

# Ericsson Antenna System Catalog 2022/2023

Together, we create  
the mobile networks of  
the future and are the  
partner of choice



**ERICSSON**

# About Ericsson Antenna System

Since 2019, Ericsson Antenna System (former Kathrein Mobile Communication) is part of Ericsson, providing a full range of high-quality products in the following areas: active-passive antennas, passive antennas, filters and combiners, tower mounted amplifiers, feeder system, and accessories. We offer a best-in-class highly integrated 5G antenna portfolio with antenna solutions for every deployment scenario and superior product quality and electrical performance. Our enhanced and optimized global supply and manufacturing capability enables us to respond to market demands quickly and resiliently.

Globally we employ around 2800 professionals from more than 25 countries, thereof more than 550 R&D experts, working in our R&D centers in Rosenheim, Germany and Plano, United States.

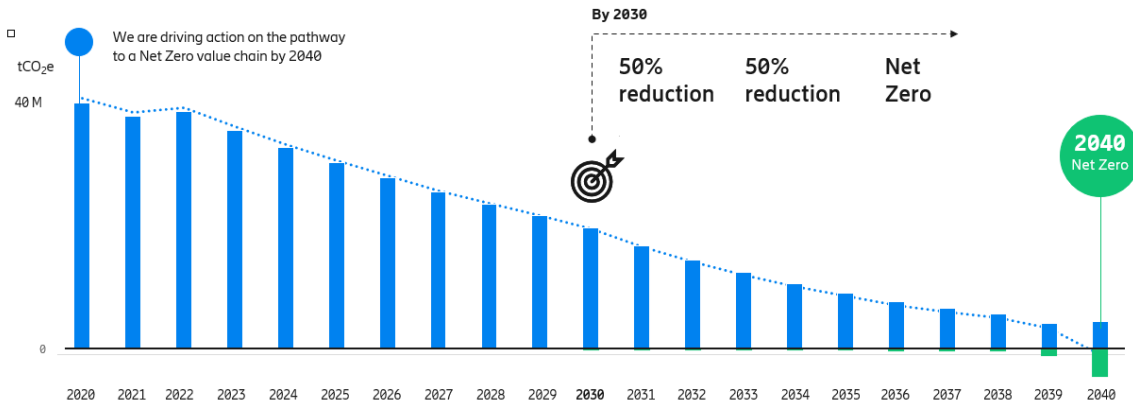
Antennas, whether passive, or active-passive, are our passion. The antenna system is an integral part and one of the most crucial areas in a radio access network, impacting the effectiveness of the entire site. We relentlessly, and with great curiosity and perseverance, work on the future technologies antennas, antenna line devices, antenna system accessories and feeder systems to support your network deployment strategy.





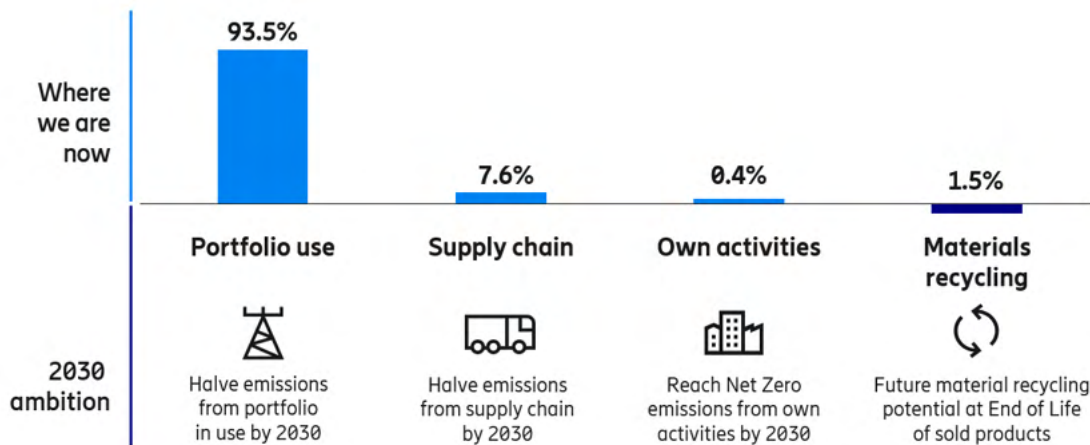
## Our impact on a sustainable future

For us, sustainability is not just a word. Reducing energy consumption and thus reducing the impact on the environment is a part of Ericsson’s strategy toward the projected Net Zero state by 2040. As important network components, antennas play a vital role in realizing this strategy. Ericsson Antenna System cultivates a circular economy approach to enhance sustainability. It means that sustainability is at the core of the entire antenna lifecycle, from sourcing materials, design and production, and transportation, to the use and disposal.



Ericsson antennas are produced from hazardous substance-free and low CO2 footprint materials. They are packaged in 99% recyclable packaging materials, including PE straps. Antennas are designed and produced based on sustainable production standards. Using low-loss radome in production enables efficiency enhancements, and the scrap reduction is achieved through increased simulation cycles and virtual prototyping.

For the antennas’ transportation, we use a sustainable transportation network and insist on rollout and carbon lean transport.



Ericsson Product Take Back Program, as a constituent part of the circular economy approach, guarantees the application of best practices in the product disposal phase. The program positively influences customers' sustainability performance and supports their cost reduction.

Read more:



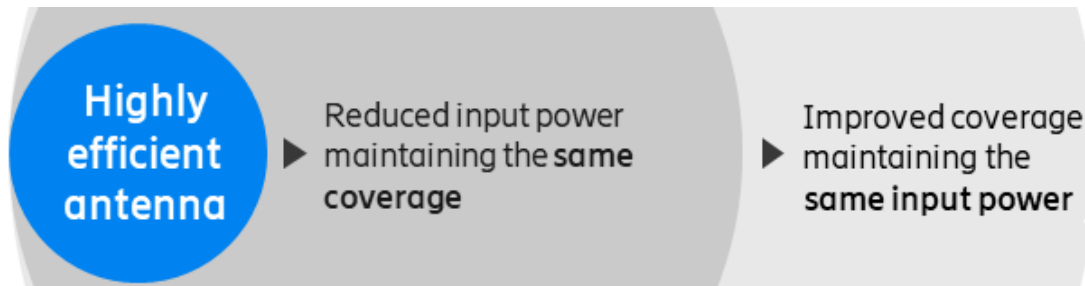
Scan or [click](#)



## Efficiency, a key indicator for a sustainable network

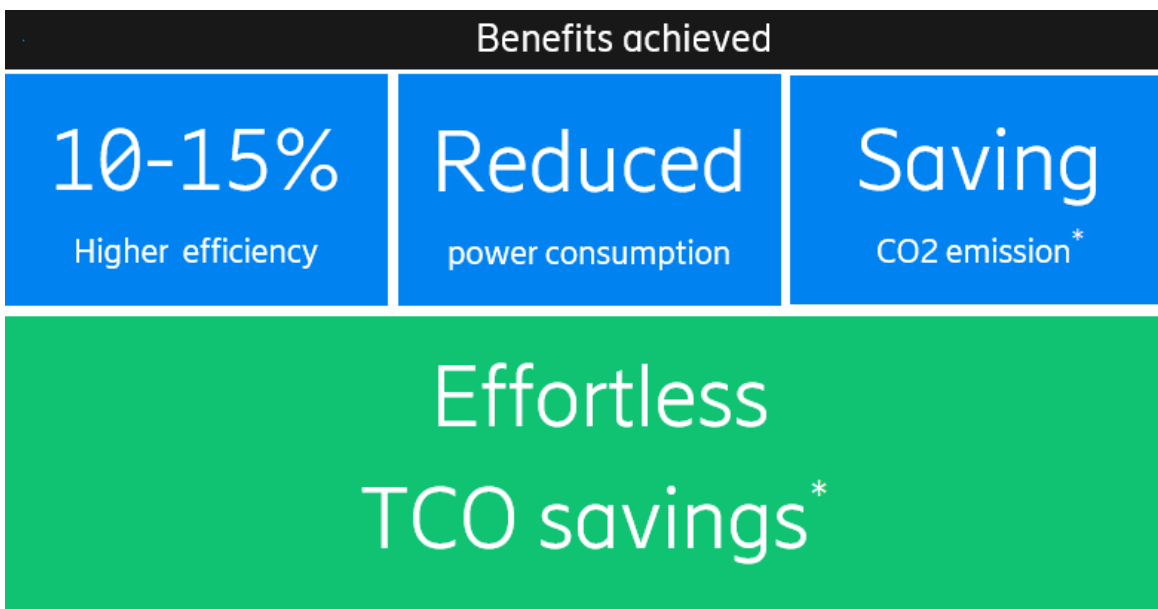
Ericsson Antenna System applies a holistic approach to the energy efficiency for site solution and, by lowering power consumption, reduces CO2 emissions, which are calculated up to 1314 kgCO2 per year per site\*.

Increasing antenna efficiency is the key step toward realizing sustainable networks, and Ericsson Antenna System tackles this from multiple perspectives, from saving energy, and improving customer experience, to reducing CAPEX and optimizing OPEX.



Our efficient antennas have the capability to maintain the same coverage with reduced input power and provide improved coverage with the same input power. A great example is the highly efficient Ericsson multiband antenna, which can save 100W per sector on radio power consumption, accounting for 10-15% higher efficiency than radios at ETSI average traffic load.

The antennas have high beam efficiency (>80%) and great side lobe suppression, which improves network SINR and leads to higher throughputs. Vertical and horizontal beamwidths and low side lobe levels, together with the antenna gain, ensure that most of the energy focuses on the main area to be covered, thus resulting in an enhanced user experience.



One of the main benefits of Ericsson Antenna System products is the ability to cover a larger area, thus increasing ISD and contributing to reduced CAPEX. At the same time, 2.0m antenna performance, similar to its larger counterparts, reduces tower rental costs resulting in optimized OPEX.

Read more:



Scan or [click](#)

\* sourced by linked document: Pursuing Relentless Efficiency, 2022

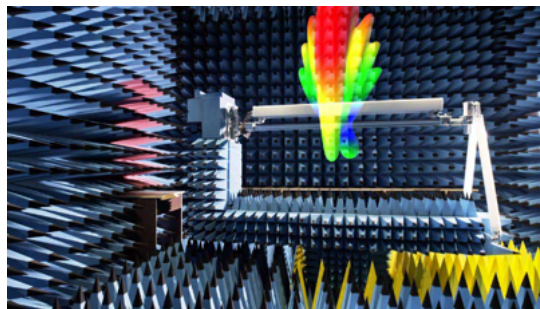
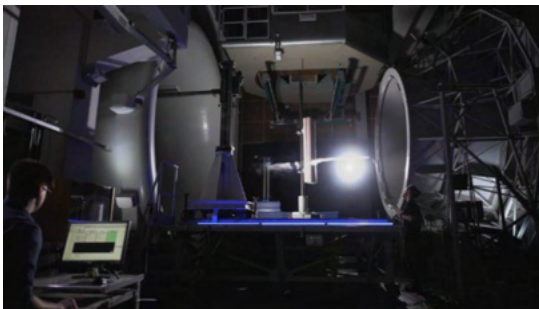




## Assure high-quality and future-proofed components

We proof our high-level performance with comprehensive tests (on material, components and products). Our antennas' high-level performance is also assured with comprehensive tests. Every component of Ericsson Antenna System is thoroughly tested in our own Test Technology Center.

The tests are used to measure how the units respond to mechanical elements, temperature, humidity, wind load, durability, water and dust ingress, sunlight and UV rays, salt mist, and toxic gases. Testing ensures that antennas can endure specific conditions they will be exposed to and withstand extreme conditions specific to the deployment area. This means that an antenna deployed in Sweden will be tested to withstand snow, extreme cold, and long periods of rain, while that same antenna aimed for deployment in Senegal will be tested for high temperatures and tropical humidity.



As one step of the testing process, antennas are tested to ensure that all the components will stay in place and functionality during transportation to their destination, even if they must be transported over rough terrain. The efficiency will also be proved after those physical impacts. Such testing often reveals different ways of packaging and securing materials for transport, which contributes to reducing waste.

Testing antennas for wind durability is one of the most important tests in the process. All Ericsson's antennas are subjected to extensive testing in the wind tunnels, and a wind load data sheet allows service providers to make informed decisions based on highly accurate test data.

Ericsson's state-of-the-art testing sets the standard for one of the most important parameters regarding antenna design and deployment – wind load.

Ericsson's antennas are placed in the wind tunnels and subjected to extensive testing from every conceivable angle, with varying strengths and directions of the wind. The testing results are presented in wind load data sheets, allowing service providers to make informed decisions based on highly accurate test data.

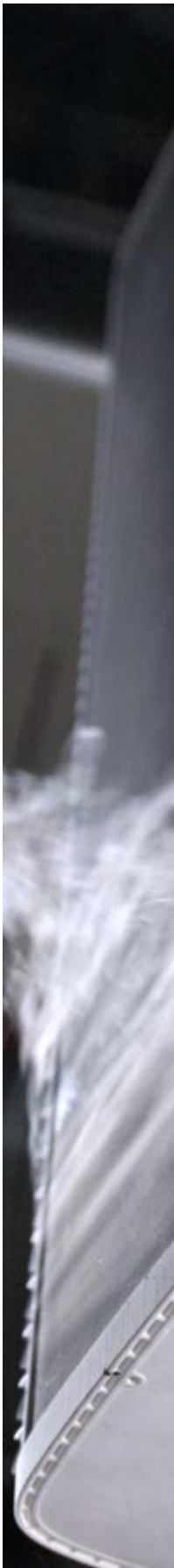
The result of such thorough tests are antennas that adhere to and often exceed the BASTA 12 recommendations, a new standard for wind load measurement and performance.

Read more:



Scan or [click](#)

Developing more energy-efficient, sustainable, and cost-effective solutions, such as Ericsson Antenna System products, and thus helping service providers reach their sustainability goals is one but important step in Ericsson's contribution to creating a sustainable future. Now, let us dive into the details of our offering.



---

|                 |  |
|-----------------|--|
| Passive Antenna | Single-Band Configuration<br>Multi-Band Configuration<br>TDD Configuration<br>Dual-Beam Configuration<br>Special Configuration |
|-----------------|--|

Passive Antenna

---

|                     |   |
|---------------------|---|
| Antenna Line Device | Multi-Band Combiner<br>Tower Mounted Amplifier<br>Spectrum Limitation Filter<br>Hybrid Combiner<br>RF Component |
|---------------------|---|

Antenna Line Device

---

|                            |                             |
|----------------------------|-----------------------------|
| Antenna System Accessories | RET<br>Mounting Accessories |
|----------------------------|-----------------------------|

Antenna System Accessories



# Passive Antenna

LB (Lowband)  $\leq 960$  MHz  
 MB (Midband)  $> 960$  MHz  
 HB (Highband)  $> 6000$  MHz

Catalog  
 Overview

|                           |                    |  |             |
|---------------------------|--------------------|--|-------------|
| Single-Band Configuration | nLB                | 1LB<br>2LB   | nLB         |
|                           | nMB                | 1MB<br>2MB<br>4MB  | nMB         |
| Multi-Band Configuration  | 1LB nMB            | 1LB   1MB<br>1LB   2MB<br>1LB   3MB<br>1LB   4MB                           | 1LB nMB     |
|                           | 2LB nMB            | 2LB   2MB<br>2LB   3MB<br>2LB   4MB<br>2LB   5MB<br>2LB   6MB<br>2LB   8MB | 2LB nMB     |
|                           | 3LB nMB            | 3LB   5MB  | 3LB nMB     |
| TDD Configuration         | nMB                | 4MB  | TDD nMB     |
|                           | 1LB nMB            | 1LB   8MB  | TDD 1LB nMB |
|                           | 2LB nMB            | 2LB   7MB<br>2LB   8MB   | TDD 2LB nMB |
| Dual-Beam Configuration   | nMB                | 2MB<br>4MB   | Dual-Beam   |
| Special Configuration     | Multi Port<br>Omni |  | Special     |

## Colour Coding and Antenna Configurations





According to AISG, the frequencies shall be marked like shown in the following table. The upper edge of the frequency range is used to select the colour code.

| Frequency Range / MHz<br>Defined by AISG | Frequency Range / MHz<br>Examples | Colour | Colour Code<br>Abbreviation |
|--|-----------------------------------|--------|-----------------------------|
| 380–1000                                 | 617–1000                          | Red    | R                           |
| 1001–1700                                | 1001–1700                         | Green  | G                           |
| 1701–2300                                | 1701–2300                         | Blue   | B                           |
| 2301–3000                                | 2301–3000                         | Yellow | Y                           |
| 3001–5000                                | 3001–5000                         | Purple | P                           |
| 5001–6000                                | 5001–6000                         | Orange | O                           |

In line with this, we have invented a system in order to better illustrate the physical design of our antennas. Based on the AISG colour coding, every antenna system is displayed corresponding to its frequency range. Each system is additionally marked by its colour code abbreviation as well as an identification number (e.g. "R1" for the first lowband system) called "Array ID". For multi-array antennas, also the position marking is indicated as stipulated by AISG ("left" / "right" / "center").

The respective symbols are displayed on each type index of panel antennas in the catalog.





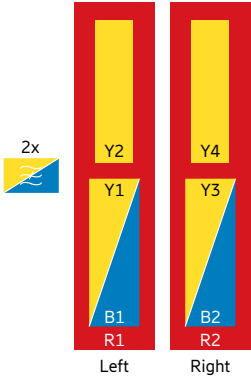
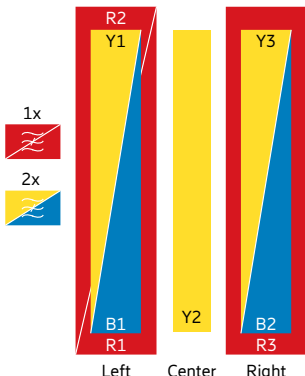
In case an ultra-broadband dipole array is used for two or three independent system, internal filters can be used in order to divide the bands. Those filters are illustrated by the following symbols:

|   |   |   |   |
|---|---|---|---|
| Filter: Lowband<br>e.g. 698–862 / 880–960 MHz or<br>698–803 / 824–960 MHz |  | Filter: Midband<br>e.g. 1695–1880 / 1920–2170 MHz |  |
| Filter: Midband<br>e.g. 1710–2170 / 2490–2690 MHz                         |  | Filter: L-Band<br>e.g. 1427–1518 / 1695–2180 MHz  |  |



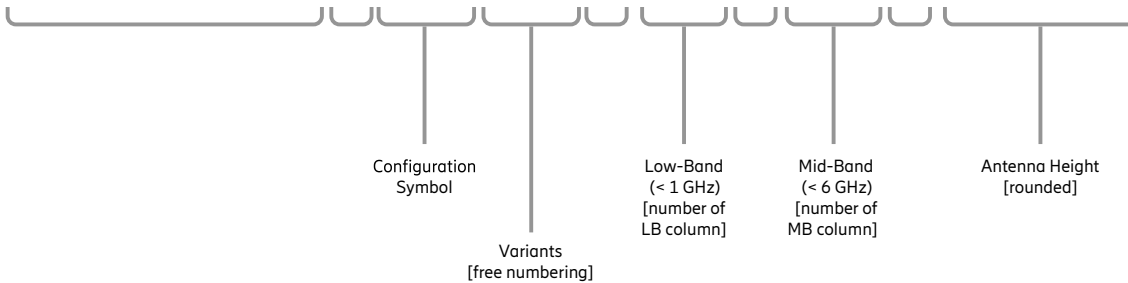
## Colour Coding and Antenna Configurations

Some examples shall demonstrate the symbolic antenna illustration:

|   |   |
|---|---|
| <p>1 Lowband Array</p> <p>e.g. 698–960 or 790–960 MHz</p>    | <p>1 Lowband / 1 Midband Array interleaved</p> <p>e.g. 698–960 / 1710–2690 or 790–960 / 1710–2690 MHz</p>    |
| <p>2 Midband Arrays side-by-side ("multi-array")</p> <p>e.g. 2x 1695–2690 or 2x 1710–2690 MHz</p>   | <p>2 Lowband Arrays interleaved with 2 Midband Arrays stacked</p> <p>e.g. 2x 698–960 / 4x 1695–2690 or 2x 698–894 / 4x 1695–2360 MHz</p>    |
| <p>2 Lowband Arrays interleaved with 4 Midband Arrays stacked, 2 filtered</p> <p>e.g. 2x 698–960 / 2x 1695–2690 / 2x 1427–2180 / 2x 2490–2690 MHz</p>  | <p>2 Lowband Arrays, 1 filtered, 3 Midband Arrays, 2 interleaved filtered</p> <p>e.g. 1x 698–862 / 1x 880–960 / 1x 698–960 / 2x 1427–2170 / 2x 2500–2690 / 1x 1710–2690 MHz</p>  |

# Product Naming Passive Antenna

# Antenna 4202 2L 4M 2.0m



# Antenna XXyy nL nM 2.0m

## Passive Antenna Configurations:

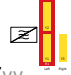

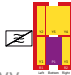
|                            |                     |                  |                  |                  |                  |
|----------------------------|---------------------|------------------|------------------|------------------|------------------|
| Single-Band one column     | 10 <sub>yy</sub>    | 11 <sub>yy</sub> | 12 <sub>yy</sub> | 13 <sub>yy</sub> | 14 <sub>yy</sub> |
| Single-Band more columns   | 20 <sub>yy</sub>    | 21 <sub>yy</sub> | 22 <sub>yy</sub> | 23 <sub>yy</sub> | 24 <sub>yy</sub> |
| Multi-Band 1LB columns nMB | 30 <sub>yy</sub>    | 31 <sub>yy</sub> | 32 <sub>yy</sub> | 33 <sub>yy</sub> | 34 <sub>yy</sub> |
| Multi-Band 2LB columns nMB | 40 <sub>yy</sub>    | 41 <sub>yy</sub> | 42 <sub>yy</sub> | 43 <sub>yy</sub> | 44 <sub>yy</sub> |
| Multi-Band 2LB columns nMB | 50 <sub>yy</sub>    | 51 <sub>yy</sub> | 52 <sub>yy</sub> | 53 <sub>yy</sub> | 54 <sub>yy</sub> |
| Multi-Band with TDD        | 60 <sub>yy</sub>    | 61 <sub>yy</sub> | 62 <sub>yy</sub> | 63 <sub>yy</sub> | 64 <sub>yy</sub> |
| Multi-Band with TDD        | 70 <sub>yy</sub>    | 71 <sub>yy</sub> | 72 <sub>yy</sub> | 73 <sub>yy</sub> | 74 <sub>yy</sub> |
| N.N.                       | 80 <sub>yy</sub>    |                  |                  |                  |                  |
| Special Configurations     | LogPer, Omni, ..... |                  |                  |                  |                  |
|                            | 90 <sub>yy</sub>    |                  |                  |                  |                  |


Antennas with filtered columns




# Product Naming Passive Antenna

## Passive Antenna Configurations:


|  |   |   |   |  |                               |
|--|---|---|---|--|-------------------------------|
|  |   |   |   |  | Single-Band<br>one column     |
| 25yy  | 26yy   |   |   |  | Single-Band<br>more columns   |
| 35yy  | 36yy   | 37yy   | 38yy   | 39yy  | Multi-Band<br>1LB columns nMB |
| 45yy  | 46yy   | 47yy   | 48yy   | 49yy  | Multi-Band<br>2LB columns nMB |
| 55yy  | 56yy   | 57yy   |   |  | Multi-Band<br>2LB columns nMB |
| 65yy  | 66yy  or  | 67yy  or  | 68yy   | 69yy  | Multi-Band<br>with TDD        |
| 75yy  | 76yy   | 77yy   | 78yy  or  |  | Multi-Band<br>with TDD        |
|  |   |   |   |  | N.N.                          |
|  |   |   |   |  | Special<br>Configurations     |


 Antennas with filtered columns


# Antenna Configuration Types


| Page                                    |                    | 2 Port  |
|---|--------------------|---|
| <b>Configuration Type 10xx</b>          |                    |   |
| <a href="#">Antenna 1001 1L 0M 2.3m</a> | <a href="#">19</a> |  |
| <a href="#">Antenna 1000 1L 0M 2.3m</a> | <a href="#">22</a> |   |
| <a href="#">Antenna 1000 1L 0M 2.6m</a> | <a href="#">25</a> |   |
| <a href="#">Antenna 1002 1L 0M 2.4m</a> | <a href="#">28</a> |   |


| Page                                    |                    | 2 Port  |
|---|--------------------|---|
| <b>Configuration Type 12xx</b>          |                    |   |
| <a href="#">Antenna 1200 0L 1M 1.5m</a> | <a href="#">52</a> |  |
| <a href="#">Antenna 1201 0L 1M 1.3m</a> | <a href="#">55</a> |   |
| <a href="#">Antenna 1200 0L 1M 0.3m</a> | <a href="#">58</a> |   |


| Page                                    |                    | 4 Port   |
|---|--------------------|--|
| <b>Configuration Type 20xx</b>          |                    |  |
| <a href="#">Antenna 2000 2L 0M 1.4m</a> | <a href="#">31</a> |  |
| <a href="#">Antenna 2000 2L 0M 2.0m</a> | <a href="#">34</a> |  |
| <a href="#">Antenna 2000 2L 0M 2.4m</a> | <a href="#">37</a> |  |
| <a href="#">Antenna 2001 2L 0M 2.0m</a> | <a href="#">41</a> |  |
| <a href="#">Antenna 2001 2L 0M 2.6m</a> | <a href="#">45</a> |  |
| <a href="#">Antenna 2002 2L 0M 2.5m</a> | <a href="#">48</a> |  |


| Page                                    |                     | 4 Port  |
|---|---------------------|---|
| <b>Configuration Type 22xx</b>          |                     |   |
| <a href="#">Antenna 2200 0L 2M 1.5m</a> | <a href="#">61</a>  |  |
| <a href="#">Antenna 2200 0L 2M 0.9m</a> | <a href="#">69</a>  |   |
| <a href="#">Antenna 2200 0L 2M 1.3m</a> | <a href="#">72</a>  |   |
| <a href="#">Antenna 2201 0L 2M 1.7m</a> | <a href="#">75</a>  |   |
| <a href="#">Antenna 2282 0L 2M 1.1m</a> | <a href="#">441</a> |   |


| Page                                    |                     | 8 Port  |
|---|---------------------|---|
| <b>Configuration Type 24xx</b>          |                     |   |
| <a href="#">Antenna 2401 0L 4M 1.2m</a> | <a href="#">79</a>  |  |
| <a href="#">Antenna 2600 0L 4M 1.5m</a> | <a href="#">390</a> |   |

| Page                                    |                     | 8 Port  |
|---|---------------------|---|
| <b>Configuration Type 24xx</b>          |                     |   |
| <a href="#">Antenna 2480 0L 4M 1.8m</a> | <a href="#">444</a> |  |
| <a href="#">Antenna 2480 0L 4M 2.0m</a> | <a href="#">449</a> |   |

| Page                                    |                    | 4 Port  |
|---|--------------------|---|
| <b>Configuration Type 25xx</b>          |                    |   |
| <a href="#">Antenna 2500 0L 2M 1.0m</a> | <a href="#">65</a> |  |

| Page                                    |                     | 8 Port   |
|---|---------------------|--|
| <b>Configuration Type 26xx</b>          |                     |  |
| <a href="#">Antenna 2602 0L 4M 0.9m</a> | <a href="#">395</a> |  |

| Page                                    |                     | 2 Port  |
|---|---------------------|---|
| <b>Configuration Type 26xx</b>          |                     |   |
| <a href="#">Antenna 2603 0L 4M 0.9m</a> | <a href="#">401</a> |  |

| Page                                    |                     | 4 Port  |
|---|---------------------|---|
| <b>Configuration Type 30xx</b>          |                     |   |
| <a href="#">Antenna 3000 1L 1M 2.0m</a> | <a href="#">85</a>  |  |
| <a href="#">Antenna 3000 1L 1M 0.6m</a> | <a href="#">89</a>  |   |
| <a href="#">Antenna 3000 1L 1M 1.4m</a> | <a href="#">93</a>  |   |
| <a href="#">Antenna 3001 1L 1M 0.3m</a> | <a href="#">97</a>  |   |
| <a href="#">Antenna 3000 1L 1M 2.6m</a> | <a href="#">100</a> |   |

# Antenna Configuration Types

Page

## Configuration Type 30xx

[Antenna 3002 1L 1M 2.6m](#) [104](#)

4 Port



Page

## Configuration Type 38xx

[Antenna 3802 1L 4M 2.0m](#) [152](#)

10 Port



## Configuration Type 34xx

[Antenna 3400 1L 2M 1.9m](#) [108](#)

[Antenna 3400 1L 2M 1.4m](#) [118](#)

[Antenna 3402 1L 2M 1.5m](#) [128](#)

[Antenna 3400 1L 2M 2.4m](#) [132](#)

6 Port



## Configuration Type 38xx

[Antenna 3803 1L 4M 2.7m](#) [158](#)

10 Port



## Configuration Type 34xx

[Antenna 3402 1L 2M 1.9m](#) [113](#)

[Antenna 3402 1L 2M 1.4m](#) [123](#)

[Antenna 3402 1L 2M 2.7m](#) [137](#)

6 Port



## Configuration Type 38xx

[Antenna 3890 1L 4M 2.7m](#) [164](#)

10 Port



## Configuration Type 36xx

[Antenna 3601 1L 3M 1.5m](#) [142](#)

8 Port



## Configuration Type 40xx

[Antenna 4000 2L 2M 1.5m](#) [172](#)

[Antenna 4000 2L 2M 2.0m](#) [177](#)

[Antenna 4006 2L 2M 1.5m](#) [182](#)

[Antenna 4006 2L 2M 2.0m](#) [187](#)

[Antenna 4002 2L 2M 2.0m](#) [192](#)

[Antenna 4000 2L 2M 1.8m](#) [197](#)

[Antenna 4000 2L 2M 2.4m](#) [202](#)

[Antenna 4001 2L 2M 2.4m](#) [207](#)

[Antenna 4002 2L 2M 2.4m](#) [212](#)

[Antenna 4002 2L 2M 2.6m](#) [217](#)

[Antenna 4003 2L 2M 2.4m](#) [222](#)

[Antenna 4004 2L 2M 1.5m](#) [227](#)

[Antenna 4004 2L 2M 1.8m](#) [232](#)

[Antenna 4004 2L 2M 2.6m](#) [237](#)

8 Port



## Configuration Type 36xx

[Antenna 3601 1L 3M 2.7m](#) [147](#)

8 Port



# Antenna Configuration Types

| Page                                    |                     | 12 Port |
|---|---------------------|---------|
| <b>Configuration Type 42xx</b>          |                     |         |
| <a href="#">Antenna 4200 2L 4M 2.0m</a> | <a href="#">254</a> |         |
| <a href="#">Antenna 4207 2L 4M 2.0m</a> | <a href="#">260</a> |         |
| <a href="#">Antenna 4200 2L 4M 2.4m</a> | <a href="#">284</a> |         |
| <a href="#">Antenna 4202 2L 4M 2.0m</a> | <a href="#">290</a> |         |
| <a href="#">Antenna 4202 2L 4M 2.6m</a> | <a href="#">296</a> |         |
| <a href="#">Antenna 4200 2L 4M 2.7m</a> | <a href="#">302</a> |         |
| <a href="#">Antenna 4207 2L 4M 2.6m</a> | <a href="#">308</a> |         |

| Page                                    |                     | 16 Port |
|---|---------------------|---------|
| <b>Configuration Type 43xx</b>          |                     |         |
| <a href="#">Antenna 4300 2L 6M 2.6m</a> | <a href="#">362</a> |         |
| <a href="#">Antenna 4800 2L 4M 1.5m</a> | <a href="#">266</a> |         |
| <a href="#">Antenna 4805 2L 4M 1.5m</a> | <a href="#">272</a> |         |
| <a href="#">Antenna 4800 2L 4M 2.0m</a> | <a href="#">278</a> |         |
| <a href="#">Antenna 4800 2L 4M 1.8m</a> | <a href="#">314</a> |         |
| <a href="#">Antenna 4800 2L 4M 2.4m</a> | <a href="#">320</a> |         |
| <a href="#">Antenna 4800 2L 4M 2.6m</a> | <a href="#">326</a> |         |
| <a href="#">Antenna 4801 2L 4M 2.4m</a> | <a href="#">332</a> |         |
| <a href="#">Antenna 4802 2L 4M 1.5m</a> | <a href="#">338</a> |         |

| Page                                    |                     | 10 Port |
|---|---------------------|---------|
| <b>Configuration Type 44xx</b>          |                     |         |
| <a href="#">Antenna 4400 2L 3M 1.5m</a> | <a href="#">242</a> |         |
| <a href="#">Antenna 4401 2L 3M 2.0m</a> | <a href="#">248</a> |         |

| Page                                    |                     | 14 Port |
|---|---------------------|---------|
| <b>Configuration Type 45xx</b>          |                     |         |
| <a href="#">Antenna 4500 2L 5M 2.0m</a> | <a href="#">344</a> |         |
| <a href="#">Antenna 4900 2L 6M 1.5m</a> | <a href="#">356</a> |         |

| Page                                    |                     | 16 Port |
|---|---------------------|---------|
| <b>Configuration Type 45xx</b>          |                     |         |
| <a href="#">Antenna 4500 3L 5M 2.0m</a> | <a href="#">383</a> |         |
| <a href="#">Antenna 5500 2L 8M 2.0m</a> | <a href="#">375</a> |         |

| Page                                    |                     | 16 Port |
|---|---------------------|---------|
| <b>Configuration Type 46xx</b>          |                     |         |
| <a href="#">Antenna 4600 2L 6M 2.6m</a> | <a href="#">350</a> |         |
| <a href="#">Antenna 4600 2L 6M 2.0m</a> | <a href="#">368</a> |         |

| Page                                    |                     | 12 Port |
|---|---------------------|---------|
| <b>Configuration Type 48xx</b>          |                     |         |
| <a href="#">Antenna 4800 2L 4M 1.5m</a> | <a href="#">266</a> |         |
| <a href="#">Antenna 4805 2L 4M 1.5m</a> | <a href="#">272</a> |         |
| <a href="#">Antenna 4800 2L 4M 2.0m</a> | <a href="#">278</a> |         |
| <a href="#">Antenna 4800 2L 4M 1.8m</a> | <a href="#">314</a> |         |
| <a href="#">Antenna 4800 2L 4M 2.4m</a> | <a href="#">320</a> |         |
| <a href="#">Antenna 4800 2L 4M 2.6m</a> | <a href="#">326</a> |         |
| <a href="#">Antenna 4801 2L 4M 2.4m</a> | <a href="#">332</a> |         |
| <a href="#">Antenna 4802 2L 4M 1.5m</a> | <a href="#">338</a> |         |

| Page                                    |                     | 16 Port |
|---|---------------------|---------|
| <b>Configuration Type 49xx</b>          |                     |         |
| <a href="#">Antenna 4900 2L 6M 1.5m</a> | <a href="#">356</a> |         |
| <a href="#">Antenna 5500 2L 8M 2.0m</a> | <a href="#">375</a> |         |

| Page                                    |                     | 20 Port |
|---|---------------------|---------|
| <b>Configuration Type 55xx</b>          |                     |         |
| <a href="#">Antenna 5500 2L 8M 2.0m</a> | <a href="#">375</a> |         |
| <a href="#">Antenna 5600 1L 8M 2.0m</a> | <a href="#">408</a> |         |

| Page                                    |                     | 12 Port |
|---|---------------------|---------|
| <b>Configuration Type 56xx</b>          |                     |         |
| <a href="#">Antenna 5600 1L 8M 2.0m</a> | <a href="#">408</a> |         |
| <a href="#">Antenna 5600 1L 8M 2.0m</a> | <a href="#">408</a> |         |

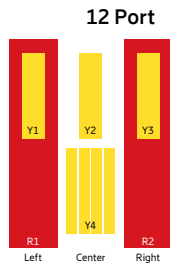


# Antenna Configuration Types

Page

## Configuration Type 57xx

[Antenna 5700 2L 7M 2.0](#) [420](#)



Page

## Configuration Type 90xx Multi Port

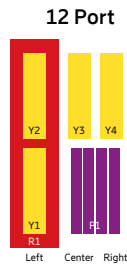
[Antenna 9003 1LM 0.43m](#) [466](#)  
[Antenna 9005 0L 4M](#) [468](#)  
[Antenna 9012 1LM](#) [470](#)  
[Antenna 9014 2L 4M 0.5m](#) [472](#)  
[Antenna 9000 1LM](#) [478](#)  
[Antenna 9008 1LM](#) [481](#)  
[Antenna 9011 1LM](#) [484](#)

## Configuration Type 90xx Omni

[Antenna 9002 0L 1M 0.11m](#) [487](#)  
[Antenna 9002 1LM 0.2m](#) [489](#)  
[Antenna 9002 0L 1M 0.7m](#) [491](#)

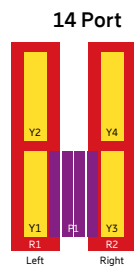
## Configuration Type 60xx

[Antenna 6001 1L 8M 1.4m](#) [414](#)



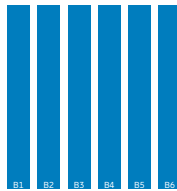
## Configuration Type 66xx

[Antenna 6600 2L 8M 2.0m](#) [426](#)  
[Antenna 6600 2L 8M 2.6m](#) [433](#)



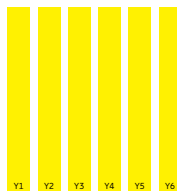
## Configuration Type 90xx Multi Port

[Antenna 9009 0L 6M 0.4m](#) [454](#)



## Configuration Type 90xx Multi Port

[Antenna 9010 0L 6M 0.4m](#) [460](#)



## Antenna Designs: Antenna Families / RET-system Distinguishing Features

|   |  |
|---|--|
| <b>Design</b>   | Compact size and elegant design are the distinguishing features of the Ericsson antenna families.  |
| <b>Radome</b>   | The radomes covers the internal antenna components. The fiberglass material guarantees optimum performance regarding stability, strength, UV resistance, painting, and weather protection.<br>The radome colour of the outdoor panel antennas is similar to RAL 7035.  |
| <b>Environmental influences</b>   | Ericsson antenna designs are based on fundamental engineering knowledge and also on our decades of practical experience, during which the various constructions and materials used have proved their outstanding reliability.  |
| <b>Environmental conditions</b>   | Our cellular antennas are designed to operate under the environmental conditions as described in ETS 300 019-1-4 class 4.1 E.<br>The antennas exceed this standard regarding the following items:<br>– Low temperature: $-55\text{ }^{\circ}\text{C}$<br>– High temperature (dry): $+60\text{ }^{\circ}\text{C}$<br>For antennas equipped with FlexRET: The electrical downtilt adjusting is designed to operate under the environmental conditions as described in the valid data sheet of the FlexRET.<br>Ice protection: Due to the very sturdy antenna construction and the protection of the radiating system by the radome, the antenna remains operational even under icy conditions. |
| <b>Environmental tests</b>  | Ericsson antennas are designed according to the specifications as defined in ETS 300 019-2-4. Extensive tests have been performed on typical samples and modules. The vibration test has been adapted relating to frequency and acceleration to the conditions of mast mounted antennas.   |
| <b>Impedance</b>  | Standard Impedance for all products is $50\ \Omega$ unless otherwise stated.   |
| <b>Low intermodulation products (typ. <math>&lt;-153\text{ dBc}</math>)</b> | With many years of experience in the construction of antennas and intensive research into the effects of intermodulation, we offer optimized material and technology used for antennas (the given value refers to 3rd order products measured with 2 carriers of 20 W each).   |
| <b>Excellent tracking</b>   | Tracking states the symmetry between the $+45^{\circ}$ and $-45^{\circ}$ polarized horizontal pattern. Bad tracking values lead to interferences in the network and reduced diversity performance. The special Tracking compensation reduces the average value measured at $\pm 60^{\circ}$ to $< 2-3\text{ dB}$ .   |

## Antenna Designs: Antenna Families / RET-system Distinguishing Features

|  |  |
|--|--|
| <b>Multi-array design</b>                            | Besides standard single array antennas, Ericsson designs antennas providing multiple antenna arrays in one radome. These multi-array antennas do not only supply a future-proof multiplicity of diverse frequency bands for various technologies but are also well-prepared for different MIMO and beamforming applications. Our portfolio contains a high variety of design solutions like interleaved and side-by-side antenna types or combinations of both as well as filter realizations.                               |
| <b>Multi-functional installation hardware</b>        | Depending on the type, the antennas are equipped with up to 2 attachment points. For mast-mounting, brackets, mechanical down tilt kits and various other mounting material are available.   |
| <b>MTBF Statement</b>                                | Traditionally, passive components like antennas cannot be well calculated due to the lack of a sufficient number of components in the MTBF library. Unfortunately, this constraint results in a very inaccurate calculation. Thus, such results are technically questionable and unrealistic. In essence, antennas are made from mechanical parts that do not show any failure rates. Only available failure rates can be calculated into an MTBF value. Consequently, such components cannot be listed in any MTBF library. |
| <b>Remote Electrical Tilt System AISG Compliancy</b> | Ericsson Antenna System hereby states that RET devices, as far as the functionality and features are described within the AISG / 3GPP standard, are compliant with the standard.   |
| <b>NGMN-P-BASTA</b>                                  | All antennas which are measured according to the specifications given in NGMN-P-BASTA White Paper Version 9.6/10.0 and 11.1 are clearly marked in the data sheet. The latest data sheets can be found on our website.  |
| <b>RET RFID Functionality</b>                        | Ericsson Antenna System latest RET units are equipped with an internal RFID reader. Most of our antennas are equipped with RFID tags. With this, all relevant antenna data can automatically be read out by the RET. Further information as well as an up-to-date list of the antennas can be found on our website. The according data sheets are marked by an RFID sign.  |
| <b>4.3-10 Connectors</b>                             | Partly, latest products are equipped with 4.3-10 connectors.<br>The advantages of this connector are: <ul style="list-style-type: none"> <li>• Reduced dimensions on the bottom plate for more installation space</li> <li>• Improved PIM stability and performance</li> <li>• Easier installation, lower tightening torque</li> </ul> <p>The universal 4.3-10 jack can be used with 3 different connector types (screw type, push-pull type and hand screw type).</p>   |

# Single-Band Configuration nLB

Capacity

Compact

Coverage

| Product Name<br>Product No.                      | Frequency MHz | HPBW ° | Gain dBi | Tilt °  | Connector type | Page               | 3C |
|--|---------------|--------|----------|---------|----------------|--------------------|----|
| <b>1x Lowband</b>                                |               |        |          |         |                |                    |    |
| Antenna 1001 1L 0M 2.3m<br>80010456V02           | 1x 790–960    | 30     | 20.5     | 0.5–10  | 7-16           | <a href="#">19</a> |    |
| Antenna 1000 1L 0M 2.3m<br>80010305V02           | 1x 790–960    | 65     | 17.5     | 0–8     | 7-16           | <a href="#">22</a> |    |
| Antenna 1000 1L 0M 2.6m<br>80010306V02           | 1x 790–960    | 65     | 17.5     | 0.5–9.5 | 7-16           | <a href="#">25</a> |    |
| Antenna 1002 1L 0M 2.4m<br>KRE 101 2411/1        | 1x 690–960    | 65     | 16.0     | 0–10    | 4.3-10         | <a href="#">28</a> |    |
| <b>2x Lowband</b>                                |               |        |          |         |                |                    |    |
| <b>Antenna 2000 2L 0M 1.4m</b><br>KRE 101 2493/1 | 2x 698–960    | 65     | 14.0     | 2–16    | 4.3-10         | <a href="#">31</a> |    |
| Antenna 2000 2L 0M 2.0m<br>KRE 101 2451/1        | 2x 698–960    | 65     | 15.5     | 0–10    | 4.3-10         | <a href="#">34</a> |    |
| Antenna 2000 2L 0M 2.4m<br>80010902              | 2x 698–960    | 65     | 16.5     | 1–10    | 4.3-10         | <a href="#">37</a> |    |
| Antenna 2001 2L 0M 2.0m<br>80010901              | 2x 698–960    | 65     | 15.5     | 2–12    | 4.3-10         | <a href="#">41</a> |    |
| Antenna 2001 2L 0M 2.6m<br>80010817              | 2x 790–960    | 90     | 16.0     | 0–8     | 7-16           | <a href="#">45</a> |    |
| Antenna 2002 2L 0M 2.5m<br>KRE 101 2412/1        | 2x 698–960    | 65     | 16.5     | 0–10    | 4.3-10         | <a href="#">48</a> |    |

[New product](#)



# Antenna 1001 1L 0M 2.3m

80010456V02

Capacity

Compact

Coverage

30° | 790–960 MHz | 20.5 dBi

Electrical downtilt set by hand or by optional RCU (Remote Control Unit)



[ericsson.com/antenna-system](https://ericsson.com/antenna-system)



Scan or [click](#)



| Lowband  |          | R1                                     |  |  |
|--|----------|--|--|--|
| Frequency range  | MHz      | 790 – 862                              | 824 – 894                              | 880 – 960                              |
| Polarization   | °        | +45, -45                               | +45, -45                               | +45, -45                               |
| Gain at 0° T   | dBi      | 2 x 20.0                               | 2 x 20.2                               | 2 x 20.5                               |
| <b>Horizontal Pattern:</b>                                 |          |  |  |  |
| Half-power beam width                                      | °        | 33                                     | 32                                     | 30                                     |
| Front-to-back ratio, copolar                               | dB       | > 28                                   | > 29                                   | > 30                                   |
| Cross polar ratio<br>Maindirection                         | θ° dB    | Typically: 25                          | Typically: 23                          | Typically: 20                          |
| Tracking, Avg.   | dB       | 2.5                                    |  |  |
| Squint   | °        | ±2.0                                   |  |  |
| <b>Vertical Pattern:</b>                                   |          |  |  |  |
| Half-power beam width                                      | °        | 9.1                                    | 8.8                                    | 8.5                                    |
| Electrical tilt  | °        | 0.5 – 10, continuously adjustable      |  |  |
| Sidelobe suppression for first<br>sidelobe above main beam | °T<br>dB | 0.5 ... 5 ... 10<br>> 16 ... 13 ... 13 | 0.5 ... 5 ... 10<br>> 18 ... 18 ... 17 | 0.5 ... 5 ... 10<br>> 18 ... 16 ... 15 |
| Impedance  | Ω        | 50                                     |  |  |
| VSWR   |          | < 1.5                                  |  |  |
| Isolation, between ports                                   | dB       | > 30                                   |  |  |
| Intermodulation IM3  | dBc      | < -150 (2 x 43 dBm carrier)            |  |  |
| Max. power per input                                       | W        | 500 (at 50 °C ambient temperature)     |  |  |

## Mechanical specifications

|  |              |   |  |
|--|--------------|---|--|
| Input  |              | 2x 7-16 female  |  |
| Connector position                           |              | Rearside  |  |
| Adjustment mechanism                         |              | 1x, Position bottom<br>continuously adjustable                            |  |
| Wind load (at Rated<br>Wind Speed: 150 km/h) | N   lbf      | Frontal: 1415   318<br>Maximal: 1555   350                                |  |
| Max. wind velocity                           | km/h<br>mph  | 200<br>124  |  |
| Height/width/depth                           | mm<br>inches | 2254 / 576 / 99<br>88.7 / 22.7 / 3.9                                      |  |
| Category of mounting hardware                |              | H (Heavy)   |  |
| Weight                                       | kg<br>lb     | 22 / 24 (clamps incl.)<br>48.5 / 52.9 (clamps incl.)                      |  |
| Packing size                                 | mm<br>inches | 2500 x 600 x 150<br>98.4 x 23.6 x 5.9                                     |  |
| Scope of supply                              |              | Panel and 2 units of clamps<br>for 42–115 mm  <br>1.7–4.5 inches diameter |  |

## Accessories (order separately if required)

| Product No. | Description    | Remarks<br>mm   inches            | Units per antenna |
|-------------|----------------|-----------------------------------|-------------------|
| 85010002    | 1 clamp        | Mast diameter: 110–220   4.3–8.7  | 2                 |
| 85010003    | 1 clamp        | Mast diameter: 210–380   8.3–15.0 | 2                 |
| 85010009    | 1 downtilt kit | Downtilt angle: 0°–10°            | 1                 |

## Accessories (included in the scope of supply)

| Product No. | Description | Remarks<br>mm   inches          | Units per antenna |
|-------------|-------------|---------------------------------|-------------------|
| 738546      | 1 clamp     | Mast diameter: 42–115   1.7–4.5 | 2                 |

For downtilt mounting use the clamps for an appropriate mast diameter together with the downtilt kit.

### Material:

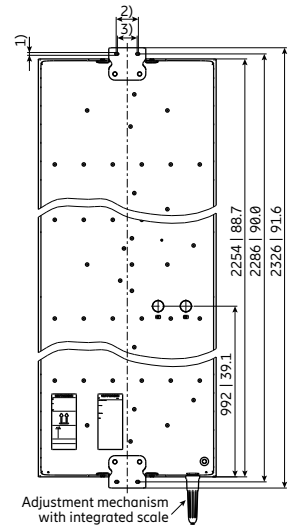
**Reflector screen:** Weather-proof aluminum.

**Fiberglass radome:** The grey fiberglass radomes of these antennas are very stable and extraordinarily stiff. They are resistant to ultraviolet radiation and can also be painted to match their surroundings.

**All screws and nuts:** Stainless steel.

### Grounding:

The metal parts of the antenna including the mounting kit and the inner conductors are DC grounded.

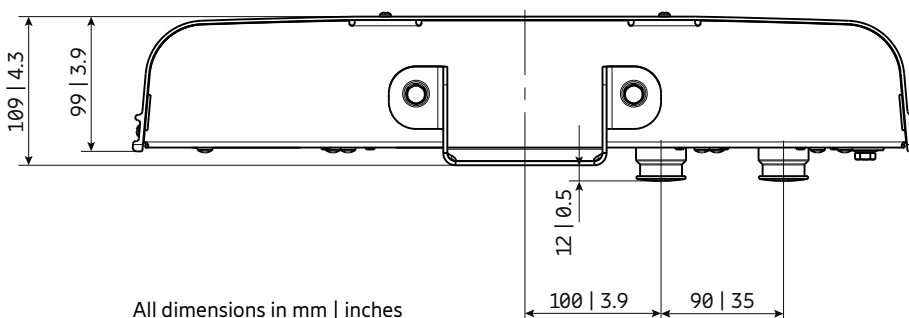


1) 9 | 0.4  
2) 72 | 2.8  
3) 64 | 2.5

All dimensions in mm | inches



## Layout of interface



All dimensions in mm | inches



# Antenna 1000 1L 0M 2.3m

80010305V02

Capacity

Compact

Coverage

65° | 790–960 MHz | 17.5 dBi

Electrical downtilt set by hand or by optional RCU (Remote Control Unit)



[ericsson.com/antenna-system](https://ericsson.com/antenna-system)



Scan or [click](#)

| Lowband  |            | R1   |  |  |
|--|------------|--|--|--|
| Frequency range  | MHz        | 790 – 862  | 824 – 894                                      | 880 – 960                                      |
| Polarization   | °          | +45, –45   | +45, –45                                       | +45, –45                                       |
| Average gain   | dBi        | 16.8 ... 17.0 ... 16.7   | 16.9 ... 17.1 ... 16.9                         | 17.2 ... 17.4 ... 17.0                         |
| Tilt   | °          | 0 ... 4 ... 8  | 0 ... 4 ... 8                                  | 0 ... 4 ... 8                                  |
| <b>Horizontal Pattern:</b>   |            |  |  |  |
| Half-power beam width  | °          | 69   | 67   | 65   |
| Front-to-back ratio, copolar   | dB         | > 25   | > 25   | > 25   |
| Cross polar ratio<br>Maindirection<br>Sector                             | 0°<br>±60° | Typically: 25<br>Typically: > 10   | Typically: 25<br>Typically: > 10               | Typically: 25<br>Typically: > 10               |
| Tracking, Avg.   | dB         | 0.5  |  |  |
| Squint   | °          | ±2.5   |  |  |
| <b>Vertical Pattern:</b>   |            |  |  |  |
| Half-power beam width  | °          | 9.1  | 8.8  | 8.5  |
| Electrical tilt  | °          | 0 – 8, continuously adjustable   |  |  |
| Sidelobe suppression for first<br>sidelobe above main beam               | °T<br>dB   | 0 ... 2 ... 4 ... 8<br>18 ... 18 ... 18 ... 16                           | 0 ... 2 ... 4 ... 8<br>18 ... 18 ... 18 ... 16 | 0 ... 2 ... 4 ... 8<br>20 ... 18 ... 17 ... 15 |
| Impedance  | Ω          | 50   |  |  |
| VSWR   |            | < 1.5  |  |  |
| Isolation, between ports   | dB         | > 30   |  |  |
| Intermodulation IM3  | dBc        | < –150 (2 x 43 dBm carrier)  |  |  |
| Max. effective power per port<br>Max. effective power for the<br>antenna | W          | 400 (at 50 °C ambient temperature)<br>800 (at 50 °C ambient temperature) |  |  |

## Mechanical specifications

|  |   |  |
|--|---|--|
| Input  | 2 x 7-16 female   |  |
| Connector position                           | Rearside  |  |
| Adjustment mechanism                         | 1x, Position bottom<br>continuously adjustable                              |  |
| Wind load (at Rated<br>Wind Speed: 150 km/h) | N   lbf   | Frontal: 770   173<br>Maximal: 845   190                 |
| Max. wind velocity                           | km/h<br>mph   | 200<br>124   |
| Height/width/depth                           | mm<br>inches  | 2254 / 259 / 99<br>88.7 / 10.2 / 3.9                     |
| Category of mounting hardware                | M (Medium)  |  |
| Weight                                       | kg<br>lb  | 11.5 / 13.5 (clamps incl.)<br>25.4 / 29.8 (clamps incl.) |
| Packing size                                 | mm<br>inches  | 2536 x 272 x 147<br>99.8 x 10.7 x 3.9                    |
| Scope of supply                              | Panel and 2 units of clamps<br>for 42 – 115 mm  <br>1.7–4.5 inches diameter |  |

## Accessories (order separately if required)

| Product No. | Description    | Remarks<br>mm   inches            | Units per<br>antenna |
|-------------|----------------|-----------------------------------|----------------------|
| 731651      | 1 clamp        | Mast diameter: 28–60   1.1–2.4    | 2                    |
| 85010002    | 1 clamp        | Mast diameter: 110–220   4.3–8.7  | 2                    |
| 85010003    | 1 clamp        | Mast diameter: 210–380   8.3–15.0 | 2                    |
| 737978      | 1 downtilt kit | Downtilt angle: 0°–9°             | 1                    |

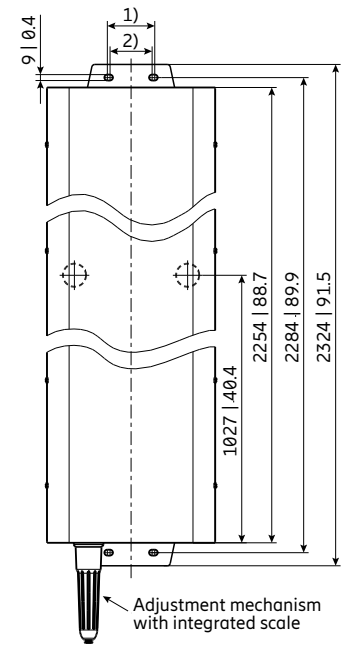
## Accessories (included in the scope of supply)

| Product No. | Description | Remarks<br>mm   inches         | Units per<br>antenna |
|-------------|-------------|--------------------------------|----------------------|
| 738546      | 1 clamp     | Mast diameter: 42–15   1.7–4.5 | 2                    |

For downtilt mounting use the clamps for an appropriate mast diameter together with the downtilt kit.

**Material:** **Reflector screen:** Weather-proof aluminum.  
**Fiberglass radome:** The grey fiberglass radomes of these antennas are very stable and extraordinarily stiff. They are resistant to ultraviolet radiation and can also be painted to match their surroundings.  
**All screws and nuts:** Stainless steel.

**Grounding:** The metal parts of the antenna including the mounting kit and the inner conductors are DC grounded.



1) 72 | 2.8  
2) 64 | 2.5

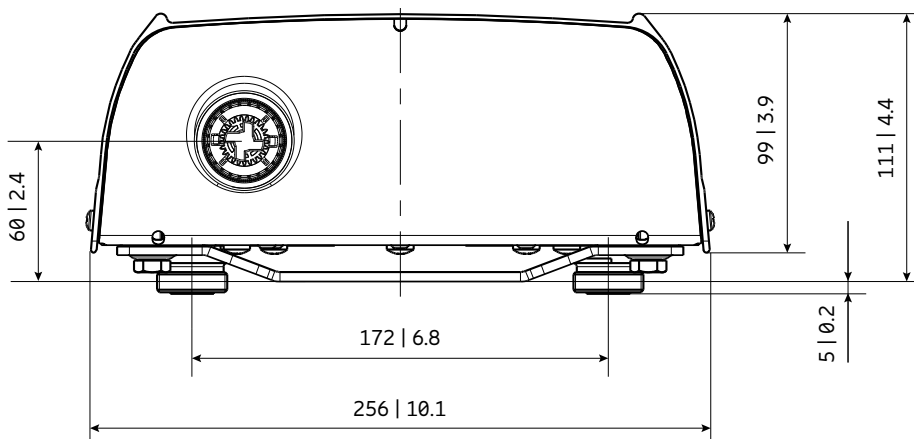
All imensions in mm | inches

## Correlation Table

| Frequency range | Array | Connector / Ports |
|-----------------|-------|-------------------|
| 790–960 MHz     | R1    | 1–2               |

R1

## Layout of interface



Bottom view  
All dimensions in mm | inches





# Antenna 1000 1L 0M 2.6m

80010306V02

Capacity

Compact

Coverage

65° | 790–960 MHz | 17.5 dBi

Electrical downtilt set by hand or by optional RCU (Remote Control Unit)



[ericsson.com/antenna-system](https://ericsson.com/antenna-system)



Scan or [click](#)

| Lowband                                     |     | R1                                 |            |            |
|---|-----|------------------------------------|------------|------------|
| Frequency Range                             | MHz | 790 – 862                          | 824 – 894  | 880 – 960  |
| Gain at mid Tilt                            | dBi | 17.1                               | 17.2       | 17.4       |
| Gain over all Tilts                         | dBi | 17.1 ± 0.4                         | 17.2 ± 0.2 | 17.4 ± 0.2 |
| <b>Horizontal Pattern:</b>                  |     |                                    |            |            |
| Azimuth Beamwidth                           | °   | 69 ± 1.7                           | 68 ± 1.6   | 65 ± 2.5   |
| Front-to-Back Ratio, Total Power, ± 30°     | dB  | > 22                               | > 22       | > 22       |
| Cross Polar Discrimination at Boresight     | dB  | > 21                               | > 22       | > 23       |
| Cross Polar Discrimination over Sector      | dB  | > 12.5                             | > 12.5     | > 11.0     |
| Azimuth Beam Port-to-Port Tracking          | dB  | < 1.0                              | < 1.0      | < 1.5      |
| <b>Vertical Pattern:</b>                    |     |                                    |            |            |
| Elevation Beamwidth                         | °   | 7.9 ± 0.4                          | 7.8 ± 0.3  | 7.5 ± 0.4  |
| Electrical Downtilt continuously adjustable | °   | 0.5 – 9.5                          |            |            |
| Tilt Accuracy                               | °   | < 0.3                              | < 0.3      | < 0.3      |
| First Upper Side Lobe Suppression           | dB  | > 17                               | > 18       | > 18       |
| Cross Polar Isolation                       | dB  | > 30                               |            |            |
| Max. Effective Power per Port               | W   | 400 (at 50 °C ambient temperature) |            |            |

Values based on NGMN-P-BASTA (version 9.6) requirements.

### Electrical specifications, all systems

|                                      |     |                                    |
|--------------------------------------|-----|------------------------------------|
| Impedance                            | Ω   | 50                                 |
| VSWR                                 |     | < 1.5                              |
| Return Loss                          | dB  | > 14                               |
| Passive Intermodulation              | dBc | < -150 (2 x 43 dBm carrier)        |
| Polarization                         | °   | +45, -45                           |
| Max. Effective Power for the Antenna | W   | 800 (at 50 °C ambient temperature) |

Values based on NGMN-P-BASTA (version 9.6) requirements.

### Mechanical specifications

|   |   |  |                    |
|---|---|--|--------------------|
| Input                                     | 2 x 7-16 female long neck   |  |                    |
| Connector Position                        | bottom  |  |                    |
| Adjustment Mechanism                      | 1x, Position bottom continuously adjustable                         |  |                    |
| Wind load (at Rated Wind Speed: 150 km/h) | N   lbf   | Frontal: 895   201                                       | Maximal: 980   220 |
| Max. Wind Velocity                        | km/h<br>mph   | 200<br>124   |                    |
| Height / Width / Depth                    | mm<br>inches  | 2574 / 259 / 99<br>101.3 / 10.2 / 3.9                    |                    |
| Category of Mounting Hardware             | H (Heavy)   |  |                    |
| Weight                                    | kg<br>lb  | 14.0 / 16.2 (clamps incl.)<br>30.9 / 35.7 (clamps incl.) |                    |
| Packing Size                              | mm<br>inches  | 2876 / 272 / 127<br>113.2 / 10.7 / 5.0                   |                    |
| Scope of Supply                           | Panel and 2 units of clamps for 42–115 mm   1.7–4.5 inches diameter |  |                    |

## Accessories (order separately if required)

| Product No. | Description    | Remarks<br>mm   inches            | Units per antenna |
|-------------|----------------|-----------------------------------|-------------------|
| 85010002    | 1 clamp        | Mast diameter: 110–220   4.3–8.7  | 2                 |
| 85010003    | 1 clamp        | Mast diameter: 210–380   8.3–15.0 | 2                 |
| 85010009    | 1 downtilt kit | Downtilt angle: 0°–8°             | 1                 |

## Accessories (included in the scope of supply)

| Product No. | Description | Remarks<br>mm   inches          | Units per antenna |
|-------------|-------------|---------------------------------|-------------------|
| 738546      | 1 clamp     | Mast diameter: 42–115   1.7–4.5 | 2                 |

For downtilt mounting use the clamps for an appropriate mast diameter together with the downtilt kit.  
Wall mounting: No additional mounting kit needed.

### Material:

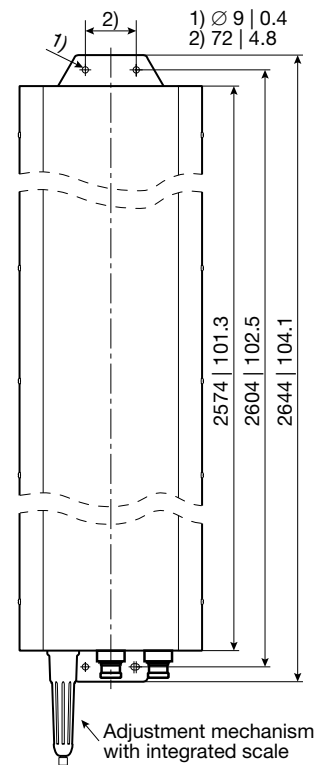
**Reflector screen:** Weather-proof aluminum.

**Fiberglass radome:** The grey fiberglass radomes of these antennas are very stable and extraordinarily stiff. They are resistant to ultraviolet radiation and can also be painted to match their surroundings.

**All screws and nuts:** Stainless steel.

### Grounding:

The metal parts of the antenna including the mounting kit and the inner conductors are DC grounded.

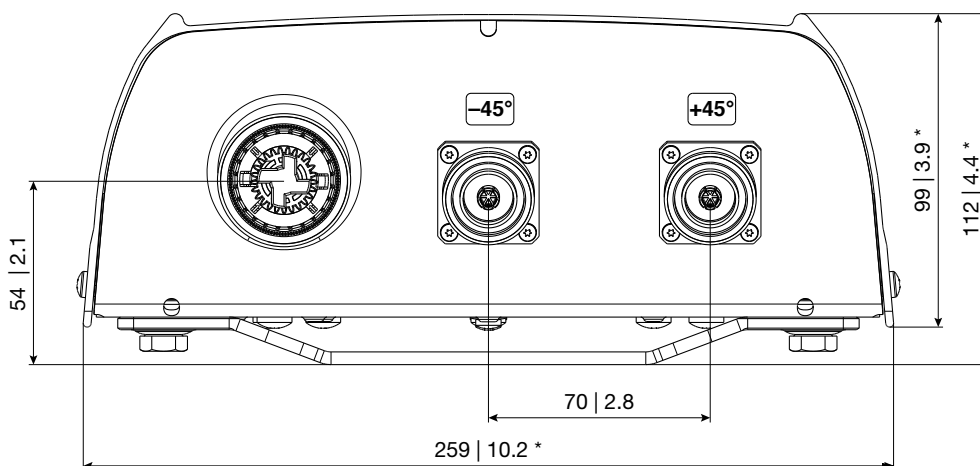


All dimensions in mm | inches

## Correlation Table

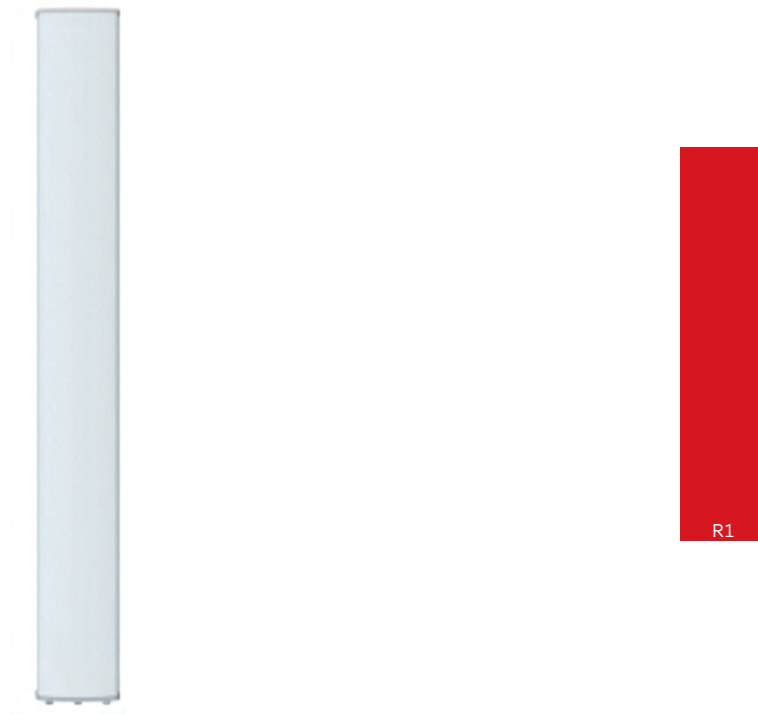
| Frequency range | Array | Connector / Ports |
|-----------------|-------|-------------------|
| 790–960 MHz     | R1    | 1–2               |

## Layout of interface



Bottom view  
\* Dimensions refer to radome  
All dimensions in mm | inches

R1



# Antenna 1002 1L 0M 2.4m

KRE 101 2411/1

Capacity

Compact

Coverage

65° | 690–960 MHz | 16.0 dBi  
Electrical downtilt set by integrated RET



[ericsson.com/antenna-system](https://ericsson.com/antenna-system)



Scan or [click](#)

| Lowband                                     |     | R1, connector 1–2                  |            |            |            |
|---|-----|------------------------------------|------------|------------|------------|
| Frequency Range                             | MHz | 690 – 807                          | 791 – 862  | 824 – 894  | 880 – 960  |
| Gain at mid Tilt                            | dBi | 15.9                               | 16.1       | 16.3       | 16.6       |
| Gain over all Tilts                         | dBi | 15.9 ± 0.3                         | 16.1 ± 0.2 | 16.2 ± 0.3 | 16.4 ± 0.4 |
| <b>Horizontal Pattern:</b>                  |     |                                    |            |            |            |
| Azimuth Beamwidth                           | °   | 72 ± 1.0                           | 71 ± 1.0   | 70 ± 1.6   | 67 ± 1.6   |
| Front-to-Back Ratio, Total Power, ± 30°     | dB  | > 24                               | > 25       | > 25       | > 25       |
| <b>Vertical Pattern:</b>                    |     |                                    |            |            |            |
| Elevation Beamwidth                         | °   | 9.4 ± 0.6                          | 8.6 ± 0.5  | 8.3 ± 0.5  | 7.8 ± 0.4  |
| Electrical Downtilt continuously adjustable | °   | 0.0 – 10.0                         |            |            |            |
| Tilt Accuracy                               | °   | < 0.3                              | < 0.7      | < 0.7      | < 0.8      |
| First Upper Side Lobe Suppression           | dB  | > 19                               | > 19       | > 19       | > 19       |
| Cross Polar Isolation                       | dB  | > 30                               |            |            |            |
| Max. Effective Power per Port               | W   | 300 (at 50 °C ambient temperature) |            |            |            |

Values based on NGMN-P-BASTA (version 10.0) requirements.

### Electrical specifications, all ports

|                                      |     |                                    |
|--------------------------------------|-----|------------------------------------|
| Impedance                            | Ω   | 50                                 |
| VSWR                                 |     | < 1.5                              |
| Return Loss                          | dB  | > 14                               |
| Interband Isolation                  | dB  | > 30                               |
| Passive Intermodulation              | dBc | < -153 (2 x 43 dBm carrier)        |
| Polarization                         | °   | -45, +45                           |
| Max. Effective Power for the Antenna | W   | 600 (at 50 °C ambient temperature) |

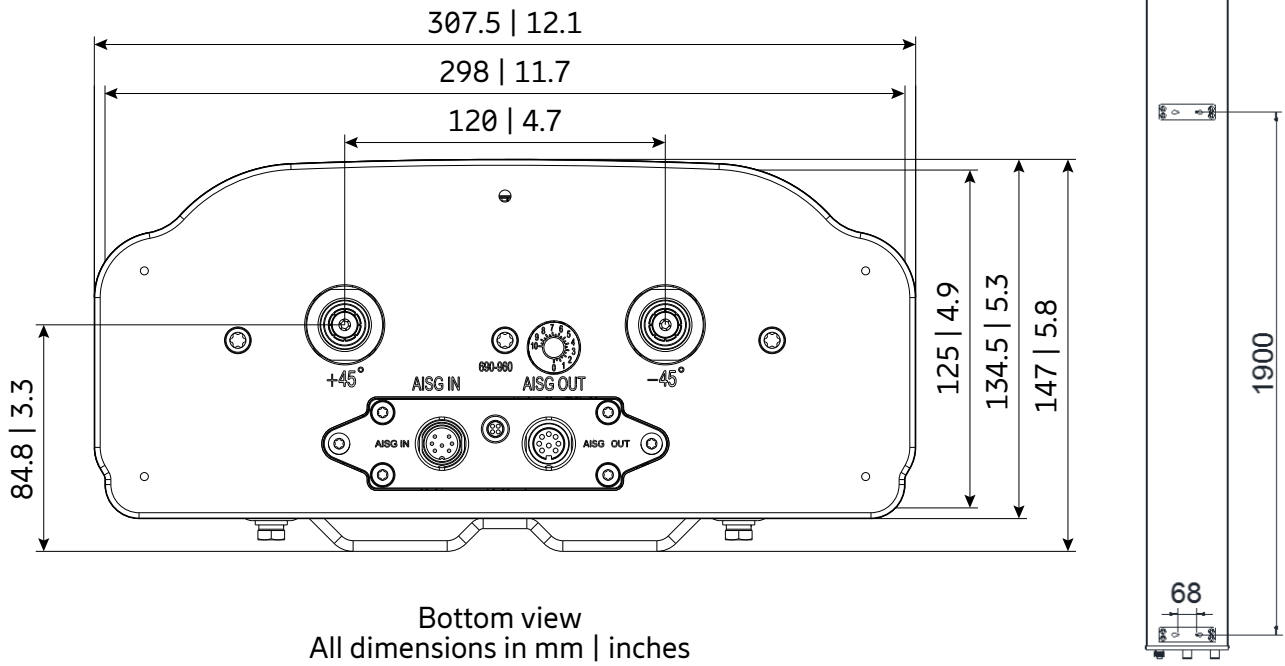
Values based on NGMN-P-BASTA (version 10.0) requirements.

### Mechanical specifications

|   |   |  |
|---|---|--|
| Input                                     | 2 x 4.3-10 female   |  |
| Connector Position                        | bottom  |  |
| Adjustment Mechanism                      | Integrated RET, continuously adjustable   |  |
| Wind load (at Rated Wind Speed: 150 km/h) | N   lbf   | Frontal: 795   179<br>Maximal: 875   197                 |
| Max. Wind Velocity                        | km/h<br>mph   | 200<br>124   |
| Height / Width / Depth                    | mm<br>inches  | 2400 / 298 / 125<br>94.5 / 11.7 / 4.9                    |
| Weight                                    | kg<br>lb  | 17.0 / 22.9 (clamps incl.)<br>37.5 / 50.5 (clamps incl.) |
| Packing Size                              | mm<br>inches  | 2745 / 370 / 185<br>108.1 / 14.6 / 7.3                   |
| Scope of Supply                           | Antenna, mounting kit incl. mech. Tilt-kit 0° to 8° tilt<br>SXA 120 129/1;<br>integrated RET - KRY 121 78/1 |  |



### Layout of interface



### Correlation Table

| Frequency range | Array | Connector / Ports |
|-----------------|-------|-------------------|
| 690–960 MHz     | R1    | 1–2               |



R1



# Antenna 2000 2L 0M 1.4m

KRE 101 2493/1

Capacity

Compact

Coverage

65° | 2x 698–960 MHz | 14.0 dBi  
Electrical downtilt set by integrated RET



[ericsson.com/antenna-system](https://ericsson.com/antenna-system)



Scan or [click](#)

| Left side, lowband                          |     | R1, connector 1–2 |            |            |
|---|-----|-------------------|------------|------------|
| Frequency Range                             | MHz | 698 – 824         | 790 – 894  | 880 – 960  |
| Gain at mid Tilt                            | dBi | 13.3              | 13.6       | 13.8       |
| Gain over all Tilts                         | dBi | 13.3 ± 0.3        | 13.6 ± 0.3 | 13.7 ± 0.5 |
| <b>Horizontal Pattern:</b>                  |     |                   |            |            |
| Azimuth Beamwidth                           | °   | 66 ± 3.3          | 65 ± 4.2   | 63 ± 4.8   |
| Front-to-Back Ratio, Total Power, ± 30°     | dB  | > 23              | > 24       | > 23       |
| Cross Polar Discrimination at Boresight     | dB  | > 28              | > 24       | > 24       |
| Azimuth Beam Squint                         | °   | -11 ± 6.0         | -6 ± 5.3   | -3 ± 5.4   |
| Azimuth Beam Port-to-Port Tracking          | dB  | 2.0               | 2.5        | 2.5        |
| <b>Vertical Pattern:</b>                    |     |                   |            |            |
| Elevation Beamwidth                         | °   | 16.1 ± 1.4        | 14.7 ± 1.0 | 13.6 ± 0.8 |
| Electrical Downtilt continuously adjustable | °   | 2.0 – 16.0        |            |            |
| Tilt Accuracy                               | °   | < 0.5             | < 0.9      | < 0.6      |
| First Upper Sidelobe Suppression            | dB  | > 16              | > 16       | > 20       |
| Intra-Cluster Isolation                     | dB  | > 25              |            |            |
| Inter-Cluster Isolation                     | dB  | > 25 (R1 // R2)   |            |            |
| Max. Effective Power per Port               | W   | 200               |            |            |

Values based on NGMN-P-BASTA (version 11.1) requirements.

| Right side, lowband                         |     | R2, connector 3–4 |            |            |
|---|-----|-------------------|------------|------------|
| Frequency Range                             | MHz | 698 – 824         | 790 – 894  | 880 – 960  |
| Gain at mid Tilt                            | dBi | 13.3              | 13.7       | 13.7       |
| Gain over all Tilts                         | dBi | 13.3 ± 0.2        | 13.6 ± 0.3 | 13.6 ± 0.4 |
| <b>Horizontal Pattern:</b>                  |     |                   |            |            |
| Azimuth Beamwidth                           | °   | 66 ± 3.4          | 63 ± 4.7   | 62 ± 4.7   |
| Front-to-Back Ratio, Total Power, ± 30°     | dB  | > 21              | > 23       | > 22       |
| Cross Polar Discrimination at Boresight     | dB  | > 26              | > 26       | > 23       |
| Azimuth Beam Squint                         | °   | 12 ± 5.6          | 7 ± 5.7    | 3 ± 5.2    |
| Azimuth Beam Port-to-Port Tracking          | dB  | 2.0               | 2.5        | 2.5        |
| <b>Vertical Pattern:</b>                    |     |                   |            |            |
| Elevation Beamwidth                         | °   | 16.1 ± 1.3        | 14.6 ± 1.1 | 13.5 ± 0.9 |
| Electrical Downtilt continuously adjustable | °   | 2.0 – 16.0        |            |            |
| Tilt Accuracy                               | °   | < 0.6             | < 0.9      | < 0.8      |
| First Upper Sidelobe Suppression            | dB  | > 15              | > 15       | > 19       |
| Intra-Cluster Isolation                     | dB  | > 25              |            |            |
| Inter-Cluster Isolation                     | dB  | > 25 (R2 // R1)   |            |            |
| Max. Effective Power per Port               | W   | 200               |            |            |

Values based on NGMN-P-BASTA (version 11.1) requirements.

## Electrical specifications, all ports

|                                      |          |                                    |
|--------------------------------------|----------|------------------------------------|
| Impedance                            | $\Omega$ | 50                                 |
| VSWR                                 |          | < 1.5                              |
| Return Loss                          | dB       | > 14                               |
| Inter-Cluster Isolation              | dB       | > 25                               |
| Passive Intermodulation              | dBc      | < -153 (2 x 43 dBm carrier)        |
| Polarization                         | °        | +45, -45                           |
| Max. Effective Power for the Antenna | W        | 600 (at 25° C ambient temperature) |

Values based on NGMN-P-BASTA (version 11.1) requirements.

**Material:**

**Reflector screen and dipoles:** Aluminum.

**Fiberglass housing:** It covers totally the internal antenna components. The special design reduces the sealing areas to a minimum and guarantees the best weather protection. Fiberglass material guarantees optimum performance with regards to stability, stiffness, UV resistance and painting. The color of the radome is light grey.

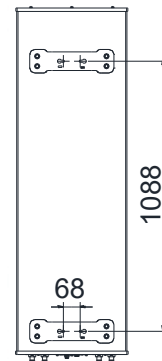
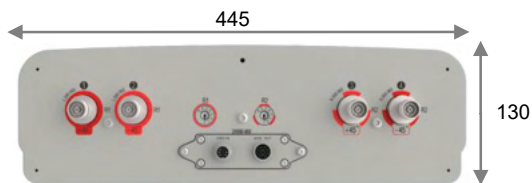
**All nuts and bolts:** Stainless steel or hot-dip galvanized steel.

**Grounding:** The metal parts of the antenna including the mounting kit and the inner conductors are DC grounded.

## Mechanical specifications

|   |   |  |
|---|---|--|
| Input                                     | 4x 4.3-10 female  |  |
| Connector Position                        | bottom  |  |
| Adjustment Mechanism                      | Integrated RET, continuously adjustable   |  |
| Wind load (at Rated Wind Speed: 150 km/h) | N   lbf   | Frontal: 725   163<br>Maximal: 725   163                 |
| Wind Load Standard                        | EN 1994-1-4   |  |
| Wind Load Laboratory                      | TU Dresden; Göttinger-type wind tunnel  |  |
| Max. Wind Velocity                        | km/h<br>mph   | 241<br>150   |
| Height / Width / Depth                    | mm<br>inches  | 1400 / 445 / 130<br>55.1 / 17.5 / 5.1                    |
| Weight                                    | kg<br>lb  | 19.0 / 24.4 (clamps incl.)<br>41.9 / 53.8 (clamps incl.) |
| Packing Size                              | mm<br>inches  | 1675 / 550 / 205<br>65.9 / 21.7 / 8.1                    |
| Scope of Supply                           | Antenna, mounting kit (50–115 mm) incl. mech. Tilt-kit (0°–16°) SXA 120 129/2, integr. RET KRY 121 78/4 |  |

## Layout of interface



## Correlation Table

| Frequency range | Array | Connector / Ports |
|-----------------|-------|-------------------|
| 698–960 MHz     | R1    | 1–2               |
| 698–960 MHz     | R2    | 3–4               |





# Antenna 2000 2L 0M 2.0m

KRE 101 2451/1

Capacity    Compact    Coverage

65° | 2x 698–960 MHz | 15.5 dBi  
Electrical downtilt set by integrated RET



[ericsson.com/antenna-system](https://ericsson.com/antenna-system)



Scan or [click](#)

| Left side, lowband                          |     | R1, connector 1–2                  |            |            |
|---|-----|------------------------------------|------------|------------|
| Frequency Range                             | MHz | 698 – 824                          | 790 – 894  | 880 – 960  |
| Gain at mid Tilt                            | dBi | 15.0                               | 15.5       | 15.7       |
| Gain over all Tilts                         | dBi | 14.9 ± 0.5                         | 15.4 ± 0.3 | 15.6 ± 0.4 |
| <b>Horizontal Pattern:</b>                  |     |                                    |            |            |
| Azimuth Beamwidth                           | °   | 67 ± 3.5                           | 63 ± 3.4   | 61 ± 3.1   |
| Front-to-Back Ratio, Total Power, ± 30°     | dB  | > 23                               | > 22       | > 22       |
| <b>Vertical Pattern:</b>                    |     |                                    |            |            |
| Elevation Beamwidth                         | °   | 11.2 ± 0.9                         | 10.1 ± 0.6 | 9.2 ± 0.6  |
| Electrical Downtilt continuously adjustable | °   | 0.0 – 10.0                         |            |            |
| Tilt Accuracy                               | °   | < 0.5                              | < 0.7      | < 0.8      |
| First Upper Side Lobe Suppression           | dB  | > 19                               | > 18       | > 16       |
| Cross Polar Isolation                       | dB  | > 28                               |            |            |
| Port to Port Isolation                      | dB  | > 26 (R1 // R2)                    |            |            |
| Max. Effective Power per Port               | W   | 350 (at 40 °C ambient temperature) |            |            |

Values based on NGMN-P-BASTA (version 10.0) requirements.

| Left side, lowband                          |     | R2, connector 3–4                  |            |            |
|---|-----|------------------------------------|------------|------------|
| Frequency Range                             | MHz | 698 – 824                          | 790 – 894  | 880 – 960  |
| Gain at mid Tilt                            | dBi | 14.9                               | 15.3       | 15.6       |
| Gain over all Tilts                         | dBi | 14.8 ± 0.5                         | 15.3 ± 0.3 | 15.6 ± 0.4 |
| <b>Horizontal Pattern:</b>                  |     |                                    |            |            |
| Azimuth Beamwidth                           | °   | 69 ± 3.0                           | 65 ± 3.1   | 63 ± 2.9   |
| Front-to-Back Ratio, Total Power, ± 30°     | dB  | > 22                               | > 22       | > 21       |
| <b>Vertical Pattern:</b>                    |     |                                    |            |            |
| Elevation Beamwidth                         | °   | 11.2 ± 0.9                         | 10.1 ± 0.6 | 9.2 ± 0.6  |
| Electrical Downtilt continuously adjustable | °   | 0.0 – 10.0                         |            |            |
| Tilt Accuracy                               | °   | < 0.7                              | < 0.8      | < 0.8      |
| First Upper Side Lobe Suppression           | dB  | > 20                               | > 19       | > 18       |
| Cross Polar Isolation                       | dB  | > 28                               |            |            |
| Port to Port Isolation                      | dB  | > 26 (R2 // R1)                    |            |            |
| Max. Effective Power per Port               | W   | 350 (at 40 °C ambient temperature) |            |            |

Values based on NGMN-P-BASTA (version 10.0) requirements.

## Electrical specifications, all ports

|                                      |            |                                    |
|--------------------------------------|------------|------------------------------------|
| Impedance                            | $\Omega$   | 50                                 |
| VSWR                                 |            | < 1.5                              |
| Return Loss                          | dB         | > 14                               |
| Interband Isolation                  | dB         | > 26                               |
| Passive Intermodulation              | dBc        | < -153 (2 x 43 dBm carrier)        |
| Polarization                         | $^{\circ}$ | +45, -45                           |
| Max. Effective Power for the Antenna | W          | 700 (at 40 °C ambient temperature) |

Values based on NGMN-P-BASTA (version 10.0) requirements.

## Mechanical specifications

|   |   |  |
|---|---|--|
| Input                                     | 4x 4.3-10 female  |  |
| Connector Position                        | bottom  |  |
| Adjustment Mechanism                      | Integrated RET, continuously adjustable   |  |
| Wind load (at Rated Wind Speed: 150 km/h) | N   lbf   | Frontal: 1065   239<br>Maximal: 1065   239               |
| Max. Wind Velocity                        | km/h<br>mph   | 225<br>140   |
| Height / Width / Depth                    | mm<br>inches  | 2000 / 445 / 130<br>78.7 / 17.5 / 5.1                    |
| Weight                                    | kg<br>lb  | 24.5 / 31.2 (clamps incl.)<br>54.0 / 68.8 (clamps incl.) |
| Scope of Supply                           | Antenna,<br>mounting kit (50–115 mm)<br>incl. mech. Tilt-kit (0°–12°)<br>SXA 120 128/2,<br>integr. RET KRY 121 78/1 |  |

## Material:

**Reflector screen and dipoles:** Aluminum.

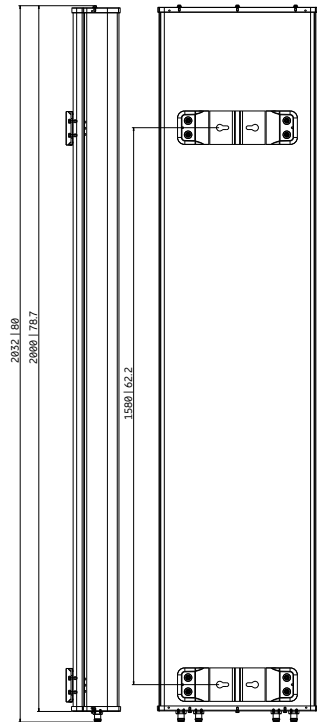
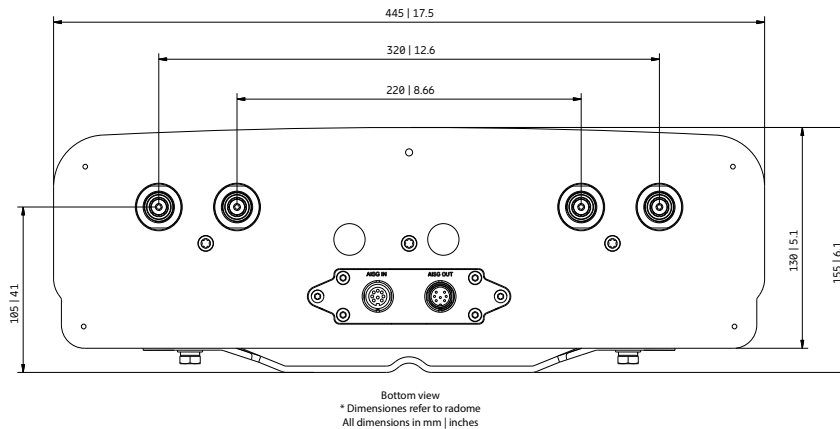
**Fiberglass housing:** It covers totally the internal antenna components. The special design reduces the sealing areas to a minimum and guarantees the best weather protection. Fiberglass material guarantees optimum performance with regards to stability, stiffness, UV resistance and painting. The color of the radome is light grey.

**All nuts and bolts:** Stainless steel or hot-dip galvanized steel.

## Grounding:

The metal parts of the antenna including the mounting kit and the inner conductors are DC grounded.

## Layout of interface



## Correlation Table

| Frequency range | Array | Connector / Ports |
|-----------------|-------|-------------------|
| 698–960 MHz     | R1    | 1–2               |
| 698–960 MHz     | R2    | 3–4               |



R1 R2  
Left Right





# Antenna 2000 2L 0M 2.4m

80010902

Capacity

Compact

Coverage

65° | 2x 698–960 MHz | 16.5 dBi  
FlexRET



[ericsson.com/antenna-system](https://ericsson.com/antenna-system)



Scan or [click](#)

| Left side, lowband                          |     | R1, connector 1–2                  |            |            |            |
|---|-----|------------------------------------|------------|------------|------------|
| Frequency Range                             | MHz | 698 – 806                          | 791 – 862  | 824 – 894  | 880 – 960  |
| Gain at mid Tilt                            | dBi | 15.7                               | 16.1       | 16.4       | 16.5       |
| Gain over all Tilts                         | dBi | 15.6 ± 0.4                         | 16.1 ± 0.3 | 16.3 ± 0.3 | 16.4 ± 0.3 |
| <b>Horizontal Pattern:</b>                  |     |                                    |            |            |            |
| Azimuth Beamwidth                           | °   | 66 ± 2.9                           | 65 ± 2.3   | 65 ± 2.6   | 64 ± 2.9   |
| Front-to-Back Ratio, Total Power, ± 30°     | dB  | > 23                               | > 23       | > 24       | > 25       |
| Cross Polar Discrimination over Sector      | dB  | > 10.0                             | > 9.5      | > 10.0     | > 11.5     |
| Azimuth Beam Port-to-Port Tracking          | dB  | < 1.5                              | < 1.0      | < 1.0      | < 1.5      |
| <b>Vertical Pattern:</b>                    |     |                                    |            |            |            |
| Elevation Beamwidth                         | °   | 9.7 ± 0.7                          | 9.0 ± 0.5  | 8.8 ± 0.5  | 8.3 ± 0.4  |
| Electrical Downtilt continuously adjustable | °   | 1.0 – 10.0                         |            |            |            |
| Tilt Accuracy                               | °   | < 0.4                              | < 0.4      | < 0.4      | < 0.4      |
| First Upper Side Lobe Suppression           | dB  | > 16                               | > 17       | > 17       | > 20       |
| Cross Polar Isolation                       | dB  | > 30                               |            |            |            |
| Port to Port Isolation                      | dB  | > 27 (R1 // R2)                    |            |            |            |
| Max. Effective Power per Port               | W   | 400 (at 50 °C ambient temperature) |            |            |            |
| Max. Effective Power Ports R1               | W   | 800 (at 50 °C ambient temperature) |            |            |            |

Values based on NGMN-P-BASTA (version 9.6) requirements.

| Right side, lowband                         |     | R2, connector 3–4                  |            |            |            |
|---|-----|------------------------------------|------------|------------|------------|
| Frequency Range                             | MHz | 698 – 806                          | 791 – 862  | 824 – 894  | 880 – 960  |
| Gain at mid Tilt                            | dBi | 15.5                               | 16.0       | 16.3       | 16.6       |
| Gain over all Tilts                         | dBi | 15.5 ± 0.5                         | 16.0 ± 0.5 | 16.3 ± 0.4 | 16.5 ± 0.3 |
| <b>Horizontal Pattern:</b>                  |     |                                    |            |            |            |
| Azimuth Beamwidth                           | °   | 67 ± 3.5                           | 65 ± 2.6   | 64 ± 3.0   | 63 ± 4.3   |
| Front-to-Back Ratio, Total Power, ± 30°     | dB  | > 22                               | > 23       | > 24       | > 26       |
| Cross Polar Discrimination over Sector      | dB  | > 9.5                              | > 10.5     | > 10.0     | > 11.5     |
| Azimuth Beam Port-to-Port Tracking          | dB  | < 0.5                              | < 1.0      | < 0.5      | < 1.5      |
| <b>Vertical Pattern:</b>                    |     |                                    |            |            |            |
| Elevation Beamwidth                         | °   | 9.9 ± 0.7                          | 9.0 ± 0.7  | 8.6 ± 0.4  | 8.1 ± 0.5  |
| Electrical Downtilt continuously adjustable | °   | 1.0 – 10.0                         |            |            |            |
| Tilt Accuracy                               | °   | < 0.4                              | < 0.4      | < 0.4      | < 0.3      |
| First Upper Side Lobe Suppression           | dB  | > 18                               | > 21       | > 20       | > 20       |
| Cross Polar Isolation                       | dB  | > 30                               |            |            |            |
| Port to Port Isolation                      | dB  | > 27 (R2 // R1)                    |            |            |            |
| Max. Effective Power per Port               | W   | 400 (at 50 °C ambient temperature) |            |            |            |
| Max. Effective Power Ports R2               | W   | 800 (at 50 °C ambient temperature) |            |            |            |

Values based on NGMN-P-BASTA (version 9.6) requirements.

## Electrical specifications, all ports

|                                      |            |                                     |
|--------------------------------------|------------|-------------------------------------|
| Impedance                            | $\Omega$   | 50                                  |
| VSWR                                 |            | < 1.5                               |
| Return Loss                          | dB         | > 14                                |
| Interband Isolation                  | dB         | > 27                                |
| Passive Intermodulation              | dBc        | < -153 (2 x 43 dBm carrier)         |
| Polarization                         | $^{\circ}$ | +45, -45                            |
| Max. Effective Power for the Antenna | W          | 1200 (at 50 °C ambient temperature) |

Values based on NGMN-P-BASTA (version 9.6) requirements.

## Mechanical specifications

|   |   |  |
|---|---|--|
| Input                                     | 4x 4.3-10 female  |  |
| Connector Position                        | bottom  |  |
| Adjustment Mechanism                      | FlexRET, continuously adjustable  |  |
| Wind load (at Rated Wind Speed: 150 km/h) | N   lbf   | Frontal: 1400   315<br>Maximal: 1405   316                 |
| Max. Wind Velocity                        | km/h<br>mph   | 241<br>150   |
| Height / Width / Depth                    | mm<br>inches  | 2438 / 508 / 175<br>96.0 / 20.0 / 6.9                      |
| Category of Mounting Hardware             | XH (X-Heavy)  |  |
| Weight                                    | kg<br>lb  | 47.0 / 52.0 (clamps incl.)<br>103.6 / 114.6 (clamps incl.) |
| Packing Size                              | mm<br>inches  | 2635 / 542 / 268<br>103.7 / 21.3 / 10.6                    |
| Scope of Supply                           | Panel, FlexRET and 1 unit of clamps for 55–115 mm   2.2–4.5 inches diameter |  |

## Accessories (order separately if required)

| Product No.   | Description          | Remarks<br>mm   inches  | Units per antenna |
|---------------|----------------------|---|-------------------|
| 85010097      | 2 clamps             | Mast diameter: 110–220   4.3–8.7                                  | 1                 |
| 85010099      | 1 downtilt kit       | Downtilt angle: 0°–11°  | 1                 |
| 86010154      | Site Sharing Adapter | 3-way (see figure below)  |                   |
| 86010155      | Site Sharing Adapter | 6-way (see figure below)  |                   |
| 86010162      | Gender Adapter       | Solely to be used in combination with a compatible FlexRET module | 1                 |
| KRY 121 108/1 | Port Extender        |   | 1                 |

## Accessories (included in the scope of supply)

| Product No. | Description | Remarks<br>mm   inches          | Units per antenna |
|-------------|-------------|---------------------------------|-------------------|
| 85010096    | 2 clamps    | Mast diameter: 55–115   2.2–4.5 | 1                 |
| 86010153V01 | FlexRET     | Compliant to 3GPP / AISG 2.0    | 1                 |

For downtilt mounting use the clamps for an appropriate mast diameter together with the downtilt kit. Wall mounting: No additional mounting kit needed.

## Material:

**Reflector screen:** Aluminum.

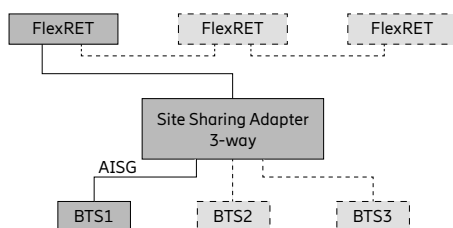
**Fiberglass housing:** It covers totally the internal antenna components. The special design reduces the sealing areas to a minimum and guarantees the best weather protection. Fiberglass material guarantees optimum performance with regards to stability, stiffness, UV resistance and painting. The color of the radome is light grey.

**All nuts and bolts:** Stainless steel or hot-dip galvanized steel.

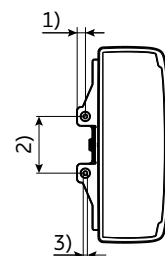
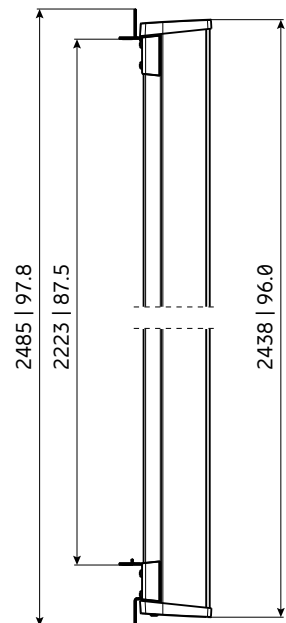
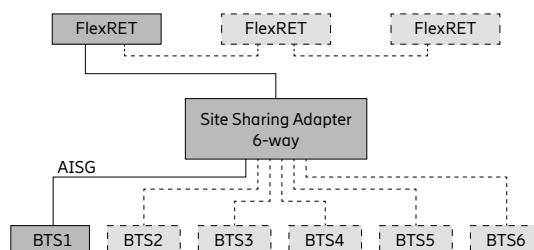
## Grounding:

The metal parts of the antenna including the mounting kit and the inner conductors are DC grounded.

## Configuration example with Site Sharing Adapter 86010154



## Configuration example with Site Sharing Adapter 86010155

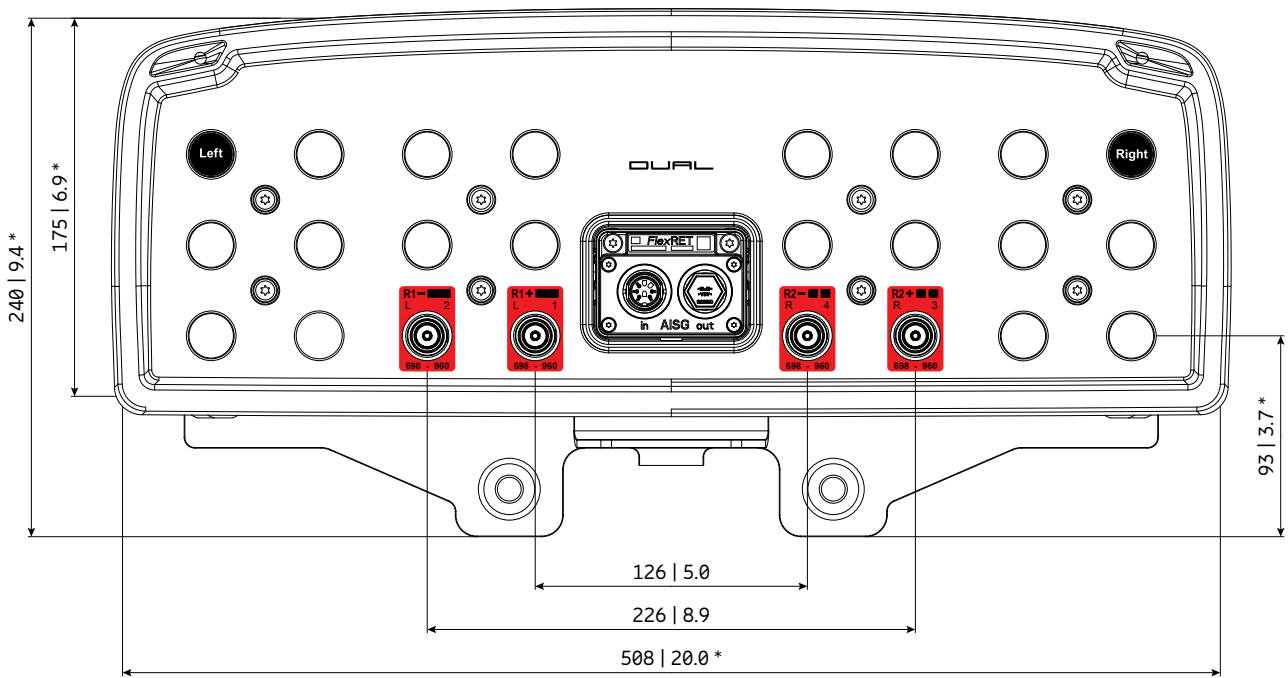


1) 22 | 0.9  
2) 150 | 5.9  
3)  $\varnothing$  11 | 0.4

All dimensions  
in mm | inches

For more information please refer to the respective data sheets.

## Layout of interface



Bottom view  
\* Dimensions refer to radome  
All dimensions in mm | inches

## Correlation Table

| Frequency range | Array | Connector / Ports |
|-----------------|-------|-------------------|
| 698–960 MHz     | R1    | 1–2               |
| 698–960 MHz     | R2    | 3–4               |





# Antenna 2001 2L 0M 2.0m

80010901

Capacity

Compact

Coverage

65° | 2x 698–960 MHz | 15.5 dBi  
FlexRET



[ericsson.com/antenna-system](https://ericsson.com/antenna-system)



Scan or [click](#)

| Left side, lowband                          |     | R1, connector 1–2                  |            |            |            |
|---|-----|------------------------------------|------------|------------|------------|
| Frequency Range                             | MHz | 698 – 806                          | 791 – 862  | 824 – 894  | 880 – 960  |
| Gain at mid Tilt                            | dBi | 14.8                               | 15.4       | 15.6       | 15.9       |
| Gain over all Tilts                         | dBi | 14.8 ± 0.6                         | 15.4 ± 0.4 | 15.6 ± 0.2 | 15.8 ± 0.2 |
| <b>Horizontal Pattern:</b>                  |     |                                    |            |            |            |
| Azimuth Beamwidth                           | °   | 62 ± 3.9                           | 61 ± 3.2   | 60 ± 2.7   | 60 ± 2.1   |
| Front-to-Back Ratio, Total Power, ± 30°     | dB  | > 22                               | > 25       | > 27       | > 25       |
| Cross Polar Discrimination over Sector      | dB  | > 8.5                              | > 10.5     | > 11.5     | > 11.0     |
| Azimuth Beam Port-to-Port Tracking          | dB  | < 1.5                              | < 1.0      | < 1.0      | < 1.5      |
| <b>Vertical Pattern:</b>                    |     |                                    |            |            |            |
| Elevation Beamwidth                         | °   | 11.9 ± 0.8                         | 11.0 ± 0.8 | 10.5 ± 0.4 | 10.2 ± 0.4 |
| Electrical Downtilt continuously adjustable | °   | 2.0 – 12.0                         |            |            |            |
| Tilt Accuracy                               | °   | < 0.7                              | < 0.7      | < 0.7      | < 0.7      |
| First Upper Side Lobe Suppression           | dB  | > 14                               | > 14       | > 15       | > 14       |
| Cross Polar Isolation                       | dB  | > 30                               |            |            |            |
| Port to Port Isolation                      | dB  | > 27 (R1 // R2)                    |            |            |            |
| Max. Effective Power per Port               | W   | 400 (at 50 °C ambient temperature) |            |            |            |
| Max. Effective Power Ports R1               | W   | 800 (at 50 °C ambient temperature) |            |            |            |

Values based on NGMN-P-BASTA (version 9.6) requirements.

| Right side, lowband                         |     | R2, connector 3–4                  |            |            |            |
|---|-----|------------------------------------|------------|------------|------------|
| Frequency Range                             | MHz | 698 – 806                          | 791 – 862  | 824 – 894  | 880 – 960  |
| Gain at mid Tilt                            | dBi | 14.8                               | 15.3       | 15.5       | 15.8       |
| Gain over all Tilts                         | dBi | 14.8 ± 0.6                         | 15.3 ± 0.3 | 15.5 ± 0.3 | 15.7 ± 0.3 |
| <b>Horizontal Pattern:</b>                  |     |                                    |            |            |            |
| Azimuth Beamwidth                           | °   | 63 ± 3.6                           | 62 ± 1.8   | 62 ± 2.1   | 60 ± 3.7   |
| Front-to-Back Ratio, Total Power, ± 30°     | dB  | > 22                               | > 24       | > 26       | > 27       |
| Cross Polar Discrimination over Sector      | dB  | > 8.0                              | > 12.5     | > 13.0     | > 13.0     |
| Azimuth Beam Port-to-Port Tracking          | dB  | < 1.5                              | < 1.5      | < 1.0      | < 2.0      |
| <b>Vertical Pattern:</b>                    |     |                                    |            |            |            |
| Elevation Beamwidth                         | °   | 11.6 ± 0.7                         | 11.0 ± 0.6 | 10.7 ± 0.4 | 10.2 ± 0.5 |
| Electrical Downtilt continuously adjustable | °   | 2.0 – 12.0                         |            |            |            |
| Tilt Accuracy                               | °   | < 0.7                              | < 0.6      | < 0.6      | < 0.5      |
| First Upper Side Lobe Suppression           | dB  | > 14                               | > 16       | > 16       | > 16       |
| Cross Polar Isolation                       | dB  | > 30                               |            |            |            |
| Port to Port Isolation                      | dB  | > 27 (R2 // R1)                    |            |            |            |
| Max. Effective Power per Port               | W   | 400 (at 50 °C ambient temperature) |            |            |            |
| Max. Effective Power Ports R2               | W   | 800 (at 50 °C ambient temperature) |            |            |            |

Values based on NGMN-P-BASTA (version 9.6) requirements.

## Electrical specifications, all ports

|                                      |            |                                     |
|--------------------------------------|------------|-------------------------------------|
| Impedance                            | $\Omega$   | 50                                  |
| VSWR                                 |            | < 1.5                               |
| Return Loss                          | dB         | > 14                                |
| Interband Isolation                  | dB         | > 27                                |
| Passive Intermodulation              | dBc        | < -153 (2 x 43 dBm carrier)         |
| Polarization                         | $^{\circ}$ | +45, -45                            |
| Max. Effective Power for the Antenna | W          | 1200 (at 50 °C ambient temperature) |

Values based on NGMN-P-BASTA (version 9.6) requirements.

## Mechanical specifications

|   |   |  |
|---|---|--|
| Input                                     | 4x 4.3-10 female  |  |
| Connector Position                        | bottom  |  |
| Adjustment Mechanism                      | FlexRET, continuously adjustable                                      |  |
| Wind load (at Rated Wind Speed: 150 km/h) | N   lbf   | Frontal: 1130   254<br>Maximal: 1140   256               |
| Max. Wind Velocity                        | km/h<br>mph   | 241<br>150   |
| Height / Width / Depth                    | mm<br>inches  | 1999 / 508 / 175<br>78.7 / 20.0 / 6.9                    |
| Category of Mounting Hardware             | XM (X-Medium)   |  |
| Weight                                    | kg<br>lb  | 38.3 / 42.8 (clamps incl.)<br>84.4 / 94.4 (clamps incl.) |
| Packing Size                              | mm<br>inches  | 2200 / 542 / 268<br>86.6 / 21.3 / 10.6                   |
| Scope of Supply                           | Panel, FlexRET and clamps for 55 – 115 mm   2.2 – 4.5 inches diameter |  |

## Accessories (order separately if required)

| Product No.   | Description          | Remarks<br>mm   inches  | Units per antenna |
|---------------|----------------------|---|-------------------|
| 85010097      | 2 clamps             | Mast diameter: 110–220   4.3–8.7                                  | 1                 |
| 85010110      | 1 downtilt kit       | Downtilt angle: 0°–13°  | 1                 |
| 86010154      | Site Sharing Adapter | 3-way (see figure below)  |                   |
| 86010155      | Site Sharing Adapter | 6-way (see figure below)  |                   |
| 86010162      | Gender Adapter       | Solely to be used in combination with a compatible FlexRET module | 1                 |
| KRY 121 108/1 | Port Extender        |   | 1                 |

## Accessories (included in the scope of supply)

| Product No. | Description | Remarks<br>mm   inches          | Units per antenna |
|-------------|-------------|---------------------------------|-------------------|
| 85010111    | 2 clamps    | Mast diameter: 55–115   2.2–4.5 | 1                 |
| 86010153V01 | FlexRET     | Compliant to 3GPP / AISG 2.0    | 1                 |

For downtilt mounting use the clamps for an appropriate mast diameter together with the downtilt kit. Wall mounting: No additional mounting kit needed.

**Material:**

**Reflector screen:** Aluminum.

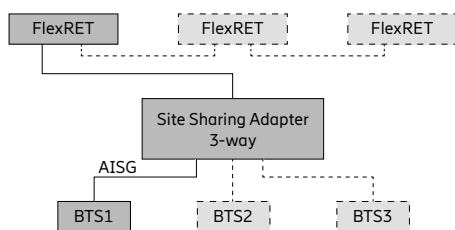
**Fiberglass housing:** It covers totally the internal antenna components. The special design reduces the sealing areas to a minimum and guarantees the best weather protection. Fiberglass material guarantees optimum performance with regards to stability, stiffness, UV resistance and painting. The color of the radome is light grey.

**All nuts and bolts:** Stainless steel or hot-dip galvanized steel.

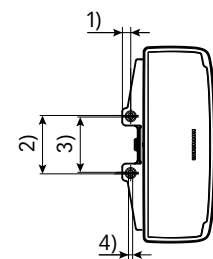
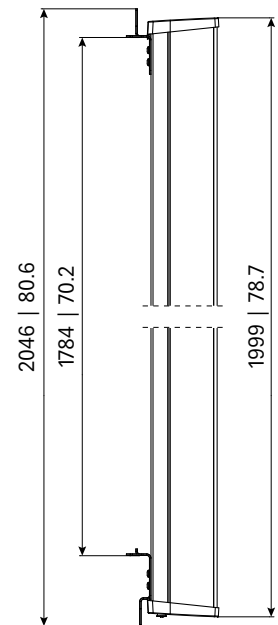
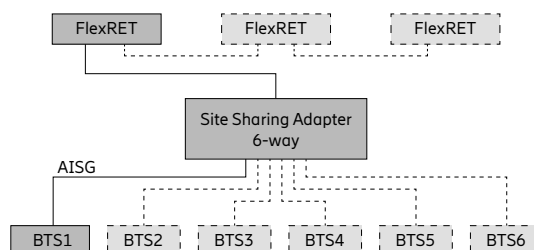
**Grounding:**

The metal parts of the antenna including the mounting kit and the inner conductors are DC grounded.

## Configuration example with Site Sharing Adapter 86010154



## Configuration example with Site Sharing Adapter 86010155

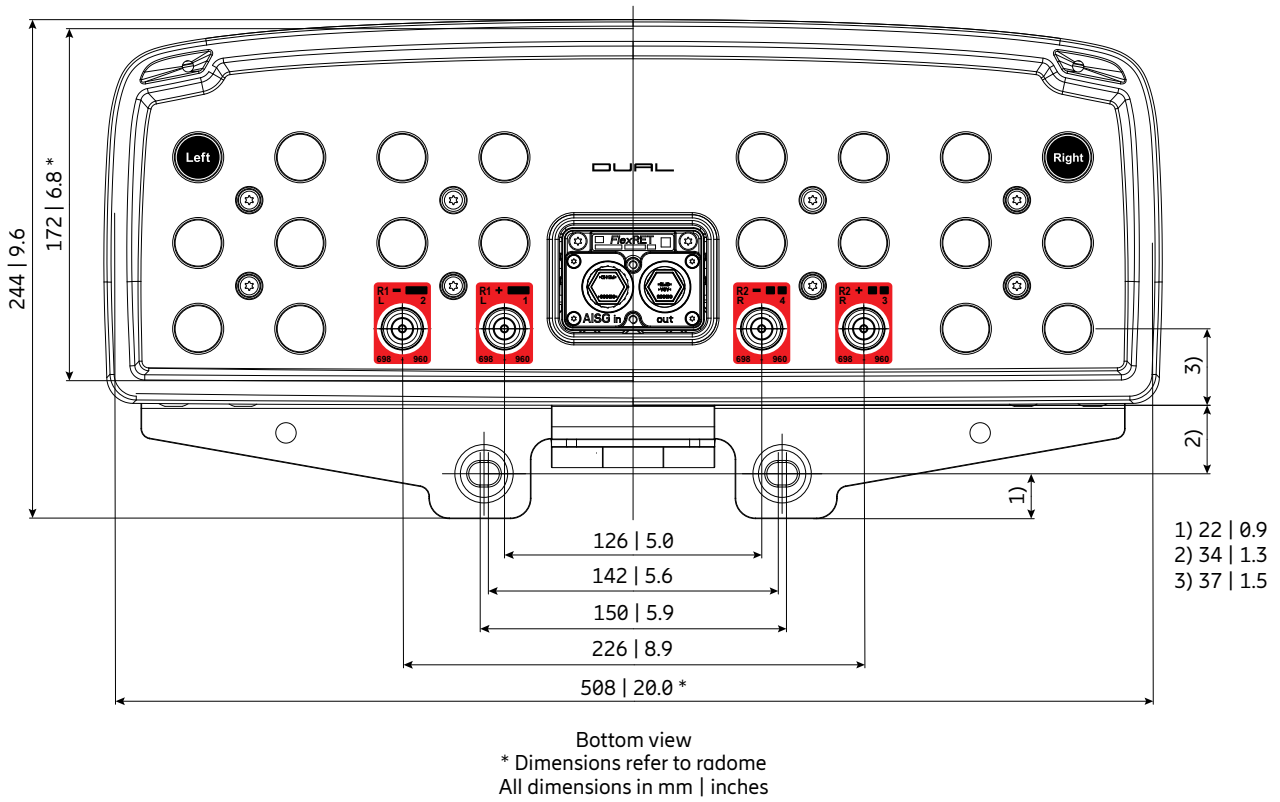


- 1) 22 | 0.9
- 2) 150 | 5.9
- 3) 142 | 5.6
- 4) 11 | 0.4

All dimensions in mm | inches

For more information please refer to the respective data sheets.

### Layout of interface



### Correlation Table

| Frequency range | Array | Connector / Ports |
|-----------------|-------|-------------------|
| 698–960 MHz     | R1    | 1–2               |
| 698–960 MHz     | R2    | 3–4               |







# Antenna 2001 2L 0M 2.6m

80010817

Capacity

Compact

Coverage

90° | 2x 790–960 MHz | 16.0 dBi

Electrical downtilt set by hand or by optional RCU (Remote Control Unit)

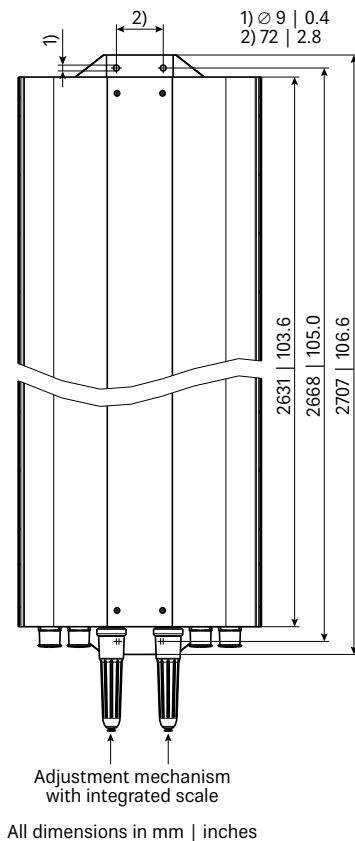


[ericsson.com/antenna-system](https://ericsson.com/antenna-system)



Scan or [click](#)

| Lowbands  |                  | R1; R2  |   |   |
|---|------------------|---|---|---|
| Frequency range   | MHz              | 790 – 862   | 824 – 894                               | 880 – 960                               |
| Polarization  | °                | +45, –45  | +45, –45                                | +45, –45                                |
| Average gain (dBi)<br>Tilt  | dBi<br>°         | 15.4 ... 15.4 ... 15.0<br>0 ... 4 ... 8                                   | 15.7 ... 15.7 ... 15.4<br>0 ... 4 ... 8 | 16.0 ... 16.1 ... 15.9<br>0 ... 4 ... 8 |
| <b>Horizontal Pattern:</b>  |                  |   |   |   |
| Half-power beam width   | °                | 93  | 90                                      | 87                                      |
| Front-to-back ratio (180°±0°)   | dB               | > 24  | > 24                                    | > 25                                    |
| Front-to-back ratio (180°±30°)  | dB               | > 20  | > 21                                    | > 22                                    |
| Cross polar ratio<br>Sector   | 0°<br>±60°<br>dB | Typically: 20<br>> 10   | Typically: 20<br>> 10                   | Typically: 18<br>> 10                   |
| <b>Vertical Pattern:</b>  |                  |   |   |   |
| Half-power beam width   | °                | 7.4   | 7.2                                     | 6.9                                     |
| Electrical tilt   | °                | 0–8, continuously adjustable  |   |   |
| Sidelobe suppression for first sidelobe<br>above main beam            | °T<br>dB         | 0 ... 4 ... 8<br>≥ 17 ... 17 ... 15                                       | 0 ... 4 ... 8<br>≥ 17 ... 17 ... 15     | 0 ... 4 ... 8<br>≥ 17 ... 17 ... 15     |
| Impedance   | Ω                | 50  |   |   |
| VSWR  |                  | < 1.5   |   |   |
| Isolation, between ports  | dB               | Intrasystem: > 27, Intersystem: > 27                                      |   |   |
| Intermodulation IM3   | dBc              | < –150 (2 x 43 dBm carrier)   |   |   |
| Max. effective power per port<br>Max. effective power for the antenna | W                | 400 (at 50 °C ambient temperature)<br>1200 (at 50 °C ambient temperature) |   |   |



### Mechanical specifications

|   |   |  |
|---|---|--|
| Input                                     | 4x 7-16 female  |  |
| Connector position                        | Bottom  |  |
| Adjustment mechanism                      | 2x, Position bottom continuously adjustable                         |  |
| Wind load (at Rated Wind Speed: 150 km/h) | N   lbf   | Frontal: 840   189<br>Maximal: 925   208             |
| Max. wind velocity                        | km/h<br>mph   | 200<br>124   |
| Height/width/depth                        | mm<br>inches  | 2631 / 374 / 106<br>103.6 / 14.7 / 4.2               |
| Category of mounting hardware             | H (Heavy)   |  |
| Weight                                    | kg<br>lb  | 23 / 25 (clamps incl.)<br>50.7 / 55.1 (clamps incl.) |
| Packing size                              | mm<br>inches  | 3055 x 133 x 388<br>120.0 x 5.2 x 15.3               |
| Scope of supply                           | Panel and 2 units of clamps for 42–115 mm   1.7–4.5 inches diameter |  |

## Accessories (order separately if required)

| Product No. | Description    | Remarks<br>mm   inches            | Units per antenna |
|-------------|----------------|-----------------------------------|-------------------|
| 85010002    | 1 clamp        | Mast diameter: 110–220   4.3–8.7  | 2                 |
| 85010003    | 1 clamp        | Mast diameter: 210–380   8.3–15.0 | 2                 |
| 85010009    | 1 downtilt kit | Downtilt angle: 0°–8°             | 1                 |

## Accessories (included in the scope of supply)

| Product No. | Description | Remarks<br>mm   inches          | Units per antenna |
|-------------|-------------|---------------------------------|-------------------|
| 738546      | 1 clamp     | Mast diameter: 42–115   1.7–4.5 | 2                 |

For downtilt mounting use the clamps for an appropriate mast diameter together with the downtilt kit.

**Material:** **Reflector screen:** Weather-proof aluminum.  
**Fiberglass radome:** The grey fiberglass radomes of these antennas are very stable and extraordinarily stiff. They are resistant to ultraviolet radiation and can also be painted to match their surroundings.  
**All screws and nuts:** Stainless steel or hot-dip galvanized steel.

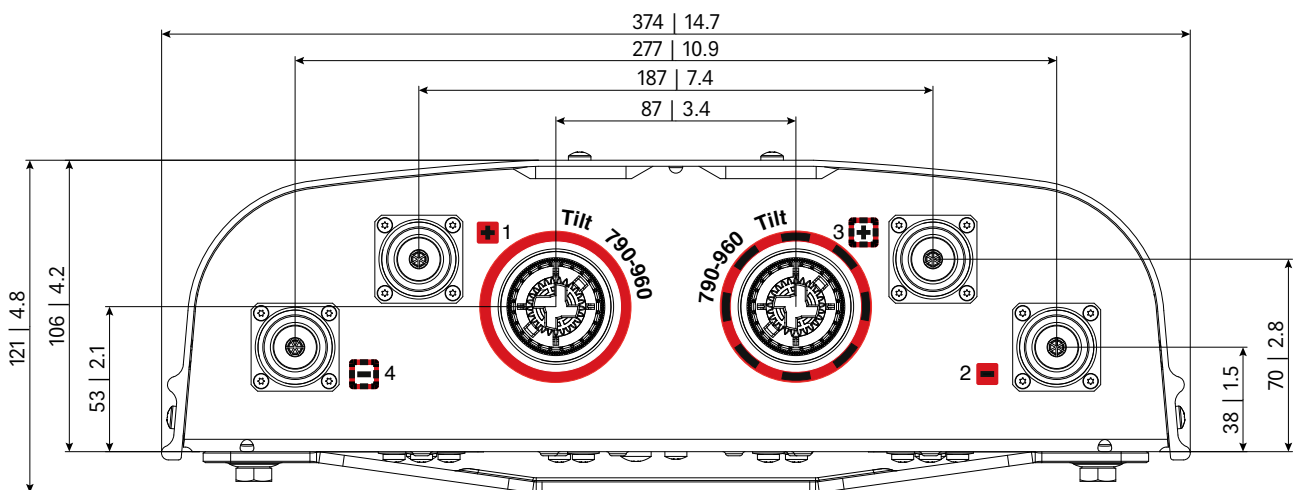
**Grounding:** The metal parts of the antenna including the mounting kit and the inner conductors are DC grounded.

## Correlation Table

| Frequency range | Array | Connector / Ports |
|-----------------|-------|-------------------|
| 790–960 MHz     | R1    | 1–2               |
| 790–960 MHz     | R2    | 3–4               |



## Layout of interface



Bottom view  
All dimensions in mm | inches



# Antenna 2002 2L 0M 2.5m

KRE 101 2412/1

Capacity

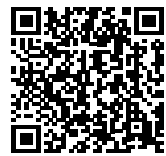
Compact

Coverage

65° | 2x 698–960 MHz | 16.5 dBi  
Electrical downtilt set by integrated RET



[ericsson.com/antenna-system](https://ericsson.com/antenna-system)



Scan or [click](#)

| Left side, lowband                          |     | R1, connector 1–2                  |            |            |            |
|---|-----|------------------------------------|------------|------------|------------|
| Frequency Range                             | MHz | 698 – 807                          | 791 – 862  | 824 – 894  | 880 – 960  |
| Gain at mid Tilt                            | dBi | 15.9                               | 16.5       | 16.6       | 17.1       |
| Gain over all Tilts                         | dBi | 15.9 ± 0.8                         | 16.5 ± 0.5 | 16.6 ± 0.5 | 17.0 ± 0.7 |
| <b>Horizontal Pattern:</b>                  |     |                                    |            |            |            |
| Azimuth Beamwidth                           | °   | 67 ± 3.3                           | 63 ± 3.0   | 62 ± 4.1   | 60 ± 3.4   |
| Front-to-Back Ratio, Total Power, ± 30°     | dB  | > 23                               | > 24       | > 23       | > 24       |
| <b>Vertical Pattern:</b>                    |     |                                    |            |            |            |
| Elevation Beamwidth                         | °   | 9.2 ± 0.8                          | 8.3 ± 0.4  | 8.0 ± 0.3  | 7.5 ± 0.5  |
| Electrical Downtilt continuously adjustable | °   | 0.0 – 10.0                         |            |            |            |
| Tilt Accuracy                               | °   | < 1.2                              | < 1.3      | < 1.2      | < 1.3      |
| First Upper Side Lobe Suppression           | dB  | > 15                               | > 16       | > 16       | > 16       |
| Cross Polar Isolation                       | dB  | > 27                               |            |            |            |
| Port to Port Isolation                      | dB  | >27 (R1 // R2)                     |            |            |            |
| Max. Effective Power per Port               | W   | 300 (at 50 °C ambient temperature) |            |            |            |

Values based on NGMN-P-BASTA (version 10.0) requirements.

| Right side, lowband                         |     | R2, connector 3–4                  |            |            |            |
|---|-----|------------------------------------|------------|------------|------------|
| Frequency Range                             | MHz | 698 – 807                          | 791 – 862  | 824 – 894  | 880 – 960  |
| Gain at mid Tilt                            | dBi | 16.0                               | 16.5       | 16.6       | 17.0       |
| Gain over all Tilts                         | dBi | 15.9 ± 0.8                         | 16.5 ± 0.5 | 16.6 ± 0.5 | 17.0 ± 0.7 |
| <b>Horizontal Pattern:</b>                  |     |                                    |            |            |            |
| Azimuth Beamwidth                           | °   | 68 ± 4.0                           | 63 ± 3.1   | 62 ± 4.4   | 60 ± 4.0   |
| Front-to-Back Ratio, Total Power, ± 30°     | dB  | > 23                               | > 23       | > 24       | > 25       |
| <b>Vertical Pattern:</b>                    |     |                                    |            |            |            |
| Elevation Beamwidth                         | °   | 9.1 ± 0.8                          | 8.2 ± 0.4  | 8.0 ± 0.3  | 7.5 ± 0.5  |
| Electrical Downtilt continuously adjustable | °   | 0.0 – 10.0                         |            |            |            |
| Tilt Accuracy                               | °   | < 1.1                              | < 1.2      | < 1.2      | < 1.3      |
| First Upper Side Lobe Suppression           | dB  | > 15                               | > 15       | > 15       | > 15       |
| Cross Polar Isolation                       | dB  | > 27                               |            |            |            |
| Port to Port Isolation                      | dB  | >27 (R2 // R1)                     |            |            |            |
| Max. Effective Power per Port               | W   | 300 (at 50 °C ambient temperature) |            |            |            |

Values based on NGMN-P-BASTA (version 10.0) requirements.

## Electrical specifications, all ports

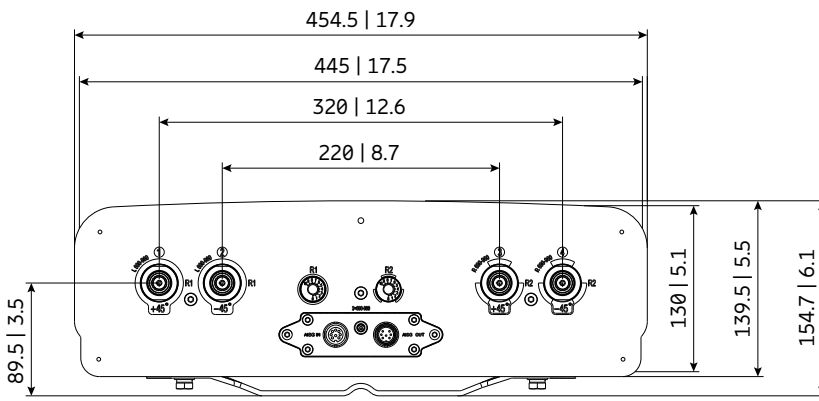
|                                      |            |                                    |
|--------------------------------------|------------|------------------------------------|
| Impedance                            | $\Omega$   | 50                                 |
| VSWR                                 |            | < 1.5                              |
| Return Loss                          | dB         | > 14                               |
| Interband Isolation                  | dB         | > 27                               |
| Passive Intermodulation              | dBc        | < -153 (2 x 43 dBm carrier)        |
| Polarization                         | $^{\circ}$ | -45, +45                           |
| Max. Effective Power for the Antenna | W          | 800 (at 50 °C ambient temperature) |

Values based on NGMN-P-BASTA (version 10.0) requirements.

## Mechanical specifications

|   |  |  |
|---|--|--|
| Input                                     | 4x 4.3-10 female   |  |
| Connector Position                        | bottom   |  |
| Adjustment Mechanism                      | Integrated RET, continuously adjustable  |  |
| Wind load (at Rated Wind Speed: 150 km/h) | N   lbf  | Frontal: 1450   326<br>Maximal: 1590   357               |
| Max. Wind Velocity                        | km/h<br>mph  | 200<br>124   |
| Height / Width / Depth                    | mm<br>inches   | 2500 / 445 / 130<br>98.4 / 17.5 / 5.1                    |
| Weight                                    | kg<br>lb   | 28.2 / 36.2 (clamps incl.)<br>62.2 / 79.8 (clamps incl.) |
| Packing Size                              | mm<br>inches   | 2845 / 550 / 205<br>112.0 / 21.7 / 8.1                   |
| Scope of Supply                           | Antenna, mounting kit incl. mech. Tilt-kit 0° to 10° tilt SXA 120 130/1; integrated RET - KRY 121 78/1 |  |

## Layout of interface



Bottom view  
All dimensions in mm | inches



## Correlation Table

| Frequency range | Array | Connector / Ports |
|-----------------|-------|-------------------|
| 698–960 MHz     | R1    | 1–2               |
| 698–960 MHz     | R2    | 3–4               |



R1

R2

Left

Right

# Single-Band Configuration nMB

Capacity

Compact

Coverage

| Product Name<br>Product No.               | Frequency MHz | HPBW ° | Gain dBi | Tilt ° | Connector type | Page   | 3C                 |          |
|---|---------------|--------|----------|--------|----------------|--------|--------------------|----------|
| <b>1x Midband</b>                         |               |        |          |        |                |        |                    |          |
| Antenna 1200 ØL 1M 1.5m<br>80010621V02    | 1x 1710–2690  | 65     | 18.0     | 2–14   | ESLS           | 7-16   | <a href="#">52</a> | Capacity |
| Antenna 1201 ØL 1M 1.3m<br>80010678       | 1x 1695–2690  | 35     | 19.5     | 2–10   |                | 7-16   | <a href="#">55</a> | Capacity |
| Antenna 1200 ØL 1M 0.3m<br>80010761       | 1x 1710–2690  | 65     | 12.0     | 4      |                | 7-16   | <a href="#">58</a> | Compact  |
| <b>2x Midband</b>                         |               |        |          |        |                |        |                    |          |
| Antenna 2200 ØL 2M 1.5m<br>80020622       | 2x 1695–2690  | 65     | 18.0     | 2–14   | ESLS           | 4.3-10 | <a href="#">61</a> | Capacity |
| Antenna 2500 ØL 2M 1.0m<br>80010922       | 2x 3300–3800  | 65     | 17.5     | 2–12   |                | 4.3-10 | <a href="#">65</a> | Capacity |
| Antenna 2200 ØL 2M 0.9m<br>80010682       | 2x 1710–2690  | 65     | 16.5     | 0–12   |                | 7-16   | <a href="#">69</a> | Compact  |
| Antenna 2200 ØL 2M 1.3m<br>KRE 101 2452/1 | 2x 1695–2690  | 65     | 18.0     | 0–10   |                | 4.3-10 | <a href="#">72</a> | Coverage |
| Antenna 2201 ØL 2M 1.7m<br>KRE 101 2523/1 | 2x 1710–2690  | 65     | 19.0     | 0–10   |                | 4.3-10 | <a href="#">75</a> | Coverage |
| <b>4x Midband</b>                         |               |        |          |        |                |        |                    |          |
| Antenna 2401 ØL 4M 1.2m<br>KRE 101 2406/1 | 4x 1695–2690  | 65     | 17.5     | 2–12   |                | 4.3-10 | <a href="#">79</a> | Compact  |

Abbreviations:  
ESLS Enhanced Side Lobe Suppression (above or below horizon)



# Antenna 1200 0L 1M 1.5m

80010621V02

Capacity

Compact

Coverage

65° | 1710–2690 MHz | 18.0 dBi ESLS

Electrical downtilt set by hand or by optional RCU (Remote Control Unit)



[ericsson.com/antenna-system](https://ericsson.com/antenna-system)



Scan or [click](#)



| Midband   |                                     | Y1   |  |  |  |
|---|-------------------------------------|--|--|--|--|
| Frequency range   | MHz                                 | 1710 – 1990  | 1920 – 2200  | 2200 – 2490  | 2490 – 2690  |
| Polarization  | °                                   | +45, –45   | +45, –45   | +45, –45   | +45, –45   |
| Gain  | dBi                                 | 17.4 ... 17.6 ... 17.5   | 17.9 ... 18.2 ... 18.1                                     | 18.4 ... 18.5 ... 18.5                                     | 18.5 ... 19.0 ... 18.5                                     |
| Tilt  | °                                   | 2 ... 8 ... 14   | 2 ... 8 ... 14   | 2 ... 8 ... 14   | 2 ... 8 ... 14   |
| <b>Horizontal Pattern:</b>  |                                     |  |  |  |  |
| Half-power beam width   | °                                   | 68   | 63   | 59   | 58   |
| Front-to-back ratio (180°±30°)  | dB                                  | > 25   | > 25   | > 25   | > 25   |
| Cross polar ratio<br>Sector   | $\theta^\circ$<br>$\pm 60^\circ$ dB | Typically: 25<br>> 10  | Typically: 24<br>> 10                                      | Typically: 25<br>> 10                                      | Typically: 25<br>> 10                                      |
| Tracking, Avg.  | dB                                  | 1.5  |  |  |  |
| <b>Vertical Pattern:</b>  |                                     |  |  |  |  |
| Half-power beam width   | °°                                  | 6.7  | 6.0  | 5.3  | 5.0  |
| Electrical tilt   |                                     | 2 – 14, continuously adjustable  |  |  |  |
| Sidelobe suppression<br>– for first sidelobe above main beam<br>– within $\theta^\circ$ –20° sector above horizon | °T<br>dB<br>dB                      | 2 ... 8 ... 14<br>≥ 18 ... 18 ... 18<br>≥ 17 ... 17 ... 16               | 2 ... 8 ... 14<br>≥ 18 ... 18 ... 18<br>≥ 17 ... 17 ... 16 | 2 ... 8 ... 14<br>≥ 18 ... 18 ... 18<br>≥ 17 ... 17 ... 16 | 2 ... 8 ... 14<br>≥ 18 ... 18 ... 18<br>≥ 17 ... 17 ... 14 |
| Impedance   | Ω                                   | 50   |  |  |  |
| VSWR  |                                     | < 1.5  |  |  |  |
| Isolation, between ports  | dB                                  | > 30   |  |  |  |
| Intermodulation IM3   | dBc                                 | < –150 (2 x 43 dBm carrier)  |  |  |  |
| Max. effective power per port<br>Max. effective power for the antenna   | W                                   | 250 (at 50 °C ambient temperature)<br>500 (at 50 °C ambient temperature) |  |  |  |

## Mechanical specifications

|  |   |   |
|--|---|---|
| Input  | 2x 7-16 female  |   |
| Connector position                           | Bottom  |   |
| Adjustment mechanism                         | 1x, Position bottom<br>continuously adjustable                                |   |
| Wind load (at Rated<br>Wind Speed: 150 km/h) | N   lbf   | Frontal: 250   57<br>Maximal: 275   62                |
| Max. wind velocity                           | km/h<br>mph   | 200<br>124  |
| Height/width/depth                           | mm<br>inches  | 1452 / 154 / 70<br>57.2 / 6.0 / 2.8                   |
| Category of mounting hardware                | M (Medium)  |   |
| Weight                                       | kg<br>lb  | 6.5 / 8.5 (clamps incl.)<br>4.3 / 18.7 (clamps incl.) |
| Packing size                                 | mm<br>inches  | 1725 x 172 x 92<br>7.9 x 6.8 x 3.6                    |
| <b>Scope of supply</b>                       | Panel and 2 units of clamps<br>for 42 – 115 mm  <br>1.7 – 4.5 inches diameter |   |

## Accessories (order separately if required)

| Product No. | Description    | Remarks<br>mm   inches                | Units per<br>antenna |
|-------------|----------------|---------------------------------------|----------------------|
| 731651      | 1 clamp        | Mast diameter: 28 – 60   1.1 – 2.4    | 2                    |
| 85010002    | 1 clamp        | Mast diameter: 110 – 220   4.3 – 8.7  | 2                    |
| 85010003    | 1 clamp        | Mast diameter: 210 – 380   8.3 – 15.0 | 2                    |
| 737978      | 1 downtilt kit | Downtilt angle: 0°–15°                | 1                    |

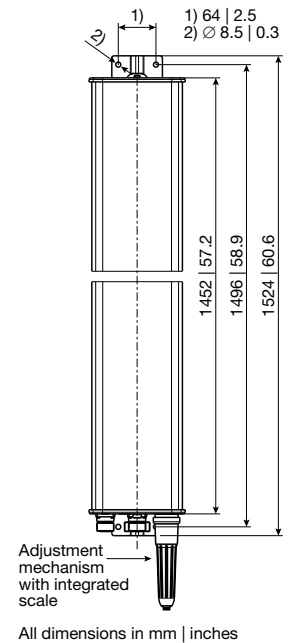
## Accessories (included in the scope of supply)

| Product No. | Description | Remarks<br>mm   inches              | Units per<br>antenna |
|-------------|-------------|-------------------------------------|----------------------|
| 738546      | 1 clamp     | Mast diameter: 42 – 115   1.7 – 4.5 | 2                    |

For downtilt mounting use the clamps for an appropriate mast diameter together with the downtilt kit.  
Wall mounting: No additional mounting kit needed.

**Material:** **Reflector screen:** Aluminum. **Radiator:** Tin-plated zinc.  
**Flat fiberglass radome:** The max. radome depth is only 70 mm | 2.8 inches.  
Fiberglass material guarantees optimum performance with regards to stability, stiffness, UV resistance and painting.  
The color of the radome is grey.  
**All screws and nuts:** Stainless steel.

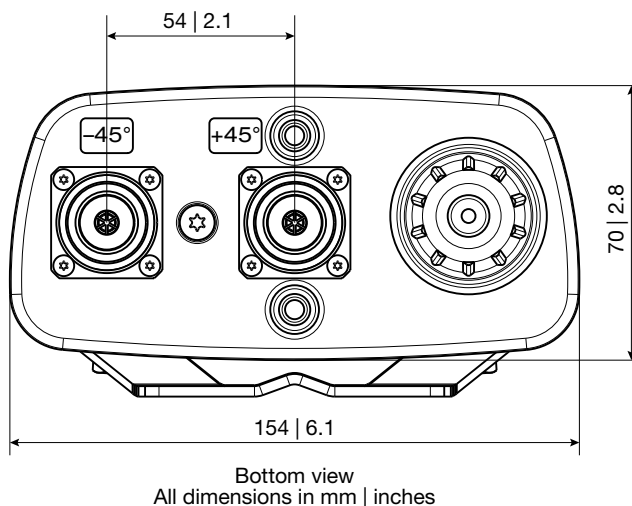
**Grounding:** The metal parts of the antenna including the mounting kit and the inner conductors are DC grounded.



## Correlation Table

| Frequency range | Array | Connector / Ports |
|-----------------|-------|-------------------|
| 1710–2690 MHz   | Y1    | 1–2               |

## Layout of interface



Y1

nMB



# Antenna 1201 0L 1M 1.3m

80010678

Capacity

Compact

Coverage

35° | 1695–2690 MHz | 19.5 dBi

Electrical downtilt set by hand or by optional RCU (Remote Control Unit)



[ericsson.com/antenna-system](https://ericsson.com/antenna-system)



Scan or [click](#)

| Midband   |     | Y1, connector 1–2                  |             |             |             |             |
|---|-----|------------------------------------|-------------|-------------|-------------|-------------|
| Frequency Range   | MHz | 1695 – 1880                        | 1850 – 1990 | 1920 – 2170 | 2300 – 2400 | 2500 – 2690 |
| Gain at mid Tilt  | dBi | 18.6                               | 19.2        | 19.4        | 19.8        | 19.6        |
| Gain over all Tilts                                     | dBi | 18.5 ± 0.4                         | 19.1 ± 0.3  | 19.4 ± 0.3  | 19.7 ± 0.5  | 19.5 ± 0.9  |
| <b>Horizontal Pattern:</b>                              |     |                                    |             |             |             |             |
| Azimuth Beamwidth                                       | °   | 43 ± 3.1                           | 39 ± 1.7    | 38 ± 1.3    | 36 ± 0.7    | 33 ± 0.8    |
| Front-to-Back Ratio, Total Power, ± 30°                 | dB  | > 20                               | > 21        | > 23        | > 25        | > 23        |
| Cross Polar Discrimination at Boresight                 | dB  | > 22                               | > 23        | > 21        | > 20        | > 11        |
| Cross Polar Discrimination over Sector                  | dB  | > 15.0                             | > 16.5      | > 16.5      | > 13.0      | > 7.5       |
| <b>Vertical Pattern:</b>                                |     |                                    |             |             |             |             |
| Elevation Beamwidth                                     | °   | 7.8 ± 0.5                          | 7.3 ± 0.2   | 7.1 ± 0.3   | 6.4 ± 0.3   | 5.8 ± 0.4   |
| Electrical Downtilt continuously adjustable             | °   | 2.0 – 10.0                         |             |             |             |             |
| Tilt Accuracy   | °   | < 0.5                              | < 0.2       | < 0.2       | < 0.2       | < 0.2       |
| First Upper Side Lobe Suppression                       | dB  | > 19                               | > 21        | > 22        | > 20        | > 18        |
| Upper Side Lobe Suppression, 20° Sector above Main Beam | dB  | > 15                               | > 19        | > 19        | > 18        | > 14        |
| Cross Polar Isolation                                   | dB  | > 28                               |             |             |             |             |
| Max. Effective Power per Port                           | W   | 200 (at 50 °C ambient temperature) |             |             |             |             |

Values based on NGMN-P-BASTA (version 9.6) requirements.

### Electrical specifications, all systems

|                                      |     |                                    |
|--------------------------------------|-----|------------------------------------|
| Impedance                            | Ω   | 50                                 |
| VSWR                                 |     | < 1.5                              |
| Return Loss                          | dB  | > 14                               |
| Interband Isolation                  | dB  | > 28                               |
| Passive Intermodulation              | dBc | < -150 (2 x 43 dBm carrier)        |
| Polarization                         | °   | +45, -45                           |
| Max. Effective Power for the Antenna | W   | 400 (at 50 °C ambient temperature) |

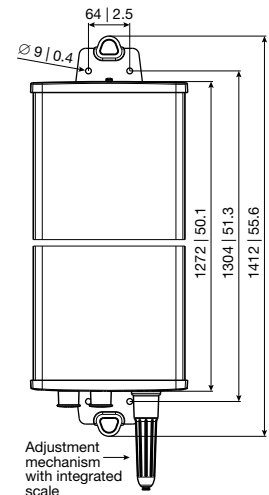
Values based on NGMN-P-BASTA (version 9.6) requirements.

### Mechanical specifications

|   |   |   |
|---|---|---|
| Input                                     | 2x 7-16 female  |   |
| Connector Position                        | bottom  |   |
| Adjustment Mechanism                      | 1x, Position bottom continuously adjustable                         |   |
| Wind load (at Rated Wind Speed: 150 km/h) | N   lbf   | Frontal: 410   192<br>Maximal: 450   101                |
| Max. Wind Velocity                        | km/h<br>mph   | 200<br>124  |
| Height / Width / Depth                    | mm<br>inches  | 1272 / 235 / 69<br>50.1 / 9.3 / 2.7                     |
| Category of Mounting Hardware             | M (Medium)  |   |
| Weight                                    | kg<br>lb  | 9.2 / 11.4 (clamps incl.)<br>20.3 / 25.1 (clamps incl.) |
| Packing Size                              | mm<br>inches  | 1617 / 257 / 103<br>63.7 / 10.1 / 4.1                   |
| Scope of Supply                           | Panel and 2 units of clamps for 42–115 mm   1.7–4.5 inches diameter |   |

## Accessories (order separately if required)

| Product No. | Description    | Remarks<br>mm   inches                | Units per<br>antenna |
|-------------|----------------|---------------------------------------|----------------------|
| 731651      | 1 clamp        | Mast diameter: 28 – 60   1.1 – 2.4    | 2                    |
| 85010002    | 1 clamp        | Mast diameter: 110 – 220   4.3 – 8.7  | 2                    |
| 85010003    | 1 clamp        | Mast diameter: 210 – 380   8.3 – 15.0 | 2                    |
| 737978      | 1 downtilt kit | Downtilt angle: 0°–15°                | 1                    |



## Accessories (included in the scope of supply)

| Product No. | Description | Remarks<br>mm   inches              | Units per<br>antenna |
|-------------|-------------|-------------------------------------|----------------------|
| 738546      | 1 clamp     | Mast diameter: 42 – 115   1.7 – 4.5 | 2                    |

For downtilt mounting use the clamps for an appropriate mast diameter together with the downtilt kit.  
Wall mounting: No additional mounting kit needed.

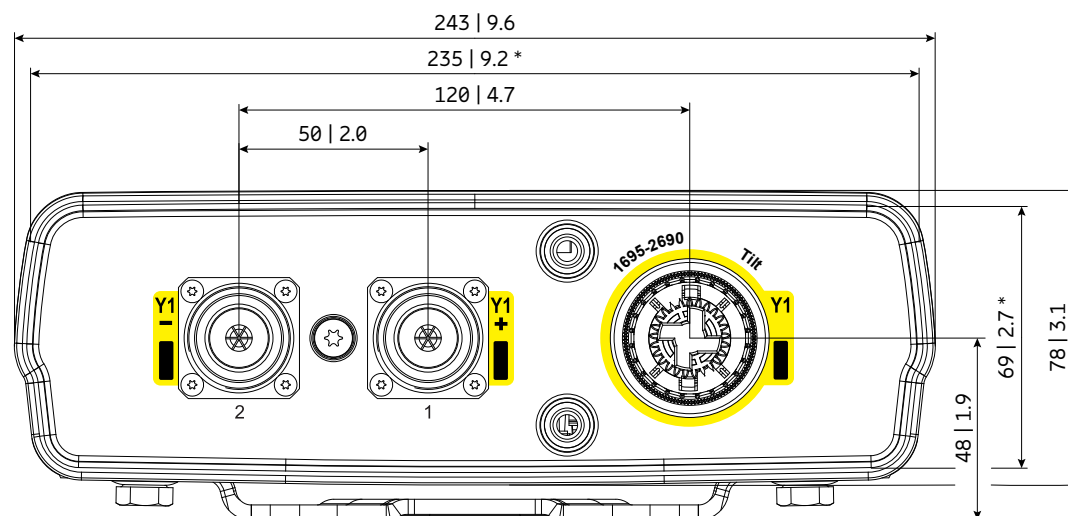
**Material:** Reflector screen: Aluminum. Radiator: Tin-plated zinc.  
Flat fiberglass radome: Fiberglass material guarantees optimum performance with regards to stability, stiffness, UV resistance and painting. The color of the radome is grey.  
All screws and nuts: Stainless steel.

**Grounding:** The metal parts of the antenna including the mounting kit and the inner conductors are DC grounded.

## Correlation Table

| Frequency range | Array | Connector / Ports |
|-----------------|-------|-------------------|
| 1695–2690 MHz   | Y1    | 1–2               |

## Layout of interface



Bottom view  
\* Dimensions refer to radome  
All dimensions in mm | inches



nMB

# Antenna 1200 0L 1M 0.3m

80010761

Capacity

Compact

Coverage

65° | 1710–2690 MHz | 12.0 dBi



[ericsson.com/antenna-system](https://ericsson.com/antenna-system)



Scan or [click](#)

## Midband

## Y1

| Frequency range                              | MHz                                    | 1710 – 1990                        | 1920 – 2200            | 2200 – 2490            | 2490 – 2690            |
|--|--|------------------------------------|------------------------|------------------------|------------------------|
| Polarization                                 | °                                      | +45, –45                           | +45, –45               | +45, –45               | +45, –45               |
| Gain   | dBi                                    | 11                                 | 11.5                   | 12.2                   | 12.7                   |
| <b>Horizontal Pattern:</b>                   |  |                                    |                        |                        |                        |
| Half-power beam width                        | °                                      | 67                                 | 65                     | 60                     | 58                     |
| Front-to-back ratio, copolar                 | dB                                     | > 30                               | > 28                   | > 28                   | > 27                   |
| Cross polar ratio<br>Maindirection<br>Sector | $\theta^\circ$<br>$\pm 60^\circ$<br>dB | Typically: > 20<br>> 8             | Typically: > 20<br>> 8 | Typically: > 20<br>> 8 | Typically: > 20<br>> 8 |
| <b>Vertical Pattern:</b>                     |  |                                    |                        |                        |                        |
| Half-power beam width                        | °                                      | 36                                 | 31                     | 25                     | 25                     |
| Electrical tilt                              | °                                      | 3, fixed                           | 3, fixed               | 4, fixed               | 4, fixed               |
| Impedance                                    | $\Omega$                               | 50                                 |                        |                        |                        |
| VSWR   |  | < 1.5                              |                        |                        |                        |
| Isolation, between ports                     | dB                                     | > 28                               |                        |                        |                        |
| Intermodulation IM3                          | dBc                                    | < –150 (2 x 43 dBm carrier)        |                        |                        |                        |
| Max. power per input                         | W                                      | 150 (at 50 °C ambient temperature) |                        |                        |                        |



## Mechanical specifications

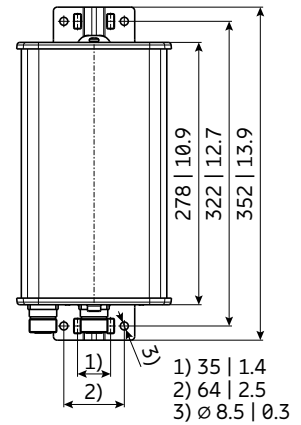
|  |   |  |
|--|---|--|
| Input  | 2 x 7-16 female   |  |
| Connector position                           | Bottom  |  |
| Wind load (at Rated<br>Wind Speed: 150 km/h) | N   lbf   | Frontal: 55   12<br>Maximal: 55   12                   |
| Max. wind velocity                           | km/h<br>mph   | 200<br>124   |
| Height/width/depth                           | mm<br>inches  | 278 / 154 / 69<br>10.9 / 6.1 / 2.7                     |
| Category of mounting hardware                | L (Light)   |  |
| Weight                                       | kg<br>lb  | 1.8 (tension bands incl.)<br>4.0 (tension bands incl.) |
| Packing size                                 | mm<br>inches  | 375 x 172 x 92<br>14.8 x 6.8 x 39.1                    |
| Scope of supply                              | Panel and 1 unit of tension<br>bands for 45 – 125 mm  <br>1.8 – 4.9 inches diameter |  |

## Correlation Table

| Frequency range | Array | Connector |
|-----------------|-------|-----------|
| 1710–2690 MHz   | Y1    | 1–2       |

## Accessories (order separately if required)

| Product No. | Description     | Remarks<br>mm   inches                | Units per<br>antenna |
|-------------|-----------------|---------------------------------------|----------------------|
| 734360      | 2 tension bands | Mast diameter: 34 – 60   1.3 – 2.4    | 1                    |
| 734364      | 2 tension bands | Mast diameter: 120 – 140   4.7 – 5.5  | 1                    |
| 731651      | 1 clamp         | Mast diameter: 28 – 60   1.1 – 2.4    | 2                    |
| 85010002    | 1 clamp         | Mast diameter: 110 – 220   4.3 – 8.7  | 2                    |
| 85010003    | 1 clamp         | Mast diameter: 210 – 380   8.3 – 15.0 | 2                    |
| 737978      | 1 downtilt kit  | Downtilt angle: 0°–36°                | 1                    |



All dimensions  
in mm | inches

## Accessories (included in the scope of supply)

| Product No. | Description | Remarks<br>mm   inches              | Units per<br>antenna |
|-------------|-------------|-------------------------------------|----------------------|
| 738546      | 1 clamp     | Mast diameter: 42 – 115   1.7 – 4.5 | 2                    |

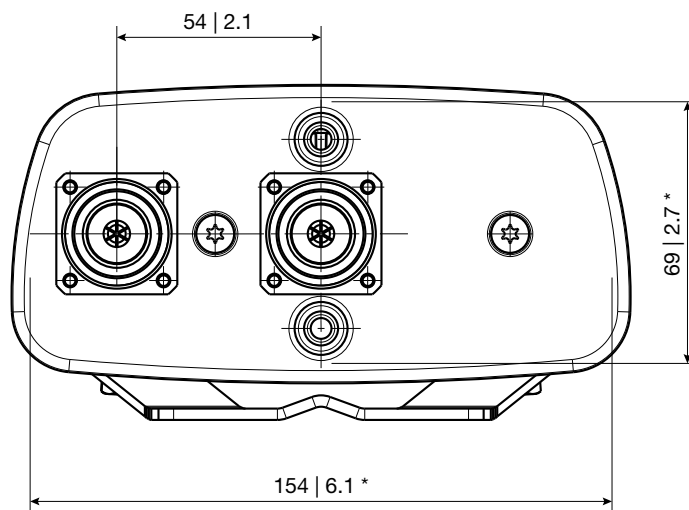
For downtilt mounting use the clamps for an appropriate mast diameter together with the downtilt kit.  
Wall mounting: No additional mounting kit needed.

**Please note:** Using a downtilt kit is only possible in combination with clamps 731651, 738546 or 85010002 or 85010003.

**Material:** Reflector screen: Aluminum. Radiator: Tin-plated zinc.  
Flat fiberglass radome: The max. radome depth is only 69 mm. Fiberglass material guarantees optimum performance with regards to stability, stiffness, UV resistance and painting. The color of the radome is grey.  
All nuts and bolts: Stainless steel.

**Grounding:** The metal parts of the antenna including the mounting kit and the inner conductors are DC grounded.

## Layout of interface



Bottom view  
\* Dimensions refer to radome  
All dimensions in mm | inches





nMB

# Antenna 2200 0L 2M 1.5m

80020622

Capacity

Compact

Coverage

65° | 2x 1695–2690 MHz | 18.0 dBi

Electrical downtilt set by hand or by optional RCU (Remote Control Unit)



[ericsson.com/antenna-system](https://ericsson.com/antenna-system)



Scan or [click](#)

| Left side, midband                                      |     | Y1, connector 1–2                  |             |             |             |
|---|-----|------------------------------------|-------------|-------------|-------------|
| Frequency Range   | MHz | 1695 – 1880                        | 1920 – 2180 | 2300 – 2400 | 2490 – 2690 |
| Gain at mid Tilt  | dBi | 17.4                               | 18.0        | 18.6        | 18.8        |
| Gain over all Tilts                                     | dBi | 17.3 ± 0.4                         | 17.9 ± 0.4  | 18.3 ± 0.4  | 18.6 ± 0.4  |
| <b>Horizontal Pattern:</b>                              |     |                                    |             |             |             |
| Azimuth Beamwidth                                       | °   | 66 ± 3.2                           | 63 ± 2.6    | 60 ± 3.5    | 56 ± 2.6    |
| Front-to-Back Ratio, Total Power, ± 30°                 | dB  | > 24                               | > 24        | > 26        | > 23        |
| Cross Polar Discrimination at Boresight                 | dB  | > 22                               | > 22        | > 22        | > 18        |
| Cross Polar Discrimination over Sector                  | dB  | > 12.5                             | > 10.0      | > 9.5       | > 13.0      |
| <b>Vertical Pattern:</b>                                |     |                                    |             |             |             |
| Elevation Beamwidth                                     | °   | 6.8 ± 0.5                          | 6.1 ± 0.5   | 5.2 ± 0.3   | 4.9 ± 0.3   |
| Electrical Downtilt continuously adjustable             | °   | 2.0 – 14.0                         |             |             |             |
| Tilt Accuracy   | °   | < 0.3                              | < 0.3       | < 0.2       | < 0.2       |
| First Upper Side Lobe Suppression                       | dB  | > 20                               | > 20        | > 20        | > 20        |
| Upper Side Lobe Suppression, 20° Sector above Main Beam | dB  | > 17                               | > 17        | > 16        | > 16        |
| Cross Polar Isolation                                   | dB  | > 30                               |             |             |             |
| Port to Port Isolation                                  | dB  | > 30 (Y1 // Y2)                    |             |             |             |
| Max. Effective Power per Port                           | W   | 250 (at 50 °C ambient temperature) |             |             |             |
| Max. Effective Power Ports Y1                           | W   | 500 (at 50 °C ambient temperature) |             |             |             |

Values based on NGMN-P-BASTA (version 9.6) requirements.

| Right side, midband                                     |     | Y2, connector 3–4                  |             |             |             |
|---|-----|------------------------------------|-------------|-------------|-------------|
| Frequency Range   | MHz | 1695 – 1880                        | 1920 – 2180 | 2300 – 2400 | 2490 – 2690 |
| Gain at mid Tilt  | dBi | 17.2                               | 17.9        | 18.6        | 18.9        |
| Gain over all Tilts                                     | dBi | 17.1 ± 0.4                         | 17.8 ± 0.5  | 18.4 ± 0.4  | 18.7 ± 0.5  |
| <b>Horizontal Pattern:</b>                              |     |                                    |             |             |             |
| Azimuth Beamwidth                                       | °   | 68 ± 3.8                           | 64 ± 4.1    | 59 ± 2.6    | 55 ± 2.0    |
| Front-to-Back Ratio, Total Power, ± 30°                 | dB  | > 25                               | > 26        | > 25        | > 23        |
| Cross Polar Discrimination at Boresight                 | dB  | > 22                               | > 22        | > 22        | > 19        |
| Cross Polar Discrimination over Sector                  | dB  | > 13.5                             | > 11.0      | > 9.5       | > 12.0      |
| <b>Vertical Pattern:</b>                                |     |                                    |             |             |             |
| Elevation Beamwidth                                     | °   | 6.8 ± 0.4                          | 6.0 ± 0.5   | 5.2 ± 0.3   | 4.8 ± 0.2   |
| Electrical Downtilt continuously adjustable             | °   | 2.0 – 14.0                         |             |             |             |
| Tilt Accuracy   | °   | < 0.3                              | < 0.3       | < 0.2       | < 0.2       |
| First Upper Side Lobe Suppression                       | dB  | > 19                               | > 19        | > 20        | > 20        |
| Upper Side Lobe Suppression, 20° Sector above Main Beam | dB  | > 18                               | > 17        | > 17        | > 15        |
| Cross Polar Isolation                                   | dB  | > 30                               |             |             |             |
| Port to Port Isolation                                  | dB  | > 30 (Y2 // Y1)                    |             |             |             |
| Max. Effective Power per Port                           | W   | 250 (at 50 °C ambient temperature) |             |             |             |
| Max. Effective Power Ports Y2                           | W   | 500 (at 50 °C ambient temperature) |             |             |             |

Values based on NGMN-P-BASTA (version 9.6) requirements.

## Electrical specifications, all ports

|                                      |          |                                    |
|--------------------------------------|----------|------------------------------------|
| Impedance                            | $\Omega$ | 50                                 |
| VSWR                                 |          | < 1.5                              |
| Return Loss                          | dB       | > 14                               |
| Interband Isolation                  | dB       | > 30                               |
| Passive Intermodulation              | dBc      | < -153 (2 x 43 dBm carrier)        |
| Polarization                         | °        | -45, +45                           |
| Max. Effective Power for the Antenna | W        | 700 (at 50 °C ambient temperature) |

Values based on NGMN-P-BASTA (version 9.6) requirements.

## Mechanical specifications

|   |   |  |
|---|---|--|
| Input                                     | 4x 4.3-10 female  |  |
| Connector Position                        | bottom  |  |
| Adjustment Mechanism                      | 2x, Position bottom continuously adjustable                         |  |
| Wind load (at Rated Wind Speed: 150 km/h) | N   lbf   | Frontal: 565   127<br>Maximal: 620   139                 |
| Max. Wind Velocity                        | km/h<br>mph   | 200<br>124   |
| Height / Width / Depth                    | mm<br>inches  | 1471 / 275 / 86<br>57.9 / 10.8 / 3.4                     |
| Category of Mounting Hardware             | M (Medium)  |  |
| Weight                                    | kg<br>lb  | 13.0 / 15.2 (clamps incl.)<br>28.7 / 33.5 (clamps incl.) |
| Packing Size                              | mm<br>inches  | 1791 / 298 / 119<br>70.5 / 11.7 / 4.7                    |
| Scope of Supply                           | Panel and 2 units of clamps for 42–115 mm   1.7–4.5 inches diameter |  |

## Accessories (order separately if required)

| Product No. | Description    | Remarks<br>mm   inches                | Units per antenna |
|-------------|----------------|---------------------------------------|-------------------|
| 731651      | 1 clamp        | Mast diameter: 28 – 60   1.1 – 2.4    | 2                 |
| 85010002    | 1 clamp        | Mast diameter: 110 – 220   4.3 – 8.7  | 2                 |
| 85010003    | 1 clamp        | Mast diameter: 210 – 380   8.3 – 15.0 | 2                 |
| 737978      | 1 downtilt kit | Downtilt angle: 0°–15°                | 1                 |

## Accessories (included in the scope of supply)

| Product No. | Description | Remarks<br>mm   inches              | Units per antenna |
|-------------|-------------|-------------------------------------|-------------------|
| 738546      | 1 clamp     | Mast diameter: 42 – 115   1.7 – 4.5 | 2                 |

For downtilt mounting use the clamps for an appropriate mast diameter together with the downtilt kit.

Wall mounting: No additional mounting kit needed.

**Material:**

**Reflector screen:** Aluminum.

**Radiator:** Tin-plated zinc.

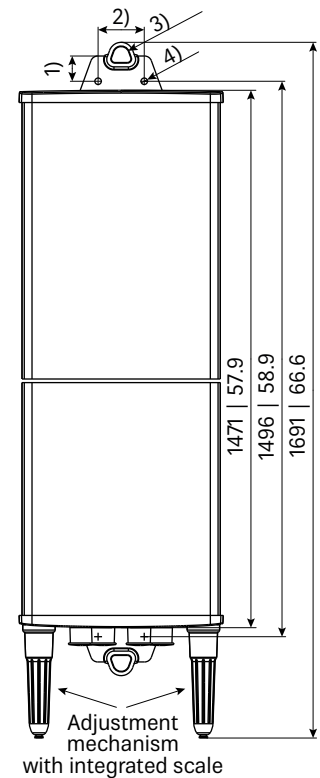
**Flat fiberglass radome:** The max. radome depth is only 86 mm | 3.4 inches. Fiberglass material guarantees optimum performance with regards to stability, stiffness, UV resistance and painting.

The color of the radome is grey.

**All screws and nuts:** Stainless steel.

**Grounding:**

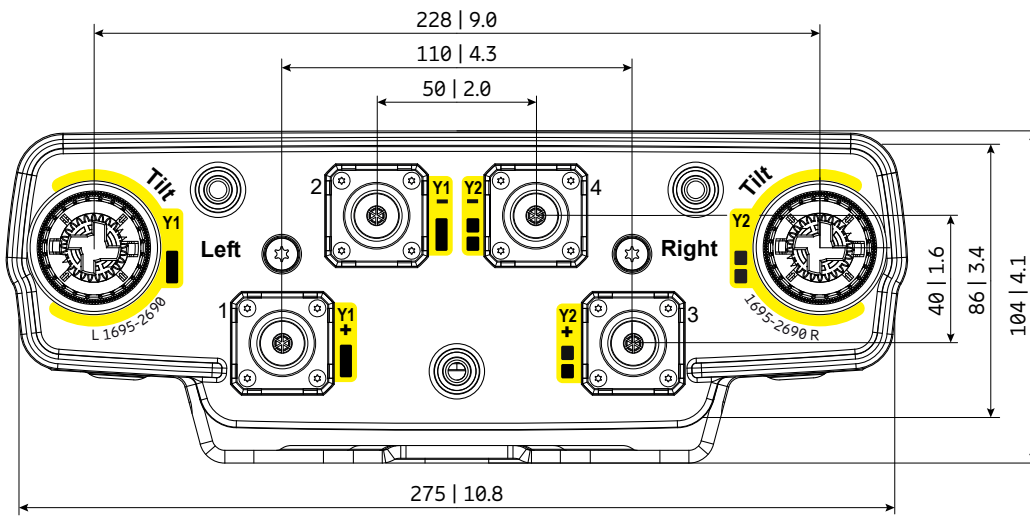
The metal parts of the antenna including the mounting kit and the inner conductors are DC grounded.



- 1) 35 | 1.4      3)  $\varnothing$  22 | 0.9  
2) 64 | 2.5      4)  $\varnothing$  9 | 0.4

All dimensions in mm | inches

## Layout of interface



Bottom view  
All dimensions in mm | inches

## Correlation Table

| Frequency range | Array | Connector / Ports |
|-----------------|-------|-------------------|
| 1695–2690 MHz   | Y1    | 1–2               |
| 1695–2690 MHz   | Y2    | 3–4               |





nMB

# Antenna 2500 0L 2M 1.0m

80010922

Capacity

Compact

Coverage

65° | 2x 3300–3800 MHz | 17.5 dBi

Electrical downtilt set by hand or by optional RCU (Remote Control Unit)



[ericsson.com/antenna-system](https://ericsson.com/antenna-system)



Scan or [click](#)

| Left side, midband                                      |     | P1, connector 1 – 2                    |             |
|---|-----|--|-------------|
| Frequency Range   | MHz | 3300 – 3590                            | 3600 – 3800 |
| Gain at mid Tilt  | dBi | 17.5                                   | 17.6        |
| Gain over all Tilts                                     | dBi | 17.3 ± 0.4                             | 17.4 ± 0.5  |
| <b>Horizontal Pattern:</b>                              |     |  |             |
| Azimuth Beamwidth                                       | °   | 66 ± 4.6                               | 63 ± 4.9    |
| Front-to-Back Ratio, Total Power, ± 30°                 | dB  | > 23                                   | > 21        |
| Cross Polar Discrimination over Sector                  | dB  | > 12.0                                 | > 9.0       |
| Azimuth Beam Port-to-Port Tracking                      | dB  | < 1.0                                  | < 1.5       |
| <b>Vertical Pattern:</b>                                |     |  |             |
| Elevation Beamwidth                                     | °   | 6.0 ± 0.3                              | 5.6 ± 0.3   |
| Electrical Downtilt continuously adjustable             | °   | 2.0 – 12.0<br>(P1 + P2 simultaneously) |             |
| Tilt Accuracy   | °   | < 0.4                                  | < 0.4       |
| First Upper Side Lobe Suppression                       | dB  | > 24                                   | > 23        |
| Upper Side Lobe Suppression, 20° Sector above Main Beam | dB  | > 17                                   | > 18        |
| Cross Polar Isolation                                   | dB  | > 25, typ. > 28                        |             |
| Port to Port Isolation                                  | dB  | > 27, typ. > 30 (P1 // P2)             |             |
| Max. Effective Power per Port                           | W   | 150 (at 50 °C ambient temperature)     |             |
| Max. Effective Power Ports P1                           | W   | 300 (at 50 °C ambient temperature)     |             |

Values based on NGMN-P-BASTA (version 9.6) requirements.

| Right side, midband                                     |     | P2, connector 3 – 4                    |             |
|---|-----|--|-------------|
| Frequency Range   | MHz | 3300 – 3590                            | 3600 – 3800 |
| Gain at mid Tilt  | dBi | 17.5                                   | 17.8        |
| Gain over all Tilts                                     | dBi | 17.3 ± 0.5                             | 17.6 ± 0.4  |
| <b>Horizontal Pattern:</b>                              |     |  |             |
| Azimuth Beamwidth                                       | °   | 67 ± 3.8                               | 63 ± 4.1    |
| Front-to-Back Ratio, Total Power, ± 30°                 | dB  | > 23                                   | > 25        |
| Cross Polar Discrimination over Sector                  | dB  | > 12.0                                 | > 9.0       |
| Azimuth Beam Port-to-Port Tracking                      | dB  | < 1.5                                  | < 1.5       |
| <b>Vertical Pattern:</b>                                |     |  |             |
| Elevation Beamwidth                                     | °   | 5.9 ± 0.4                              | 5.6 ± 0.3   |
| Electrical Downtilt continuously adjustable             | °   | 2.0 – 12.0<br>(P1 + P2 simultaneously) |             |
| Tilt Accuracy   | °   | < 0.3                                  | < 0.3       |
| First Upper Side Lobe Suppression                       | dB  | > 22                                   | > 22        |
| Upper Side Lobe Suppression, 20° Sector above Main Beam | dB  | > 17                                   | > 17        |
| Cross Polar Isolation                                   | dB  | > 25, typ. > 28                        |             |
| Port to Port Isolation                                  | dB  | > 27, typ. > 30 (P2 // P1)             |             |
| Max. Effective Power per Port                           | W   | 150 (at 50 °C ambient temperature)     |             |
| Max. Effective Power Ports P2                           | W   | 300 (at 50 °C ambient temperature)     |             |

Values based on NGMN-P-BASTA (version 9.6) requirements.

## Electrical specifications, all ports

|                                      |            |                                    |
|--------------------------------------|------------|------------------------------------|
| Impedance                            | $\Omega$   | 50                                 |
| VSWR                                 |            | < 1.5                              |
| Return Loss                          | dB         | > 14                               |
| Interband Isolation                  | dB         | > 28                               |
| Passive Intermodulation              | dBc        | < -150 (2 x 43 dBm carrier)        |
| Polarization                         | $^{\circ}$ | +45, -45                           |
| Max. Effective Power for the Antenna | W          | 400 (at 50 °C ambient temperature) |

Values based on NGMN-P-BASTA (version 9.6) requirements.

## Mechanical specifications

|   |   |  |
|---|---|--|
| Input                                     | 4x 4.3-10 female  |  |
| Connector Position                        | bottom  |  |
| Adjustment Mechanism                      | 1x, Position bottom continuously adjustable                         |  |
| Wind load (at Rated Wind Speed: 150 km/h) | N   lbf   | Frontal: 235   53<br>Maximal: 255   57                 |
| Max. Wind Velocity                        | km/h<br>mph   | 241<br>150   |
| Height / Width / Depth                    | mm<br>inches  | 970 / 179 / 76<br>38.2 / 7.0 / 3.0                     |
| Category of Mounting Hardware             | M (Medium)  |  |
| Weight                                    | kg<br>lb  | 5.4 / 7.6 (clamps incl.)<br>11.9 / 16.7 (clamps incl.) |
| Packing Size                              | mm<br>inches  | 1320 / 190 / 95<br>52.0 / 7.5 / 3.7                    |
| Scope of Supply                           | Panel and 2 units of clamps for 42–115 mm   1.7–4.5 inches diameter |  |

## Accessories (order separately if required)

| Product No. | Description    | Remarks<br>mm   inches                | Units per antenna |
|-------------|----------------|---------------------------------------|-------------------|
| 731651      | 1 clamp        | Mast diameter: 28 – 60   1.1 – 2.4    | 2                 |
| 85010002    | 1 clamp        | Mast diameter: 110 – 220   4.3 – 8.7  | 2                 |
| 85010003    | 1 clamp        | Mast diameter: 210 – 380   8.3 – 15.0 | 2                 |
| 737978      | 1 downtilt kit | Downtilt angle: 0°–13°                | 1                 |

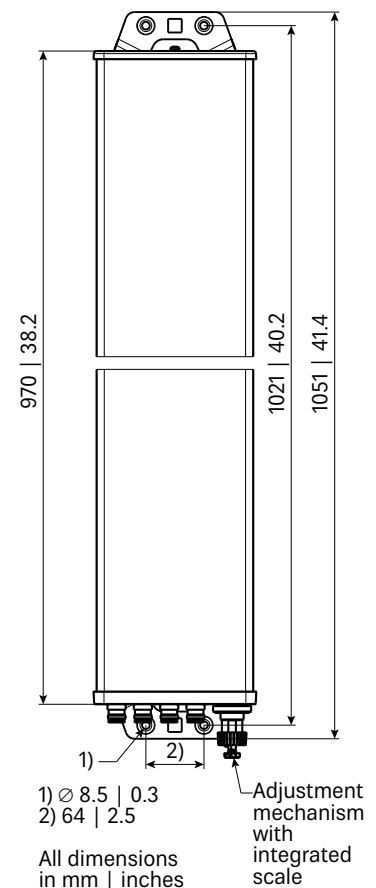
## Accessories (included in the scope of supply)

| Product No. | Description | Remarks<br>mm   inches              | Units per antenna |
|-------------|-------------|-------------------------------------|-------------------|
| 738546      | 1 clamp     | Mast diameter: 42 – 115   1.7 – 4.5 | 2                 |

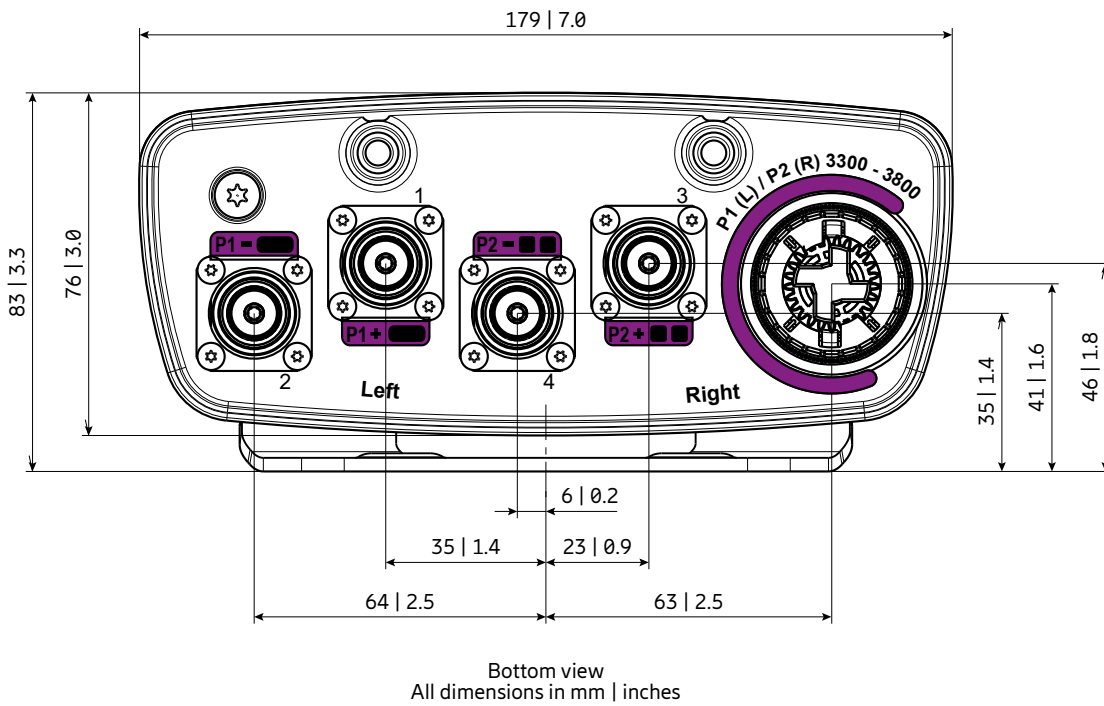
Wall mounting: No additional mounting kit needed.

**Material:** **Reflector screen:** Aluminum. **Fiberglass radome:** Fiberglass material guarantees optimum performance with regards to stability, stiffness, UV resistance and painting. The color of the radome is grey.  
**All screws and nuts:** Stainless steel.

**Grounding:** The metal parts of the antenna including the mounting kit and the inner conductors are DC grounded.



## Layout of interface



## Correlation Table

| Frequency range | Array | Connector / Ports |
|-----------------|-------|-------------------|
| 3300–3800 MHz   | P1    | 1–2               |
| 3300–3800 MHz   | P2    | 3–4               |







# Antenna 2200 0L 2M 0.9m

80010682

Capacity

Compact

Coverage

65° | 2x 1710–2690 MHz | 16.5 dBi

Electrical downtilt set by hand or by optional RCU (Remote Control Unit)



[ericsson.com/antenna-system](https://ericsson.com/antenna-system)



Scan or [click](#)

| Midband   |   | Y1; Y2  |   |   |   |
|---|---|---|---|---|---|
| Frequency range   | MHz   | 1710 – 1990   | 1920 – 2200   | 2200 – 2490   | 2490 – 2690   |
| Polarization  | °   | +45, –45  | +45, –45  | +45, –45  | +45, –45  |
| Gain at 0° tilt   | dBi   | 15.8  | 16.2  | 16.6  | 16.7  |
| <b>Horizontal Pattern:</b>                                  |   |   |   |   |   |
| Half-power beam width                                       | °   | 65  | 64  | 60  | 61  |
| Front-to-back ratio, copolar                                | dB  | > 30  | > 30  | > 30  | > 28  |
| Cross polar ratio<br>Sector                                 | $\begin{matrix} 0^\circ \\ \pm 60^\circ \end{matrix}$<br>dB | Typically: 25<br>> 8  | Typically: 25<br>> 8  | Typically: 25<br>> 10   | Typically: 25<br>> 10   |
| <b>Vertical Pattern:</b>                                    |   |   |   |   |   |
| Half-power beam width                                       | °   | 11  | 10  | 9   | 8.7   |
| Electrical tilt   | °   | 0–12, continuously adjustable   |   |   |   |
| Sidelobe suppression for first<br>sidelobe above main beam  | $\begin{matrix} \text{°T} \\ \text{dB} \end{matrix}$        | $\begin{matrix} 0 \dots 6 \dots 12 \\ \geq 12 \dots 13 \dots 15 \end{matrix}$ | $\begin{matrix} 0 \dots 6 \dots 12 \\ \geq 13 \dots 14 \dots 16 \end{matrix}$ | $\begin{matrix} 0 \dots 6 \dots 12 \\ \geq 13 \dots 15 \dots 16 \end{matrix}$ | $\begin{matrix} 0 \dots 6 \dots 12 \\ \geq 15 \dots 15 \dots 17 \end{matrix}$ |
| Impedance   | $\Omega$  | 50  |   |   |   |
| VSWR  |   | < 1.5   |   |   |   |
| Isolation, between ports                                    | dB  | > 30  |   |   |   |
| Intermodulation IM3   | dBc   | < –150 (2 x 43 dBm carrier)   |   |   |   |
| Max. eff. power per port<br>Max. eff. power for the antenna | W   | 200 (at 50 °C ambient temperature)<br>600 (at 50 °C ambient temperature)      |   |   |   |

## Mechanical specifications

|  |   |  |
|--|---|--|
| Input  | 4x 7-16 female  |  |
| Connector position                           | Bottom  |  |
| Adjustment mechanism                         | 2x, Position bottom continuously adjustable                         |  |
| Wind load (at Rated<br>Wind Speed: 150 km/h) | N   lbf   | Frontal: 345   78<br>Maximal: 380   85                 |
| Max. wind velocity                           | km/h<br>mph   | 200<br>124   |
| Height / width / depth                       | mm<br>inches  | 855 / 315 / 71<br>33.7 / 12.4 / 2.8                    |
| Category of mounting hardware                | M (Medium)  |  |
| Weight                                       | kg<br>lb  | 11 / 13.2 (clamps incl.)<br>24.3 / 29.1 (clamps incl.) |
| Packing size                                 | mm<br>inches  | 1146 x 337 x 112<br>45.1 x 13.3 x 4.4                  |
| Scope of supply                              | Panel and 2 units of clamps for 42–115 mm   1.7–4.5 inches diameter |  |

## Accessories (order separately if required)

| Product No. | Description    | Remarks                               | Units per antenna |
|-------------|----------------|---------------------------------------|-------------------|
|             |                | mm   inches                           |                   |
| 731651      | 1 clamp        | Mast diameter: 28 – 60   1.1 – 2.4    | 2                 |
| 85010002    | 1 clamp        | Mast diameter: 110 – 220   4.3 – 8.7  | 2                 |
| 85010003    | 1 clamp        | Mast diameter: 210 – 380   8.3 – 15.0 | 2                 |
| 737978      | 1 downtilt kit | Downtilt angle: 0°–24°                | 1                 |

## Accessories (included in the scope of supply)

| Product No. | Description | Remarks                             | Units per antenna |
|-------------|-------------|-------------------------------------|-------------------|
|             |             | mm   inches                         |                   |
| 738546      | 1 clamp     | Mast diameter: 42 – 115   1.7 – 4.5 | 2                 |

For downtilt mounting use the clamps for an appropriate mast diameter together with the downtilt kit.  
Wall mounting: No additional mounting kit needed.

### Material:

**Reflector screen:** Aluminum.

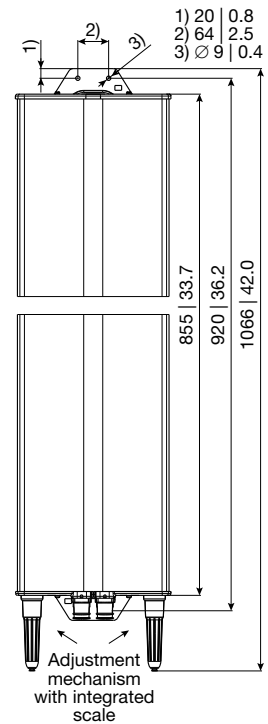
**Radiator:** Tin-plated zinc.

**Flat fiberglass radome:** The max. radome depth is only 71 mm. Fiberglass material guarantees optimum performance with regards to stability, stiffness, UV resistance and painting. The color of the radome is grey.

**All screws and nuts:** Stainless steel or hot-dip galvanized steel.

### Grounding:

The metal parts of the antenna including the mounting kit and the inner conductors are DC grounded.



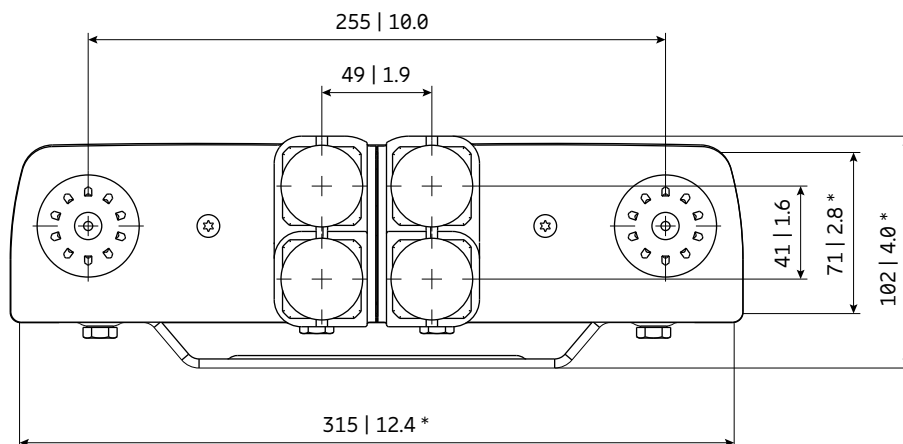
All dimensions in  
mm | inches

## Correlation Table

| Frequency range | Array | Connector / Ports |
|-----------------|-------|-------------------|
| 1710–2690 MHz   | Y1    | 1–2               |
| 1710–2690 MHz   | Y2    | 3–4               |



## Layout of interface



Bottom view  
\* Dimensions refer to radome  
All dimensions in mm | inches



# Antenna 2200 0L 2M 1.3m

KRE 101 2452/1

Capacity

Compact

Coverage

65° | 2x 1695–2690 MHz | 18.0 dBi  
Electrical downtilt set by integrated RET



[ericsson.com/antenna-system](https://ericsson.com/antenna-system)



Scan or [click](#)

| Left side, midband                                     |     | Y1, connector 1–2 |             |             |             |             |
|--|-----|-------------------|-------------|-------------|-------------|-------------|
| Frequency Range  | MHz | 1695 – 1880       | 1850 – 1990 | 1920 – 2170 | 2300 – 2400 | 2490 – 2690 |
| Gain at mid Tilt                                       | dBi | 17.4              | 17.6        | 17.8        | 17.8        | 17.9        |
| Gain over all Tilts                                    | dBi | 17.4 ± 0.5        | 17.6 ± 0.5  | 17.7 ± 0.6  | 17.8 ± 0.8  | 17.8 ± 0.8  |
| <b>Horizontal Pattern:</b>                             |     |                   |             |             |             |             |
| Azimuth Beamwidth                                      | °   | 67 ± 2.5          | 65 ± 1.3    | 65 ± 1.1    | 64 ± 2.6    | 61 ± 3.2    |
| Front-to-Back Ratio, Total Power, ± 30°                | dB  | > 25              | > 25        | > 25        | > 25        | > 25        |
| Cross Polar Discrimination at Boresight                | dB  | > 30              | > 29        | > 29        | > 24        | > 22        |
| Cross Polar Discrimination over Sector                 | dB  | > 18.0            | > 17.5      | > 14.5      | > 8.0       | > 5.5       |
| Azimuth Beam Port-to-Port Tracking                     | dB  | < 1.5             | < 1.5       | < 1.5       | < 2.0       | < 3.0       |
| <b>Vertical Pattern:</b>                               |     |                   |             |             |             |             |
| Elevation Beamwidth                                    | °   | 7.5 ± 0.5         | 7.0 ± 0.2   | 6.7 ± 0.5   | 5.9 ± 0.2   | 5.4 ± 0.3   |
| Electrical Downtilt continuously adjustable            | °   | 0.0 – 10.0        |             |             |             |             |
| Tilt Accuracy  | °   | < 0.5             | < 0.5       | < 0.6       | < 0.5       | < 0.6       |
| First Upper Sidelobe Suppression                       | dB  | > 15              | > 16        | > 17        | > 18        | > 15        |
| Upper Sidelobe Suppression, 20° Sector above Main Beam | dB  | > 14              | > 15        | > 16        | > 16        | > 14        |
| Intra-Cluster Isolation                                | dB  | ≥ 28              |             |             |             |             |
| Port to Port Isolation                                 | dB  | ≥ 28 (Y1 // Y2)   |             |             |             |             |
| Max. Effective Power per Port                          | W   | 200               |             |             |             |             |

Values based on NGMN-P-BASTA (version 11.1) requirements.

| Right side, midband                                    |     | Y2, connector 3–4 |             |             |             |             |
|--|-----|-------------------|-------------|-------------|-------------|-------------|
| Frequency Range  | MHz | 1695 – 1880       | 1850 – 1990 | 1920 – 2170 | 2300 – 2400 | 2490 – 2690 |
| Gain at mid Tilt                                       | dBi | 17.3              | 17.5        | 17.7        | 17.7        | 17.9        |
| Gain over all Tilts                                    | dBi | 17.3 ± 0.7        | 17.5 ± 0.7  | 17.7 ± 0.7  | 17.6 ± 0.9  | 17.8 ± 0.9  |
| <b>Horizontal Pattern:</b>                             |     |                   |             |             |             |             |
| Azimuth Beamwidth                                      | °   | 67 ± 2.5          | 64 ± 1.5    | 64 ± 1.1    | 62 ± 2.9    | 60 ± 3.1    |
| Front-to-Back Ratio, Total Power, ± 30°                | dB  | > 24              | > 24        | > 23        | > 23        | > 24        |
| Cross Polar Discrimination at Boresight                | dB  | > 33              | > 30        | > 30        | > 22        | > 22        |
| Cross Polar Discrimination over Sector                 | dB  | > 16.0            | > 15.5      | > 14.0      | > 8.5       | > 6.5       |
| Azimuth Beam Port-to-Port Tracking                     | dB  | < 1.5             | < 1.5       | < 2.0       | < 2.0       | < 3.5       |
| <b>Vertical Pattern:</b>                               |     |                   |             |             |             |             |
| Elevation Beamwidth                                    | °   | 7.5 ± 0.5         | 7.0 ± 0.3   | 6.7 ± 0.4   | 5.8 ± 0.2   | 5.3 ± 0.3   |
| Electrical Downtilt continuously adjustable            | °   | 0.0 – 10.0        |             |             |             |             |
| Tilt Accuracy  | °   | < 0.4             | < 0.4       | < 0.3       | < 0.3       | < 0.3       |
| First Upper Sidelobe Suppression                       | dB  | > 17              | > 16        | > 18        | > 17        | > 16        |
| Upper Sidelobe Suppression, 20° Sector above Main Beam | dB  | > 15              | > 15        | > 17        | > 15        | > 15        |
| Intra-Cluster Isolation                                | dB  | ≥ 28              |             |             |             |             |
| Port to Port Isolation                                 | dB  | ≥ 28 (Y2 // Y1)   |             |             |             |             |
| Max. Effective Power per Port                          | W   | 200               |             |             |             |             |

Values based on NGMN-P-BASTA (version 11.1) requirements.

## Electrical specifications, all ports

|                                      |          |                             |
|--------------------------------------|----------|-----------------------------|
| Impedance                            | $\Omega$ | 50                          |
| VSWR                                 |          | < 1.5                       |
| Return Loss                          | dB       | > 14                        |
| Inter-Cluster Isolation              | dB       | > 28                        |
| Passive Intermodulation              | dBc      | < -153 (2 x 43 dBm carrier) |
| Polarization                         | °        | +45, -45                    |
| Max. Effective Power for the Antenna | W        | 600                         |

Values based on NGMN-P-BASTA (version 11.1) requirements.

**Material:**

**Reflector screen and dipoles:** Aluminum.

**Fiberglass housing:** It covers totally the internal antenna components. The special design reduces the sealing areas to a minimum and guarantees the best weather protection. Fiberglass material guarantees optimum performance with regards to stability, stiffness, UV resistance and painting. The color of the radome is light grey.

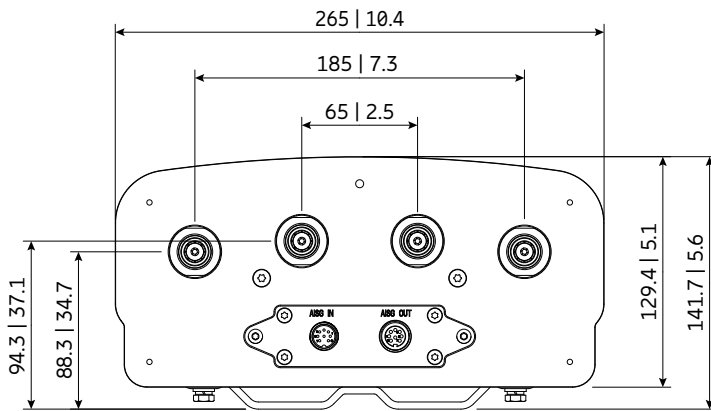
**All nuts and bolts:** Stainless steel or hot-dip galvanized steel.

**Grounding:** The metal parts of the antenna including the mounting kit and the inner conductors are DC grounded.

## Mechanical specifications

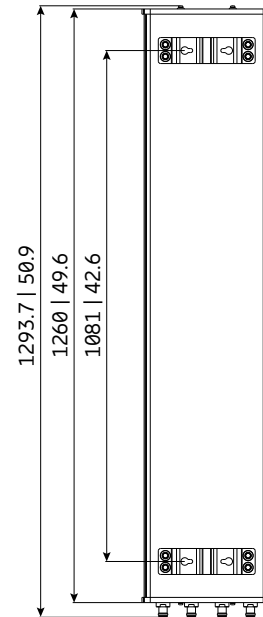
|   |   |  |
|---|---|--|
| Input                                     | 4x 4.3-10 female  |  |
| Connector Position                        | bottom  |  |
| Adjustment Mechanism                      | Integrated RET, continuously adjustable   |  |
| Wind load (at Rated Wind Speed: 150 km/h) | N   lbf   | Frontal: 345   78<br>Maximal: 345   78                 |
| Max. Wind Velocity                        | km/h<br>mph   | 200<br>124   |
| Height / Width / Depth                    | mm<br>inches  | 1260 / 265 / 120<br>49.6 / 10.4 / 4.7                  |
| Weight                                    | kg<br>lb  | 10.8 / 13.6 (clamps incl.)<br>23.8 / 30 (clamps incl.) |
| Packing Size                              | mm<br>inches  | 1535 / 315 / 185<br>60.4 / 12.4 / 7.3                  |
| Scope of Supply                           | Antenna, mounting kit (50–115 mm) incl. mech. Tilt-kit (0°–16°) SXA 120 131/1, integr. RET KRY 121 78/1 |  |

## Layout of interface



Bottom view

\* Dimensiones refer to radome  
All dimensions in mm | inches



## Correlation Table

| Frequency range | Array | Connector / Ports |
|-----------------|-------|-------------------|
| 1695–2690 MHz   | Y1    | 1–2               |
| 1695–2690 MHz   | Y2    | 3–4               |



Y1 Y2  
Left Right



nMB

# Antenna 2201 0L 2M 1.7m

KRE 101 2523/1

Capacity

Compact

Coverage

65° | 2x 1710–2690 MHz | 19.0 dBi

Electrical downtilt set by hand or by optional RCU (Remote Control Unit)



[ericsson.com/antenna-system](https://ericsson.com/antenna-system)



Scan or [click](#)

| Left side, midband                          |     | Y1, connector 1–2                  |             |             |             |             |
|---|-----|------------------------------------|-------------|-------------|-------------|-------------|
| Frequency Range                             | MHz | 1710 – 1880                        | 1850 – 1980 | 1920 – 2170 | 2300 – 2400 | 2500 – 2690 |
| Gain at mid Tilt                            | dBi | 18.3                               | 18.6        | 18.9        | 19.4        | 19.2        |
| Gain over all Tilts                         | dBi | 18.2 ± 0.3                         | 18.4 ± 0.3  | 18.7 ± 0.4  | 19.2 ± 0.5  | 19.0 ± 0.5  |
| <b>Horizontal Pattern:</b>                  |     |                                    |             |             |             |             |
| Azimuth Beamwidth                           | °   | 65 ± 2.1                           | 65 ± 2.3    | 65 ± 2.1    | 58 ± 4.2    | 65 ± 5.1    |
| Front-to-Back Ratio, Total Power, ± 30°     | dB  | > 24                               | > 22        | > 22        | > 22        | > 23        |
| <b>Vertical Pattern:</b>                    |     |                                    |             |             |             |             |
| Elevation Beamwidth                         | °   | 5.6 ± 0.3                          | 5.3 ± 0.3   | 5.0 ± 0.4   | 4.4 ± 0.2   | 4.0 ± 0.2   |
| Electrical Downtilt continuously adjustable | °   | 0 – 10                             |             |             |             |             |
| Tilt Accuracy                               | °   | < 0.3                              | < 0.3       | < 0.3       | < 0.3       | < 0.2       |
| First Upper Side Lobe Suppression           | dB  | > 19                               | > 19        | > 18        | > 20        | > 20        |
| Cross Polar Isolation                       | dB  | > 30                               |             |             |             |             |
| Port to Port Isolation                      | dB  | > 30 (Y1 // Y2)                    |             |             |             |             |
| Max. Effective Power per Port               | W   | 250 (at 50 °C ambient temperature) |             |             |             |             |
| Max. Effective Power Ports Y1/Y2            | W   | 500 (at 50 °C ambient temperature) |             |             |             |             |

Values based on NGMN-P-BASTA (version 9.6) requirements.

| Right side, midband                         |     | Y2, connector 3–4                  |             |             |             |             |
|---|-----|------------------------------------|-------------|-------------|-------------|-------------|
| Frequency Range                             | MHz | 1710 – 1880                        | 1850 – 1980 | 1920 – 2170 | 2300 – 2400 | 2500 – 2690 |
| Gain at mid Tilt                            | dBi | 18.3                               | 18.6        | 18.9        | 19.4        | 19.1        |
| Gain over all Tilts                         | dBi | 18.2 ± 0.4                         | 18.4 ± 0.3  | 18.7 ± 0.5  | 19.2 ± 0.5  | 18.9 ± 0.4  |
| <b>Horizontal Pattern:</b>                  |     |                                    |             |             |             |             |
| Azimuth Beamwidth                           | °   | 65 ± 2.6                           | 66 ± 4.0    | 65 ± 3.9    | 58 ± 3.1    | 65 ± 5.0    |
| Front-to-Back Ratio, Total Power, ± 30°     | dB  | > 24                               | > 23        | > 22        | > 23        | > 24        |
| <b>Vertical Pattern:</b>                    |     |                                    |             |             |             |             |
| Elevation Beamwidth                         | °   | 5.6 ± 0.3                          | 5.3 ± 0.3   | 5.0 ± 0.4   | 4.4 ± 0.2   | 4.0 ± 0.2   |
| Electrical Downtilt continuously adjustable | °   | 0 – 10                             |             |             |             |             |
| Tilt Accuracy                               | °   | < 0.2                              | < 0.2       | < 0.2       | < 0.2       | < 0.2       |
| First Upper Side Lobe Suppression           | dB  | > 20                               | > 20        | > 19        | > 21        | > 20        |
| Cross Polar Isolation                       | dB  | > 30                               |             |             |             |             |
| Port to Port Isolation                      | dB  | > 30 (Y1 // Y2)                    |             |             |             |             |
| Max. Effective Power per Port               | W   | 250 (at 50 °C ambient temperature) |             |             |             |             |
| Max. Effective Power Ports Y2/Y1            | W   | 500 (at 50 °C ambient temperature) |             |             |             |             |

Values based on NGMN-P-BASTA (version 9.6) requirements.



## Electrical specifications, all ports

|                                      |          |                                    |
|--------------------------------------|----------|------------------------------------|
| Impedance                            | $\Omega$ | 50                                 |
| VSWR                                 |          | < 1.5                              |
| Return Loss                          | dB       | > 14                               |
| Interband Isolation                  | dB       | > 30                               |
| Passive Intermodulation              | dBc      | < -150 (2 x 43 dBm carrier)        |
| Polarization                         | °        | -45, +45                           |
| Max. Effective Power for the Antenna | W        | 700 (at 50° C ambient temperature) |

Values based on NGMN-P-BASTA (version 9.6) requirements.

## Mechanical specifications

|   |  |  |
|---|--|--|
| Input                                     | 4 x 4.3-10 female  |  |
| Connector Position                        | bottom   |  |
| Adjustment Mechanism                      | 2x, Position bottom continuously adjustable                            |  |
| Wind load (at Rated Wind Speed: 150 km/h) | N   lbf  | Frontal: 705   158<br>Maximal: 775   174               |
| Max. Wind Velocity                        | km/h<br>mph  | 241<br>150   |
| Height / Width / Depth                    | mm<br>inches   | 1668 / 315 / 71<br>65.7 / 12.4 / 2.8                   |
| Category of Mounting Hardware             | M (Medium)   |  |
| Weight (approx.)                          | kg<br>lb   | 16.3 / 18.5 (clamps incl.)<br>36 / 40.8 (clamps incl.) |
| Packing Size                              | mm<br>inches   | 1961 x 337 x 112<br>77.2 x 14.8 x 4.4                  |
| Scope of Supply                           | Panel and 2 units of clamps for 42 – 115 mm   1.7– 4.5 inches diameter |  |

## Accessories (order separately if required)

| Product No. | Description    | Remarks<br>mm   inches                | Units per antenna |
|-------------|----------------|---------------------------------------|-------------------|
| 85010002    | 1 clamp        | Mast diameter: 110 – 220   4.3 – 8.7  | 2                 |
| 85010003    | 1 clamp        | Mast diameter: 210 – 380   8.3 – 15.0 | 2                 |
| 737978      | 1 downtilt kit | Downtilt angle: 0° – 10°              | 1                 |
| 86010148V01 | ext. RCU       | external RCU                          | 2                 |

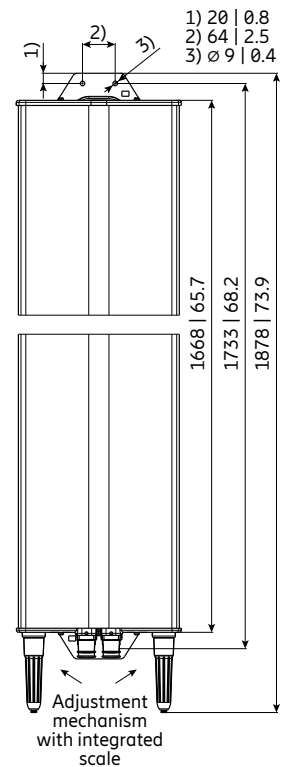
## Accessories (included in the scope of supply)

| Product No. | Description | Remarks<br>mm   inches              | Units per antenna |
|-------------|-------------|-------------------------------------|-------------------|
| 738546      | 1 clamp     | Mast diameter: 42 – 115   1.7 – 4.5 | 2                 |

For downtilt mounting use the clamps for an appropriate mast diameter together with the downtilt kit.  
Wall mounting: No additional mounting kit needed.

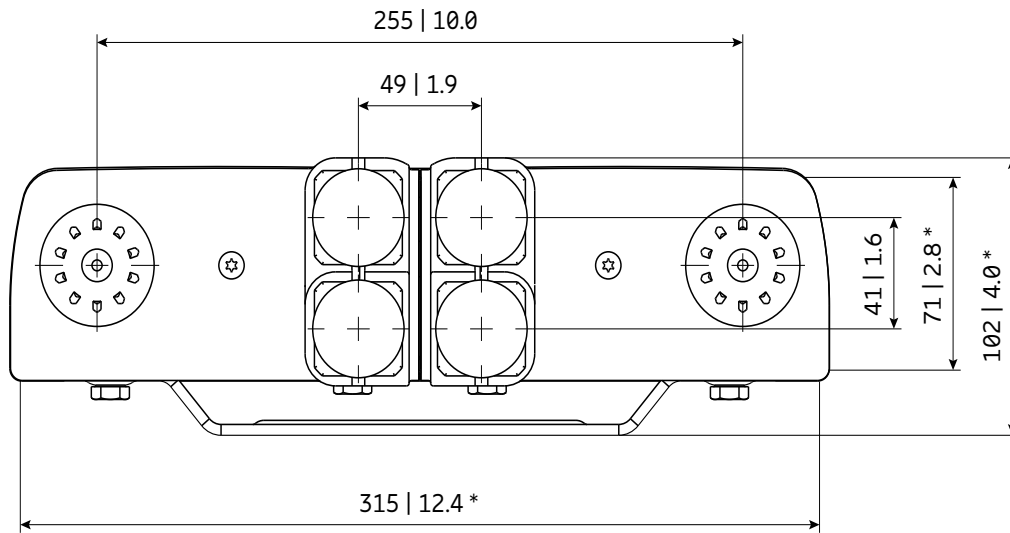
**Material:** **Reflector screen:** Aluminium. **Radiator:** Tin-plated zinc.  
**Flat fiberglass radome:** The max. radome depth is only 71 mm | 2.8 inches. Fiberglass material guarantees optimum performance with regards to stability, stiffness, UV resistance and painting. The color of the radome is grey.  
**All screws and nuts:** Stainless steel.

**Grounding:** The metal parts of the antenna including the mounting kit and the inner conductors are DC grounded.



All dimensions in  
mm | inches

## Layout of interface



Bottom view  
\* Dimensions refer to radome  
All dimensions in mm | inches

## Correlation Table

| Frequency range | Array | Connector / Ports |
|-----------------|-------|-------------------|
| 1710–2690 MHz   | Y1    | 1–2               |
| 1710–2690 MHz   | Y2    | 3–4               |





# Antenna 2401 0L 4M 1.2m

KRE 101 2406/1

Capacity **Compact** Coverage

65° | 4x 1695–2690 MHz | 17.5 dBi  
Electrical downtilt set by integrated RET



[ericsson.com/antenna-system](https://ericsson.com/antenna-system)



Scan or [click](#)

| Left side, midband                          |     | Y1, connector 1–2                  |             |             |             |             |
|---|-----|------------------------------------|-------------|-------------|-------------|-------------|
| Frequency Range                             | MHz | 1695 – 1880                        | 1850 – 1990 | 1920 – 2170 | 2300 – 2400 | 2490 – 2690 |
| Gain at mid Tilt                            | dBi | 16.2                               | 16.7        | 17.1        | 17.5        | 18.1        |
| Gain over all Tilts                         | dBi | 16.2 ± 0.3                         | 16.6 ± 0.6  | 17.0 ± 0.7  | 17.5 ± 0.7  | 18.1 ± 0.7  |
| <b>Horizontal Pattern:</b>                  |     |                                    |             |             |             |             |
| Azimuth Beamwidth                           | °   | 62 ± 3.8                           | 60 ± 4.2    | 58 ± 3.8    | 58 ± 2.5    | 52 ± 4.2    |
| Front-to-Back Ratio, Total Power, ± 30°     | dB  | > 28                               | > 29        | > 29        | > 25        | > 25        |
| <b>Vertical Pattern:</b>                    |     |                                    |             |             |             |             |
| Elevation Beamwidth                         | °   | 8.5 ± 0.6                          | 8.2 ± 0.4   | 7.6 ± 0.5   | 6.8 ± 0.4   | 6.3 ± 0.3   |
| Electrical Downtilt continuously adjustable | °   | 2.0 – 12.0                         |             |             |             |             |
| Tilt Accuracy                               | °   | < 0.7                              | < 0.8       | < 0.7       | < 0.6       | < 0.7       |
| First Upper Sidelobe Suppression            | dB  | > 15                               | > 18        | > 18        | > 23        | > 21        |
| Inter-Cluster Isolation                     | dB  | > 28                               |             |             |             |             |
| Intra-Cluster Isolation                     | dB  | 28 (Y1 // Y2, Y3, Y4)              |             |             |             |             |
| Max. Effective Power per Port               | W   | 175 (at 40 °C ambient temperature) |             |             |             |             |
| Max. Effective Power Ports Y1               | W   | 250 (at 40 °C ambient temperature) |             |             |             |             |

Values based on NGMN-P-BASTA (version 11.1) requirements.

| Left side, midband, center                  |     | Y2, connector 3–4                  |             |             |             |             |
|---|-----|------------------------------------|-------------|-------------|-------------|-------------|
| Frequency Range                             | MHz | 1695 – 1880                        | 1850 – 1990 | 1920 – 2170 | 2300 – 2400 | 2490 – 2690 |
| Gain at mid Tilt                            | dBi | 16.2                               | 16.8        | 17.1        | 17.3        | 17.9        |
| Gain over all Tilts                         | dBi | 16.2 ± 0.6                         | 16.8 ± 0.5  | 17.0 ± 0.6  | 17.4 ± 0.6  | 17.9 ± 0.8  |
| <b>Horizontal Pattern:</b>                  |     |                                    |             |             |             |             |
| Azimuth Beamwidth                           | °   | 61 ± 6.2                           | 56 ± 3.0    | 56 ± 2.6    | 59 ± 2.9    | 53 ± 3.9    |
| Front-to-Back Ratio, Total Power, ± 30°     | dB  | > 28                               | > 28        | > 29        | > 30        | > 31        |
| <b>Vertical Pattern:</b>                    |     |                                    |             |             |             |             |
| Elevation Beamwidth                         | °   | 8.4 ± 0.4                          | 8.0 ± 0.4   | 7.5 ± 0.5   | 6.8 ± 0.3   | 6.6 ± 0.3   |
| Electrical Downtilt continuously adjustable | °   | 2.0 – 12.0                         |             |             |             |             |
| Tilt Accuracy                               | °   | < 0.5                              | < 0.4       | < 0.4       | < 0.6       | < 0.5       |
| First Upper Sidelobe Suppression            | dB  | > 18                               | > 20        | > 21        | > 17        | > 17        |
| Inter-Cluster Isolation                     | dB  | > 28                               |             |             |             |             |
| Intra-Cluster Isolation                     | dB  | 28 (Y2 // Y1, Y3, Y4)              |             |             |             |             |
| Max. Effective Power per Port               | W   | 175 (at 40 °C ambient temperature) |             |             |             |             |
| Max. Effective Power Ports Y2               | W   | 250 (at 40 °C ambient temperature) |             |             |             |             |

Values based on NGMN-P-BASTA (version 11.1) requirements.

| Right side, midband, center                 |     | Y3, connector 5–6                  |             |             |             |             |
|---|-----|------------------------------------|-------------|-------------|-------------|-------------|
| Frequency Range                             | MHz | 1695 – 1880                        | 1850 – 1990 | 1920 – 2170 | 2300 – 2400 | 2490 – 2690 |
| Gain at mid Tilt                            | dBi | 16.2                               | 16.8        | 17.1        | 17.4        | 18.1        |
| Gain over all Tilts                         | dBi | 16.2 ± 0.5                         | 16.7 ± 0.6  | 17.0 ± 0.6  | 17.5 ± 0.7  | 18.0 ± 0.8  |
| <b>Horizontal Pattern:</b>                  |     |                                    |             |             |             |             |
| Azimuth Beamwidth                           | °   | 63 ± 5.2                           | 57 ± 3.3    | 56 ± 2.1    | 59 ± 2.7    | 52 ± 3.8    |
| Front-to-Back Ratio, Total Power, ± 30°     | dB  | > 26                               | > 28        | > 29        | > 30        | > 30        |
| <b>Vertical Pattern:</b>                    |     |                                    |             |             |             |             |
| Elevation Beamwidth                         | °   | 8.4 ± 0.4                          | 8.0 ± 0.4   | 7.5 ± 0.5   | 6.8 ± 0.2   | 6.3 ± 0.3   |
| Electrical Downtilt continuously adjustable | °   | 2.0 – 12.0                         |             |             |             |             |
| Tilt Accuracy                               | °   | < 0.4                              | < 0.4       | < 0.4       | < 0.6       | < 0.6       |
| First Upper Sidelobe Suppression            | dB  | > 18                               | > 22        | > 22        | > 21        | > 20        |
| Inter-Cluster Isolation                     | dB  | > 28                               |             |             |             |             |
| Intra-Cluster Isolation                     | dB  | 28 (Y3 // Y2, Y1, Y4)              |             |             |             |             |
| Max. Effective Power per Port               | W   | 175 (at 40 °C ambient temperature) |             |             |             |             |
| Max. Effective Power Ports Y3               | W   | 250 (at 40 °C ambient temperature) |             |             |             |             |

Values based on NGMN-P-BASTA (version 11.1) requirements.

| Right side, midband                         |     | Y4, connector 7–8                  |             |             |             |             |
|---|-----|------------------------------------|-------------|-------------|-------------|-------------|
| Frequency Range                             | MHz | 1695 – 1880                        | 1850 – 1990 | 1920 – 2170 | 2300 – 2400 | 2490 – 2690 |
| Gain at mid Tilt                            | dBi | 16.1                               | 16.6        | 17.0        | 17.5        | 17.9        |
| Gain over all Tilts                         | dBi | 16.1 ± 0.5                         | 16.5 ± 0.5  | 16.9 ± 0.7  | 17.5 ± 0.7  | 17.9 ± 0.7  |
| <b>Horizontal Pattern:</b>                  |     |                                    |             |             |             |             |
| Azimuth Beamwidth                           | °   | 62 ± 4.6                           | 60 ± 4.4    | 59 ± 4.5    | 58 ± 1.9    | 53 ± 3.8    |
| Front-to-Back Ratio, Total Power, ± 30°     | dB  | > 26                               | > 28        | > 28        | > 27        | > 24        |
| <b>Vertical Pattern:</b>                    |     |                                    |             |             |             |             |
| Elevation Beamwidth                         | °   | 8.7 ± 0.5                          | 8.3 ± 0.5   | 7.7 ± 0.7   | 6.9 ± 0.2   | 6.3 ± 0.4   |
| Electrical Downtilt continuously adjustable | °   | 2.0 – 12.0                         |             |             |             |             |
| Tilt Accuracy                               | °   | < 0.8                              | < 0.7       | < 0.5       | < 0.4       | < 0.5       |
| First Upper Sidelobe Suppression            | dB  | > 15                               | > 17        | > 17        | > 22        | > 21        |
| Inter-Cluster Isolation                     | dB  | > 28                               |             |             |             |             |
| Intra-Cluster Isolation                     | dB  | 28 (Y4 // Y2, Y3, Y1)              |             |             |             |             |
| Max. Effective Power per Port               | W   | 175 (at 40 °C ambient temperature) |             |             |             |             |
| Max. Effective Power Ports Y4               | W   | 250 (at 40 °C ambient temperature) |             |             |             |             |

Values based on NGMN-P-BASTA (version 11.1) requirements.

## Electrical specifications, all ports

|                                      |            |  |
|--------------------------------------|------------|--|
| Impedance                            | $\Omega$   | 50   |
| VSWR                                 |            | < 1.5  |
| Return Loss                          | dB         | > 14   |
| Inter-Cluster Isolation              | dB         | > 28   |
| Passive Intermodulation              | dBc        | < -153 (2 x 43 dBm carrier)                  |
| Polarization                         | $^{\circ}$ | -45, +45                                     |
| Max. Effective Power for the Antenna | W          | 800 (at 40 $^{\circ}$ C ambient temperature) |

Values based on NGMN-P-BASTA (version 11.1) requirements.

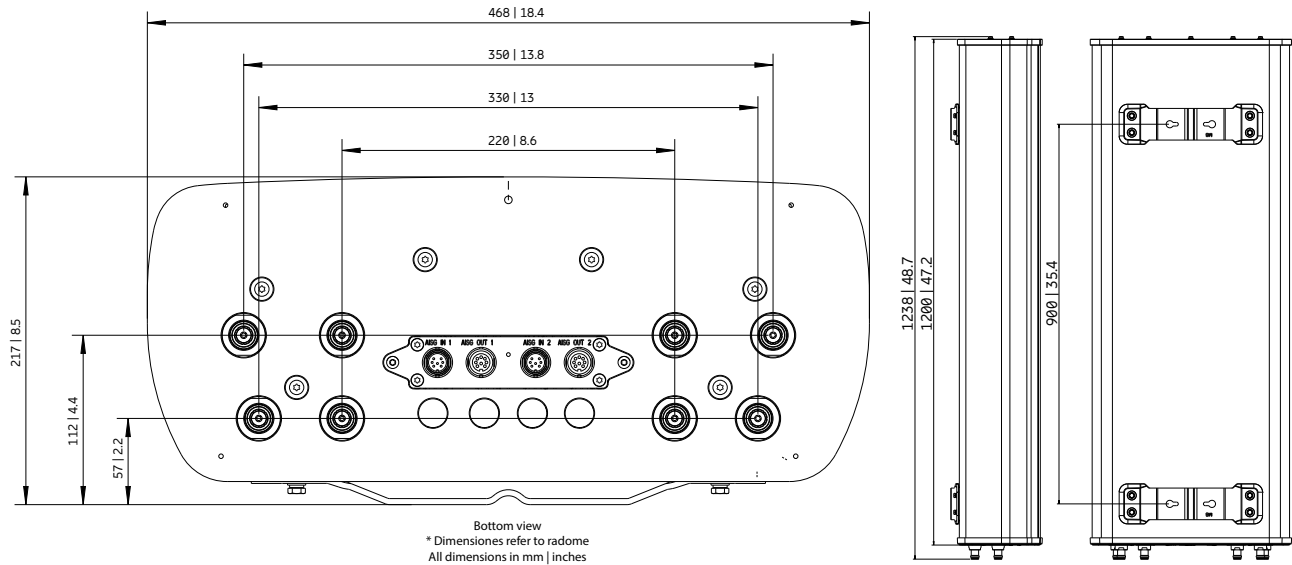
**Material:** **Reflector screen and dipoles:** Aluminum.  
**Fiberglass housing:** It covers totally the internal antenna components. The special design reduces the sealing areas to a minimum and guarantees the best weather protection. Fiberglass material guarantees optimum performance with regards to stability, stiffness, UV resistance and painting. The color of the radome is light grey.  
**All nuts and bolts:** Stainless steel or hot-dip galvanized steel.

**Grounding:** The metal parts of the antenna including the mounting kit and the inner conductors are DC grounded.

## Mechanical specifications

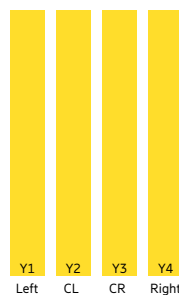
|   |   |  |
|---|---|--|
| Input                                     | 8x 4.3-10 female  |  |
| Connector Position                        | bottom  |  |
| Adjustment Mechanism                      | Integrated RET, continuously adjustable   |  |
| Wind load (at Rated Wind Speed: 150 km/h) | N   lbf   | Frontal: 630   141<br>Maximal: 630   141                 |
| Wind Load Standard                        | EN 1994-1-4   |  |
| Wind Load Laboratory                      | TU Dresden; Göttinger-type wind tunnel  |  |
| Max. Wind Velocity                        | km/h<br>mph   | 241<br>150   |
| Height / Width / Depth                    | mm<br>inches  | 1200 / 468 / 192<br>47.2 / 18.7 / 7.9                    |
| Weight                                    | kg<br>lb  | 23.8 / 29.2 (clamps incl.)<br>52.5 / 64.4 (clamps incl.) |
| Packing Size                              | mm<br>inches  | 1450 / 550 / 265<br>57.1 / 21.7 / 10.4                   |
| Scope of Supply                           | Antenna, mounting kit (50–115 mm) incl. mech. Tilt-kit (0 $^{\circ}$ –20 $^{\circ}$ ) SXA 216 011/1, integr. RET KRY 121 78/2 |  |

## Layout of interface



## Correlation Table

| Frequency range | Array | Connector / Ports |
|-----------------|-------|-------------------|
| 1695–2690 MHz   | Y1    | 1–2               |
| 1695–2690 MHz   | Y2    | 3–4               |
| 1695–2690 MHz   | Y3    | 5–6               |
| 1695–2690 MHz   | Y4    | 7–8               |



# Multi-Band Configuration

## 1LB nMB

Capacity

Compact

Coverage

| Product Name<br>Product No.            | Frequency MHz              | HPBW °     | Gain dBi     | Tilt °        | Connector type | Page                | 3C       |
|--|----------------------------|------------|--------------|---------------|----------------|---------------------|----------|
| 1x Lowband   1x Midband                |                            |            |              |               |                |                     |          |
| Antenna 3000 1L 1M 2.0m<br>80010665V01 | 1x 790–960<br>1x 1710–2690 | 65<br>65   | 16.0<br>18.5 | 0–10<br>2–8   | 7-16           | <a href="#">85</a>  | Capacity |
| Antenna 3000 1L 1M 0.6m<br>80010715    | 1x 698–960<br>1x 1695–2690 | 65<br>65   | 10.5<br>13.5 | 2.5<br>2.5    | 4.3-10         | <a href="#">89</a>  | Compact  |
| Antenna 3000 1L 1M 1.4m<br>80010664    | 1x 790–960<br>1x 1710–2690 | 65<br>65   | 15.0<br>17.5 | 0–16<br>2–10  | 7-16           | <a href="#">93</a>  | Compact  |
| Antenna 3001 1L 1M 0.3m<br>80010753    | 1x 790–960<br>1x 1710–2690 | C 65<br>65 | 8.0<br>9.0   | 0<br>0        | 7-16           | <a href="#">97</a>  | Compact  |
| Antenna 3000 1L 1M 2.6m<br>80010666V01 | 1x 698–960<br>1x 1710–2690 | 65<br>65   | 17.0<br>18.5 | 1.5–10<br>2–8 | 7-16           | <a href="#">100</a> | Coverage |
| Antenna 3002 1L 1M 2.6m<br>80010123V03 | 1x 790–960<br>1x 1710–2180 | 90<br>90   | 16.5<br>18.0 | 0.5–7<br>0–6  | 7-16           | <a href="#">104</a> | Coverage |

### 1x Lowband | 2x Midband

|   |                            |          |              |                |        |                     |          |
|---|----------------------------|----------|--------------|----------------|--------|---------------------|----------|
| Antenna 3400 1L 2M 1.9m<br>80010865       | 1x 698–960<br>2x 1695–2690 | 65<br>65 | 16.0<br>18.0 | 2–12<br>2.5–12 | 7-16   | <a href="#">108</a> | Capacity |
| Antenna 3402 1L 2M 1.9m<br>KRE 101 2560/1 | 1x 698–960<br>2x 1695–2690 | 65<br>65 | 15.0<br>17.5 | 2–12<br>2–12   | 4.3-10 | <a href="#">113</a> | Capacity |
| Antenna 3400 1L 2M 1.4m<br>80010864       | 1x 698–960<br>2x 1695–2690 | 65<br>65 | 14.5<br>18.0 | 2–16<br>2.5–12 | 7-16   | <a href="#">118</a> | Compact  |
| Antenna 3402 1L 2M 1.4m<br>KRE 101 2559/1 | 1x 698–960<br>2x 1695–2690 | 65<br>65 | 13.5<br>17.5 | 2–16<br>2–12   | 4.3-10 | <a href="#">123</a> | Compact  |
| Antenna 3402 1L 2M 1.5m<br>KRE 101 2413/1 | 1x 698–960<br>2x 1427–2690 | 65<br>65 | 14.5<br>17.0 | 2–16<br>2–12   | 4.3-10 | <a href="#">128</a> | Compact  |
| Antenna 3400 1L 2M 2.4m<br>80010866       | 1x 698–960<br>2x 1695–2690 | 65<br>65 | 17.0<br>18.0 | 1–10<br>2.5–12 | 7-16   | <a href="#">132</a> | Coverage |
| Antenna 3402 1L 2M 2.7m<br>KRE 101 2561/1 | 1x 698–960<br>2x 1695–2690 | 65<br>65 | 16.5<br>18.0 | 1–10<br>2–12   | 4.3-10 | <a href="#">137</a> | Coverage |

[New product](#)

# Multi-Band Configuration

## 1LB nMB

Capacity

Compact

Coverage

| Product Name<br>Product No.                               | Frequency MHz              | HPBW °   | Gain dBi     | Tilt °       | Connector type | Page                | 3C |
|---|----------------------------|----------|--------------|--------------|----------------|---------------------|----|
| <b>1x Lowband   3x Midband</b>                            |                            |          |              |              |                |                     |    |
| <a href="#">Antenna 3601 1L 3M 1.5m</a><br>KRE 101 2581/1 | 1x 698–960<br>3x 1695–2690 | 65<br>65 | 14.8<br>17.5 | 2–16<br>2–12 | 4.3-10         | <a href="#">142</a> |    |
| <a href="#">Antenna 3601 1L 3M 2.7m</a><br>KRE 101 2562/1 | 1x 698–960<br>3x 1695–2690 | 65<br>65 | 16.5<br>17.0 | 1–10<br>2–12 | 4.3-10         | <a href="#">147</a> |    |
| <b>1x Lowband   4x Midband</b>                            |                            |          |              |              |                |                     |    |
| <a href="#">Antenna 3802 1L 4M 2.0m</a><br>KRE 101 2563/1 | 1x 698–960<br>4x 1695–2690 | 65<br>65 | 15.3<br>16.0 | 2–12<br>2–12 | 4.3-10         | <a href="#">152</a> |    |
| <a href="#">Antenna 3803 1L 4M 2.7m</a><br>KRE 101 2564/1 | 1x 698–960<br>4x 1695–2690 | 65<br>65 | 16.5<br>17.0 | 1–10<br>2–12 | 4.3-10         | <a href="#">158</a> |    |
| <a href="#">Antenna 3890 1L 4M 2.7m</a><br>KRE 101 2458/1 | 1x 698–960<br>4x 1695–2690 | 65<br>32 | 16.0<br>20.0 | 2–12<br>2–12 | 4.3-10         | <a href="#">164</a> |    |

New product





1LB nMB

# Antenna 3000 1L 1M 2.0m

80010665V01

Capacity

Compact

Coverage

65° | 790–960 MHz | 16.0 dBi

65° | 1710–2690 MHz | 18.5 dBi

Electrical downtilt set by hand or by optional RCU (Remote Control Unit)



[ericsson.com/antenna-system](https://ericsson.com/antenna-system)



Scan or [click](#)

| Lowband   |     | R1, connector 1–2                  |            |            |
|---|-----|------------------------------------|------------|------------|
| Frequency Range   | MHz | 790 – 862                          | 824 – 894  | 880 – 960  |
| Gain at mid Tilt  | dBi | 16.1                               | 16.2       | 16.2       |
| Gain over all Tilts                                     | dBi | 15.9 ± 0.3                         | 16.1 ± 0.2 | 16.1 ± 0.3 |
| <b>Horizontal Pattern:</b>                              |     |                                    |            |            |
| Azimuth Beamwidth                                       | °   | 69 ± 0.9                           | 68 ± 1.2   | 67 ± 0.6   |
| Front-to-Back Ratio, Total Power, ± 30°                 | dB  | > 23                               | > 25       | > 26       |
| Cross Polar Discrimination at Boresight                 | dB  | > 23                               | > 23       | > 20       |
| Cross Polar Discrimination over Sector                  | dB  | > 9.5                              | > 10.0     | > 11.0     |
| <b>Vertical Pattern:</b>                                |     |                                    |            |            |
| Elevation Beamwidth                                     | °   | 10.1 ± 0.4                         | 9.9 ± 0.3  | 9.5 ± 0.4  |
| Electrical Downtilt continuously adjustable             | °   | 0.0 – 10.0                         |            |            |
| Tilt Accuracy   | °   | < 0.5                              | < 0.5      | < 0.6      |
| First Upper Side Lobe Suppression                       | dB  | > 16                               | > 18       | > 16       |
| Upper Side Lobe Suppression, 20° Sector above Main Beam | dB  | > 16                               | > 18       | > 16       |
| Cross Polar Isolation                                   | dB  | > 30                               |            |            |
| Port to Port Isolation                                  | dB  | > 30 (R1 // Y1)                    |            |            |
| Max. Effective Power per Port                           | W   | 400 (at 50 °C ambient temperature) |            |            |
| Max. Effective Power Ports R1                           | W   | 800 (at 50 °C ambient temperature) |            |            |

Values based on NGMN-P-BASTA (version 9.6) requirements.

| Midband   |     | Y1, connector 3–4                  |             |             |             |             |
|---|-----|------------------------------------|-------------|-------------|-------------|-------------|
| Frequency Range   | MHz | 1710 – 1880                        | 1850 – 1990 | 1920 – 2170 | 2300 – 2400 | 2490 – 2690 |
| Gain at mid Tilt  | dBi | 18.2                               | 18.5        | 18.8        | 18.8        | 18.7        |
| Gain over all Tilts                                     | dBi | 18.1 ± 0.5                         | 18.4 ± 0.2  | 18.7 ± 0.5  | 18.7 ± 0.6  | 18.5 ± 0.3  |
| <b>Horizontal Pattern:</b>                              |     |                                    |             |             |             |             |
| Azimuth Beamwidth                                       | °   | 64 ± 5.4                           | 63 ± 2.7    | 61 ± 3.6    | 62 ± 5.7    | 64 ± 3.4    |
| Front-to-Back Ratio, Total Power, ± 30°                 | dB  | > 25                               | > 26        | > 27        | > 26        | > 25        |
| Cross Polar Discrimination at Boresight                 | dB  | > 14                               | > 19        | > 20        | > 18        | > 20        |
| Cross Polar Discrimination over Sector                  | dB  | > 8.0                              | > 9.5       | > 10.0      | > 10.0      | > 11.5      |
| <b>Vertical Pattern:</b>                                |     |                                    |             |             |             |             |
| Elevation Beamwidth                                     | °   | 5.0 ± 0.3                          | 4.7 ± 0.2   | 4.4 ± 0.3   | 3.8 ± 0.2   | 3.5 ± 0.2   |
| Electrical Downtilt continuously adjustable             | °   | 2.0 – 8.0                          |             |             |             |             |
| Tilt Accuracy   | °   | < 0.2                              | < 0.2       | < 0.3       | < 0.2       | < 0.3       |
| First Upper Side Lobe Suppression                       | dB  | > 17                               | > 18        | > 19        | > 20        | > 20        |
| Upper Side Lobe Suppression, 20° Sector above Main Beam | dB  | > 15                               | > 16        | > 16        | > 15        | > 17        |
| Cross Polar Isolation                                   | dB  | > 28                               |             |             |             |             |
| Port to Port Isolation                                  | dB  | > 30 (R1 // Y1)                    |             |             |             |             |
| Max. Effective Power per Port                           | W   | 200 (at 50 °C ambient temperature) |             |             |             |             |
| Max. Effective Power Ports Y1                           | W   | 400 (at 50 °C ambient temperature) |             |             |             |             |

Values based on NGMN-P-BASTA (version 9.6) requirements.

## Electrical specifications, all systems

|                                      |          |                                    |
|--------------------------------------|----------|------------------------------------|
| Impedance                            | $\Omega$ | 50                                 |
| VSWR                                 |          | < 1.5                              |
| Return Loss                          | dB       | > 14                               |
| Interband Isolation                  | dB       | > 30                               |
| Passive Intermodulation              | dBc      | < -150 (2 x 43 dBm carrier)        |
| Polarization                         | °        | +45, -45                           |
| Max. Effective Power for the Antenna | W        | 900 (at 50 °C ambient temperature) |

Values based on NGMN-P-BASTA (version 9.6) requirements.

## Mechanical specifications

|   |   |  |  |
|---|---|--|--|
| Input                                     | 4x 7-16 female long neck  |  |  |
| Connector Position                        | bottom  |  |  |
| Adjustment Mechanism                      | 2x, Position bottom continuously adjustable                             |  |  |
| Wind load (at Rated Wind Speed: 150 km/h) | N   lbf   | Frontal: 390   88<br>Maximal: 620   139                  |  |
| Max. Wind Velocity                        | km/h<br>mph   | 200<br>124   |  |
| Height / Width / Depth                    | mm<br>inches  | 1997 / 300 / 152<br>78.6 / 11.8 / 6.0                    |  |
| Category of Mounting Hardware             | M (Medium)  |  |  |
| Weight                                    | kg<br>lb  | 24.0 / 26.2 (clamps incl.)<br>52.9 / 57.8 (clamps incl.) |  |
| Packing Size                              | mm<br>inches  | 2316 / 322 / 190<br>91.2 / 12.7 / 7.5                    |  |
| Scope of Supply                           | Panel and 2 units of clamps for 42 – 115 mm   1.7 – 4.5 inches diameter |  |  |

## Accessories (order separately if required)

| Product No. | Description    | Remarks<br>mm   inches                | Units per antenna |
|-------------|----------------|---------------------------------------|-------------------|
| 85010002    | 1 clamp        | Mast diameter: 110 – 220   4.3 – 8.7  | 2                 |
| 85010003    | 1 clamp        | Mast diameter: 210 – 380   8.3 – 15.0 | 2                 |
| 737978      | 1 downtilt kit | Downtilt angle: 0°–10°                | 1                 |

## Accessories (included in the scope of supply)

| Product No. | Description | Remarks<br>mm   inches              | Units per antenna |
|-------------|-------------|-------------------------------------|-------------------|
| 738546      | 1 clamp     | Mast diameter: 42 – 115   1.7 – 4.5 | 2                 |

For downtilt mounting use the clamps for an appropriate mast diameter together with the downtilt kit.

Wall mounting: No additional mounting kit needed.

**Material:**

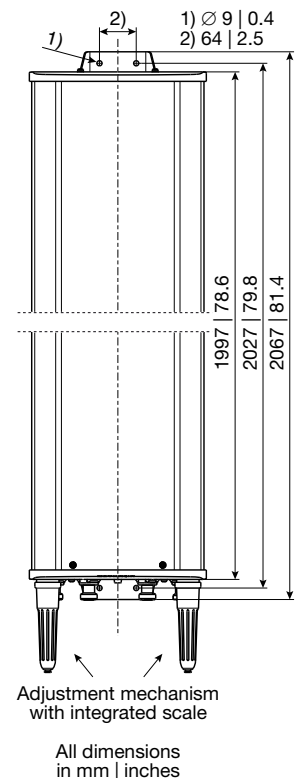
**Reflector screen:** Aluminum.

**Fiberglass housing:** It covers totally the internal antenna components. The special design reduces the sealing areas to a minimum and guarantees the best weather protection. Fiberglass material guarantees optimum performance with regards to stability, stiffness, UV resistance and painting. The color of the radome is light grey.

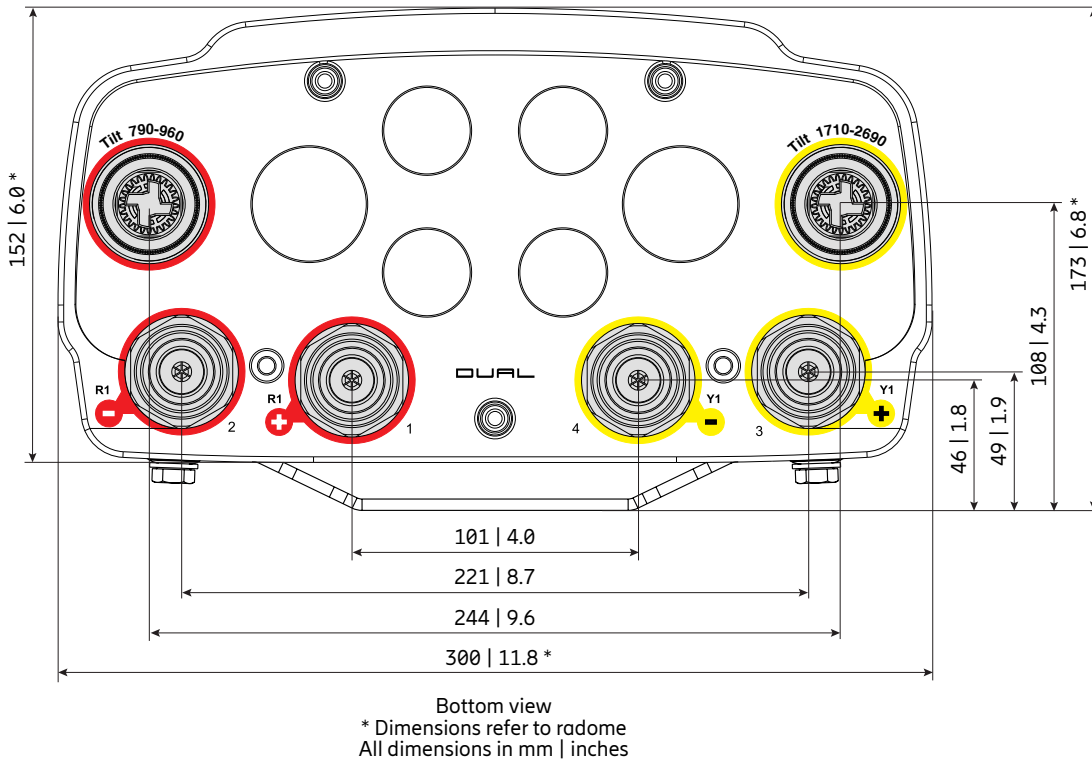
**All nuts and bolts:** Stainless steel or hot-dip galvanized steel.

**Grounding:**

The metal parts of the antenna including the mounting kit and the inner conductors are DC grounded.



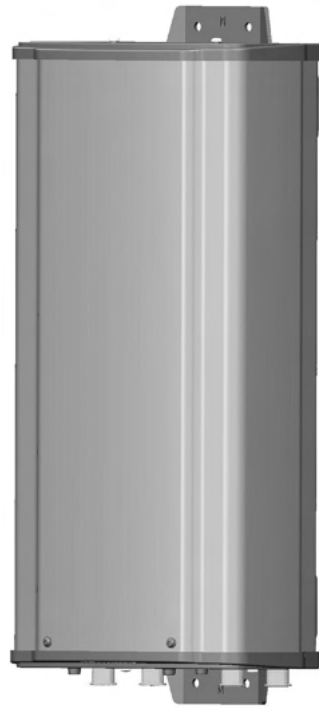
## Layout of interface



## Correlation Table

| Frequency range | Array | Connector / Ports |
|-----------------|-------|-------------------|
| 698–960 MHz     | R1    | 1–2               |
| 1710–2690 MHz   | Y1    | 3–4               |





1LB nMB

# Antenna 3000 1L 1M 0.6m

80010715

Capacity

**Compact**

Coverage

65° | 698–960 MHz | 10.5 dBi

65° | 1695–2690 MHz | 13.5 dBi



[ericsson.com/antenna-system](https://ericsson.com/antenna-system)



Scan or [click](#)

| Lowband   |                  | R1, connector 1–2  |                       |                       |
|---|------------------|--|-----------------------|-----------------------|
| Frequency range   | MHz              | 698 – 824 MHz  | 824 – 894 MHz         | 880 – 960 MHz         |
| Polarization  | °                | +45, -45   | +45, -45              | +45, -45              |
| Average gain  | dBi              | 10.1   | 10.6                  | 10.7                  |
| <b>Horizontal Pattern:</b>  |                  |  |                       |                       |
| Half-power beam width   | °                | 70   | 69                    | 69                    |
| Front-to-back ratio<br>Total power, ± 30°                             | dB               | > 23   | > 25                  | > 25                  |
| Cross polar ratio<br>Maindirection<br>Sector                          | 0°<br>±60°<br>dB | Typically: 25<br>> 8   | Typically: 28<br>> 10 | Typically: 28<br>> 10 |
| <b>Vertical Pattern:</b>  |                  |  |                       |                       |
| Half-power beam width   | °                | 40   | 36                    | 35                    |
| Electrical tilt   | °                | 2.5, fixed   |                       |                       |
| Impedance   | Ω                | 50   |                       |                       |
| VSWR  |                  | < 1.5  |                       |                       |
| Isolation: Intrasystem  | dB               | > 27, typ. > 30  | > 30                  | > 28, typ. > 30       |
| Isolation: Intersystem  | dB               | > 26, typ. > 30 (R1 // Y1)   |                       |                       |
| Intermodulation IM3   | dBc              | < -153 (2 x 43 dBm carrier)  |                       |                       |
| Max. effective power per port<br>Max. effective power for the antenna | W                | 250 (at 50 °C ambient temperature)<br>400 (at 50 °C ambient temperature) |                       |                       |

| Midband   |                  | Y1, connector 3–4  |              |              |                 |              |
|---|------------------|--|--------------|--------------|-----------------|--------------|
| Frequency range   | MHz              | 1695 – 1880  | 1850 – 1990  | 1920 – 2180  | 2200 – 2490     | 2490 – 2690  |
| Polarization  | °                | +45, -45   | +45, -45     | +45, -45     | +45, -45        | +45, -45     |
| Average gain  | dBi              | 13.1   | 13.7         | 13.7         | 13.8            | 13.6         |
| <b>Horizontal Pattern:</b>  |                  |  |              |              |                 |              |
| Half-power beam width   | °                | 62   | 55           | 55           | 55              | 68           |
| Front-to-back ratio<br>Total power, ± 30°                             | dB               | > 26   | > 27         | > 27         | > 27            | > 25         |
| Cross polar ratio<br>Maindirection<br>Sector                          | 0°<br>±60°<br>dB | Typically: 25<br>> 10  | > 28<br>> 10 | > 28<br>> 10 | > 25<br>> 10    | > 28<br>> 10 |
| <b>Vertical Pattern:</b>  |                  |  |              |              |                 |              |
| Half-power beam width   | °                | 17.6   | 16.7         | 15.9         | 14.5            | 12.4         |
| Electrical tilt   | °                | 2.5, fixed   |              |              |                 |              |
| Impedance   | Ω                | 50   |              |              |                 |              |
| VSWR  |                  | < 1.5  |              |              |                 |              |
| Isolation: Intrasystem  | dB               | > 26, typ. > 31  |              |              | > 30, typ. > 31 |              |
| Isolation: Intersystem  | dB               | > 30 (Y1 // R1)  |              |              |                 |              |
| Intermodulation IM3   | dBc              | < -153 (2 x 43 dBm carrier)  |              |              |                 |              |
| Max. effective power per port<br>Max. effective power for the antenna | W                | 200 (at 50 °C ambient temperature)<br>400 (at 50 °C ambient temperature) |              |              |                 |              |
| Total power for the antenna   | W                | 800 (at 50 °C ambient temperature)                                       |              |              |                 |              |



## Mechanical specifications

|   |   |   |
|---|---|---|
| Input                                     | 4 x 4.3-10 female   |   |
| Connector position                        | Bottom  |   |
| Wind load (at Rated Wind Speed: 150 km/h) | N   lbf   | Frontal: 110   25<br>Maximal: 170   38                  |
| Max. wind velocity                        | km/h<br>mph   | 241<br>150  |
| Height/width/depth                        | mm<br>inches  | 603 / 300 / 152<br>23.7 / 11.8 / 6.0                    |
| Category of mounting hardware             | M (Medium)  |   |
| Weight                                    | kg<br>lb  | 8.5 / 10.7 (clamps incl.)<br>18.7 / 23.6 (clamps incl.) |
| Packing size                              | mm<br>inches  | 845 x 325 x 193<br>33.3 x 12.8 x 7.6                    |
| Scope of supply                           | Panel and 2 units of clamps for 42–115 mm   1.7–4.5 inches diameter |   |

## Correlation Table

| Frequency range | Array | Connector / Ports |
|-----------------|-------|-------------------|
| 698–960 MHz     | R1    | 1–2               |
| 1695–2690 MHz   | Y1    | 3–4               |

## Accessories (order separately if required)

| Product No. | Description    | Remarks<br>mm   inches                | Units per antenna |
|-------------|----------------|---------------------------------------|-------------------|
| 85010002    | 1 clamp        | Mast diameter: 110 – 220   4.3 – 8.7  | 2                 |
| 85010003    | 1 clamp        | Mast diameter: 210 – 380   8.3 – 15.0 | 2                 |
| 737978      | 1 downtilt kit | Downtilt angle: 0°–15°                | 1                 |

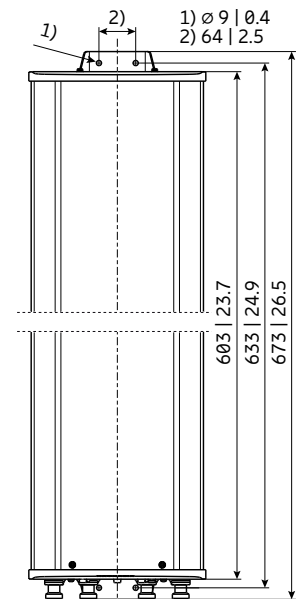
## Accessories (included in the scope of supply)

| Product No. | Description | Remarks<br>mm   inches              | Units per antenna |
|-------------|-------------|-------------------------------------|-------------------|
| 738546      | 1 clamp     | Mast diameter: 42 – 115   1.7 – 4.5 | 2                 |

For downtilt mounting use the clamps for an appropriate mast diameter together with the downtilt kit.  
Wall mounting: No additional mounting kit needed.

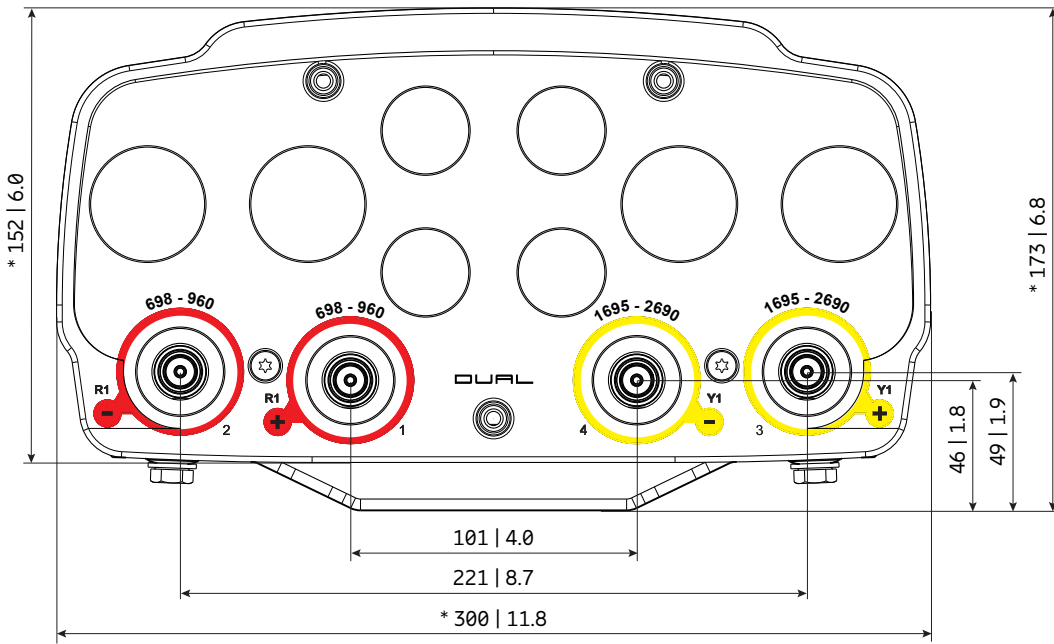
**Material:**  
**Reflector screen:** Aluminum.  
**Fiberglass housing:** It covers totally the internal antenna components. The special design reduces the sealing areas to a minimum and guarantees the best weather protection. Fiberglass material guarantees optimum performance with regards to stability, stiffness, UV resistance and painting. The color of the radome is light grey.  
**All nuts and bolts:** Stainless steel or hot-dip galvanized steel.

**Grounding:** The metal parts of the antenna including the mounting kit and the inner conductors are DC grounded.



All dimensions  
in mm | inches

### Layout of interface



Bottom view  
\* Dimensions refer to radome  
All dimensions in mm | inches





1LB nMB

# Antenna 3000 1L 1M 1.4m

80010664

Capacity

Compact

Coverage

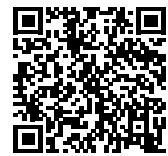
65° | 790–960 MHz | 15.0 dBi

65° | 1710–2690 MHz | 17.5 dBi

Electrical downtilt set by hand or by optional RCU (Remote Control Unit)



[ericsson.com/antenna-system](https://ericsson.com/antenna-system)



Scan or [click](#)

| Lowband  |                  | R1, connector 1 – 2  |  |  |
|--|------------------|--|--|--|
| Frequency range  | MHz              | 790 – 862  | 824 – 894                                | 880 – 960                                |
| Polarization   | °                | +45, -45   | +45, -45                                 | +45, -45                                 |
| Average gain<br>Tilt   | dBi<br>°         | 14.5 ... 14.4 ... 14.2<br>0 ... 8 ... 16                                 | 14.6 ... 14.5 ... 14.3<br>0 ... 8 ... 16 | 14.8 ... 14.6 ... 14.4<br>0 ... 8 ... 16 |
| <b>Horizontal Pattern:</b>   |                  |  |  |  |
| Half-power beam width  | °                | 69   | 68                                       | 67                                       |
| Front-to-back ratio, copolar<br>(180°±30°)                               | dB               | > 25   | > 25                                     | > 25                                     |
| Cross polar ratio<br>Maindirection<br>Sector                             | 0°<br>±60°<br>dB | Typically: 25<br>> 10  | Typically: 25<br>> 9                     | Typically: 25<br>> 8                     |
| <b>Vertical Pattern:</b>   |                  |  |  |  |
| Half-power beam width  | °                | 16.5   | 16.0                                     | 15.5                                     |
| Electrical tilt  | °                | 0 – 16, continuously adjustable  |  |  |
| Sidelobe suppression for first<br>sidelobe above main beam               | ° T<br>dB        | 0 ... 8 ... 16<br>16 ... 15 ... 15                                       | 0 ... 8 ... 16<br>16 ... 15 ... 15       | 0 ... 8 ... 16<br>15 ... 15 ... 14       |
| Impedance  | Ω                | 50   |  |  |
| VSWR   |                  | < 1.5  |  |  |
| Isolation: Intrasystem   | dB               | > 30   |  |  |
| Isolation: Intersystem   | dB               | > 30 (698–960 // 1710–2690 MHz)  |  |  |
| Intermodulation IM3  | dBc              | < -150 (2 x 43 dBm carrier)  |  |  |
| Max. effective power per port<br>Max. effective power for the<br>antenna | W                | 300 (at 50 °C ambient temperature)<br>600 (at 50 °C ambient temperature) |  |  |

| Midband  |                  | Y1, connector 3–4  |  |  |  |  |
|--|------------------|--|--|--|--|--|
| Frequency range  | MHz              | 1710 – 1880  | 1850 – 1990                              | 1920 – 2170                              | 2300 – 2400                              | 2490 – 2690                              |
| Polarization   | °                | +45, -45   | +45, -45                                 | +45, -45                                 | +45, -45                                 | +45, -45                                 |
| Average gain<br>Tilt   | dBi<br>°         | 17.2 ... 17.3 ... 16.8<br>2 ... 6 ... 10                                 | 17.4 ... 17.4 ... 16.9<br>2 ... 6 ... 10 | 17.6 ... 17.7 ... 17.0<br>2 ... 6 ... 10 | 17.0 ... 16.8 ... 16.0<br>2 ... 6 ... 10 | 17.2 ... 17.3 ... 16.7<br>2 ... 6 ... 10 |
| <b>Horizontal Pattern:</b>   |                  |  |  |  |  |  |
| Half-power beam width  | °                | 63   | 64                                       | 66                                       | 73                                       | 65                                       |
| Front-to-back ratio, copolar<br>(180°±30°)                               | dB               | > 25   | > 28                                     | > 29                                     | > 26                                     | > 25                                     |
| Cross polar ratio<br>Maindirection<br>Sector                             | dB<br>0°<br>±60° | Typically: 18<br>> 9   | 20<br>> 10                               | 20<br>> 10                               | 23<br>> 10                               | 23<br>> 8                                |
| <b>Vertical Pattern:</b>   |                  |  |  |  |  |  |
| Half-power beam width  | °                | 6.2  | 5.8                                      | 5.6                                      | 5.4                                      | 4.8                                      |
| Electrical tilt  | °                | 2–10, continuously adjustable  |  |  |  |  |
| Sidelobe suppression for first<br>sidelobe above main beam               | °T<br>dB         | 2 ... 6 ... 10<br>14 ... 15 ... 16                                       | 2 ... 6 ... 10<br>14 ... 15 ... 17       | 2 ... 6 ... 10<br>15 ... 16 ... 17       | 2 ... 6 ... 10<br>17 ... 18 ... 18       | 2 ... 6 ... 10<br>15 ... 17 ... 18       |
| Impedance  | Ω                | 50   |  |  |  |  |
| VSWR   |                  | < 1.5  |  |  |  |  |
| Isolation: Intrasystem   | dB               | > 28   |  |  |  | > 30                                     |
| Isolation: Intersystem   | dB               | > 30 (790–960 // 1710–2690 MHz)  |  |  |  |  |
| Intermodulation IM3  | dBc              | < -150 (2 x 43 dBm carrier)  |  |  |  |  |
| Max. effective power per port<br>Max. effective power for the<br>antenna | W                | 200 (at 50 °C ambient temperature)<br>400 (at 50 °C ambient temperature) |  |  |  |  |



### Mechanical specifications

|  |   |  |
|--|---|--|
| Input  | 4x 7-16 female (long neck)  |  |
| Connector position                           | Bottom  |  |
| Adjustment mechanism                         | 2x, Position bottom<br>continuously adjustable                            |  |
| Wind load (at Rated<br>Wind Speed: 150 km/h) | N   lbf   | Frontal: 260   58<br>Maximal: 415   93               |
| Max. wind velocity                           | km/h<br>mph   | 200<br>124   |
| Height / width / depth                       | mm<br>inches  | 1403 / 300 / 152<br>55.2 / 11.8 / 6.0                |
| Category of<br>mounting hardware             | M (Medium)  |  |
| Weight                                       | kg<br>lb  | 18 / 20 (clamps incl.)<br>39.7 / 44.1 (clamps incl.) |
| Packing size                                 | mm<br>inches  | 1726 x 322 x 190<br>68.0 x 12.7 x 7.5                |
| Scope of supply                              | Panel and 2 units of clamps<br>for 42–115 mm  <br>1.7–4.5 inches diameter |  |

### Correlation Table

| Frequency range | Array | Connector/ Ports |
|-----------------|-------|------------------|
| 790–960 MHz     | R1    | 1–2              |
| 1710–2690 MHz   | Y1    | 3–4              |

## Accessories (order separately if required)

| Product No. | Description    | Remarks<br>mm   inches                | Units per antenna |
|-------------|----------------|---------------------------------------|-------------------|
| 85010002    | 1 clamp        | Mast diameter: 110 – 220   4.3 – 8.7  | 2                 |
| 85010003    | 1 clamp        | Mast diameter: 210 – 380   8.3 – 15.0 | 2                 |
| 737978      | 1 downtilt kit | Downtilt angle: 0°–15°                | 1                 |

## Accessories (included in the scope of supply)

| Product No. | Description | Remarks<br>mm   inches              | Units per antenna |
|-------------|-------------|-------------------------------------|-------------------|
| 738546      | 1 clamp     | Mast diameter: 42 – 115   1.7 – 4.5 | 2                 |

For downtilt mounting use the clamps for an appropriate mast diameter together with the downtilt kit.  
Wall mounting: No additional mounting kit needed.

### Material:

**Reflector screen:** Aluminum.

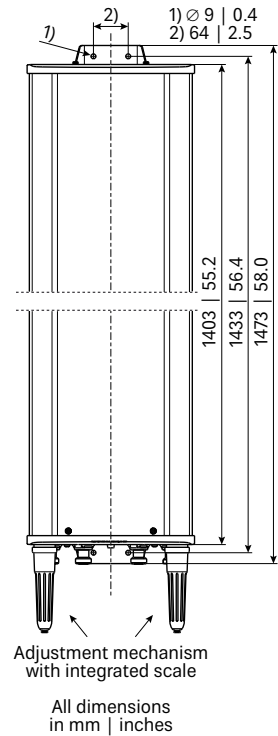
**Fiberglass housing:** It covers totally the internal antenna components.

The special design reduces the sealing areas to a minimum and guarantees the best weather protection. Fiberglass material guarantees optimum performance with regards to stability, stiffness, UV resistance and painting. The color of the radome is light grey.

**All nuts and bolts:** Stainless steel or hot-dip galvanized steel.

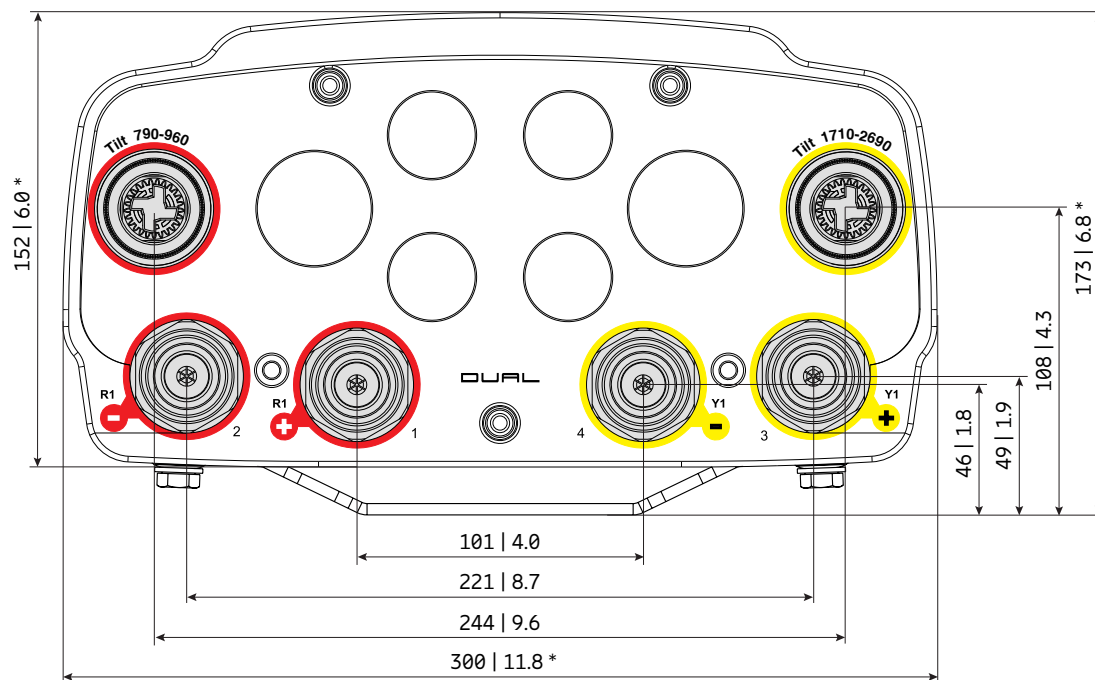
### Grounding:

The metal parts of the antenna including the mounting kit and the inner conductors are DC grounded.



1LB nMB

## Layout of interface



Bottom view  
\* Dimensions refer to radome  
All dimensions in mm | inches



1LB nMB

# Antenna 3001 1L 1M 0.3m

80010753

Capacity

Compact

Coverage

65° | 790–960 MHz | 8.0 dBi

65° | 1710–2690 MHz | 9.0 dBi

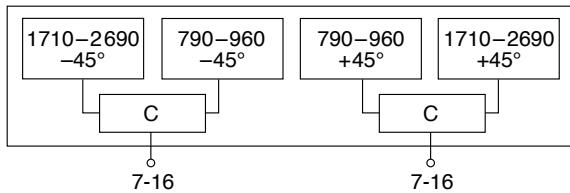


[ericsson.com/antenna-system](https://ericsson.com/antenna-system)



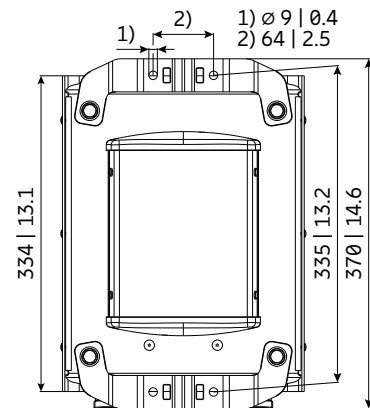
Scan or [click](#)

|  |            | R1                                 |                      |                      | Y1                                 |                       |                       |                       |
|--|------------|------------------------------------|----------------------|----------------------|------------------------------------|-----------------------|-----------------------|-----------------------|
| Frequency range                              | MHz        | 790 – 862                          | 824 – 894            | 880 – 960            | 1710 – 1990                        | 1920 – 2200           | 2200 – 2490           | 2490 – 2690           |
| Polarization                                 | °          | +45, –45                           | +45, –45             | +45, –45             | +45, –45                           | +45, –45              | +45, –45              | +45, –45              |
| Average gain (dBi)                           | dBi        | 2 x 7.8                            | 2 x 8.0              | 2 x 8.5              | 2 x 7.8                            | 2 x 8.9               | 2 x 8.7               | 2 x 8.2               |
| <b>Horizontal Pattern:</b>                   |            |                                    |                      |                      |                                    |                       |                       |                       |
| Half-power beam width                        | °          | 67                                 |                      |                      | 65                                 | 55                    | 60                    | 62                    |
| Front-to-back ratio                          | dB         | Copolar: > 25                      | Copolar: > 25        | Copolar: > 25        | Copolar: > 25                      | Copolar: > 25         | Copolar: > 25         | Copolar: > 25         |
| Cross polar ratio<br>Maindirection<br>Sector | 0°<br>±60° | Typically: 15<br>> 8               | Typically: 18<br>> 8 | Typically: 20<br>> 8 | Typically: 25<br>> 10              | Typically: 25<br>> 10 | Typically: 25<br>> 10 | Typically: 25<br>> 10 |
| <b>Vertical Pattern:</b>                     |            |                                    |                      |                      |                                    |                       |                       |                       |
| Half-power beam width                        | °          | 65                                 |                      |                      | 75                                 | 60                    | 60                    | 65                    |
| <b>Impedance</b>                             | Ω          | 50                                 |                      |                      |                                    |                       |                       |                       |
| VSWR   |            | < 1.5                              |                      |                      |                                    |                       |                       |                       |
| Isolation: Intrasystem                       | dB         | > 30                               |                      |                      | > 30                               |                       | > 27                  | > 25                  |
| Intermodulation IM3                          | dBc        | < –150 dBc (2 x 43 dBm carrier)    |                      |                      |                                    |                       |                       |                       |
| Max. effective power per port                | W          | 200 (at 50 °C ambient temperature) |                      |                      | 100 (at 50 °C ambient temperature) |                       |                       |                       |
| Max. effective power for the antenna         | W          | 300 (at 50 °C ambient temperature) |                      |                      |                                    |                       |                       |                       |



## Mechanical specifications

|   |   |  |
|---|---|--|
| Input                                     | 2 x 7-16 female   |  |
| Connector position                        | Bottom  |  |
| Wind load (at Rated Wind Speed: 150 km/h) | N   lbf   | Frontal: 100   22<br>Maximal: 110   25                 |
| Max. wind velocity                        | km/h<br>mph   | 200<br>124   |
| Height / width / depth                    | mm<br>inches  | 334 / 260 / 136<br>13.1 / 10.2 / 5.4                   |
| Category of mounting hardware             | L (Light)   |  |
| Weight                                    | kg<br>lb  | 2.8 (tension bands incl.)<br>6.2 (tension bands incl.) |
| Packing size                              | mm<br>inches  | 495 x 272 x 157<br>19.5 x 10.7 x 6.2                   |
| Scope of Supply                           | Panel and 1 unit of tension bands for 45 – 125 mm   1.8 – 4.9 inches diameter |  |



All dimensions in mm | inches

## Accessories (order separately if required)

| Product No. | Description     | Remarks<br>mm   inches                | Units per<br>antenna |
|-------------|-----------------|---------------------------------------|----------------------|
| 734360      | 2 tension bands | Mast diameter: 34 – 60   1.3 – 2.4    | 1                    |
| 734364      | 2 tension bands | Mast diameter: 120 – 140   4.7 – 5.5  | 1                    |
| 731651      | 1 clamp         | Mast diameter: 28 – 60   1.1 – 2.4    | 2                    |
| 85010002    | 1 clamp         | Mast diameter: 110 – 220   4.3 – 8.7  | 2                    |
| 85010003    | 1 clamp         | Mast diameter: 210 – 380   8.3 – 15.0 | 2                    |
| 737978      | 1 downtilt kit  | Downtilt angle: 0°–44°                | 1                    |

## Accessories (included in the scope of supply)

| Product No. | Description | Remarks<br>mm   inches              | Units per<br>antenna |
|-------------|-------------|-------------------------------------|----------------------|
| 738546      | 1 clamp     | Mast diameter: 42 – 115   1.7 – 4.5 | 2                    |

For downtilt mounting use the clamps for an appropriate mast diameter together with the downtilt kit.  
Wall mounting: No additional mounting kit needed.

Please note: Using a downtilt kit is only possible in combination with clamps 731651, 738546, 85010002 or 85010003

**Material:**  
**Reflector screen:** Weather-proof aluminum.  
**Fiberglass housing:** The grey fiberglass radomes of these antennas are very stable and extraordinarily stiff. They are resistant to ultraviolet radiation and can also be painted to match their surroundings.  
**All nuts and bolts:** Stainless steel or hot-dip galvanized steel.

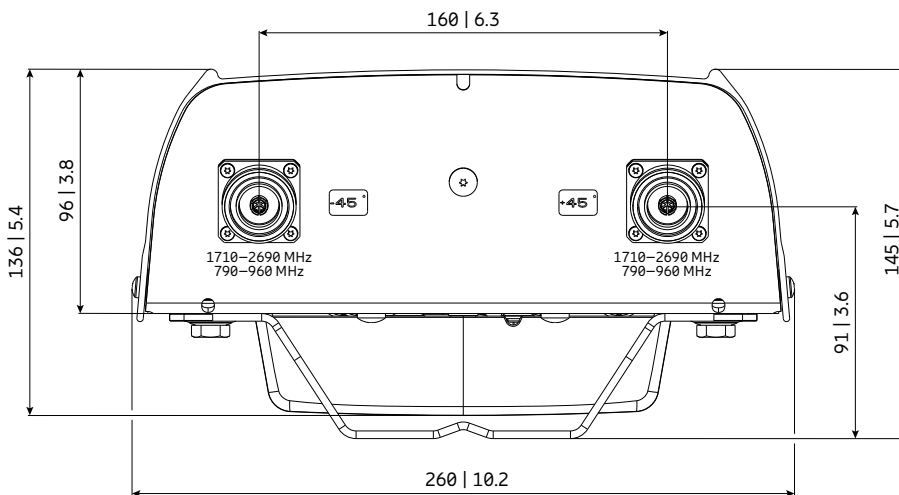
**Grounding:** The metal parts of the antenna including the mounting kit and the inner conductors are DC grounded.

## Correlation Table

| Frequency range | Array | Connector / Ports |
|-----------------|-------|-------------------|
| 790 – 960 MHz   | R1    | 1–2               |
| 1710 – 2690 MHz | Y1    | 1–2               |



## Layout of interface



All dimensions in mm | inches



1LB nMB

# Antenna 3000 1L 1M 2.6m

80010666V01

Capacity

Compact

Coverage

65° | 698–960 MHz | 17.0 dBi

65° | 1710–2690 MHz | 18.5 dBi

Electrical downtilt set by hand or by optional RCU (Remote Control Unit)



[ericsson.com/antenna-system](https://ericsson.com/antenna-system)



Scan or [click](#)



| Lowband   |     | R1, connector 1–2                  |            |            |            |  |
|---|-----|------------------------------------|------------|------------|------------|--|
| Frequency Range   | MHz | 698 – 806                          | 790 – 862  | 824 – 894  | 880 – 960  |  |
| Gain at mid Tilt  | dBi | 16.0                               | 16.6       | 16.9       | 17.1       |  |
| Gain over all Tilts                                     | dBi | 16.0 ± 0.5                         | 16.5 ± 0.4 | 16.8 ± 0.4 | 17.0 ± 0.2 |  |
| <b>Horizontal Pattern:</b>                              |     |                                    |            |            |            |  |
| Azimuth Beamwidth                                       | °   | 71 ± 2.2                           | 68 ± 1.0   | 68 ± 0.9   | 67 ± 1.5   |  |
| Front-to-Back Ratio, Total Power, ± 30°                 | dB  | > 22                               | > 24       | > 26       | > 27       |  |
| Cross Polar Discrimination at Boresight                 | dB  | > 23                               | > 22       | > 22       | > 21       |  |
| Cross Polar Discrimination over Sector                  | dB  | > 8.0                              | > 8.5      | > 9.5      | > 8.5      |  |
| <b>Vertical Pattern:</b>                                |     |                                    |            |            |            |  |
| Elevation Beamwidth                                     | °   | 8.4 ± 0.7                          | 7.7 ± 0.4  | 7.5 ± 0.4  | 7.0 ± 0.3  |  |
| Electrical Downtilt continuously adjustable             | °   | 1.5 – 10.0                         |            |            |            |  |
| Tilt Accuracy   | °   | < 0.3                              | < 0.3      | < 0.3      | < 0.3      |  |
| First Upper Side Lobe Suppression                       | dB  | > 16                               | > 17       | > 16       | > 15       |  |
| Upper Side Lobe Suppression, 20° Sector above Main Beam | dB  | > 16                               | > 17       | > 16       | > 15       |  |
| Cross Polar Isolation                                   | dB  | > 30                               |            |            |            |  |
| Port to Port Isolation                                  | dB  | > 30 (R1 // Y1)                    |            |            |            |  |
| Max. Effective Power per Port                           | W   | 400 (at 50 °C ambient temperature) |            |            |            |  |
| Max. Effective Power Ports R1                           | W   | 800 (at 50 °C ambient temperature) |            |            |            |  |

Values based on NGMN-P-BASTA (version 9.6) requirements.

| Midband   |     | Y1, connector 3–4                  |             |             |             |             |
|---|-----|------------------------------------|-------------|-------------|-------------|-------------|
| Frequency Range   | MHz | 1710 – 1880                        | 1850 – 1990 | 1920 – 2170 | 2300 – 2400 | 2490 – 2690 |
| Gain at mid Tilt  | dBi | 18.0                               | 18.5        | 18.8        | 18.6        | 19.0        |
| Gain over all Tilts                                     | dBi | 18.0 ± 0.4                         | 18.5 ± 0.4  | 18.7 ± 0.4  | 18.5 ± 0.7  | 18.8 ± 0.4  |
| <b>Horizontal Pattern:</b>                              |     |                                    |             |             |             |             |
| Azimuth Beamwidth                                       | °   | 64 ± 3.4                           | 62 ± 2.9    | 62 ± 2.2    | 60 ± 4.8    | 60 ± 2.0    |
| Front-to-Back Ratio, Total Power, ± 30°                 | dB  | > 25                               | > 26        | > 27        | > 25        | > 26        |
| Cross Polar Discrimination at Boresight                 | dB  | > 15                               | > 18        | > 20        | > 16        | > 21        |
| Cross Polar Discrimination over Sector                  | dB  | > 8.0                              | > 11.0      | > 11.0      | > 10.0      | > 9.5       |
| <b>Vertical Pattern:</b>                                |     |                                    |             |             |             |             |
| Elevation Beamwidth                                     | °   | 5.0 ± 0.4                          | 4.7 ± 0.2   | 4.4 ± 0.4   | 3.9 ± 0.2   | 3.5 ± 0.2   |
| Electrical Downtilt continuously adjustable             | °   | 2.0 – 8.0                          |             |             |             |             |
| Tilt Accuracy   | °   | < 0.2                              | < 0.2       | < 0.2       | < 0.2       | < 0.2       |
| First Upper Side Lobe Suppression                       | dB  | > 19                               | > 18        | > 20        | > 20        | > 18        |
| Upper Side Lobe Suppression, 20° Sector above Main Beam | dB  | > 16                               | > 16        | > 16        | > 16        | > 17        |
| Cross Polar Isolation                                   | dB  | > 28                               |             |             |             |             |
| Port to Port Isolation                                  | dB  | > 30 (R1 // Y1)                    |             |             |             |             |
| Max. Effective Power per Port                           | W   | 200 (at 50 °C ambient temperature) |             |             |             |             |
| Max. Effective Power Ports Y1                           | W   | 400 (at 50 °C ambient temperature) |             |             |             |             |

Values based on NGMN-P-BASTA (version 9.6) requirements.

## Electrical specifications, all ports

|                                      |          |                                    |
|--------------------------------------|----------|------------------------------------|
| Impedance                            | $\Omega$ | 50                                 |
| VSWR                                 |          | < 1.5                              |
| Return Loss                          | dB       | > 14                               |
| Interband Isolation                  | dB       | > 30                               |
| Passive Intermodulation              | dBc      | < -150 (2 x 43 dBm carrier)        |
| Polarization                         | °        | +45, -45                           |
| Max. Effective Power for the Antenna | W        | 900 (at 50 °C ambient temperature) |

Values based on NGMN-P-BASTA (version 9.6) requirements.

## Mechanical specifications

|   |   |  |
|---|---|--|
| Input                                     | 4x 7-16 female long neck  |  |
| Connector Position                        | bottom  |  |
| Adjustment Mechanism                      | 2x, Position bottom continuously adjustable                         |  |
| Wind load (at Rated Wind Speed: 150 km/h) | N   lbf   | Frontal: 530   119<br>Maximal: 845   190                 |
| Max. Wind Velocity                        | km/h<br>mph   | 200<br>124   |
| Height / Width / Depth                    | mm<br>inches  | 2622 / 300 / 152<br>103.2 / 11.8 / 6.0                   |
| Category of Mounting Hardware             | H (Heavy)   |  |
| Weight                                    | kg<br>lb  | 26.5 / 28.7 (clamps incl.)<br>58.4 / 63.3 (clamps incl.) |
| Packing Size                              | mm<br>inches  | 2951 / 322 / 190<br>116.2 / 12.7 / 7.5                   |
| Scope of Supply                           | Panel and 2 units of clamps for 42–115 mm   1.7–4.5 inches diameter |  |

## Accessories (order separately if required)

| Product No. | Description    | Remarks<br>mm   inches                | Units per antenna |
|-------------|----------------|---------------------------------------|-------------------|
| 85010002    | 1 clamp        | Mast diameter: 110 – 220   4.3 – 8.7  | 2                 |
| 85010003    | 1 clamp        | Mast diameter: 210 – 380   8.3 – 15.0 | 2                 |
| 85010009    | 1 downtilt kit | Downtilt angle: 0°–8°                 | 1                 |

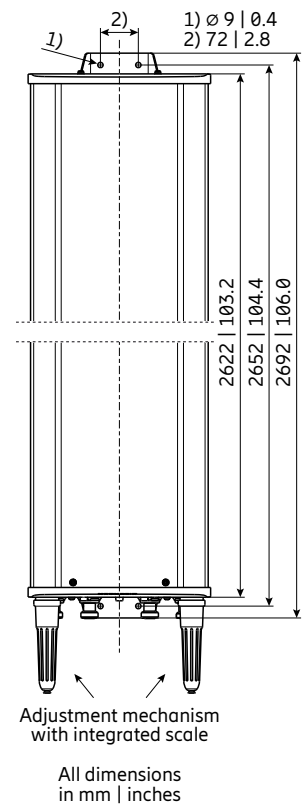
## Accessories (included in the scope of supply)

| Product No. | Description | Remarks<br>mm   inches              | Units per antenna |
|-------------|-------------|-------------------------------------|-------------------|
| 738546      | 1 clamp     | Mast diameter: 42 – 115   1.7 – 4.5 | 2                 |

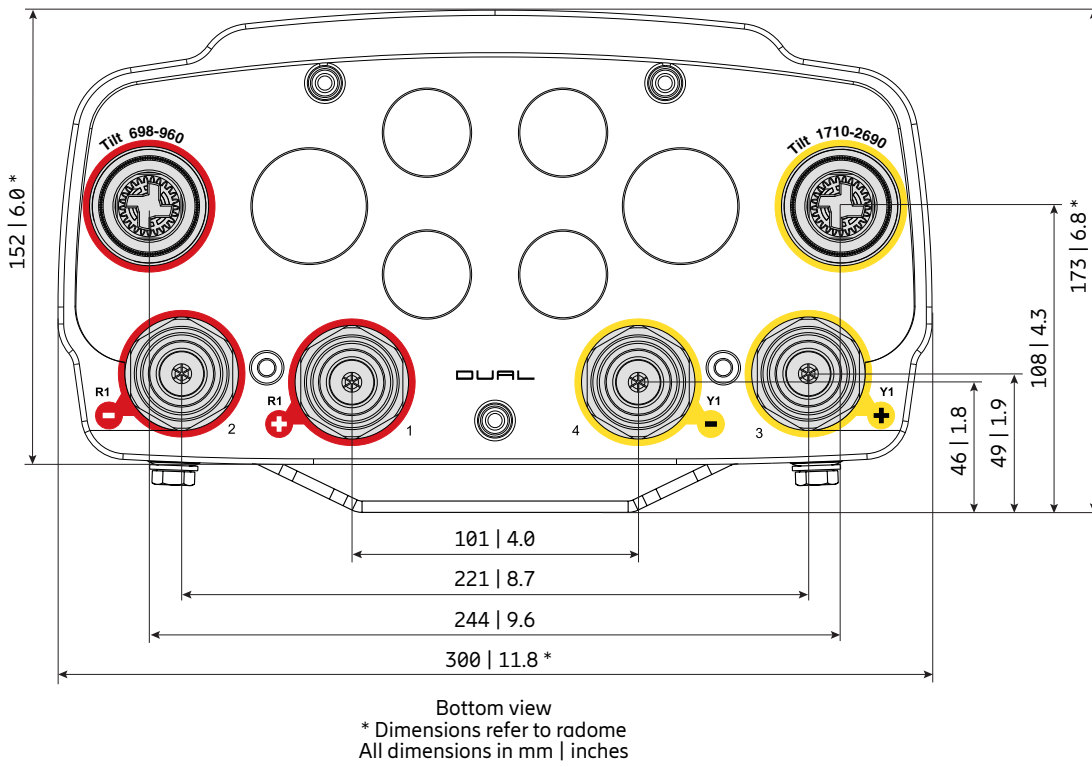
For downtilt mounting use the clamps for an appropriate mast diameter together with the downtilt kit.  
Wall mounting: No additional mounting kit needed.

**Material:** **Reflector screen:** Aluminum.  
**Fiberglass housing:** It covers totally the internal antenna components. The special design reduces the sealing areas to a minimum and guarantees the best weather protection. Fiberglass material guarantees optimum performance with regards to stability, stiffness, UV resistance and painting. The color of the radome is light grey.  
**All nuts and bolts:** Stainless steel or hot-dip galvanized steel.

**Grounding:** The metal parts of the antenna including the mounting kit and the inner conductors are DC grounded.



## Layout of interface



## Correlation Table

| Frequency range | Array | Connector / Ports |
|-----------------|-------|-------------------|
| 698–960 MHz     | R1    | 1–2               |
| 1710–2690 MHz   | Y1    | 3–4               |





1LB nMB

# Antenna 3002 1L 1M 2.6m

80010123V03

Capacity

Compact

Coverage

90° | 790–960 MHz | 16.5 dBi

90° | 1710–2180 MHz | 18.0 dBi

Electrical downtilt set by hand or by optional RCU (Remote Control Unit)



[ericsson.com/antenna-system](https://ericsson.com/antenna-system)



Scan or [click](#)

| Lowband  |                    | R1, connector 1–2   |                                     |                                     |
|--|--------------------|---|-------------------------------------|-------------------------------------|
| Frequency range  | MHz                | 790 – 862   | 824 – 894                           | 880 – 960                           |
| Polarization   | °                  | +45, -45  | +45, -45                            | +45, -45                            |
| Average gain   | dBi                | 16.1 ... 16.2 ... 16.1  | 16.3 ... 16.4 ... 16.3              | 16.5 ... 16.6 ... 16.5              |
| Tilt   | °                  | 0.5 ... 4 ... 7   | 0.5 ... 4 ... 7                     | 0.5 ... 4 ... 7                     |
| <b>Horizontal Pattern:</b>                                   |                    |   |                                     |                                     |
| Half-power beam width  | °                  | 86  | 86                                  | 86                                  |
| Front-to-back ratio, copolar                                 | dB                 | > 25  | > 25                                | > 25                                |
| Cross polar ratio<br>Maindirection<br>Sector                 | 0°<br>±60°<br>±60° | Typically:<br>18<br>> 10<br>avg. 16                                       | Typically:<br>18<br>> 10<br>avg. 16 | Typically:<br>20<br>> 13<br>avg. 19 |
| Tracking, Avg.   | dB                 | 0.5   |                                     |                                     |
| Squint   | °                  | ±3.0  |                                     |                                     |
| <b>Vertical Pattern:</b>                                     |                    |   |                                     |                                     |
| Half-power beam width  | °                  | 7.3   | 7.2                                 | 6.9                                 |
| Electrical tilt  | °                  | 0.5–7, continuously adjustable  |                                     |                                     |
| Min. sidelobe suppression for first sidelobe above main beam | °T<br>dB           | 0.5 ... 4 ... 7<br>15 ... 14 ... 14                                       | 0.5 ... 4 ... 7<br>15 ... 14 ... 14 | 0.5 ... 4 ... 7<br>15 ... 14 ... 15 |
| VSWR   |                    | < 1.5   |                                     |                                     |
| Isolation: Intrasystem                                       | dB                 | > 30  |                                     |                                     |
| Isolation: Intersystem                                       | dB                 | > 42 (790–960 // 1710–2180 MHz)   |                                     |                                     |
| Intermodulation IM3  | dBc                | < -150 (2 x 43 dBm carrier)   |                                     |                                     |
| Max. power per input<br>Total power                          | W                  | 500 (at 50 °C ambient temperature)<br>1000 (at 50 °C ambient temperature) |                                     |                                     |

| Midband  |                    | B1, connector 3–4  |                                     |                                     |
|--|--------------------|--|-------------------------------------|-------------------------------------|
| Frequency range  | MHz                | 1710 – 1880  | 1850 – 1990                         | 1920 – 2180                         |
| Polarization   | °                  | +45, -45   | +45, -45                            | +45, -45                            |
| Average gain   | dBi                | 17.8 ... 17.7 ... 17.4   | 18.0 ... 17.9 ... 17.4              | 17.9 ... 17.8 ... 17.3              |
| Tilt   | °                  | 0 ... 3 ... 6  | 0 ... 3 ... 6                       | 0 ... 3 ... 6                       |
| <b>Horizontal Pattern:</b>                                   |                    |  |                                     |                                     |
| Half-power beam width  | °                  | 84   | 85                                  | 88                                  |
| Front-to-back ratio<br>(180°±30°)                            | dB                 | > 23   | > 23                                | > 23                                |
| Cross polar ratio<br>Maindirection<br>Sector                 | 0°<br>±60°<br>±60° | Typically:<br>16<br>> 10<br>avg. 16                                      | Typically:<br>16<br>> 12<br>avg. 17 | Typically:<br>15<br>> 10<br>avg. 18 |
| Tracking, Avg.   | dB                 | 0.5  |                                     |                                     |
| Squint   | °                  | ±3.0   |                                     |                                     |
| <b>Vertical Pattern:</b>                                     |                    |  |                                     |                                     |
| Half-power beam width  | °                  | 4.8  | 4.5                                 | 4.2                                 |
| Electrical tilt  | °                  | 0–6, continuously adjustable   |                                     |                                     |
| Min. sidelobe suppression for first sidelobe above main beam | °T<br>dB           | 0 ... 3 ... 6<br>18 ... 17 ... 16  | 0 ... 3 ... 6<br>18 ... 17 ... 17   | 0 ... 3 ... 6<br>18 ... 16 ... 17   |
| VSWR   |                    | < 1.5  |                                     |                                     |
| Isolation: Intrasystem                                       | dB                 | > 30   |                                     |                                     |
| Isolation: Intersystem                                       | dB                 | > 42 (790–960 // 1710–2180 MHz)  |                                     |                                     |
| Intermodulation IM3  | dBc                | < -150 (2 x 43 dBm carrier)  |                                     |                                     |
| Max. power per input<br>Total power                          | W                  | 250 (at 50 °C ambient temperature)<br>500 (at 50 °C ambient temperature) |                                     |                                     |



## Mechanical specifications

|   |   |  |
|---|---|--|
| Input                                     | 4x 7-16 female (long neck)  |  |
| Connector position                        | Bottom  |  |
| Adjustment Mechanism                      | 2x, Position bottom continuously adjustable                         |  |
| Wind load (at Rated Wind Speed: 150 km/h) | N   lbf   | Frontal: 680   153<br>Maximal: 750   169                 |
| Max. wind velocity                        | km/h<br>mph   | 200<br>124   |
| Height / width / depth                    | mm<br>inches  | 2635 / 262 / 149<br>103.7 / 10.3 / 5.9                   |
| Category of mounting hardware             | H (Heavy)   |  |
| Weight                                    | kg<br>lb  | 33.0 / 35.0 (clamps incl.)<br>72.8 / 77.2 (clamps incl.) |
| Packing size                              | mm<br>inches  | 2966 x 282 x 182<br>116.8 x 11.1 x 7.2                   |
| Scope of Supply                           | Panel and 2 units of clamps for 42–115 mm   1.7–4.5 inches diameter |  |

## Correlation Table

| Frequency range | Array | Connector / Ports |
|-----------------|-------|-------------------|
| 790–960 MHz     | R1    | 1–2               |
| 1710–2180 MHz   | B1    | 3–4               |

## Accessories (order separately if required)

| Product No. | Description    | Remarks<br>mm   inches                | Units per antenna |
|-------------|----------------|---------------------------------------|-------------------|
| 731651      | 1 clamp        | Mast diameter: 28 – 60   1.1 – 2.4    | 2                 |
| 85010002    | 1 clamp        | Mast diameter: 110 – 220   4.3 – 8.7  | 2                 |
| 85010003    | 1 clamp        | Mast diameter: 210 – 380   8.3 – 15.0 | 2                 |
| 85010009    | 1 downtilt kit | Downtilt angle: 0°–8°                 | 1                 |

## Accessories (included in the scope of supply)

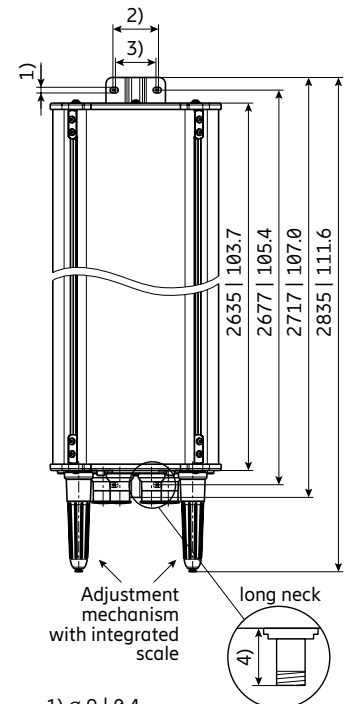
| Product No. | Description | Remarks<br>mm   inches              | Units per antenna |
|-------------|-------------|-------------------------------------|-------------------|
| 738546      | 1 clamp     | Mast diameter: 42 – 115   1.7 – 4.5 | 2                 |

For downtilt mounting use the clamps for an appropriate mast diameter together with the downtilt kit.

Wall mounting: No additional mounting kit needed.

**Material:**  
**Reflector screen:** Weather-proof aluminum.  
**Fiberglass housing:** It covers totally the internal antenna components. The special design reduces the sealing areas to a minimum and guarantees the best weather protection. Fiberglass material guarantees optimum performance with regards to stability, stiffness, UV resistance and painting. The color of the radome is light grey.  
**All screws and nuts:** Stainless steel.

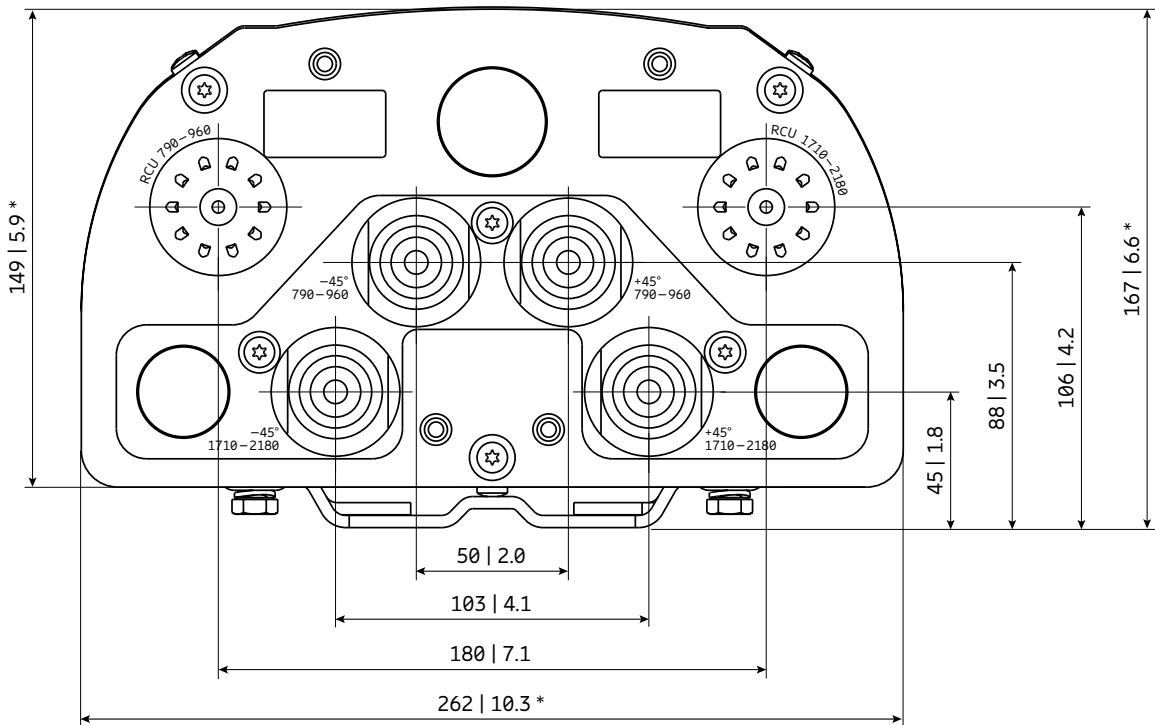
**Grounding:** The metal parts of the antenna including the mounting kit and the inner conductors are DC grounded.



- 1)  $\varnothing$  9 | 0.4  
 2) 72 | 2.8  
 3) 64 | 2.5  
 4) 35–42 | 1.4–1.7

All dimensions in mm | inches

## Layout of interface



Bottom view  
\* Dimensions refer to radome  
All dimensions in mm | inches



1LB nMB

# Antenna 3400 1L 2M 1.9m

80010865

Capacity

Compact

Coverage

65° | 1x 698–960 MHz | 16.0 dBi  
65° | 2x 1695–2690 MHz | 18.0 dBi  
FlexRET



[ericsson.com/antenna-system](https://ericsson.com/antenna-system)



Scan or [click](#)



| Left side, lowband                                      |     | R1, connector 1–2                  |            |            |            |  |
|---|-----|------------------------------------|------------|------------|------------|--|
| Frequency Range   | MHz | 698 – 806                          | 790 – 862  | 824 – 894  | 880 – 960  |  |
| Gain at mid Tilt  | dBi | 15.2                               | 15.7       | 15.9       | 16.2       |  |
| Gain over all Tilts                                     | dBi | 15.2 ± 0.5                         | 15.6 ± 0.3 | 15.8 ± 0.4 | 16.1 ± 0.3 |  |
| <b>Horizontal Pattern:</b>                              |     |                                    |            |            |            |  |
| Azimuth Beamwidth                                       | °   | 69 ± 2.3                           | 68 ± 2.1   | 67 ± 2.0   | 67 ± 1.4   |  |
| Front-to-Back Ratio, Total Power, ± 30°                 | dB  | > 23                               | > 25       | > 26       | > 26       |  |
| Cross Polar Discrimination at Boresight                 | dB  | > 23                               | > 22       | > 23       | > 22       |  |
| Cross Polar Discrimination over Sector                  | dB  | > 8.0                              | > 8.0      | > 9.0      | > 8.0      |  |
| Azimuth Beam Port-to-Port Tracking                      | dB  | < 2.0                              | < 2.0      | < 2.0      | < 2.0      |  |
| <b>Vertical Pattern:</b>                                |     |                                    |            |            |            |  |
| Elevation Beamwidth                                     | °   | 10.8 ± 1.1                         | 9.8 ± 0.4  | 9.5 ± 0.6  | 8.9 ± 0.4  |  |
| Electrical Downtilt continuously adjustable             | °   | 2.0 – 12.0                         |            |            |            |  |
| Tilt Accuracy   | °   | < 0.5                              | < 0.5      | < 0.4      | < 0.5      |  |
| First Upper Side Lobe Suppression                       | dB  | > 14                               | > 16       | > 16       | > 15       |  |
| Upper Side Lobe Suppression, 20° Sector above Main Beam | dB  | > 15                               | > 16       | > 17       | > 16       |  |
| Cross Polar Isolation                                   | dB  | > 30                               |            |            |            |  |
| Port to Port Isolation                                  | dB  | > 30 (R1 // Y1,Y2)                 |            |            |            |  |
| Max. Effective Power per Port                           | W   | 400 (at 50 °C ambient temperature) |            |            |            |  |

Values based on NGMN-P-BASTA (version 9.6) requirements.

| Left side, midband                                      |     | Y1, connector 3–4                  |             |             |             |             |
|---|-----|------------------------------------|-------------|-------------|-------------|-------------|
| Frequency Range   | MHz | 1695 – 1880                        | 1850 – 1990 | 1920 – 2180 | 2300 – 2400 | 2500 – 2690 |
| Gain at mid Tilt  | dBi | 17.3                               | 17.7        | 17.9        | 17.6        | 18.1        |
| Gain over all Tilts                                     | dBi | 17.2 ± 0.5                         | 17.6 ± 0.3  | 17.7 ± 0.3  | 17.5 ± 0.5  | 17.9 ± 0.6  |
| <b>Horizontal Pattern:</b>                              |     |                                    |             |             |             |             |
| Azimuth Beamwidth                                       | °   | 65 ± 4.2                           | 62 ± 2.6    | 61 ± 2.4    | 63 ± 6.1    | 66 ± 6.8    |
| Front-to-Back Ratio, Total Power, ± 30°                 | dB  | > 26                               | > 27        | > 26        | > 23        | > 23        |
| Cross Polar Discrimination at Boresight                 | dB  | > 16                               | > 20        | > 24        | > 18        | > 15        |
| Cross Polar Discrimination over Sector                  | dB  | > 7.5                              | > 8.5       | > 10.5      | > 8.5       | > 9.0       |
| Azimuth Beam Port-to-Port Tracking                      | dB  | < 2.5                              | < 2.5       | < 2.0       | < 2.5       | < 2.0       |
| <b>Vertical Pattern:</b>                                |     |                                    |             |             |             |             |
| Elevation Beamwidth                                     | °   | 6.3 ± 0.4                          | 5.9 ± 0.3   | 5.6 ± 0.4   | 4.9 ± 0.2   | 4.4 ± 0.3   |
| Electrical Downtilt continuously adjustable             | °   | 2.5 – 12.0                         |             |             |             |             |
| Tilt Accuracy   | °   | < 0.2                              | < 0.2       | < 0.2       | < 0.1       | < 0.1       |
| First Upper Side Lobe Suppression                       | dB  | > 19                               | > 17        | > 17        | > 16        | > 16        |
| Upper Side Lobe Suppression, 20° Sector above Main Beam | dB  | > 14                               | > 14        | > 13        | > 13        | > 14        |
| Cross Polar Isolation                                   | dB  | > 28                               |             |             |             |             |
| Port to Port Isolation                                  | dB  | > 30 (Y1 // R1, Y2)                |             |             |             |             |
| Max. Effective Power per Port                           | W   | 200 (at 50 °C ambient temperature) |             |             |             |             |

Values based on NGMN-P-BASTA (version 9.6) requirements.

| Right side, midband                                     |     | Y2, connector 5–6                  |             |             |             |             |
|---|-----|------------------------------------|-------------|-------------|-------------|-------------|
| Frequency Range   | MHz | 1695 – 1880                        | 1850 – 1990 | 1920 – 2180 | 2300 – 2400 | 2500 – 2690 |
| Gain at mid Tilt  | dBi | 17.3                               | 17.5        | 17.8        | 18.2        | 18.1        |
| Gain over all Tilts                                     | dBi | 17.3 ± 0.3                         | 17.5 ± 0.3  | 17.8 ± 0.4  | 18.1 ± 0.3  | 17.9 ± 0.6  |
| <b>Horizontal Pattern:</b>                              |     |                                    |             |             |             |             |
| Azimuth Beamwidth                                       | °   | 65 ± 2.9                           | 66 ± 2.8    | 66 ± 2.6    | 65 ± 1.8    | 68 ± 4.8    |
| Front-to-Back Ratio, Total Power, ± 30°                 | dB  | > 22                               | > 24        | > 24        | > 25        | > 26        |
| Cross Polar Discrimination at Boresight                 | dB  | > 15                               | > 19        | > 18        | > 17        | > 19        |
| Cross Polar Discrimination over Sector                  | dB  | > 10.5                             | > 15.0      | > 14.5      | > 10.0      | > 10.0      |
| Azimuth Beam Port-to-Port Tracking                      | dB  | < 1.0                              | < 1.0       | < 1.0       | < 0.5       | < 2.5       |
| <b>Vertical Pattern:</b>                                |     |                                    |             |             |             |             |
| Elevation Beamwidth                                     | °   | 7.1 ± 0.4                          | 6.7 ± 0.3   | 6.3 ± 0.5   | 5.6 ± 0.3   | 5.0 ± 0.3   |
| Electrical Downtilt continuously adjustable             | °   | 2.5 – 12.0                         |             |             |             |             |
| Tilt Accuracy   | °   | < 0.3                              | < 0.3       | < 0.3       | < 0.3       | < 0.3       |
| First Upper Side Lobe Suppression                       | dB  | > 19                               | > 25        | > 25        | > 19        | > 21        |
| Upper Side Lobe Suppression, 20° Sector above Main Beam | dB  | > 13                               | > 15        | > 17        | > 17        | > 15        |
| Cross Polar Isolation                                   | dB  | > 28                               |             |             |             |             |
| Port to Port Isolation                                  | dB  | > 30 (Y2 // R1, Y1)                |             |             |             |             |
| Max. Effective Power per Port                           | W   | 200 (at 50 °C ambient temperature) |             |             |             |             |

Values based on NGMN-P-BASTA (version 9.6) requirements.

## Electrical specifications, all systems

|                                      |          |                                    |
|--------------------------------------|----------|------------------------------------|
| Impedance                            | $\Omega$ | 50                                 |
| VSWR                                 |          | < 1.5                              |
| Return Loss                          | dB       | > 14                               |
| Interband Isolation                  | dB       | > 30                               |
| Passive Intermodulation              | dBc      | < -150 (2 x 43 dBm carrier)        |
| Polarization                         | °        | +45, -45                           |
| Max. Effective Power for the Antenna | W        | 900 (at 50 °C ambient temperature) |

Values based on NGMN-P-BASTA (version 9.6) requirements.

## Mechanical specifications

|   |  |  |
|---|--|--|
| Input                                     | 6x 7-16 female   |  |
| Connector Position                        | bottom   |  |
| Adjustment Mechanism                      | FlexRET, continuously adjustable   |  |
| Wind load (at Rated Wind Speed: 150 km/h) | N   lbf  | Frontal: 630   142<br>Maximal: 730   164                 |
| Max. Wind Velocity                        | km/h<br>mph  | 241<br>150   |
| Height / Width / Depth                    | mm<br>inches   | 1921 / 377 / 169<br>75.6 / 14.8 / 6.7                    |
| Category of Mounting Hardware             | H (Heavy)  |  |
| Weight                                    | kg<br>lb   | 27.1 / 29.3 (clamps incl.)<br>59.7 / 64.6 (clamps incl.) |
| Packing Size                              | mm<br>inches   | 2121 / 397 / 212<br>83.5 / 15.6 / 8.3                    |
| Scope of Supply                           | Panel, FlexRET and 2 units of clamps for 42–115 mm   1.7–4.5 inches diameter |  |

## Accessories (order separately if required)

| Product No.   | Description          | Remarks<br>mm   inches  | Units per antenna |
|---------------|----------------------|---|-------------------|
| 85010002      | 1 clamp              | Mast diameter: 110–220   4.3–8.7                                  | 2                 |
| 85010003      | 1 clamp              | Mast diameter: 210–380   8.3–15.0                                 | 2                 |
| 85010009      | 1 downtilt kit       | Downtilt angle: 0°–11°  | 1                 |
| 86010154      | Site Sharing Adapter | 3-way (see figure below)  |                   |
| 86010155      | Site Sharing Adapter | 6-way (see figure below)  |                   |
| 86010162      | Gender Adapter       | Solely to be used in combination with a compatible FlexRET module | 1                 |
| KRY 121 108/1 | Port Extender        |   | 1                 |

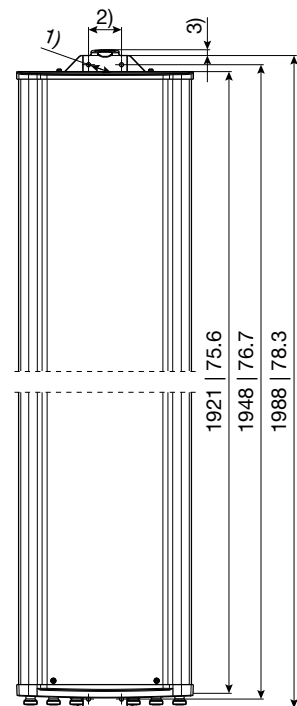
## Accessories (included in the scope of supply)

| Product No. | Description | Remarks<br>mm   inches          | Units per antenna |
|-------------|-------------|---------------------------------|-------------------|
| 738546      | 1 clamp     | Mast diameter: 42–115   1.7–4.5 | 2                 |
| 86010153V01 | FlexRET     | Compliant to 3GPP / AISG 2.0    | 1                 |

For downtilt mounting use the clamps for an appropriate mast diameter together with the downtilt kit. Wall mounting: No additional mounting kit needed.

**Material:** **Reflector screen:** Aluminum.  
**Fiberglass housing:** It covers totally the internal antenna components. The special design reduces the sealing areas to a minimum and guarantees the best weather protection. Fiberglass material guarantees optimum performance with regards to stability, stiffness, UV resistance and painting. The color of the radome is light grey.  
**All nuts and bolts:** Stainless steel or hot-dip galvanized steel.

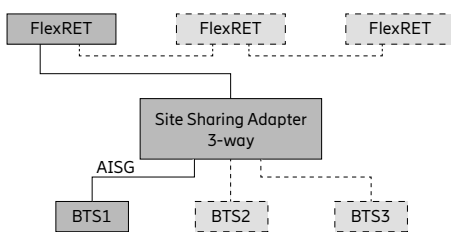
**Grounding:** The metal parts of the antenna including the mounting kit and the inner conductors are DC grounded.



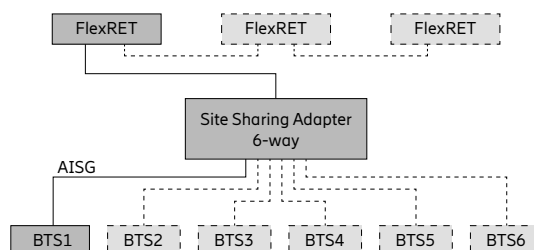
1)  $\varnothing$  9 | 0.4  
2) 72 | 2.8  
3) 13 | 0.5

All dimensions in mm | inches

## Configuration example with Site Sharing Adapter 86010154

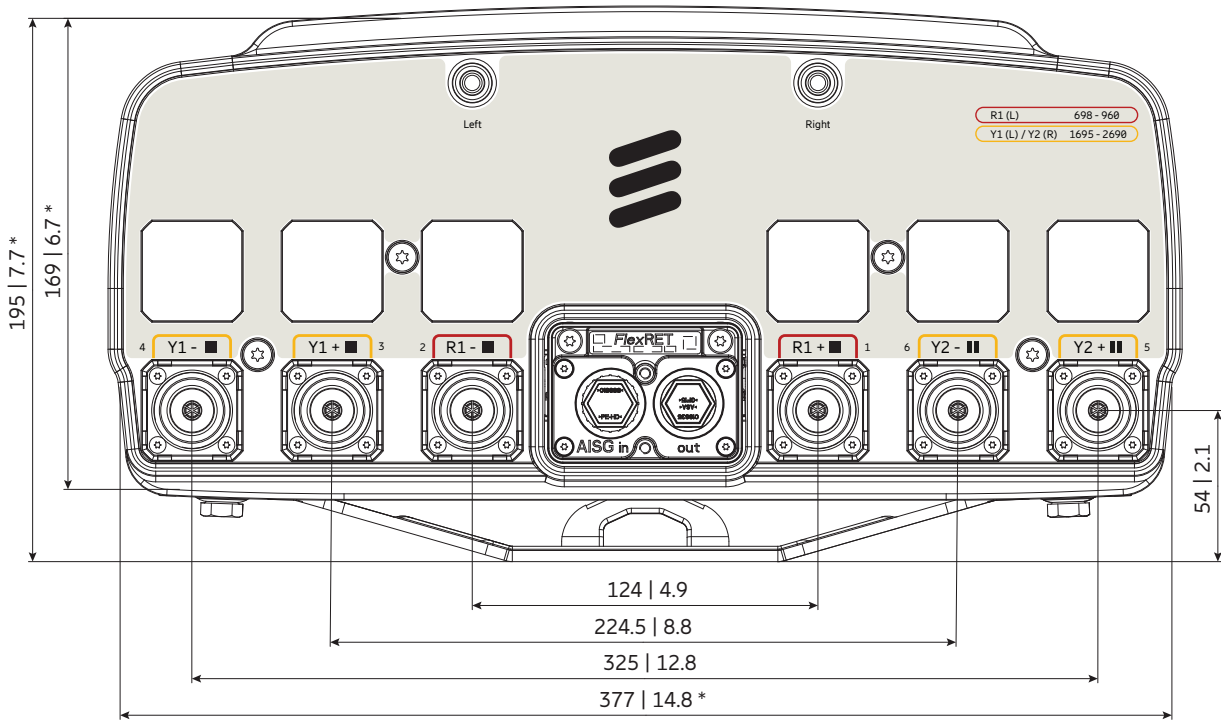


## Configuration example with Site Sharing Adapter 86010155



For more information please refer to the respective data sheets.

### Layout of interface



Bottom view  
 \* Dimensions refer to radome  
 All dimensions in mm | inches

### Correlation Table

| Frequency range | Array | Connector / Ports |
|-----------------|-------|-------------------|
| 698–960 MHz     | R1    | 1–2               |
| 1695–2690 MHz   | Y1    | 3–4               |
| 1695–2690 MHz   | Y2    | 5–6               |





Preliminary Issue



1LB nMB

# Antenna 3402 1L 2M 1.9m

KRE 101 2560/1

Capacity

Compact

Coverage

65° | 1x 698–960 MHz | 15.0 dBi  
65° | 2x 1695–2690 MHz | 17.5 dBi  
Electrical downtilt set by integrated RET



[ericsson.com/antenna-system](https://ericsson.com/antenna-system)



Scan or [click](#)

| Center, lowband                             |     | R1, connector 1–2                  |            |            |            |
|---|-----|------------------------------------|------------|------------|------------|
| Frequency Range                             | MHz | 698 – 806                          | 790 – 862  | 824 – 894  | 880 – 960  |
| Gain at mid Tilt                            | dBi | 14.4                               | 14.9       | 14.9       | 15.2       |
| Gain over all Tilts                         | dBi | 14.4 ± 0.4                         | 14.8 ± 0.3 | 15.0 ± 0.3 | 15.1 ± 0.4 |
| <b>Horizontal Pattern:</b>                  |     |                                    |            |            |            |
| Azimuth Beamwidth                           | °   | 72 ± 2.3                           | 70 ± 2.1   | 68 ± 1.7   | 67 ± 1.6   |
| Front-to-Back Ratio, Total Power, ± 30°     | dB  | > 26                               | > 27       | > 27       | > 27       |
| <b>Vertical Pattern:</b>                    |     |                                    |            |            |            |
| Elevation Beamwidth                         | °   | 12.1 ± 0.9                         | 11.0 ± 0.7 | 10.6 ± 0.5 | 10.0 ± 0.5 |
| Electrical Downtilt continuously adjustable | °   | 2.0 – 12.0                         |            |            |            |
| Tilt Accuracy                               | °   | < 0.7                              | < 0.5      | < 0.6      | < 1.0      |
| First Upper Side Lobe Suppression           | dB  | > 17                               | > 16       | > 16       | > 18       |
| Cross Polar Isolation                       | dB  | > 28                               |            |            |            |
| Port to Port Isolation                      | dB  | 30 (R1 // Y1, Y2)                  |            |            |            |
| Max. Effective Power per Port               | W   | 175 (at 40 °C ambient temperature) |            |            |            |
| Max. Effective Power Ports R1               | W   | 300 (at 40 °C ambient temperature) |            |            |            |

Values based on NGMN-P-BASTA (version 10.0) requirements.

| Left side, midband                          |     | Y1, connector 3–4                  |             |             |             |             |
|---|-----|------------------------------------|-------------|-------------|-------------|-------------|
| Frequency Range                             | MHz | 1695 – 1880                        | 1850 – 1990 | 1920 – 2180 | 2300 – 2400 | 2500 – 2690 |
| Gain at mid Tilt                            | dBi | 16.8                               | 17.1        | 17.4        | 17.2        | 17.7        |
| Gain over all Tilts                         | dBi | 16.7 ± 0.6                         | 17.1 ± 0.5  | 17.3 ± 0.6  | 17.2 ± 0.7  | 17.6 ± 0.7  |
| <b>Horizontal Pattern:</b>                  |     |                                    |             |             |             |             |
| Azimuth Beamwidth                           | °   | 63 ± 4.3                           | 63 ± 3.2    | 61 ± 3.3    | 65 ± 3.2    | 63 ± 2.3    |
| Front-to-Back Ratio, Total Power, ± 30°     | dB  | > 26                               | > 24        | > 23        | > 28        | > 25        |
| <b>Vertical Pattern:</b>                    |     |                                    |             |             |             |             |
| Elevation Beamwidth                         | °   | 7.5 ± 0.4                          | 7.0 ± 0.3   | 6.7 ± 0.5   | 5.8 ± 0.4   | 5.3 ± 0.3   |
| Electrical Downtilt continuously adjustable | °   | 2.0 – 12.0                         |             |             |             |             |
| Tilt Accuracy                               | °   | < 1.2                              | < 1.2       | < 1.1       | < 0.9       | < 0.9       |
| First Upper Side Lobe Suppression           | dB  | > 17                               | > 17        | > 17        | > 16        | > 16        |
| Cross Polar Isolation                       | dB  | > 28                               |             |             |             |             |
| Port to Port Isolation                      | dB  | 28 (Y1 // R1)<br>30 (Y1 // Y2)     |             |             |             |             |
| Max. Effective Power per Port               | W   | 175 (at 40 °C ambient temperature) |             |             |             |             |
| Max. Effective Power Ports Y1               | W   | 300 (at 40 °C ambient temperature) |             |             |             |             |

Values based on NGMN-P-BASTA (version 10.0) requirements.

| Right side, midband                         |     | Y2, connector 5–6                  |             |             |             |             |
|---|-----|------------------------------------|-------------|-------------|-------------|-------------|
| Frequency Range                             | MHz | 1695 – 1880                        | 1850 – 1990 | 1920 – 2180 | 2300 – 2400 | 2500 – 2690 |
| Gain at mid Tilt                            | dBi | 17.0                               | 17.3        | 17.4        | 17.4        | 17.8        |
| Gain over all Tilts                         | dBi | 17.0 ± 0.8                         | 17.3 ± 0.5  | 17.3 ± 0.6  | 17.4 ± 0.9  | 17.7 ± 0.7  |
| <b>Horizontal Pattern:</b>                  |     |                                    |             |             |             |             |
| Azimuth Beamwidth                           | °   | 62 ± 4.7                           | 62 ± 3.6    | 61 ± 3.4    | 66 ± 3.3    | 63 ± 2.6    |
| Front-to-Back Ratio, Total Power, ± 30°     | dB  | > 25                               | > 24        | > 24        | > 27        | > 25        |
| <b>Vertical Pattern:</b>                    |     |                                    |             |             |             |             |
| Elevation Beamwidth                         | °   | 6.2 ± 0.5                          | 5.7 ± 0.3   | 5.3 ± 0.4   | 4.6 ± 0.3   | 4.2 ± 0.2   |
| Electrical Downtilt continuously adjustable | °   | 2.0 – 12.0                         |             |             |             |             |
| Tilt Accuracy                               | °   | < 1.1                              | < 1.1       | < 0.9       | < 0.8       | < 0.9       |
| First Upper Side Lobe Suppression           | dB  | > 19                               | > 21        | > 20        | > 18        | > 18        |
| Cross Polar Isolation                       | dB  | > 28                               |             |             |             |             |
| Port to Port Isolation                      | dB  | 28 (Y2 // R1, Y1)                  |             |             |             |             |
| Max. Effective Power per Port               | W   | 175 (at 40 °C ambient temperature) |             |             |             |             |
| Max. Effective Power Ports Y2               | W   | 300 (at 40 °C ambient temperature) |             |             |             |             |

Values based on NGMN-P-BASTA (version 10.0) requirements.

## Electrical specifications, all ports

|                                      |            |                                    |
|--------------------------------------|------------|------------------------------------|
| Impedance                            | $\Omega$   | 50                                 |
| VSWR                                 |            | < 1.5                              |
| Return Loss                          | dB         | > 14                               |
| Interband Isolation                  | dB         | > 28                               |
| Passive Intermodulation              | dBc        | < -153 (2 x 43 dBm carrier)        |
| Polarization                         | $^{\circ}$ | -45, +45                           |
| Max. Effective Power for the Antenna | W          | 700 (at 40 °C ambient temperature) |

Values based on NGMN-P-BASTA (version 10.0) requirements.

## Mechanical specifications

|   |   |  |
|---|---|--|
| Input                                     | 6x 4.3-10 female  |  |
| Connector Position                        | bottom  |  |
| Adjustment Mechanism                      | Integrated RET, continuously adjustable   |  |
| Wind load (at Rated Wind Speed: 150 km/h) | N   lbf   | Frontal: 815   183<br>Maximal: 815   183                 |
| Max. Wind Velocity                        | km/h<br>mph   | 241<br>150   |
| Height / Width / Depth                    | mm<br>inches  | 1885 / 353 / 164<br>74.2 / 13.9 / 6.5                    |
| Category of Mounting Hardware             | H (Heavy)   |  |
| Weight                                    | kg<br>lb  | 24.9 / 27.8 (clamps incl.)<br>54.9 / 61.3 (clamps incl.) |
| Packing Size                              | mm<br>inches  | 2100 / 377 / 210<br>82.7 / 14.8 / 8.3                    |
| Scope of Supply                           | Panel, integrated RET and 2 units of clamps for 55–115 mm   2.2–4.5 inches diameter |  |

## Accessories (order separately if required)

| Product No. | Description    | Remarks<br>mm   inches                | Units per antenna |
|-------------|----------------|---------------------------------------|-------------------|
| 85010002    | 1 clamp        | Mast diameter: 110 – 220   4.3 – 8.7  | 2                 |
| 85010003    | 1 clamp        | Mast diameter: 210 – 380   8.3 – 15.0 | 2                 |
| 85010009    | 1 downtilt kit | Downtilt angle: 0°–11°                | 1                 |

For downtilt mounting use the clamps for an appropriate mast diameter together with the downtilt kit.  
Wall mounting: No additional mounting kit needed.

**Material:**

**Reflector screen:** Aluminum.

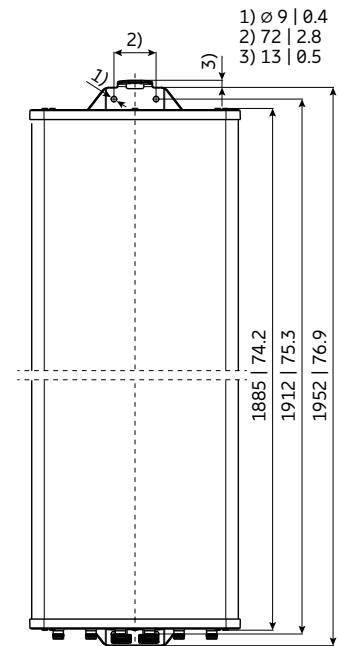
**Fiberglass housing:** It covers totally the internal antenna components.

The special design reduces the sealing areas to a minimum and guarantees the best weather protection. Fiberglass material guarantees optimum performance with regards to stability, stiffness, UV resistance and painting. The color of the radome is light grey.

**All nuts and bolts:** Stainless steel or hot-dip galvanized steel.

**Grounding:**

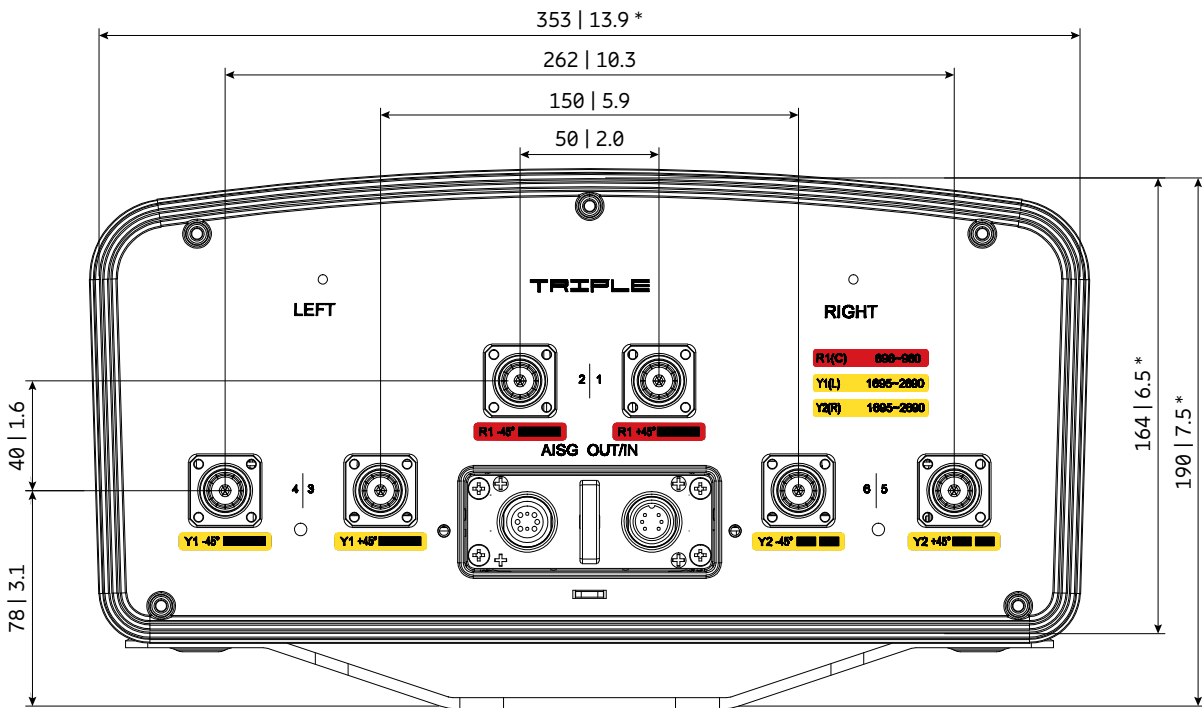
The metal parts of the antenna including the mounting kit and the inner conductors are DC grounded.



All dimensions  
in mm | inches



## Layout of interface

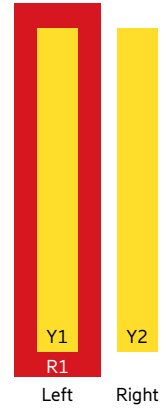


Bottom view  
\* Dimensions refer to radome  
All dimensions in mm | inches

## Correlation Table

| Frequency range | Array | Connector / Ports |
|-----------------|-------|-------------------|
| 698-960 MHz     | R1    | 1-2               |
| 1695-2690 MHz   | Y1    | 3-4               |
| 1695-2690 MHz   | Y2    | 5-6               |





1LB nMB

# Antenna 3400 1L 2M 1.4m

80010864

Capacity

Compact

Coverage

65° | 1x 698–960 MHz | 14.5 dBi  
65° | 2x 1695–2690 MHz | 18.0 dBi  
FlexRET



[ericsson.com/antenna-system](https://ericsson.com/antenna-system)



Scan or [click](#)

| Left side. lowband                                      |     | R1, connector 1–2                  |            |            |            |  |
|---|-----|------------------------------------|------------|------------|------------|--|
| Frequency Range   | MHz | 698 – 806                          | 790 – 862  | 824 – 894  | 880 – 960  |  |
| Gain at mid Tilt  | dBi | 13.5                               | 14.0       | 14.2       | 14.5       |  |
| Gain over all Tilts                                     | dBi | 13.5 ± 0.3                         | 14.0 ± 0.4 | 14.2 ± 0.3 | 14.4 ± 0.3 |  |
| <b>Horizontal Pattern:</b>                              |     |                                    |            |            |            |  |
| Azimuth Beamwidth                                       | °   | 72 ± 3.2                           | 70 ± 2.7   | 68 ± 2.4   | 67 ± 2.2   |  |
| Front-to-Back Ratio, Total Power, ± 30°                 | dB  | > 22                               | > 24       | > 24       | > 25       |  |
| Cross Polar Discrimination at Boresight                 | dB  | > 23                               | > 23       | > 24       | > 22       |  |
| Cross Polar Discrimination over Sector                  | dB  | > 7.0                              | > 7.0      | > 7.0      | > 7.5      |  |
| Azimuth Beam Port-to-Port Tracking                      | dB  | < 2.0                              | < 1.5      | < 2.0      | < 2.5      |  |
| <b>Vertical Pattern:</b>                                |     |                                    |            |            |            |  |
| Elevation Beamwidth                                     | °   | 17.4 ± 1.1                         | 16.2 ± 1.1 | 15.7 ± 0.7 | 14.9 ± 0.8 |  |
| Electrical Downtilt continuously adjustable             | °   | 2.0 – 16.0                         |            |            |            |  |
| Tilt Accuracy   | °   | < 0.6                              | < 0.8      | < 0.6      | < 0.5      |  |
| First Upper Side Lobe Suppression                       | dB  | > 15                               | > 16       | > 16       | > 19       |  |
| Upper Side Lobe Suppression, 20° Sector above Main Beam | dB  | > 22                               | > 20       | > 20       | > 20       |  |
| Cross Polar Isolation                                   | dB  | > 30                               |            |            |            |  |
| Port to Port Isolation                                  | dB  | > 30 (R1 // Y1, Y2)                |            |            |            |  |
| Max. Effective Power per Port                           | W   | 300 (at 50 °C ambient temperature) |            |            |            |  |

Values based on NGMN-P-BASTA (version 9.6) requirements.

| Left side, midband                                      |     | Y1, connector 3–4                  |             |             |             |             |
|---|-----|------------------------------------|-------------|-------------|-------------|-------------|
| Frequency Range   | MHz | 1695 – 1880                        | 1850 – 1990 | 1920 – 2180 | 2300 – 2400 | 2500 – 2690 |
| Gain at mid Tilt  | dBi | 17.3                               | 17.5        | 17.6        | 17.2        | 17.6        |
| Gain over all Tilts                                     | dBi | 17.2 ± 0.6                         | 17.5 ± 0.3  | 17.5 ± 0.3  | 17.1 ± 0.4  | 17.5 ± 0.6  |
| <b>Horizontal Pattern:</b>                              |     |                                    |             |             |             |             |
| Azimuth Beamwidth                                       | °   | 62 ± 3.9                           | 61 ± 3.0    | 62 ± 3.3    | 66 ± 6.8    | 64 ± 5.8    |
| Front-to-Back Ratio, Total Power, ± 30°                 | dB  | > 24                               | > 28        | > 26        | > 24        | > 24        |
| Cross Polar Discrimination at Boresight                 | dB  | > 16                               | > 20        | > 23        | > 18        | > 15        |
| Cross Polar Discrimination over Sector                  | dB  | > 7.0                              | > 9.0       | > 10.5      | > 8.5       | > 9.5       |
| Azimuth Beam Port-to-Port Tracking                      | dB  | < 1.5                              | < 2.5       | < 2.5       | < 2.0       | < 2.0       |
| <b>Vertical Pattern:</b>                                |     |                                    |             |             |             |             |
| Elevation Beamwidth                                     | °   | 6.7 ± 0.4                          | 6.3 ± 0.3   | 6.0 ± 0.5   | 5.3 ± 0.2   | 4.8 ± 0.3   |
| Electrical Downtilt continuously adjustable             | °   | 2.5 – 12.0                         |             |             |             |             |
| Tilt Accuracy   | °   | < 0.3                              | < 0.2       | < 0.2       | < 0.2       | < 0.2       |
| First Upper Side Lobe Suppression                       | dB  | > 17                               | > 17        | > 18        | > 19        | > 15        |
| Upper Side Lobe Suppression, 20° Sector above Main Beam | dB  | > 14                               | > 14        | > 14        | > 14        | > 14        |
| Cross Polar Isolation                                   | dB  | > 28                               |             |             |             |             |
| Port to Port Isolation                                  | dB  | > 30 (Y1 // R1, Y2)                |             |             |             |             |
| Max. Effective Power per Port                           | W   | 200 (at 50 °C ambient temperature) |             |             |             |             |

Values based on NGMN-P-BASTA (version 9.6) requirements.

| Right side, midband                                     |     | Y2, connector 5–6                  |             |             |             |             |
|---|-----|------------------------------------|-------------|-------------|-------------|-------------|
| Frequency Range   | MHz | 1695 – 1880                        | 1850 – 1990 | 1920 – 2180 | 2300 – 2400 | 2500 – 2690 |
| Gain at mid Tilt  | dBi | 17.2                               | 17.5        | 17.8        | 18.2        | 18.3        |
| Gain over all Tilts                                     | dBi | 17.2 ± 0.4                         | 17.4 ± 0.3  | 17.7 ± 0.4  | 18.1 ± 0.3  | 18.1 ± 0.4  |
| <b>Horizontal Pattern:</b>                              |     |                                    |             |             |             |             |
| Azimuth Beamwidth                                       | °   | 65 ± 2.4                           | 63 ± 3.2    | 63 ± 2.9    | 61 ± 2.0    | 61 ± 2.5    |
| Front-to-Back Ratio, Total Power, ± 30°                 | dB  | > 24                               | > 23        | > 23        | > 24        | > 25        |
| Cross Polar Discrimination at Boresight                 | dB  | > 22                               | > 24        | > 24        | > 20        | > 18        |
| Cross Polar Discrimination over Sector                  | dB  | > 15.5                             | > 15.0      | > 13.0      | > 7.5       | > 9.5       |
| Azimuth Beam Port-to-Port Tracking                      | dB  | < 1.0                              | < 1.0       | < 1.0       | < 1.5       | < 2.0       |
| <b>Vertical Pattern:</b>                                |     |                                    |             |             |             |             |
| Elevation Beamwidth                                     | °   | 7.1 ± 0.4                          | 6.7 ± 0.4   | 6.4 ± 0.4   | 5.5 ± 0.3   | 5.0 ± 0.3   |
| Electrical Downtilt continuously adjustable             | °   | 2.5 – 12.0                         |             |             |             |             |
| Tilt Accuracy   | °   | < 0.2                              | < 0.2       | < 0.2       | < 0.3       | < 0.2       |
| First Upper Side Lobe Suppression                       | dB  | > 21                               | > 21        | > 22        | > 18        | > 19        |
| Upper Side Lobe Suppression, 20° Sector above Main Beam | dB  | > 14                               | > 15        | > 15        | > 15        | > 16        |
| Cross Polar Isolation                                   | dB  | > 28                               |             |             |             |             |
| Port to Port Isolation                                  | dB  | > 30 (Y2 // R1, Y1)                |             |             |             |             |
| Max. Effective Power per Port                           | W   | 200 (at 50 °C ambient temperature) |             |             |             |             |

Values based on NGMN-P-BASTA (version 9.6) requirements.

## Electrical specifications, all systems

|                                      |            |                                    |
|--------------------------------------|------------|------------------------------------|
| Impedance                            | $\Omega$   | 50                                 |
| VSWR                                 |            | < 1.5                              |
| Return Loss                          | dB         | > 14                               |
| Interband Isolation                  | dB         | > 30                               |
| Passive Intermodulation              | dBc        | < -150 (2 x 43 dBm carrier)        |
| Polarization                         | $^{\circ}$ | +45, -45                           |
| Max. Effective Power for the Antenna | W          | 900 (at 50 °C ambient temperature) |

Values based on NGMN-P-BASTA (version 9.6) requirements.

## Mechanical specifications

|   |  |  |
|---|--|--|
| Input                                     | 6x 7-16 female   |  |
| Connector Position                        | bottom   |  |
| Adjustment Mechanism                      | FlexRET, continuously adjustable   |  |
| Wind load (at Rated Wind Speed: 150 km/h) | N   lbf  | Frontal: 450   101<br>Maximal: 520   117                 |
| Max. Wind Velocity                        | km/h<br>mph  | 241<br>150   |
| Height / Width / Depth                    | mm<br>inches   | 1402 / 377 / 169<br>55.2 / 14.8 / 6.7                    |
| Category of Mounting Hardware             | H (Heavy)  |  |
| Weight                                    | kg<br>lb   | 25.0 / 27.2 (clamps incl.)<br>55.1 / 59.9 (clamps incl.) |
| Packing Size                              | mm<br>inches   | 1602 / 397 / 212<br>63.1 / 15.6 / 8.3                    |
| Scope of Supply                           | Panel, FlexRET and 2 units of clamps for 42–115 mm   1.7–4.5 inches diameter |  |

## Accessories (order separately if required)

| Product No.   | Description          | Remarks<br>mm   inches  | Units per antenna |
|---------------|----------------------|---|-------------------|
| 85010002      | 1 clamp              | Mast diameter: 110–220   4.3–8.7                                  | 2                 |
| 85010003      | 1 clamp              | Mast diameter: 210–380   8.3–15.0                                 | 2                 |
| 85010009      | 1 downtilt kit       | Downtilt angle: 0°–15°  | 1                 |
| 86010154      | Site Sharing Adapter | 3-way (see figure below)  |                   |
| 86010155      | Site Sharing Adapter | 6-way (see figure below)  |                   |
| 86010162      | Gender Adapter       | Solely to be used in combination with a compatible FlexRET module | 1                 |
| KRY 121 108/1 | Port Extender        |   | 1                 |

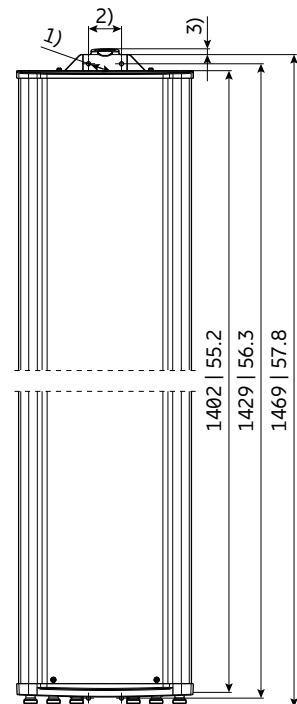
## Accessories (included in the scope of supply)

| Product No. | Description | Remarks<br>mm   inches          | Units per antenna |
|-------------|-------------|---------------------------------|-------------------|
| 738546      | 1 clamp     | Mast diameter: 42–115   1.7–4.5 | 2                 |
| 86010153V01 | FlexRET     | Compliant to 3GPP / AISG 2.0    | 1                 |

For downtilt mounting use the clamps for an appropriate mast diameter together with the downtilt kit. Wall mounting: No additional mounting kit needed.

**Material:** **Reflector screen:** Aluminum.  
**Fiberglass housing:** It covers totally the internal antenna components. The special design reduces the sealing areas to a minimum and guarantees the best weather protection. Fiberglass material guarantees optimum performance with regards to stability, stiffness, UV resistance and painting. The color of the radome is light grey.  
**All nuts and bolts:** Stainless steel or hot-dip galvanized steel.

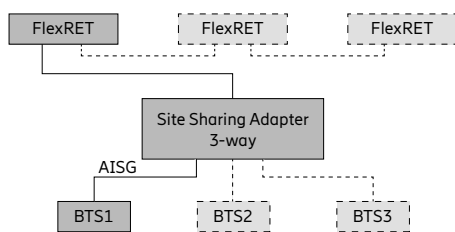
**Grounding:** The metal parts of the antenna including the mounting kit and the inner conductors are DC grounded.



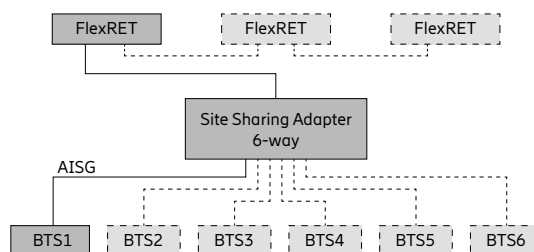
- 1)  $\varnothing$  9 | 0.4  
2) 72 | 2.8  
3) 13 | 0.5

All dimensions in mm | inches

## Configuration example with Site Sharing Adapter 86010154

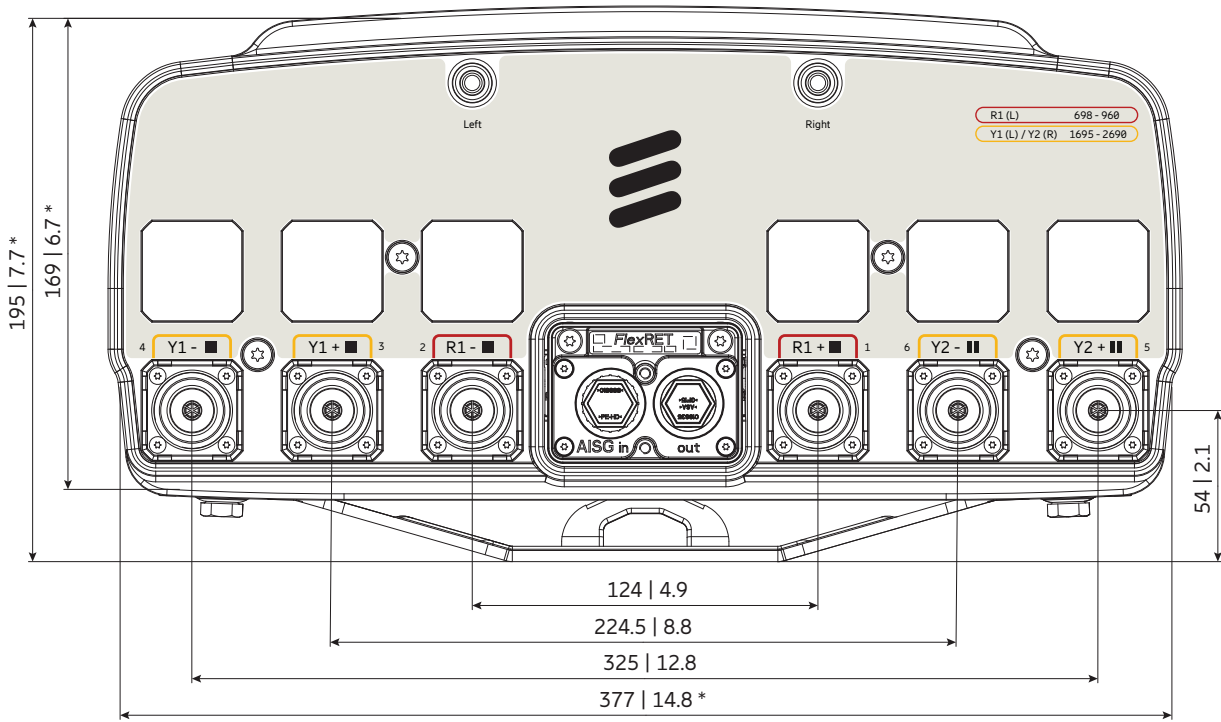


## Configuration example with Site Sharing Adapter 86010155



For more information please refer to the respective data sheets.

## Layout of interface



Bottom view  
 \* Dimensions refer to radome  
 All dimensions in mm | inches

## Correlation Table

| Frequency range | Array | Connector / Ports |
|-----------------|-------|-------------------|
| 698–960 MHz     | R1    | 1–2               |
| 1695–2690 MHz   | Y1    | 3–4               |
| 1695–2690 MHz   | Y2    | 5–6               |





Preliminary Issue



1LB nMB

# Antenna 3402 1L 2M 1.4m

KRE 101 2559/1

Capacity

Compact

Coverage

65° | 1x 698–960 MHz | 13.5 dBi  
65° | 2x 1695–2690 MHz | 17.5 dBi  
Electrical downtilt set by integrated RET



[ericsson.com/antenna-system](https://ericsson.com/antenna-system)



Scan or [click](#)

| Center, lowband                             |     | R1, connector 1–2                  |            |            |            |
|---|-----|------------------------------------|------------|------------|------------|
| Frequency Range                             | MHz | 698 – 806                          | 791 – 862  | 824 – 894  | 880 – 960  |
| Gain at mid Tilt                            | dBi | 13.3                               | 13.7       | 13.9       | 13.9       |
| Gain over all Tilts                         | dBi | 13.2 ± 0.4                         | 13.7 ± 0.3 | 13.8 ± 0.2 | 13.8 ± 0.3 |
| <b>Horizontal Pattern:</b>                  |     |                                    |            |            |            |
| Azimuth Beamwidth                           | °   | 72 ± 1.9                           | 70 ± 1.8   | 69 ± 2.5   | 68 ± 1.4   |
| Front-to-Back Ratio, Total Power, ± 30°     | dB  | > 25                               | > 26       | > 26       | > 25       |
| Cross Polar Discrimination over Sector      | dB  | 19                                 | 19         | 18         | 16         |
| Cross Polar Discrimination over Sector      | dB  | 13.1                               | 11.4       | 10.9       | 8.4        |
| Cross Polar Ratio Main Direction: 0°        | dB  | 3.0                                | 2.0        | 2.0        | 1.5        |
| <b>Vertical Pattern:</b>                    |     |                                    |            |            |            |
| Elevation Beamwidth                         | °   | 18.2 ± 1.7                         | 16.2 ± 1.1 | 15.6 ± 0.8 | 14.5 ± 1.0 |
| Electrical Downtilt continuously adjustable | °   | 2.0 – 16.0                         |            |            |            |
| Tilt Accuracy                               | °   | < 0.9                              | < 0.7      | < 0.7      | < 0.8      |
| First Upper Side Lobe Suppression           | dB  | > 16                               | > 18       | > 19       | > 18       |
| Cross Polar Isolation                       | dB  | > 28                               |            |            |            |
| Port to Port Isolation                      | dB  | > 28 (R1 // Y1, Y2)                |            |            |            |
| Max. Effective Power per Port               | W   | 200 (at 40 °C ambient temperature) |            |            |            |
| Max. Effective Power Ports R1               | W   | 300 (at 40 °C ambient temperature) |            |            |            |

Values based on NGMN-P-BASTA (version 10.0) requirements.

| Left side, midband                          |     | Y1, connector 3–4                  |             |             |             |             |             |
|---|-----|------------------------------------|-------------|-------------|-------------|-------------|-------------|
| Frequency Range                             | MHz | 1695 – 1880                        | 1850 – 1990 | 1920 – 2170 | 2300 – 2400 | 2305 – 2360 | 2500 – 2690 |
| Gain at mid Tilt                            | dBi | 16.9                               | 17.2        | 17.5        | 17.3        | 17.2        | 17.8        |
| Gain over all Tilts                         | dBi | 16.8 ± 0.6                         | 17.1 ± 0.7  | 17.3 ± 0.9  | 17.3 ± 0.8  | 17.2 ± 0.7  | 17.7 ± 0.8  |
| <b>Horizontal Pattern:</b>                  |     |                                    |             |             |             |             |             |
| Azimuth Beamwidth                           | °   | 63 ± 5.3                           | 61 ± 2.8    | 60 ± 3.2    | 65 ± 3.9    | 65 ± 3.5    | 62 ± 2.8    |
| Front-to-Back Ratio, Total Power, ± 30°     | dB  | > 27                               | > 25        | > 23        | > 27        | > 27        | > 26        |
| Cross Polar Discrimination at Boresight     | dB  | 26                                 | 25          | 19          | 18          | 18          | 20          |
| Cross Polar Discrimination over Sector      | dB  | 8.3                                | 9.1         | 7.8         | 8.4         | 6.9         | 5.5         |
| Azimuth Beam Port-to-Port Tracking          | dB  | 2.0                                | 2.5         | 4.5         | 2.5         | 3.0         | 2.0         |
| <b>Vertical Pattern:</b>                    |     |                                    |             |             |             |             |             |
| Elevation Beamwidth                         | °   | 7.4 ± 0.5                          | 6.9 ± 0.3   | 6.5 ± 0.4   | 5.7 ± 0.3   | 5.7 ± 0.4   | 5.1 ± 0.3   |
| Electrical Downtilt continuously adjustable | °   | 2.0 – 12.0                         |             |             |             |             |             |
| Tilt Accuracy                               | °   | < 0.6                              | < 0.7       | < 0.7       | < 0.8       | < 0.7       | < 0.8       |
| First Upper Side Lobe Suppression           | dB  | > 16                               | > 17        | > 17        | > 16        | > 16        | > 16        |
| Cross Polar Isolation                       | dB  | > 28                               |             |             |             |             |             |
| Port to Port Isolation                      | dB  | > 28 (Y1 // R1)<br>> 28 (Y1 // Y2) |             |             |             |             |             |
| Max. Effective Power per Port               | W   | 175 (at 40 °C ambient temperature) |             |             |             |             |             |
| Max. Effective Power Ports Y1               | W   | 300 (at 40 °C ambient temperature) |             |             |             |             |             |

Values based on NGMN-P-BASTA (version 10.0) requirements.



| Right side, midband                         |     | Y2, connector 5–6                  |             |             |             |             |             |
|---|-----|------------------------------------|-------------|-------------|-------------|-------------|-------------|
| Frequency Range                             | MHz | 1695 – 1880                        | 1850 – 1990 | 1920 – 2170 | 2300 – 2400 | 2305 – 2360 | 2500 – 2690 |
| Gain at mid Tilt                            | dBi | 17.0                               | 17.2        | 17.4        | 17.3        | 17.2        | 17.8        |
| Gain over all Tilts                         | dBi | 16.9 ± 0.6                         | 17.1 ± 0.7  | 17.3 ± 0.8  | 17.3 ± 0.8  | 17.2 ± 0.7  | 17.7 ± 1.0  |
| <b>Horizontal Pattern:</b>                  |     |                                    |             |             |             |             |             |
| Azimuth Beamwidth                           | °   | 62 ± 4.9                           | 61 ± 2.9    | 61 ± 3.7    | 66 ± 2.7    | 66 ± 2.2    | 62 ± 2.9    |
| Front-to-Back Ratio, Total Power, ±30°      | dB  | > 26                               | > 25        | > 24        | > 26        | > 26        | > 26        |
| Cross Polar Discrimination at Boresight     | dB  | 25                                 | 25          | 19          | 19          | 19          | 19          |
| Cross Polar Discrimination over Sector      | dB  | 9.3                                | 9.6         | 6.8         | 7.2         | 5.7         | 6.1         |
| Azimuth Beam Port-to-Port Tracking          | dB  | 2.0                                | 3.0         | 3.5         | 3.0         | 3.0         | 2.0         |
| <b>Vertical Pattern:</b>                    |     |                                    |             |             |             |             |             |
| Elevation Beamwidth                         | °   | 7.4 ± 0.5                          | 6.9 ± 0.4   | 6.5 ± 0.4   | 5.7 ± 0.3   | 5.7 ± 0.4   | 5.2 ± 0.3   |
| Electrical Downtilt continuously adjustable | °   | 2.0 – 12.0                         |             |             |             |             |             |
| Tilt Accuracy                               | °   | < 0.4                              | < 0.4       | < 0.4       | < 0.6       | < 0.5       | < 0.4       |
| First Upper Side Lobe Suppression           | dB  | > 16                               | > 17        | > 18        | > 16        | > 16        | > 16        |
| Cross Polar Isolation                       | dB  | > 28                               |             |             |             |             |             |
| Port to Port Isolation                      | dB  | > 28 (Y2 // R1)<br>> 28 (Y2 // Y1) |             |             |             |             |             |
| Max. Effective Power per Port               | W   | 175 (at 40 °C ambient temperature) |             |             |             |             |             |
| Max. Effective Power Ports Y2               | W   | 300 (at 40 °C ambient temperature) |             |             |             |             |             |

Values based on NGMN-P-BASTA (version 10.0) requirements.

## Electrical specifications, all ports

|                                      |            |                                    |
|--------------------------------------|------------|------------------------------------|
| Impedance                            | $\Omega$   | 50                                 |
| VSWR                                 |            | < 1.5                              |
| Return Loss                          | dB         | > 14                               |
| Interband Isolation                  | dB         | > 28                               |
| Passive Intermodulation              | dBc        | < -153 (2 x 43 dBm carrier)        |
| Polarization                         | $^{\circ}$ | +45, -45                           |
| Max. Effective Power for the Antenna | W          | 600 (at 40 °C ambient temperature) |

Values based on NGMN-P-BASTA (version 10.0) requirements.

## Mechanical specifications

|   |   |  |
|---|---|--|
| Input                                     | 6 x 4.3-10 female   |  |
| Connector Position                        | bottom  |  |
| Adjustment Mechanism                      | Integrated RET, continuously adjustable   |  |
| Wind load (at Rated Wind Speed: 150 km/h) | N   lbf   | Frontal: 660   148<br>Maximal: 725   163               |
| Max. Wind Velocity                        | km/h<br>mph   | 241<br>150   |
| Height / Width / Depth                    | mm<br>inches  | 1412 / 353 / 164<br>55.6 / 13.9 / 6.5                  |
| Category of Mounting Hardware             | H (Heavy)   |  |
| Weight                                    | kg<br>lb  | 22 / 24.2 (clamps incl.)<br>48.5 / 53.4 (clamps incl.) |
| Packing Size                              | mm<br>inches  | 1625 / 377 / 210<br>63.9 / 14.8 / 8.3                  |
| Scope of Supply                           | Panel, integrated RET and 2 units of clamps for 42–115 mm   1.7–4.5 inches diameter |  |

## Accessories (order separately if required)

| Product No. | Description    | Remarks<br>mm   inches                | Units per antenna |
|-------------|----------------|---------------------------------------|-------------------|
| 85010002    | 1 clamp        | Mast diameter: 110 – 220   4.3 – 8.7  | 2                 |
| 85010003    | 1 clamp        | Mast diameter: 210 – 380   8.3 – 15.0 | 2                 |
| 85010009    | 1 downtilt kit | Downtilt angle: 0°–15°                | 1                 |

For downtilt mounting use the clamps for an appropriate mast diameter together with the downtilt kit.  
Wall mounting: No additional mounting kit needed.

**Material:**

**Reflector screen:** Aluminum.

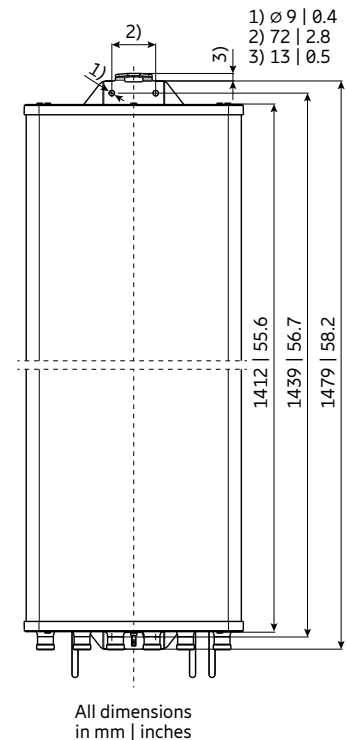
**Fiberglass housing:** It covers totally the internal antenna components.

The special design reduces the sealing areas to a minimum and guarantees the best weather protection. Fiberglass material guarantees optimum performance with regards to stability, stiffness, UV resistance and painting. The color of the radome is light grey.

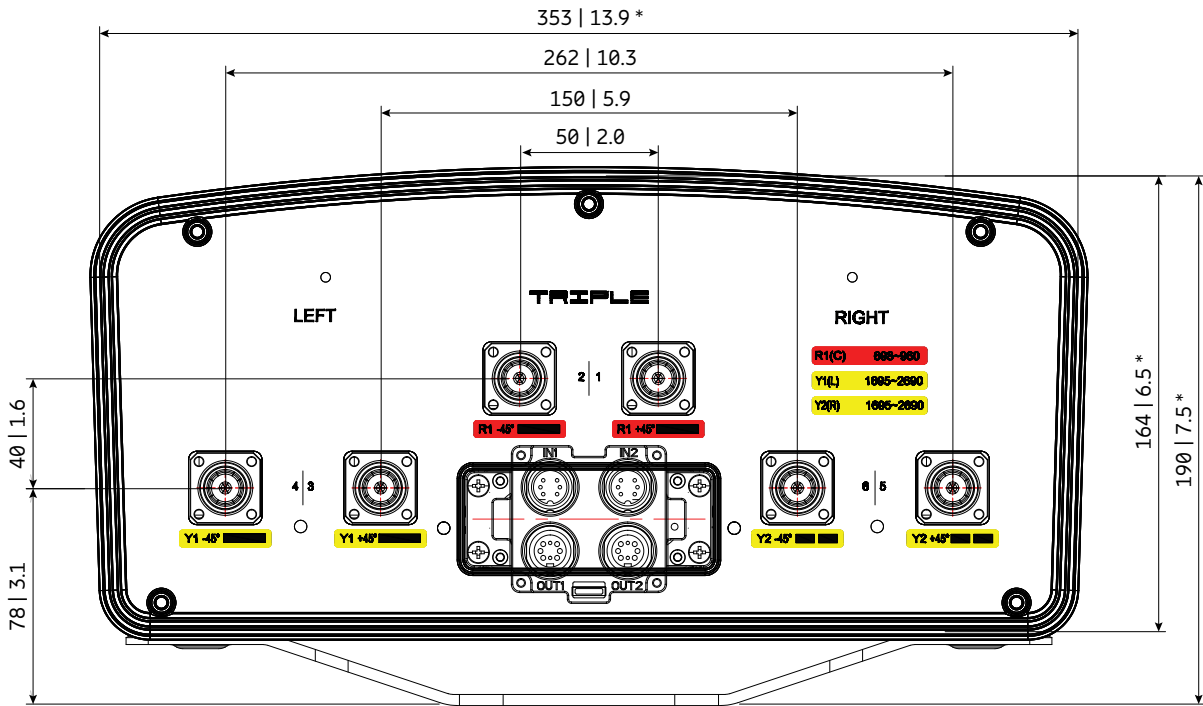
**All nuts and bolts:** Stainless steel or hot-dip galvanized steel.

**Grounding:**

The metal parts of the antenna including the mounting kit and the inner conductors are DC grounded.



## Layout of interface



Bottom view

\* Dimensions refer to radome  
All dimensions in mm | inches

## Correlation Table

| Frequency range | Array | Connector / Ports |
|-----------------|-------|-------------------|
| 698–960 MHz     | R1    | 1–2               |
| 1695–2690 MHz   | Y1    | 3–4               |
| 1695–2690 MHz   | Y2    | 5–6               |





1LB nMB

# Antenna 3402 1L 2M 1.5m

KRE 101 2413/1

Capacity

Compact

Coverage

65° | 1x 698–960 MHz | 14.5 dBi  
65° | 2x 1427–2690 MHz | 17.0 dBi  
Electrical downtilt set by integrated RET



[ericsson.com/antenna-system](https://ericsson.com/antenna-system)



Scan or [click](#)

| Left side, lowband                          |     | R1, connector 1–2                  |            |            |            |
|---|-----|------------------------------------|------------|------------|------------|
| Frequency Range                             | MHz | 698 – 807                          | 791 – 862  | 824 – 894  | 880 – 960  |
| Gain at mid Tilt                            | dBi | 13.8                               | 14.3       | 14.5       | 14.6       |
| Gain over all Tilts                         | dBi | 13.8 ± 0.4                         | 14.2 ± 0.4 | 14.4 ± 0.4 | 14.5 ± 0.4 |
| <b>Horizontal Pattern:</b>                  |     |                                    |            |            |            |
| Azimuth Beamwidth                           | °   | 64 ± 3.1                           | 59 ± 2.9   | 58 ± 2.3   | 60 ± 1.8   |
| Front-to-Back Ratio, Total Power, ± 30°     | dB  | > 24                               | > 25       | > 25       | > 26       |
| <b>Vertical Pattern:</b>                    |     |                                    |            |            |            |
| Elevation Beamwidth                         | °   | 16.9 ± 1.2                         | 15.4 ± 0.9 | 14.8 ± 1.0 | 13.9 ± 0.7 |
| Electrical Downtilt continuously adjustable | °   | 2.0 – 16.0                         |            |            |            |
| Tilt Accuracy                               | °   | < 0.7                              | < 0.8      | < 0.9      | < 1.0      |
| First Upper Side Lobe Suppression           | dB  | > 21                               | > 21       | > 19       | > 17       |
| Cross Polar Isolation                       | dB  | > 26                               |            |            |            |
| Port to Port Isolation                      | dB  | >30 (R1 // Y1, Y2)                 |            |            |            |
| Max. Effective Power per Port               | W   | 300 (at 50 °C ambient temperature) |            |            |            |

Values based on NGMN-P-BASTA (version 10.0) requirements.

| Left side, midband                          |     | Y1, connector 3–4                  |             |             |             |             |             |
|---|-----|------------------------------------|-------------|-------------|-------------|-------------|-------------|
| Frequency Range                             | MHz | 1427 – 1518                        | 1695 – 1880 | 1850 – 1990 | 1920 – 2170 | 2300 – 2400 | 2500 – 2690 |
| Gain at mid Tilt                            | dBi | 16.0                               | 16.8        | 16.8        | 17.0        | 17.4        | 17.5        |
| Gain over all Tilts                         | dBi | 16.0 ± 0.2                         | 16.7 ± 0.6  | 16.7 ± 0.6  | 17.0 ± 0.8  | 17.3 ± 0.6  | 17.5 ± 0.5  |
| <b>Horizontal Pattern:</b>                  |     |                                    |             |             |             |             |             |
| Azimuth Beamwidth                           | °   | 69 ± 2.4                           | 66 ± 3.9    | 65 ± 3.7    | 61 ± 6.1    | 56 ± 4.4    | 54 ± 2.7    |
| Front-to-Back Ratio, Total Power, ± 30°     | dB  | > 28                               | > 29        | > 30        | > 27        | > 26        | > 27        |
| <b>Vertical Pattern:</b>                    |     |                                    |             |             |             |             |             |
| Elevation Beamwidth                         | °   | 8.9 ± 0.4                          | 7.1 ± 0.4   | 6.6 ± 0.4   | 6.2 ± 0.5   | 5.5 ± 0.3   | 5.2 ± 0.3   |
| Electrical Downtilt continuously adjustable | °   | 2.0 – 12.0                         |             |             |             |             |             |
| Tilt Accuracy                               | °   | < 0.5                              | < 0.5       | < 0.6       | < 0.6       | < 0.5       | < 0.7       |
| First Upper Side Lobe Suppression           | dB  | > 17                               | > 18        | > 22        | > 19        | > 21        | > 20        |
| Cross Polar Isolation                       | dB  | > 25                               |             |             |             |             |             |
| Port to Port Isolation                      | dB  | >30 (Y1 // R1, Y2)                 |             |             |             |             |             |
| Max. Effective Power per Port               | W   | 250 (at 50 °C ambient temperature) |             |             |             |             |             |

Values based on NGMN-P-BASTA (version 10.0) requirements.

| Right side, midband                         |     | Y2, connector 5–6                  |             |             |             |             |             |
|---|-----|------------------------------------|-------------|-------------|-------------|-------------|-------------|
| Frequency Range                             | MHz | 1427 – 1518                        | 1695 – 1880 | 1850 – 1990 | 1920 – 2170 | 2300 – 2400 | 2500 – 2690 |
| Gain at mid Tilt                            | dBi | 16.1                               | 16.5        | 16.6        | 16.6        | 17.2        | 17.6        |
| Gain over all Tilts                         | dBi | 16.1 ± 0.5                         | 16.5 ± 0.6  | 16.6 ± 0.7  | 16.6 ± 0.7  | 17.1 ± 0.8  | 17.6 ± 0.9  |
| <b>Horizontal Pattern:</b>                  |     |                                    |             |             |             |             |             |
| Azimuth Beamwidth                           | °   | 65 ± 3.7                           | 67 ± 2.6    | 65 ± 2.5    | 65 ± 2.8    | 60 ± 2.7    | 52 ± 3.5    |
| Front-to-Back Ratio, Total Power, ± 30°     | dB  | > 28                               | > 24        | > 25        | > 27        | > 27        | > 27        |
| <b>Vertical Pattern:</b>                    |     |                                    |             |             |             |             |             |
| Elevation Beamwidth                         | °   | 8.9 ± 0.5                          | 7.2 ± 0.5   | 6.8 ± 0.3   | 6.5 ± 0.4   | 5.8 ± 0.3   | 5.3 ± 0.4   |
| Electrical Downtilt continuously adjustable | °   | 2.0 – 12.0                         |             |             |             |             |             |
| Tilt Accuracy                               | °   | < 0.8                              | < 0.6       | < 0.6       | < 0.6       | < 0.7       | < 0.8       |
| First Upper Side Lobe Suppression           | dB  | > 12                               | > 17        | > 18        | > 20        | > 24        | > 17        |
| Cross Polar Isolation                       | dB  | > 25                               |             |             |             |             |             |
| Port to Port Isolation                      | dB  | >30 (Y2 // R1, Y1)                 |             |             |             |             |             |
| Max. Effective Power per Port               | W   | 250 (at 50 °C ambient temperature) |             |             |             |             |             |

Values based on NGMN-P-BASTA (version 10.0) requirements.

## Electrical specifications, all systems

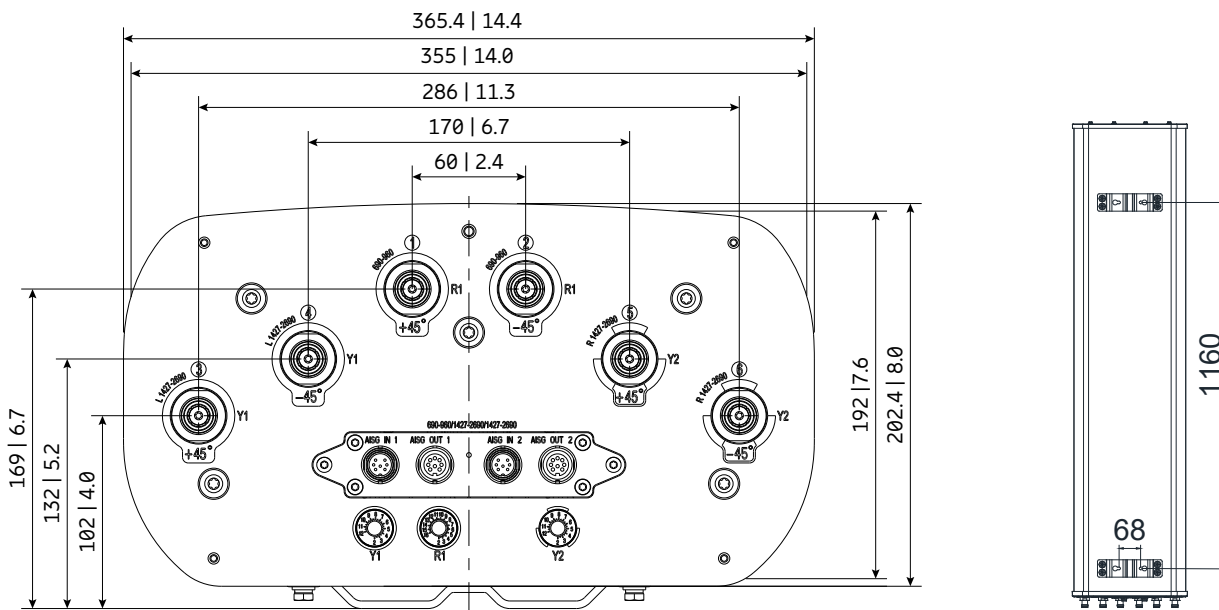
|                                      |            |                                    |
|--------------------------------------|------------|------------------------------------|
| Impedance                            | $\Omega$   | 50                                 |
| VSWR                                 |            | < 1.5                              |
| Return Loss                          | dB         | > 14                               |
| Interband Isolation                  | dB         | > 30                               |
| Passive Intermodulation              | dBc        | < -153 (2 x 43 dBm carrier)        |
| Polarization                         | $^{\circ}$ | -45, +45                           |
| Max. Effective Power for the Antenna | W          | 700 (at 50 °C ambient temperature) |

Values based on NGMN-P-BASTA (version 10.0) requirements.

## Mechanical specifications

|   |   |  |
|---|---|--|
| Input                                     | 6x 4.3-10 female  |  |
| Connector Position                        | bottom  |  |
| Adjustment Mechanism                      | Integrated RET, continuously adjustable   |  |
| Wind load (at Rated Wind Speed: 150 km/h) | N   lbf   | Frontal: 470   106<br>Maximal: 520   117                 |
| Max. Wind Velocity                        | km/h<br>mph   | 200<br>124   |
| Height / Width / Depth                    | mm<br>inches  | 1500 / 355 / 192<br>59.1 / 14.0 / 7.6                    |
| Weight                                    | kg<br>lb  | 23.0 / 28.9 (clamps incl.)<br>50.7 / 63.7 (clamps incl.) |
| Packing Size                              | mm<br>inches  | 1750 / 440 / 310<br>68.9 / 17.3 / 12.2                   |
| Scope of Supply                           | Antenna, mounting kit incl. mech. Tilt-kit 0° to 16° tilt, SXA 120 129/2; integrated RET - KRY 121 78/2 |  |

## Layout of interface



Bottom view  
All dimensions in mm | inches

## Correlation Table

| Frequency range | Array | Connector / Ports |
|-----------------|-------|-------------------|
| 698–960 MHz     | R1    | 1–2               |
| 1427–2690 MHz   | Y1    | 3–4               |
| 1427–2690 MHz   | Y2    | 5–6               |





1LB nMB

# Antenna 3400 1L 2M 2.4m

80010866

Capacity

Compact

Coverage

65° | 1x 698–960 MHz | 17.0 dBi  
65° | 2x 1695–2690 MHz | 18.0 dBi  
FlexRET



[ericsson.com/antenna-system](https://ericsson.com/antenna-system)



Scan or [click](#)



| Left side, lowband                                      |     | R1, connector 1–2                  |            |            |            |  |
|---|-----|------------------------------------|------------|------------|------------|--|
| Frequency Range   | MHz | 698 – 820                          | 790 – 862  | 824 – 894  | 880 – 960  |  |
| Gain at mid Tilt  | dBi | 16.3                               | 16.8       | 17.0       | 17.3       |  |
| Gain over all Tilts                                     | dBi | 16.2 ± 0.5                         | 16.8 ± 0.4 | 17.0 ± 0.3 | 17.3 ± 0.2 |  |
| <b>Horizontal Pattern:</b>                              |     |                                    |            |            |            |  |
| Azimuth Beamwidth                                       | °   | 67 ± 2.4                           | 65 ± 1.4   | 65 ± 0.9   | 64 ± 1.3   |  |
| Front-to-Back Ratio, Total Power, ± 30°                 | dB  | > 21                               | > 24       | > 26       | > 27       |  |
| Cross Polar Discrimination at Boresight                 | dB  | > 24                               | > 25       | > 25       | > 26       |  |
| Cross Polar Discrimination over Sector                  | dB  | > 6.5                              | > 7.0      | > 9.0      | > 10.0     |  |
| Azimuth Beam Port-to-Port Tracking                      | dB  | < 2.0                              | < 2.5      | < 2.0      | < 2.0      |  |
| <b>Vertical Pattern:</b>                                |     |                                    |            |            |            |  |
| Elevation Beamwidth                                     | °   | 8.7 ± 0.7                          | 7.9 ± 0.5  | 7.6 ± 0.4  | 7.2 ± 0.4  |  |
| Electrical Downtilt continuously adjustable             | °   | 1.0 – 10.0                         |            |            |            |  |
| Tilt Accuracy   | °   | < 0.3                              | < 0.4      | < 0.4      | < 0.4      |  |
| First Upper Side Lobe Suppression                       | dB  | > 17                               | > 17       | > 17       | > 18       |  |
| Upper Side Lobe Suppression, 20° Sector above Main Beam | dB  | > 16                               | > 15       | > 15       | > 16       |  |
| Cross Polar Isolation                                   | dB  | > 30                               |            |            |            |  |
| Port to Port Isolation                                  | dB  | > 30 (R1 // Y1,Y2)                 |            |            |            |  |
| Max. Effective Power per Port                           | W   | 400 (at 50 °C ambient temperature) |            |            |            |  |

Values based on NGMN-P-BASTA (version 9.6) requirements.

| Left side, midband                                      |     | Y1, connector 3–4                  |             |             |             |             |
|---|-----|------------------------------------|-------------|-------------|-------------|-------------|
| Frequency Range   | MHz | 1695 – 1880                        | 1850 – 1990 | 1920 – 2180 | 2300 – 2400 | 2490 – 2690 |
| Gain at mid Tilt  | dBi | 17.4                               | 17.9        | 17.9        | 17.3        | 18.1        |
| Gain over all Tilts                                     | dBi | 17.3 ± 0.5                         | 17.8 ± 0.3  | 17.8 ± 0.3  | 17.2 ± 0.2  | 17.9 ± 0.7  |
| <b>Horizontal Pattern:</b>                              |     |                                    |             |             |             |             |
| Azimuth Beamwidth                                       | °   | 65 ± 4.5                           | 62 ± 3.0    | 62 ± 2.6    | 69 ± 4.9    | 63 ± 6.4    |
| Front-to-Back Ratio, Total Power, ± 30°                 | dB  | > 25                               | > 25        | > 25        | > 24        | > 23        |
| Cross Polar Discrimination at Boresight                 | dB  | > 16                               | > 22        | > 24        | > 19        | > 16        |
| Cross Polar Discrimination over Sector                  | dB  | > 8.5                              | > 10.5      | > 11.0      | > 8.5       | > 7.5       |
| Azimuth Beam Port-to-Port Tracking                      | dB  | < 1.5                              | < 2.5       | < 2.0       | < 1.5       | < 2.5       |
| <b>Vertical Pattern:</b>                                |     |                                    |             |             |             |             |
| Elevation Beamwidth                                     | °   | 6.3 ± 0.4                          | 5.9 ± 0.2   | 5.6 ± 0.4   | 4.9 ± 0.1   | 4.5 ± 0.3   |
| Electrical Downtilt continuously adjustable             | °   | 2.5 – 12.0                         |             |             |             |             |
| Tilt Accuracy   | °   | < 0.5                              | < 0.4       | < 0.4       | < 0.3       | < 0.3       |
| First Upper Side Lobe Suppression                       | dB  | > 19                               | > 18        | > 17        | > 16        | > 18        |
| Upper Side Lobe Suppression, 20° Sector above Main Beam | dB  | > 13                               | > 14        | > 13        | > 14        | > 15        |
| Cross Polar Isolation                                   | dB  | > 28                               |             |             |             |             |
| Port to Port Isolation                                  | dB  | > 30 (Y1 // R1, Y2)                |             |             |             |             |
| Max. Effective Power per Port                           | W   | 200 (at 50 °C ambient temperature) |             |             |             |             |

Values based on NGMN-P-BASTA (version 9.6) requirements.

| Right side, midband                                     |     | Y2, connector 5–6                  |             |             |             |             |
|---|-----|------------------------------------|-------------|-------------|-------------|-------------|
| Frequency Range   | MHz | 1695 – 1880                        | 1850 – 1990 | 1920 – 2180 | 2300 – 2400 | 2490 – 2690 |
| Gain at mid Tilt  | dBi | 17.4                               | 17.7        | 18.0        | 18.4        | 18.6        |
| Gain over all Tilts                                     | dBi | 17.4 ± 0.3                         | 17.6 ± 0.3  | 17.9 ± 0.5  | 18.3 ± 0.3  | 18.4 ± 0.5  |
| <b>Horizontal Pattern:</b>                              |     |                                    |             |             |             |             |
| Azimuth Beamwidth                                       | °   | 62 ± 2.3                           | 62 ± 2.0    | 61 ± 1.9    | 60 ± 1.7    | 58 ± 3.6    |
| Front-to-Back Ratio, Total Power, ± 30°                 | dB  | > 24                               | > 25        | > 25        | > 25        | > 23        |
| Cross Polar Discrimination at Boresight                 | dB  | > 22                               | > 23        | > 21        | > 16        | > 16        |
| Cross Polar Discrimination over Sector                  | dB  | > 16.0                             | > 16.0      | > 13.0      | > 8.0       | > 7.5       |
| Azimuth Beam Port-to-Port Tracking                      | dB  | < 1.5                              | < 1.0       | < 1.0       | < 1.5       | < 2.0       |
| <b>Vertical Pattern:</b>                                |     |                                    |             |             |             |             |
| Elevation Beamwidth                                     | °   | 7.1 ± 0.4                          | 6.6 ± 0.3   | 6.3 ± 0.4   | 5.6 ± 0.4   | 5.0 ± 0.3   |
| Electrical Downtilt continuously adjustable             | °   | 2.5 – 12.0                         |             |             |             |             |
| Tilt Accuracy   | °   | < 0.2                              | < 0.3       | < 0.3       | < 0.4       | < 0.2       |
| First Upper Side Lobe Suppression                       | dB  | > 21                               | > 24        | > 23        | > 19        | > 23        |
| Upper Side Lobe Suppression, 20° Sector above Main Beam | dB  | > 14                               | > 15        | > 15        | > 15        | > 17        |
| Cross Polar Isolation                                   | dB  | > 28                               |             |             |             |             |
| Port to Port Isolation                                  | dB  | > 30 (Y2 // R1, Y1)                |             |             |             |             |
| Max. Effective Power per Port                           | W   | 200 (at 50 °C ambient temperature) |             |             |             |             |

Values based on NGMN-P-BASTA (version 9.6) requirements.

## Electrical specifications, all systems

|                                      |          |                                    |
|--------------------------------------|----------|------------------------------------|
| Impedance                            | $\Omega$ | 50                                 |
| VSWR                                 |          | < 1.5                              |
| Return Loss                          | dB       | > 14                               |
| Interband Isolation                  | dB       | > 30                               |
| Passive Intermodulation              | dBc      | < -150 (2 x 43 dBm carrier)        |
| Polarization                         | °        | +45, -45                           |
| Max. Effective Power for the Antenna | W        | 900 (at 50 °C ambient temperature) |

Values based on NGMN-P-BASTA (version 9.6) requirements.

## Mechanical specifications

|   |  |  |
|---|--|--|
| Input                                     | 6x 7-16 female   |  |
| Connector Position                        | bottom   |  |
| Adjustment Mechanism                      | FlexRET, continuously adjustable   |  |
| Wind load (at Rated Wind Speed: 150 km/h) | N   lbf  | Frontal: 830   187<br>Maximal: 960   216                 |
| Max. Wind Velocity                        | km/h<br>mph  | 200<br>124   |
| Height / Width / Depth                    | mm<br>inches   | 2441 / 377 / 169<br>96.1 / 14.8 / 6.7                    |
| Category of Mounting Hardware             | H (Heavy)  |  |
| Weight                                    | kg<br>lb   | 35.0 / 37.2 (clamps incl.)<br>77.1 / 81.9 (clamps incl.) |
| Packing Size                              | mm<br>inches   | 2641 / 397 / 212<br>104.0 / 15.6 / 8.3                   |
| Scope of Supply                           | Panel, FlexRET and 2 units of clamps for 42–115 mm   1.7–4.5 inches diameter |  |

## Accessories (order separately if required)

| Product No.   | Description          | Remarks<br>mm   inches  | Units per antenna |
|---------------|----------------------|---|-------------------|
| 85010002      | 1 clamp              | Mast diameter: 110–220   4.3–8.7                                  | 2                 |
| 85010003      | 1 clamp              | Mast diameter: 210–380   8.3–15.0                                 | 2                 |
| 85010009      | 1 downtilt kit       | Downtilt angle: 0°–14°  | 1                 |
| 86010154      | Site Sharing Adapter | 3-way (see figure below)  |                   |
| 86010155      | Site Sharing Adapter | 6-way (see figure below)  |                   |
| 86010162      | Gender Adapter       | Solely to be used in combination with a compatible FlexRET module | 1                 |
| KRY 121 108/1 | Port Extender        |   | 1                 |

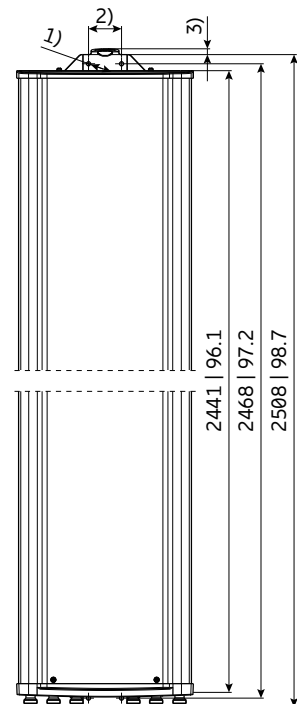
## Accessories (included in the scope of supply)

| Product No. | Description | Remarks<br>mm   inches          | Units per antenna |
|-------------|-------------|---------------------------------|-------------------|
| 738546      | 1 clamp     | Mast diameter: 42–115   1.7–4.5 | 2                 |
| 86010153V01 | FlexRET     | Compliant to 3GPP / AISG 2.0    | 1                 |

For downtilt mounting use the clamps for an appropriate mast diameter together with the downtilt kit.  
Wall mounting: No additional mounting kit needed.

**Material:** **Reflector screen:** Aluminum.  
**Fiberglass housing:** It covers totally the internal antenna components. The special design reduces the sealing areas to a minimum and guarantees the best weather protection. Fiberglass material guarantees optimum performance with regards to stability, stiffness, UV resistance and painting. The color of the radome is light grey.  
**All nuts and bolts:** Stainless steel or hot-dip galvanized steel.

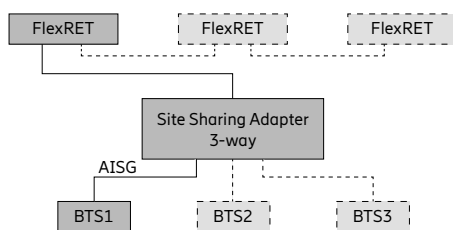
**Grounding:** The metal parts of the antenna including the mounting kit and the inner conductors are DC grounded.



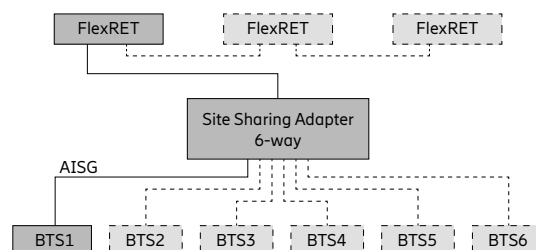
1)  $\varnothing$  9 | 0.4  
2) 72 | 2.8  
3) 13 | 0.5

All dimensions in mm | inches

## Configuration example with Site Sharing Adapter 86010154



## Configuration example with Site Sharing Adapter 86010155



For more information please refer to the respective data sheets.





1LB nMB

# Antenna 3402 1L 2M 2.7m

KRE 101 2561/1

Capacity

Compact

Coverage

65° | 1x 698–960 MHz | 16.5 dBi  
65° | 2x 1695–2690 MHz | 18.0 dBi  
Electrical downtilt set by integrated RET



[ericsson.com/antenna-system](https://ericsson.com/antenna-system)



Scan or [click](#)

| Center, lowband                             |     | R1, connector 1–2                  |            |            |            |
|---|-----|------------------------------------|------------|------------|------------|
| Frequency Range                             | MHz | 698 – 806                          | 791 – 862  | 824 – 894  | 880 – 960  |
| Gain at mid Tilt                            | dBi | 16.0                               | 16.2       | 16.4       | 16.9       |
| Gain over all Tilts                         | dBi | 16.0 ± 0.4                         | 16.2 ± 0.4 | 16.3 ± 0.6 | 16.9 ± 0.6 |
| <b>Horizontal Pattern:</b>                  |     |                                    |            |            |            |
| Azimuth Beamwidth                           | °   | 71 ± 1.5                           | 71 ± 2.8   | 69 ± 3.7   | 65 ± 2.8   |
| Front-to-Back Ratio, Total Power, ± 30°     | dB  | > 25                               | > 25       | > 26       | > 27       |
| Cross Polar Discrimination at Boresight     | dB  | > 25                               | > 20       | > 20       | > 21       |
| Azimuth Beam Port-to-Port Tracking          | dB  | 1.5                                | 1.5        | 2.0        | 1.5        |
| <b>Vertical Pattern:</b>                    |     |                                    |            |            |            |
| Elevation Beamwidth                         | °   | 9.0 ± 0.6                          | 8.3 ± 0.4  | 8.1 ± 0.5  | 7.5 ± 0.4  |
| Electrical Downtilt continuously adjustable | °   | 1.0 – 10.0                         |            |            |            |
| Tilt Accuracy                               | °   | < 0.6                              | < 0.5      | < 0.5      | < 0.4      |
| First Upper Sidelobe Suppression            | dB  | > 18                               | > 18       | > 17       | > 17       |
| Intra-Cluster Isolation                     | dB  | > 28                               |            |            |            |
| Inter-Cluster Isolation                     | dB  | > 28 (R1 // Y1, Y2)                |            |            |            |
| Max. Effective Power per Port               | W   | 200 (at 40 °C ambient temperature) |            |            |            |
| Max. Effective Power Ports R1               | W   | 300 (at 40 °C ambient temperature) |            |            |            |

Values based on NGMN-P-BASTA (version 11.1) requirements.

| Left side, midband                          |     | Y1, connector 3–4                  |             |             |             |             |
|---|-----|------------------------------------|-------------|-------------|-------------|-------------|
| Frequency Range                             | MHz | 1695 – 1880                        | 1850 – 1990 | 1920 – 2180 | 2300 – 2400 | 2500 – 2690 |
| Gain at mid Tilt                            | dBi | 17.0                               | 17.3        | 17.4        | 17.5        | 17.7        |
| Gain over all Tilts                         | dBi | 17.0 ± 0.8                         | 17.3 ± 0.6  | 17.3 ± 0.7  | 17.4 ± 0.7  | 17.7 ± 0.9  |
| <b>Horizontal Pattern:</b>                  |     |                                    |             |             |             |             |
| Azimuth Beamwidth                           | °   | 61 ± 4.7                           | 60 ± 3.6    | 61 ± 3.4    | 61 ± 3.4    | 62 ± 4.7    |
| Front-to-Back Ratio, Total Power, ± 30°     | dB  | > 24                               | > 24        | > 23        | > 25        | > 22        |
| Cross Polar Discrimination at Boresight     | dB  | > 25                               | > 26        | > 22        | > 17        | > 19        |
| Azimuth Beam Port-to-Port Tracking          | dB  | 2.0                                | 2.0         | 2.5         | 2.5         | 5.0         |
| <b>Vertical Pattern:</b>                    |     |                                    |             |             |             |             |
| Elevation Beamwidth                         | °   | 8.1 ± 0.6                          | 7.5 ± 0.4   | 7.1 ± 0.5   | 6.3 ± 0.3   | 5.8 ± 0.3   |
| Electrical Downtilt continuously adjustable | °   | 2.0 – 12.0                         |             |             |             |             |
| Tilt Accuracy                               | °   | < 0.5                              | < 0.5       | < 0.4       | < 0.4       | < 0.4       |
| First Upper Sidelobe Suppression            | dB  | > 24                               | > 22        | > 22        | > 21        | > 19        |
| Intra-Cluster Isolation                     | dB  | > 28                               |             |             |             |             |
| Inter-Cluster Isolation                     | dB  | > 28 (Y1 // R1, Y2)                |             |             |             |             |
| Max. Effective Power per Port               | W   | 175 (at 40 °C ambient temperature) |             |             |             |             |
| Max. Effective Power Ports Y1               | W   | 300 (at 40 °C ambient temperature) |             |             |             |             |

Values based on NGMN-P-BASTA (version 11.1) requirements.

| Right side, midband                         |     | Y2, connector 5–6                  |             |             |             |             |
|---|-----|------------------------------------|-------------|-------------|-------------|-------------|
| Frequency Range                             | MHz | 1695 – 1880                        | 1850 – 1990 | 1920 – 2180 | 2300 – 2400 | 2500 – 2690 |
| Gain at mid Tilt                            | dBi | 17.0                               | 17.2        | 17.1        | 17.2        | 17.4        |
| Gain over all Tilts                         | dBi | 16.9 ± 0.7                         | 17.1 ± 0.5  | 17.0 ± 0.6  | 17.2 ± 0.7  | 17.4 ± 0.9  |
| <b>Horizontal Pattern:</b>                  |     |                                    |             |             |             |             |
| Azimuth Beamwidth                           | °   | 61 ± 6.2                           | 60 ± 4.2    | 61 ± 3.7    | 61 ± 2.1    | 62 ± 5.0    |
| Front-to-Back Ratio, Total Power, ± 30°     | dB  | > 24                               | > 22        | > 21        | > 24        | > 22        |
| Cross Polar Discrimination at Boresight     | dB  | > 26                               | > 28        | > 21        | > 18        | > 19        |
| Azimuth Beam Port-to-Port Tracking          | dB  | 2.5                                | 2.5         | 3.0         | 3.0         | 5.0         |
| <b>Vertical Pattern:</b>                    |     |                                    |             |             |             |             |
| Elevation Beamwidth                         | °   | 8.1 ± 0.5                          | 7.5 ± 0.4   | 7.1 ± 0.5   | 6.3 ± 0.3   | 5.8 ± 0.3   |
| Electrical Downtilt continuously adjustable | °   | 2.0 – 12.0                         |             |             |             |             |
| Tilt Accuracy                               | °   | < 0.5                              | < 0.6       | < 0.6       | < 0.4       | < 0.5       |
| First Upper Sidelobe Suppression            | dB  | > 23                               | > 21        | > 21        | > 20        | > 19        |
| Intra-Cluster Isolation                     | dB  | > 28                               |             |             |             |             |
| Inter-Cluster Isolation                     | dB  | > 28dB(Y2//R1,Y1)                  |             |             |             |             |
| Max. Effective Power per Port               | W   | 175 (at 40 °C ambient temperature) |             |             |             |             |
| Max. Effective Power Ports Y2               | W   | 300 (at 40 °C ambient temperature) |             |             |             |             |

Values based on NGMN-P-BASTA (version 11.1) requirements.

## Electrical specifications, all ports

|                                      |            |                                    |
|--------------------------------------|------------|------------------------------------|
| Impedance                            | $\Omega$   | 50                                 |
| VSWR                                 |            | < 1.5                              |
| Return Loss                          | dB         | > 14                               |
| Inter-Cluster Isolation              | dB         | > 28                               |
| Passive Intermodulation              | dBc        | < -153 (2 x 43 dBm carrier)        |
| Polarization                         | $^{\circ}$ | -45, +45                           |
| Max. Effective Power for the Antenna | W          | 700 (at 40 °C ambient temperature) |

Values based on NGMN-P-BASTA (version 11.1) requirements.

## Mechanical specifications

|   |   |  |
|---|---|--|
| Input                                     | 6x 4.3-10 female  |  |
| Connector Position                        | bottom  |  |
| Adjustment Mechanism                      | Integrated RET, continuously adjustable   |  |
| Wind load (at Rated Wind Speed: 150 km/h) | N   lbf   | Frontal: 1355   305<br>Lateral: 1490   335               |
| Wind Load Standard                        | EN 1994-1-4   |  |
| Wind Load Laboratory                      | TU Dresden; Göttinger-type wind tunnel  |  |
| Max. Wind Velocity                        | km/h<br>mph   | 241<br>150   |
| Height / Width / Depth                    | mm<br>inches  | 2697 / 353 / 164<br>106.2 / 13.9 / 6.5                   |
| Category of Mounting Hardware             | H (Heavy)   |  |
| Weight                                    | kg<br>lb  | 32.0 / 34.9 (clamps incl.)<br>70.5 / 76.9 (clamps incl.) |
| Packing Size                              | mm<br>inches  | 2910 / 377 / 210<br>114.6 / 14.8 / 8.3                   |
| Scope of Supply                           | Panel, integrated RET and 2 units of clamps for 55–115 mm   2.2–4.5 inches diameter |  |

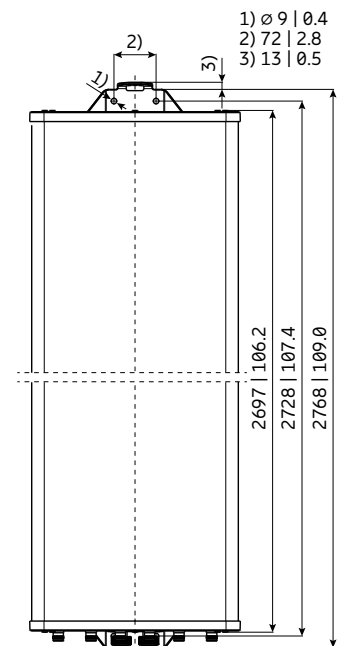
## Accessories (order separately if required)

| Product No. | Description    | Remarks<br>mm   inches                | Units per antenna |
|-------------|----------------|---------------------------------------|-------------------|
| 85010002    | 1 clamp        | Mast diameter: 110 – 220   4.3 – 8.7  | 2                 |
| 85010003    | 1 clamp        | Mast diameter: 210 – 380   8.3 – 15.0 | 2                 |
| 85010009    | 1 downtilt kit | Downtilt angle: 0°–8°                 | 1                 |

For downtilt mounting use the clamps for an appropriate mast diameter together with the downtilt kit. Wall mounting: No additional mounting kit needed.

**Material:** **Reflector screen:** Aluminum.  
**Fiberglass housing:** It covers totally the internal antenna components. The special design reduces the sealing areas to a minimum and guarantees the best weather protection. Fiberglass material guarantees optimum performance with regards to stability, stiffness, UV resistance and painting. The color of the radome is light grey.  
**All nuts and bolts:** Stainless steel or hot-dip galvanized steel.

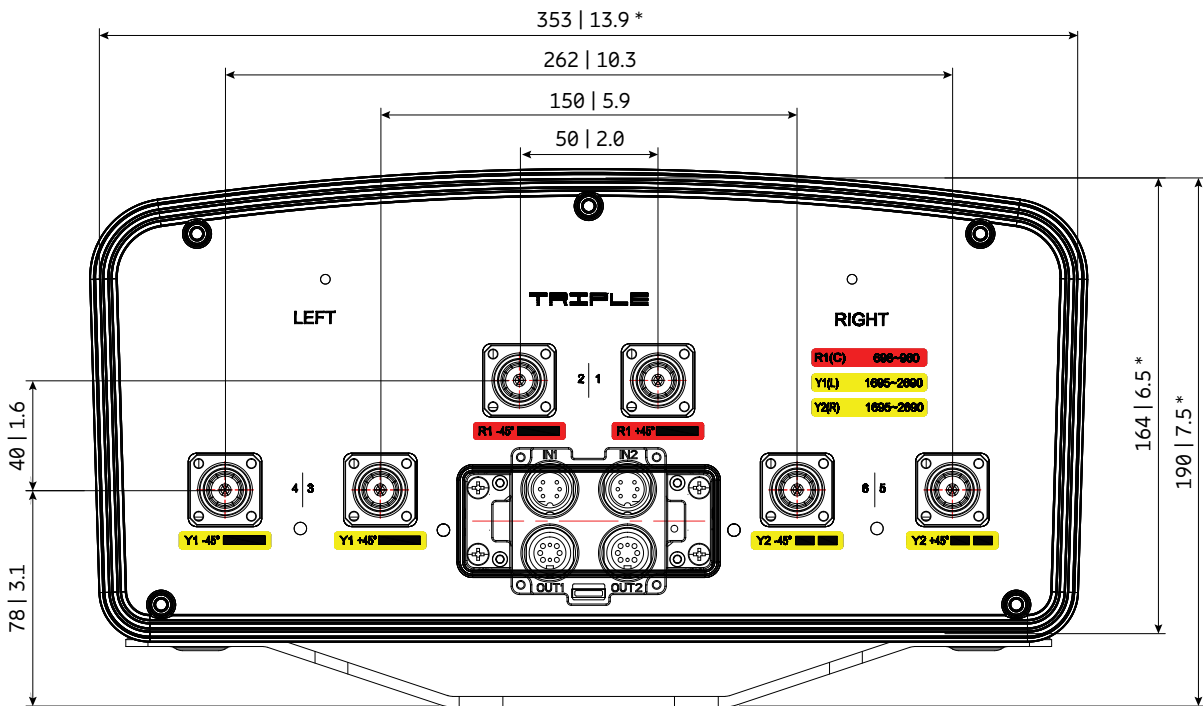
**Grounding:** The metal parts of the antenna including the mounting kit and the inner conductors are DC grounded.



All dimensions  
in mm | inches



## Layout of interface



Bottom view  
\* Dimensions refer to radome  
All dimensions in mm | inches

## Correlation Table

| Frequency range | Array | Connector / Ports |
|-----------------|-------|-------------------|
| 698–960 MHz     | R1    | 1–2               |
| 1695–2690 MHz   | Y1    | 3–4               |
| 1695–2690 MHz   | Y2    | 5–6               |





# Antenna 3601 1L 3M 1.5m

KRE 101 2581/1

Capacity

Compact

Coverage

65° | 1x 698–960 MHz | 14.8 dBi  
65° | 3x 1695–2690 MHz | 17.5 dBi  
Electrical downtilt set by integrated RET



[ericsson.com/antenna-system](https://ericsson.com/antenna-system)



Scan or [click](#)

| Center, lowband   |     | R1, connector 1–2                  |            |            |
|---|-----|------------------------------------|------------|------------|
| Frequency Range   | MHz | 698 – 824                          | 790 – 894  | 880 – 960  |
| Gain over all Tilts                                     | dBi | 14.1 ± 0.4                         | 14.5 ± 0.4 | 14.8 ± 0.4 |
| <b>Horizontal Pattern:</b>                              |     |                                    |            |            |
| Azimuth Beamwidth                                       | °   | 69 ± 2.6                           | 67 ± 1.7   | 66 ± 2.0   |
| Front-to-Back Ratio, Total Power, ± 30°                 | dB  | > 26                               | > 26       | > 26       |
| <b>Vertical Pattern:</b>                                |     |                                    |            |            |
| Elevation Beamwidth                                     | °   | 15.6 ± 1.1                         | 14.3 ± 0.9 | 13.1 ± 0.8 |
| Electrical Downtilt continuously adjustable             | °   | 2.0 – 16.0                         |            |            |
| Tilt Accuracy   | °   | < 1                                | < 1        | < 1        |
| First Upper Side Lobe Suppression                       | dB  | > 16                               | > 18       | > 19       |
| Upper Side Lobe Suppression, 20° Sector above Main Beam | dB  | > 19                               | > 19       | > 19       |
| Cross Polar Isolation                                   | dB  | > 26                               |            |            |
| Port to Port Isolation                                  | dB  | > 27 (R1 // Y1, Y2, Y3)            |            |            |
| Max. Effective Power per Port                           | W   | 175 (at 40 °C ambient temperature) |            |            |
| Max. Effective Power Ports R1                           | W   | 300 (at 40 °C ambient temperature) |            |            |

Values based on NGMN-P-BASTA (version 10.0) requirements.

| Left side, midband                                      |     | Y1, connector 3–4                  |             |             |             |             |
|---|-----|------------------------------------|-------------|-------------|-------------|-------------|
| Frequency Range   | MHz | 1695 – 1880                        | 1850 – 1990 | 1920 – 2180 | 2300 – 2400 | 2490 – 2690 |
| Gain over all Tilts                                     | dBi | 16.8 ± 0.6                         | 17.1 ± 0.5  | 17.0 ± 0.7  | 17.4 ± 0.7  | 17.8 ± 0.8  |
| <b>Horizontal Pattern:</b>                              |     |                                    |             |             |             |             |
| Azimuth Beamwidth                                       | °   | 68 ± 6.4                           | 66 ± 4.8    | 68 ± 4.8    | 64 ± 2.4    | 58 ± 3.1    |
| Front-to-Back Ratio, Total Power, ± 30°                 | dB  | > 24                               | > 24        | > 25        | > 25        | > 24        |
| <b>Vertical Pattern:</b>                                |     |                                    |             |             |             |             |
| Elevation Beamwidth                                     | °   | 7.5 ± 0.7                          | 6.9 ± 0.3   | 6.6 ± 0.4   | 5.9 ± 0.2   | 5.3 ± 0.3   |
| Electrical Downtilt continuously adjustable             | °   | 2.0 – 12.0                         |             |             |             |             |
| Tilt Accuracy   | °   | < 0.6                              | < 0.5       | < 0.5       | < 0.7       | < 0.4       |
| First Upper Side Lobe Suppression                       | dB  | > 16                               | > 17        | > 17        | > 18        | > 16        |
| Upper Side Lobe Suppression, 20° Sector above Main Beam | dB  | > 16                               | > 17        | > 16        | > 16        | > 16        |
| Cross Polar Isolation                                   | dB  | > 26                               |             |             |             |             |
| Port to Port Isolation                                  | dB  | > 26 (Y1 // R1, Y2, Y3)            |             |             |             |             |
| Max. Effective Power per Port                           | W   | 175 (at 40 °C ambient temperature) |             |             |             |             |
| Max. Effective Power Ports Y1                           | W   | 300 (at 40 °C ambient temperature) |             |             |             |             |

Values based on NGMN-P-BASTA (version 10.0) requirements.

| Center, midband   |     | Y2, connector 5–6                  |             |             |             |             |
|---|-----|------------------------------------|-------------|-------------|-------------|-------------|
| Frequency Range   | MHz | 1695 – 1880                        | 1850 – 1990 | 1920 – 2180 | 2300 – 2400 | 2490 – 2690 |
| Gain over all Tilts                                     | dBi | 16.2 ± 0.5                         | 16.4 ± 0.4  | 16.5 ± 0.5  | 16.9 ± 0.9  | 17.2 ± 0.9  |
| <b>Horizontal Pattern:</b>                              |     |                                    |             |             |             |             |
| Azimuth Beamwidth                                       | °   | 73 ± 4.5                           | 74 ± 2.4    | 72 ± 5.7    | 60 ± 3.5    | 61 ± 5.9    |
| Front-to-Back Ratio, Total Power, ± 30°                 | dB  | > 26                               | > 27        | > 26        | > 28        | > 27        |
| <b>Vertical Pattern:</b>                                |     |                                    |             |             |             |             |
| Elevation Beamwidth                                     | °   | 7.4 ± 0.5                          | 6.9 ± 0.3   | 6.6 ± 0.4   | 5.9 ± 0.4   | 5.3 ± 0.3   |
| Electrical Downtilt continuously adjustable             | °   | 2.0 – 12.0                         |             |             |             |             |
| Tilt Accuracy   | °   | < 0.7                              | < 0.6       | < 0.5       | < 0.7       | < 0.5       |
| First Upper Side Lobe Suppression                       | dB  | > 20                               | > 19        | > 18        | > 16        | > 17        |
| Upper Side Lobe Suppression, 20° Sector above Main Beam | dB  | > 16                               | > 16        | > 15        | > 14        | > 16        |
| Cross Polar Isolation                                   | dB  | > 26                               |             |             |             |             |
| Port to Port Isolation                                  | dB  | > 26 (Y2 // R1, Y1, Y3)            |             |             |             |             |
| Max. Effective Power per Port                           | W   | 175 (at 40 °C ambient temperature) |             |             |             |             |
| Max. Effective Power Ports Y2                           | W   | 300 (at 40 °C ambient temperature) |             |             |             |             |

Values based on NGMN-P-BASTA (version 10.0) requirements.

| Right side, midband                                     |     | Y3, connector 7–8                  |             |             |             |             |
|---|-----|------------------------------------|-------------|-------------|-------------|-------------|
| Frequency Range   | MHz | 1695 – 1880                        | 1850 – 1990 | 1920 – 2180 | 2300 – 2400 | 2490 – 2690 |
| Gain over all Tilts                                     | dBi | 16.7 ± 0.7                         | 17.0 ± 0.7  | 17.0 ± 0.6  | 17.4 ± 0.7  | 17.8 ± 0.8  |
| <b>Horizontal Pattern:</b>                              |     |                                    |             |             |             |             |
| Azimuth Beamwidth                                       | °   | 68 ± 4.3                           | 64 ± 4.6    | 70 ± 4.9    | 65 ± 2.7    | 58 ± 3.2    |
| Front-to-Back Ratio, Total Power, ± 30°                 | dB  | > 26                               | > 26        | > 26        | > 26        | > 26        |
| <b>Vertical Pattern:</b>                                |     |                                    |             |             |             |             |
| Elevation Beamwidth                                     | °   | 7.5 ± 0.8                          | 6.9 ± 0.4   | 6.6 ± 0.5   | 5.8 ± 0.3   | 5.3 ± 0.3   |
| Electrical Downtilt continuously adjustable             | °   | 2.0 – 12.0                         |             |             |             |             |
| Tilt Accuracy   | °   | < 0.4                              | < 0.4       | < 0.4       | < 0.3       | < 0.4       |
| First Upper Side Lobe Suppression                       | dB  | > 16                               | > 18        | > 21        | > 18        | > 18        |
| Upper Side Lobe Suppression, 20° Sector above Main Beam | dB  | > 16                               | > 16        | > 15        | > 13        | > 14        |
| Cross Polar Isolation                                   | dB  | > 26                               |             |             |             |             |
| Port to Port Isolation                                  | dB  | > 26 (Y3 // R1, Y1, Y2)            |             |             |             |             |
| Max. Effective Power per Port                           | W   | 175 (at 40 °C ambient temperature) |             |             |             |             |
| Max. Effective Power Ports Y3                           | W   | 300 (at 40 °C ambient temperature) |             |             |             |             |

Values based on NGMN-P-BASTA (version 10.0) requirements.

## Electrical specifications, all ports

|                                      |            |                                    |
|--------------------------------------|------------|------------------------------------|
| Impedance                            | $\Omega$   | 50                                 |
| VSWR                                 |            | < 1.5                              |
| Return Loss                          | dB         | > 14                               |
| Interband Isolation                  | dB         | > 26                               |
| Passive Intermodulation              | dBc        | < -153 (2 x 43 dBm carrier)        |
| Polarization                         | $^{\circ}$ | +45, -45                           |
| Max. Effective Power for the Antenna | W          | 600 (at 40 °C ambient temperature) |

Values based on NGMN-P-BASTA (version 10.0) requirements.

## Mechanical specifications

|   |   |  |
|---|---|--|
| Input                                     | 8x 4.3-10 female  |  |
| Connector Position                        | bottom  |  |
| Adjustment Mechanism                      | Integrated RET, continuously adjustable   |  |
| Wind load (at Rated Wind Speed: 150 km/h) | N   lbf   | Frontal: 635   143<br>Maximal: 635   143               |
| Max. Wind Velocity                        | km/h<br>mph   | 241<br>150   |
| Height / Width / Depth                    | mm<br>inches  | 1500 / 353 / 164<br>59.1 / 13.9 / 6.5                  |
| Category of Mounting Hardware             | H (Heavy)   |  |
| Weight                                    | kg<br>lb  | 22 / 26.1 (clamps incl.)<br>48.5 / 57.5 (clamps incl.) |
| Packing Size                              | mm<br>inches  | 1720 / 377 / 210<br>67.7 / 14.8 / 8.3                  |
| Scope of Supply                           | Panel, integrated RET and 2 units of clamps for 55–115 mm   2.2–4.5 inches diameter |  |

## Accessories (order separately if required)

| Product No. | Description    | Remarks<br>mm   inches                | Units per antenna |
|-------------|----------------|---------------------------------------|-------------------|
| 85010002    | 1 clamp        | Mast diameter: 110 – 220   4.3 – 8.7  | 2                 |
| 85010003    | 1 clamp        | Mast diameter: 210 – 380   8.3 – 15.0 | 2                 |
| 85010009    | 1 downtilt kit | Downtilt angle: 0°–11°                | 1                 |

For downtilt mounting use the clamps for an appropriate mast diameter together with the downtilt kit.

Wall mounting: No additional mounting kit needed.

**Material:**

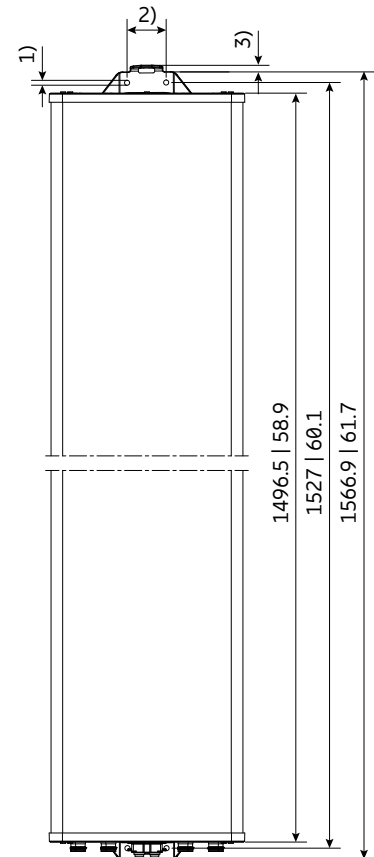
**Reflector screen:** Aluminum.

**Fiberglass housing:** It covers totally the internal antenna components. The special design reduces the sealing areas to a minimum and guarantees the best weather protection. Fiberglass material guarantees optimum performance with regards to stability, stiffness, UV resistance and painting. The color of the radome is light grey.

**All nuts and bolts:** Stainless steel or hot-dip galvanized steel.

**Grounding:**

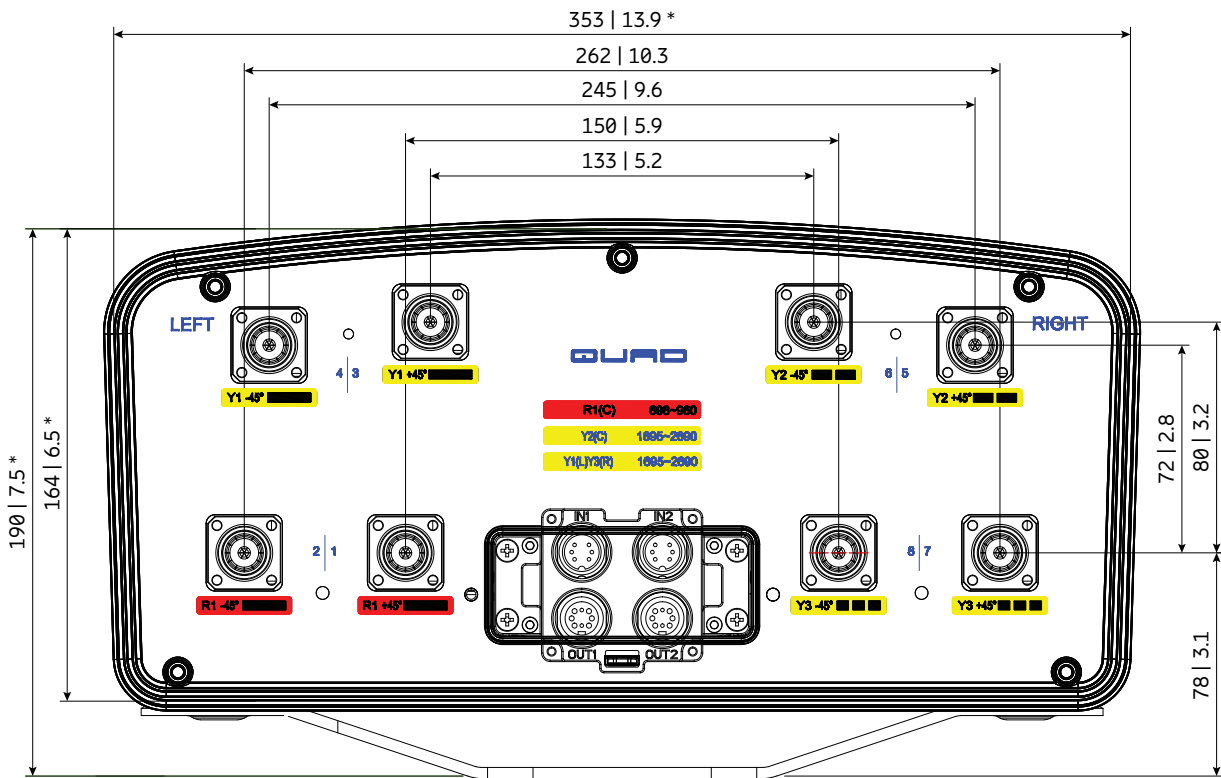
The metal parts of the antenna including the mounting kit and the inner conductors are DC grounded.



- 1)  $\varnothing$  9 | 0.4  
2) 72 | 2.8  
3) 13 | 0.5

All dimensions  
in mm | inches

### Layout of interface



Bottom view

\* Dimensions refer to radome  
All dimensions in mm | inches

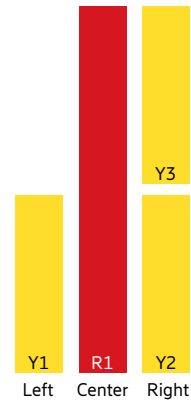
### Correlation Table

| Frequency range | Array | Connector / Ports |
|-----------------|-------|-------------------|
| 698–960 MHz     | R1    | 1–2               |
| 1695–2690 MHz   | Y1    | 3–4               |
| 1695–2690 MHz   | Y2    | 5–6               |
| 1695–2690 MHz   | Y3    | 7–8               |





Preliminary Issue



1LB nMB

# Antenna 3601 1L 3M 2.7m

KRE 101 2562/1

Capacity

Compact

Coverage

65° | 1x 698–960 MHz | 16.5 dBi  
65° | 3x 1695–2690 MHz | 17.0 dBi  
Electrical downtilt set by integrated RET



[ericsson.com/antenna-system](https://ericsson.com/antenna-system)



Scan or [click](#)

| Center, lowband                             |     | R1, connector 1–2                  |            |            |            |  |
|---|-----|------------------------------------|------------|------------|------------|--|
| Frequency Range                             | MHz | 698 – 806                          | 791 – 862  | 824 – 894  | 880 – 960  |  |
| Gain at mid Tilt                            | dBi | 16.1                               | 16.5       | 16.6       | 16.8       |  |
| Gain over all Tilts                         | dBi | 16.0 ± 0.6                         | 16.5 ± 0.5 | 16.5 ± 0.5 | 16.6 ± 0.6 |  |
| <b>Horizontal Pattern:</b>                  |     |                                    |            |            |            |  |
| Azimuth Beamwidth                           | °   | 70 ± 2.5                           | 67 ± 1.7   | 66 ± 1.5   | 65 ± 2.0   |  |
| Front-to-Back Ratio, Total Power, ± 30°     | dB  | > 26                               | > 27       | > 28       | > 28       |  |
| <b>Vertical Pattern:</b>                    |     |                                    |            |            |            |  |
| Elevation Beamwidth                         | °   | 8.4 ± 0.8                          | 7.6 ± 0.4  | 7.4 ± 0.4  | 6.9 ± 0.4  |  |
| Electrical Downtilt continuously adjustable | °   | 1.0 – 10.0                         |            |            |            |  |
| Tilt Accuracy                               | °   | < 0.8                              | < 0.9      | < 0.8      | < 0.8      |  |
| First Upper Side Lobe Suppression           | dB  | > 16                               | > 16       | > 17       | > 17       |  |
| Cross Polar Isolation                       | dB  | > 28                               |            |            |            |  |
| Port to Port Isolation                      | dB  | > 28 (R1 // Y1, Y2, Y3)            |            |            |            |  |
| Max. Effective Power per Port               | W   | 200 (at 40 °C ambient temperature) |            |            |            |  |
| Max. Effective Power Ports R1               | W   | 400 (at 40 °C ambient temperature) |            |            |            |  |

Values based on NGMN-P-BASTA (version 10.0) requirements.

| Left side, midband                          |     | Y1, connector 3–4                  |             |             |             |             |
|---|-----|------------------------------------|-------------|-------------|-------------|-------------|
| Frequency Range                             | MHz | 1695 – 1880                        | 1850 – 1990 | 1920 – 2170 | 2300 – 2400 | 2500 – 2690 |
| Gain at mid Tilt                            | dBi | 16.8                               | 17.2        | 17.2        | 17.0        | 17.5        |
| Gain over all Tilts                         | dBi | 16.8 ± 0.8                         | 17.2 ± 0.7  | 17.2 ± 0.7  | 17.1 ± 0.8  | 17.4 ± 0.8  |
| <b>Horizontal Pattern:</b>                  |     |                                    |             |             |             |             |
| Azimuth Beamwidth                           | °   | 62 ± 5.8                           | 60 ± 3.9    | 61 ± 3.3    | 63 ± 2.9    | 62 ± 3.1    |
| Front-to-Back Ratio, Total Power, ± 30°     | dB  | > 25                               | > 23        | > 23        | > 27        | > 25        |
| <b>Vertical Pattern:</b>                    |     |                                    |             |             |             |             |
| Elevation Beamwidth                         | °   | 7.5 ± 0.5                          | 7.0 ± 0.3   | 6.6 ± 0.4   | 5.8 ± 0.3   | 5.4 ± 0.3   |
| Electrical Downtilt continuously adjustable | °   | 2.0 – 12.0                         |             |             |             |             |
| Tilt Accuracy                               | °   | < 1.3                              | < 1.4       | < 1.2       | < 1.0       | < 1.1       |
| First Upper Side Lobe Suppression           | dB  | > 19                               | > 19        | > 18        | > 17        | > 19        |
| Cross Polar Isolation                       | dB  | > 28                               |             |             |             |             |
| Port to Port Isolation                      | dB  | > 28 (Y1 // R1, Y2, Y3)            |             |             |             |             |
| Max. Effective Power per Port               | W   | 175 (at 40 °C ambient temperature) |             |             |             |             |
| Max. Effective Power Ports Y1               | W   | 300 (at 40 °C ambient temperature) |             |             |             |             |

Values based on NGMN-P-BASTA (version 10.0) requirements.



## Right side, lower midband

## Y2, connector 5–6

| Frequency Range                             | MHz | 1695 – 1880                        | 1850 – 1990 | 1920 – 2170 | 2300 – 2400 | 2500 – 2690 |
|---|-----|------------------------------------|-------------|-------------|-------------|-------------|
| Gain at mid Tilt                            | dBi | 17.0                               | 17.4        | 17.4        | 17.5        | 17.8        |
| Gain over all Tilts                         | dBi | 17.0 ± 0.8                         | 17.4 ± 0.8  | 17.4 ± 0.8  | 17.4 ± 0.8  | 17.8 ± 0.9  |
| <b>Horizontal Pattern:</b>                  |     |                                    |             |             |             |             |
| Azimuth Beamwidth                           | °   | 60 ± 6.0                           | 59 ± 5.5    | 60 ± 7.4    | 62 ± 3.7    | 62 ± 3.4    |
| Front-to-Back Ratio, Total Power, ± 30°     | dB  | > 24                               | > 24        | > 24        | > 25        | > 23        |
| <b>Vertical Pattern:</b>                    |     |                                    |             |             |             |             |
| Elevation Beamwidth                         | °   | 7.5 ± 0.5                          | 6.9 ± 0.3   | 6.5 ± 0.4   | 5.7 ± 0.4   | 5.2 ± 0.3   |
| Electrical Downtilt continuously adjustable | °   | 2.0 – 12.0                         |             |             |             |             |
| Tilt Accuracy                               | °   | < 0.9                              | < 0.9       | < 1.0       | < 0.9       | < 0.8       |
| First Upper Side Lobe Suppression           | dB  | > 18                               | > 20        | > 19        | > 19        | > 18        |
| Cross Polar Isolation                       | dB  | > 28                               |             |             |             |             |
| Port to Port Isolation                      | dB  | > 28 (Y2 // R1, Y1, Y3)            |             |             |             |             |
| Max. Effective Power per Port               | W   | 175 (at 40 °C ambient temperature) |             |             |             |             |
| Max. Effective Power Ports Y2               | W   | 300 (at 40 °C ambient temperature) |             |             |             |             |

Values based on NGMN-P-BASTA (version 10.0) requirements.

## Right side, upper midband

## Y3, connector 7–8

| Frequency Range                             | MHz | 1695 – 1880                        | 1850 – 1990 | 1920 – 2170 | 2300 – 2400 | 2500 – 2690 |
|---|-----|------------------------------------|-------------|-------------|-------------|-------------|
| Gain at mid Tilt                            | dBi | 16.7                               | 16.9        | 17.0        | 17.3        | 17.6        |
| Gain over all Tilts                         | dBi | 16.7 ± 0.5                         | 16.9 ± 0.5  | 17.0 ± 0.6  | 17.2 ± 0.8  | 17.6 ± 0.9  |
| <b>Horizontal Pattern:</b>                  |     |                                    |             |             |             |             |
| Azimuth Beamwidth                           | °   | 63 ± 3.5                           | 62 ± 3.8    | 62 ± 4.4    | 61 ± 2.6    | 61 ± 3.3    |
| Front-to-Back Ratio, Total Power, ± 30°     | dB  | > 26                               | > 26        | > 24        | > 27        | > 24        |
| <b>Vertical Pattern:</b>                    |     |                                    |             |             |             |             |
| Elevation Beamwidth                         | °   | 7.5 ± 0.5                          | 7.0 ± 0.3   | 6.6 ± 0.5   | 5.8 ± 0.3   | 5.3 ± 0.3   |
| Electrical Downtilt continuously adjustable | °   | 2.0 – 12.0                         |             |             |             |             |
| Tilt Accuracy                               | °   | < 1.1                              | < 1.0       | < 0.9       | < 0.9       | < 0.8       |
| First Upper Side Lobe Suppression           | dB  | > 20                               | > 23        | > 21        | > 21        | > 20        |
| Cross Polar Isolation                       | dB  | > 28                               |             |             |             |             |
| Port to Port Isolation                      | dB  | > 28 (Y3 // R1, Y1, Y2)            |             |             |             |             |
| Max. Effective Power per Port               | W   | 175 (at 40 °C ambient temperature) |             |             |             |             |
| Max. Effective Power Ports Y3               | W   | 300 (at 40 °C ambient temperature) |             |             |             |             |

Values based on NGMN-P-BASTA (version 10.0) requirements.

## Electrical specifications, all ports

|                                      |            |                                    |
|--------------------------------------|------------|------------------------------------|
| Impedance                            | $\Omega$   | 50                                 |
| VSWR                                 |            | < 1.5                              |
| Return Loss                          | dB         | > 14                               |
| Interband Isolation                  | dB         | > 28                               |
| Passive Intermodulation              | dBc        | < -153 (2 x 43 dBm carrier)        |
| Polarization                         | $^{\circ}$ | -45, +45                           |
| Max. Effective Power for the Antenna | W          | 800 (at 40 °C ambient temperature) |

Values based on NGMN-P-BASTA (version 10.0) requirements.

## Mechanical specifications

|   |   |  |
|---|---|--|
| Input                                     | 8x 4.3-10 female  |  |
| Connector Position                        | bottom  |  |
| Adjustment Mechanism                      | Integrated RET, continuously adjustable   |  |
| Wind load (at Rated Wind Speed: 150 km/h) | N   lbf   | Frontal: 1230   276<br>Maximal: 1230   276               |
| Max. Wind Velocity                        | km/h<br>mph   | 200<br>124   |
| Height / Width / Depth                    | mm<br>inches  | 2697 / 353 / 164<br>106.2 / 13.9 / 6.5                   |
| Category of Mounting Hardware             | H (Heavy)   |  |
| Weight                                    | kg<br>lb  | 33.7 / 36.6 (clamps incl.)<br>74.3 / 80.7 (clamps incl.) |
| Packing Size                              | mm<br>inches  | 2910 / 377 / 210<br>114.6 / 14.8 / 8.3                   |
| Scope of Supply                           | Panel, integrated RET and 2 units of clamps for 55–115 mm   2.2–4.5 inches diameter |  |

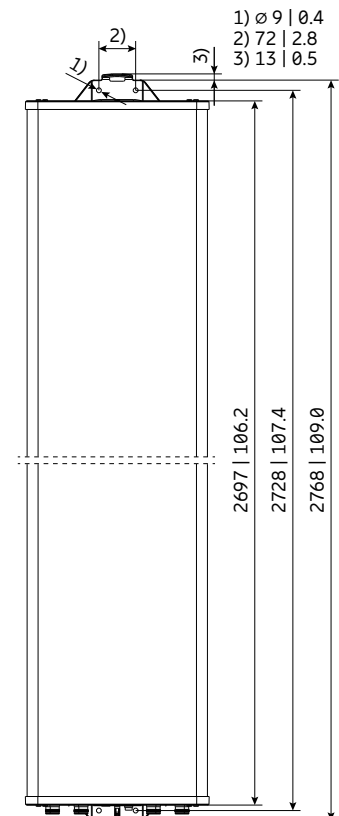
## Accessories (order separately if required)

| Product No. | Description    | Remarks<br>mm   inches                | Units per antenna |
|-------------|----------------|---------------------------------------|-------------------|
| 85010002    | 1 clamp        | Mast diameter: 110 – 220   4.3 – 8.7  | 2                 |
| 85010003    | 1 clamp        | Mast diameter: 210 – 380   8.3 – 15.0 | 2                 |
| 85010009    | 1 downtilt kit | Downtilt angle: 0°–8°                 | 1                 |

For downtilt mounting use the clamps for an appropriate mast diameter together with the downtilt kit.  
Wall mounting: No additional mounting kit needed.

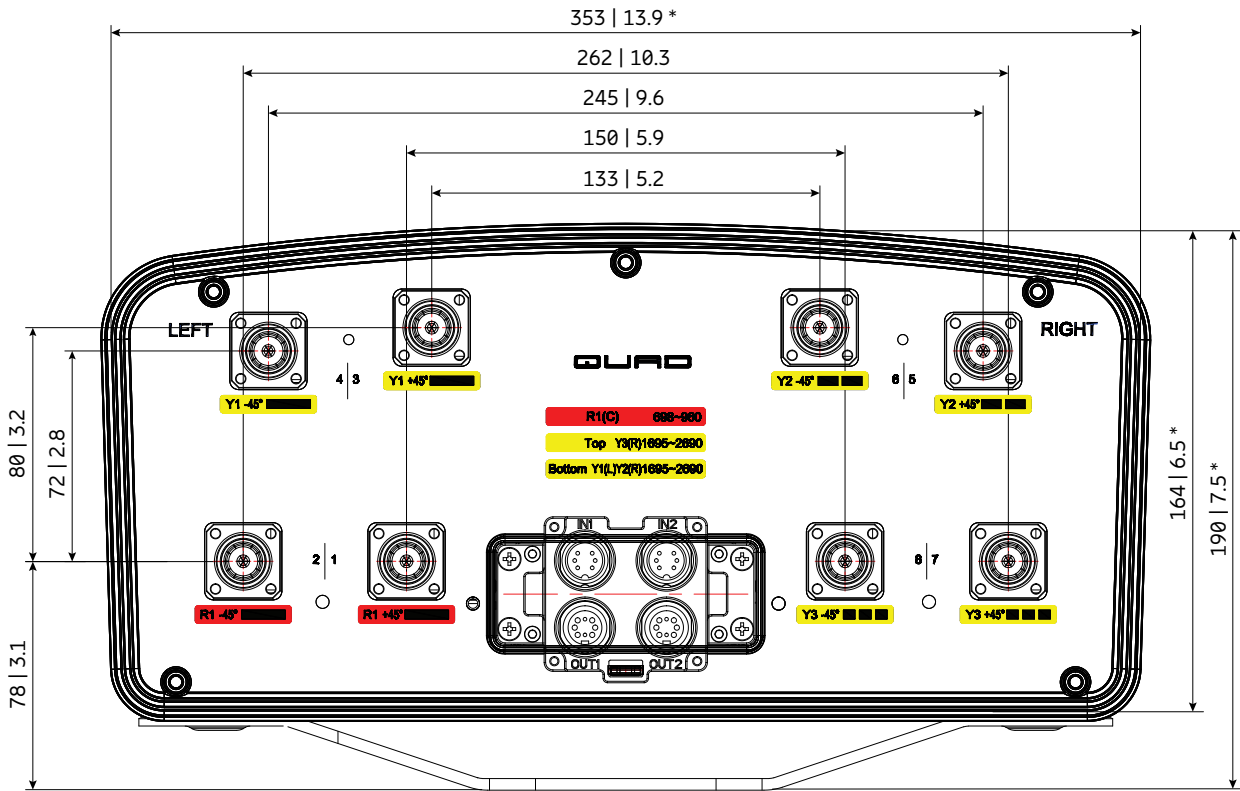
**Material:** **Reflector screen:** Aluminum.  
**Fiberglass housing:** It covers totally the internal antenna components. The special design reduces the sealing areas to a minimum and guarantees the best weather protection. Fiberglass material guarantees optimum performance with regards to stability, stiffness, UV resistance and painting. The color of the radome is light grey.  
**All nuts and bolts:** Stainless steel or hot-dip galvanized steel.

**Grounding:** The metal parts of the antenna including the mounting kit and the inner conductors are DC grounded.



All dimensions  
in mm | inches

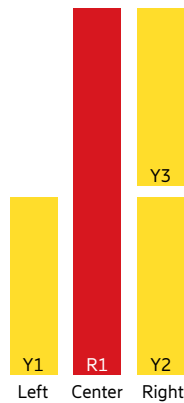
### Layout of interface



Bottom view  
 \* Dimensions refer to radome  
 All dimensions in mm | inches

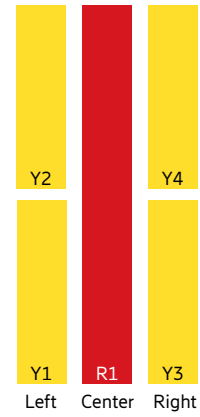
### Correlation Table

| Frequency range | Array | Connector / Ports |
|-----------------|-------|-------------------|
| 698–960 MHz     | R1    | 1–2               |
| 1695–2690 MHz   | Y1    | 3–4               |
| 1695–2690 MHz   | Y2    | 5–6               |
| 1695–2690 MHz   | Y3    | 7–8               |





Preliminary Issue



1LB nMB

# Antenna 3802 1L 4M 2.0m

KRE 101 2563/1

Capacity

Compact

Coverage

65° | 1x 698–960 MHz | 15.3 dBi  
65° | 4x 1695–2690 MHz | 16.0 dBi  
Electrical downtilt set by integrated RET



[ericsson.com/antenna-system](https://ericsson.com/antenna-system)



Scan or [click](#)

| Left side, lowband                                      |     | R1, connector 1–2                  |            |            |            |
|---|-----|------------------------------------|------------|------------|------------|
| Frequency Range   | MHz | 698 – 806                          | 791 – 862  | 824 – 894  | 880 – 960  |
| Gain over all Tilts                                     | dBi | 14.8 ± 0.4                         | 15.1 ± 0.4 | 15.3 ± 0.3 | 15.3 ± 0.3 |
| <b>Horizontal Pattern:</b>                              |     |                                    |            |            |            |
| Azimuth Beamwidth                                       | °   | 72 ± 1.9                           | 70 ± 2.2   | 69 ± 2.0   | 68 ± 2.3   |
| Front-to-Back Ratio, Total Power, ± 30°                 | dB  | > 27                               | > 27       | > 27       | > 26       |
| <b>Vertical Pattern:</b>                                |     |                                    |            |            |            |
| Elevation Beamwidth                                     | °   | 11.5 ± 0.8                         | 10.5 ± 0.5 | 10.2 ± 0.4 | 9.7 ± 0.5  |
| Electrical Downtilt continuously adjustable             | °   | 2.0 – 12.0                         |            |            |            |
| Tilt Accuracy   | °   | < 1                                | < 1        | < 1        | < 1        |
| First Upper Side Lobe Suppression                       | dB  | > 16                               | > 16       | > 16       | > 16       |
| Upper Side Lobe Suppression, 20° Sector above Main Beam | dB  | > 16                               | > 16       | > 16       | > 16       |
| Cross Polar Isolation                                   | dB  | > 27                               |            |            |            |
| Port to Port Isolation                                  | dB  | > 27 (R1 // Y1, Y2, Y3, Y4)        |            |            |            |
| Max. Effective Power per Port                           | W   | 175 (at 40 °C ambient temperature) |            |            |            |
| Max. Effective Power Ports R1                           | W   | 300 (at 40 °C ambient temperature) |            |            |            |

Values based on NGMN-P-BASTA (version 10.0) requirements.

| Left side, lower midband                                |     | Y1, connector 3–4                  |             |             |             |             |
|---|-----|------------------------------------|-------------|-------------|-------------|-------------|
| Frequency Range   | MHz | 1695 – 1880                        | 1850 – 1990 | 1920 – 2180 | 2300 – 2400 | 2490 – 2690 |
| Gain over all Tilts                                     | dBi | 15.9 ± 0.7                         | 16.3 ± 0.4  | 16.3 ± 0.5  | 16.5 ± 0.6  | 16.7 ± 0.7  |
| <b>Horizontal Pattern:</b>                              |     |                                    |             |             |             |             |
| Azimuth Beamwidth                                       | °   | 62 ± 5.8                           | 60 ± 2.7    | 59 ± 3.3    | 62 ± 3.6    | 63 ± 4.5    |
| Front-to-Back Ratio, Total Power, ± 30°                 | dB  | > 25                               | > 24        | > 24        | > 26        | > 25        |
| <b>Vertical Pattern:</b>                                |     |                                    |             |             |             |             |
| Elevation Beamwidth                                     | °   | 9.9 ± 0.7                          | 8.9 ± 0.5   | 8.5 ± 0.5   | 7.5 ± 0.5   | 6.8 ± 0.4   |
| Electrical Downtilt continuously adjustable             | °   | 2.0 – 12.0                         |             |             |             |             |
| Tilt Accuracy   | °   | < 0.6                              | < 0.5       | < 0.5       | < 0.7       | < 0.4       |
| First Upper Side Lobe Suppression                       | dB  | > 16                               | > 17        | > 17        | > 18        | > 16        |
| Upper Side Lobe Suppression, 20° Sector above Main Beam | dB  | > 16                               | > 17        | > 16        | > 16        | > 16        |
| Cross Polar Isolation                                   | dB  | > 27                               |             |             |             |             |
| Port to Port Isolation                                  | dB  | > 27 (Y1 // R1, Y2, Y3, Y4)        |             |             |             |             |
| Max. Effective Power per Port                           | W   | 175 (at 40 °C ambient temperature) |             |             |             |             |
| Max. Effective Power Ports Y1                           | W   | 300 (at 40 °C ambient temperature) |             |             |             |             |

Values based on NGMN-P-BASTA (version 10.0) requirements.

| Left side, upper midband                                |     | Y2, connector 5–6                  |             |             |             |             |
|---|-----|------------------------------------|-------------|-------------|-------------|-------------|
| Frequency Range   | MHz | 1695 – 1880                        | 1850 – 1990 | 1920 – 2180 | 2300 – 2400 | 2490 – 2690 |
| Gain over all Tilts                                     | dBi | 15.5 ± 0.5                         | 16 ± 0.4    | 16.1 ± 0.6  | 16.2 ± 0.7  | 16.4 ± 0.6  |
| <b>Horizontal Pattern:</b>                              |     |                                    |             |             |             |             |
| Azimuth Beamwidth                                       | °   | 65 ± 5.9                           | 62 ± 3.9    | 59 ± 4.1    | 62 ± 4.8    | 64 ± 3.9    |
| Front-to-Back Ratio, Total Power, ± 30°                 | dB  | > 25                               | > 25        | > 25        | > 26        | > 26        |
| <b>Vertical Pattern:</b>                                |     |                                    |             |             |             |             |
| Elevation Beamwidth                                     | °   | 10.0 ± 0.6                         | 9.1 ± 0.5   | 8.6 ± 0.6   | 7.5 ± 0.4   | 6.7 ± 0.4   |
| Electrical Downtilt continuously adjustable             | °   | 2.0 – 12.0                         |             |             |             |             |
| Tilt Accuracy   | °   | < 0.7                              | < 0.9       | < 0.9       | < 1         | < 0.6       |
| First Upper Side Lobe Suppression                       | dB  | > 17                               | > 17        | > 17        | > 15        | > 17        |
| Upper Side Lobe Suppression, 20° Sector above Main Beam | dB  | > 16                               | > 16        | > 15        | > 14        | > 16        |
| Cross Polar Isolation                                   | dB  | > 27                               |             |             |             |             |
| Port to Port Isolation                                  | dB  | > 27 (Y2 // R1, Y1, Y3, Y4)        |             |             |             |             |
| Max. Effective Power per Port                           | W   | 175 (at 40 °C ambient temperature) |             |             |             |             |
| Max. Effective Power Ports Y2                           | W   | 300 (at 40 °C ambient temperature) |             |             |             |             |

Values based on NGMN-P-BASTA (version 10.0) requirements.

| Right side, lower midband                               |     | Y3, connector 7–8                  |             |             |             |             |
|---|-----|------------------------------------|-------------|-------------|-------------|-------------|
| Frequency Range   | MHz | 1695 – 1880                        | 1850 – 1990 | 1920 – 2180 | 2300 – 2400 | 2490 – 2690 |
| Gain over all Tilts                                     | dBi | 15.9 ± 0.6                         | 16.1 ± 0.4  | 16.2 ± 0.6  | 16.5 ± 0.5  | 16.7 ± 0.7  |
| <b>Horizontal Pattern:</b>                              |     |                                    |             |             |             |             |
| Azimuth Beamwidth                                       | °   | 62 ± 5.5                           | 61 ± 3.0    | 60 ± 4.4    | 62 ± 3.2    | 63 ± 4.4    |
| Front-to-Back Ratio, Total Power, ± 30°                 | dB  | > 25                               | > 25        | > 24        | > 25        | > 26        |
| <b>Vertical Pattern:</b>                                |     |                                    |             |             |             |             |
| Elevation Beamwidth                                     | °   | 9.9 ± 0.7                          | 8.9 ± 0.5   | 8.5 ± 0.6   | 7.4 ± 0.4   | 6.7 ± 0.3   |
| Electrical Downtilt continuously adjustable             | °   | 2.0 – 12.0                         |             |             |             |             |
| Tilt Accuracy   | °   | < 0.5                              | < 0.4       | < 0.5       | < 0.6       | < 0.3       |
| First Upper Side Lobe Suppression                       | dB  | > 16                               | > 17        | > 17        | > 17        | > 15        |
| Upper Side Lobe Suppression, 20° Sector above Main Beam | dB  | > 16                               | > 16        | > 15        | > 13        | > 15        |
| Cross Polar Isolation                                   | dB  | > 27                               |             |             |             |             |
| Port to Port Isolation                                  | dB  | > 27 (Y3 // R1, Y1, Y2, Y4)        |             |             |             |             |
| Max. Effective Power per Port                           | W   | 175 (at 40 °C ambient temperature) |             |             |             |             |
| Max. Effective Power Ports Y3                           | W   | 300 (at 40 °C ambient temperature) |             |             |             |             |

Values based on NGMN-P-BASTA (version 10.0) requirements.

## Right side, upper midband

## Y4, connector 9–10

| Frequency Range   | MHz | 1695 – 1880                        | 1850 – 1990 | 1920 – 2180 | 2300 – 2400 | 2490 – 2690 |
|---|-----|------------------------------------|-------------|-------------|-------------|-------------|
| Gain over all Tilts                                     | dBi | 15.5 ± 0.7                         | 16.0 ± 0.3  | 16.0 ± 0.5  | 16.0 ± 0.6  | 16.3 ± 0.7  |
| <b>Horizontal Pattern:</b>                              |     |                                    |             |             |             |             |
| Azimuth Beamwidth                                       | °   | 64 ± 5.9                           | 61 ± 3.2    | 60 ± 3.4    | 63 ± 4.1    | 64 ± 4.3    |
| Front-to-Back Ratio, Total Power, ± 30°                 | dB  | > 27                               | > 25        | > 25        | > 25        | > 25        |
| <b>Vertical Pattern:</b>                                |     |                                    |             |             |             |             |
| Elevation Beamwidth                                     | °   | 10.3 ± 0.9                         | 9.1 ± 0.5   | 8.7 ± 0.8   | 7.5 ± 0.4   | 6.9 ± 0.3   |
| Electrical Downtilt continuously adjustable             | °   | 2.0 – 12.0                         |             |             |             |             |
| Tilt Accuracy   | °   | < 1.1                              | < 1         | < 1         | < 0.6       | < 0.7       |
| First Upper Side Lobe Suppression                       | dB  | > 16                               | > 16        | > 16        | > 17        | > 14        |
| Upper Side Lobe Suppression, 20° Sector above Main Beam | dB  | > 16                               | > 15        | > 15        | > 15        | > 14        |
| Cross Polar Isolation                                   | dB  | > 27                               |             |             |             |             |
| Port to Port Isolation                                  | dB  | > 27 (Y4 // R1, Y1, Y2, Y3)        |             |             |             |             |
| Max. Effective Power per Port                           | W   | 175 (at 40 °C ambient temperature) |             |             |             |             |
| Max. Effective Power Ports Y4                           | W   | 300 (at 40 °C ambient temperature) |             |             |             |             |

Values based on NGMN-P-BASTA (version 10.0) requirements.

## Electrical specifications, all ports

|                                      |            |                                    |
|--------------------------------------|------------|------------------------------------|
| Impedance                            | $\Omega$   | 50                                 |
| VSWR                                 |            | < 1.5                              |
| Return Loss                          | dB         | > 14                               |
| Interband Isolation                  | dB         | > 27                               |
| Passive Intermodulation              | dBc        | < -153 (2 x 43 dBm carrier)        |
| Polarization                         | $^{\circ}$ | +45, -45                           |
| Max. Effective Power for the Antenna | W          | 700 (at 40 °C ambient temperature) |

Values based on NGMN-P-BASTA (version 10.0) requirements.

## Mechanical specifications

|   |   |  |
|---|---|--|
| Input                                     | 10x 4.3-10 female   |  |
| Connector Position                        | bottom  |  |
| Adjustment Mechanism                      | Integrated RET, continuously adjustable   |  |
| Wind load (at Rated Wind Speed: 150 km/h) | N   lbf   | Frontal: 818   184<br>Maximal: 842   189                 |
| Max. Wind Velocity                        | km/h<br>mph   | 241<br>150   |
| Height / Width / Depth                    | mm<br>inches  | 1995 / 353 / 164<br>78.5 / 13.9 / 6.5                    |
| Category of Mounting Hardware             | H (Heavy)   |  |
| Weight                                    | kg<br>lb  | 28.3 / 31.2 (clamps incl.)<br>62.4 / 68.8 (clamps incl.) |
| Packing Size                              | mm<br>inches  | 2210 / 377 / 210<br>87.0 / 14.8 / 8.3                    |
| Scope of Supply                           | Panel, integrated RET and 2 units of clamps for 55–115 mm   2.2–4.5 inches diameter |  |

## Accessories (order separately if required)

| Product No. | Description    | Remarks<br>mm   inches                | Units per antenna |
|-------------|----------------|---------------------------------------|-------------------|
| 85010002    | 1 clamp        | Mast diameter: 110 – 220   4.3 – 8.7  | 2                 |
| 85010003    | 1 clamp        | Mast diameter: 210 – 380   8.3 – 15.0 | 2                 |
| 85010009    | 1 downtilt kit | Downtilt angle: 0°–11°                | 1                 |

For downtilt mounting use the clamps for an appropriate mast diameter together with the downtilt kit.  
Wall mounting: No additional mounting kit needed.

**Material:**

**Reflector screen:** Aluminum.

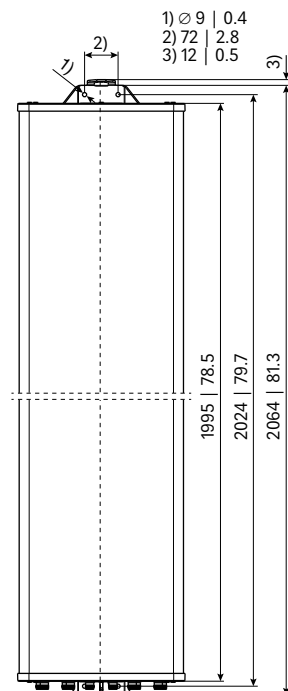
**Fiberglass housing:** It covers totally the internal antenna components.

The special design reduces the sealing areas to a minimum and guarantees the best weather protection. Fiberglass material guarantees optimum performance with regards to stability, stiffness, UV resistance and painting. The color of the radome is light grey.

**All nuts and bolts:** Stainless steel or hot-dip galvanized steel.

**Grounding:**

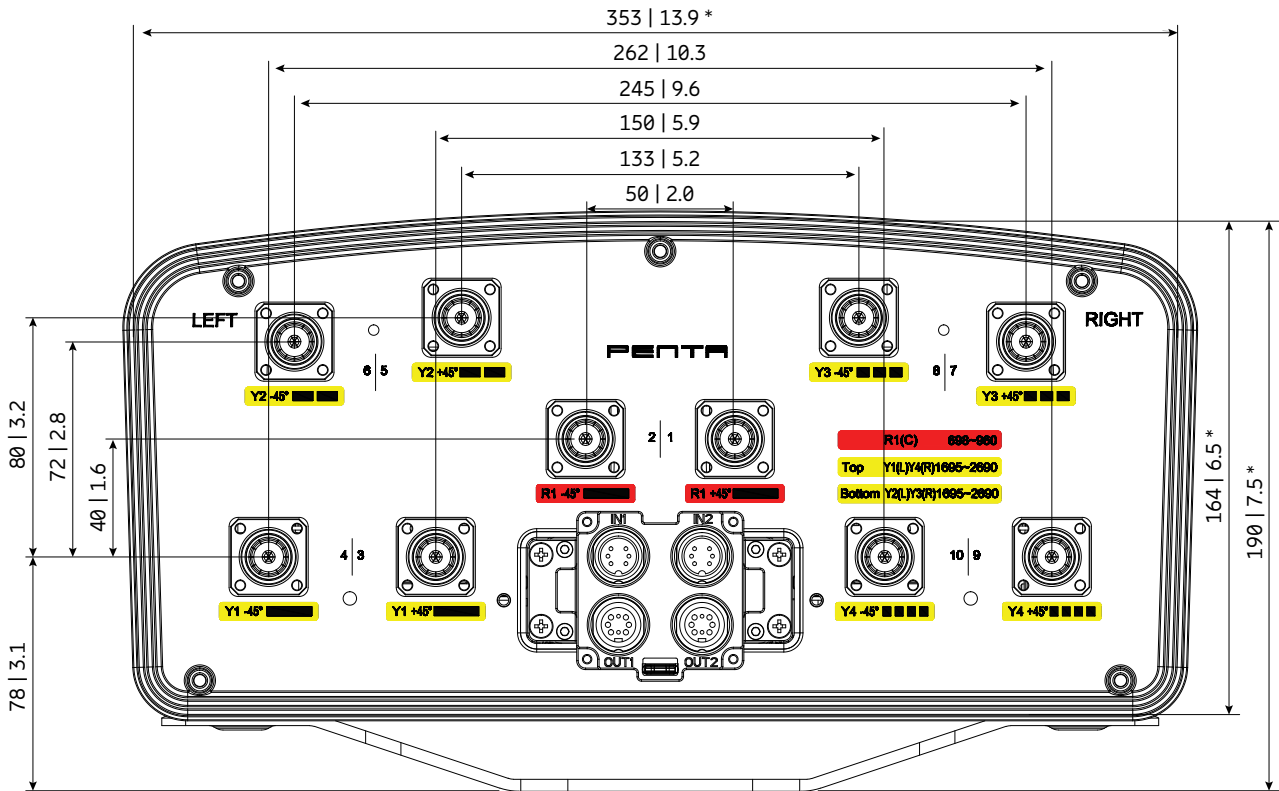
The metal parts of the antenna including the mounting kit and the inner conductors are DC grounded.



All dimensions  
in mm | inches



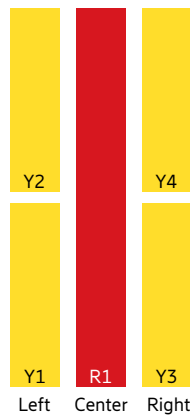
### Layout of interface

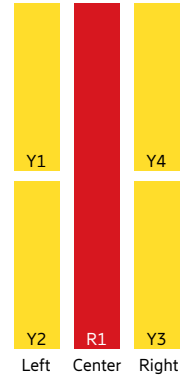


Bottom view

### Correlation Table

| Frequency range | Array | Connector / Ports |
|-----------------|-------|-------------------|
| 698–960 MHz     | R1    | 1–2               |
| 1695–2690 MHz   | Y1    | 3–4               |
| 1695–2690 MHz   | Y2    | 5–6               |
| 1695–2690 MHz   | Y3    | 7–8               |
| 1695–2690 MHz   | Y4    | 9–10              |





1LB nMB

# Antenna 3803 1L 4M 2.7m

KRE 101 2564/1

Capacity

Compact

Coverage

65° | 1x 698–960 MHz | 16.5 dBi  
65° | 4x 1695–2690 MHz | 17.0 dBi  
Electrical downtilt set by integrated RET



[ericsson.com/antenna-system](https://ericsson.com/antenna-system)



Scan or [click](#)

| Center, lowband                             |     | R1, connector 1–2                  |            |            |            |
|---|-----|------------------------------------|------------|------------|------------|
| Frequency Range                             | MHz | 698 – 806                          | 790 – 862  | 824 – 894  | 880 – 960  |
| Gain at mid Tilt                            | dBi | 15.8                               | 16.1       | 16.2       | 16.6       |
| Gain over all Tilts                         | dBi | 15.8 ± 0.5                         | 16.1 ± 0.3 | 16.2 ± 0.4 | 16.6 ± 0.5 |
| <b>Horizontal Pattern:</b>                  |     |                                    |            |            |            |
| Azimuth Beamwidth                           | °   | 73 ± 1.3                           | 72 ± 2.3   | 71 ± 2.6   | 68 ± 2.7   |
| Front-to-Back Ratio, Total Power, ± 30°     | dB  | > 25                               | > 25       | > 25       | > 24       |
| Cross Polar Discrimination at Boresight     | dB  | > 22                               | > 20       | > 20       | > 20       |
| Azimuth Beam Port-to-Port Tracking          | dB  | 1.0                                | 1.0        | 1.0        | 1.5        |
| <b>Vertical Pattern:</b>                    |     |                                    |            |            |            |
| Elevation Beamwidth                         | °   | 9.1 ± 0.6                          | 8.4 ± 0.4  | 8.2 ± 0.4  | 7.6 ± 0.5  |
| Electrical Downtilt continuously adjustable | °   | 1.0 – 10.0                         |            |            |            |
| Tilt Accuracy                               | °   | < 0.4                              | < 0.3      | < 0.3      | < 0.3      |
| First Upper Sidelobe Suppression            | dB  | > 19                               | > 19       | > 19       | > 18       |
| Intra-Cluster Isolation                     | dB  | > 28                               |            |            |            |
| Inter-Cluster Isolation                     | dB  | > 28 (R1 // Y1, Y2, Y3, Y4)        |            |            |            |
| Max. Effective Power per Port               | W   | 200 (at 40 °C ambient temperature) |            |            |            |
| Max. Effective Power Ports R1               | W   | 400 (at 40 °C ambient temperature) |            |            |            |

Values based on NGMN-P-BASTA (version 11.1) requirements.

| Left side, upper midband                    |     | Y1, connector 3–4                  |             |             |             |             |
|---|-----|------------------------------------|-------------|-------------|-------------|-------------|
| Frequency Range                             | MHz | 1695 – 1880                        | 1850 – 1990 | 1920 – 2180 | 2300 – 2400 | 2490 – 2690 |
| Gain at mid Tilt                            | dBi | 16.5                               | 16.7        | 16.8        | 16.9        | 17.1        |
| Gain over all Tilts                         | dBi | 16.5 ± 0.6                         | 16.7 ± 0.3  | 16.7 ± 0.6  | 16.8 ± 0.6  | 17.1 ± 0.7  |
| <b>Horizontal Pattern:</b>                  |     |                                    |             |             |             |             |
| Azimuth Beamwidth                           | °   | 63 ± 4.9                           | 62 ± 3.2    | 62 ± 3.6    | 61 ± 3.4    | 61 ± 3.4    |
| Front-to-Back Ratio, Total Power, ± 30°     | dB  | > 24                               | > 21        | > 20        | > 22        | > 23        |
| Cross Polar Discrimination at Boresight     | dB  | > 24                               | > 25        | > 19        | > 16        | > 17        |
| Azimuth Beam Port-to-Port Tracking          | dB  | 1.5                                | 2.0         | 2.5         | 2.0         | 4.0         |
| <b>Vertical Pattern:</b>                    |     |                                    |             |             |             |             |
| Elevation Beamwidth                         | °   | 8.0 ± 0.5                          | 7.6 ± 0.4   | 7.1 ± 0.5   | 6.3 ± 0.2   | 5.9 ± 0.3   |
| Electrical Downtilt continuously adjustable | °   | 2.0 – 12.0                         |             |             |             |             |
| Tilt Accuracy                               | °   | < 0.4                              | < 0.4       | < 0.4       | < 0.4       | < 0.4       |
| First Upper Sidelobe Suppression            | dB  | > 26                               | > 25        | > 23        | > 23        | > 22        |
| Intra-Cluster Isolation                     | dB  | > 28                               |             |             |             |             |
| Inter-Cluster Isolation                     | dB  | > 28 (Y1 // R1, Y2, Y3, Y4)        |             |             |             |             |
| Max. Effective Power per Port               | W   | 175 (at 40 °C ambient temperature) |             |             |             |             |
| Max. Effective Power Ports Y1               | W   | 300 (at 40 °C ambient temperature) |             |             |             |             |

Values based on NGMN-P-BASTA (version 11.1) requirements.

| Left side, lower midband                    |     | Y2, connector 5–6                  |             |             |             |             |
|---|-----|------------------------------------|-------------|-------------|-------------|-------------|
| Frequency Range                             | MHz | 1695 – 1880                        | 1850 – 1990 | 1920 – 2180 | 2300 – 2400 | 2490 – 2690 |
| Gain at mid Tilt                            | dBi | 17.0                               | 17.3        | 17.3        | 17.4        | 17.4        |
| Gain over all Tilts                         | dBi | 16.9 ± 0.7                         | 17.2 ± 0.4  | 17.2 ± 0.6  | 17.3 ± 0.6  | 17.4 ± 0.7  |
| <b>Horizontal Pattern:</b>                  |     |                                    |             |             |             |             |
| Azimuth Beamwidth                           | °   | 62 ± 6.0                           | 60 ± 3.2    | 60 ± 3.4    | 62 ± 3.5    | 62 ± 3.6    |
| Front-to-Back Ratio, Total Power, ± 30°     | dB  | > 24                               | > 21        | > 20        | > 24        | > 22        |
| Cross Polar Discrimination at Boresight     | dB  | > 26                               | > 25        | > 19        | > 17        | > 18        |
| Azimuth Beam Port-to-Port Tracking          | dB  | 2.0                                | 2.5         | 3.5         | 2.0         | 5.5         |
| <b>Vertical Pattern:</b>                    |     |                                    |             |             |             |             |
| Elevation Beamwidth                         | °   | 8.0 ± 0.6                          | 7.4 ± 0.4   | 7.0 ± 0.7   | 6.2 ± 0.4   | 5.8 ± 0.3   |
| Electrical Downtilt continuously adjustable | °   | 2.0 – 12.0                         |             |             |             |             |
| Tilt Accuracy                               | °   | < 0.5                              | < 0.6       | < 0.6       | < 0.6       | < 0.6       |
| First Upper Sidelobe Suppression            | dB  | > 25                               | > 23        | > 22        | > 22        | > 20        |
| Intra-Cluster Isolation                     | dB  | > 28                               |             |             |             |             |
| Inter-Cluster Isolation                     | dB  | > 28 (Y2 // R1, Y1, Y3, Y4)        |             |             |             |             |
| Max. Effective Power per Port               | W   | 175 (at 40 °C ambient temperature) |             |             |             |             |
| Max. Effective Power Ports Y2               | W   | 300 (at 40 °C ambient temperature) |             |             |             |             |

Values based on NGMN-P-BASTA (version 11.1) requirements.

| Right side, lower midband                   |     | Y3, connector 7–8                  |             |             |             |             |
|---|-----|------------------------------------|-------------|-------------|-------------|-------------|
| Frequency Range                             | MHz | 1695 – 1880                        | 1850 – 1990 | 1920 – 2180 | 2300 – 2400 | 2490 – 2690 |
| Gain at mid Tilt                            | dBi | 17.0                               | 17.4        | 17.4        | 17.4        | 17.5        |
| Gain over all Tilts                         | dBi | 17.0 ± 0.7                         | 17.3 ± 0.6  | 17.3 ± 0.7  | 17.3 ± 0.7  | 17.5 ± 0.8  |
| <b>Horizontal Pattern:</b>                  |     |                                    |             |             |             |             |
| Azimuth Beamwidth                           | °   | 62 ± 6.0                           | 60 ± 4.5    | 60 ± 4.5    | 63 ± 2.8    | 63 ± 3.4    |
| Front-to-Back Ratio, Total Power, ± 30°     | dB  | > 24                               | > 23        | > 21        | > 22        | > 21        |
| Cross Polar Discrimination at Boresight     | dB  | > 27                               | > 24        | > 19        | > 18        | > 18        |
| Azimuth Beam Port-to-Port Tracking          | dB  | 2.5                                | 2.5         | 3.5         | 2.0         | 4.5         |
| <b>Vertical Pattern:</b>                    |     |                                    |             |             |             |             |
| Elevation Beamwidth                         | °   | 8.0 ± 0.5                          | 7.4 ± 0.4   | 7.0 ± 0.6   | 6.2 ± 0.3   | 5.8 ± 0.3   |
| Electrical Downtilt continuously adjustable | °   | 2.0 – 12.0                         |             |             |             |             |
| Tilt Accuracy                               | °   | < 0.7                              | < 0.7       | < 0.7       | < 0.7       | < 0.8       |
| First Upper Sidelobe Suppression            | dB  | > 24                               | > 22        | > 21        | > 19        | > 19        |
| Intra-Cluster Isolation                     | dB  | > 28                               |             |             |             |             |
| Inter-Cluster Isolation                     | dB  | > 28 (Y3 // R1, Y1, Y2, Y4)        |             |             |             |             |
| Max. Effective Power per Port               | W   | 175 (at 40 °C ambient temperature) |             |             |             |             |
| Max. Effective Power Ports Y3               | W   | 300 (at 40 °C ambient temperature) |             |             |             |             |

Values based on NGMN-P-BASTA (version 11.1) requirements.

## Right side, upper midband

## Y4, connector 9–10

| Frequency Range                             | MHz | 1695 – 1880                        | 1850 – 1990 | 1920 – 2180 | 2300 – 2400 | 2490 – 2690 |
|---|-----|------------------------------------|-------------|-------------|-------------|-------------|
| Gain at mid Tilt                            | dBi | 16.7                               | 16.9        | 16.9        | 17.0        | 17.2        |
| Gain over all Tilts                         | dBi | 16.6 ± 0.7                         | 16.8 ± 0.6  | 16.8 ± 0.6  | 17.0 ± 0.7  | 17.2 ± 0.6  |
| <b>Horizontal Pattern:</b>                  |     |                                    |             |             |             |             |
| Azimuth Beamwidth                           | °   | 63 ± 5.8                           | 61 ± 3.8    | 62 ± 3.3    | 61 ± 2.9    | 62 ± 3.5    |
| Front-to-Back Ratio, Total Power, ± 30°     | dB  | > 23                               | > 23        | > 22        | > 21        | > 22        |
| Cross Polar Discrimination at Boresight     | dB  | > 25                               | > 26        | > 18        | > 17        | > 17        |
| Azimuth Beam Port-to-Port Tracking          | dB  | 2.5                                | 2.0         | 3.0         | 2.0         | 4.5         |
| <b>Vertical Pattern:</b>                    |     |                                    |             |             |             |             |
| Elevation Beamwidth                         | °   | 8.0 ± 0.5                          | 7.5 ± 0.4   | 7.1 ± 0.5   | 6.3 ± 0.3   | 5.9 ± 0.3   |
| Electrical Downtilt continuously adjustable | °   | 2.0 – 12.0                         |             |             |             |             |
| Tilt Accuracy                               | °   | < 0.7                              | < 0.7       | < 0.7       | < 0.7       | < 0.8       |
| First Upper Sidelobe Suppression            | dB  | > 25                               | > 26        | > 24        | > 22        | > 20        |
| Intra-Cluster Isolation                     | dB  | > 28                               |             |             |             |             |
| Inter-Cluster Isolation                     | dB  | > 28 (Y4 // R1, Y1, Y2, Y3)        |             |             |             |             |
| Max. Effective Power per Port               | W   | 175 (at 40 °C ambient temperature) |             |             |             |             |
| Max. Effective Power Ports Y4               | W   | 300 (at 40 °C ambient temperature) |             |             |             |             |

Values based on NGMN-P-BASTA (version 11.1) requirements.

## Electrical specifications, all ports

|                                      |            |                                    |
|--------------------------------------|------------|------------------------------------|
| Impedance                            | $\Omega$   | 50                                 |
| VSWR                                 |            | < 1.5                              |
| Return Loss                          | dB         | > 14                               |
| Inter-Cluster Isolation              | dB         | > 28                               |
| Passive Intermodulation              | dBc        | < -153 (2 x 43 dBm carrier)        |
| Polarization                         | $^{\circ}$ | +45, -45                           |
| Max. Effective Power for the Antenna | W          | 700 (at 40 °C ambient temperature) |

Values based on NGMN-P-BASTA (version 11.1) requirements.

## Mechanical specifications

|   |  |  |
|---|--|--|
| Input                                     | 10x 4.3-10 female  |  |
| Connector Position                        | bottom   |  |
| Adjustment Mechanism                      | Integrated RET, continuously adjustable  |  |
| Wind load (at Rated Wind Speed: 150 km/h) | N   lbf  | Frontal: 1106   249<br>Lateral: 1139   256             |
| Wind Load Standard                        | EN 1994-1-4  |  |
| Wind Load Laboratory                      | TU Dresden;<br>Göttinger-type wind tunnel  |  |
| Max. Wind Velocity                        | km/h<br>mph  | 241<br>150   |
| Height / Width / Depth                    | mm<br>inches   | 2697 / 353 / 164<br>106.2 / 13.9 / 6.5                 |
| Category of Mounting Hardware             | H (Heavy)  |  |
| Weight                                    | kg<br>lb   | 38.3 / 41.3 (clamps incl.)<br>84.4 / 91 (clamps incl.) |
| Packing Size                              | mm<br>inches   | 2910 / 377 / 210<br>114.6 / 14.8 / 8.3                 |
| Scope of Supply                           | Panel, integrated RET and<br>2 units of clamps for<br>55–115 mm  <br>2.2–4.5 inches diameter |  |

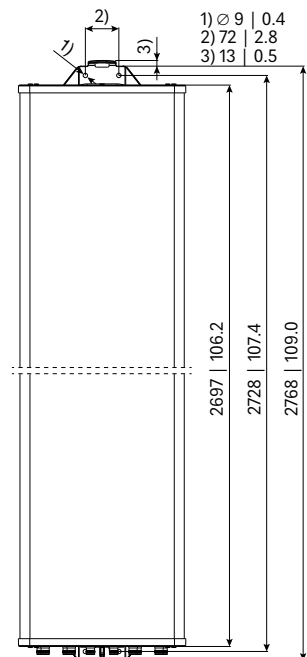
## Accessories (order separately if required)

| Product No. | Description    | Remarks<br>mm   inches                | Units per antenna |
|-------------|----------------|---------------------------------------|-------------------|
| 85010002    | 1 clamp        | Mast diameter: 110 – 220   4.3 – 8.7  | 2                 |
| 85010003    | 1 clamp        | Mast diameter: 210 – 380   8.3 – 15.0 | 2                 |
| 85010009    | 1 downtilt kit | Downtilt angle: 0°–8°                 | 1                 |

For downtilt mounting use the clamps for an appropriate mast diameter together with the downtilt kit.  
Wall mounting: No additional mounting kit needed.

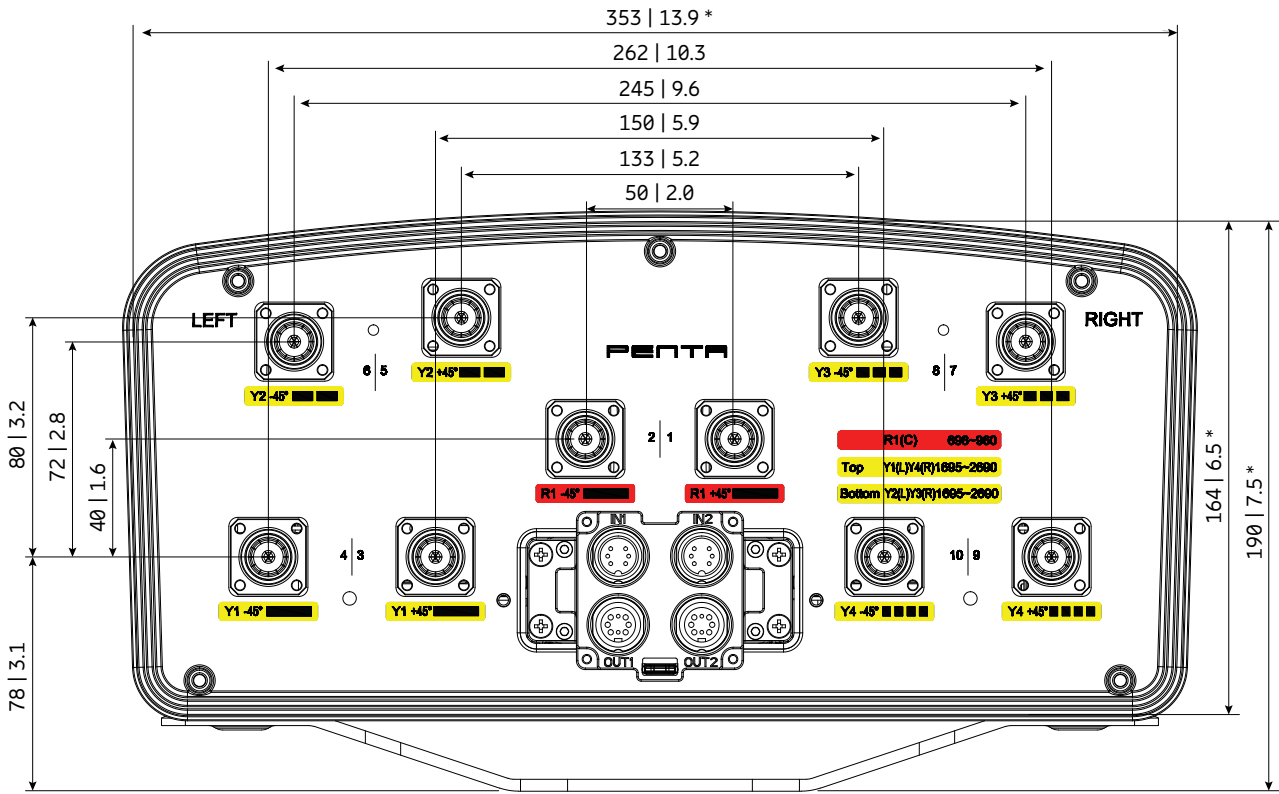
**Material:**  
**Reflector screen:** Aluminum.  
**Fiberglass housing:** It covers totally the internal antenna components. The special design reduces the sealing areas to a minimum and guarantees the best weather protection. Fiberglass material guarantees optimum performance with regards to stability, stiffness, UV resistance and painting. The color of the radome is light grey.  
**All nuts and bolts:** Stainless steel or hot-dip galvanized steel.

**Grounding:** The metal parts of the antenna including the mounting kit and the inner conductors are DC grounded.



All dimensions  
in mm | inches

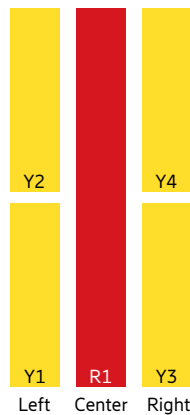
### Layout of interface



Bottom view  
 \* Dimensions refer to radome  
 All dimensions in mm | inches

### Correlation Table

| Frequency range | Array | Connector / Ports |
|-----------------|-------|-------------------|
| 698–960 MHz     | R1    | 1–2               |
| 1695–2690 MHz   | Y1    | 3–4               |
| 1695–2690 MHz   | Y2    | 5–6               |
| 1695–2690 MHz   | Y3    | 7–8               |
| 1695–2690 MHz   | Y4    | 9–10              |





# Antenna 3890 1L 4M 2.7m

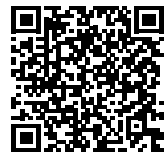
KRE 101 2458/1

Capacity    Compact    Coverage

65° | 1x 698–960 MHz | 16.0 dBi  
32° | 4x 1695–2690 MHz | 20.0 dBi  
Electrical downtilt set by integrated RET



[ericsson.com/antenna-system](https://ericsson.com/antenna-system)



Scan or [click](#)

1LB nMB



| Left side, lowband                          |     | R1, connector 1–2                  |            |            |
|---|-----|------------------------------------|------------|------------|
| Frequency Range                             | MHz | 698 – 824                          | 790 – 894  | 880 – 960  |
| Gain at mid Tilt                            | dBi | 15.6                               | 15.9       | 16.0       |
| Gain over all Tilts                         | dBi | 15.6 ± 0.4                         | 15.8 ± 0.1 | 15.9 ± 0.3 |
| <b>Horizontal Pattern:</b>                  |     |                                    |            |            |
| Azimuth Beamwidth                           | °   | 65 ± 3.0                           | 66 ± 2.3   | 64 ± 4.5   |
| Front-to-Back Ratio, Total Power, ± 30°     | dB  | > 23                               | > 23       | > 23       |
| <b>Vertical Pattern:</b>                    |     |                                    |            |            |
| Elevation Beamwidth                         | °   | 9.1 ± 0.7                          | 8.1 ± 0.4  | 7.6 ± 0.6  |
| Electrical Downtilt continuously adjustable | °   | 2.0 – 12.0                         |            |            |
| Tilt Accuracy                               | °   | < 0.4                              | < 0.4      | < 0.5      |
| First Upper Sidelobe Suppression            | dB  | > 18                               | > 18       | > 18       |
| Intra-Cluster Isolation                     | dB  | > 26                               |            |            |
| Port to Port Isolation                      | dB  | > 28 (R1 // Y1, Y2, Y3, Y4)        |            |            |
| Max. Effective Power per Port               | W   | 350 (at 50 °C ambient temperature) |            |            |

Values based on NGMN-P-BASTA (version 11.1) requirements.

| Left side, lower midband                    |     | Y1, connector 3–4                  |             |             |             |             |
|---|-----|------------------------------------|-------------|-------------|-------------|-------------|
| Frequency Range                             | MHz | 1695 – 1880                        | 1850 – 1990 | 1920 – 2170 | 2300 – 2400 | 2490 – 2690 |
| Gain at mid Tilt                            | dBi | 18.8                               | 19.4        | 19.7        | 19.9        | 20.2        |
| Gain over all Tilts                         | dBi | 18.8 ± 1.1                         | 19.3 ± 0.7  | 19.6 ± 1.0  | 19.9 ± 0.8  | 20.1 ± 0.9  |
| <b>Horizontal Pattern:</b>                  |     |                                    |             |             |             |             |
| Horizontal Beam Centers                     | °   | ±29                                | ±27         | ±26         | ±23         | ±22         |
| Azimuth Beamwidth                           | °   | 35 ± 3.3                           | 34 ± 1.4    | 33 ± 2.7    | 26 ± 1.3    | 24 ± 1.0    |
| Front-to-Back Ratio, Total Power, ± 30°     | dB  | > 28                               | > 30        | > 31        | > 31        | > 31        |
| <b>Vertical Pattern:</b>                    |     |                                    |             |             |             |             |
| Elevation Beamwidth                         | °   | 7.9 ± 0.4                          | 7.4 ± 0.3   | 7.0 ± 0.5   | 6.3 ± 0.2   | 5.7 ± 0.3   |
| Electrical Downtilt continuously adjustable | °   | 2.0 – 12.0                         |             |             |             |             |
| Tilt Accuracy                               | °   | < 0.8                              | < 0.7       | < 0.6       | < 0.6       | < 0.6       |
| First Upper Sidelobe Suppression            | dB  | > 20                               | > 20        | > 20        | > 19        | > 20        |
| Intra-Cluster Isolation                     | dB  | > 25                               |             |             |             |             |
| Port to Port Isolation                      | dB  | > 28 (Y1 // R1, Y2, Y3, Y4)        |             |             |             |             |
| Max. Effective Power per Port               | W   | 250 (at 50 °C ambient temperature) |             |             |             |             |

Values based on NGMN-P-BASTA (version 11.1) requirements.

| Left side, upper midband                    |     | Y2, connector 5–6                  |             |             |             |             |
|---|-----|------------------------------------|-------------|-------------|-------------|-------------|
| Frequency Range                             | MHz | 1695 – 1880                        | 1850 – 1990 | 1920 – 2170 | 2300 – 2400 | 2490 – 2690 |
| Gain at mid Tilt                            | dBi | 18.2                               | 18.9        | 19.2        | 19.5        | 19.7        |
| Gain over all Tilts                         | dBi | 18.2 ± 1.0                         | 18.9 ± 0.8  | 19.2 ± 0.8  | 19.5 ± 0.8  | 19.6 ± 0.9  |
| <b>Horizontal Pattern:</b>                  |     |                                    |             |             |             |             |
| Horizontal Beam Centers                     | °   | ±30                                | ±28         | ±27         | ±23         | ±22         |
| Azimuth Beamwidth                           | °   | 37 ± 2.6                           | 34 ± 1.6    | 32 ± 2.0    | 26 ± 1.2    | 22 ± 1.6    |
| Front-to-Back Ratio, Total Power, ± 30°     | dB  | > 28                               | > 31        | > 31        | > 30        | > 31        |
| <b>Vertical Pattern:</b>                    |     |                                    |             |             |             |             |
| Elevation Beamwidth                         | °   | 8.1 ± 0.5                          | 7.5 ± 0.3   | 7.1 ± 0.4   | 6.3 ± 0.2   | 5.8 ± 0.3   |
| Electrical Downtilt continuously adjustable | °   | 2.0 – 12.0                         |             |             |             |             |
| Tilt Accuracy                               | °   | < 0.8                              | < 0.6       | < 0.5       | < 0.5       | < 0.6       |
| First Upper Sidelobe Suppression            | dB  | > 21                               | > 22        | > 21        | > 20        | > 20        |
| Intra-Cluster Isolation                     | dB  | > 25                               |             |             |             |             |
| Port to Port Isolation                      | dB  | > 28 (Y2 // R1, Y1, Y3, Y4)        |             |             |             |             |
| Max. Effective Power per Port               | W   | 250 (at 50 °C ambient temperature) |             |             |             |             |

Values based on NGMN-P-BASTA (version 11.1) requirements.

| Right side, lower midband                   |     | Y3, connector 7–8                  |             |             |             |             |
|---|-----|------------------------------------|-------------|-------------|-------------|-------------|
| Frequency Range                             | MHz | 1695 – 1880                        | 1850 – 1990 | 1920 – 2170 | 2300 – 2400 | 2490 – 2690 |
| Gain at mid Tilt                            | dBi | 18.8                               | 19.4        | 19.8        | 19.8        | 20.2        |
| Gain over all Tilts                         | dBi | 18.8 ± 1.0                         | 19.4 ± 0.8  | 19.7 ± 1.0  | 19.8 ± 0.8  | 20.2 ± 1.1  |
| <b>Horizontal Pattern:</b>                  |     |                                    |             |             |             |             |
| Horizontal Beam Centers                     | °   | ±29                                | ±27         | ±26         | ±23         | ±22         |
| Azimuth Beamwidth                           | °   | 37 ± 4.2                           | 33 ± 1.6    | 31 ± 2.6    | 27 ± 1.4    | 24 ± 1.0    |
| Front-to-Back Ratio, Total Power, ± 30°     | dB  | > 26                               | > 27        | > 29        | > 30        | > 29        |
| <b>Vertical Pattern:</b>                    |     |                                    |             |             |             |             |
| Elevation Beamwidth                         | °   | 8.0 ± 0.5                          | 7.5 ± 0.3   | 7.1 ± 0.6   | 6.5 ± 0.2   | 6.0 ± 0.5   |
| Electrical Downtilt continuously adjustable | °   | 2.0 – 12.0                         |             |             |             |             |
| Tilt Accuracy                               | °   | < 0.5                              | < 0.7       | < 0.7       | < 0.6       | < 0.7       |
| First Upper Sidelobe Suppression            | dB  | > 22                               | > 25        | > 27        | > 25        | > 18        |
| Intra-Cluster Isolation                     | dB  | > 25                               |             |             |             |             |
| Port to Port Isolation                      | dB  | > 28 (Y3 // R1, Y2, Y1, Y4)        |             |             |             |             |
| Max. Effective Power per Port               | W   | 250 (at 50 °C ambient temperature) |             |             |             |             |

Values based on NGMN-P-BASTA (version 11.1) requirements.

## Right side, upper midband

## Y4, connector 9–10

| Frequency Range                             | MHz | 1695 – 1880                        | 1850 – 1990 | 1920 – 2170 | 2300 – 2400 | 2490 – 2690 |
|---|-----|------------------------------------|-------------|-------------|-------------|-------------|
| Gain at mid Tilt                            | dBi | 18.2                               | 18.8        | 19.1        | 19.1        | 19.7        |
| Gain over all Tilts                         | dBi | 18.2 ± 1.0                         | 18.8 ± 0.7  | 19.1 ± 0.9  | 19.2 ± 0.8  | 19.7 ± 0.9  |
| <b>Horizontal Pattern:</b>                  |     |                                    |             |             |             |             |
| Horizontal Beam Centers                     | °   | ±30                                | ±28         | ±27         | ±23         | ±22         |
| Azimuth Beamwidth                           | °   | 37 ± 4.1                           | 33 ± 1.5    | 31 ± 2.1    | 26 ± 1.2    | 24 ± 1.2    |
| Front-to-Back Ratio, Total Power, ± 30°     | dB  | > 26                               | > 29        | > 29        | > 31        | > 30        |
| <b>Vertical Pattern:</b>                    |     |                                    |             |             |             |             |
| Elevation Beamwidth                         | °   | 8.2 ± 0.5                          | 7.6 ± 0.3   | 7.2 ± 0.5   | 6.5 ± 0.3   | 5.9 ± 0.4   |
| Electrical Downtilt continuously adjustable | °   | 2.0 – 12.0                         |             |             |             |             |
| Tilt Accuracy                               | °   | < 0.9                              | < 0.9       | < 0.8       | < 0.7       | < 0.8       |
| First Upper Sidelobe Suppression            | dB  | > 21                               | > 25        | > 24        | > 22        | > 18        |
| Intra-Cluster Isolation                     | dB  | > 25                               |             |             |             |             |
| Port to Port Isolation                      | dB  | > 28 (Y4 // R1, Y2, Y3, Y1)        |             |             |             |             |
| Max. Effective Power per Port               | W   | 250 (at 50 °C ambient temperature) |             |             |             |             |

Values based on NGMN-P-BASTA (version 11.1) requirements.

## Electrical specifications, all ports

|                                      |            |                                     |
|--------------------------------------|------------|-------------------------------------|
| Impedance                            | $\Omega$   | 50                                  |
| VSWR                                 |            | < 1.5                               |
| Return Loss                          | dB         | > 14                                |
| Inter-Cluster Isolation              | dB         | > 28                                |
| Beam to Beam Isolation               | dB         | > 16                                |
| Passive Intermodulation              | dBc        | < -153 (2 x 43 dBm carrier)         |
| Polarization                         | $^{\circ}$ | +45, -45 $^{\circ}$                 |
| Max. Effective Power for the Antenna | W          | 1000 (at 50 °C ambient temperature) |

Values based on NGMN-P-BASTA (version 11.1) requirements.

## Material:

## Reflector screen and dipoles:

Aluminum.

**Fiberglass housing:** It covers totally the internal antenna components. The special design reduces the sealing areas to a minimum and guarantees the best weather protection. Fiberglass material guarantees optimum performance with regards to stability, stiffness, UV resistance and painting. The color of the radome is light grey.

**All nuts and bolts:** Stainless steel or hot-dip galvanized steel.

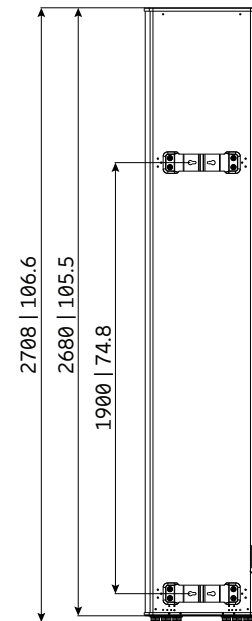
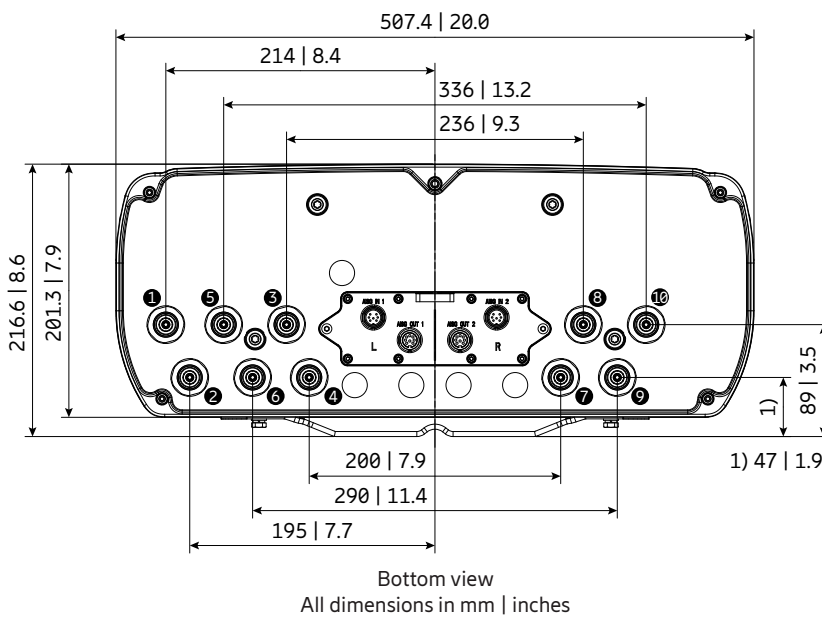
## Grounding:

The metal parts of the antenna including the mounting kit and the inner conductors are DC grounded.

## Mechanical specifications

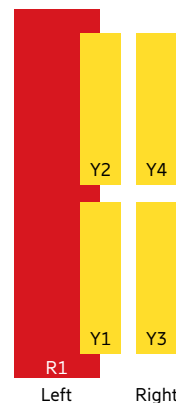
|   |  |  |
|---|--|--|
| Input                                     | 10x 4.3-10 female  |  |
| Connector Position                        | bottom   |  |
| Adjustment Mechanism                      | Integrated RET, continuously adjustable  |  |
| Wind load (at Rated Wind Speed: 150 km/h) | N   lbf  | Frontal: 1670   375<br>Maximal: 1670   375                 |
| Wind Load Standard                        | EN 1994-1-4  |  |
| Wind Load Laboratory                      | TU Dresden; Göttinger-type wind tunnel   |  |
| Max. Wind Velocity                        | km/h<br>mph  | 241<br>150   |
| Height / Width / Depth                    | mm<br>inches   | 2680 / 498 / 192<br>105.5 / 19.6 / 7.6                     |
| Weight (approx.)                          | kg<br>lb   | 48.2 / 56.2 (clamps incl.)<br>106.2 / 123.8 (clamps incl.) |
| Packing Size                              | mm<br>inches   | 2930 / 550 / 265<br>115.4 / 21.7 / 10.4                    |
| Scope of Supply                           | Antenna, mounting kit (50–115 mm) incl. mech. Tilt-kit (0°–10°) SXA 216 2866/1, integr. RET KRY 121 78/3 |  |

## Layout of interface



## Correlation Table

| Frequency range | Array | Connector / Ports |
|-----------------|-------|-------------------|
| 698–960 MHz     | R1    | 1–2               |
| 1695–2690 MHz   | Y1    | 3–4               |
| 1695–2690 MHz   | Y2    | 5–6               |
| 1695–2690 MHz   | Y3    | 7–8               |
| 1695–2690 MHz   | Y4    | 9–10              |



# Multi-Band Configuration

## 2LB nMB

Capacity

Compact

Coverage

| Product Name<br>Product No.               | Frequency MHz                              | HPBW °         | Gain dBi             | Tilt °                   | Connector type | Page                | 3C       |
|---|--|----------------|----------------------|--------------------------|----------------|---------------------|----------|
| 2x Lowband   2x Midband                   |  |                |                      |                          |                |                     |          |
| Antenna 4000 2L 2M 1.5m<br>80010964       | 2x 698–960<br>2x 1695–2690                 | 65<br>65       | 14.0<br>17.5         | 2–16<br>2.5–12           | 4.3-10         | <a href="#">172</a> | Capacity |
| Antenna 4000 2L 2M 2.0m<br>80010965       | 2x 698–960<br>2x 1695–2690                 | 65<br>65       | 15.5<br>18.0         | 2–12<br>2.5–12           | 4.3-10         | <a href="#">177</a> | Capacity |
| Antenna 4006 2L 2M 1.5m<br>KRE 101 2574/1 | 2x 698–960<br>2x 1695–2690                 | 65<br>65       | 14.6<br>16.8         | 2–16<br>2–12             | 4.3-10         | <a href="#">182</a> | Capacity |
| Antenna 4006 2L 2M 2.0m<br>KRE 101 2565/1 | 2x 698–960<br>2x 1695–2690                 | 65<br>65       | 15.0<br>17.0         | 2–12<br>2–12             | 4.3-10         | <a href="#">187</a> | Capacity |
| Antenna 4002 2L 2M 2.0m<br>800372965      | 2x 698–960<br>2x 1427–2690                 | 65<br>65       | 15.4<br>17.9         | 2.5–11.5<br>2–12         | 4.3-10         | <a href="#">192</a> | Compact  |
| Antenna 4000 2L 2M 1.8m<br>840480965      | 2x 698–894<br>2x 1695–2360                 | 65<br>65       | 15.0<br>19.0         | 2.5–10<br>1–10           | 4.3-10         | <a href="#">197</a> | Coverage |
| Antenna 4000 2L 2M 2.4m<br>80010966       | 2x 698–960<br>2x 1695–2690                 | 65<br>65       | 16.5<br>18.0         | 1–10<br>2.5–12           | 4.3-10         | <a href="#">202</a> | Coverage |
| Antenna 4001 2L 2M 2.4m<br>840370966      | 2x 698–894<br>2x 1695–2360                 | 65<br>65       | 15.5<br>18.0         | 1–10<br>2.5–12           | 4.3-10         | <a href="#">207</a> | Coverage |
| Antenna 4002 2L 2M 2.4m<br>840480966      | 2x 698–894<br>2x 1695–2360                 | 65<br>65       | 16.5<br>19.0         | 2.5–10<br>2.5–12         | 4.3-10         | <a href="#">212</a> | Coverage |
| Antenna 4002 2L 2M 2.6m<br>800372966      | 2x 698–960<br>2x 1427–2690                 | 65<br>65       | 16.4<br>17.9         | 2.5–10<br>2–12           | 4.3-10         | <a href="#">217</a> | Coverage |
| Antenna 4003 2L 2M 2.4m<br>840590966      | 2x 617–894<br>2x 1695–2690                 | 65<br>65       | 16.0<br>18.0         | 2–10<br>1–11             | 4.3-10         | <a href="#">222</a> | Coverage |
| Antenna 4004 2L 2M 1.5m<br>KRE 101 2540/1 | 2x 698–894<br>2x 1695–2360                 | 65<br>65       | 14.0<br>19.0         | 2–15<br>0–12             | 4.3-10         | <a href="#">227</a> | Coverage |
| Antenna 4004 2L 2M 1.8m<br>KRE 101 2473/1 | 2x 617–894<br>2x 1695–2690                 | 65<br>65       | 15.5<br>18.0         | 4–13<br>1–11             | 4.3-10         | <a href="#">232</a> | Coverage |
| Antenna 4004 2L 2M 2.6m<br>KRE 101 2566/1 | 2x 698–960<br>2x 1695–2690                 | 65<br>65       | 16.0<br>17.5         | 1–10<br>2–12             | 4.3-10         | <a href="#">237</a> | Coverage |
| 2x Lowband   3x Midband                   |  |                |                      |                          |                |                     |          |
| Antenna 4400 2L 3M 1.5m<br>800442004      | 2x 698–960<br>2x 1427–2690<br>1x 1695–2690 | 65<br>65<br>65 | 14.6<br>17.6<br>17.7 | 2–14<br>2–12<br>2–12     | 4.3-10         | <a href="#">242</a> | Compact  |
| Antenna 4401 2L 3M 2.0m<br>KRE 101 2476/1 | 2x 698–960<br>2x 1427–2690<br>1x 1695–2690 | 65<br>65<br>65 | 15.9<br>17.6<br>17.6 | 2.5–11.5<br>2–12<br>2–12 | 4.3-10         | <a href="#">248</a> | Compact  |

2LB nMB

New product

# Multi-Band Configuration

## 2LB nMB

Capacity

Compact

Coverage

| Product Name<br>Product No.               | Frequency MHz                              | HPBW °         | Gain dBi             | Tilt °                   | Connector type | Page                | 3C       |
|---|--|----------------|----------------------|--------------------------|----------------|---------------------|----------|
| 2x Lowband   4x Midband                   |  |                |                      |                          |                |                     |          |
| Antenna 4200 2L 4M 2.0m<br>80010991       | 2x 698–960<br>4x 1695–2690                 | 65<br>65       | 15.5<br>16.5         | 2–12<br>2–14             | 4.3-10         | <a href="#">254</a> | Capacity |
| Antenna 4207 2L 4M 2.0m<br>KE 101 2567/1  | 2x 698–960<br>4x 1695–2690                 | 65<br>65       | 15.0<br>16.0         | 2–12<br>2–12             | 4.3-10         | <a href="#">260</a> | Capacity |
| Antenna 4800 2L 4M 1.5m<br>800482001      | 2x 698–960<br>2x 1427–2690<br>2x 1695–2690 | 65<br>65<br>65 | 14.6<br>17.8<br>17.2 | 2–12<br>2–12<br>2–12     | 4.3-10         | <a href="#">266</a> | Capacity |
| Antenna 4800 2L 4M 2.0m<br>800482002      | 2x 698–960<br>2x 1427–2690<br>2x 1695–2690 | 65<br>65<br>65 | 15.8<br>17.8<br>17.5 | 2.5–11.5<br>2–12<br>2–12 | 4.3-10         | <a href="#">272</a> | Capacity |
| Antenna 4805 2L 4M 1.5m<br>KRE 101 2575/1 | 2x 698–960<br>4x 1695–2690                 | 65<br>65       | 14.0<br>17.0         | 2–16<br>2–12             | 4.3-10         | <a href="#">278</a> | Capacity |
| Antenna 4200 2L 4M 2.4m<br>840370799      | 2x 698–894<br>4x 1695–2360                 | 65<br>65       | 15.5<br>17.0         | 1–10<br>2.5–12           | 4.3-10         | <a href="#">284</a> | Compact  |
| Antenna 4202 2L 4M 2.0m<br>800372991      | 2x 698–960<br>2x 1695–2690<br>2x 1427–2690 | 65<br>65<br>65 | 15.0<br>16.0<br>16.0 | 2.5–11.5<br>2–12<br>2–12 | 4.3-10         | <a href="#">290</a> | Compact  |
| Antenna 4202 2L 4M 2.6m<br>800372992      | 2x 698–960<br>2x 1427–2690<br>2x 1695–2690 | 65<br>65<br>65 | 16.4<br>17.6<br>16.8 | 2.5–10<br>2–12<br>2–12   | 4.3-10         | <a href="#">296</a> | Compact  |
| Antenna 4200 2L 4M 2.7m<br>80010992       | 2x 698–960<br>4x 1695–2690                 | 65<br>65       | 16.5<br>17.5         | 1–10<br>2.5–12           | 4.3-10         | <a href="#">302</a> | Coverage |
| Antenna 4207 2L 4M 2.6m<br>KRE 101 2568/1 | 2x 698–960<br>4x 1695–2690                 | 65<br>65       | 16.5<br>17.0         | 1–10<br>2–12             | 4.3-10         | <a href="#">308</a> | Coverage |
| Antenna 4800 2L 4M 1.8m<br>KRE 101 2526/1 | 2x 698–894<br>4x 1695–2360                 | 65<br>65       | 15.0<br>19.0         | 2.5–12<br>0–10           | 4.3-10         | <a href="#">314</a> | Coverage |
| Antenna 4800 2L 4M 2.4m<br>840590003      | 2x 617–894<br>4x 1695–2690                 | 65<br>65       | 16.0<br>18.5         | 2–10<br>1.5–11           | 4.3-10         | <a href="#">320</a> | Coverage |
| Antenna 4800 2L 4M 2.6m<br>KRE 101 2520/1 | 2x 698–960<br>2x 1427–2690<br>2x 1695–2690 | 65<br>65<br>65 | 16.8<br>17.7<br>17.9 | 2.5–10<br>2–12<br>2–12   | 4.3-10         | <a href="#">326</a> | Coverage |
| Antenna 4801 2L 4M 2.4m<br>KRE 101 2487/1 | 2x 698–894<br>4x 1695–2360                 | 65<br>65       | 16.0<br>19.0         | 2.5–10<br>0–10           | 4.3-10         | <a href="#">332</a> | Coverage |
| Antenna 4802 2L 4M 1.5m<br>KRE 101 2527/1 | 2x 698–894<br>4x 1695–2360                 | 65<br>65       | 14.0<br>19.0         | 2.5–10<br>0–12           | 4.3-10         | <a href="#">338</a> | Coverage |

2LB nMB

New product

# Multi-Band Configuration

## 2LB nMB

Capacity

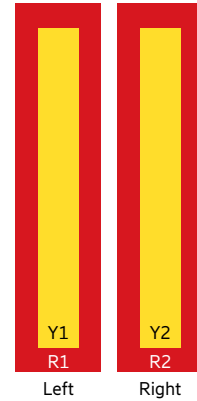
Compact

Coverage

| Product Name<br>Product No.                          | Frequency MHz | HPBW ° | Gain dBi | Tilt °   | Connector type | Page                | 3C |
|--|---------------|--------|----------|----------|----------------|---------------------|----|
| <b>2x Lowband   5x Midband</b>                       |               |        |          |          |                |                     |    |
| <a href="#">Antenna 4500 2L 5M 2.0m</a><br>800442025 | 2x 698–960    | 65     | 15.9     | 2.5–11.5 | 4.3-10         | <a href="#">344</a> |    |
|  | 2x 1427–2180  | 65     | 17.0     | 2–12     |                |                     |    |
|  | 2x 2490–2690  | 65     | 17.0     | 2–12     |                |                     |    |
|  | 1x 1695–2690  | 65     | 17.6     | 2–12     |                |                     |    |
| <b>2x Lowband   6x Midband</b>                       |               |        |          |          |                |                     |    |
| <a href="#">Antenna 4600 2L 6M 2.6m</a><br>800442009 | 2x 698–960    | 65     | 16.7     | 2.5–10   | 4.3-10         | <a href="#">350</a> |    |
|  | 2x 1427–2690  | 65     | 17.3     | 2–12     |                |                     |    |
|  | 2x 1695–2690  | 65     | 16.7     | 2–12     |                |                     |    |
|  | 2x 1695–2690  | 65     | 17.2     | 2–12     |                |                     |    |
| <a href="#">Antenna 4900 2L 6M 1.5m</a><br>800482021 | 2x 698–960    | 65     | 14.7     | 2–12     | 4.3-10         | <a href="#">356</a> |    |
|  | 2x 1427–2180  | 65     | 16.8     | 2–12     |                |                     |    |
|  | 2x 2490–2690  | 65     | 17.0     | 2–12     |                |                     |    |
|  | 2x 1695–2690  | 65     | 17.3     | 2–12     |                |                     |    |
| <a href="#">Antenna 4300 2L 6M 2.6m</a><br>800372995 | 2x 698–960    | 65     | 16.5     | 2.5–10   | 4.3-10         | <a href="#">362</a> |    |
|  | 2x 1695–2690  | 65     | 16.8     | 2–12     |                |                     |    |
|  | 2x 1427–2180  | 65     | 16.5     | 2–12     |                |                     |    |
|  | 2x 2490–2690  | 65     | 16.6     | 2–12     |                |                     |    |
| <a href="#">Antenna 4600 2L 6M 2.0m</a><br>800442008 | 2x 698–960    | 65     | 15.7     | 2.5–11.5 | 4.3-10         | <a href="#">368</a> |    |
|  | 2x 1427–2690  | 65     | 16.2     | 2–12     |                |                     |    |
|  | 2x 1695–2690  | 65     | 15.9     | 2–12     |                |                     |    |
|  | 1x 1695–2690  | 65     | 16.6     | 2–12     |                |                     |    |
|  | 1x 1695–2690  | 65     | 16.3     | 2–12     |                |                     |    |
| <b>2x Lowband   8x Midband</b>                       |               |        |          |          |                |                     |    |
| <a href="#">Antenna 5500 2L 8M 2.0m</a><br>800482028 | 2x 698–960    | 65     | 15.9     | 2.5–11.5 | 4.3-10, bottom | <a href="#">375</a> |    |
|  | 2x 1695–2690  | 65     | 16.0     | 2–12     |                |                     |    |
|  | 2x 1427–2690  | 65     | 16.0     | 2–12     |                |                     |    |
|  | 2x 1695–2180  | 65     | 16.2     | 2–12     |                |                     |    |
|  | 2x 2490–2690  | 65     | 16.5     | 2–12     |                |                     |    |

2LB nMB

[New product](#)



# Antenna 4000 2L 2M 1.5m

80010964

**Capacity**   Compact   Coverage

65° | 2x 698–960 MHz | 14.0 dBi  
65° | 2x 1695–2690 MHz | 17.5 dBi  
FlexRET



[ericsson.com/antenna-system](https://ericsson.com/antenna-system)



Scan or [click](#)

2LB nMB



| Left side, lowband                          |     | R1, connector 1–2                                    |            |            |            |
|---|-----|--|------------|------------|------------|
| Frequency Range                             | MHz | 698 – 806  | 791 – 862  | 824 – 894  | 880 – 960  |
| Gain at mid Tilt                            | dBi | 13.6   | 14.2       | 14.3       | 14.6       |
| Gain over all Tilts                         | dBi | 13.6 ± 0.6   | 14.2 ± 0.3 | 14.3 ± 0.3 | 14.5 ± 0.4 |
| <b>Horizontal Pattern:</b>                  |     |  |            |            |            |
| Azimuth Beamwidth                           | °   | 65 ± 4.2   | 63 ± 2.4   | 62 ± 2.4   | 59 ± 3.6   |
| Front-to-Back Ratio, Total Power, ± 30°     | dB  | > 22   | > 23       | > 25       | > 25       |
| <b>Vertical Pattern:</b>                    |     |  |            |            |            |
| Elevation Beamwidth                         | °   | 17.8 ± 1.8   | 16.2 ± 1.0 | 15.8 ± 0.8 | 14.7 ± 1.1 |
| Electrical Downtilt continuously adjustable | °   | 2.0 – 16.0   |            |            |            |
| Tilt Accuracy                               | °   | < 0.7  | < 0.7      | < 0.8      | < 0.8      |
| First Upper Side Lobe Suppression           | dB  | > 17   | > 16       | > 15       | > 15       |
| Cross Polar Isolation                       | dB  | > 28   |            |            |            |
| Port to Port Isolation                      | dB  | > 26, typically 30 (R1 // R2)<br>> 30 (R1 // Y1, Y2) |            |            |            |
| Max. Effective Power per Port               | W   | 300 (at 50 °C ambient temperature)                   |            |            |            |
| Max. Effective Power Ports R1               | W   | 600 (at 50 °C ambient temperature)                   |            |            |            |

Values based on NGMN-P-BASTA (version 9.6) requirements.

| Right side, lowband                         |     | R2, connector 3–4   |            |            |            |
|---|-----|---|------------|------------|------------|
| Frequency Range                             | MHz | 698 – 806   | 791 – 862  | 824 – 894  | 880 – 960  |
| Gain at mid Tilt                            | dBi | 13.4  | 14.1       | 14.3       | 14.3       |
| Gain over all Tilts                         | dBi | 13.4 ± 0.5  | 14.0 ± 0.5 | 14.2 ± 0.3 | 14.3 ± 0.4 |
| <b>Horizontal Pattern:</b>                  |     |   |            |            |            |
| Azimuth Beamwidth                           | °   | 64 ± 5.6  | 62 ± 2.9   | 62 ± 2.9   | 60 ± 3.6   |
| Front-to-Back Ratio, Total Power, ± 30°     | dB  | > 21  | > 24       | > 26       | > 26       |
| <b>Vertical Pattern:</b>                    |     |   |            |            |            |
| Elevation Beamwidth                         | °   | 17.6 ± 1.5  | 16.1 ± 1.3 | 15.5 ± 0.7 | 14.6 ± 0.9 |
| Electrical Downtilt continuously adjustable | °   | 2.0 – 16.0  |            |            |            |
| Tilt Accuracy                               | °   | < 1.1   | < 0.8      | < 0.8      | < 1.1      |
| First Upper Side Lobe Suppression           | dB  | > 18  | > 15       | > 15       | > 16       |
| Cross Polar Isolation                       | dB  | > 28  |            |            |            |
| Port to Port Isolation                      | dB  | > 26, typically 30 (R2 // R1)<br>> 30 (R2 // Y1)<br>> 27, typically 30 (R2 // Y2) |            |            |            |
| Max. Effective Power per Port               | W   | 300 (at 50 °C ambient temperature)  |            |            |            |
| Max. Effective Power Ports R2               | W   | 600 (at 50 °C ambient temperature)  |            |            |            |

Values based on NGMN-P-BASTA (version 9.6) requirements.

| Left side, midband                          |     | Y1, connector 5–6                  |             |             |             |             |
|---|-----|------------------------------------|-------------|-------------|-------------|-------------|
| Frequency Range                             | MHz | 1695 – 1880                        | 1850 – 1990 | 1920 – 2170 | 2300 – 2400 | 2500 – 2690 |
| Gain at mid Tilt                            | dBi | 16.9                               | 17.3        | 17.5        | 17.7        | 17.2        |
| Gain over all Tilts                         | dBi | 16.9 ± 0.3                         | 17.3 ± 0.4  | 17.4 ± 0.4  | 17.7 ± 0.8  | 17.1 ± 0.9  |
| <b>Horizontal Pattern:</b>                  |     |                                    |             |             |             |             |
| Azimuth Beamwidth                           | °   | 64 ± 4.0                           | 63 ± 4.9    | 60 ± 4.5    | 54 ± 4.5    | 56 ± 8.3    |
| Front-to-Back Ratio, Total Power, ± 30°     | dB  | > 24                               | > 25        | > 25        | > 27        | > 23        |
| <b>Vertical Pattern:</b>                    |     |                                    |             |             |             |             |
| Elevation Beamwidth                         | °   | 6.8 ± 0.3                          | 6.4 ± 0.2   | 6.0 ± 0.5   | 5.2 ± 0.3   | 4.7 ± 0.3   |
| Electrical Downtilt continuously adjustable | °   | 2.5 – 12.0                         |             |             |             |             |
| Tilt Accuracy                               | °   | < 0.4                              | < 0.4       | < 0.3       | < 0.4       | < 0.4       |
| First Upper Side Lobe Suppression           | dB  | > 16                               | > 17        | > 16        | > 15        | > 14        |
| Cross Polar Isolation                       | dB  | > 26, typically 30                 |             |             |             |             |
| Port to Port Isolation                      | dB  | > 30 (Y1 // R1, R2, Y2)            |             |             |             |             |
| Max. Effective Power per Port               | W   | 200 (at 50 °C ambient temperature) |             |             |             |             |
| Max. Effective Power Ports Y1               | W   | 400 (at 50 °C ambient temperature) |             |             |             |             |

Values based on NGMN-P-BASTA (version 9.6) requirements.

| Right side, midband                         |     | Y2, connector 7–8                  |             |             |             |             |
|---|-----|------------------------------------|-------------|-------------|-------------|-------------|
| Frequency Range                             | MHz | 1695 – 1880                        | 1850 – 1990 | 1920 – 2170 | 2300 – 2400 | 2500 – 2690 |
| Gain at mid Tilt                            | dBi | 16.8                               | 17.2        | 17.3        | 17.6        | 17.0        |
| Gain over all Tilts                         | dBi | 16.8 ± 0.4                         | 17.2 ± 0.5  | 17.2 ± 0.6  | 17.6 ± 0.9  | 17.0 ± 1.0  |
| <b>Horizontal Pattern:</b>                  |     |                                    |             |             |             |             |
| Azimuth Beamwidth                           | °   | 67 ± 4.7                           | 64 ± 6.7    | 61 ± 6.8    | 55 ± 6.0    | 54 ± 9.8    |
| Front-to-Back Ratio, Total Power, ± 30°     | dB  | > 24                               | > 25        | > 25        | > 26        | > 22        |
| <b>Vertical Pattern:</b>                    |     |                                    |             |             |             |             |
| Elevation Beamwidth                         | °   | 6.8 ± 0.3                          | 6.4 ± 0.3   | 6.0 ± 0.5   | 5.3 ± 0.3   | 4.7 ± 0.3   |
| Electrical Downtilt continuously adjustable | °   | 2.5 – 12.0                         |             |             |             |             |
| Tilt Accuracy                               | °   | < 0.2                              | < 0.2       | < 0.2       | < 0.2       | < 0.2       |
| First Upper Side Lobe Suppression           | dB  | > 16                               | > 16        | > 15        | > 16        | > 14        |
| Cross Polar Isolation                       | dB  | > 26, typically 30                 |             |             |             |             |
| Port to Port Isolation                      | dB  | > 30 (Y2 // R1, R2, Y1)            |             |             |             |             |
| Max. Effective Power per Port               | W   | 200 (at 50 °C ambient temperature) |             |             |             |             |
| Max. Effective Power Ports Y2               | W   | 400 (at 50 °C ambient temperature) |             |             |             |             |

Values based on NGMN-P-BASTA (version 9.6) requirements.

## Electrical specifications, all ports

|                                      |          |                                     |
|--------------------------------------|----------|-------------------------------------|
| Impedance                            | $\Omega$ | 50                                  |
| VSWR                                 |          | < 1.5                               |
| Return Loss                          | dB       | > 14                                |
| Interband Isolation                  | dB       | > 26                                |
| Passive Intermodulation              | dBc      | < -153 (2 x 43 dBm carrier)         |
| Polarization                         | °        | +45, -45                            |
| Max. Effective Power for the Antenna | W        | 1200 (at 50 °C ambient temperature) |

Values based on NGMN-P-BASTA (version 9.6) requirements.

## Mechanical specifications

|   |   |  |
|---|---|--|
| Input                                     | 8x 4.3-10 female  |  |
| Connector Position                        | bottom  |  |
| Adjustment Mechanism                      | FlexRET, continuously adjustable                                      |  |
| Wind load (at Rated Wind Speed: 150 km/h) | N   lbf   | Frontal: 835   188<br>Maximal: 840   189                 |
| Max. Wind Velocity                        | km/h<br>mph   | 241<br>150   |
| Height / Width / Depth                    | mm<br>inches  | 1499 / 508 / 175<br>59.0 / 20.0 / 6.9                    |
| Category of Mounting Hardware             | XM (X-Medium)   |  |
| Weight                                    | kg<br>lb  | 34.2 / 38.7 (clamps incl.)<br>75.4 / 85.3 (clamps incl.) |
| Packing Size                              | mm<br>inches  | 1700 / 542 / 268<br>66.9 / 21.3 / 10.6                   |
| Scope of Supply                           | Panel, FlexRET and clamps for 55 – 115 mm   2.2 – 4.5 inches diameter |  |

## Accessories (order separately if required)

| Product No.   | Description          | Remarks<br>mm   inches  | Units per antenna |
|---------------|----------------------|---|-------------------|
| 85010097      | 2 clamps             | Mast diameter: 110–220   4.3–8.7                                  | 1                 |
| 85010110      | 1 downtilt kit       | Downtilt angle: 0°–18°  | 1                 |
| 86010154      | Site Sharing Adapter | 3-way (see figure below)  |                   |
| 86010155      | Site Sharing Adapter | 6-way (see figure below)  |                   |
| 86010162      | Gender Adapter       | Solely to be used in combination with a compatible FlexRET module | 1                 |
| KRY 121 108/1 | Port Extender        |   | 1                 |

## Accessories (included in the scope of supply)

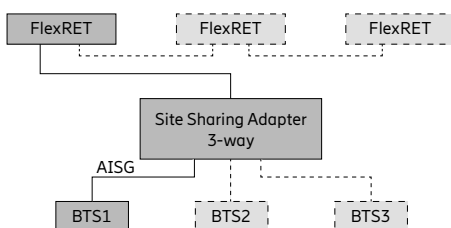
| Product No. | Description | Remarks<br>mm   inches          | Units per antenna |
|-------------|-------------|---------------------------------|-------------------|
| 85010111    | 2 clamps    | Mast diameter: 55–115   2.2–4.5 | 1                 |
| 86010153V01 | FlexRET     | Compliant to 3GPP / AISG 2.0    | 1                 |

For downtilt mounting use the clamps for an appropriate mast diameter together with the downtilt kit. Wall mounting: No additional mounting kit needed.

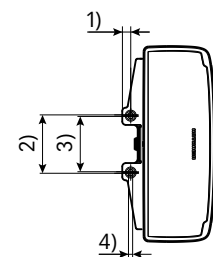
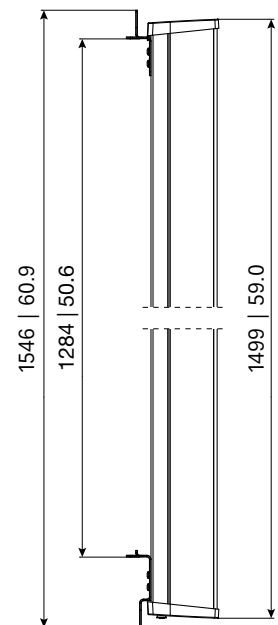
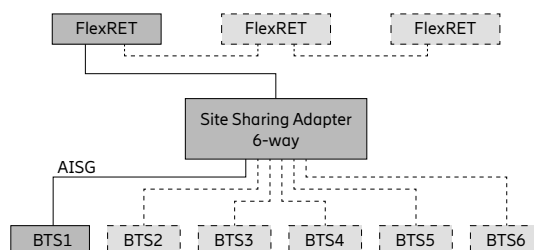
**Material:** **Reflector screen:** Aluminum.  
**Fiberglass housing:** It covers totally the internal antenna components. The special design reduces the sealing areas to a minimum and guarantees the best weather protection. Fiberglass material guarantees optimum performance with regards to stability, stiffness, UV resistance and painting. The color of the radome is light grey.  
**All nuts and bolts:** Stainless steel or hot-dip galvanized steel.

**Grounding:** The metal parts of the antenna including the mounting kit and the inner conductors are DC grounded.

## Configuration example with Site Sharing Adapter 86010154



## Configuration example with Site Sharing Adapter 86010155

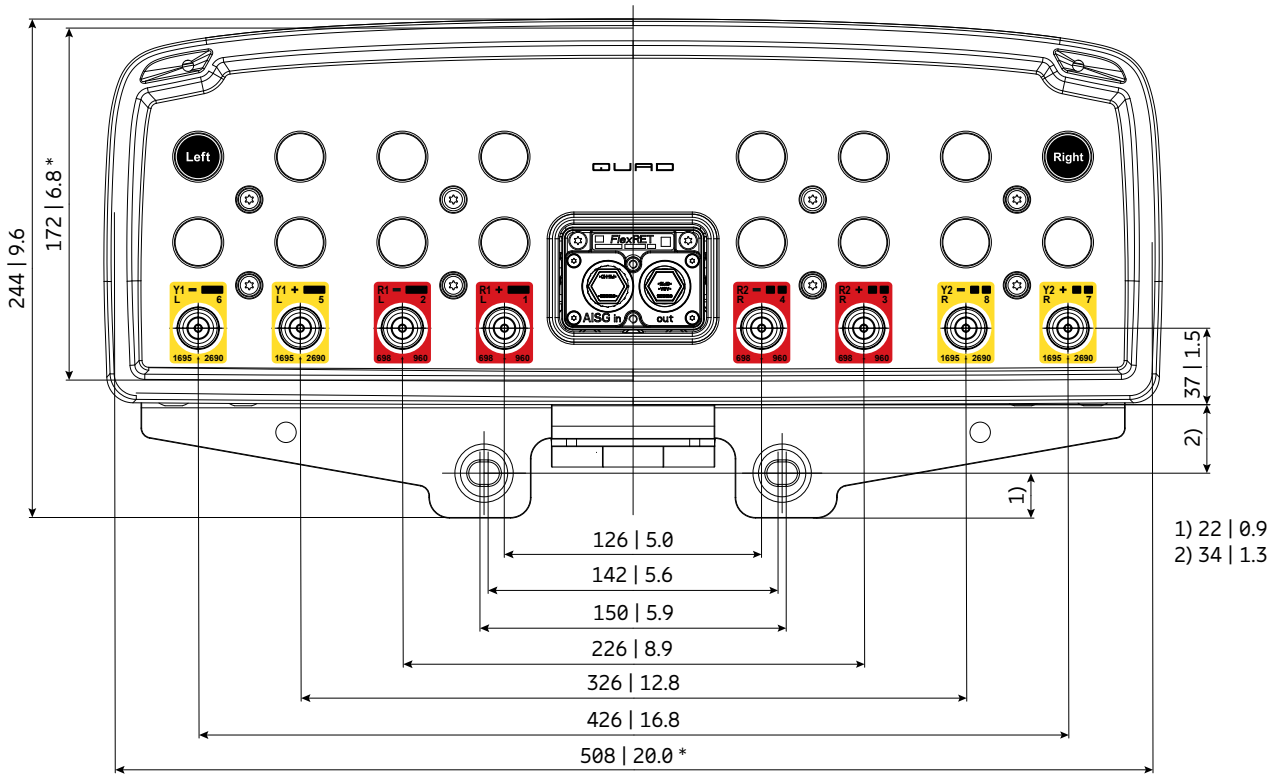


- 1) 22 | 0.9
- 2) 150 | 5.9
- 3) 142 | 5.6
- 4) 11 | 0.4

All dimensions in mm | inches

For more information please refer to the respective data sheets.

## Layout of interface



Bottom view  
\* Dimensions refer to radome  
All dimensions in mm | inches

2LB nMB

## Correlation Table

| Frequency range | Array | Connector / Ports |
|-----------------|-------|-------------------|
| 698–960 MHz     | R1    | 1–2               |
| 698–960 MHz     | R2    | 3–4               |
| 1695–2690 MHz   | Y1    | 5–6               |
| 1695–2690 MHz   | Y2    | 7–8               |





# Antenna 4000 2L 2M 2.0m

80010965

Capacity

Compact

Coverage

65° | 2x 698–960 MHz | 15.5 dBi  
65° | 2x 1695–2690 MHz | 18.0 dBi  
FlexRET



[ericsson.com/antenna-system](https://ericsson.com/antenna-system)



Scan or [click](#)

2LB nMB

| Left side, lowband                          |     | R1, connector 1–2                      |            |            |            |
|---|-----|--|------------|------------|------------|
| Frequency Range                             | MHz | 698 – 806                              | 790 – 862  | 824 – 894  | 880 – 960  |
| Gain at mid Tilt                            | dBi | 14.8                                   | 15.4       | 15.6       | 15.9       |
| Gain over all Tilts                         | dBi | 14.8 ± 0.6                             | 15.4 ± 0.4 | 15.6 ± 0.2 | 15.8 ± 0.2 |
| <b>Horizontal Pattern:</b>                  |     |  |            |            |            |
| Azimuth Beamwidth                           | °   | 62 ± 3.9                               | 61 ± 3.2   | 60 ± 2.7   | 60 ± 2.1   |
| Front-to-Back Ratio, Total Power, ± 30°     | dB  | > 22                                   | > 25       | > 27       | > 25       |
| <b>Vertical Pattern:</b>                    |     |  |            |            |            |
| Elevation Beamwidth                         | °   | 11.9 ± 0.8                             | 11.0 ± 0.8 | 10.5 ± 0.4 | 10.2 ± 0.4 |
| Electrical Downtilt continuously adjustable | °   | 2.0 – 12.0                             |            |            |            |
| Tilt Accuracy                               | °   | < 0.7                                  | < 0.7      | < 0.7      | < 0.7      |
| First Upper Side Lobe Suppression           | dB  | > 14                                   | > 14       | > 15       | > 14       |
| Cross Polar Isolation                       | dB  | > 30                                   |            |            |            |
| Port to Port Isolation                      | dB  | > 27 (R1 // R2)<br>> 30 (R1 // Y1, Y2) |            |            |            |
| Max. Effective Power per Port               | W   | 400 (at 50 °C ambient temperature)     |            |            |            |
| Max. Effective Power Ports R1               | W   | 800 (at 50 °C ambient temperature)     |            |            |            |

Values based on NGMN-P-BASTA (version 9.6) requirements.

| Right side, lowband                         |     | R2, connector 3–4                      |            |            |            |
|---|-----|--|------------|------------|------------|
| Frequency Range                             | MHz | 698 – 806                              | 790 – 862  | 824 – 894  | 880 – 960  |
| Gain at mid Tilt                            | dBi | 14.8                                   | 15.3       | 15.5       | 15.8       |
| Gain over all Tilts                         | dBi | 14.8 ± 0.6                             | 15.3 ± 0.3 | 15.5 ± 0.3 | 15.7 ± 0.3 |
| <b>Horizontal Pattern:</b>                  |     |  |            |            |            |
| Azimuth Beamwidth                           | °   | 63 ± 3.6                               | 62 ± 1.8   | 62 ± 2.1   | 60 ± 3.7   |
| Front-to-Back Ratio, Total Power, ± 30°     | dB  | > 22                                   | > 24       | > 26       | > 27       |
| <b>Vertical Pattern:</b>                    |     |  |            |            |            |
| Elevation Beamwidth                         | °   | 11.6 ± 0.7                             | 11.0 ± 0.6 | 10.7 ± 0.4 | 10.2 ± 0.5 |
| Electrical Downtilt continuously adjustable | °   | 2.0 – 12.0                             |            |            |            |
| Tilt Accuracy                               | °   | < 0.7                                  | < 0.6      | < 0.6      | < 0.5      |
| First Upper Side Lobe Suppression           | dB  | > 14                                   | > 16       | > 16       | > 16       |
| Cross Polar Isolation                       | dB  | > 30                                   |            |            |            |
| Port to Port Isolation                      | dB  | > 27 (R2 // R1)<br>> 30 (R2 // Y1, Y2) |            |            |            |
| Max. Effective Power per Port               | W   | 400 (at 50 °C ambient temperature)     |            |            |            |
| Max. Effective Power Ports R2               | W   | 800 (at 50 °C ambient temperature)     |            |            |            |

Values based on NGMN-P-BASTA (version 9.6) requirements.

| Left side, midband                          |     | Y1, connector 5–6                  |             |             |             |             |
|---|-----|------------------------------------|-------------|-------------|-------------|-------------|
| Frequency Range                             | MHz | 1695 – 1880                        | 1850 – 1990 | 1920 – 2180 | 2300 – 2400 | 2490 – 2690 |
| Gain at mid Tilt                            | dBi | 17.6                               | 17.9        | 18.3        | 18.1        | 18.1        |
| Gain over all Tilts                         | dBi | 17.5 ± 0.4                         | 17.8 ± 0.4  | 18.1 ± 0.5  | 18.0 ± 0.6  | 18.0 ± 0.4  |
| <b>Horizontal Pattern:</b>                  |     |                                    |             |             |             |             |
| Azimuth Beamwidth                           | °   | 62 ± 5.1                           | 65 ± 4.1    | 62 ± 7.2    | 56 ± 4.1    | 57 ± 5.1    |
| Front-to-Back Ratio, Total Power, ± 30°     | dB  | > 22                               | > 25        | > 25        | > 25        | > 25        |
| <b>Vertical Pattern:</b>                    |     |                                    |             |             |             |             |
| Elevation Beamwidth                         | °   | 6.4 ± 0.5                          | 5.9 ± 0.3   | 5.5 ± 0.4   | 4.8 ± 0.3   | 4.4 ± 0.2   |
| Electrical Downtilt continuously adjustable | °   | 2.5 – 12.0                         |             |             |             |             |
| Tilt Accuracy                               | °   | < 0.2                              | < 0.1       | < 0.2       | < 0.3       | < 0.2       |
| First Upper Side Lobe Suppression           | dB  | > 19                               | > 18        | > 16        | > 18        | > 16        |
| Cross Polar Isolation                       | dB  | > 28                               |             |             |             |             |
| Port to Port Isolation                      | dB  | > 30 (Y1 // R1, R2, Y2)            |             |             |             |             |
| Max. Effective Power per Port               | W   | 200 (at 50 °C ambient temperature) |             |             |             |             |
| Max. Effective Power Ports Y1               | W   | 400 (at 50 °C ambient temperature) |             |             |             |             |

Values based on NGMN-P-BASTA (version 9.6) requirements.

| Right side, midband                         |     | Y2, connector 7–8                  |             |             |             |             |
|---|-----|------------------------------------|-------------|-------------|-------------|-------------|
| Frequency Range                             | MHz | 1695 – 1880                        | 1850 – 1990 | 1920 – 2180 | 2300 – 2400 | 2490 – 2690 |
| Gain at mid Tilt                            | dBi | 17.5                               | 18.0        | 18.3        | 18.2        | 17.9        |
| Gain over all Tilts                         | dBi | 17.4 ± 0.4                         | 17.8 ± 0.4  | 18.1 ± 0.6  | 18.0 ± 0.7  | 17.8 ± 0.7  |
| <b>Horizontal Pattern:</b>                  |     |                                    |             |             |             |             |
| Azimuth Beamwidth                           | °   | 65 ± 4.7                           | 66 ± 4.7    | 62 ± 7.8    | 57 ± 3.8    | 59 ± 7.1    |
| Front-to-Back Ratio, Total Power, ± 30°     | dB  | > 24                               | > 26        | > 26        | > 25        | > 24        |
| <b>Vertical Pattern:</b>                    |     |                                    |             |             |             |             |
| Elevation Beamwidth                         | °   | 6.4 ± 0.4                          | 5.9 ± 0.3   | 5.5 ± 0.5   | 4.8 ± 0.3   | 4.4 ± 0.3   |
| Electrical Downtilt continuously adjustable | °   | 2.5 – 12.0                         |             |             |             |             |
| Tilt Accuracy                               | °   | < 0.2                              | < 0.2       | < 0.2       | < 0.3       | < 0.2       |
| First Upper Side Lobe Suppression           | dB  | > 18                               | > 18        | > 15        | > 17        | > 16        |
| Cross Polar Isolation                       | dB  | > 28                               |             |             |             |             |
| Port to Port Isolation                      | dB  | > 30 (Y2 // R1, R2, Y1)            |             |             |             |             |
| Max. Effective Power per Port               | W   | 200 (at 50 °C ambient temperature) |             |             |             |             |
| Max. Effective Power Ports Y2               | W   | 400 (at 50 °C ambient temperature) |             |             |             |             |

Values based on NGMN-P-BASTA (version 9.6) requirements.

## Electrical specifications, all ports

|                                      |            |                                     |
|--------------------------------------|------------|-------------------------------------|
| Impedance                            | $\Omega$   | 50                                  |
| VSWR                                 |            | < 1.5                               |
| Return Loss                          | dB         | > 14                                |
| Interband Isolation                  | dB         | > 27                                |
| Passive Intermodulation              | dBc        | < -153 (2 x 43 dBm carrier)         |
| Polarization                         | $^{\circ}$ | +45, -45                            |
| Max. Effective Power for the Antenna | W          | 1200 (at 50 °C ambient temperature) |

Values based on NGMN-P-BASTA (version 9.6) requirements.

## Mechanical specifications

|   |   |   |
|---|---|---|
| Input                                     | 8x 4.3-10 female  |   |
| Connector Position                        | bottom  |   |
| Adjustment Mechanism                      | FlexRET,<br>continuously adjustable                               |   |
| Wind load (at Rated Wind Speed: 150 km/h) | N   lbf   | Frontal: 1130   254<br>Maximal: 1140   256                |
| Max. Wind Velocity                        | km/h<br>mph   | 241<br>150  |
| Height / Width / Depth                    | mm<br>inches  | 1999 / 508 / 175<br>78.7 / 20.0 / 6.9                     |
| Category of Mounting Hardware             | XM (X-Medium)   |   |
| Weight                                    | kg<br>lb  | 41.6 / 46.1 (clamps incl.)<br>91.7 / 101.6 (clamps incl.) |
| Packing Size                              | mm<br>inches  | 2200 / 542 / 268<br>86.6 / 21.3 / 10.6                    |
| Scope of Supply                           | Panel, FlexRET and clamps for 55–115 mm   2.2–4.5 inches diameter |   |

## Accessories (order separately if required)

| Product No.   | Description          | Remarks<br>mm   inches  | Units per antenna |
|---------------|----------------------|---|-------------------|
| 85010097      | 2 clamps             | Mast diameter: 110–220   4.3–8.7                                  | 1                 |
| 85010110      | 1 downtilt kit       | Downtilt angle: 0°–13°  | 1                 |
| 86010154      | Site Sharing Adapter | 3-way (see figure below)  |                   |
| 86010155      | Site Sharing Adapter | 6-way (see figure below)  |                   |
| 86010162      | Gender Adapter       | Solely to be used in combination with a compatible FlexRET module | 1                 |
| KRY 121 108/1 | Port Extender        |   | 1                 |

## Accessories (included in the scope of supply)

| Product No. | Description | Remarks<br>mm   inches          | Units per antenna |
|-------------|-------------|---------------------------------|-------------------|
| 85010111    | 2 clamps    | Mast diameter: 55–115   2.2–4.5 | 1                 |
| 86010153V01 | FlexRET     | Compliant to 3GPP / AISG 2.0    | 1                 |

For downtilt mounting use the clamps for an appropriate mast diameter together with the downtilt kit. Wall mounting: No additional mounting kit needed.

## Material:

**Reflector screen:** Aluminum.

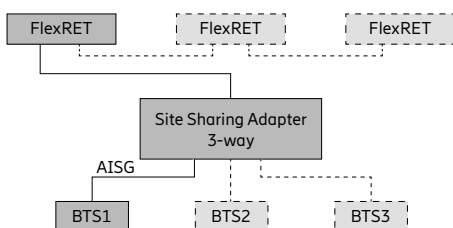
**Fiberglass housing:** It covers totally the internal antenna components. The special design reduces the sealing areas to a minimum and guarantees the best weather protection. Fiberglass material guarantees optimum performance with regards to stability, stiffness, UV resistance and painting. The color of the radome is light grey.

**All nuts and bolts:** Stainless steel or hot-dip galvanized steel.

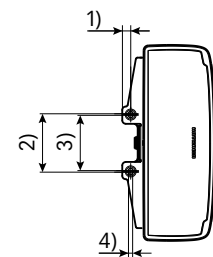
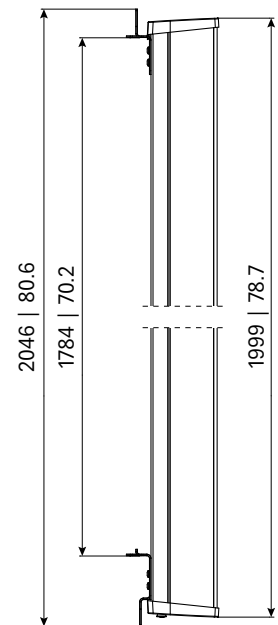
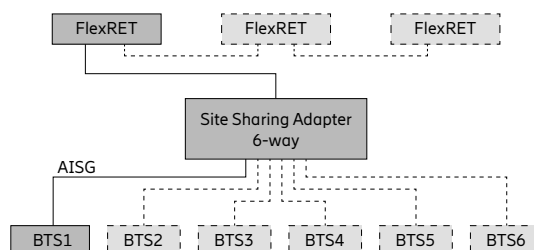
## Grounding:

The metal parts of the antenna including the mounting kit and the inner conductors are DC grounded.

## Configuration example with Site Sharing Adapter 86010154



## Configuration example with Site Sharing Adapter 86010155



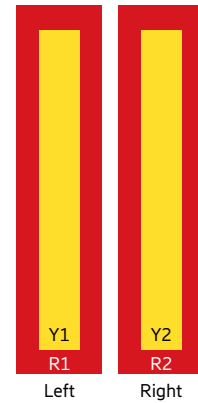
- 1) 22 | 0.9
- 2) 150 | 5.9
- 3) 142 | 5.6
- 4) 11 | 0.4

All dimensions in mm | inches

For more information please refer to the respective data sheets.







2LB nMB

# Antenna 4006 2L 2M 1.5m

KRE 101 2574/1

Capacity

Compact

Coverage

65° | 2x 698–960 MHz | 14.6 dBi  
65° | 2x 1695–2690 MHz | 16.8 dBi  
Electrical downtilt set by integrated RET



[ericsson.com/antenna-system](https://ericsson.com/antenna-system)



Scan or [click](#)

| Left side, lowband                          |     | R1, connector 1–2                  |            |            |            |
|---|-----|------------------------------------|------------|------------|------------|
| Frequency Range                             | MHz | 698 – 806                          | 791 – 862  | 824 – 894  | 880 – 960  |
| Gain at mid Tilt                            | dBi | 13.8                               | 14.2       | 14.5       | 14.8       |
| Gain over all Tilts                         | dBi | 13.8 ± 0.4                         | 14.3 ± 0.3 | 14.5 ± 0.3 | 14.8 ± 0.3 |
| <b>Horizontal Pattern:</b>                  |     |                                    |            |            |            |
| Azimuth Beamwidth                           | °   | 67 ± 3.8                           | 65 ± 4.2   | 64 ± 3.6   | 61 ± 2.5   |
| Front-to-Back Ratio, Total Power, ± 30°     | dB  | > 18                               | > 22       | > 22       | > 21       |
| <b>Vertical Pattern:</b>                    |     |                                    |            |            |            |
| Elevation Beamwidth                         | °   | 15.1 ± 1.0                         | 14.1 ± 0.8 | 13.7 ± 0.6 | 12.9 ± 0.7 |
| Electrical Downtilt continuously adjustable | °   | 2.0 – 16.0                         |            |            |            |
| Tilt Accuracy                               | °   | < 0.7                              | < 0.6      | < 0.6      | < 0.6      |
| First Upper Sidelobe Suppression            | dB  | > 16                               | > 16       | > 16       | > 16       |
| Cross Polar Isolation                       | dB  | > 27                               |            |            |            |
| Port to Port Isolation                      | dB  | > 27 (R1 // R2, Y1, Y2)            |            |            |            |
| Max. Effective Power per Port               | W   | 175 (at 40 °C ambient temperature) |            |            |            |

Values based on NGMN-P-BASTA (version 10.0) requirements.

| Right side, lowband                         |     | R2, connector 3–4                  |            |            |            |
|---|-----|------------------------------------|------------|------------|------------|
| Frequency Range                             | MHz | 698 – 806                          | 791 – 862  | 824 – 894  | 880 – 960  |
| Gain at mid Tilt                            | dBi | 13.7                               | 14.1       | 14.3       | 14.7       |
| Gain over all Tilts                         | dBi | 13.6 ± 0.4                         | 14.1 ± 0.3 | 14.3 ± 0.3 | 14.6 ± 0.4 |
| <b>Horizontal Pattern:</b>                  |     |                                    |            |            |            |
| Azimuth Beamwidth                           | °   | 69 ± 4.6                           | 66 ± 4.3   | 65 ± 3.3   | 62 ± 2.6   |
| Front-to-Back Ratio, Total Power, ± 30°     | dB  | > 19                               | > 22       | > 21       | > 20       |
| <b>Vertical Pattern:</b>                    |     |                                    |            |            |            |
| Elevation Beamwidth                         | °   | 15.4 ± 1.1                         | 14.3 ± 0.6 | 13.9 ± 0.6 | 13.1 ± 0.7 |
| Electrical Downtilt continuously adjustable | °   | 2.0 – 16.0                         |            |            |            |
| Tilt Accuracy                               | °   | < 0.8                              | < 0.6      | < 0.7      | < 0.6      |
| First Upper Sidelobe Suppression            | dB  | > 17                               | > 17       | > 17       | > 17       |
| Cross Polar Isolation                       | dB  | > 27                               |            |            |            |
| Port to Port Isolation                      | dB  | > 27 (R2 // R1, Y1, Y2)            |            |            |            |
| Max. Effective Power per Port               | W   | 175 (at 40 °C ambient temperature) |            |            |            |

Values based on NGMN-P-BASTA (version 10.0) requirements.

| Left side, midband                          |     | Y1, connector 5–6                  |             |             |             |             |
|---|-----|------------------------------------|-------------|-------------|-------------|-------------|
| Frequency Range                             | MHz | 1695 – 1880                        | 1850 – 1990 | 1920 – 2180 | 2300 – 2400 | 2500 – 2690 |
| Gain at mid Tilt                            | dBi | 16.6                               | 16.7        | 16.7        | 16.5        | 16.9        |
| Gain over all Tilts                         | dBi | 16.5 ± 0.5                         | 16.7 ± 0.6  | 16.7 ± 0.6  | 16.5 ± 0.8  | 16.8 ± 0.8  |
| <b>Horizontal Pattern:</b>                  |     |                                    |             |             |             |             |
| Azimuth Beamwidth                           | °   | 69 ± 3.4                           | 68 ± 3.9    | 67 ± 4.4    | 61 ± 5.3    | 59 ± 4.3    |
| Front-to-Back Ratio, Total Power, ± 30°     | dB  | > 22                               | > 22        | > 20        | > 20        | > 19        |
| <b>Vertical Pattern:</b>                    |     |                                    |             |             |             |             |
| Elevation Beamwidth                         | °   | 7.5 ± 0.5                          | 7.0 ± 0.4   | 6.7 ± 0.5   | 5.9 ± 0.3   | 5.5 ± 0.3   |
| Electrical Downtilt continuously adjustable | °   | 2.0 – 12.0                         |             |             |             |             |
| Tilt Accuracy                               | °   | < 0.7                              | < 0.9       | < 0.9       | < 0.9       | < 0.8       |
| First Upper Sidelobe Suppression            | dB  | > 23                               | > 24        | > 23        | > 20        | > 17        |
| Cross Polar Isolation                       | dB  | > 26                               |             |             |             |             |
| Port to Port Isolation                      | dB  | > 27 (Y1 // R1, R2, Y2)            |             |             |             |             |
| Max. Effective Power per Port               | W   | 175 (at 40 °C ambient temperature) |             |             |             |             |

Values based on NGMN-P-BASTA (version 10.0) requirements.

| Right side, midband                         |     | Y2, connector 7–8                  |             |             |             |             |
|---|-----|------------------------------------|-------------|-------------|-------------|-------------|
| Frequency Range                             | MHz | 1695 – 1880                        | 1850 – 1990 | 1920 – 2180 | 2300 – 2400 | 2500 – 2690 |
| Gain at mid Tilt                            | dBi | 16.5                               | 16.7        | 16.7        | 16.6        | 17.0        |
| Gain over all Tilts                         | dBi | 16.4 ± 0.5                         | 16.7 ± 0.7  | 16.7 ± 0.7  | 16.6 ± 0.7  | 17.0 ± 0.8  |
| <b>Horizontal Pattern:</b>                  |     |                                    |             |             |             |             |
| Azimuth Beamwidth                           | °   | 71 ± 4.0                           | 70 ± 3.9    | 69 ± 4.5    | 62 ± 6.7    | 58 ± 5.8    |
| Front-to-Back Ratio, Total Power, ± 30°     | dB  | > 21                               | > 21        | > 21        | > 20        | > 20        |
| <b>Vertical Pattern:</b>                    |     |                                    |             |             |             |             |
| Elevation Beamwidth                         | °   | 7.5 ± 0.5                          | 7.0 ± 0.4   | 6.6 ± 0.5   | 5.8 ± 0.3   | 5.5 ± 0.3   |
| Electrical Downtilt continuously adjustable | °   | 2.0 – 12.0                         |             |             |             |             |
| Tilt Accuracy                               | °   | < 0.5                              | < 0.6       | < 0.7       | < 0.6       | < 0.6       |
| First Upper Sidelobe Suppression            | dB  | > 22                               | > 23        | > 23        | > 20        | > 17        |
| Cross Polar Isolation                       | dB  | > 26                               |             |             |             |             |
| Port to Port Isolation                      | dB  | > 27 (Y2 // R1, R2, Y1)            |             |             |             |             |
| Max. Effective Power per Port               | W   | 175 (at 40 °C ambient temperature) |             |             |             |             |

Values based on NGMN-P-BASTA (version 10.0) requirements.

## Electrical specifications, all ports

|                                      |            |                                    |
|--------------------------------------|------------|------------------------------------|
| Impedance                            | $\Omega$   | 50                                 |
| VSWR                                 |            | < 1.5                              |
| Return Loss                          | dB         | > 14                               |
| Interband Isolation                  | dB         | > 27                               |
| Passive Intermodulation              | dBc        | < -153 (2 x 43 dBm carrier)        |
| Polarization                         | $^{\circ}$ | +45, -45                           |
| Max. Effective Power for the Antenna | W          | 800 (at 40 °C ambient temperature) |

Values based on NGMN-P-BASTA (version 10.0) requirements.

## Mechanical specifications

|   |  |  |
|---|--|--|
| Input                                     | 8x 4.3-10 female   |  |
| Connector Position                        | bottom   |  |
| Adjustment Mechanism                      | Integrated RET, continuously adjustable                                  |  |
| Wind load (at Rated Wind Speed: 150 km/h) | N   lbf  | Frontal: 850   191<br>Maximal: 935   210                 |
| Max. Wind Velocity                        | km/h<br>mph  | 241<br>150   |
| Height / Width / Depth                    | mm<br>inches   | 1500 / 448 / 164<br>59.1 / 17.6 / 6.5                    |
| Category of Mounting Hardware             | XH (X-Heavy)   |  |
| Weight                                    | kg<br>lb   | 30.7 / 35.7 (clamps incl.)<br>67.7 / 78.7 (clamps incl.) |
| Packing Size                              | mm<br>inches   | 1720 / 473 / 250<br>67.7 / 18.6 / 9.8                    |
| Scope of Supply                           | Panel, integrated RET and clamps for 55–115 mm   2.2–4.5 inches diameter |  |

## Accessories (order separately if required)

| Product No. | Description    | Remarks<br>mm   inches           | Units per antenna |
|-------------|----------------|----------------------------------|-------------------|
| 85010097    | 2 clamps       | Mast diameter: 110–220   4.3–8.7 | 1                 |
| 85010099    | 1 downtilt kit | Downtilt angle: 0°–18°           | 1                 |

## Accessories (included in the scope of supply)

| Product No.  | Description | Remarks<br>mm   inches          | Units per antenna |
|--------------|-------------|---------------------------------|-------------------|
| 85010096     | 2 clamps    | Mast diameter: 55–115   2.2–4.5 | 1                 |
| KRY 121 79/2 | RET unit    | Compliant to 3GPP / AISG 2.0    | 1                 |

For downtilt mounting use the clamps for an appropriate mast diameter together with the downtilt kit.  
Wall mounting: No additional mounting kit needed.

**Material:**

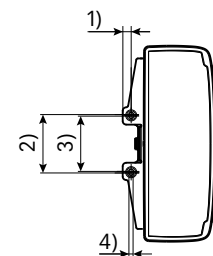
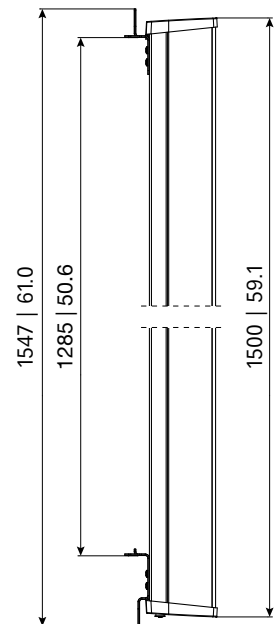
**Reflector screen:** Aluminum.

**Fiberglass housing:** It covers totally the internal antenna components. The special design reduces the sealing areas to a minimum and guarantees the best weather protection. Fiberglass material guarantees optimum performance with regards to stability, stiffness, UV resistance and painting. The color of the radome is light grey.

**All nuts and bolts:** Stainless steel or hot-dip galvanized steel.

**Grounding:**

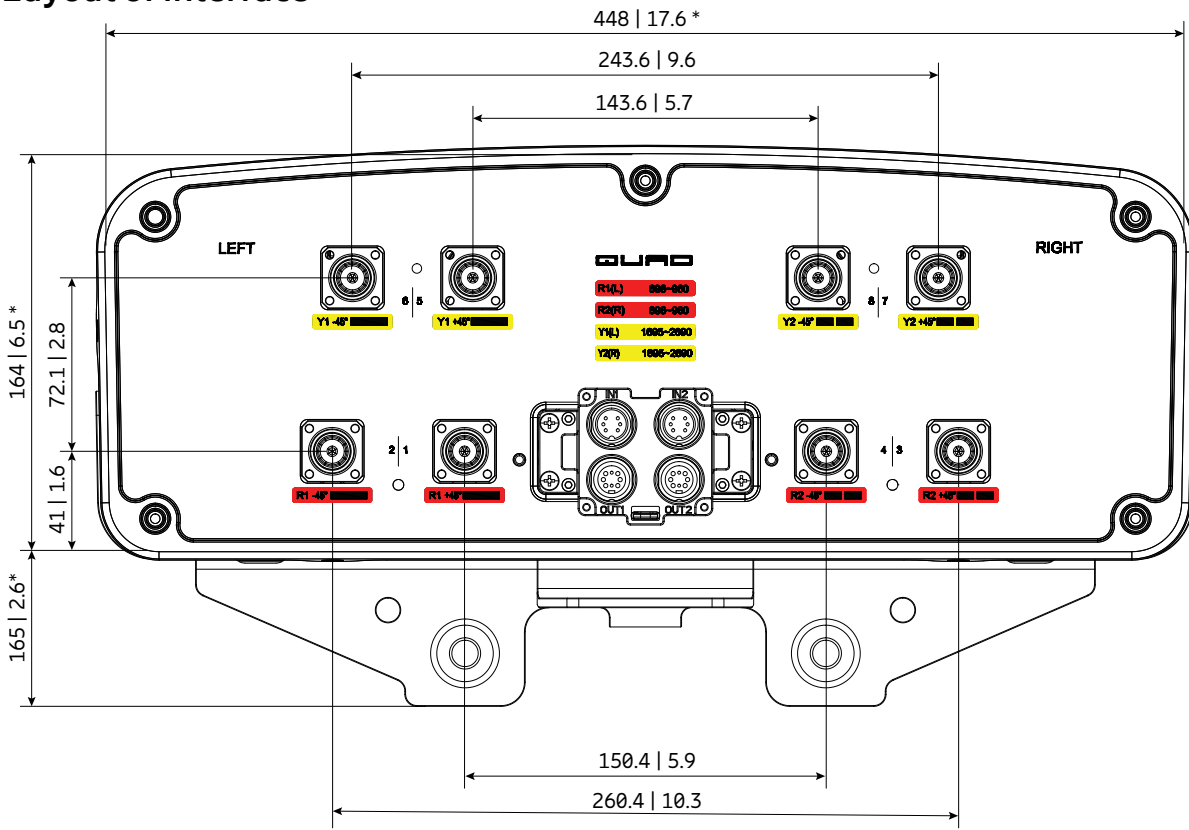
The metal parts of the antenna including the mounting kit and the inner conductors are DC grounded.



1) 22 | 0.9  
2) 150 | 5.9  
3) 142 | 5.6  
4) 11 | 0.4

All dimensions  
in mm | inches

### Layout of interface

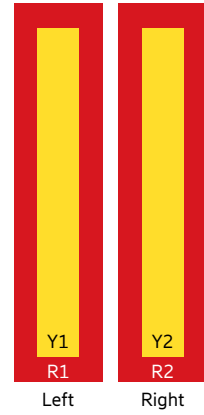


Bottom view  
 \* Dimensions refer to radome  
 All dimensions in mm | inches

### Correlation Table

| Frequency range | Array | Connector / Ports |
|-----------------|-------|-------------------|
| 698-960 MHz     | R1    | 1-2               |
| 698-960 MHz     | R2    | 3-4               |
| 1695-2690 MHz   | Y1    | 5-6               |
| 1695-2690 MHz   | Y2    | 7-8               |





# Antenna 4006 2L 2M 2.0m

KRE 101 2565/1

Capacity Compact Coverage

65° | 2x 698–960 MHz | 15.0 dBi  
65° | 2x 1695–2690 MHz | 17.0 dBi  
Electrical downtilt set by integrated RET



[ericsson.com/antenna-system](https://ericsson.com/antenna-system)



Scan or [click](#)

2LB nMB

| Left side, lowband                          |     | R1, connector 1–2                  |            |            |            |
|---|-----|------------------------------------|------------|------------|------------|
| Frequency Range                             | MHz | 698 – 806                          | 790 – 862  | 824 – 894  | 880 – 960  |
| Gain at mid Tilt                            | dBi | 14.0                               | 14.5       | 14.7       | 15.0       |
| Gain over all Tilts                         | dBi | 14.0 ± 0.5                         | 14.6 ± 0.5 | 14.7 ± 0.3 | 15.0 ± 0.4 |
| <b>Horizontal Pattern:</b>                  |     |                                    |            |            |            |
| Azimuth Beamwidth                           | °   | 72 ± 8.7                           | 68 ± 8.1   | 66 ± 3.9   | 62 ± 4.1   |
| Front-to-Back Ratio, Total Power, ± 30°     | dB  | > 20                               | > 22       | > 23       | > 24       |
| <b>Vertical Pattern:</b>                    |     |                                    |            |            |            |
| Elevation Beamwidth                         | °   | 11.8 ± 1.1                         | 10.8 ± 0.6 | 10.5 ± 0.7 | 9.8 ± 0.5  |
| Electrical Downtilt continuously adjustable | °   | 2.0 – 12.0                         |            |            |            |
| Tilt Accuracy                               | °   | < 0.9                              | < 1.1      | < 1.1      | < 1.2      |
| First Upper Side Lobe Suppression           | dB  | > 16                               | > 17       | > 17       | > 17       |
| Cross Polar Isolation                       | dB  | > 27                               |            |            |            |
| Port to Port Isolation                      | dB  | > 27 (R1 // R2, Y1, Y2)            |            |            |            |
| Max. Effective Power per Port               | W   | 150 (at 40 °C ambient temperature) |            |            |            |
| Max. Effective Power Ports R1               | W   | 300 (at 40 °C ambient temperature) |            |            |            |

Values based on NGMN-P-BASTA (version 10.0) requirements.

| Right side, lowband                         |     | R2, connector 3–4                  |            |            |            |
|---|-----|------------------------------------|------------|------------|------------|
| Frequency Range                             | MHz | 698 – 806                          | 790 – 862  | 824 – 894  | 880 – 960  |
| Gain at mid Tilt                            | dBi | 13.9                               | 14.5       | 14.7       | 15.1       |
| Gain over all Tilts                         | dBi | 13.9 ± 0.4                         | 14.5 ± 0.5 | 14.7 ± 0.4 | 15.0 ± 0.5 |
| <b>Horizontal Pattern:</b>                  |     |                                    |            |            |            |
| Azimuth Beamwidth                           | °   | 73 ± 7.0                           | 69 ± 4.4   | 67 ± 5.3   | 63 ± 5.0   |
| Front-to-Back Ratio, Total Power, ± 30°     | dB  | > 20                               | > 22       | > 23       | > 23       |
| <b>Vertical Pattern:</b>                    |     |                                    |            |            |            |
| Elevation Beamwidth                         | °   | 11.8 ± 1.0                         | 10.8 ± 0.7 | 10.5 ± 0.8 | 9.9 ± 0.6  |
| Electrical Downtilt continuously adjustable | °   | 2.0 – 12.0                         |            |            |            |
| Tilt Accuracy                               | °   | < 0.9                              | < 1.0      | < 1.2      | < 1.4      |
| First Upper Side Lobe Suppression           | dB  | > 16                               | > 17       | > 16       | > 18       |
| Cross Polar Isolation                       | dB  | > 27                               |            |            |            |
| Port to Port Isolation                      | dB  | > 27 (R2 // R1, Y1, Y2)            |            |            |            |
| Max. Effective Power per Port               | W   | 150 (at 40 °C ambient temperature) |            |            |            |
| Max. Effective Power Ports R2               | W   | 300 (at 40 °C ambient temperature) |            |            |            |

Values based on NGMN-P-BASTA (version 10.0) requirements.



| Left side, midband                          |     | Y1, connector 5–6                  |             |             |             |             |
|---|-----|------------------------------------|-------------|-------------|-------------|-------------|
| Frequency Range                             | MHz | 1695 – 1880                        | 1850 – 1990 | 1920 – 2180 | 2300 – 2400 | 2490 – 2690 |
| Gain at mid Tilt                            | dBi | 16.8                               | 17.1        | 17.0        | 17.1        | 17.5        |
| Gain over all Tilts                         | dBi | 16.9 ± 0.7                         | 17.1 ± 0.6  | 16.9 ± 0.8  | 17.0 ± 0.9  | 17.4 ± 0.9  |
| <b>Horizontal Pattern:</b>                  |     |                                    |             |             |             |             |
| Azimuth Beamwidth                           | °   | 66 ± 3.2                           | 67 ± 3.0    | 65 ± 4.6    | 61 ± 6.2    | 60 ± 5.0    |
| Front-to-Back Ratio, Total Power, ± 30°     | dB  | > 23                               | > 24        | > 25        | > 24        | > 25        |
| <b>Vertical Pattern:</b>                    |     |                                    |             |             |             |             |
| Elevation Beamwidth                         | °   | 6.7 ± 0.5                          | 6.2 ± 0.3   | 5.9 ± 0.3   | 5.1 ± 0.2   | 4.7 ± 0.3   |
| Electrical Downtilt continuously adjustable | °   | 2.0 – 12.0                         |             |             |             |             |
| Tilt Accuracy                               | °   | < 0.3                              | < 0.2       | < 0.3       | < 0.3       | < 0.3       |
| First Upper Side Lobe Suppression           | dB  | > 15                               | > 16        | > 16        | > 19        | > 16        |
| Cross Polar Isolation                       | dB  | > 27                               |             |             |             |             |
| Port to Port Isolation                      | dB  | > 27 (Y1 // R1, R2, Y2)            |             |             |             |             |
| Max. Effective Power per Port               | W   | 125 (at 40 °C ambient temperature) |             |             |             |             |
| Max. Effective Power Ports Y1               | W   | 200 (at 40 °C ambient temperature) |             |             |             |             |

Values based on NGMN-P-BASTA (version 10.0) requirements.

| Right side, midband                         |     | Y2, connector 7–8                  |             |             |             |             |
|---|-----|------------------------------------|-------------|-------------|-------------|-------------|
| Frequency Range                             | MHz | 1695 – 1880                        | 1850 – 1990 | 1920 – 2180 | 2300 – 2400 | 2490 – 2690 |
| Gain at mid Tilt                            | dBi | 16.7                               | 16.9        | 16.8        | 16.7        | 17.4        |
| Gain over all Tilts                         | dBi | 16.7 ± 0.7                         | 16.9 ± 0.7  | 16.8 ± 0.8  | 16.7 ± 0.9  | 17.2 ± 0.9  |
| <b>Horizontal Pattern:</b>                  |     |                                    |             |             |             |             |
| Azimuth Beamwidth                           | °   | 66 ± 3.3                           | 67 ± 3.9    | 66 ± 4.8    | 61 ± 6.3    | 59 ± 3.8    |
| Front-to-Back Ratio, Total Power, ± 30°     | dB  | > 23                               | > 24        | > 23        | > 23        | > 26        |
| <b>Vertical Pattern:</b>                    |     |                                    |             |             |             |             |
| Elevation Beamwidth                         | °   | 6.8 ± 0.5                          | 6.2 ± 0.3   | 5.9 ± 0.3   | 5.2 ± 0.3   | 4.7 ± 0.3   |
| Electrical Downtilt continuously adjustable | °   | 2.0 – 12.0                         |             |             |             |             |
| Tilt Accuracy                               | °   | < 0.3                              | < 0.3       | < 0.3       | < 0.3       | < 0.3       |
| First Upper Side Lobe Suppression           | dB  | > 17                               | > 17        | > 16        | > 17        | > 18        |
| Cross Polar Isolation                       | dB  | > 27                               |             |             |             |             |
| Port to Port Isolation                      | dB  | > 27 (Y2 // R1, R2, Y1)            |             |             |             |             |
| Max. Effective Power per Port               | W   | 125 (at 40 °C ambient temperature) |             |             |             |             |
| Max. Effective Power Ports Y2               | W   | 200 (at 40 °C ambient temperature) |             |             |             |             |

Values based on NGMN-P-BASTA (version 10.0) requirements.

## Electrical specifications, all ports

|                                      |            |                                    |
|--------------------------------------|------------|------------------------------------|
| Impedance                            | $\Omega$   | 50                                 |
| VSWR                                 |            | < 1.5                              |
| Return Loss                          | dB         | > 14                               |
| Interband Isolation                  | dB         | > 27                               |
| Passive Intermodulation              | dBc        | < -153 (2 x 43 dBm carrier)        |
| Polarization                         | $^{\circ}$ | -45, +45                           |
| Max. Effective Power for the Antenna | W          | 800 (at 40 °C ambient temperature) |

Values based on NGMN-P-BASTA (version 10.0) requirements.

## Mechanical specifications

|   |  |  |
|---|--|--|
| Input                                     | 8 x 4.3-10 female  |  |
| Connector Position                        | bottom   |  |
| Adjustment Mechanism                      | Integrated RET, continuously adjustable                                  |  |
| Wind load (at Rated Wind Speed: 150 km/h) | N   lbf  | Frontal: 1155   260<br>Maximal: 1270   286               |
| Max. Wind Velocity                        | km/h<br>mph  | 241<br>150   |
| Height / Width / Depth                    | mm<br>inches   | 1986 / 448 / 164<br>78.2 / 17.6 / 6.5                    |
| Category of Mounting Hardware             | XH (X-Heavy)   |  |
| Weight                                    | kg<br>lb   | 36.0 / 41.0 (clamps incl.)<br>79.4 / 90.4 (clamps incl.) |
| Packing Size                              | mm<br>inches   | 2193 / 468 / 205<br>86.3 / 18.4 / 8.1                    |
| Scope of Supply                           | Panel, integrated RET and clamps for 55–115 mm   2.2–4.5 inches diameter |  |

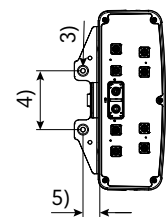
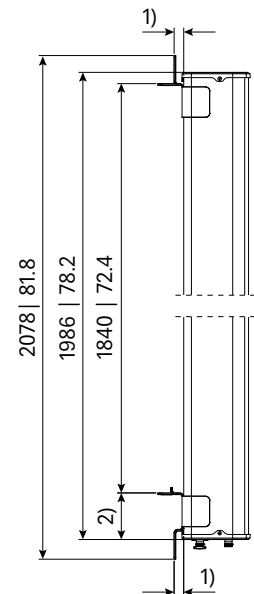
## Accessories (order separately if required)

| Product No | Description    | Remarks<br>mm   inches           | Units per antenna |
|------------|----------------|----------------------------------|-------------------|
| 85010097   | 2 clamps       | Mast diameter: 110–220   4.3–8.7 | 1                 |
| 85010099   | 1 downtilt kit | Downtilt angle: 0°–12°           | 1                 |

For downtilt mounting use the clamps for an appropriate mast diameter together with the downtilt kit.  
Wall mounting: No additional mounting kit needed.

**Material:** **Reflector screen:** Aluminum.  
**Fiberglass housing:** It covers totally the internal antenna components. The special design reduces the sealing areas to a minimum and guarantees the best weather protection. Fiberglass material guarantees optimum performance with regards to stability, stiffness, UV resistance and painting. The color of the radome is light grey.  
**All nuts and bolts:** Stainless steel or hot-dip galvanized steel.

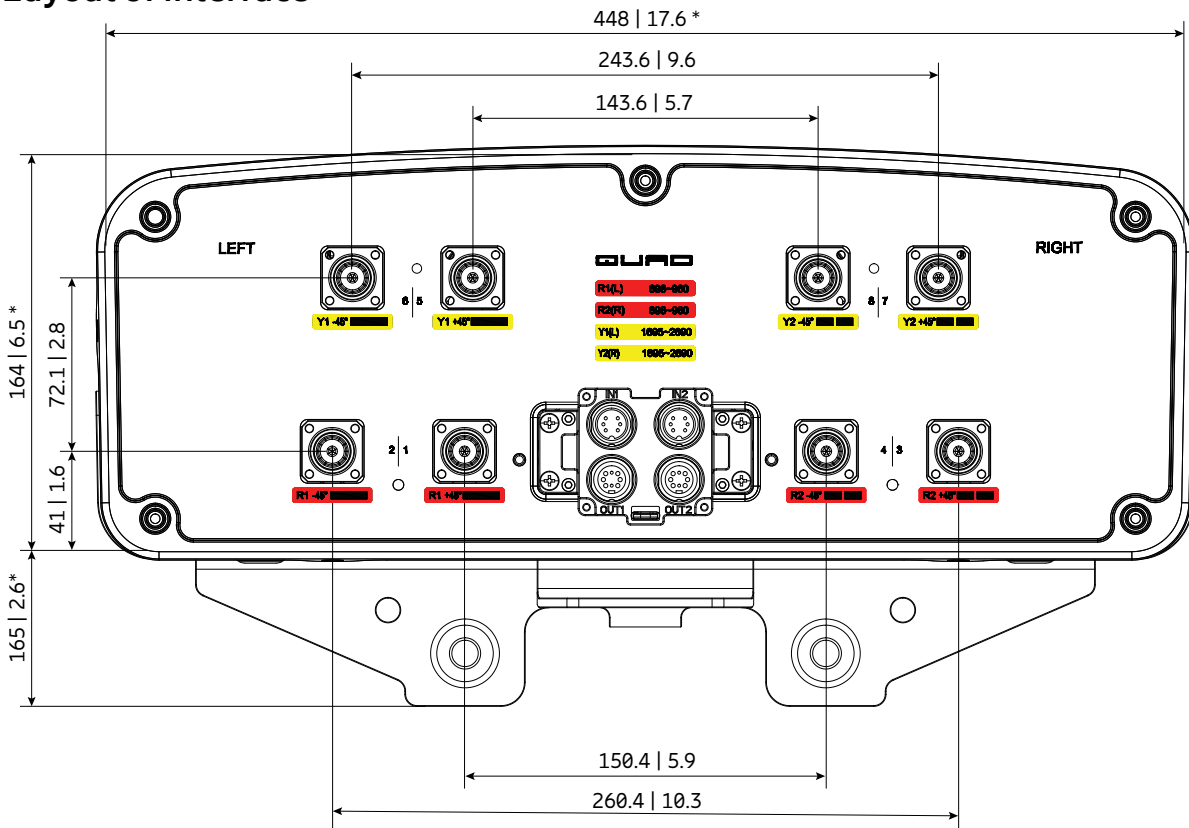
**Grounding:** The metal parts of the antenna including the mounting kit and the inner conductors are DC grounded.



- 1) 24 | 1.0  
2) 117.5 | 4.6  
3)  $\varnothing$  11 | 0.4  
4) 150 | 5.9  
5) 43 | 1.7

All dimensions  
in mm | inches

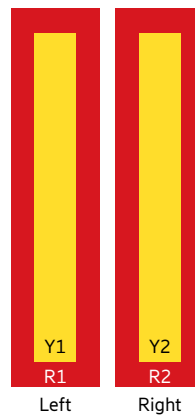
### Layout of interface

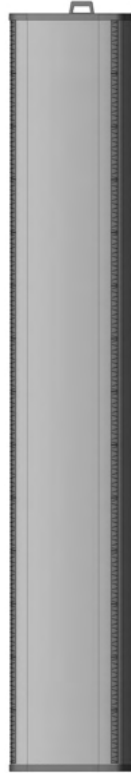


Bottom view  
 \* Dimensions refer to radome  
 All dimensions in mm | inches

### Correlation Table

| Frequency range | Array | Connector / Ports |
|-----------------|-------|-------------------|
| 698–960 MHz     | R1    | 1–2               |
| 698–960 MHz     | R2    | 3–4               |
| 1695–2690 MHz   | Y1    | 5–6               |
| 1695–2690 MHz   | Y2    | 7–8               |





# Antenna 4002 2L 2M 2.0m

800372965

Capacity **Compact** Coverage

65° | 2x 698–960 MHz | 15.4 dBi  
65° | 2x 1427–2690 MHz | 17.9 dBi  
FlexRET



[ericsson.com/antenna-system](https://ericsson.com/antenna-system)



Scan or [click](#)

2LB nMB

| Left side, lowband                          |     | R1, connector 1 – 2                |            |            |            |
|---|-----|------------------------------------|------------|------------|------------|
| Frequency Range                             | MHz | 698 – 806                          | 791 – 862  | 824 – 894  | 880 – 960  |
| Gain at mid Tilt                            | dBi | 14.0                               | 14.7       | 15.0       | 15.4       |
| Gain over all Tilts                         | dBi | 14.0 ± 0.4                         | 14.7 ± 0.4 | 15.0 ± 0.4 | 15.4 ± 0.4 |
| <b>Horizontal Pattern:</b>                  |     |                                    |            |            |            |
| Azimuth Beamwidth                           | °   | 62 ± 5.7                           | 58 ± 3.7   | 57 ± 3.3   | 53 ± 5.1   |
| Front-to-Back Ratio, Total Power, ± 30°     | dB  | > 18                               | > 20       | > 22       | > 21       |
| <b>Vertical Pattern:</b>                    |     |                                    |            |            |            |
| Elevation Beamwidth                         | °   | 11.8 ± 1.3                         | 10.9 ± 0.6 | 10.7 ± 0.5 | 10.1 ± 0.7 |
| Electrical Downtilt continuously adjustable | °   | 2.5 – 11.5                         |            |            |            |
| Tilt Accuracy                               | °   | < 0.5                              | < 0.4      | < 0.5      | < 0.5      |
| First Upper Side Lobe Suppression           | dB  | > 16                               | > 17       | > 19       | > 21       |
| Cross Polar Isolation                       | dB  | > 25                               |            |            |            |
| Port to Port Isolation                      | dB  | > 25 dB (R1 // R2, Y1, Y2)         |            |            |            |
| Max. Effective Power per Port               | W   | 400 (at 50 °C ambient temperature) |            |            |            |

Values based on NGMN-P-BASTA (version 10.0) requirements.

| Right side, lowband                         |     | R2, connector 3 – 4                |            |            |            |
|---|-----|------------------------------------|------------|------------|------------|
| Frequency Range                             | MHz | 698 – 806                          | 791 – 862  | 824 – 894  | 880 – 960  |
| Gain at mid Tilt                            | dBi | 14.0                               | 14.7       | 15.0       | 15.5       |
| Gain over all Tilts                         | dBi | 14.0 ± 0.4                         | 14.7 ± 0.4 | 15.0 ± 0.5 | 15.5 ± 0.4 |
| <b>Horizontal Pattern:</b>                  |     |                                    |            |            |            |
| Azimuth Beamwidth                           | °   | 62 ± 4.8                           | 59 ± 4.0   | 57 ± 3.3   | 53 ± 4.2   |
| Front-to-Back Ratio, Total Power, ± 30°     | dB  | > 19                               | > 20       | > 21       | > 21       |
| <b>Vertical Pattern:</b>                    |     |                                    |            |            |            |
| Elevation Beamwidth                         | °   | 11.8 ± 0.9                         | 11.0 ± 0.6 | 10.8 ± 0.6 | 10.2 ± 0.9 |
| Electrical Downtilt continuously adjustable | °   | 2.5 – 11.5                         |            |            |            |
| Tilt Accuracy                               | °   | < 0.5                              | < 0.5      | < 0.5      | < 0.5      |
| First Upper Side Lobe Suppression           | dB  | > 16                               | > 17       | > 19       | > 21       |
| Cross Polar Isolation                       | dB  | > 25                               |            |            |            |
| Port to Port Isolation                      | dB  | > 25 dB (R2 // R1, Y1, Y2)         |            |            |            |
| Max. Effective Power per Port               | W   | 400 (at 50 °C ambient temperature) |            |            |            |

Values based on NGMN-P-BASTA (version 10.0) requirements.

| Left side, midband                          |     | Y1, connector 5–6                  |             |             |             |             |             |
|---|-----|------------------------------------|-------------|-------------|-------------|-------------|-------------|
| Frequency Range                             | MHz | 1427 – 1518                        | 1695 – 1880 | 1850 – 1990 | 1920 – 2170 | 2300 – 2400 | 2500 – 2690 |
| Gain at mid Tilt                            | dBi | 16.9                               | 17.6        | 17.9        | 17.9        | 17.6        | 17.7        |
| Gain over all Tilts                         | dBi | 16.9 ± 0.7                         | 17.5 ± 0.6  | 17.7 ± 0.8  | 17.9 ± 0.8  | 17.5 ± 0.7  | 17.7 ± 0.7  |
| <b>Horizontal Pattern:</b>                  |     |                                    |             |             |             |             |             |
| Azimuth Beamwidth                           | °   | 63 ± 4.9                           | 68 ± 3.8    | 68 ± 6.3    | 67 ± 4.9    | 67 ± 6.3    | 60 ± 5.5    |
| Front-to-Back Ratio, Total Power, ± 30°     | dB  | > 26                               | > 28        | > 26        | > 27        | > 27        | > 29        |
| <b>Vertical Pattern:</b>                    |     |                                    |             |             |             |             |             |
| Elevation Beamwidth                         | °   | 8.0 ± 0.4                          | 6.9 ± 0.4   | 6.4 ± 0.3   | 6.2 ± 0.4   | 5.7 ± 0.3   | 5.4 ± 0.3   |
| Electrical Downtilt continuously adjustable | °   | 2.0 – 12.0                         |             |             |             |             |             |
| Tilt Accuracy                               | °   | < 0.4                              | < 0.2       | < 0.2       | < 0.3       | < 0.3       | < 0.3       |
| First Upper Side Lobe Suppression           | dB  | > 15                               | > 20        | > 21        | > 19        | > 19        | > 19        |
| Cross Polar Isolation                       | dB  | > 25                               |             |             |             |             |             |
| Port to Port Isolation                      | dB  | > 28 dB (Y1 // R1, R2, Y2)         |             |             |             |             |             |
| Max. Effective Power per Port               | W   | 200 (at 50 °C ambient temperature) |             |             |             |             |             |

Values based on NGMN-P-BASTA (version 10.0) requirements.

| Right side, midband                         |     | Y2, connector 7–8                  |             |             |             |             |             |
|---|-----|------------------------------------|-------------|-------------|-------------|-------------|-------------|
| Frequency Range                             | MHz | 1427 – 1518                        | 1695 – 1880 | 1850 – 1990 | 1920 – 2170 | 2300 – 2400 | 2500 – 2690 |
| Gain at mid Tilt                            | dBi | 16.9                               | 17.5        | 17.8        | 17.9        | 17.5        | 17.7        |
| Gain over all Tilts                         | dBi | 16.9 ± 0.6                         | 17.5 ± 0.5  | 17.7 ± 0.8  | 17.9 ± 0.8  | 17.5 ± 0.6  | 17.6 ± 0.7  |
| <b>Horizontal Pattern:</b>                  |     |                                    |             |             |             |             |             |
| Azimuth Beamwidth                           | °   | 63 ± 4.0                           | 68 ± 4.1    | 68 ± 3.9    | 66 ± 6.2    | 66 ± 6.4    | 60 ± 5.4    |
| Front-to-Back Ratio, Total Power, ± 30°     | dB  | > 26                               | > 27        | > 26        | > 27        | > 26        | > 27        |
| <b>Vertical Pattern:</b>                    |     |                                    |             |             |             |             |             |
| Elevation Beamwidth                         | °   | 7.9 ± 0.4                          | 6.8 ± 0.4   | 6.4 ± 0.3   | 6.1 ± 0.4   | 5.6 ± 0.3   | 5.3 ± 0.3   |
| Electrical Downtilt continuously adjustable | °   | 2.0 – 12.0                         |             |             |             |             |             |
| Tilt Accuracy                               | °   | < 0.4                              | < 0.3       | < 0.3       | < 0.3       | < 0.3       | < 0.3       |
| First Upper Side Lobe Suppression           | dB  | > 15                               | > 18        | > 19        | > 18        | > 18        | > 17        |
| Cross Polar Isolation                       | dB  | > 25                               |             |             |             |             |             |
| Port to Port Isolation                      | dB  | > 28 dB (Y2 // R1, R2, Y1)         |             |             |             |             |             |
| Max. Effective Power per Port               | W   | 200 (at 50 °C ambient temperature) |             |             |             |             |             |

Values based on NGMN-P-BASTA (version 10.0) requirements.

## Electrical specifications, all ports

|                                      |          |                                     |
|--------------------------------------|----------|-------------------------------------|
| Impedance                            | $\Omega$ | 50                                  |
| VSWR                                 |          | < 1.5                               |
| Return Loss                          | dB       | > 14                                |
| Interband Isolation                  | dB       | > 25                                |
| Passive Intermodulation              | dBc      | < -153 (2 x 43 dBm carrier)*        |
| Polarization                         | °        | -45, +45                            |
| Max. Effective Power for the Antenna | W        | 1000 (at 50 °C ambient temperature) |

Values based on NGMN-P-BASTA (version 10.0) requirements.  
\* not applicable for L-band

## Mechanical specifications

|   |   |  |
|---|---|--|
| Input                                     | 8 x 4.3-10 female   |  |
| Connector Position                        | bottom  |  |
| Adjustment Mechanism                      | FlexRET, continuously adjustable                                  |  |
| Wind load (at Rated Wind Speed: 150 km/h) | N   lbf   | Frontal: 465   105<br>Maximal: 815   183                 |
| Max. Wind Velocity                        | km/h<br>mph   | 241<br>150   |
| Height / Width / Depth                    | mm<br>inches  | 1978 / 378 / 164<br>77.9 / 14.9 / 6.5                    |
| Category of Mounting Hardware             | XM (X-Medium)   |  |
| Weight                                    | kg<br>lb  | 35.9 / 40.4 (clamps incl.)<br>79.1 / 89.1 (clamps incl.) |
| Packing Size                              | mm<br>inches  | 2125 / 440 / 293<br>83.7 / 17.3 / 11.5                   |
| Scope of Supply                           | Panel, FlexRET and clamps for 55–115 mm   2.2–4.5 inches diameter |  |

## Accessories (order separately if required)

| Product No.   | Description          | Remarks<br>mm   inches  | Units per antenna |
|---------------|----------------------|---|-------------------|
| 85010097      | 2 clamps             | Mast diameter: 110–220   4.3–8.7                                  | 1                 |
| 85010110      | 1 downtilt kit       | Downtilt angle: 0°–10°  | 1                 |
| 86010154      | Site Sharing Adapter | 3-way (see figure below)  |                   |
| 86010155      | Site Sharing Adapter | 6-way (see figure below)  |                   |
| 86010162      | Gender Adapter       | Solely to be used in combination with a compatible FlexRET module | 1                 |
| KRY 121 108/1 | Port Extender        |   | 1                 |

## Accessories (included in the scope of supply)

| Product No. | Description | Remarks<br>mm   inches                      | Units per antenna |
|-------------|-------------|---|-------------------|
| 85010111    | 2 clamps    | Mast diameter: 55–115   2.2–4.5             | 1                 |
| 86010165    | FlexRET     | Compliant to 3GPP / AISG 2.0 – AISG 3 ready | 1                 |

For downtilt mounting use the clamps for an appropriate mast diameter together with the downtilt kit.  
Wall mounting: No additional mounting kit needed.

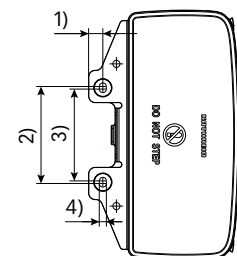
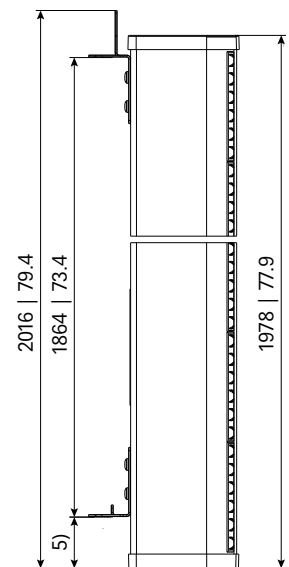
## Material:

**Reflector screen:** Aluminum.

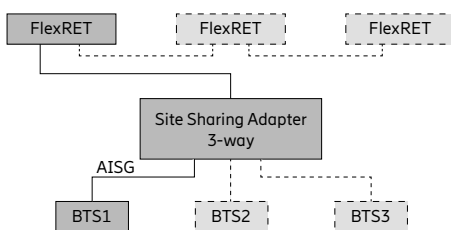
**Fiberglass housing:** It covers totally the internal antenna components. The special design reduces the sealing areas to a minimum and guarantees the best weather protection. Fiberglass material guarantees optimum performance with regards to stability, stiffness, UV resistance and painting. The color of the radome is light grey.  
**All nuts and bolts:** Stainless steel or hot-dip galvanized steel.

## Grounding:

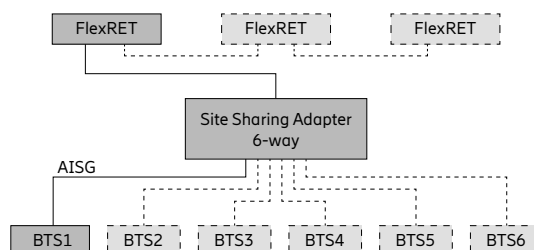
The metal parts of the antenna including the mounting kit and the inner conductors are DC grounded.



## Configuration example with Site Sharing Adapter 86010154



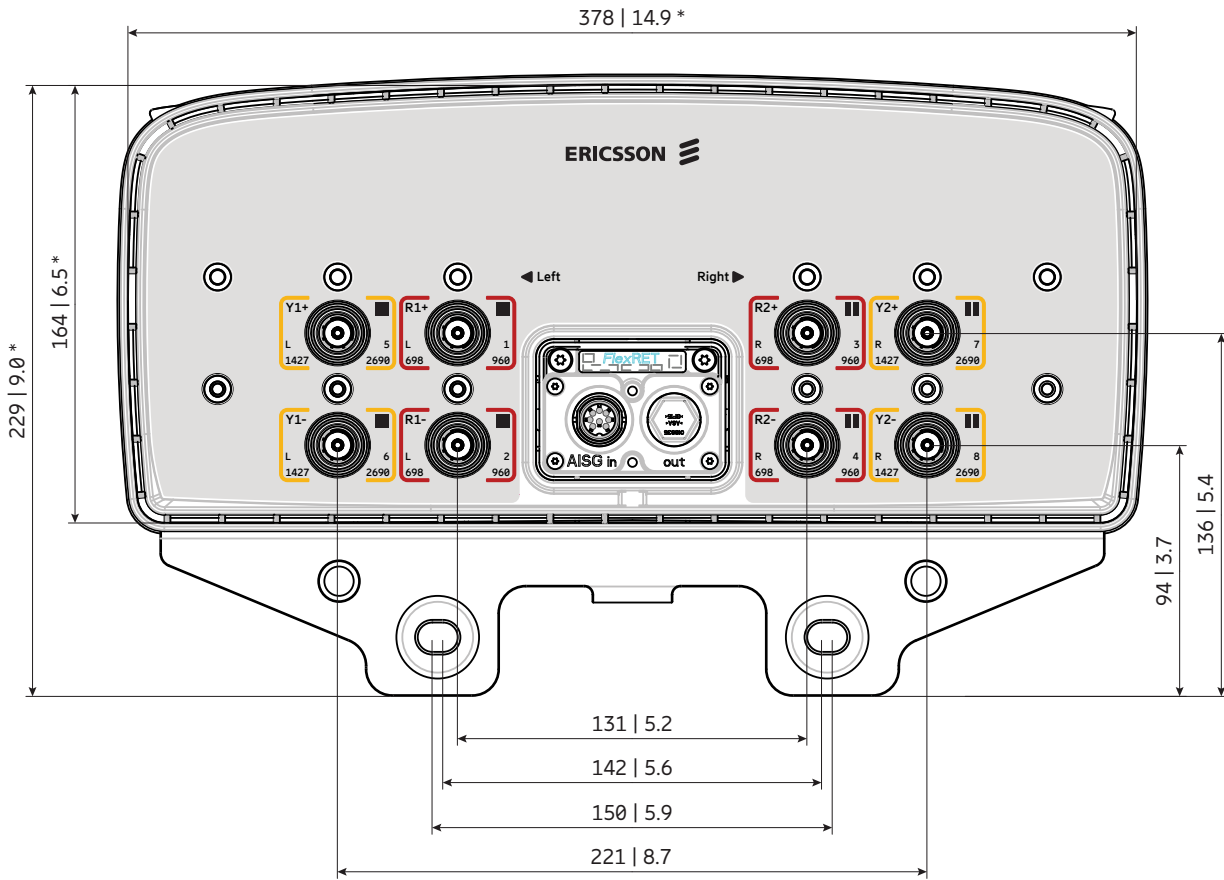
## Configuration example with Site Sharing Adapter 86010155



- 1) 22 | 0.9
- 2) 150 | 5.9
- 3) 142 | 5.6
- 4) 11 | 0.4
- 5) 79 | 3.1

For more information please refer to the respective data sheets.

## Layout of interface



Bottom view  
 \* Dimensions refer to radome  
 All dimensions in mm | inches

## Correlation Table

| Frequency range | Array | Connector / Ports |
|-----------------|-------|-------------------|
| 698–960 MHz     | R1    | 1–2               |
| 698–960 MHz     | R2    | 3–4               |
| 1427–2690 MHz   | Y1    | 5–6               |
| 1427–2690 MHz   | Y2    | 7–8               |







# Antenna 4000 2L 2M 1.8m

840480965

- Capacity
- Compact
- Coverage

65° | 2x 698–894 MHz | 15.0 dBi  
65° | 2x 1695–2360 MHz | 19.0 dBi  
FlexRET



[ericsson.com/antenna-system](https://ericsson.com/antenna-system)



Scan or [click](#)

2LB nMB

| Left side, Lowband                                      |     | R1, connector 1–2                      |            |
|---|-----|--|------------|
| Frequency Range   | MHz | 698 – 824                              | 824 – 894  |
| Gain at mid Tilt  | dBi | 14.4                                   | 15.3       |
| Gain over all Tilts                                     | dBi | 14.4 ± 0.5                             | 15.3 ± 0.2 |
| <b>Horizontal Pattern:</b>                              |     |  |            |
| Azimuth Beamwidth                                       | °   | 64 ± 5.8                               | 57 ± 3.9   |
| Front-to-Back Ratio, Total Power, ± 30°                 | dB  | > 21                                   | > 26       |
| <b>Vertical Pattern:</b>                                |     |  |            |
| Elevation Beamwidth                                     | °   | 13.0 ± 0.8                             | 11.7 ± 0.4 |
| Electrical Downtilt continuously adjustable             | °   | 2.5 – 10.0                             |            |
| Tilt Accuracy   | °   | < 0.6                                  | < 0.6      |
| First Upper Side Lobe Suppression                       | dB  | > 15                                   | > 16       |
| Upper Side Lobe Suppression, 20° Sector above Main Beam | dB  | > 15                                   | > 16       |
| Cross Polar Isolation                                   | dB  | > 25                                   |            |
| Port to Port Isolation                                  | dB  | > 25 (R1 // R2)<br>> 27 (R1 // Y1, Y2) |            |
| Max. Effective Power per Port                           | W   | 400 (at 50 °C ambient temperature)     |            |

Values based on NGMN-P-BASTA (version 10.0) requirements.

| Right side, lowband                                     |     | R2, connector 3–4                      |            |
|---|-----|--|------------|
| Frequency Range   | MHz | 698 – 824                              | 824 – 894  |
| Gain at mid Tilt  | dBi | 14.4                                   | 15.2       |
| Gain over all Tilts                                     | dBi | 14.4 ± 0.5                             | 15.2 ± 0.4 |
| <b>Horizontal Pattern:</b>                              |     |  |            |
| Azimuth Beamwidth                                       | °   | 64 ± 5.0                               | 57 ± 5.5   |
| Front-to-Back Ratio, Total Power, ± 30°                 | dB  | > 22                                   | > 27       |
| <b>Vertical Pattern:</b>                                |     |  |            |
| Elevation Beamwidth                                     | °   | 13.0 ± 0.9                             | 11.7 ± 0.4 |
| Electrical Downtilt continuously adjustable             | °   | 2.5 – 10.0                             |            |
| Tilt Accuracy   | °   | < 0.8                                  | < 0.6      |
| First Upper Side Lobe Suppression                       | dB  | > 14                                   | > 15       |
| Upper Side Lobe Suppression, 20° Sector above Main Beam | dB  | > 14                                   | > 15       |
| Cross Polar Isolation                                   | dB  | > 25                                   |            |
| Port to Port Isolation                                  | dB  | > 25 (R2 // R1)<br>> 27 (R2 // Y1, Y2) |            |
| Max. Effective Power per Port                           | W   | 400 (at 50 °C ambient temperature)     |            |

Values based on NGMN-P-BASTA (version 10.0) requirements.

| Left side, midband                                      |     | Y1, connector 5–6                  |             |             |             |
|---|-----|------------------------------------|-------------|-------------|-------------|
| Frequency Range   | MHz | 1695 – 1880                        | 1850 – 1990 | 1920 – 2200 | 2300 – 2360 |
| Gain at mid Tilt  | dBi | 18.5                               | 18.7        | 18.8        | 18.8        |
| Gain over all Tilts                                     | dBi | 18.4 ± 0.5                         | 18.6 ± 0.6  | 18.7 ± 0.5  | 18.7 ± 0.8  |
| <b>Horizontal Pattern:</b>                              |     |                                    |             |             |             |
| Azimuth Beamwidth                                       | °   | 63 ± 4.3                           | 66 ± 3.1    | 67 ± 5.1    | 65 ± 3.8    |
| Front-to-Back Ratio, Total Power, ± 30°                 | dB  | > 27                               | > 30        | > 31        | > 32        |
| <b>Vertical Pattern:</b>                                |     |                                    |             |             |             |
| Elevation Beamwidth                                     | °   | 5.6 ± 0.3                          | 5.1 ± 0.2   | 4.8 ± 0.3   | 4.4 ± 0.2   |
| Electrical Downtilt continuously adjustable             | °   | 1.0 – 10.0                         |             |             |             |
| Tilt Accuracy   | °   | < 0.2                              | < 0.2       | < 0.3       | < 0.2       |
| First Upper Side Lobe Suppression                       | dB  | > 18                               | > 18        | > 18        | > 19        |
| Upper Side Lobe Suppression, 20° Sector above Main Beam | dB  | > 16                               | > 18        | > 17        | > 16        |
| Cross Polar Isolation                                   | dB  | > 25                               |             |             |             |
| Port to Port Isolation                                  | dB  | > 27 (Y1 // R1, R2, Y2)            |             |             |             |
| Max. Effective Power per Port                           | W   | 200 (at 50 °C ambient temperature) |             |             |             |

Values based on NGMN-P-BASTA (version 10.0) requirements.

| Right side, midband                                     |     | Y2, connector 7–8                  |             |             |             |
|---|-----|------------------------------------|-------------|-------------|-------------|
| Frequency Range   | MHz | 1695 – 1880                        | 1850 – 1990 | 1920 – 2200 | 2300 – 2360 |
| Gain at mid Tilt  | dBi | 18.5                               | 18.7        | 18.8        | 18.6        |
| Gain over all Tilts                                     | dBi | 18.4 ± 0.7                         | 18.6 ± 0.6  | 18.7 ± 0.6  | 18.5 ± 0.7  |
| <b>Horizontal Pattern:</b>                              |     |                                    |             |             |             |
| Azimuth Beamwidth                                       | °   | 64 ± 4.5                           | 67 ± 3.1    | 67 ± 5.9    | 68 ± 4.6    |
| Front-to-Back Ratio, Total Power, ± 30°                 | dB  | > 27                               | > 29        | > 31        | > 31        |
| <b>Vertical Pattern:</b>                                |     |                                    |             |             |             |
| Elevation Beamwidth                                     | °   | 5.5 ± 0.4                          | 5.0 ± 0.3   | 4.8 ± 0.3   | 4.4 ± 0.2   |
| Electrical Downtilt continuously adjustable             | °   | 1.0 – 10.0                         |             |             |             |
| Tilt Accuracy   | °   | < 0.2                              | < 0.2       | < 0.2       | < 0.2       |
| First Upper Side Lobe Suppression                       | dB  | > 16                               | > 16        | > 16        | > 17        |
| Upper Side Lobe Suppression, 20° Sector above Main Beam | dB  | > 16                               | > 16        | > 16        | > 16        |
| Cross Polar Isolation                                   | dB  | > 25                               |             |             |             |
| Port to Port Isolation                                  | dB  | > 27 (Y2 // R1, R2, Y1)            |             |             |             |
| Max. Effective Power per Port                           | W   | 200 (at 50 °C ambient temperature) |             |             |             |

Values based on NGMN-P-BASTA (version 10.0) requirements.

## Electrical specifications, all ports

|                                      |            |                                     |
|--------------------------------------|------------|-------------------------------------|
| Impedance                            | $\Omega$   | 50                                  |
| VSWR                                 |            | < 1.5                               |
| Return Loss                          | dB         | > 14                                |
| Interband Isolation                  | dB         | > 27                                |
| Passive Intermodulation              | dBc        | < -153 (2 x 43 dBm carrier)         |
| Polarization                         | $^{\circ}$ | -45, +45                            |
| Max. Effective Power for the Antenna | W          | 1200 (at 50 °C ambient temperature) |

Values based on NGMN-P-BASTA (version 10.0) requirements.

## Mechanical specifications

|   |   |   |
|---|---|---|
| Input                                     | 8 x 4.3-10 female   |   |
| Connector Position                        | bottom  |   |
| Adjustment Mechanism                      | FlexRET, continuously adjustable                                  |   |
| Wind load (at Rated Wind Speed: 150 km/h) | N   lbf   | Frontal: 825   186<br>Maximal: 935   210<br>Lateral: 325   73           |
| EPA                                       | m <sup>2</sup>   ft <sup>2</sup>                                  | Frontal: 0.759   8.17<br>Maximal: 0.859   9.25<br>Lateral: 0.298   3.21 |
| Max. Wind Velocity                        | km/h<br>mph   | 241<br>150  |
| Height / Width / Depth                    | mm<br>inches  | 1828 / 488 / 164<br>72.0 / 19.2 / 6.5                                   |
| Category of Mounting Hardware             | XM (X-Medium)   |   |
| Weight                                    | kg<br>lb  | 39.5 / 44.0 (clamps incl.)<br>87.1 / 97.0 (clamps incl.)                |
| Packing Size                              | mm<br>inches  | 1975 / 550 / 293<br>77.8 / 21.7 / 11.5                                  |
| Scope of Supply                           | Panel, FlexRET and clamps for 55–115 mm   2.2–4.5 inches diameter |   |

## Accessories (order separately if required)

| Product No. | Description          | Remarks<br>mm   inches           | Units per antenna |
|-------------|----------------------|----------------------------------|-------------------|
| 85010097    | 2 clamps             | Mast diameter: 110–220   4.3–8.7 | 1                 |
| 85010110    | 1 downtilt kit       | Downtilt angle: 0°–14°           | 1                 |
| 86010154    | Site Sharing Adapter | 3-way (see figure below)         |                   |
| 86010155    | Site Sharing Adapter | 6-way (see figure below)         |                   |

## Accessories (included in the scope of supply)

| Product No. | Description | Remarks<br>mm   inches                      | Units per antenna |
|-------------|-------------|---|-------------------|
| 85010111    | 2 clamps    | Mast diameter: 55–115   2.2–4.5             | 1                 |
| 86010165    | FlexRET     | Compliant to 3GPP / AISG 2.0 – AISG 3 ready | 1                 |

For downtilt mounting use the clamps for an appropriate mast diameter together with the downtilt kit. Wall mounting: No additional mounting kit needed.

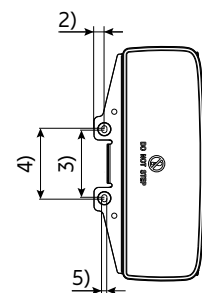
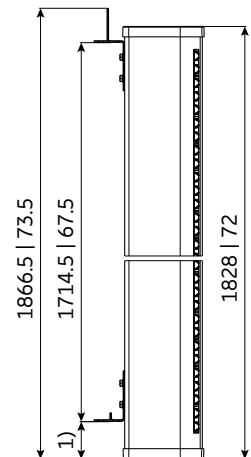
## Material:

**Reflector screen:** Aluminum.

**Fiberglass housing:** It covers totally the internal antenna components. The special design reduces the sealing areas to a minimum and guarantees the best weather protection. Fiberglass material guarantees optimum performance with regards to stability, stiffness, UV resistance and painting. The color of the radome is light grey.

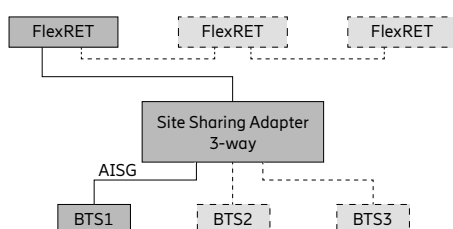
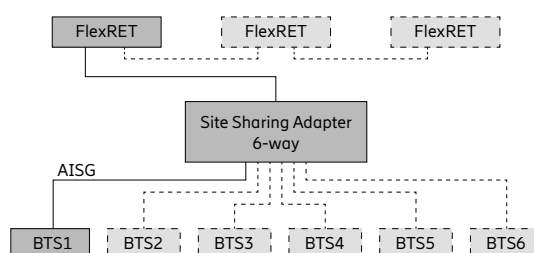
## Grounding:

The metal parts of the antenna including the mounting kit and the inner conductors are DC grounded.



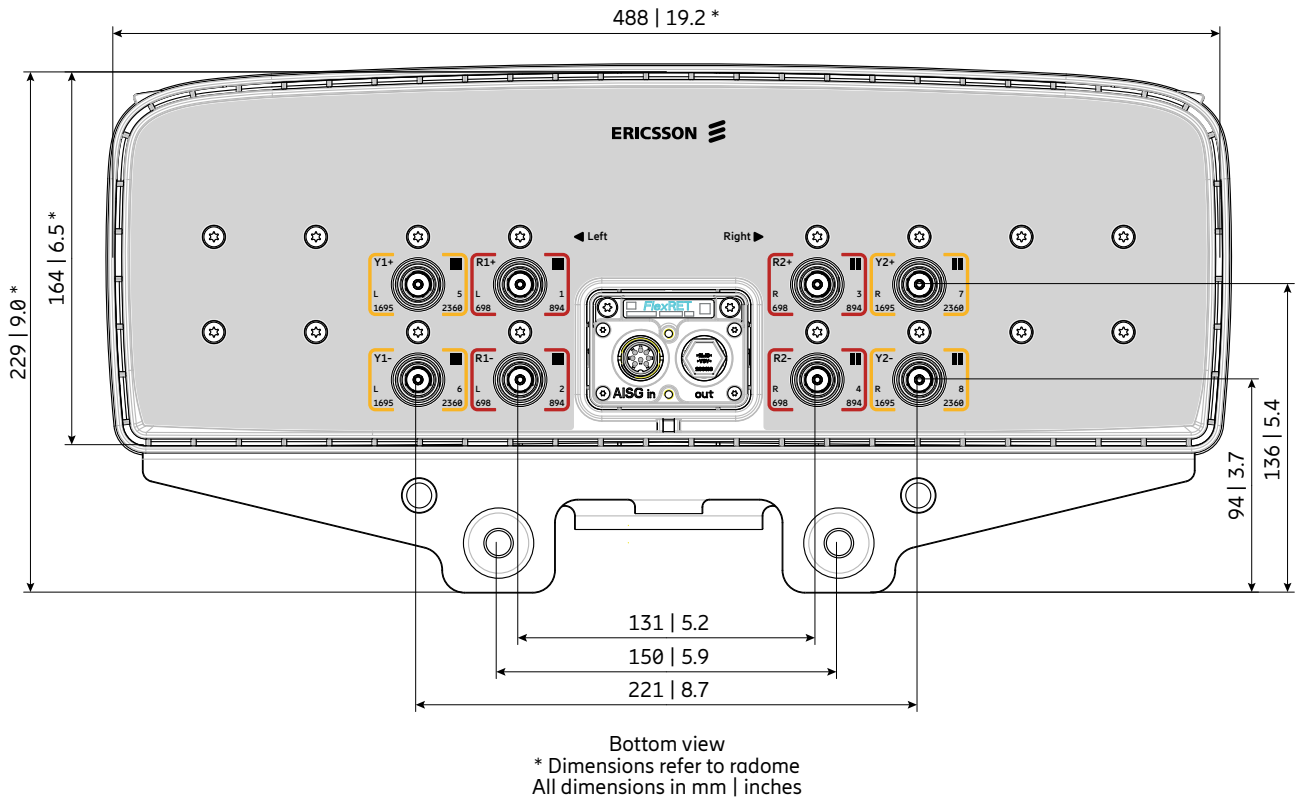
- 1) 79 | 3.1
- 2) 22 | 0.9
- 3) 142 | 5.6
- 4) 150 | 5.9
- 5)  $\varnothing$  11 | 0.4

All dimensions  
in mm | inches

Configuration example  
with Site Sharing Adapter 86010154Configuration example  
with Site Sharing Adapter 86010155

For more information please refer to the respective data sheets.

## Layout of interface



## Correlation Table

| Frequency range | Array | Connector / Ports |
|-----------------|-------|-------------------|
| 698–894 MHz     | R1    | 1–2               |
| 698–894 MHz     | R2    | 3–4               |
| 1695–2360 MHz   | Y1    | 5–6               |
| 1695–2360 MHz   | Y2    | 7–8               |





# Antenna 4000 2L 2M 2.4m

80010966

Capacity    Compact    Coverage

65° | 2x 698–960 MHz | 16.5 dBi  
65° | 2x 1695–2690 MHz | 18.0 dBi  
FlexRET



[ericsson.com/antenna-system](http://ericsson.com/antenna-system)



Scan or [click](#)

2LB nMB

| Left side, lowband                          |     | R1, connector 1–2                      |            |            |            |
|---|-----|--|------------|------------|------------|
| Frequency Range                             | MHz | 698 – 806                              | 791 – 862  | 824 – 894  | 880 – 960  |
| Gain at mid Tilt                            | dBi | 15.7                                   | 16.1       | 16.4       | 16.5       |
| Gain over all Tilts                         | dBi | 15.6 ± 0.4                             | 16.1 ± 0.3 | 16.3 ± 0.3 | 16.4 ± 0.3 |
| <b>Horizontal Pattern:</b>                  |     |  |            |            |            |
| Azimuth Beamwidth                           | °   | 66 ± 2.9                               | 65 ± 2.3   | 65 ± 2.6   | 64 ± 2.9   |
| Front-to-Back Ratio, Total Power, ± 30°     | dB  | > 23                                   | > 23       | > 24       | > 25       |
| Cross Polar Discrimination over Sector      | dB  | > 10.0                                 | > 9.5      | > 10.0     | > 11.5     |
| <b>Vertical Pattern:</b>                    |     |  |            |            |            |
| Elevation Beamwidth                         | °   | 9.7 ± 0.7                              | 9.0 ± 0.5  | 8.7 ± 0.5  | 8.3 ± 0.4  |
| Electrical Downtilt continuously adjustable | °   | 1.0 – 10.0                             |            |            |            |
| Tilt Accuracy                               | °   | < 0.4                                  | < 0.4      | < 0.4      | < 0.4      |
| First Upper Side Lobe Suppression           | dB  | > 16                                   | > 18       | > 18       | > 20       |
| Cross Polar Isolation                       | dB  | > 30                                   |            |            |            |
| Port to Port Isolation                      | dB  | > 27 (R1 // R2)<br>> 30 (R1 // Y1, Y2) |            |            |            |
| Max. Effective Power per Port               | W   | 400 (at 50 °C ambient temperature)     |            |            |            |
| Max. Effective Power Ports R1               | W   | 800 (at 50 °C ambient temperature)     |            |            |            |

Values based on NGMN-P-BASTA (version 9.6) requirements.

| Right side, lowband                         |     | R2, connector 3–4                      |            |            |            |
|---|-----|--|------------|------------|------------|
| Frequency Range                             | MHz | 698 – 806                              | 791 – 862  | 824 – 894  | 880 – 960  |
| Gain at mid Tilt                            | dBi | 15.5                                   | 16.0       | 16.3       | 16.6       |
| Gain over all Tilts                         | dBi | 15.5 ± 0.6                             | 16.0 ± 0.5 | 16.3 ± 0.4 | 16.5 ± 0.4 |
| <b>Horizontal Pattern:</b>                  |     |  |            |            |            |
| Azimuth Beamwidth                           | °   | 67 ± 3.5                               | 65 ± 2.6   | 64 ± 3.0   | 63 ± 4.3   |
| Front-to-Back Ratio, Total Power, ± 30°     | dB  | > 22                                   | > 23       | > 24       | > 26       |
| Cross Polar Discrimination over Sector      | dB  | > 9.5                                  | > 10.5     | > 10.0     | > 11.5     |
| <b>Vertical Pattern:</b>                    |     |  |            |            |            |
| Elevation Beamwidth                         | °   | 9.8 ± 0.6                              | 9.0 ± 0.7  | 8.6 ± 0.4  | 8.1 ± 0.5  |
| Electrical Downtilt continuously adjustable | °   | 1.0 – 10.0                             |            |            |            |
| Tilt Accuracy                               | °   | < 0.4                                  | < 0.4      | < 0.4      | < 0.3      |
| First Upper Side Lobe Suppression           | dB  | > 18                                   | > 21       | > 20       | > 20       |
| Cross Polar Isolation                       | dB  | > 30                                   |            |            |            |
| Port to Port Isolation                      | dB  | > 27 (R2 // R1)<br>> 30 (R2 // Y1, Y2) |            |            |            |
| Max. Effective Power per Port               | W   | 400 (at 50 °C ambient temperature)     |            |            |            |
| Max. Effective Power Ports R2               | W   | 800 (at 50 °C ambient temperature)     |            |            |            |

Values based on NGMN-P-BASTA (version 9.6) requirements.

| Left side, midband                          |     | Y1, connector 5–6                  |             |             |             |             |
|---|-----|------------------------------------|-------------|-------------|-------------|-------------|
| Frequency Range                             | MHz | 1695 – 1880                        | 1850 – 1990 | 1920 – 2180 | 2300 – 2400 | 2500 – 2690 |
| Gain at mid Tilt                            | dBi | 17.6                               | 18.0        | 18.3        | 18.1        | 17.9        |
| Gain over all Tilts                         | dBi | 17.5 ± 0.4                         | 17.9 ± 0.4  | 18.1 ± 0.5  | 18.0 ± 0.6  | 17.8 ± 0.6  |
| <b>Horizontal Pattern:</b>                  |     |                                    |             |             |             |             |
| Azimuth Beamwidth                           | °   | 64 ± 4.9                           | 64 ± 5.0    | 62 ± 5.4    | 57 ± 5.7    | 61 ± 7.1    |
| Front-to-Back Ratio, Total Power, ± 30°     | dB  | > 24                               | > 26        | > 26        | > 25        | > 24        |
| Cross Polar Discrimination over Sector      | dB  | > 8.5                              | > 11.5      | > 10.0      | > 7.5       | > 9.0       |
| <b>Vertical Pattern:</b>                    |     |                                    |             |             |             |             |
| Elevation Beamwidth                         | °   | 6.4 ± 0.5                          | 5.9 ± 0.3   | 5.5 ± 0.4   | 4.8 ± 0.3   | 4.4 ± 0.2   |
| Electrical Downtilt continuously adjustable | °   | 2.5 – 12.0                         |             |             |             |             |
| Tilt Accuracy                               | °   | < 0.2                              | < 0.2       | < 0.2       | < 0.2       | < 0.2       |
| First Upper Side Lobe Suppression           | dB  | > 19                               | > 19        | > 17        | > 19        | > 17        |
| Cross Polar Isolation                       | dB  | > 28                               |             |             |             |             |
| Port to Port Isolation                      | dB  | > 30 (Y1 // R1, R2, Y2)            |             |             |             |             |
| Max. Effective Power per Port               | W   | 200 (at 50 °C ambient temperature) |             |             |             |             |
| Max. Effective Power Ports Y1               | W   | 400 (at 50 °C ambient temperature) |             |             |             |             |

Values based on NGMN-P-BASTA (version 9.6) requirements.

| Right side, midband                         |     | Y2, connector 7–8                  |             |             |             |             |
|---|-----|------------------------------------|-------------|-------------|-------------|-------------|
| Frequency Range                             | MHz | 1695 – 1880                        | 1850 – 1990 | 1920 – 2180 | 2300 – 2400 | 2500 – 2690 |
| Gain at mid Tilt                            | dBi | 17.5                               | 17.9        | 18.2        | 18.3        | 18.1        |
| Gain over all Tilts                         | dBi | 17.4 ± 0.5                         | 17.8 ± 0.4  | 18.0 ± 0.6  | 18.2 ± 0.6  | 17.9 ± 0.6  |
| <b>Horizontal Pattern:</b>                  |     |                                    |             |             |             |             |
| Azimuth Beamwidth                           | °   | 66 ± 3.0                           | 66 ± 5.5    | 63 ± 6.9    | 56 ± 7.1    | 57 ± 7.7    |
| Front-to-Back Ratio, Total Power, ± 30°     | dB  | > 25                               | > 24        | > 25        | > 27        | > 25        |
| Cross Polar Discrimination over Sector      | dB  | > 9.5                              | > 11.0      | > 10.0      | > 9.5       | > 10.5      |
| <b>Vertical Pattern:</b>                    |     |                                    |             |             |             |             |
| Elevation Beamwidth                         | °   | 6.4 ± 0.5                          | 5.9 ± 0.3   | 5.6 ± 0.4   | 4.9 ± 0.4   | 4.4 ± 0.2   |
| Electrical Downtilt continuously adjustable | °   | 2.5 – 12.0                         |             |             |             |             |
| Tilt Accuracy                               | °   | < 0.2                              | < 0.2       | < 0.2       | < 0.2       | < 0.1       |
| First Upper Side Lobe Suppression           | dB  | > 19                               | > 18        | > 18        | > 19        | > 18        |
| Cross Polar Isolation                       | dB  | > 28                               |             |             |             |             |
| Port to Port Isolation                      | dB  | > 30 (Y2 // R1, R2, Y1)            |             |             |             |             |
| Max. Effective Power per Port               | W   | 200 (at 50 °C ambient temperature) |             |             |             |             |
| Max. Effective Power Ports Y2               | W   | 400 (at 50 °C ambient temperature) |             |             |             |             |

Values based on NGMN-P-BASTA (version 9.6) requirements.



## Electrical specifications, all ports

|                                      |            |                                     |
|--------------------------------------|------------|-------------------------------------|
| Impedance                            | $\Omega$   | 50                                  |
| VSWR                                 |            | < 1.5                               |
| Return Loss                          | dB         | > 14                                |
| Interband Isolation                  | dB         | > 27                                |
| Passive Intermodulation              | dBc        | < -153 (2 x 43 dBm carrier)         |
| Polarization                         | $^{\circ}$ | +45, -45                            |
| Max. Effective Power for the Antenna | W          | 1200 (at 50 °C ambient temperature) |

Values based on NGMN-P-BASTA (version 9.6) requirements.

## Mechanical specifications

|   |   |  |
|---|---|--|
| Input                                     | 8x 4.3-10 female  |  |
| Connector Position                        | bottom  |  |
| Adjustment Mechanism                      | FlexRET,<br>continuously adjustable                               |  |
| Wind load (at Rated Wind Speed: 150 km/h) | N   lbf   | Frontal: 1400   315<br>Maximal: 1405   316                 |
| Max. Wind Velocity                        | km/h<br>mph   | 241<br>150   |
| Height / Width / Depth                    | mm<br>inches  | 2438 / 508 / 175<br>96.0 / 20.0 / 6.9                      |
| Category of Mounting Hardware             | XH (X-Heavy)  |  |
| Weight                                    | kg<br>lb  | 47.1 / 52.1 (clamps incl.)<br>103.8 / 114.9 (clamps incl.) |
| Packing Size                              | mm<br>inches  | 2635 / 542 / 268<br>103.7 / 21.3 / 10.6                    |
| Scope of Supply                           | Panel, FlexRET and clamps for 55–115 mm   2.2–4.5 inches diameter |  |

## Accessories (order separately if required)

| Product No.   | Description          | Remarks<br>mm   inches  | Units per antenna |
|---------------|----------------------|---|-------------------|
| 85010097      | 2 clamps             | Mast diameter: 110–220   4.3–8.7                                  | 1                 |
| 85010099      | 1 downtilt kit       | Downtilt angle: 0°–10°  | 1                 |
| 86010154      | Site Sharing Adapter | 3-way (see figure below)  |                   |
| 86010155      | Site Sharing Adapter | 6-way (see figure below)  |                   |
| 86010162      | Gender Adapter       | Solely to be used in combination with a compatible FlexRET module | 1                 |
| KRY 121 108/1 | Port Extender        |   | 1                 |

## Accessories (included in the scope of supply)

| Product No. | Description | Remarks<br>mm   inches          | Units per antenna |
|-------------|-------------|---------------------------------|-------------------|
| 85010096    | 2 clamps    | Mast diameter: 55–115   2.2–4.5 | 1                 |
| 86010153V01 | FlexRET     | Compliant to 3GPP / AISG 2.0    | 1                 |

For downtilt mounting use the clamps for an appropriate mast diameter together with the downtilt kit. Wall mounting: No additional mounting kit needed.

**Material:**

**Reflector screen:** Aluminum.

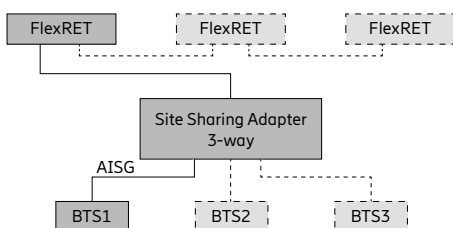
**Fiberglass housing:** It covers totally the internal antenna components. The special design reduces the sealing areas to a minimum and guarantees the best weather protection. Fiberglass material guarantees optimum performance with regards to stability, stiffness, UV resistance and painting. The color of the radome is light grey.

**All nuts and bolts:** Stainless steel or hot-dip galvanized steel.

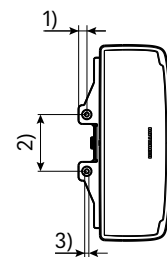
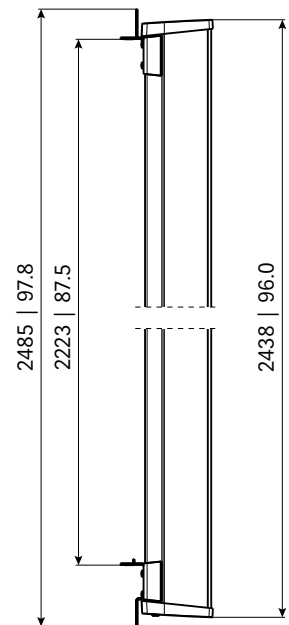
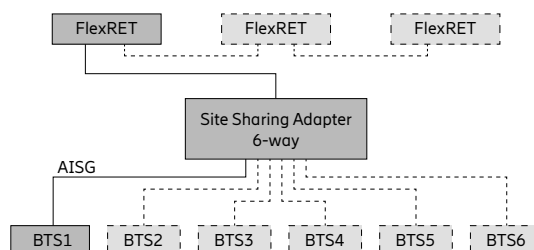
**Grounding:**

The metal parts of the antenna including the mounting kit and the inner conductors are DC grounded.

## Configuration example with Site Sharing Adapter 86010154



## Configuration example with Site Sharing Adapter 86010155

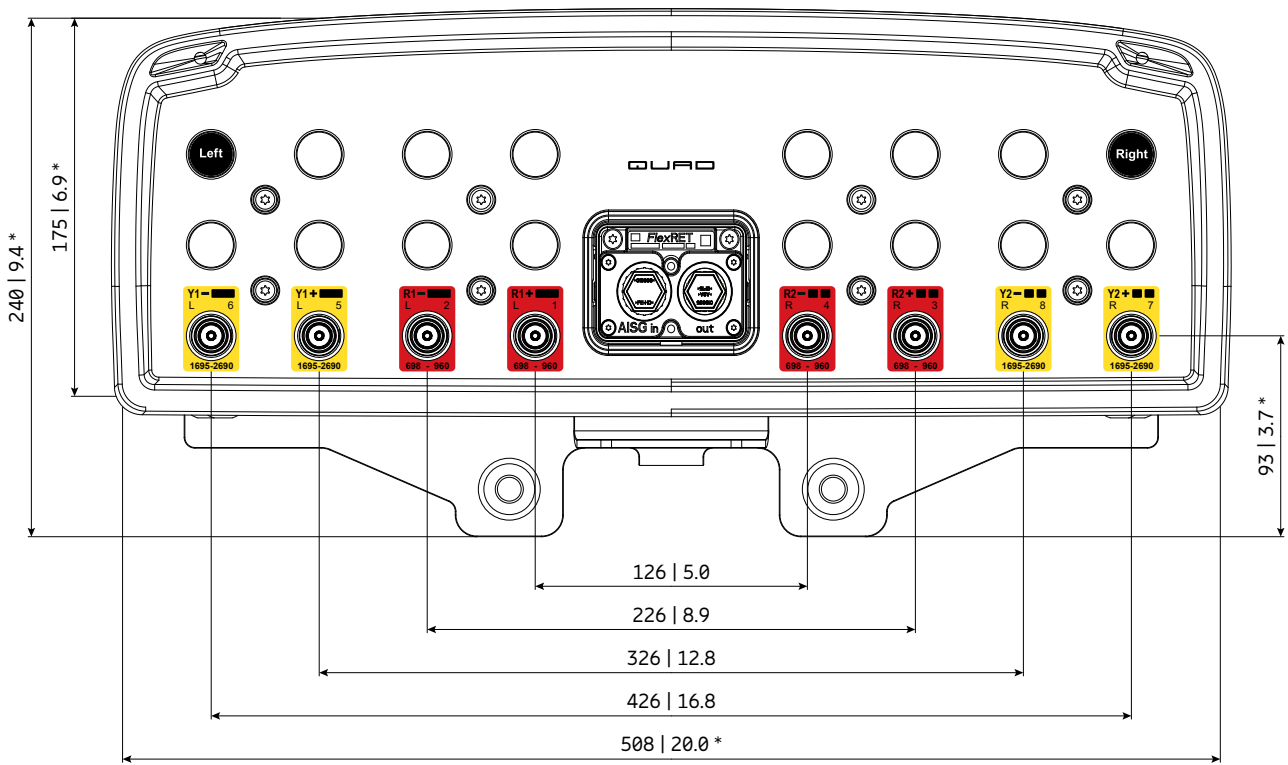


- 1) 22 | 0.9
- 2) 150 | 5.9
- 3)  $\varnothing$  11 | 0.4

All dimensions in mm | inches

For more information please refer to the respective data sheets.

## Layout of interface

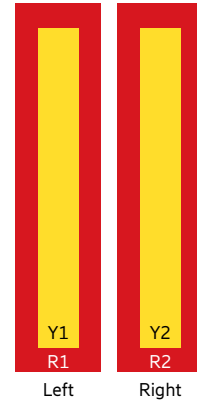


Bottom view  
\* Dimensions refer to radome  
All dimensions in mm | inches

## Correlation Table

| Frequency range | Array | Connector / Ports |
|-----------------|-------|-------------------|
| 698–960 MHz     | R1    | 1–2               |
| 698–960 MHz     | R2    | 3–4               |
| 1695–2690 MHz   | Y1    | 5–6               |
| 1695–2690 MHz   | Y2    | 7–8               |





2LB nMB

# Antenna 4001 2L 2M 2.4m

840370966

Capacity

Compact

Coverage

65° | 2x 698–894 MHz | 15.5 dBi  
65° | 2x 1695–2360 MHz | 18.0 dBi  
FlexRET  
Ultra compact width



[ericsson.com/antenna-system](https://ericsson.com/antenna-system)



Scan or [click](#)

| Left side, lowband                          |     | R1, connector 1 – 2                |            |
|---|-----|------------------------------------|------------|
| Frequency Range                             | MHz | 698 – 824                          | 824 – 894  |
| Gain at mid Tilt                            | dBi | 14.8                               | 15.9       |
| Gain over all Tilts                         | dBi | 14.8 ± 0.5                         | 15.9 ± 0.4 |
| <b>Horizontal Pattern:</b>                  |     |                                    |            |
| Azimuth Beamwidth                           | °   | 60 ± 4.4                           | 56 ± 4.2   |
| Front-to-Back Ratio, ± 30°                  | dB  | > 25                               | > 25       |
| Cross Polar Discrimination at Boresight     | dB  | > 16                               | > 22       |
| Cross Polar Discrimination over Sector      | dB  | > 7.5                              | > 9.5      |
| <b>Vertical Pattern:</b>                    |     |                                    |            |
| Elevation Beamwidth                         | °   | 9.8 ± 0.6                          | 8.8 ± 0.3  |
| Electrical Downtilt continuously adjustable | °   | 1.0 – 10.0                         |            |
| Tilt Accuracy                               | °   | < 0.8                              | < 0.6      |
| First Upper Side Lobe Suppression           | dB  | > 16                               | > 17       |
| Cross Polar Isolation                       | dB  | > 25 typically                     |            |
| Port to Port Isolation                      | dB  | > 25 (R1 // R2, Y1, Y2) typically  |            |
| Max. Effective Power per Port               | W   | 400 (at 50 °C ambient temperature) |            |
| Max. Effective Power Ports R1               | W   | 800 (at 50 °C ambient temperature) |            |

Values based on NGMN-P-BASTA (version 9.6) requirements.

| Right side, lowband                         |     | R2, connector 3 – 4                |            |
|---|-----|------------------------------------|------------|
| Frequency Range                             | MHz | 698 – 824                          | 824 – 894  |
| Gain at mid Tilt                            | dBi | 14.8                               | 15.8       |
| Gain over all Tilts                         | dBi | 14.8 ± 0.5                         | 15.8 ± 0.4 |
| <b>Horizontal Pattern:</b>                  |     |                                    |            |
| Azimuth Beamwidth                           | °   | 60 ± 4.5                           | 57 ± 4.8   |
| Front-to-Back Ratio, ± 30°                  | dB  | > 25                               | > 25       |
| Cross Polar Discrimination at Boresight     | dB  | > 16                               | > 21       |
| Cross Polar Discrimination over Sector      | dB  | > 8.0                              | > 11.0     |
| <b>Vertical Pattern:</b>                    |     |                                    |            |
| Elevation Beamwidth                         | °   | 9.8 ± 0.6                          | 8.8 ± 0.4  |
| Electrical Downtilt continuously adjustable | °   | 1.0 – 10.0                         |            |
| Tilt Accuracy                               | °   | < 0.8                              | < 0.4      |
| First Upper Side Lobe Suppression           | dB  | > 16                               | > 19       |
| Cross Polar Isolation                       | dB  | > 25 typically                     |            |
| Port to Port Isolation                      | dB  | > 25 (R2 // R1, Y1, Y2) typically  |            |
| Max. Effective Power per Port               | W   | 400 (at 50 °C ambient temperature) |            |
| Max. Effective Power Ports R2               | W   | 800 (at 50 °C ambient temperature) |            |

Values based on NGMN-P-BASTA (version 9.6) requirements.

| Left side, midband                          |     | Y1, connector 5–6                  |             |             |             |
|---|-----|------------------------------------|-------------|-------------|-------------|
| Frequency Range                             | MHz | 1695 – 1880                        | 1850 – 1990 | 1920 – 2170 | 2305 – 2360 |
| Gain at mid Tilt                            | dBi | 17.8                               | 18.1        | 18.3        | 18.3        |
| Gain over all Tilts                         | dBi | 17.7 ± 0.3                         | 17.9 ± 0.4  | 18.2 ± 0.6  | 18.2 ± 0.4  |
| <b>Horizontal Pattern:</b>                  |     |                                    |             |             |             |
| Azimuth Beamwidth                           | °   | 64 ± 4.0                           | 66 ± 4.2    | 63 ± 5.6    | 64 ± 4.0    |
| Front-to-Back Ratio, ± 30°                  | dB  | > 26                               | > 28        | > 29        | > 30        |
| Cross Polar Discrimination at Boresight     | dB  | > 17                               | > 23        | > 23        | > 19        |
| Cross Polar Discrimination over Sector      | dB  | > 11.5                             | > 12.5      | > 9.5       | > 8.5       |
| <b>Vertical Pattern:</b>                    |     |                                    |             |             |             |
| Elevation Beamwidth                         | °   | 6.0 ± 0.3                          | 5.5 ± 0.3   | 5.2 ± 0.4   | 4.6 ± 0.2   |
| Electrical Downtilt continuously adjustable | °   | 2.5 – 12.0                         |             |             |             |
| Tilt Accuracy                               | °   | < 0.3                              | < 0.4       | < 0.4       | < 0.5       |
| First Upper Side Lobe Suppression           | dB  | > 18                               | > 21        | > 19        | > 20        |
| Cross Polar Isolation                       | dB  | > 25                               |             |             |             |
| Port to Port Isolation                      | dB  | > 25 (Y1 // R1, R2, Y2)            |             |             |             |
| Max. Effective Power per Port               | W   | 200 (at 50 °C ambient temperature) |             |             |             |
| Max. Effective Power Ports Y1               | W   | 400 (at 50 °C ambient temperature) |             |             |             |

Values based on NGMN-P-BASTA (version 9.6) requirements.

| Right side, midband                         |     | Y2, connector 7–8                  |             |             |             |
|---|-----|------------------------------------|-------------|-------------|-------------|
| Frequency Range                             | MHz | 1695 – 1880                        | 1850 – 1990 | 1920 – 2170 | 2305 – 2360 |
| Gain at mid Tilt                            | dBi | 17.7                               | 18.2        | 18.3        | 18.4        |
| Gain over all Tilts                         | dBi | 17.7 ± 0.3                         | 18.0 ± 0.4  | 18.2 ± 0.6  | 18.3 ± 0.5  |
| <b>Horizontal Pattern:</b>                  |     |                                    |             |             |             |
| Azimuth Beamwidth                           | °   | 64 ± 4.1                           | 66 ± 4.0    | 63 ± 5.5    | 63 ± 4.3    |
| Front-to-Back Ratio, ± 30°                  | dB  | > 25                               | > 27        | > 28        | > 32        |
| Cross Polar Discrimination at Boresight     | dB  | > 17                               | > 23        | > 24        | > 20        |
| Cross Polar Discrimination over Sector      | dB  | > 12.0                             | > 12.5      | > 8.5       | > 9.0       |
| <b>Vertical Pattern:</b>                    |     |                                    |             |             |             |
| Elevation Beamwidth                         | °   | 6.0 ± 0.3                          | 5.5 ± 0.3   | 5.2 ± 0.4   | 4.6 ± 0.2   |
| Electrical Downtilt continuously adjustable | °   | 2.5 – 12.0                         |             |             |             |
| Tilt Accuracy                               | °   | < 0.3                              | < 0.3       | < 0.3       | < 0.3       |
| First Upper Side Lobe Suppression           | dB  | > 18                               | > 21        | > 19        | > 19        |
| Cross Polar Isolation                       | dB  | > 25                               |             |             |             |
| Port to Port Isolation                      | dB  | > 25 (Y2 // R1, R2, Y1)            |             |             |             |
| Max. Effective Power per Port               | W   | 200 (at 50 °C ambient temperature) |             |             |             |
| Max. Effective Power Ports Y2               | W   | 400 (at 50 °C ambient temperature) |             |             |             |

Values based on NGMN-P-BASTA (version 9.6) requirements.

## Electrical specifications, all ports

|                                      |            |                                     |
|--------------------------------------|------------|-------------------------------------|
| Impedance                            | $\Omega$   | 50                                  |
| VSWR                                 |            | < 1.5                               |
| Return Loss                          | dB         | > 14                                |
| Interband Isolation                  | dB         | > 25                                |
| Passive Intermodulation              | dBc        | < -153 (2 x 43 dBm carrier)         |
| Polarization                         | $^{\circ}$ | +45, -45                            |
| Max. Effective Power for the Antenna | W          | 1000 (at 50 °C ambient temperature) |

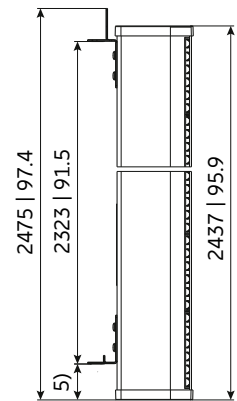
Values based on NGMN-P-BASTA (version 9.6) requirements.

## Mechanical specifications

|   |              |   |
|---|--------------|---|
| Input                                     |              | 8x 4.3-10 female  |
| Connector Position                        |              | bottom  |
| Adjustment Mechanism                      |              | FlexRET,<br>continuously adjustable                               |
| Wind load (at Rated Wind Speed: 150 km/h) | N   lbf      | Frontal: 590   132<br>Lateral: 485   109<br>Maximal: 1035   233   |
| Max. Wind Velocity                        | km/h<br>mph  | 241<br>150  |
| Height / Width / Depth                    | mm<br>inches | 2437 / 378 / 164<br>96.0 / 14.9 / 6.5                             |
| Category of Mounting Hardware             |              | XM (X-Medium)   |
| Weight                                    | kg<br>lb     | 39.3 / 43.8 (clamps incl.)<br>86.6 / 96.9 (clamps incl.)          |
| Packing Size                              | mm<br>inches | 2585 / 440 / 293<br>101.8 / 17.3 / 11.5                           |
| Scope of Supply                           |              | Panel, FlexRET and clamps for 55–115 mm   2.2–4.5 inches diameter |

## Accessories (order separately if required)

| Product No.   | Description          | Remarks<br>mm   inches  | Units per antenna |
|---------------|----------------------|---|-------------------|
| 85010097      | 2 clamps             | Mast diameter: 110–220   4.3–8.7                                  | 1                 |
| 85010110      | 1 downtilt kit       | Downtilt angle: 0°–10°  | 1                 |
| 86010154      | Site Sharing Adapter | 3-way (see figure below)  |                   |
| 86010155      | Site Sharing Adapter | 6-way (see figure below)  |                   |
| 86010162      | Gender Adapter       | Solely to be used in combination with a compatible FlexRET module | 1                 |
| KRY 121 108/1 | Port Extender        |   | 1                 |



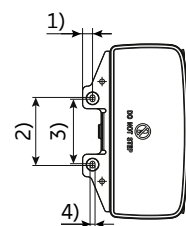
## Accessories (included in the scope of supply)

| Product No. | Description | Remarks<br>mm   inches          | Units per antenna |
|-------------|-------------|---------------------------------|-------------------|
| 85010111    | 2 clamps    | Mast diameter: 55–115   2.2–4.5 | 1                 |
| 86010153V01 | FlexRET     | Compliant to 3GPP / AISG 2.0    | 1                 |

For downtilt mounting use the clamps for an appropriate mast diameter together with the downtilt kit. Wall mounting: No additional mounting kit needed.

**Material:** **Reflector screen:** Aluminum.  
**Fiberglass housing:** It covers totally the internal antenna components. The special design reduces the sealing areas to a minimum and guarantees the best weather protection. Fiberglass material guarantees optimum performance with regards to stability, stiffness, UV resistance and painting. The color of the radome is light grey.  
**All nuts and bolts:** Stainless steel or hot-dip galvanized steel.

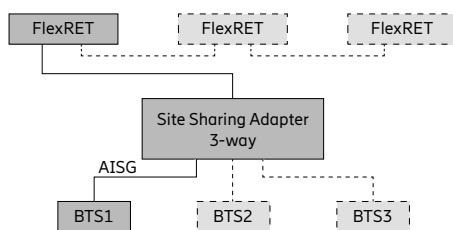
**Grounding:** The metal parts of the antenna including the mounting kit and the inner conductors are DC grounded.



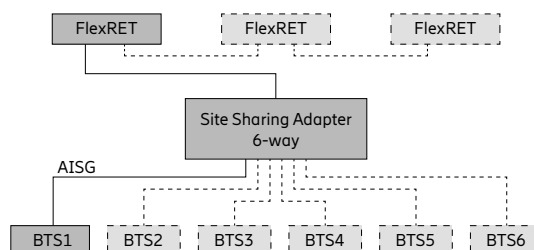
- 1) 22 | 0.9
- 2) 150 | 5.9
- 3) 142 | 5.6
- 4) 11 | 0.4
- 5) 79 | 3.1

All dimensions in mm | inches

## Configuration example with Site Sharing Adapter 86010154

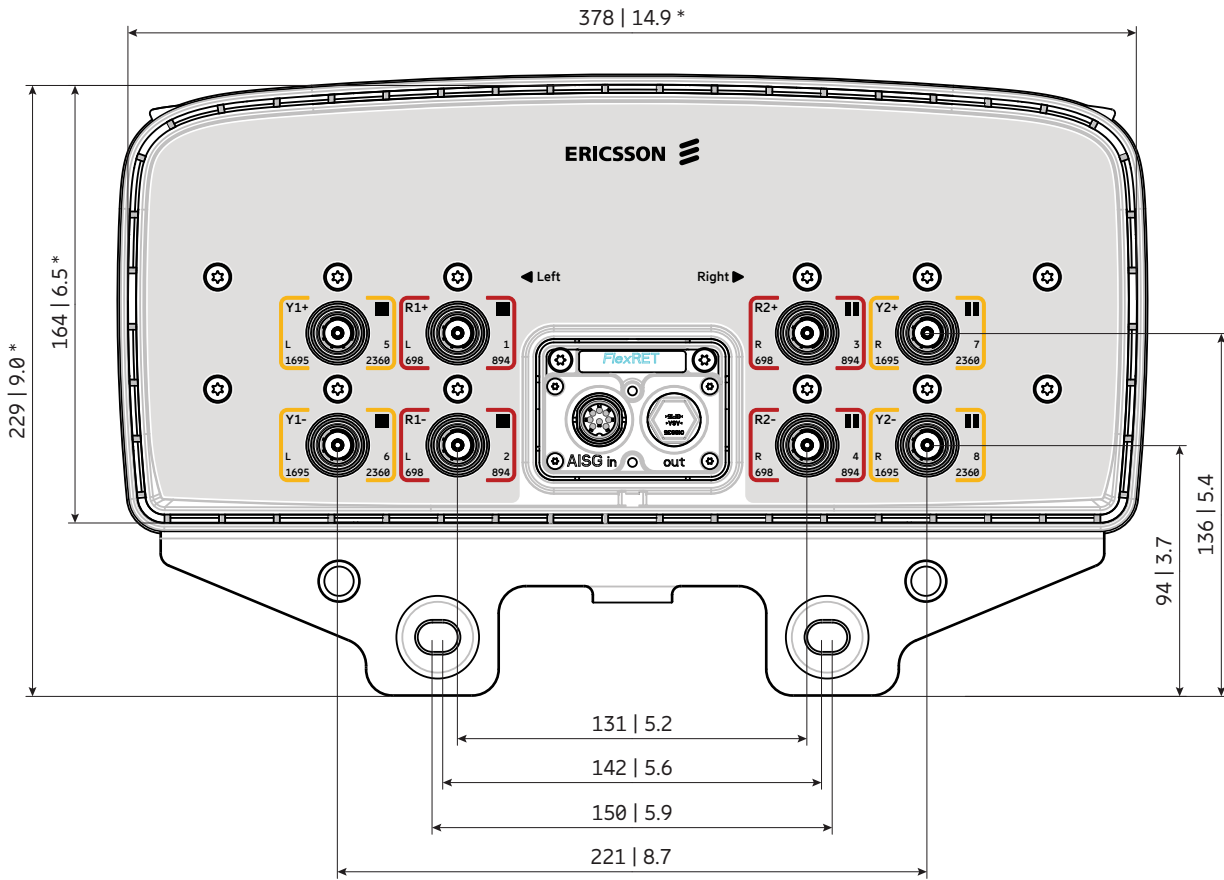


## Configuration example with Site Sharing Adapter 86010155



For more information please refer to the respective data sheets.

## Layout of interface



Bottom view  
\* Dimensions refer to radome  
All dimensions in mm | inches

## Correlation Table

| Frequency range | Array | Connector / Ports |
|-----------------|-------|-------------------|
| 698–894 MHz     | R1    | 1–2               |
| 698–894 MHz     | R2    | 3–4               |
| 1695–2360 MHz   | Y1    | 5–6               |
| 1695–2360 MHz   | Y2    | 7–8               |





# Antenna 4002 2L 2M 2.4m

840480966

Capacity

Compact

Coverage

65° | 2x 698–894 MHz | 16.5 dBi  
65° | 2x 1695–2360 MHz | 19.0 dBi  
FlexRET



[ericsson.com/antenna-system](https://ericsson.com/antenna-system)



Scan or [click](#)



| Left side, Lowband                                      |     | R1 , connector 1–2                     |            |
|---|-----|--|------------|
| Frequency Range   | MHz | 698 – 806                              | 824 – 894  |
| Gain at mid Tilt  | dBi | 15.7                                   | 16.4       |
| Gain over all Tilts                                     | dBi | 15.7 ± 0.7                             | 16.4 ± 0.5 |
| <b>Horizontal Pattern:</b>                              |     |  |            |
| Azimuth Beamwidth                                       | °   | 63 ± 5.1                               | 56 ± 3.3   |
| Front-to-Back Ratio, Total Power, ± 30°                 | dB  | > 22                                   | > 25       |
| <b>Vertical Pattern:</b>                                |     |  |            |
| Elevation Beamwidth                                     | °   | 9.7 ± 0.5                              | 9.0 ± 0.4  |
| Electrical Downtilt continuously adjustable             | °   | 2.5 – 10.0                             |            |
| Tilt Accuracy   | °   | < 0.4                                  | < 0.4      |
| First Upper Side Lobe Suppression                       | dB  | > 15                                   | > 19       |
| Upper Side Lobe Suppression, 20° Sector above Main Beam | dB  | > 15                                   | > 17       |
| Cross Polar Isolation                                   | dB  | > 25                                   |            |
| Port to Port Isolation                                  | dB  | > 25 (R1 // R2)<br>> 30 (R1 // Y1, Y2) |            |
| Max. Effective Power per Port                           | W   | 400 (at 50 °C ambient temperature)     |            |

Values based on NGMN-P-BASTA (version 10.0) requirements.

| Right side, lowband                                     |     | R2, connector 3–4                      |            |
|---|-----|--|------------|
| Frequency Range   | MHz | 698 – 806                              | 824 – 894  |
| Gain at mid Tilt  | dBi | 15.6                                   | 16.4       |
| Gain over all Tilts                                     | dBi | 15.6 ± 0.6                             | 16.4 ± 0.4 |
| <b>Horizontal Pattern:</b>                              |     |  |            |
| Azimuth Beamwidth                                       | °   | 63 ± 5.6                               | 57 ± 3.1   |
| Front-to-Back Ratio, Total Power, ± 30°                 | dB  | > 22                                   | > 25       |
| <b>Vertical Pattern:</b>                                |     |  |            |
| Elevation Beamwidth                                     | °   | 9.7 ± 0.5                              | 8.9 ± 0.3  |
| Electrical Downtilt continuously adjustable             | °   | 2.5 – 10.0                             |            |
| Tilt Accuracy   | °   | < 0.4                                  | < 0.5      |
| First Upper Side Lobe Suppression                       | dB  | > 15                                   | > 18       |
| Upper Side Lobe Suppression, 20° Sector above Main Beam | dB  | > 15                                   | > 17       |
| Cross Polar Isolation                                   | dB  | > 25                                   |            |
| Port to Port Isolation                                  | dB  | > 25 (R2 // R1)<br>> 30 (R2 // Y1, Y2) |            |
| Max. Effective Power per Port                           | W   | 400 (at 50 °C ambient temperature)     |            |

Values based on NGMN-P-BASTA (version 10.0) requirements.

| Left side, midband                                      |     | Y1, connector 5–6                  |             |             |             |
|---|-----|------------------------------------|-------------|-------------|-------------|
| Frequency Range   | MHz | 1695 – 1880                        | 1850 – 1990 | 1920 – 2200 | 2300 – 2360 |
| Gain at mid Tilt  | dBi | 18.2                               | 18.6        | 18.8        | 18.8        |
| Gain over all Tilts                                     | dBi | 18.1 ± 0.7                         | 18.5 ± 0.6  | 18.7 ± 0.8  | 18.8 ± 0.8  |
| <b>Horizontal Pattern:</b>                              |     |                                    |             |             |             |
| Azimuth Beamwidth                                       | °   | 63 ± 4.3                           | 65 ± 2.8    | 62 ± 6.1    | 57 ± 5.2    |
| Front-to-Back Ratio, Total Power, ± 30°                 | dB  | > 26                               | > 28        | > 30        | > 31        |
| <b>Vertical Pattern:</b>                                |     |                                    |             |             |             |
| Elevation Beamwidth                                     | °   | 5.6 ± 0.4                          | 5.2 ± 0.4   | 5.0 ± 0.4   | 4.5 ± 0.2   |
| Electrical Downtilt continuously adjustable             | °   | 2.5 – 12.0                         |             |             |             |
| Tilt Accuracy   | °   | < 0.2                              | < 0.2       | < 0.2       | < 0.2       |
| First Upper Side Lobe Suppression                       | dB  | > 15                               | > 15        | > 16        | > 17        |
| Upper Side Lobe Suppression, 20° Sector above Main Beam | dB  | > 14                               | > 15        | > 16        | > 16        |
| Cross Polar Isolation                                   | dB  | > 25                               |             |             |             |
| Port to Port Isolation                                  | dB  | > 30 (Y1 // R1, R2, Y2)            |             |             |             |
| Max. Effective Power per Port                           | W   | 200 (at 50 °C ambient temperature) |             |             |             |

Values based on NGMN-P-BASTA (version 10.0) requirements.

| Right side, midband                                     |     | Y2, connector 7–8                  |             |             |             |
|---|-----|------------------------------------|-------------|-------------|-------------|
| Frequency Range   | MHz | 1695 – 1880                        | 1850 – 1990 | 1920 – 2200 | 2300 – 2360 |
| Gain at mid Tilt  | dBi | 18.2                               | 18.6        | 18.9        | 18.8        |
| Gain over all Tilts                                     | dBi | 18.1 ± 0.7                         | 18.5 ± 0.6  | 18.8 ± 0.9  | 18.8 ± 0.8  |
| <b>Horizontal Pattern:</b>                              |     |                                    |             |             |             |
| Azimuth Beamwidth                                       | °   | 63 ± 3.6                           | 65 ± 2.1    | 62 ± 6.1    | 57 ± 5.0    |
| Front-to-Back Ratio, Total Power, ± 30°                 | dB  | > 25                               | > 28        | > 29        | > 30        |
| <b>Vertical Pattern:</b>                                |     |                                    |             |             |             |
| Elevation Beamwidth                                     | °   | 5.5 ± 0.4                          | 5.1 ± 0.3   | 4.9 ± 0.4   | 4.4 ± 0.2   |
| Electrical Downtilt continuously adjustable             | °   | 2.5 – 12.0                         |             |             |             |
| Tilt Accuracy   | °   | < 0.2                              | < 0.2       | < 0.1       | < 0.1       |
| First Upper Side Lobe Suppression                       | dB  | > 15                               | > 15        | > 16        | > 18        |
| Upper Side Lobe Suppression, 20° Sector above Main Beam | dB  | > 14                               | > 15        | > 16        | > 16        |
| Cross Polar Isolation                                   | dB  | > 25                               |             |             |             |
| Port to Port Isolation                                  | dB  | 30 (Y2 // R1, R2, Y1)              |             |             |             |
| Max. Effective Power per Port                           | W   | 200 (at 50 °C ambient temperature) |             |             |             |

Values based on NGMN-P-BASTA (version 10.0) requirements.

## Electrical specifications, all ports

|                                      |            |                                     |
|--------------------------------------|------------|-------------------------------------|
| Impedance                            | $\Omega$   | 50                                  |
| VSWR                                 |            | < 1.5                               |
| Return Loss                          | dB         | > 14                                |
| Interband Isolation                  | dB         | > 25                                |
| Passive Intermodulation              | dBc        | < -153 (2 x 43 dBm carrier)         |
| Polarization                         | $^{\circ}$ | -45, +45                            |
| Max. Effective Power for the Antenna | W          | 1000 (at 50 °C ambient temperature) |

Values based on NGMN-P-BASTA (version 10.0) requirements.

## Mechanical specifications

|   |   |   |
|---|---|---|
| Input                                     | 8 x 4.3-10 female   |   |
| Connector Position                        | bottom  |   |
| Adjustment Mechanism                      | FlexRET, continuously adjustable                                  |   |
| Wind load (at Rated Wind Speed: 150 km/h) | N   lbf   | Frontal: 1120   252<br>Maximal: 1270   286<br>Lateral: 440   99           |
| EPA                                       | m <sup>2</sup>   ft <sup>2</sup>                                  | Frontal: 1.029   11.08<br>Maximal: 1.166   12.55<br>Lateral: 0.404   4.35 |
| Max. Wind Velocity                        | km/h<br>mph   | 241<br>150  |
| Height / Width / Depth                    | mm<br>inches  | 2437 / 488 / 164<br>95.9 / 19.2 / 6.5                                     |
| Category of Mounting Hardware             | XM (X-Medium)   |   |
| Weight                                    | kg<br>lb  | 47.0 / 51.5 (clamps incl.)<br>103.6 / 113.5 (clamps incl.)                |
| Packing Size                              | mm<br>inches  | 2858 / 550 / 293<br>112.5 / 21.7 / 11.5                                   |
| Scope of Supply                           | Panel, FlexRET and clamps for 55–115 mm   2.2–4.5 inches diameter |   |

## Accessories (order separately if required)

| Product No. | Description          | Remarks<br>mm   inches           | Units per antenna |
|-------------|----------------------|----------------------------------|-------------------|
| 85010097    | 2 clamps             | Mast diameter: 110–220   4.3–8.7 | 1                 |
| 85010110    | 1 downtilt kit       | Downtilt angle: 0°–10°           | 1                 |
| 86010154    | Site Sharing Adapter | 3-way (see figure below)         |                   |
| 86010155    | Site Sharing Adapter | 6-way (see figure below)         |                   |

## Accessories (included in the scope of supply)

| Product No. | Description | Remarks<br>mm   inches                 | Units per antenna |
|-------------|-------------|--|-------------------|
| 85010111    | 2 clamps    | Mast diameter: 55–115   2.2–4.5        | 1                 |
| 86010167    | FlexRET     | Compliant to 3GPP / AISG 2.0 – AISG 3* | 1                 |

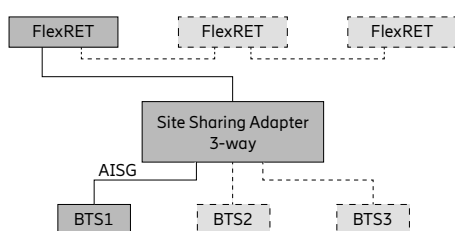
\* FlexRET 86010167 does not support AISG 3 feature MALD

For downtilt mounting use the clamps for an appropriate mast diameter together with the downtilt kit.  
Wall mounting: No additional mounting kit needed.

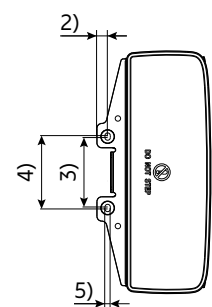
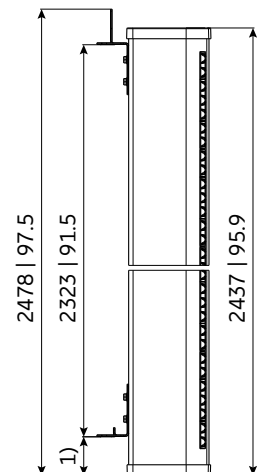
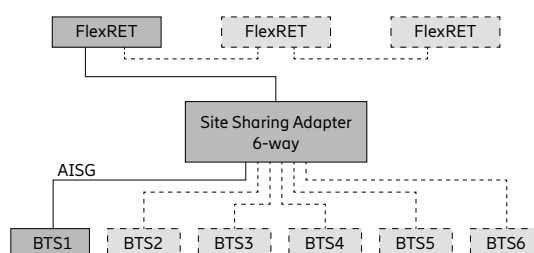
**Material:** **Reflector screen:** Aluminum.  
**Fiberglass housing:** It covers totally the internal antenna components. The special design reduces the sealing areas to a minimum and guarantees the best weather protection. Fiberglass material guarantees optimum performance with regards to stability, stiffness, UV resistance and painting. The color of the radome is light grey.

**Grounding:** The metal parts of the antenna including the mounting kit and the inner conductors are DC grounded.

## Configuration example with Site Sharing Adapter 86010154



## Configuration example with Site Sharing Adapter 86010155

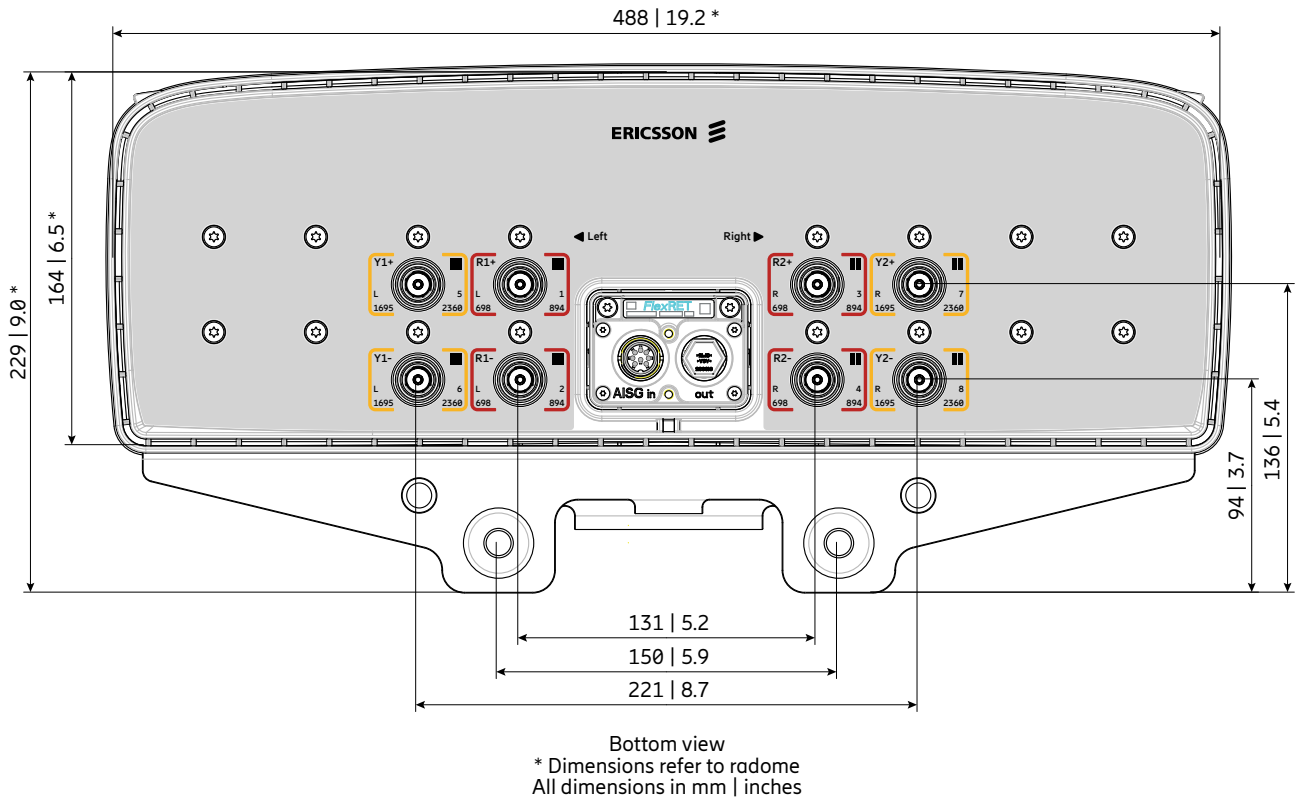


- 1) 79 | 3.1  
2) 22 | 0.9  
3) 142 | 5.6  
4) 150 | 5.9  
5)  $\varnothing$  11 | 0.4

All dimensions in mm | inches

For more information please refer to the respective data sheets.

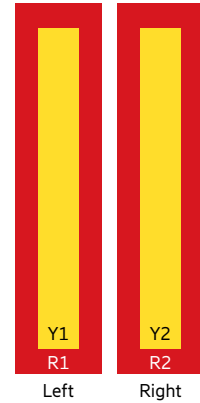
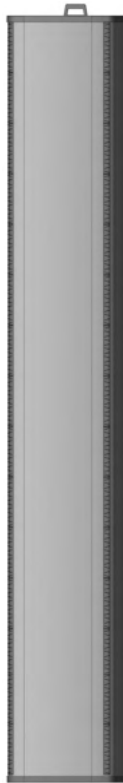
## Layout of interface



## Correlation Table

| Frequency range | Array | Connector / Ports |
|-----------------|-------|-------------------|
| 698–894 MHz     | R1    | 1–2               |
| 698–894 MHz     | R2    | 3–4               |
| 1695–2360 MHz   | Y1    | 5–6               |
| 1695–2360 MHz   | Y2    | 7–8               |





# Antenna 4002 2L 2M 2.6m

800372966

Capacity    Compact    Coverage

65° | 2x 698–960 MHz | 16.4 dBi  
65° | 2x 1427–2690 MHz | 17.9 dBi  
FlexRET



[ericsson.com/antenna-system](http://ericsson.com/antenna-system)



Scan or [click](#)

2LB nMB

| Left side, lowband                          |     | R1, connector 1–2                  |            |            |            |
|---|-----|------------------------------------|------------|------------|------------|
| Frequency Range                             | MHz | 698 – 806                          | 791 – 862  | 824 – 894  | 880 – 960  |
| Gain at mid Tilt                            | dBi | 15.0                               | 15.7       | 16.0       | 16.4       |
| Gain over all Tilts                         | dBi | 15.0 ± 0.6                         | 15.7 ± 0.6 | 16.0 ± 0.5 | 16.4 ± 0.5 |
| <b>Horizontal Pattern:</b>                  |     |                                    |            |            |            |
| Azimuth Beamwidth                           | °   | 63 ± 4.5                           | 60 ± 2.9   | 58 ± 3.7   | 55 ± 5.0   |
| Front-to-Back Ratio, Total Power, ± 30°     | dB  | > 20                               | > 22       | > 24       | > 24       |
| <b>Vertical Pattern:</b>                    |     |                                    |            |            |            |
| Elevation Beamwidth                         | °   | 9.1 ± 0.7                          | 8.6 ± 0.4  | 8.4 ± 0.5  | 7.9 ± 0.5  |
| Electrical Downtilt continuously adjustable | °   | 2.5 – 10                           |            |            |            |
| Tilt Accuracy                               | °   | < 0.4                              | < 0.5      | < 0.5      | < 0.4      |
| First Upper Side Lobe Suppression           | dB  | > 15                               | > 17       | > 17       | > 19       |
| Cross Polar Isolation                       | dB  | > 25                               |            |            |            |
| Port to Port Isolation                      | dB  | > 25 (R1 // R2, Y1, Y2)            |            |            |            |
| Max. Effective Power per Port               | W   | 400 (at 50 °C ambient temperature) |            |            |            |

Values based on NGMN-P-BASTA (version 10.0) requirements.

| Right side, lowband                         |     | R2, connector 3–4                  |            |            |            |
|---|-----|------------------------------------|------------|------------|------------|
| Frequency Range                             | MHz | 698 – 806                          | 791 – 862  | 824 – 894  | 880 – 960  |
| Gain at mid Tilt                            | dBi | 15.0                               | 15.7       | 16.0       | 16.4       |
| Gain over all Tilts                         | dBi | 15.0 ± 0.7                         | 15.7 ± 0.6 | 16.0 ± 0.6 | 16.4 ± 0.4 |
| <b>Horizontal Pattern:</b>                  |     |                                    |            |            |            |
| Azimuth Beamwidth                           | °   | 64 ± 4.8                           | 61 ± 3.6   | 59 ± 4.5   | 55 ± 4.9   |
| Front-to-Back Ratio, Total Power, ± 30°     | dB  | > 20                               | > 22       | > 24       | > 25       |
| <b>Vertical Pattern:</b>                    |     |                                    |            |            |            |
| Elevation Beamwidth                         | °   | 9.0 ± 0.7                          | 8.6 ± 0.4  | 8.3 ± 0.5  | 7.9 ± 0.5  |
| Electrical Downtilt continuously adjustable | °   | 2.5 – 10                           |            |            |            |
| Tilt Accuracy                               | °   | < 0.4                              | < 0.5      | < 0.5      | < 0.4      |
| First Upper Side Lobe Suppression           | dB  | > 15                               | > 18       | > 18       | > 20       |
| Cross Polar Isolation                       | dB  | > 25                               |            |            |            |
| Port to Port Isolation                      | dB  | > 25 (R2 // R1, Y1, Y2)            |            |            |            |
| Max. Effective Power per Port               | W   | 400 (at 50 °C ambient temperature) |            |            |            |

Values based on NGMN-P-BASTA (version 10.0) requirements.

| Left side, midband                          |     | Y1, connector 5–6                  |             |             |             |             |             |
|---|-----|------------------------------------|-------------|-------------|-------------|-------------|-------------|
| Frequency Range                             | MHz | 1427 – 1518                        | 1695 – 1880 | 1850 – 1990 | 1920 – 2170 | 2300 – 2400 | 2500 – 2690 |
| Gain at mid Tilt                            | dBi | 16.9                               | 17.6        | 17.9        | 17.9        | 17.6        | 17.7        |
| Gain over all Tilts                         | dBi | 16.9 ± 0.7                         | 17.5 ± 0.6  | 17.7 ± 0.8  | 17.9 ± 0.8  | 17.5 ± 0.7  | 17.7 ± 0.7  |
| <b>Horizontal Pattern:</b>                  |     |                                    |             |             |             |             |             |
| Azimuth Beamwidth                           | °   | 63 ± 4.9                           | 68 ± 3.8    | 68 ± 6.3    | 67 ± 4.9    | 67 ± 6.3    | 60 ± 5.5    |
| Front-to-Back Ratio, Total Power, ± 30°     | dB  | > 26                               | > 28        | > 26        | > 27        | > 27        | > 29        |
| <b>Vertical Pattern:</b>                    |     |                                    |             |             |             |             |             |
| Elevation Beamwidth                         | °   | 8.0 ± 0.4                          | 6.9 ± 0.4   | 6.4 ± 0.3   | 6.2 ± 0.4   | 5.7 ± 0.3   | 5.4 ± 0.3   |
| Electrical Downtilt continuously adjustable | °   | 2 – 12                             |             |             |             |             |             |
| Tilt Accuracy                               | °   | < 0.4                              | < 0.2       | < 0.2       | < 0.3       | < 0.3       | < 0.3       |
| First Upper Side Lobe Suppression           | dB  | > 15                               | > 20        | > 21        | > 19        | > 19        | > 19        |
| Cross Polar Isolation                       | dB  | > 25                               |             |             |             |             |             |
| Port to Port Isolation                      | dB  | > 28 (Y1 // R1, R2, Y2)            |             |             |             |             |             |
| Max. Effective Power per Port               | W   | 200 (at 50 °C ambient temperature) |             |             |             |             |             |

Values based on NGMN-P-BASTA (version 10.0) requirements.

| Right side, midband                         |     | Y2, connector 7–8                  |             |             |             |             |             |
|---|-----|------------------------------------|-------------|-------------|-------------|-------------|-------------|
| Frequency Range                             | MHz | 1427 – 1518                        | 1695 – 1880 | 1850 – 1990 | 1920 – 2170 | 2300 – 2400 | 2500 – 2690 |
| Gain at mid Tilt                            | dBi | 16.9                               | 17.5        | 17.8        | 17.9        | 17.5        | 17.7        |
| Gain over all Tilts                         | dBi | 16.9 ± 0.6                         | 17.5 ± 0.5  | 17.7 ± 0.8  | 17.9 ± 0.8  | 17.5 ± 0.6  | 17.6 ± 0.7  |
| <b>Horizontal Pattern:</b>                  |     |                                    |             |             |             |             |             |
| Azimuth Beamwidth                           | °   | 63 ± 4.0                           | 68 ± 4.1    | 68 ± 3.9    | 66 ± 6.2    | 66 ± 6.4    | 60 ± 5.4    |
| Front-to-Back Ratio, Total Power, ± 30°     | dB  | > 26                               | > 27        | > 26        | > 27        | > 26        | > 27        |
| <b>Vertical Pattern:</b>                    |     |                                    |             |             |             |             |             |
| Elevation Beamwidth                         | °   | 7.9 ± 0.4                          | 6.8 ± 0.4   | 6.4 ± 0.3   | 6.1 ± 0.4   | 5.6 ± 0.3   | 5.3 ± 0.3   |
| Electrical Downtilt continuously adjustable | °   | 2 – 12                             |             |             |             |             |             |
| Tilt Accuracy                               | °   | < 0.4                              | < 0.3       | < 0.3       | < 0.3       | < 0.3       | < 0.3       |
| First Upper Side Lobe Suppression           | dB  | > 15                               | > 18        | > 19        | > 18        | > 18        | > 17        |
| Cross Polar Isolation                       | dB  | > 25                               |             |             |             |             |             |
| Port to Port Isolation                      | dB  | > 28 (Y2 // R1, R2, Y1)            |             |             |             |             |             |
| Max. Effective Power per Port               | W   | 200 (at 50 °C ambient temperature) |             |             |             |             |             |

Values based on NGMN-P-BASTA (version 10.0) requirements.

## Electrical specifications, all ports

|                                      |            |                                     |
|--------------------------------------|------------|-------------------------------------|
| Impedance                            | $\Omega$   | 50                                  |
| VSWR                                 |            | < 1.5                               |
| Return Loss                          | dB         | > 14                                |
| Interband Isolation                  | dB         | > 25                                |
| Passive Intermodulation              | dBc        | < -153 (2 x 43 dBm carrier)*        |
| Polarization                         | $^{\circ}$ | +45, -45                            |
| Max. Effective Power for the Antenna | W          | 1000 (at 50 °C ambient temperature) |

Values based on NGMN-P-BASTA (version 10.0) requirements.

\* not applicable for L-band

## Mechanical specifications

|   |   |   |
|---|---|---|
| Input                                     | 8x 4.3-10 female  |   |
| Connector Position                        | bottom  |   |
| Adjustment Mechanism                      | FlexRET, continuously adjustable                                  |   |
| Wind load (at Rated Wind Speed: 150 km/h) | N   lbf   | Frontal: 630   142<br>Maximal: 1110   249                 |
| Max. Wind Velocity                        | km/h<br>mph   | 241<br>150  |
| Height / Width / Depth                    | mm<br>inches  | 2591 / 378 / 164<br>102 / 14.9 / 6.5                      |
| Category of Mounting Hardware             | XM (X-Medium)   |   |
| Weight                                    | kg<br>lb  | 43.6 / 48.1 (clamps incl.)<br>96.1 / 106.0 (clamps incl.) |
| Packing Size                              | mm<br>inches  | 2745 / 440 / 293<br>108.1 / 17.3 / 11.5                   |
| Scope of Supply                           | Panel, FlexRET and clamps for 55–115 mm   2.2–4.5 inches diameter |   |

## Accessories (order separately if required)

| Product No.   | Description          | Remarks<br>mm   inches  | Units per antenna |
|---------------|----------------------|---|-------------------|
| 85010097      | 2 clamps             | Mast diameter: 110–220   4.3–8.7                                  | 1                 |
| 85010110      | 1 downtilt kit       | Downtilt angle: 0°–9°   | 1                 |
| 86010154      | Site Sharing Adapter | 3-way (see figure below)  |                   |
| 86010155      | Site Sharing Adapter | 6-way (see figure below)  |                   |
| 86010162      | Gender Adapter       | Solely to be used in combination with a compatible FlexRET module | 1                 |
| KRY 121 108/1 | Port Extender        |   | 1                 |

## Accessories (included in the scope of supply)

| Product No. | Description | Remarks<br>mm   inches                      | Units per antenna |
|-------------|-------------|---|-------------------|
| 85010111    | 2 clamps    | Mast diameter: 55–115   2.2–4.5             | 1                 |
| 86010165    | FlexRET     | Compliant to 3GPP / AISG 2.0 – AISG 3 ready | 1                 |

For downtilt mounting use the clamps for an appropriate mast diameter together with the downtilt kit. Wall mounting: No additional mounting kit needed.

## Material:

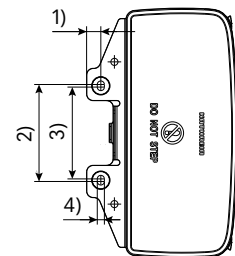
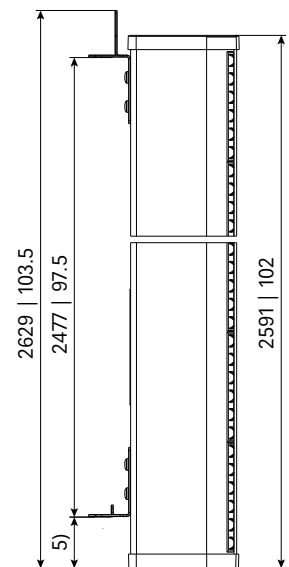
**Reflector screen:** Aluminum.

**Fiberglass housing:** It covers totally the internal antenna components. The special design reduces the sealing areas to a minimum and guarantees the best weather protection. Fiberglass material guarantees optimum performance with regards to stability, stiffness, UV resistance and painting. The color of the radome is light grey.

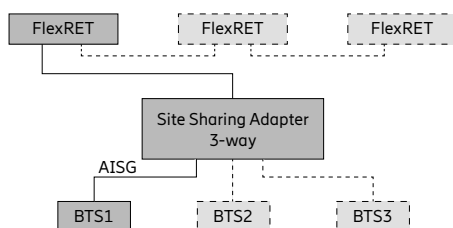
**All nuts and bolts:** Stainless steel or hot-dip galvanized steel.

## Grounding:

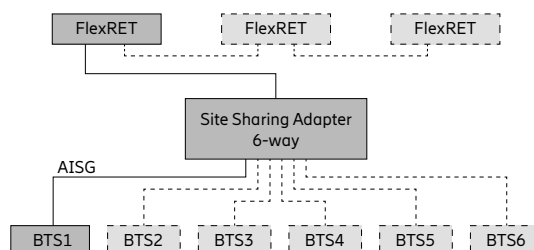
The metal parts of the antenna including the mounting kit and the inner conductors are DC grounded.



## Configuration example with Site Sharing Adapter 86010154



## Configuration example with Site Sharing Adapter 86010155

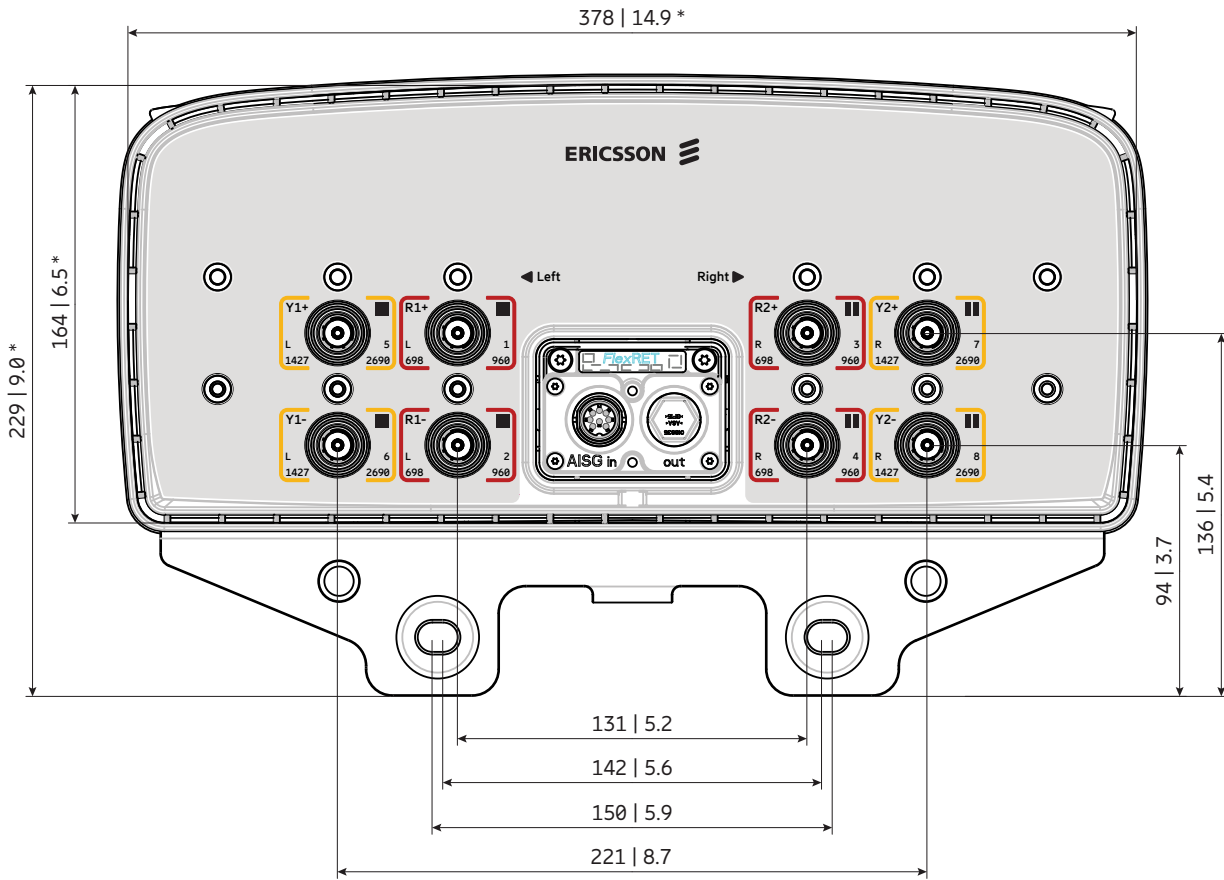


- 1) 22 | 0.9
- 2) 150 | 5.9
- 3) 142 | 5.6
- 4) 11 | 0.4
- 5) 79 | 3.1

For more information please refer to the respective data sheets.



## Layout of interface



Bottom view  
\* Dimensions refer to radome  
All dimensions in mm | inches

## Correlation Table

| Frequency range | Array | Connector / Ports |
|-----------------|-------|-------------------|
| 698–960 MHz     | R1    | 1–2               |
| 698–960 MHz     | R2    | 3–4               |
| 1427–2690 MHz   | Y1    | 5–6               |
| 1427–2690 MHz   | Y2    | 7–8               |





# Antenna 4003 2L 2M 2.4m

840590966

Capacity    Compact    Coverage

65° | 2x 617–894 | 16.0 dBi  
65° | 2x 1695–2690 | 18.0 dBi  
FlexRET



[ericsson.com/antenna-system](https://ericsson.com/antenna-system)



Scan or [click](#)

| Left side, lowband                          |     | R1, connector 1–2                                      |            |            |
|---|-----|--|------------|------------|
| Frequency Range                             | MHz | 617 – 698  | 698 – 806  | 824 – 894  |
| Gain at mid Tilt                            | dBi | 15.1   | 15.8       | 16.0       |
| Gain over all Tilts                         | dBi | 15.1 ± 0.6   | 15.8 ± 0.5 | 16.0 ± 0.4 |
| <b>Horizontal Pattern:</b>                  |     |  |            |            |
| Azimuth Beamwidth                           | °   | 69 ± 3.2   | 66 ± 2.8   | 67 ± 2.6   |
| Front-to-Back Ratio, Total Power, ± 30°     | dB  | > 17   | > 21       | > 23       |
| <b>Vertical Pattern:</b>                    |     |  |            |            |
| Elevation Beamwidth                         | °   | 11.1 ± 0.7   | 10.2 ± 0.7 | 9.2 ± 0.4  |
| Electrical Downtilt continuously adjustable | °   | 2.0 – 10.0   |            |            |
| Tilt Accuracy                               | °   | < 0.4  | < 0.4      | < 0.5      |
| First Upper Side Lobe Suppression           | dB  | > 17   | > 21       | > 18       |
| Cross Polar Isolation                       | dB  | > 24, typically > 25                                   |            |            |
| Port to Port Isolation                      | dB  | > 22, typically > 25 (R1 // R2)<br>> 25 (R1 // Y1, Y2) |            |            |
| Max. Effective Power per Port               | W   | 400 (at 50 °C ambient temperature)                     |            |            |

Values based on NGMN-P-BASTA (version 10.0) requirements.

| Right side, lowband                         |     | R2, connector 3–4                                      |            |            |
|---|-----|--|------------|------------|
| Frequency Range                             | MHz | 617 – 698  | 698 – 806  | 824 – 894  |
| Gain at mid Tilt                            | dBi | 15.1   | 15.8       | 16.0       |
| Gain over all Tilts                         | dBi | 15.1 ± 0.5   | 15.8 ± 0.6 | 16.0 ± 0.5 |
| <b>Horizontal Pattern:</b>                  |     |  |            |            |
| Azimuth Beamwidth                           | °   | 69 ± 3.8   | 66 ± 3.0   | 65 ± 3.1   |
| Front-to-Back Ratio, Total Power, ± 30°     | dB  | > 18   | > 21       | > 22       |
| <b>Vertical Pattern:</b>                    |     |  |            |            |
| Elevation Beamwidth                         | °   | 11.1 ± 0.6   | 10.0 ± 0.6 | 9.2 ± 0.4  |
| Electrical Downtilt continuously adjustable | °   | 2.0 – 10.0   |            |            |
| Tilt Accuracy                               | °   | < 0.4  | < 0.5      | < 0.4      |
| First Upper Side Lobe Suppression           | dB  | > 16   | > 21       | > 18       |
| Cross Polar Isolation                       | dB  | > 24, typically > 25                                   |            |            |
| Port to Port Isolation                      | dB  | > 22, typically > 25 (R2 // R1)<br>> 25 (R2 // Y1, Y2) |            |            |
| Max. Effective Power per Port               | W   | 400 (at 50 °C ambient temperature)                     |            |            |

Values based on NGMN-P-BASTA (version 10.0) requirements.

| Left side, midband                          |     | Y1, connector 5–6                  |             |             |             |             |
|---|-----|------------------------------------|-------------|-------------|-------------|-------------|
| Frequency Range                             | MHz | 1695 – 1880                        | 1850 – 1990 | 1920 – 2200 | 2300 – 2400 | 2490 – 2690 |
| Gain at mid Tilt                            | dBi | 17.7                               | 17.9        | 17.8        | 18.1        | 17.6        |
| Gain over all Tilts                         | dBi | 17.6 ± 0.6                         | 17.7 ± 0.6  | 17.6 ± 0.9  | 17.9 ± 0.8  | 17.6 ± 0.8  |
| <b>Horizontal Pattern:</b>                  |     |                                    |             |             |             |             |
| Azimuth Beamwidth                           | °   | 66 ± 3.2                           | 72 ± 4.0    | 72 ± 4.9    | 66 ± 4.2    | 57 ± 7.3    |
| Front-to-Back Ratio, Total Power, ± 30°     | dB  | > 29                               | > 28        | > 27        | > 28        | > 26        |
| <b>Vertical Pattern:</b>                    |     |                                    |             |             |             |             |
| Elevation Beamwidth                         | °   | 5.8 ± 0.3                          | 5.4 ± 0.3   | 5.1 ± 0.3   | 4.6 ± 0.2   | 4.2 ± 0.2   |
| Electrical Downtilt continuously adjustable | °   | 1.0 – 11.0                         |             |             |             |             |
| Tilt Accuracy                               | °   | < 0.4                              | < 0.4       | < 0.4       | < 0.4       | < 0.4       |
| First Upper Side Lobe Suppression           | dB  | > 18                               | > 18        | > 16        | > 15        | > 16        |
| Cross Polar Isolation                       | dB  | > 25                               |             |             |             |             |
| Port to Port Isolation                      | dB  | > 25 (Y1 // R1, R2, Y2)            |             |             |             |             |
| Max. Effective Power per Port               | W   | 200 (at 50 °C ambient temperature) |             |             |             |             |

Values based on NGMN-P-BASTA (version 10.0) requirements.

| Right side, midband                         |     | Y2, connector 7–8                  |             |             |             |             |
|---|-----|------------------------------------|-------------|-------------|-------------|-------------|
| Frequency Range                             | MHz | 1695 – 1880                        | 1850 – 1990 | 1920 – 2200 | 2300 – 2400 | 2490 – 2690 |
| Gain at mid Tilt                            | dBi | 17.6                               | 17.8        | 17.8        | 18.1        | 17.7        |
| Gain over all Tilts                         | dBi | 17.5 ± 0.6                         | 17.6 ± 0.5  | 17.6 ± 0.9  | 17.9 ± 0.8  | 17.6 ± 0.8  |
| <b>Horizontal Pattern:</b>                  |     |                                    |             |             |             |             |
| Azimuth Beamwidth                           | °   | 66 ± 5.5                           | 73 ± 4.5    | 74 ± 4.5    | 67 ± 4.6    | 57 ± 8.3    |
| Front-to-Back Ratio, Total Power, ± 30°     | dB  | > 28                               | > 28        | > 26        | > 27        | > 27        |
| <b>Vertical Pattern:</b>                    |     |                                    |             |             |             |             |
| Elevation Beamwidth                         | °   | 5.7 ± 0.3                          | 5.3 ± 0.3   | 5.0 ± 0.4   | 4.5 ± 0.2   | 4.2 ± 0.2   |
| Electrical Downtilt continuously adjustable | °   | 1.0 – 11.0                         |             |             |             |             |
| Tilt Accuracy                               | °   | < 0.4                              | < 0.4       | < 0.4       | < 0.3       | < 0.4       |
| First Upper Side Lobe Suppression           | dB  | > 17                               | > 17        | > 16        | > 15        | > 16        |
| Cross Polar Isolation                       | dB  | > 25                               |             |             |             |             |
| Port to Port Isolation                      | dB  | > 25 (Y2 // R1, R2, Y1)            |             |             |             |             |
| Max. Effective Power per Port               | W   | 200 (at 50 °C ambient temperature) |             |             |             |             |

Values based on NGMN-P-BASTA (version 10.0) requirements.

## Electrical specifications, all ports

|                                      |            |                                     |
|--------------------------------------|------------|-------------------------------------|
| Impedance                            | $\Omega$   | 50                                  |
| VSWR                                 |            | < 1.5                               |
| Return Loss                          | dB         | > 14                                |
| Interband Isolation                  | dB         | typically > 25                      |
| Passive Intermodulation              | dBc        | < -153 (2 x 43 dBm carrier)         |
| Polarization                         | $^{\circ}$ | +45, -45 $^{\circ}$                 |
| Max. Effective Power for the Antenna | W          | 1000 (at 50 °C ambient temperature) |

Values based on NGMN-P-BASTA (version 10.0) requirements.

## Mechanical specifications

|   |   |  |
|---|---|--|
| Input                                     | 8 x 4.3-10 female   |  |
| Connector Position                        | bottom  |  |
| Adjustment Mechanism                      | FlexRET, continuously adjustable                                  |  |
| Wind load (at Rated Wind Speed: 150 km/h) | N   lbf   | Frontal: 1320   297<br>Maximal: 1530   344                 |
| Max. Wind Velocity                        | km/h<br>mph   | 241<br>150   |
| Height / Width / Depth                    | mm<br>inches  | 2437 / 596 / 180<br>95.9 / 23.5 / 7.1                      |
| Category of Mounting Hardware             | XH (X-Heavy)  |  |
| Weight (approx.)                          | kg<br>lb  | 46.0 / 51.0 (clamps incl.)<br>101.4 / 112.4 (clamps incl.) |
| Packing Size                              | mm<br>inches  | 2585 / 665 / 300<br>101.8 / 26.2 / 11.8                    |
| Scope of Supply                           | Panel, FlexRET and clamps for 55–115 mm   2.2–4.5 inches diameter |  |

## Accessories (order separately if required)

| Product No. | Description          | Remarks<br>mm   inches           | Units per antenna |
|-------------|----------------------|----------------------------------|-------------------|
| 85010097    | 2 clamps             | Mast diameter: 110–220   4.3–8.7 | 1                 |
| 85010099    | 1 downtilt kit       | Downtilt angle: 0°–10°           | 1                 |
| 86010154    | Site Sharing Adapter | 3-way (see figure below)         |                   |
| 86010155    | Site Sharing Adapter | 6-way (see figure below)         |                   |

## Accessories (included in the scope of supply)

| Product No. | Description | Remarks<br>mm   inches                | Units per antenna |
|-------------|-------------|---------------------------------------|-------------------|
| 85010096    | 2 clamps    | Mast diameter: 55–115   2.2–4.5       | 1                 |
| 86010165    | FlexRET     | Compliant to 3GPP / AISG 2.0 – AISG 3 | 1                 |

For downtilt mounting use the clamps for an appropriate mast diameter together with the downtilt kit.  
Wall mounting: No additional mounting kit needed.

## Material:

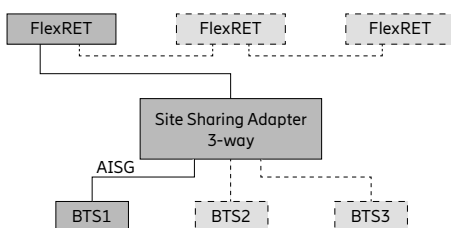
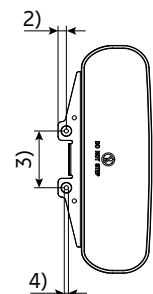
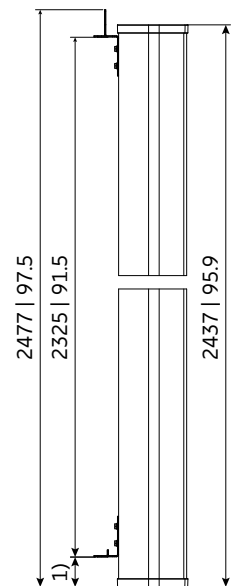
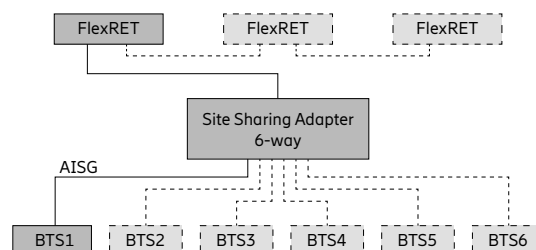
**Reflector screen:** Aluminum.

**Fiberglass housing:** It covers totally the internal antenna components. The special design reduces the sealing areas to a minimum and guarantees the best weather protection. Fiberglass material guarantees optimum performance with regards to stability, stiffness, UV resistance and painting. The color of the radome is light grey.

**All nuts and bolts:** Stainless steel or hot-dip galvanized steel.

## Grounding:

The metal parts of the antenna including the mounting kit and the inner conductors are DC grounded.

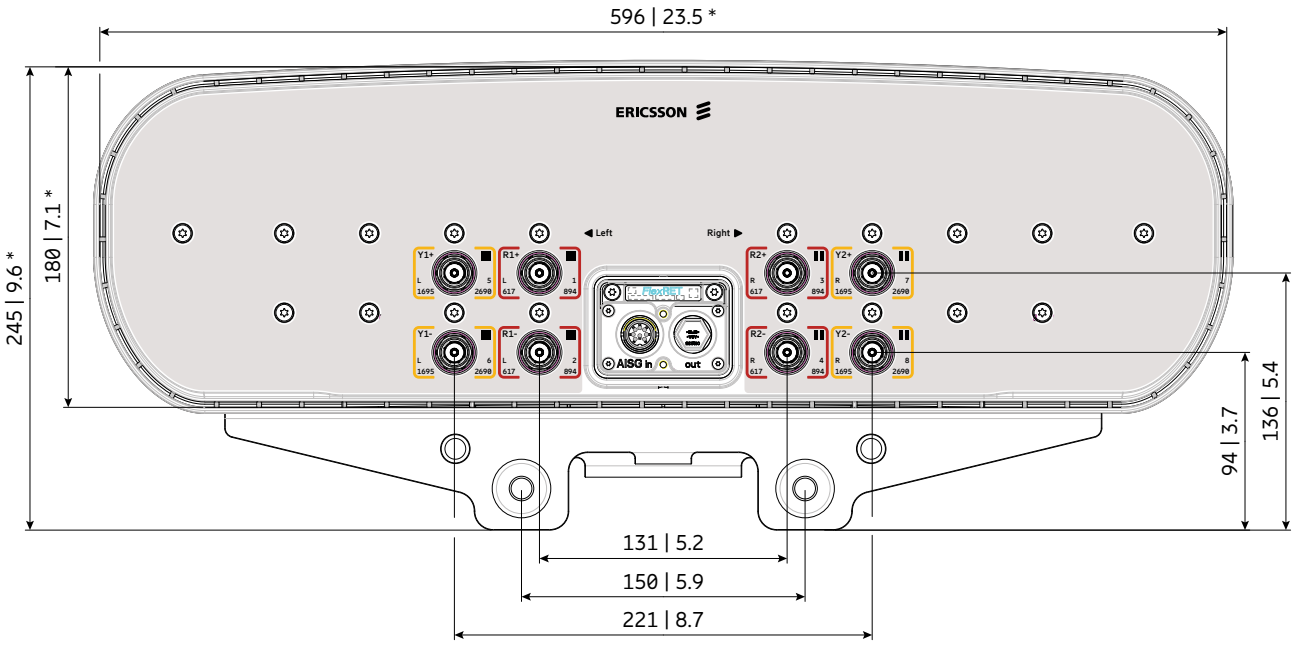
Configuration example  
with Site Sharing Adapter 86010154Configuration example  
with Site Sharing Adapter 86010155

- 1) 79 | 3.1  
2) 22 | 0.9  
3) 150 | 5.9  
4)  $\varnothing$  11 | 0.4

All dimensions  
in mm | inches

For more information please refer to the respective data sheets.

### Layout of interface



Bottom view  
 \* Dimensions refer to radome  
 All dimensions in mm | inches

### Correlation Table

| Frequency range | Array | Connector / Ports | RET |
|-----------------|-------|-------------------|-----|
| 617–894 MHz     | R1    | 1–2               | R1  |
| 617–894 MHz     | R2    | 3–4               |     |
| 1695–2690 MHz   | Y1    | 5–6               | Y1  |
| 1695–2690 MHz   | Y2    | 7–8               |     |





# Antenna 4004 2L 2M 1.5m

KRE 101 2540/1

Capacity    Compact    Coverage

65° | 2x 698–894 MHz | 14.0 dBi  
65° | 2x 1695–2360 MHz | 19.0 dBi  
FlexRET



[ericsson.com/antenna-system](https://ericsson.com/antenna-system)



Scan or [click](#)

2LB nMB

| Left side, lowband                          |     | R1, connector 1–2                  |            |
|---|-----|------------------------------------|------------|
| Frequency Range                             | MHz | 698 – 806                          | 824 – 894  |
| Gain at mid Tilt                            | dBi | 12.8                               | 13.8       |
| Gain over all Tilts                         | dBi | 12.8 ± 0.3                         | 13.7 ± 0.3 |
| <b>Horizontal Pattern:</b>                  |     |                                    |            |
| Azimuth Beamwidth                           | °   | 68 ± 8.1                           | 58 ± 5.9   |
| Front-to-Back Ratio, Total Power, ± 30°     | dB  | > 23                               | > 24       |
| <b>Vertical Pattern:</b>                    |     |                                    |            |
| Elevation Beamwidth                         | °   | 16.0 ± 0.9                         | 14.6 ± 0.6 |
| Electrical Downtilt continuously adjustable | °   | 2.0 – 15.0                         |            |
| Tilt Accuracy                               | °   | < 1.0                              | < 1.0      |
| First Upper Sidelobe Suppression            | dB  | > 13                               | > 15       |
| Intra-Cluster Isolation                     | dB  | > 25                               |            |
| Inter-Cluster Isolation                     | dB  | > 25 (R1 // R2, Y1, Y2, Y3, Y4)    |            |
| Max. Effective Power per Port               | W   | 300 (at 50 °C ambient temperature) |            |

Values based on NGMN-P-BASTA (version 11.1) requirements.

| Right side, lowband                         |     | R2, connector 3–4                  |            |
|---|-----|------------------------------------|------------|
| Frequency Range                             | MHz | 698 – 806                          | 824 – 894  |
| Gain at mid Tilt                            | dBi | 12.7                               | 13.8       |
| Gain over all Tilts                         | dBi | 12.8 ± 0.3                         | 13.7 ± 0.3 |
| <b>Horizontal Pattern:</b>                  |     |                                    |            |
| Azimuth Beamwidth                           | °   | 66 ± 8.4                           | 57 ± 7.0   |
| Front-to-Back Ratio, Total Power, ± 30°     | dB  | > 22                               | > 25       |
| <b>Vertical Pattern:</b>                    |     |                                    |            |
| Elevation Beamwidth                         | °   | 15.9 ± 0.9                         | 14.7 ± 0.7 |
| Electrical Downtilt continuously adjustable | °   | 2.0 – 15.0                         |            |
| Tilt Accuracy                               | °   | < 1.0                              | < 1.0      |
| First Upper Sidelobe Suppression            | dB  | > 13                               | > 15       |
| Intra-Cluster Isolation                     | dB  | > 25                               |            |
| Inter-Cluster Isolation                     | dB  | > 25 (R2 // R1, Y1, Y2, Y3, Y4)    |            |
| Max. Effective Power per Port               | W   | 300 (at 50 °C ambient temperature) |            |

Values based on NGMN-P-BASTA (version 11.1) requirements.



| Left side, midband                          |     | Y1, connector 5–6                  |             |             |             |
|---|-----|------------------------------------|-------------|-------------|-------------|
| Frequency Range                             | MHz | 1695 – 1880                        | 1850 – 1990 | 1920 – 2200 | 2300 – 2360 |
| Gain at mid Tilt                            | dBi | 16.7                               | 17.1        | 17.8        | 18.8        |
| Gain over all Tilts                         | dBi | 16.7 ± 0.7                         | 17.2 ± 0.6  | 17.8 ± 1.0  | 18.8 ± 0.8  |
| <b>Horizontal Pattern:</b>                  |     |                                    |             |             |             |
| Azimuth Beamwidth                           | °   | 74 ± 7.0                           | 67 ± 5.1    | 60 ± 7.7    | 52 ± 5.7    |
| Front-to-Back Ratio, Total Power, ± 30°     | dB  | > 28                               | > 29        | > 30        | > 32        |
| <b>Vertical Pattern:</b>                    |     |                                    |             |             |             |
| Elevation Beamwidth                         | °   | 7.0 ± 0.5                          | 6.5 ± 0.4   | 6.1 ± 0.5   | 5.5 ± 0.2   |
| Electrical Downtilt continuously adjustable | °   | 0.0 – 12.0                         |             |             |             |
| Tilt Accuracy                               | °   | < 0.5                              | < 0.5       | < 0.5       | < 0.5       |
| First Upper Sidelobe Suppression            | dB  | > 15                               | > 15        | > 15        | > 15        |
| Intra-Cluster Isolation                     | dB  | > 25                               |             |             |             |
| Inter-Cluster Isolation                     | dB  | > 25 (Y1 // R1, R2, Y2, Y3, Y4)    |             |             |             |
| Max. Effective Power per Port               | W   | 200 (at 50 °C ambient temperature) |             |             |             |

Values based on NGMN-P-BASTA (version 11.1) requirements.

| Right side, midband                         |     | Y2, connector 7–8                  |             |             |             |
|---|-----|------------------------------------|-------------|-------------|-------------|
| Frequency Range                             | MHz | 1695 – 1880                        | 1850 – 1990 | 1920 – 2200 | 2300 – 2360 |
| Gain at mid Tilt                            | dBi | 16.6                               | 17.0        | 17.7        | 18.6        |
| Gain over all Tilts                         | dBi | 16.6 ± 0.7                         | 17.0 ± 0.6  | 17.6 ± 1.0  | 18.6 ± 1.1  |
| <b>Horizontal Pattern:</b>                  |     |                                    |             |             |             |
| Azimuth Beamwidth                           | °   | 75 ± 4.6                           | 68 ± 5.1    | 623 ± 7.7   | 52 ± 8.9    |
| Front-to-Back Ratio, Total Power, ± 30°     | dB  | > 30                               | > 30        | > 32        | > 33        |
| <b>Vertical Pattern:</b>                    |     |                                    |             |             |             |
| Elevation Beamwidth                         | °   | 6.8 ± 0.6                          | 6.3 ± 0.5   | 5.9 ± 0.7   | 5.4 ± 0.3   |
| Electrical Downtilt continuously adjustable | °   | 0.0 – 12.0                         |             |             |             |
| Tilt Accuracy                               | °   | < 0.5                              | < 0.5       | < 0.5       | < 0.5       |
| First Upper Sidelobe Suppression            | dB  | > 15                               | > 15        | > 15        | > 15        |
| Intra-Cluster Isolation                     | dB  | > 25                               |             |             |             |
| Inter-Cluster Isolation                     | dB  | > 25 (Y2 // R1, R2, Y1, Y3, Y4)    |             |             |             |
| Max. Effective Power per Port               | W   | 200 (at 50 °C ambient temperature) |             |             |             |

Values based on NGMN-P-BASTA (version 11.1) requirements.

## Electrical specifications, all ports

|                                      |            |                                     |
|--------------------------------------|------------|-------------------------------------|
| Impedance                            | $\Omega$   | 50                                  |
| VSWR                                 |            | < 1.5                               |
| Return Loss                          | dB         | > 14                                |
| Inter-Cluster Isolation              | dB         | > 25                                |
| Passive Intermodulation              | dBc        | < -153 (2 x 43 dBm carrier)         |
| Polarization                         | $^{\circ}$ | -45, +45                            |
| Max. Effective Power for the Antenna | W          | 1000 (at 50 °C ambient temperature) |

Values based on NGMN-P-BASTA (version 11.1) requirements.

## Mechanical specifications

|   |   |   |
|---|---|---|
| Input                                     | 8x 4.3-10 female  |   |
| Connector Position                        | bottom  |   |
| Adjustment Mechanism                      | FlexRET, continuously adjustable                                  |   |
| Wind load (at Rated Wind Speed: 150 km/h) | N   lbf   | Frontal: 670   150<br>Maximal: 760   170<br>Lateral: 265   59           |
| EPA                                       | m <sup>2</sup>   ft <sup>2</sup>                                  | Frontal: 0.614   6.61<br>Maximal: 0.697   7.49<br>Lateral: 0.241   2.59 |
| Wind Load Standard                        | EN 1994-1-4   |   |
| Wind Load Laboratory                      | TU Dresden; Göttinger-type wind tunnel                            |   |
| Max. Wind Velocity                        | km/h<br>mph   | 241<br>150  |
| Height / Width / Depth                    | mm<br>inches  | 1499 / 488 / 164<br>59.0 / 19.2 / 6.5                                   |
| Category of Mounting Hardware             | XM (X-Medium)   |   |
| Weight                                    | kg<br>lb  | 29.7 / 34.2 (clamps incl.)<br>65.5 / 75.4 (clamps incl.)                |
| Packing Size                              | mm<br>inches  | 1650 / 550 / 293<br>65.0 / 21.7 / 11.5                                  |
| Scope of Supply                           | Panel, FlexRET and clamps for 55–115 mm   2.2–4.5 inches diameter |   |

## Accessories (order separately if required)

| Product No. | Description          | Remarks<br>mm   inches           | Units per antenna |
|-------------|----------------------|----------------------------------|-------------------|
| 85010097    | 2 clamps             | Mast diameter: 110–220   4.3–8.7 | 1                 |
| 85010110    | 1 downtilt kit       | Downtilt angle: 0°–10°           | 1                 |
| 86010154    | Site Sharing Adapter | 3-way (see figure below)         |                   |
| 86010155    | Site Sharing Adapter | 6-way (see figure below)         |                   |

## Accessories (included in the scope of supply)

| Product No. | Description | Remarks<br>mm   inches                 | Units per antenna |
|-------------|-------------|--|-------------------|
| 85010111    | 2 clamps    | Mast diameter: 55–115   2.2–4.5        | 1                 |
| 86010167    | FlexRET     | Compliant to 3GPP / AISG 2.0 – AISG 3* | 1                 |

\* FlexRET 86010167 does not support AISG 3 feature MALD

For downtilt mounting use the clamps for an appropriate mast diameter together with the downtilt kit.  
Wall mounting: No additional mounting kit needed.

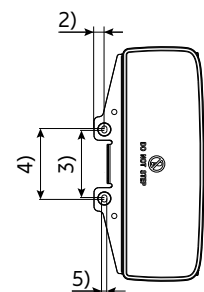
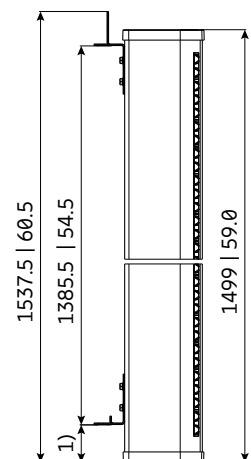
## Material:

**Reflector screen:** Aluminum.

**Fiberglass housing:** It covers totally the internal antenna components. The special design reduces the sealing areas to a minimum and guarantees the best weather protection. Fiberglass material guarantees optimum performance with regards to stability, stiffness, UV resistance and painting. The color of the radome is light grey.

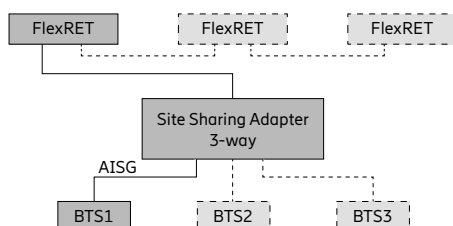
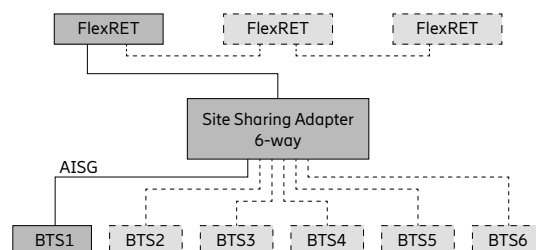
## Grounding:

The metal parts of the antenna including the mounting kit and the inner conductors are DC grounded.



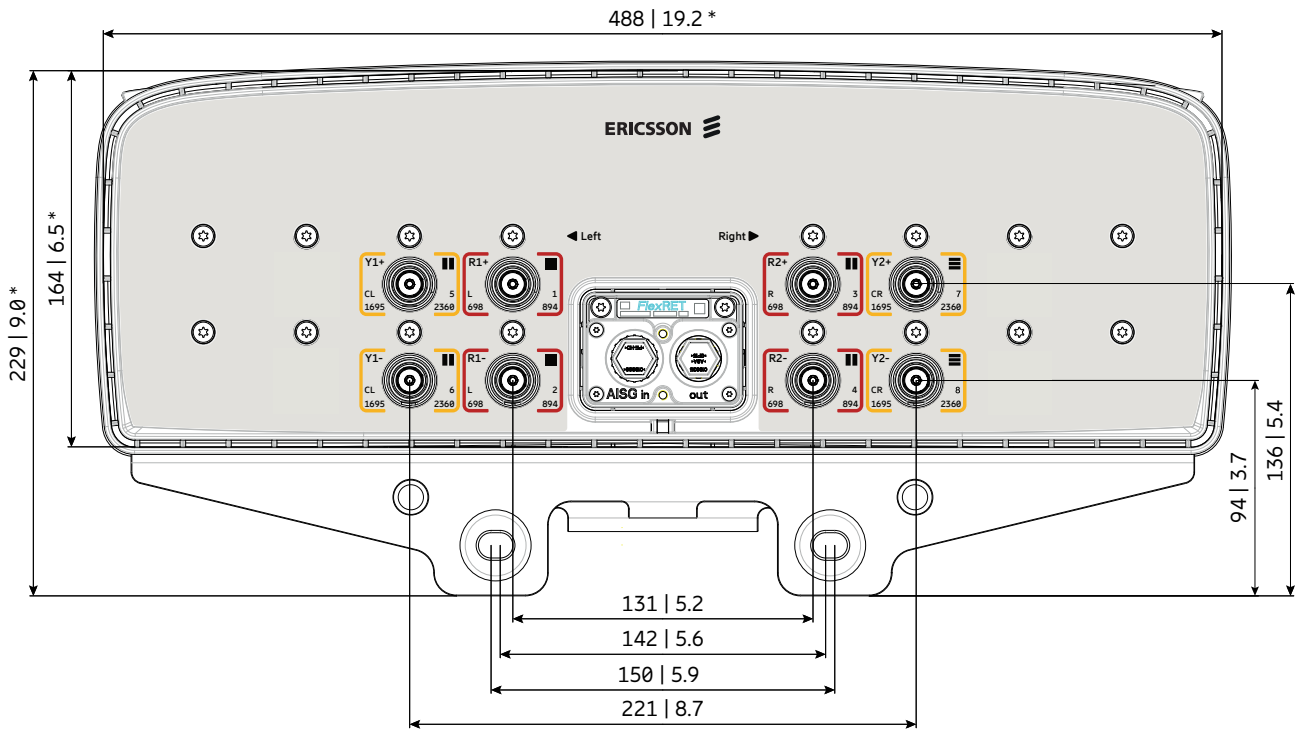
- 1) 79 | 3.1  
2) 22 | 0.9  
3) 142 | 5.6  
4) 150 | 5.9  
5) 11 | 0.4

All dimensions  
in mm | inches

Configuration example  
with Site Sharing Adapter 86010154Configuration example  
with Site Sharing Adapter 86010155

For more information please refer to the respective data sheets.

## Layout of interface



Bottom view  
\* Dimensions refer to radome  
All dimensions in mm | inches

## Correlation Table

| Frequency range | Array | Connector / Ports |
|-----------------|-------|-------------------|
| 698–894 MHz     | R1    | 1–2               |
| 698–894 MHz     | R2    | 3–4               |
| 1695–2360 MHz   | Y1    | 5–6               |
| 1695–2360 MHz   | Y2    | 7–8               |





# Antenna 4004 2L 2M 1.8m

KRE 101 2473/1

Capacity    Compact    Coverage

65° | 2x 617–894 MHz | 15.5 dBi  
65° | 2x 1695–2690 MHz | 18.0 dBi  
FlexRET



[ericsson.com/antenna-system](https://ericsson.com/antenna-system)



Scan or [click](#)

| Left side, lowband                          |     | R1, connector 1–2                  |            |            |
|---|-----|------------------------------------|------------|------------|
| Frequency Range                             | MHz | 617 – 698                          | 698 – 806  | 824 – 894  |
| Gain at mid Tilt                            | dBi | 14.3                               | 14.9       | 15.5       |
| Gain over all Tilts                         | dBi | 14.3 ± 0.4                         | 14.9 ± 0.4 | 15.5 ± 0.3 |
| <b>Horizontal Pattern:</b>                  |     |                                    |            |            |
| Azimuth Beamwidth                           | °   | 66 ± 5.0                           | 67 ± 2.4   | 66 ± 2.8   |
| Front-to-Back Ratio, Total Power, ± 30°     | dB  | > 17                               | > 21       | > 25       |
| <b>Vertical Pattern:</b>                    |     |                                    |            |            |
| Elevation Beamwidth                         | °   | 13.9 ± 0.7                         | 12.6 ± 0.7 | 11.5 ± 0.4 |
| Electrical Downtilt continuously adjustable | °   | 4.0 – 13.0                         |            |            |
| Tilt Accuracy                               | °   | < 0.7                              | < 0.6      | < 0.5      |
| First Upper Sidelobe Suppression            | dB  | > 14                               | > 18       | > 16       |
| Intra-Cluster Isolation                     | dB  | > 25                               |            |            |
| Port to Port Isolation                      | dB  | > 25 (R1 // R2, Y1, Y2)            |            |            |
| Max. Effective Power per Port               | W   | 400 (at 50 °C ambient temperature) |            |            |

Values based on NGMN-P-BASTA (version 11.1) requirements.

| Right side, lowband                         |     | R2, connector 3–4                  |            |            |
|---|-----|------------------------------------|------------|------------|
| Frequency Range                             | MHz | 617 – 698                          | 698 – 806  | 824 – 894  |
| Gain at mid Tilt                            | dBi | 14.3                               | 14.9       | 15.5       |
| Gain over all Tilts                         | dBi | 14.3 ± 0.5                         | 14.9 ± 0.4 | 15.5 ± 0.3 |
| <b>Horizontal Pattern:</b>                  |     |                                    |            |            |
| Azimuth Beamwidth                           | °   | 67 ± 5.3                           | 67 ± 2.8   | 66 ± 2.8   |
| Front-to-Back Ratio, Total Power, ± 30°     | dB  | > 16                               | > 21       | > 25       |
| <b>Vertical Pattern:</b>                    |     |                                    |            |            |
| Elevation Beamwidth                         | °   | 13.8 ± 0.8                         | 12.7 ± 0.7 | 11.5 ± 0.4 |
| Electrical Downtilt continuously adjustable | °   | 4.0 – 13.0                         |            |            |
| Tilt Accuracy                               | °   | < 0.7                              | < 0.6      | < 0.5      |
| First Upper Sidelobe Suppression            | dB  | > 14                               | > 17       | > 15       |
| Intra-Cluster Isolation                     | dB  | > 25                               |            |            |
| Port to Port Isolation                      | dB  | > 25 (R2 // R1, Y1, Y2)            |            |            |
| Max. Effective Power per Port               | W   | 400 (at 50 °C ambient temperature) |            |            |

Values based on NGMN-P-BASTA (version 11.1) requirements.

| Left side, midband                          |     | Y1, connector 5–6                  |             |             |             |             |
|---|-----|------------------------------------|-------------|-------------|-------------|-------------|
| Frequency Range                             | MHz | 1695 – 1880                        | 1850 – 1990 | 1920 – 2200 | 2300 – 2400 | 2490 – 2690 |
| Gain at mid Tilt                            | dBi | 17.6                               | 17.8        | 17.6        | 17.6        | 17.6        |
| Gain over all Tilts                         | dBi | 17.6 ± 0.6                         | 17.7 ± 0.5  | 17.5 ± 0.8  | 17.5 ± 0.7  | 17.5 ± 0.8  |
| <b>Horizontal Pattern:</b>                  |     |                                    |             |             |             |             |
| Azimuth Beamwidth                           | °   | 62 ± 4.2                           | 64 ± 4.1    | 68 ± 5.5    | 68 ± 3.6    | 58 ± 9.1    |
| Front-to-Back Ratio, Total Power, ± 30°     | dB  | > 30                               | > 30        | > 29        | > 29        | > 28        |
| <b>Vertical Pattern:</b>                    |     |                                    |             |             |             |             |
| Elevation Beamwidth                         | °   | 5.7 ± 0.3                          | 5.4 ± 0.3   | 5.1 ± 0.4   | 4.6 ± 0.2   | 4.2 ± 0.3   |
| Electrical Downtilt continuously adjustable | °   | 1.0 – 11.0                         |             |             |             |             |
| Tilt Accuracy                               | °   | < 0.4                              | < 0.4       | < 0.4       | < 0.4       | < 0.4       |
| First Upper Sidelobe Suppression            | dB  | > 18                               | > 18        | > 17        | > 18        | > 18        |
| Intra-Cluster Isolation                     | dB  | > 25                               |             |             |             |             |
| Port to Port Isolation                      | dB  | > 25 (Y1 // R1, R2, Y2)            |             |             |             |             |
| Max. Effective Power per Port               | W   | 200 (at 50 °C ambient temperature) |             |             |             |             |

Values based on NGMN-P-BASTA (version 11.1) requirements.

| Right side, midband                         |     | Y2, connector 7–8                  |             |             |             |             |
|---|-----|------------------------------------|-------------|-------------|-------------|-------------|
| Frequency Range                             | MHz | 1695 – 1880                        | 1850 – 1990 | 1920 – 2200 | 2300 – 2400 | 2490 – 2690 |
| Gain at mid Tilt                            | dBi | 17.6                               | 17.8        | 17.7        | 17.8        | 17.7        |
| Gain over all Tilts                         | dBi | 17.5 ± 0.7                         | 17.7 ± 0.6  | 17.5 ± 0.8  | 17.7 ± 0.7  | 17.5 ± 0.8  |
| <b>Horizontal Pattern:</b>                  |     |                                    |             |             |             |             |
| Azimuth Beamwidth                           | °   | 63 ± 4.3                           | 65 ± 5.2    | 68 ± 5.2    | 67 ± 2.6    | 57 ± 8.6    |
| Front-to-Back Ratio, Total Power, ± 30°     | dB  | > 29                               | > 30        | > 28        | > 29        | > 27        |
| <b>Vertical Pattern:</b>                    |     |                                    |             |             |             |             |
| Elevation Beamwidth                         | °   | 5.7 ± 0.4                          | 5.3 ± 0.4   | 5.0 ± 0.5   | 4.6 ± 0.3   | 4.2 ± 0.3   |
| Electrical Downtilt continuously adjustable | °   | 1.0 – 11.0                         |             |             |             |             |
| Tilt Accuracy                               | °   | < 0.4                              | < 0.4       | < 0.4       | < 0.4       | < 0.4       |
| First Upper Sidelobe Suppression            | dB  | > 16                               | > 17        | > 16        | > 17        | > 17        |
| Intra-Cluster Isolation                     | dB  | > 25                               |             |             |             |             |
| Port to Port Isolation                      | dB  | > 25 (Y2 // R1, R2, Y1)            |             |             |             |             |
| Max. Effective Power per Port               | W   | 200 (at 50 °C ambient temperature) |             |             |             |             |

Values based on NGMN-P-BASTA (version 11.1) requirements.

## Electrical specifications, all ports

|                                      |          |                                     |
|--------------------------------------|----------|-------------------------------------|
| Impedance                            | $\Omega$ | 50                                  |
| VSWR                                 |          | < 1.5                               |
| Return Loss                          | dB       | > 14                                |
| Inter-Cluster Isolation              | dB       | > 25                                |
| Passive Intermodulation              | dBc      | < -153 (2 x 43 dBm carrier)         |
| Polarization                         | °        | +45, -45°                           |
| Max. Effective Power for the Antenna | W        | 1000 (at 50 °C ambient temperature) |

Values based on NGMN-P-BASTA (version 11.1) requirements.

## Mechanical specifications

|   |   |  |
|---|---|--|
| Input                                     | 8x 4.3-10 female  |  |
| Connector Position                        | bottom  |  |
| Adjustment Mechanism                      | FlexRET, continuously adjustable                                  |  |
| Wind load (at Rated Wind Speed: 150 km/h) | N   lbf   | Frontal: 975   219<br>Maximal: 1130   255                |
| Wind Load Standard                        | EN 1994-1-4   |  |
| Wind Load Laboratory                      | TU Dresden; Göttinger-type wind tunnel                            |  |
| Max. Wind Velocity                        | km/h<br>mph   | 241<br>150   |
| Height / Width / Depth                    | mm<br>inches  | 1827 / 596 / 180<br>71.9 / 23.5 / 7.1                    |
| Category of Mounting Hardware             | XM (X-Medium)   |  |
| Weight                                    | kg<br>lb  | 40.0 / 45.0 (clamps incl.)<br>88.2 / 99.2 (clamps incl.) |
| Packing Size                              | mm<br>inches  | 1975 / 670 / 300<br>77.7 / 26.3 / 11.8                   |
| Scope of Supply                           | Panel, FlexRET and clamps for 55–115 mm   2.2–4.5 inches diameter |  |

## Accessories (order separately if required)

| Product No. | Description          | Remarks<br>mm   inches           | Units per antenna |
|-------------|----------------------|----------------------------------|-------------------|
| 85010097    | 2 clamps             | Mast diameter: 110–220   4.3–8.7 | 1                 |
| 85010110    | 1 downtilt kit       | Downtilt angle: 0°–10°           | 1                 |
| 86010154    | Site Sharing Adapter | 3-way (see figure below)         |                   |
| 86010155    | Site Sharing Adapter | 6-way (see figure below)         |                   |

## Accessories (included in the scope of supply)

| Product No. | Description | Remarks<br>mm   inches                 | Units per antenna |
|-------------|-------------|--|-------------------|
| 85010111    | 2 clamps    | Mast diameter: 55–115   2.2–4.5        | 1                 |
| 86010167    | FlexRET     | Compliant to 3GPP / AISG 2.0 – AISG 3* | 1                 |

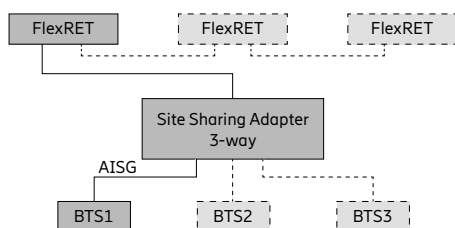
\* FlexRET 86010167 does not support AISG 3 feature MALD

For downtilt mounting use the clamps for an appropriate mast diameter together with the downtilt kit.  
Wall mounting: No additional mounting kit needed.

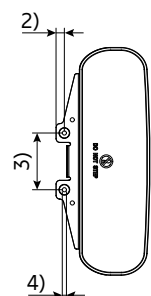
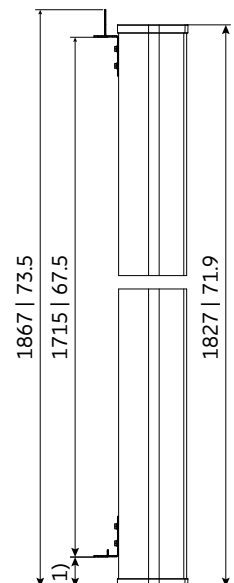
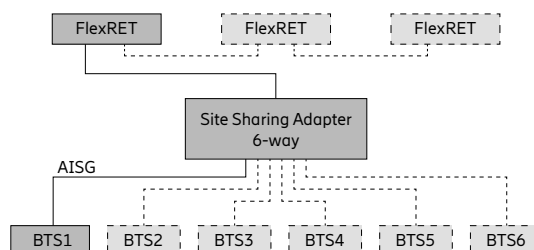
**Material:** **Reflector screen:** Aluminum.  
**Fiberglass housing:** It covers totally the internal antenna components. The special design reduces the sealing areas to a minimum and guarantees the best weather protection. Fiberglass material guarantees optimum performance with regards to stability, stiffness, UV resistance and painting. The color of the radome is light grey.

**Grounding:** The metal parts of the antenna including the mounting kit and the inner conductors are DC grounded.

## Configuration example with Site Sharing Adapter 86010154



## Configuration example with Site Sharing Adapter 86010155

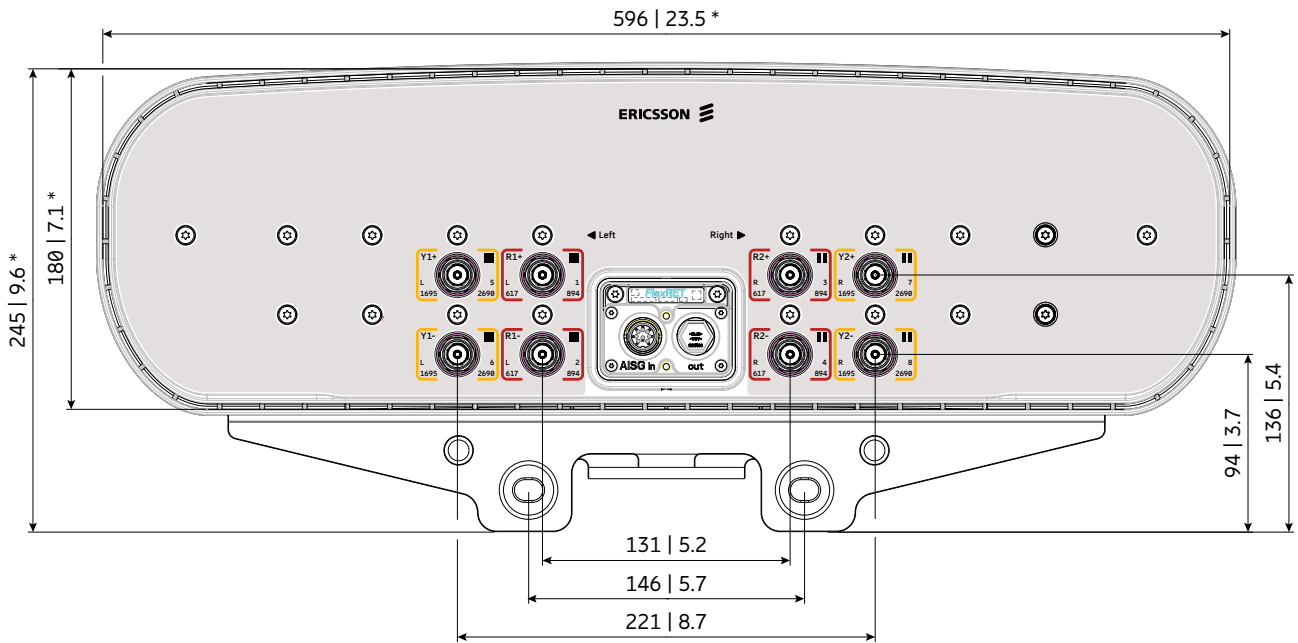


1) 79 | 3.1  
2) 22 | 0.9  
3) 146 | 5.7  
4)  $\varnothing$  11 | 0.4

All dimensions in mm | inches

For more information please refer to the respective data sheets.

## Layout of interface



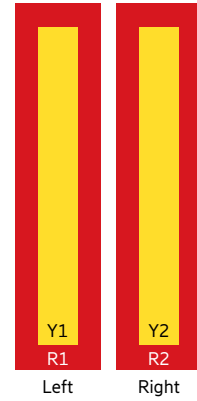
Bottom view  
\* Dimensions refer to radome  
All dimensions in mm | inches

## Correlation Table

| Frequency range | Array | Connector / Ports | RET |
|-----------------|-------|-------------------|-----|
| 617–894 MHz     | R1    | 1–2               | R1  |
| 617–894 MHz     | R2    | 3–4               |     |
| 1695–2690 MHz   | Y1    | 5–6               | Y1  |
| 1695–2690 MHz   | Y2    | 7–8               |     |







2LB nMB

# Antenna 4004 2L 2M 2.6m

KRE 101 2566/1

Capacity

Compact

Coverage

65° | 2x 698–960 MHz | 16.0 dBi  
65° | 2x 1695–2690 MHz | 17.5 dBi  
Electrical downtilt set by integrated RET



[ericsson.com/antenna-system](https://ericsson.com/antenna-system)



Scan or [click](#)

| Left side, lowband                          |     | R1, connector 1–2                  |            |            |            |
|---|-----|------------------------------------|------------|------------|------------|
| Frequency Range                             | MHz | 698 – 806                          | 791 – 862  | 824 – 894  | 880 – 960  |
| Gain at mid Tilt                            | dBi | 15.4                               | 15.9       | 16.1       | 16.3       |
| Gain over all Tilts                         | dBi | 15.4 ± 0.5                         | 15.8 ± 0.4 | 16.0 ± 0.3 | 16.3 ± 0.4 |
| <b>Horizontal Pattern:</b>                  |     |                                    |            |            |            |
| Azimuth Beamwidth                           | °   | 69 ± 5.2                           | 66 ± 3.3   | 66 ± 3.3   | 63 ± 2.3   |
| Front-to-Back Ratio, Total Power, ± 30°     | dB  | > 22                               | > 24       | > 24       | > 25       |
| <b>Vertical Pattern:</b>                    |     |                                    |            |            |            |
| Elevation Beamwidth                         | °   | 9.5 ± 0.6                          | 8.7 ± 0.3  | 8.4 ± 0.3  | 8.0 ± 0.4  |
| Electrical Downtilt continuously adjustable | °   | 1.0 – 10.0                         |            |            |            |
| Tilt Accuracy                               | °   | < 0.6                              | < 0.5      | < 0.4      | < 0.4      |
| First Upper Side Lobe Suppression           | dB  | > 23                               | > 25       | > 25       | > 27       |
| Cross Polar Isolation                       | dB  | > 27                               |            |            |            |
| Port to Port Isolation                      | dB  | 27 (R1 // R2, Y1, Y2)              |            |            |            |
| Max. Effective Power per Port               | W   | 200 (at 40 °C ambient temperature) |            |            |            |
| Max. Effective Power Ports R1               | W   | 300 (at 40 °C ambient temperature) |            |            |            |

Values based on NGMN-P-BASTA (version 10.0) requirements.

| Right side, lowband                         |     | R2, connector 3–4                  |            |            |            |
|---|-----|------------------------------------|------------|------------|------------|
| Frequency Range                             | MHz | 698 – 806                          | 791 – 862  | 824 – 894  | 880 – 960  |
| Gain at mid Tilt                            | dBi | 15.3                               | 15.8       | 16.0       | 16.2       |
| Gain over all Tilts                         | dBi | 15.3 ± 0.5                         | 15.8 ± 0.4 | 16.0 ± 0.3 | 16.2 ± 0.4 |
| <b>Horizontal Pattern:</b>                  |     |                                    |            |            |            |
| Azimuth Beamwidth                           | °   | 71 ± 5.9                           | 68 ± 3.3   | 67 ± 3.0   | 64 ± 2.1   |
| Front-to-Back Ratio, Total Power, ± 30°     | dB  | > 20                               | > 23       | > 24       | > 24       |
| <b>Vertical Pattern:</b>                    |     |                                    |            |            |            |
| Elevation Beamwidth                         | °   | 9.5 ± 0.6                          | 8.7 ± 0.3  | 8.5 ± 0.4  | 8.0 ± 0.4  |
| Electrical Downtilt continuously adjustable | °   | 1.0 – 10.0                         |            |            |            |
| Tilt Accuracy                               | °   | < 0.4                              | < 0.3      | < 0.3      | < 0.2      |
| First Upper Side Lobe Suppression           | dB  | > 22                               | > 24       | > 25       | > 26       |
| Cross Polar Isolation                       | dB  | > 27                               |            |            |            |
| Port to Port Isolation                      | dB  | 27 (R2 // R1, Y1, Y2)              |            |            |            |
| Max. Effective Power per Port               | W   | 200 (at 40 °C ambient temperature) |            |            |            |
| Max. Effective Power Ports R2               | W   | 300 (at 40 °C ambient temperature) |            |            |            |

Values based on NGMN-P-BASTA (version 10.0) requirements.

| Left side, midband                          |     | Y1, connector 5–6                  |             |             |             |             |
|---|-----|------------------------------------|-------------|-------------|-------------|-------------|
| Frequency Range                             | MHz | 1695 – 1880                        | 1850 – 1990 | 1920 – 2180 | 2300 – 2400 | 2500 – 2690 |
| Gain at mid Tilt                            | dBi | 17.1                               | 17.2        | 17.0        | 17.1        | 17.4        |
| Gain over all Tilts                         | dBi | 17.0 ± 0.6                         | 17.1 ± 0.5  | 16.9 ± 0.8  | 17.1 ± 0.8  | 17.4 ± 0.9  |
| <b>Horizontal Pattern:</b>                  |     |                                    |             |             |             |             |
| Azimuth Beamwidth                           | °   | 66 ± 4.8                           | 67 ± 2.9    | 69 ± 5.9    | 60 ± 6.0    | 58 ± 5.9    |
| Front-to-Back Ratio, Total Power, ± 30°     | dB  | > 22                               | > 22        | > 21        | > 21        | > 20        |
| <b>Vertical Pattern:</b>                    |     |                                    |             |             |             |             |
| Elevation Beamwidth                         | °   | 7.3 ± 0.5                          | 6.7 ± 0.3   | 6.4 ± 0.3   | 5.7 ± 0.4   | 5.3 ± 0.3   |
| Electrical Downtilt continuously adjustable | °   | 2.0 – 12.0                         |             |             |             |             |
| Tilt Accuracy                               | °   | < 0.4                              | < 0.3       | < 0.4       | < 0.5       | < 0.4       |
| First Upper Side Lobe Suppression           | dB  | > 24                               | > 21        | > 19        | > 20        | > 19        |
| Cross Polar Isolation                       | dB  | > 27                               |             |             |             |             |
| Port to Port Isolation                      | dB  | 27 (Y1 // R2, R1, Y2)              |             |             |             |             |
| Max. Effective Power per Port               | W   | 175 (at 40 °C ambient temperature) |             |             |             |             |
| Max. Effective Power Ports Y1               | W   | 300 (at 40 °C ambient temperature) |             |             |             |             |

Values based on NGMN-P-BASTA (version 10.0) requirements.

| Right side, midband                         |     | Y2, connector 7–8                  |             |             |             |             |
|---|-----|------------------------------------|-------------|-------------|-------------|-------------|
| Frequency Range                             | MHz | 1695 – 1880                        | 1850 – 1990 | 1920 – 2180 | 2300 – 2400 | 2500 – 2690 |
| Gain at mid Tilt                            | dBi | 17.1                               | 17.3        | 17.0        | 17.1        | 17.4        |
| Gain over all Tilts                         | dBi | 17.0 ± 0.6                         | 17.2 ± 0.5  | 17.0 ± 0.8  | 17.1 ± 0.8  | 17.4 ± 0.9  |
| <b>Horizontal Pattern:</b>                  |     |                                    |             |             |             |             |
| Azimuth Beamwidth                           | °   | 66 ± 5.0                           | 66 ± 4.3    | 69 ± 7.9    | 62 ± 5.7    | 57 ± 6.1    |
| Front-to-Back Ratio, Total Power, ± 30°     | dB  | > 21                               | > 22        | > 21        | > 21        | > 22        |
| <b>Vertical Pattern:</b>                    |     |                                    |             |             |             |             |
| Elevation Beamwidth                         | °   | 7.3 ± 0.4                          | 6.7 ± 0.3   | 6.4 ± 0.5   | 5.7 ± 0.4   | 5.2 ± 0.3   |
| Electrical Downtilt continuously adjustable | °   | 2.0 – 12.0                         |             |             |             |             |
| Tilt Accuracy                               | °   | < 0.4                              | < 0.4       | < 0.4       | < 0.4       | < 0.3       |
| First Upper Side Lobe Suppression           | dB  | > 24                               | > 23        | > 21        | > 21        | > 20        |
| Cross Polar Isolation                       | dB  | > 27                               |             |             |             |             |
| Port to Port Isolation                      | dB  | 27 (Y2 // R2, R1, Y1)              |             |             |             |             |
| Max. Effective Power per Port               | W   | 175 (at 40 °C ambient temperature) |             |             |             |             |
| Max. Effective Power Ports Y2               | W   | 300 (at 40 °C ambient temperature) |             |             |             |             |

Values based on NGMN-P-BASTA (version 10.0) requirements.

## Electrical specifications, all ports

|                                      |            |   |
|--------------------------------------|------------|---|
| Impedance                            | $\Omega$   | 50  |
| VSWR                                 |            | < 1.5   |
| Return Loss                          | dB         | > 14  |
| Interband Isolation                  | dB         | > 27  |
| Passive Intermodulation              | dBc        | < -153 (2 x 43 dBm carrier)                   |
| Polarization                         | $^{\circ}$ | -45, +45                                      |
| Max. Effective Power for the Antenna | W          | 1000 (at 40 $^{\circ}$ C ambient temperature) |

Values based on NGMN-P-BASTA (version 10.0) requirements.

## Mechanical specifications

|   |  |   |
|---|--|---|
| Input                                     | 8 x 4.3-10 female  |   |
| Connector Position                        | bottom   |   |
| Adjustment Mechanism                      | Integrated RET, continuously adjustable                                  |   |
| Wind load (at Rated Wind Speed: 150 km/h) | N   lbf  | Frontal: 1520   341<br>Maximal: 1675   376                |
| Max. Wind Velocity                        | km/h<br>mph  | 200<br>124  |
| Height / Width / Depth                    | mm<br>inches   | 2550 / 448 / 164<br>100.4 / 17.6 / 6.5                    |
| Category of Mounting Hardware             | XH (X-Heavy)   |   |
| Weight (approx.)                          | kg<br>lb   | 44.9 / 49.9 (clamps incl.)<br>99.0 / 110.0 (clamps incl.) |
| Packing Size                              | mm<br>inches   | 2770 / 473 / 250<br>109.1 / 18.6 / 9.8                    |
| Scope of Supply                           | Panel, integrated RET and clamps for 55–115 mm   2.2–4.5 inches diameter |   |

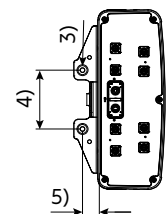
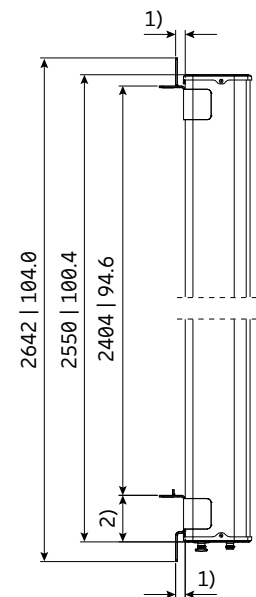
## Accessories (order separately if required)

| Product No | Description    | Remarks<br>mm   inches                     | Units per antenna |
|------------|----------------|--|-------------------|
| 85010097   | 2 clamps       | Mast diameter: 110–220   4.3–8.7           | 1                 |
| 85010099   | 1 downtilt kit | Downtilt angle: 0 $^{\circ}$ –9 $^{\circ}$ | 1                 |

For downtilt mounting use the clamps for an appropriate mast diameter together with the downtilt kit.  
Wall mounting: No additional mounting kit needed.

**Material:** **Reflector screen:** Aluminum.  
**Fiberglass housing:** It covers totally the internal antenna components. The special design reduces the sealing areas to a minimum and guarantees the best weather protection. Fiberglass material guarantees optimum performance with regards to stability, stiffness, UV resistance and painting. The color of the radome is light grey.  
**All nuts and bolts:** Stainless steel or hot-dip galvanized steel.

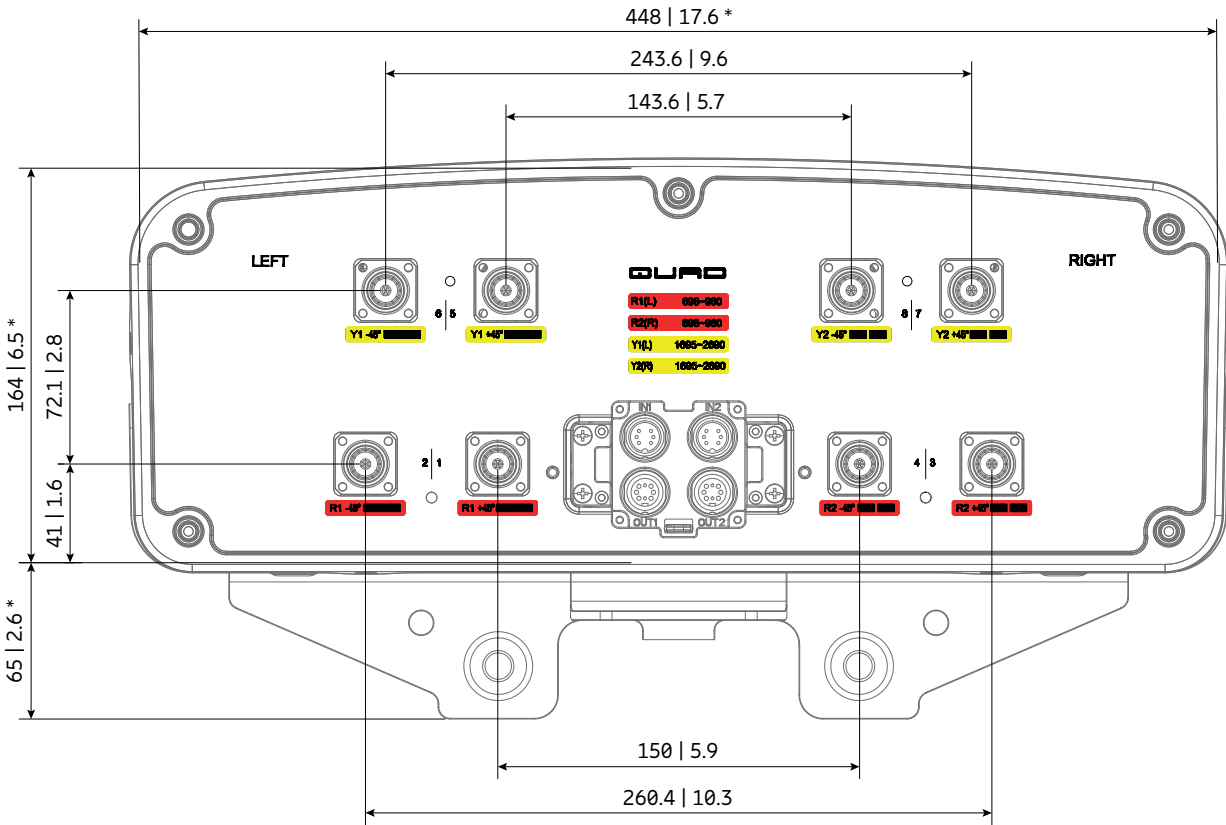
**Grounding:** The metal parts of the antenna including the mounting kit and the inner conductors are DC grounded.



- 1) 24 | 1.0
- 2) 117.5 | 4.6
- 3)  $\varnothing$  11 | 0.4
- 4) 150 | 5.9
- 5) 43 | 1.7

All dimensions  
in mm | inches

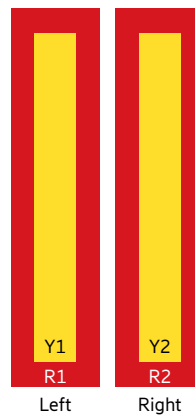
### Layout of interface



Bottom view  
\* Dimensions refer to radome  
All dimensions in mm | inches

### Correlation Table

| Frequency range | Array | Connector / Ports |
|-----------------|-------|-------------------|
| 698–960 MHz     | R1    | 1–2               |
| 698–960 MHz     | R2    | 3–4               |
| 1695–2690 MHz   | Y1    | 5–6               |
| 1695–2690 MHz   | Y2    | 7–8               |





# Antenna 4400 2L 3M 1.5m

800442004

Capacity **Compact** Coverage

65° | 2x 698–960 MHz | 14.6 dBi  
65° | 2x 1427–2690 MHz | 17.6 dBi  
65° | 1x 1695–2690 MHz | 17.7 dBi  
FlexRET



[ericsson.com/antenna-system](https://ericsson.com/antenna-system)



Scan or [click](#)

| Left side, lowband                          |     | R1, connector 1–2                              |            |            |            |
|---|-----|--|------------|------------|------------|
| Frequency Range                             | MHz | 698 – 806                                      | 791 – 862  | 824 – 894  | 880 – 960  |
| Gain at mid Tilt                            | dBi | 13.5   | 14.2       | 14.4       | 14.7       |
| Gain over all Tilts                         | dBi | 13.4 ± 0.5                                     | 14.2 ± 0.3 | 14.4 ± 0.3 | 14.6 ± 0.4 |
| <b>Horizontal Pattern:</b>                  |     |  |            |            |            |
| Azimuth Beamwidth                           | °   | 64 ± 7   | 58 ± 5     | 55 ± 5     | 52 ± 6     |
| Front-to-Back Ratio, Total Power, ± 30°     | dB  | > 21   | > 23       | > 25       | > 25       |
| <b>Vertical Pattern:</b>                    |     |  |            |            |            |
| Elevation Beamwidth                         | °   | 15.8 ± 1.6                                     | 14.7 ± 0.9 | 14.4 ± 0.9 | 13.6 ± 0.9 |
| Electrical Downtilt continuously adjustable | °   | 2.0 – 14.0                                     |            |            |            |
| Tilt Accuracy                               | °   | < 0.9  | < 0.7      | < 0.6      | < 0.7      |
| First Upper Side Lobe Suppression           | dB  | > 16   | > 16       | > 17       | > 16       |
| Cross Polar Isolation                       | dB  | > 25   |            |            |            |
| Port to Port Isolation                      | dB  | typ > 25 (R1 // R2)<br>> 28 (R1 // Y1, Y2, Y3) |            |            |            |
| Max. Effective Power per Port               | W   | 300 (at 50 °C ambient temperature)             |            |            |            |

Values based on NGMN-P-BASTA (version 10.0) requirements.

| Right side, lowband                         |     | R2, connector 3–4                  |            |            |            |
|---|-----|------------------------------------|------------|------------|------------|
| Frequency Range                             | MHz | 698 – 806                          | 791 – 862  | 824 – 894  | 880 – 960  |
| Gain at mid Tilt                            | dBi | 13.5                               | 14.1       | 14.3       | 14.6       |
| Gain over all Tilts                         | dBi | 13.4 ± 0.5                         | 14.1 ± 0.4 | 14.3 ± 0.4 | 14.5 ± 0.5 |
| <b>Horizontal Pattern:</b>                  |     |                                    |            |            |            |
| Azimuth Beamwidth                           | °   | 64 ± 6                             | 58 ± 6     | 56 ± 4     | 52 ± 6     |
| Front-to-Back Ratio, Total Power, ± 30°     | dB  | > 21                               | > 24       | > 25       | > 24       |
| <b>Vertical Pattern:</b>                    |     |                                    |            |            |            |
| Elevation Beamwidth                         | °   | 15.8 ± 1.4                         | 14.8 ± 0.8 | 14.5 ± 0.9 | 13.8 ± 0.9 |
| Electrical Downtilt continuously adjustable | °   | 2.0 – 14.0                         |            |            |            |
| Tilt Accuracy                               | °   | < 0.9                              | < 0.7      | < 0.6      | < 0.5      |
| First Upper Side Lobe Suppression           | dB  | > 16                               | > 16       | > 17       | > 15       |
| Cross Polar Isolation                       | dB  | > 25                               |            |            |            |
| Port to Port Isolation                      | dB  | > 28 (R2 // Y1, Y2, Y3)            |            |            |            |
| Max. Effective Power per Port               | W   | 300 (at 50 °C ambient temperature) |            |            |            |

Values based on NGMN-P-BASTA (version 10.0) requirements.

| Left side, midband                          |     | Y1, connector 5–6                  |             |             |             |             |             |
|---|-----|------------------------------------|-------------|-------------|-------------|-------------|-------------|
| Frequency Range                             | MHz | 1427 – 1518                        | 1695 – 1880 | 1850 – 1990 | 1920 – 2170 | 2300 – 2400 | 2500 – 2690 |
| Gain at mid Tilt                            | dBi | 16.3                               | 17.4        | 17.6        | 17.7        | 17.8        | 17.6        |
| Gain over all Tilts                         | dBi | 16.2 ± 0.4                         | 17.3 ± 0.6  | 17.2 ± 0.8  | 17.4 ± 0.8  | 17.5 ± 0.8  | 17.5 ± 0.7  |
| <b>Horizontal Pattern:</b>                  |     |                                    |             |             |             |             |             |
| Azimuth Beamwidth                           | °   | 71 ± 3                             | 66 ± 4      | 67 ± 6      | 65 ± 4      | 61 ± 4      | 60 ± 4      |
| Front-to-Back Ratio, Total Power, ± 30°     | dB  | > 29                               | > 28        | > 25        | > 26        | > 30        | > 29        |
| <b>Vertical Pattern:</b>                    |     |                                    |             |             |             |             |             |
| Elevation Beamwidth                         | °   | 8.2 ± 0.4                          | 7.0 ± 0.3   | 6.6 ± 0.3   | 6.3 ± 0.4   | 5.6 ± 0.1   | 5.2 ± 0.2   |
| Electrical Downtilt continuously adjustable | °   | 2.0 – 12.0                         |             |             |             |             |             |
| Tilt Accuracy                               | °   | < 0.7                              | < 0.2       | < 0.1       | < 0.1       | < 0.2       | < 0.1       |
| First Upper Side Lobe Suppression           | dB  | > 16                               | > 18        | > 19        | > 19        | > 21        | > 23        |
| Cross Polar Isolation                       | dB  | > 25                               |             |             |             |             |             |
| Port to Port Isolation                      | dB  | > 28 (Y1 // R1, R2, Y2, Y3)        |             |             |             |             |             |
| Max. Effective Power per Port               | W   | 200 (at 50 °C ambient temperature) |             |             |             |             |             |

Values based on NGMN-P-BASTA (version 10.0) requirements.

| Center, midband                             |     | Y2, connector 7–8                  |             |             |             |             |
|---|-----|------------------------------------|-------------|-------------|-------------|-------------|
| Frequency Range                             | MHz | 1695 – 1880                        | 1850 – 1990 | 1920 – 2170 | 2300 – 2400 | 2500 – 2690 |
| Gain at mid Tilt                            | dBi | 16.9                               | 17.3        | 17.5        | 17.7        | 17.6        |
| Gain over all Tilts                         | dBi | 16.8 ± 0.5                         | 17.2 ± 0.6  | 17.4 ± 0.7  | 17.5 ± 0.4  | 17.4 ± 0.5  |
| <b>Horizontal Pattern:</b>                  |     |                                    |             |             |             |             |
| Azimuth Beamwidth                           | °   | 56 ± 3                             | 57 ± 4      | 58 ± 3      | 62 ± 3      | 65 ± 2      |
| Front-to-Back Ratio, Total Power, ± 30°     | dB  | > 30                               | > 27        | > 28        | > 31        | > 30        |
| <b>Vertical Pattern:</b>                    |     |                                    |             |             |             |             |
| Elevation Beamwidth                         | °   | 8.9 ± 0.7                          | 8.2 ± 0.4   | 7.8 ± 0.6   | 7.0 ± 0.4   | 6.5 ± 0.3   |
| Electrical Downtilt continuously adjustable | °   | 2.0 – 12.0                         |             |             |             |             |
| Tilt Accuracy                               | °   | < 0.4                              | < 0.4       | < 0.4       | < 0.5       | < 0.3       |
| First Upper Side Lobe Suppression           | dB  | > 17                               | > 17        | > 18        | > 18        | > 21        |
| Cross Polar Isolation                       | dB  | > 25                               |             |             |             |             |
| Port to Port Isolation                      | dB  | > 28 (Y2 // R1, R2, Y1, Y3)        |             |             |             |             |
| Max. Effective Power per Port               | W   | 200 (at 50 °C ambient temperature) |             |             |             |             |

Values based on NGMN-P-BASTA (version 10.0) requirements.



| Right side, midband                         |     | Y3, connector 9 – 10               |             |             |             |             |             |
|---|-----|------------------------------------|-------------|-------------|-------------|-------------|-------------|
| Frequency Range                             | MHz | 1427 – 1518                        | 1695 – 1880 | 1850 – 1990 | 1920 – 2170 | 2300 – 2400 | 2500 – 2690 |
| Gain at mid Tilt                            | dBi | 16.2                               | 17.3        | 17.3        | 17.5        | 17.4        | 17.6        |
| Gain over all Tilts                         | dBi | 16.2 ± 0.4                         | 17.2 ± 0.6  | 17.2 ± 0.7  | 17.4 ± 0.8  | 17.4 ± 0.7  | 17.5 ± 0.6  |
| <b>Horizontal Pattern:</b>                  |     |                                    |             |             |             |             |             |
| Azimuth Beamwidth                           | °   | 72 ± 4                             | 67 ± 3      | 67 ± 4      | 65 ± 5      | 63 ± 5      | 59 ± 4      |
| Front-to-Back Ratio, Total Power, ± 30°     | dB  | > 29                               | > 27        | > 25        | > 25        | > 28        | > 28        |
| <b>Vertical Pattern:</b>                    |     |                                    |             |             |             |             |             |
| Elevation Beamwidth                         | °   | 8.2 ± 0.4                          | 7.0 ± 0.4   | 6.6 ± 0.3   | 6.2 ± 0.4   | 5.6 ± 0.2   | 5.2 ± 0.3   |
| Electrical Downtilt continuously adjustable | °   | 2.0 – 12.0                         |             |             |             |             |             |
| Tilt Accuracy                               | °   | < 0.4                              | < 0.2       | < 0.2       | < 0.2       | < 0.3       | < 0.3       |
| First Upper Side Lobe Suppression           | dB  | > 16                               | > 19        | > 20        | > 19        | > 21        | > 24        |
| Cross Polar Isolation                       | dB  | > 25                               |             |             |             |             |             |
| Port to Port Isolation                      | dB  | > 28 (Y3 // R1, R2, Y1, Y2)        |             |             |             |             |             |
| Max. Effective Power per Port               | W   | 200 (at 50 °C ambient temperature) |             |             |             |             |             |

Values based on NGMN-P-BASTA (version 10.0) requirements.

## Electrical specifications, all ports

|                                      |          |                                     |
|--------------------------------------|----------|-------------------------------------|
| Impedance                            | $\Omega$ | 50                                  |
| VSWR                                 |          | < 1.5                               |
| Return Loss                          | dB       | > 14                                |
| Interband Isolation                  | dB       | > 25                                |
| Passive Intermodulation              | dBc      | < -153 (2 x 43 dBm carrier)*        |
| Polarization                         | °        | -45, +45                            |
| Max. Effective Power for the Antenna | W        | 1000 (at 50 °C ambient temperature) |

Values based on NGMN-P-BASTA (version 10.0) requirements.  
\* not applicable for L-band

## Mechanical specifications

|   |              |   |
|---|--------------|---|
| Input                                     |              | 10 x 4.3-10 female  |
| Connector Position                        |              | bottom  |
| Adjustment Mechanism                      |              | FlexRET,<br>continuously adjustable                               |
| Wind load (at Rated Wind Speed: 150 km/h) | N   lbf      | Frontal: 525   118<br>Maximal: 700   157                          |
| Max. Wind Velocity                        | km/h<br>mph  | 241<br>150  |
| Height / Width / Depth                    | mm<br>inches | 1499 / 448 / 164<br>59.0 / 17.6 / 6.5                             |
| Category of Mounting Hardware             |              | XM (X-Medium)   |
| Weight                                    | kg<br>lb     | 32.9 / 37.1 (clamps incl.)<br>72.9 / 81.6 (clamps incl.)          |
| Packing Size                              | mm<br>inches | 1635 / 495 / 250<br>64.4 / 19.5 / 9.8                             |
| Scope of Supply                           |              | Panel, FlexRET and clamps for 55–115 mm   2.2–4.5 inches diameter |

## Accessories (order separately if required)

| Product No.   | Description          | Remarks<br>mm   inches  | Units per antenna |
|---------------|----------------------|---|-------------------|
| 85010097      | 2 clamps             | Mast diameter: 110–220   4.3–8.7                                  | 1                 |
| 85010110      | 1 downtilt kit       | Downtilt angle: 0°–10°  | 1                 |
| 86010154      | Site Sharing Adapter | 3-way (see figure below)  |                   |
| 86010155      | Site Sharing Adapter | 6-way (see figure below)  |                   |
| 86010162      | Gender Adapter       | Solely to be used in combination with a compatible FlexRET module | 1                 |
| KRY 121 108/1 | Port Extender        |   | 1                 |

## Accessories (included in the scope of supply)

| Product No. | Description | Remarks<br>mm   inches                      | Units per antenna |
|-------------|-------------|---|-------------------|
| 85010111    | 2 clamps    | Mast diameter: 55–115   2.2–4.5             | 1                 |
| 86010165    | FlexRET     | Compliant to 3GPP / AISG 2.0 – AISG 3 ready | 1                 |

For downtilt mounting use the clamps for an appropriate mast diameter together with the downtilt kit.  
Wall mounting: No additional mounting kit needed.

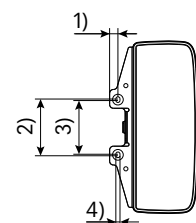
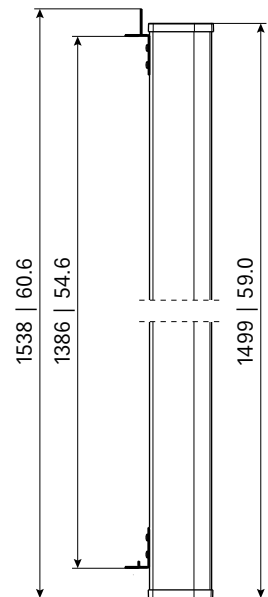
## Material:

**Reflector screen:** Aluminum.

**Fiberglass housing:** It covers totally the internal antenna components. The special design reduces the sealing areas to a minimum and guarantees the best weather protection. Fiberglass material guarantees optimum performance with regards to stability, stiffness, UV resistance and painting. The color of the radome is light grey.  
**All nuts and bolts:** Stainless steel or hot-dip galvanized steel.

## Grounding:

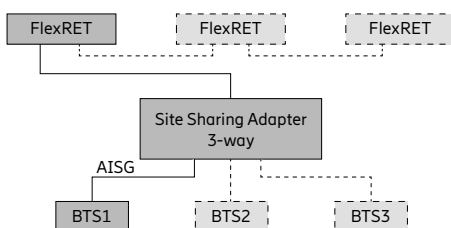
The metal parts of the antenna including the mounting kit and the inner conductors are DC grounded.



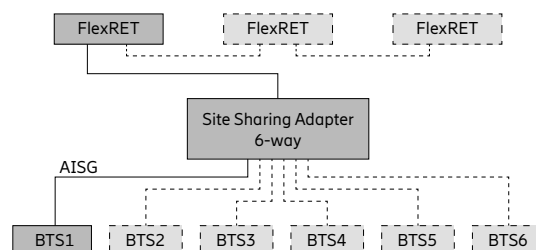
- 1) 22 | 0.9  
2) 150 | 5.9  
3) 142 | 5.6  
4) 11 | 0.4

All dimensions in mm | inches

## Configuration example with Site Sharing Adapter 86010154

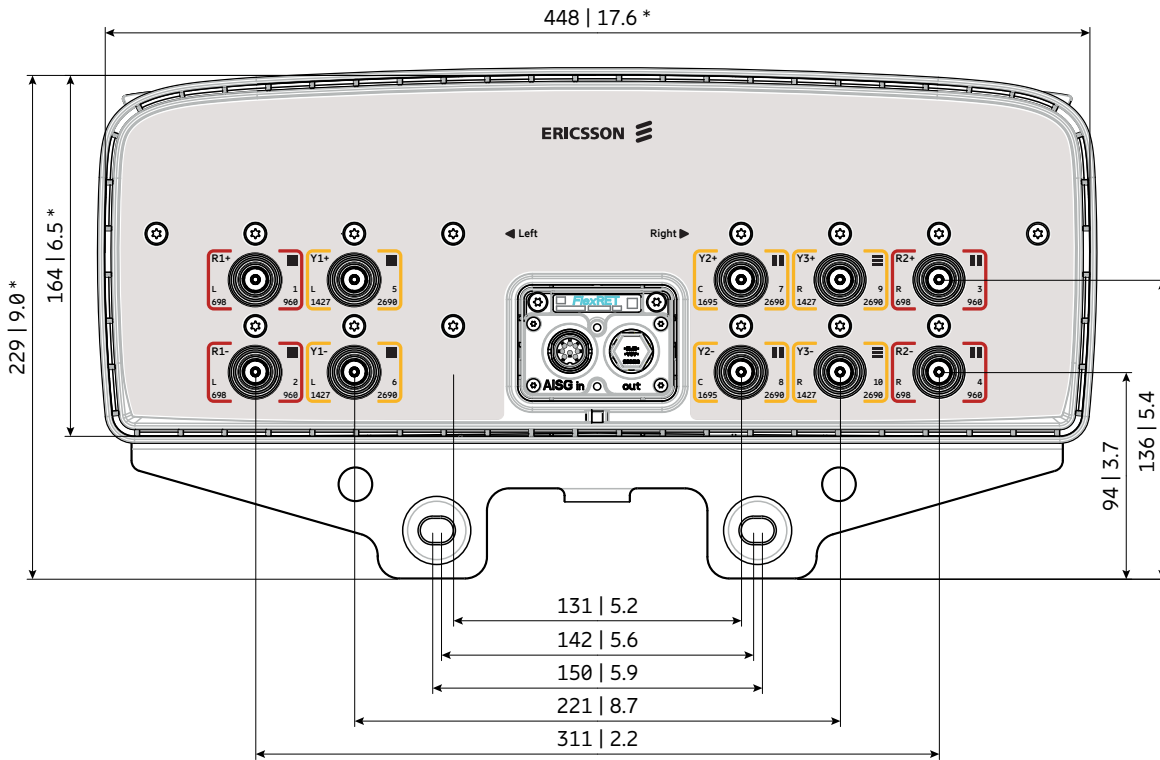


## Configuration example with Site Sharing Adapter 86010155



For more information please refer to the respective data sheets.

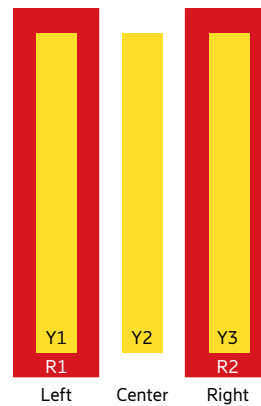
### Layout of interface



Bottom view  
 \* Dimensions refer to radome  
 All dimensions in mm | inches

### Correlation Table

| Frequency range | Array | Connector / Ports |
|-----------------|-------|-------------------|
| 698–960 MHz     | R1    | 1–2               |
| 698–960 MHz     | R2    | 3–4               |
| 1427–2690 MHz   | Y1    | 5–6               |
| 1695–2690 MHz   | Y2    | 7–8               |
| 1427–2690 MHz   | Y3    | 9–10              |





# Antenna 4401 2L 3M 2.0m

KRE 101 2476/1

Capacity   **Compact**   Coverage

65° | 2x 698–960 MHz | 15.9 dBi  
65° | 2x 1427–2690 MHz | 17.6 dBi  
65° | 1x 1695–2690 MHz | 17.6 dBi  
FlexRET



[ericsson.com/antenna-system](https://ericsson.com/antenna-system)



Scan or [click](#)

2LB nMB

| Left side, lowband                                      |     | R1, connector 1–2                  |            |            |            |
|---|-----|------------------------------------|------------|------------|------------|
| Frequency Range   | MHz | 698 – 806                          | 791 – 862  | 824 – 894  | 880 – 960  |
| Gain at mid Tilt  | dBi | 14.5                               | 15.2       | 15.4       | 15.9       |
| Gain over all Tilts                                     | dBi | 14.5 ± 0.6                         | 15.2 ± 0.4 | 15.4 ± 0.4 | 15.9 ± 0.4 |
| <b>Horizontal Pattern:</b>                              |     |                                    |            |            |            |
| Azimuth Beamwidth                                       | °   | 63 ± 7                             | 58 ± 3     | 57 ± 4     | 51 ± 5     |
| Front-to-Back Ratio, Total Power, ± 30°                 | dB  | > 21                               | > 22       | > 24       | > 23       |
| <b>Vertical Pattern:</b>                                |     |                                    |            |            |            |
| Elevation Beamwidth                                     | °   | 11.5 ± 0.9                         | 10.9 ± 0.6 | 10.6 ± 0.5 | 10.0 ± 0.7 |
| Electrical Downtilt continuously adjustable             | °   | 2.5 – 11.5                         |            |            |            |
| Tilt Accuracy   | °   | < 0.5                              | < 0.4      | < 0.4      | < 0.4      |
| First Upper Side Lobe Suppression                       | dB  | > 15                               | > 17       | > 19       | > 21       |
| Upper Side Lobe Suppression, 20° Sector above Main Beam | dB  | > 15                               | > 17       | > 19       | > 19       |
| Cross Polar Isolation                                   | dB  | > 25                               |            |            |            |
| Port to Port Isolation                                  | dB  | > 25 (R1 // R2, Y1, Y2, Y3)        |            |            |            |
| Max. Effective Power per Port                           | W   | 400 (at 50 °C ambient temperature) |            |            |            |

Values based on NGMN-P-BASTA (version 10.0) requirements.

| Right side, lowband                                     |     | R2, connector 3–4                  |            |            |            |
|---|-----|------------------------------------|------------|------------|------------|
| Frequency Range   | MHz | 698 – 806                          | 791 – 862  | 824 – 894  | 880 – 960  |
| Gain at mid Tilt  | dBi | 14.5                               | 15.1       | 15.4       | 15.8       |
| Gain over all Tilts                                     | dBi | 14.5 ± 0.6                         | 15.1 ± 0.5 | 15.4 ± 0.3 | 15.8 ± 0.5 |
| <b>Horizontal Pattern:</b>                              |     |                                    |            |            |            |
| Azimuth Beamwidth                                       | °   | 64 ± 7                             | 59 ± 3     | 57 ± 4     | 52 ± 6     |
| Front-to-Back Ratio, Total Power, ± 30°                 | dB  | > 20                               | > 22       | > 22       | > 22       |
| <b>Vertical Pattern:</b>                                |     |                                    |            |            |            |
| Elevation Beamwidth                                     | °   | 11.5 ± 0.9                         | 10.9 ± 0.6 | 10.7 ± 0.6 | 10.1 ± 0.7 |
| Electrical Downtilt continuously adjustable             | °   | 2.5 – 11.5                         |            |            |            |
| Tilt Accuracy   | °   | < 0.6                              | < 0.4      | < 0.4      | < 0.4      |
| First Upper Side Lobe Suppression                       | dB  | > 15                               | > 17       | > 19       | > 20       |
| Upper Side Lobe Suppression, 20° Sector above Main Beam | dB  | > 15                               | > 17       | > 19       | > 19       |
| Cross Polar Isolation                                   | dB  | > 25                               |            |            |            |
| Port to Port Isolation                                  | dB  | > 25 (R2 // R1, Y1, Y2, Y3)        |            |            |            |
| Max. Effective Power per Port                           | W   | 400 (at 50 °C ambient temperature) |            |            |            |

Values based on NGMN-P-BASTA (version 10.0) requirements.

| Left side, midband                                      |     | Y1, connector 5–6                  |             |             |             |             |             |
|---|-----|------------------------------------|-------------|-------------|-------------|-------------|-------------|
| Frequency Range   | MHz | 1427 – 1518                        | 1695 – 1880 | 1850 – 1990 | 1920 – 2200 | 2300 – 2400 | 2490 – 2690 |
| Gain at mid Tilt  | dBi | 16.2                               | 17.4        | 17.5        | 17.7        | 17.5        | 17.5        |
| Gain over all Tilts                                     | dBi | 16.2 ± 0.2                         | 17.4 ± 0.6  | 17.4 ± 0.7  | 17.6 ± 0.8  | 17.5 ± 0.8  | 17.5 ± 0.7  |
| <b>Horizontal Pattern:</b>                              |     |                                    |             |             |             |             |             |
| Azimuth Beamwidth                                       | °   | 73 ± 3                             | 66 ± 4      | 67 ± 4      | 64 ± 7      | 63 ± 3      | 58 ± 4      |
| Front-to-Back Ratio, Total Power, ± 30°                 | dB  | > 27                               | > 29        | > 28        | > 27        | > 28        | > 27        |
| <b>Vertical Pattern:</b>                                |     |                                    |             |             |             |             |             |
| Elevation Beamwidth                                     | °   | 8.2 ± 0.4                          | 7.0 ± 0.4   | 6.5 ± 0.3   | 6.2 ± 0.3   | 5.7 ± 0.3   | 5.3 ± 0.3   |
| Electrical Downtilt continuously adjustable             | °   | 2.0 – 12.0                         |             |             |             |             |             |
| Tilt Accuracy   | °   | < 0.4                              | < 0.2       | < 0.2       | < 0.2       | < 0.2       | < 0.2       |
| First Upper Side Lobe Suppression                       | dB  | > 15                               | > 19        | > 19        | > 18        | > 20        | > 20        |
| Upper Side Lobe Suppression, 20° Sector above Main Beam | dB  | > 15                               | > 19        | > 18        | > 17        | > 17        | > 16        |
| Cross Polar Isolation                                   | dB  | > 25                               |             |             |             |             |             |
| Port to Port Isolation                                  | dB  | > 25 (Y1 // R1, R2, Y2, Y3)        |             |             |             |             |             |
| Max. Effective Power per Port                           | W   | 200 (at 50 °C ambient temperature) |             |             |             |             |             |

Values based on NGMN-P-BASTA (version 10.0) requirements.

| Center, midband   |     | Y2, connector 7–8                  |             |             |             |             |
|---|-----|------------------------------------|-------------|-------------|-------------|-------------|
| Frequency Range   | MHz | 1695 – 1880                        | 1850 – 1990 | 1920 – 2200 | 2300 – 2400 | 2490 – 2690 |
| Gain at mid Tilt  | dBi | 16.8                               | 17.1        | 17.4        | 17.7        | 17.7        |
| Gain over all Tilts                                     | dBi | 16.8 ± 0.6                         | 17.1 ± 0.6  | 17.3 ± 0.7  | 17.6 ± 0.5  | 17.6 ± 0.6  |
| <b>Horizontal Pattern:</b>                              |     |                                    |             |             |             |             |
| Azimuth Beamwidth                                       | °   | 57 ± 4                             | 60 ± 6      | 60 ± 6      | 60 ± 6      | 63 ± 3      |
| Front-to-Back Ratio, Total Power, ± 30°                 | dB  | > 28                               | > 28        | > 29        | > 30        | > 31        |
| <b>Vertical Pattern:</b>                                |     |                                    |             |             |             |             |
| Elevation Beamwidth                                     | °   | 8.9 ± 0.6                          | 8.2 ± 0.4   | 7.7 ± 0.5   | 7.2 ± 0.3   | 6.5 ± 0.3   |
| Electrical Downtilt continuously adjustable             | °   | 2.0 – 12.0                         |             |             |             |             |
| Tilt Accuracy   | °   | < 0.3                              | < 0.3       | < 0.3       | < 0.3       | < 0.3       |
| First Upper Side Lobe Suppression                       | dB  | > 20                               | > 19        | > 20        | > 21        | > 23        |
| Upper Side Lobe Suppression, 20° Sector above Main Beam | dB  | > 20                               | > 18        | > 18        | > 19        | > 20        |
| Cross Polar Isolation                                   | dB  | > 25                               |             |             |             |             |
| Port to Port Isolation                                  | dB  | > 25 (Y2 // R1, R2, Y1, Y3)        |             |             |             |             |
| Max. Effective Power per Port                           | W   | 200 (at 50 °C ambient temperature) |             |             |             |             |

Values based on NGMN-P-BASTA (version 10.0) requirements.

| Right side, midband                                     |     | Y3, connector 9–10                 |             |             |             |             |             |
|---|-----|------------------------------------|-------------|-------------|-------------|-------------|-------------|
| Frequency Range   | MHz | 1427 – 1518                        | 1695 – 1880 | 1850 – 1990 | 1920 – 2200 | 2300 – 2400 | 2490 – 2690 |
| Gain at mid Tilt  | dBi | 16.1                               | 17.3        | 17.4        | 17.6        | 17.5        | 17.6        |
| Gain over all Tilts                                     | dBi | 16.1 ± 0.3                         | 17.3 ± 0.5  | 17.3 ± 0.7  | 17.6 ± 0.8  | 17.5 ± 0.8  | 17.6 ± 0.9  |
| <b>Horizontal Pattern:</b>                              |     |                                    |             |             |             |             |             |
| Azimuth Beamwidth                                       | °   | 72 ± 3                             | 67 ± 4      | 68 ± 5      | 65 ± 8      | 63 ± 3      | 57 ± 4      |
| Front-to-Back Ratio, Total Power, ± 30°                 | dB  | > 27                               | > 27        | > 26        | > 26        | > 26        | > 25        |
| <b>Vertical Pattern:</b>                                |     |                                    |             |             |             |             |             |
| Elevation Beamwidth                                     | °   | 8.2 ± 0.4                          | 7.0 ± 0.4   | 6.5 ± 0.3   | 6.2 ± 0.4   | 5.6 ± 0.3   | 5.3 ± 0.3   |
| Electrical Downtilt continuously adjustable             | °   | 2.0 – 12.0                         |             |             |             |             |             |
| Tilt Accuracy   | °   | < 0.4                              | < 0.2       | < 0.2       | < 0.2       | < 0.2       | < 0.2       |
| First Upper Side Lobe Suppression                       | dB  | > 15                               | > 19        | > 19        | > 18        | > 19        | > 21        |
| Upper Side Lobe Suppression, 20° Sector above Main Beam | dB  | > 15                               | > 19        | > 18        | > 17        | > 16        | > 15        |
| Cross Polar Isolation                                   | dB  | > 25                               |             |             |             |             |             |
| Port to Port Isolation                                  | dB  | > 25 (Y3 // R1, R2, Y1, Y2)        |             |             |             |             |             |
| Max. Effective Power per Port                           | W   | 200 (at 50 °C ambient temperature) |             |             |             |             |             |

Values based on NGMN-P-BASTA (version 10.0) requirements.

## Electrical specifications, all ports

|                                      |          |                                     |
|--------------------------------------|----------|-------------------------------------|
| Impedance                            | $\Omega$ | 50                                  |
| VSWR                                 |          | < 1.5                               |
| Return Loss                          | dB       | > 14                                |
| Interband Isolation                  | dB       | > 25                                |
| Passive Intermodulation              | dBc      | < -153 (2 x 43 dBm carrier)*        |
| Polarization                         | °        | +45, -45°                           |
| Max. Effective Power for the Antenna | W        | 1200 (at 50 °C ambient temperature) |

Values based on NGMN-P-BASTA (version 10.0) requirements.  
\* not applicable for L-band

## Mechanical specifications

|   |   |  |
|---|---|--|
| Input                                     | 10 x 4.3-10 female  |  |
| Connector Position                        | bottom  |  |
| Adjustment Mechanism                      | FlexRET, continuously adjustable                                  |  |
| Wind load (at Rated Wind Speed: 150 km/h) | N   lbf   | Frontal: 725   163<br>Maximal: 950   214                 |
| Max. Wind Velocity                        | km/h<br>mph   | 241<br>150   |
| Height / Width / Depth                    | mm<br>inches  | 1999 / 448 / 164<br>78.7 / 17.6 / 6.5                    |
| Category of Mounting Hardware             | XM (X-Medium)   |  |
| Weight (approx.)                          | kg<br>lb  | 40.5 / 45.0 (clamps incl.)<br>89.3 / 99.2 (clamps incl.) |
| Packing Size                              | mm<br>inches  | 2150 / 510 / 293<br>84.6 / 20.1 / 11.5                   |
| Scope of Supply                           | Panel, FlexRET and clamps for 55–115 mm   2.2–4.5 inches diameter |  |

## Accessories (order separately if required)

| Product No.   | Description          | Remarks<br>mm   inches                            | Units per antenna |
|---------------|----------------------|---|-------------------|
| 85010097      | 2 clamps             | Mast diameter: 110–220   4.3–8.7                  | 1                 |
| 85010110      | 1 downtilt kit       | Downtilt angle: 0°–10°                            | 1                 |
| 86010154      | Site Sharing Adapter | 3-way (see figure below)                          |                   |
| 86010155      | Site Sharing Adapter | 6-way (see figure below)                          |                   |
| 86010162      | Gender Adapter       | To be used in combination with the FlexRET module | 1                 |
| KRE 121 108/1 | Port Extender        |   | 1                 |

## Accessories (included in the scope of supply)

| Product No. | Description | Remarks<br>mm   inches                      | Units per antenna |
|-------------|-------------|---|-------------------|
| 85010111    | 2 clamps    | Mast diameter: 55–115   2.2–4.5             | 1                 |
| 86010165    | FlexRET     | Compliant to 3GPP / AISG 2.0 – AISG 3 ready | 1                 |

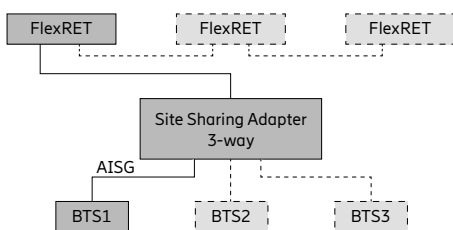
For downtilt mounting use the clamps for an appropriate mast diameter together with the downtilt kit.  
Wall mounting: No additional mounting kit needed.

**Material:** Reflector screen: Aluminum.

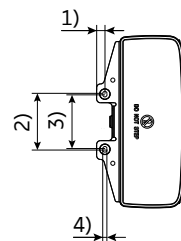
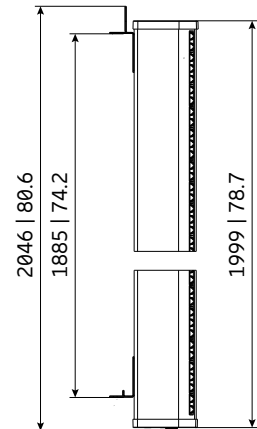
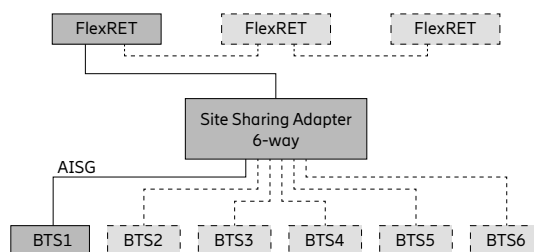
**Fiberglass housing:** It covers totally the internal antenna components. The special design reduces the sealing areas to a minimum and guarantees the best weather protection. Fiberglass material guarantees optimum performance with regards to stability, stiffness, UV resistance and painting. The color of the radome is light grey.

**Grounding:** The metal parts of the antenna including the mounting kit and the inner conductors are DC grounded.

## Configuration example with Site Sharing Adapter 86010154



## Configuration example with Site Sharing Adapter 86010155



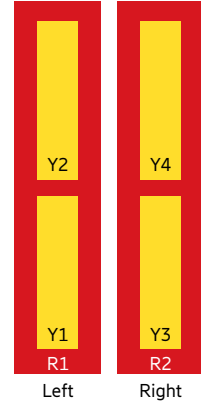
- 1) 22 | 0.9
- 2) 150 | 5.9
- 3) 142 | 5.6
- 4) 11 | 0.4

All dimensions in mm | inches

For more information please refer to the respective data sheets.







# Antenna 4200 2L 4M 2.0m

80010991

**Capacity**   Compact   Coverage

65° | 2x 698–960 MHz | 15.5 dBi  
65° | 4x 1695–2690 MHz | 16.5 dBi  
FlexRET



[ericsson.com/antenna-system](https://ericsson.com/antenna-system)



Scan or [click](#)

2LB nMB

| Left side, lowband                          |     | R1, connector 1–2                              |            |            |            |
|---|-----|--|------------|------------|------------|
| Frequency Range                             | MHz | 698 – 806                                      | 791 – 862  | 824 – 894  | 880 – 960  |
| Gain at mid Tilt                            | dBi | 14.8   | 15.4       | 15.6       | 15.9       |
| Gain over all Tilts                         | dBi | 14.8 ± 0.5                                     | 15.4 ± 0.3 | 15.6 ± 0.2 | 15.8 ± 0.2 |
| <b>Horizontal Pattern:</b>                  |     |  |            |            |            |
| Azimuth Beamwidth                           | °   | 62 ± 3.9                                       | 61 ± 3.2   | 60 ± 2.7   | 60 ± 2.1   |
| Front-to-Back Ratio, Total Power, ± 30°     | dB  | > 22   | > 25       | > 27       | > 25       |
| <b>Vertical Pattern:</b>                    |     |  |            |            |            |
| Elevation Beamwidth                         | °   | 11.9 ± 0.8                                     | 11.0 ± 0.8 | 10.5 ± 0.5 | 10.1 ± 0.4 |
| Electrical Downtilt continuously adjustable | °   | 2.0 – 12.0                                     |            |            |            |
| Tilt Accuracy                               | °   | < 0.7  | < 0.8      | < 0.7      | < 0.7      |
| First Upper Side Lobe Suppression           | dB  | > 14   | > 14       | > 15       | > 14       |
| Cross Polar Isolation                       | dB  | > 30   |            |            |            |
| Port to Port Isolation                      | dB  | > 26 (R1 // R2)<br>> 30 (R1 // Y1, Y2, Y3, Y4) |            |            |            |
| Max. Effective Power per Port               | W   | 400 (at 50 °C ambient temperature)             |            |            |            |
| Max. Effective Power Ports R1               | W   | 800 (at 50 °C ambient temperature)             |            |            |            |

Values based on NGMN-P-BASTA (version 9.6) requirements.

| Right side, lowband                         |     | R2, connector 3–4                              |            |            |            |
|---|-----|--|------------|------------|------------|
| Frequency Range                             | MHz | 698 – 806                                      | 791 – 862  | 824 – 894  | 880 – 960  |
| Gain at mid Tilt                            | dBi | 14.8   | 15.4       | 15.5       | 15.8       |
| Gain over all Tilts                         | dBi | 14.8 ± 0.6                                     | 15.3 ± 0.3 | 15.5 ± 0.3 | 15.7 ± 0.3 |
| <b>Horizontal Pattern:</b>                  |     |  |            |            |            |
| Azimuth Beamwidth                           | °   | 63 ± 3.6                                       | 62 ± 1.8   | 62 ± 2.1   | 60 ± 3.7   |
| Front-to-Back Ratio, Total Power, ± 30°     | dB  | > 22   | > 24       | > 26       | > 27       |
| <b>Vertical Pattern:</b>                    |     |  |            |            |            |
| Elevation Beamwidth                         | °   | 11.6 ± 0.7                                     | 11.0 ± 0.6 | 10.7 ± 0.4 | 10.2 ± 0.5 |
| Electrical Downtilt continuously adjustable | °   | 2.0 – 12.0                                     |            |            |            |
| Tilt Accuracy                               | °   | < 0.6  | < 0.6      | < 0.6      | < 0.4      |
| First Upper Side Lobe Suppression           | dB  | > 14   | > 16       | > 16       | > 16       |
| Cross Polar Isolation                       | dB  | > 28   |            |            |            |
| Port to Port Isolation                      | dB  | > 26 (R2 // R1)<br>> 30 (R2 // Y1, Y2, Y3, Y4) |            |            |            |
| Max. Effective Power per Port               | W   | 400 (at 50 °C ambient temperature)             |            |            |            |
| Max. Effective Power Ports R2               | W   | 800 (at 50 °C ambient temperature)             |            |            |            |

Values based on NGMN-P-BASTA (version 9.6) requirements.

| Left side, midband                          |     | Y1, connector 5–6                  |             |             |             |             |
|---|-----|------------------------------------|-------------|-------------|-------------|-------------|
| Frequency Range                             | MHz | 1695 – 1880                        | 1850 – 1990 | 1920 – 2170 | 2300 – 2400 | 2500 – 2690 |
| Gain at mid Tilt                            | dBi | 15.5                               | 15.8        | 16.0        | 15.6        | 15.9        |
| Gain over all Tilts                         | dBi | 15.5 ± 0.4                         | 15.7 ± 0.5  | 15.9 ± 0.5  | 15.6 ± 0.8  | 15.8 ± 0.6  |
| <b>Horizontal Pattern:</b>                  |     |                                    |             |             |             |             |
| Azimuth Beamwidth                           | °   | 66 ± 4.5                           | 66 ± 6.1    | 63 ± 6.6    | 61 ± 7.6    | 58 ± 5.8    |
| Front-to-Back Ratio, Total Power, ± 30°     | dB  | > 22                               | > 23        | > 24        | > 21        | > 23        |
| <b>Vertical Pattern:</b>                    |     |                                    |             |             |             |             |
| Elevation Beamwidth                         | °   | 10.7 ± 0.6                         | 10.1 ± 0.5  | 9.5 ± 0.7   | 8.5 ± 0.6   | 7.7 ± 0.6   |
| Electrical Downtilt continuously adjustable | °   | 2.0 – 14.0                         |             |             |             |             |
| Tilt Accuracy                               | °   | < 0.4                              | < 0.3       | < 0.3       | < 0.5       | < 0.4       |
| First Upper Side Lobe Suppression           | dB  | > 21                               | > 21        | > 20        | > 20        | > 18        |
| Cross Polar Isolation                       | dB  | > 26, typically > 30               |             |             |             |             |
| Port to Port Isolation                      | dB  | > 30 (Y1 // R1, Y2, Y3, Y4)        |             |             |             |             |
| Max. Effective Power per Port               | W   | 200 (at 50 °C ambient temperature) |             |             |             |             |
| Max. Effective Power Ports Y1               | W   | 400 (at 50 °C ambient temperature) |             |             |             |             |

Values based on NGMN-P-BASTA (version 9.6) requirements.

| Right side, midband                         |     | Y2, connector 7–8                  |             |             |             |             |
|---|-----|------------------------------------|-------------|-------------|-------------|-------------|
| Frequency Range                             | MHz | 1695 – 1880                        | 1850 – 1990 | 1920 – 2170 | 2300 – 2400 | 2500 – 2690 |
| Gain at mid Tilt                            | dBi | 16.0                               | 16.3        | 16.6        | 16.4        | 16.1        |
| Gain over all Tilts                         | dBi | 15.9 ± 0.5                         | 16.3 ± 0.6  | 16.5 ± 0.7  | 16.3 ± 0.9  | 16.0 ± 0.6  |
| <b>Horizontal Pattern:</b>                  |     |                                    |             |             |             |             |
| Azimuth Beamwidth                           | °   | 62 ± 6.6                           | 62 ± 7.5    | 60 ± 7.3    | 57 ± 6.5    | 62 ± 8.8    |
| Front-to-Back Ratio, Total Power, ± 30°     | dB  | > 21                               | > 25        | > 26        | > 23        | > 24        |
| <b>Vertical Pattern:</b>                    |     |                                    |             |             |             |             |
| Elevation Beamwidth                         | °   | 9.3 ± 0.9                          | 8.6 ± 0.4   | 8.2 ± 0.6   | 7.3 ± 0.4   | 6.6 ± 0.5   |
| Electrical Downtilt continuously adjustable | °   | 2.0 – 14.0                         |             |             |             |             |
| Tilt Accuracy                               | °   | < 0.4                              | < 0.2       | < 0.2       | < 0.2       | < 0.4       |
| First Upper Side Lobe Suppression           | dB  | > 19                               | > 19        | > 20        | > 18        | > 19        |
| Cross Polar Isolation                       | dB  | > 26, typically > 30               |             |             |             |             |
| Port to Port Isolation                      | dB  | > 30 (Y2 // R1, R2, Y1, Y3, Y4)    |             |             |             |             |
| Max. Effective Power per Port               | W   | 200 (at 50 °C ambient temperature) |             |             |             |             |
| Max. Effective Power Ports Y2               | W   | 400 (at 50 °C ambient temperature) |             |             |             |             |

Values based on NGMN-P-BASTA (version 9.6) requirements.

## Right side, lower midband

## Y3, connector 9–10

| Frequency Range                             | MHz | 1695 – 1880                        | 1850 – 1990 | 1920 – 2170 | 2300 – 2400 | 2500 – 2690 |
|---|-----|------------------------------------|-------------|-------------|-------------|-------------|
| Gain at mid Tilt                            | dBi | 15.5                               | 15.7        | 15.8        | 15.8        | 15.8        |
| Gain over all Tilts                         | dBi | 15.5 ± 0.5                         | 15.7 ± 0.5  | 15.9 ± 0.6  | 15.7 ± 0.9  | 15.8 ± 0.7  |
| <b>Horizontal Pattern:</b>                  |     |                                    |             |             |             |             |
| Azimuth Beamwidth                           | °   | 66 ± 4.0                           | 66 ± 7.8    | 65 ± 7.3    | 59 ± 8.0    | 60 ± 9.0    |
| Front-to-Back Ratio, Total Power, ± 30°     | dB  | > 22                               | > 24        | > 25        | > 23        | > 22        |
| <b>Vertical Pattern:</b>                    |     |                                    |             |             |             |             |
| Elevation Beamwidth                         | °   | 10.7 ± 0.7                         | 10.0 ± 0.6  | 9.5 ± 0.8   | 8.5 ± 0.6   | 7.7 ± 0.6   |
| Electrical Downtilt continuously adjustable | °   | 2.0 – 14.0                         |             |             |             |             |
| Tilt Accuracy                               | °   | < 0.4                              | < 0.3       | < 0.3       | < 0.4       | < 0.4       |
| First Upper Side Lobe Suppression           | dB  | > 20                               | > 21        | > 21        | > 17        | > 18        |
| Cross Polar Isolation                       | dB  | > 26, typically > 30               |             |             |             |             |
| Port to Port Isolation                      | dB  | > 30 ( Y3 // R1, R2, Y1, Y2, Y4)   |             |             |             |             |
| Max. Effective Power per Port               | W   | 200 (at 50 °C ambient temperature) |             |             |             |             |
| Max. Effective Power Ports Y3               | W   | 400 (at 50 °C ambient temperature) |             |             |             |             |

Values based on NGMN-P-BASTA (version 9.6) requirements.

## Right side, upper midband

## Y4, connector 11–12

| Frequency Range                             | MHz | 1695 – 1880                        | 1850 – 1990 | 1920 – 2170 | 2300 – 2400 | 2500 – 2690 |
|---|-----|------------------------------------|-------------|-------------|-------------|-------------|
| Gain at mid Tilt                            | dBi | 15.9                               | 16.2        | 16.5        | 16.7        | 16.1        |
| Gain over all Tilts                         | dBi | 15.8 ± 0.5                         | 16.1 ± 0.6  | 16.4 ± 0.7  | 16.6 ± 0.9  | 16.0 ± 0.6  |
| <b>Horizontal Pattern:</b>                  |     |                                    |             |             |             |             |
| Azimuth Beamwidth                           | °   | 64 ± 6.8                           | 64 ± 7.8    | 61 ± 7.8    | 54 ± 6.7    | 64 ± 10.3   |
| Front-to-Back Ratio, Total Power, ± 30°     | dB  | > 23                               | > 24        | > 24        | > 25        | > 24        |
| <b>Vertical Pattern:</b>                    |     |                                    |             |             |             |             |
| Elevation Beamwidth                         | °   | 9.5 ± 0.9                          | 8.7 ± 0.5   | 8.2 ± 0.6   | 7.1 ± 0.3   | 6.8 ± 0.6   |
| Electrical Downtilt continuously adjustable | °   | 2.0 – 14.0                         |             |             |             |             |
| Tilt Accuracy                               | °   | < 0.4                              | < 0.2       | < 0.2       | < 0.2       | < 0.3       |
| First Upper Side Lobe Suppression           | dB  | > 20                               | > 20        | > 20        | > 20        | > 17        |
| Cross Polar Isolation                       | dB  | > 26, typically > 30               |             |             |             |             |
| Port to Port Isolation                      | dB  | > 30 ( Y4 // R1, R2, Y1, Y2, Y3)   |             |             |             |             |
| Max. Effective Power per Port               | W   | 200 (at 50 °C ambient temperature) |             |             |             |             |
| Max. Effective Power Ports Y4               | W   | 400 (at 50 °C ambient temperature) |             |             |             |             |

Values based on NGMN-P-BASTA (version 9.6) requirements.

## Electrical specifications, all ports

|                                      |            |                                     |
|--------------------------------------|------------|-------------------------------------|
| Impedance                            | $\Omega$   | 50                                  |
| VSWR                                 |            | < 1.5                               |
| Return Loss                          | dB         | > 14                                |
| Interband Isolation                  | dB         | > 26                                |
| Passive Intermodulation              | dBc        | < -153 (2 x 43 dBm carrier)         |
| Polarization                         | $^{\circ}$ | +45, -45                            |
| Max. Effective Power for the Antenna | W          | 1300 (at 50 °C ambient temperature) |

Values based on NGMN-P-BASTA (version 9.6) requirements.

## Mechanical specifications

|   |   |  |
|---|---|--|
| Input                                     | 12x 4.3-10 female   |  |
| Connector Position                        | bottom  |  |
| Adjustment Mechanism                      | FlexRET, continuously adjustable                                    |  |
| Wind load (at Rated Wind Speed: 150 km/h) | N   lbf   | Frontal: 1130   254<br>Maximal: 1140   256                 |
| Max. Wind Velocity                        | km/h<br>mph   | 241<br>150   |
| Height / Width / Depth                    | mm<br>inches  | 1999 / 508 / 175<br>78.7 / 20.0 / 6.9                      |
| Category of Mounting Hardware             | XM (X-Medium)   |  |
| Weight                                    | kg<br>lb  | 46.0 / 50.5 (clamps incl.)<br>101.4 / 111.3 (clamps incl.) |
| Packing Size                              | mm<br>inches  | 2200 / 542 / 268<br>86.6 / 21.3 / 10.6                     |
| Scope of Supply                           | Panel and 2 units of clamps for 55–115 mm   2.2–4.5 inches diameter |  |

## Accessories (order separately if required)

| Product No.   | Description          | Remarks<br>mm   inches  | Units per antenna |
|---------------|----------------------|---|-------------------|
| 85010097      | 2 clamps             | Mast diameter: 110–220   4.3–8.7                                  | 1                 |
| 85010110      | 1 downtilt kit       | Downtilt angle: 0°–13°  | 1                 |
| 86010154      | Site Sharing Adapter | 3-way (see figure below)  |                   |
| 86010155      | Site Sharing Adapter | 6-way (see figure below)  |                   |
| 86010162      | Gender Adapter       | Solely to be used in combination with a compatible FlexRET module | 1                 |
| KRY 121 108/1 | Port Extender        |   | 1                 |

## Accessories (included in the scope of supply)

| Product No. | Description | Remarks<br>mm   inches          | Units per antenna |
|-------------|-------------|---------------------------------|-------------------|
| 85010111    | 2 clamps    | Mast diameter: 55–115   2.2–4.5 | 1                 |
| 86010153V01 | FlexRET     | Compliant to 3GPP / AISG 2.0    | 1                 |

For downtilt mounting use the clamps for an appropriate mast diameter together with the downtilt kit. Wall mounting: No additional mounting kit needed.

## Material:

**Reflector screen:** Aluminum.

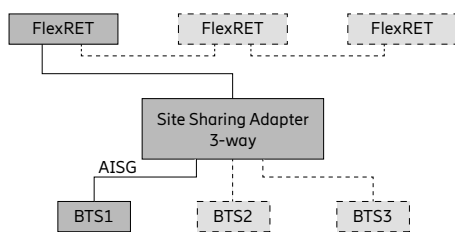
**Fiberglass housing:** It covers totally the internal antenna components. The special design reduces the sealing areas to a minimum and guarantees the best weather protection. Fiberglass material guarantees optimum performance with regards to stability, stiffness, UV resistance and painting. The color of the radome is light grey.

**All nuts and bolts:** Stainless steel or hot-dip galvanized steel.

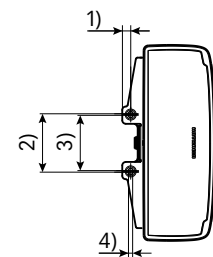
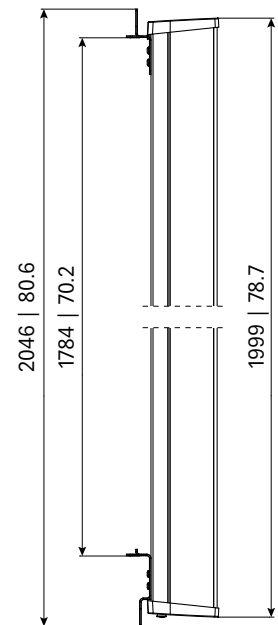
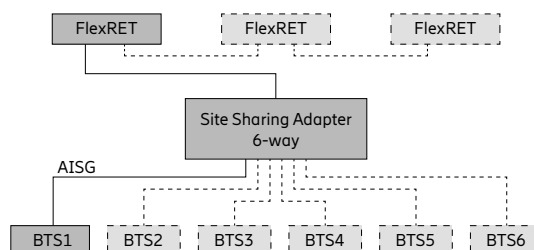
## Grounding:

The metal parts of the antenna including the mounting kit and the inner conductors are DC grounded.

## Configuration example with Site Sharing Adapter 86010154



## Configuration example with Site Sharing Adapter 86010155

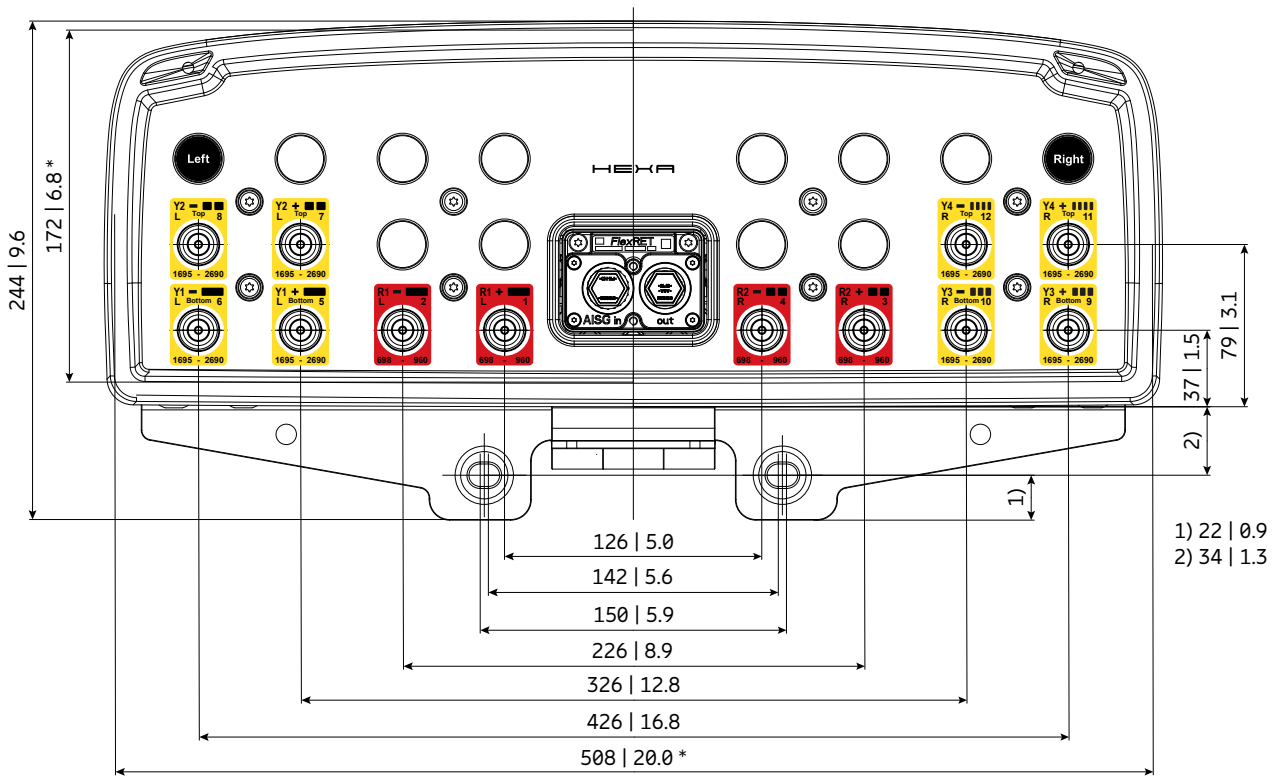


- 1) 22 | 0.9
- 2) 150 | 5.9
- 3) 142 | 5.6
- 4) 11 | 0.4

All dimensions in mm | inches

For more information please refer to the respective data sheets.

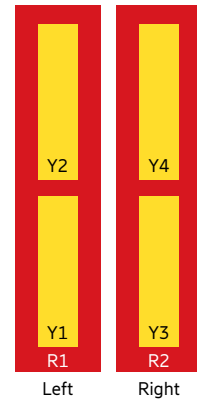
### Layout of interface



### Correlation Table

| Frequency range | Array | Connector / Ports |
|-----------------|-------|-------------------|
| 698–960 MHz     | R1    | 1–2               |
| 698–960 MHz     | R2    | 3–4               |
| 1695–2690 MHz   | Y1    | 5–6               |
| 1695–2690 MHz   | Y2    | 7–8               |
| 1695–2690 MHz   | Y3    | 9–10              |
| 1695–2690 MHz   | Y4    | 11–12             |





# Antenna 4207 2L 4M 2.0m

KRE 101 2567/1

Capacity

Compact

Coverage

65° | 2x 698–960 MHz | 15.0 dBi  
65° | 4x 1695–2690 MHz | 16.0 dBi  
Electrical downtilt set by integrated RET



[ericsson.com/antenna-system](https://ericsson.com/antenna-system)



Scan or [click](#)

2LB nMB



| Left side, lowband                          |     | R1, connector 1–2                  |            |            |            |
|---|-----|------------------------------------|------------|------------|------------|
| Frequency Range                             | MHz | 698 – 806                          | 791 – 862  | 824 – 894  | 880 – 960  |
| Gain at mid Tilt                            | dBi | 14.4                               | 14.8       | 15.0       | 15.1       |
| Gain over all Tilts                         | dBi | 14.3 ± 0.4                         | 14.8 ± 0.4 | 15.0 ± 0.3 | 15.1 ± 0.3 |
| <b>Horizontal Pattern:</b>                  |     |                                    |            |            |            |
| Azimuth Beamwidth                           | °   | 66 ± 4.5                           | 64 ± 2.8   | 62 ± 3.3   | 58 ± 3.8   |
| Front-to-Back Ratio, Total Power, ± 30°     | dB  | > 21                               | > 23       | > 21       | > 21       |
| <b>Vertical Pattern:</b>                    |     |                                    |            |            |            |
| Elevation Beamwidth                         | °   | 12.1 ± 0.9                         | 11.2 ± 0.6 | 10.8 ± 0.6 | 10.1 ± 0.6 |
| Electrical Downtilt continuously adjustable | °   | 2.0 – 12.0                         |            |            |            |
| Tilt Accuracy                               | °   | < 1.1                              | < 1.1      | < 1.0      | < 1.0      |
| First Upper Side Lobe Suppression           | dB  | > 16                               | > 16       | > 16       | > 16       |
| Cross Polar Isolation                       | dB  | > 25                               |            |            |            |
| Port to Port Isolation                      | dB  | > 27 (R1 // R2, Y1, Y2, Y3, Y4)    |            |            |            |
| Max. Effective Power per Port               | W   | 200 (at 40 °C ambient temperature) |            |            |            |

Values based on NGMN-P-BASTA (version 10.0) requirements.

| Right side, lowband                         |     | R2, connector 3–4                  |            |            |            |
|---|-----|------------------------------------|------------|------------|------------|
| Frequency Range                             | MHz | 698 – 806                          | 791 – 862  | 824 – 894  | 880 – 960  |
| Gain at mid Tilt                            | dBi | 14.4                               | 14.8       | 14.9       | 15.1       |
| Gain over all Tilts                         | dBi | 14.3 ± 0.4                         | 14.8 ± 0.3 | 14.9 ± 0.3 | 15.1 ± 0.3 |
| <b>Horizontal Pattern:</b>                  |     |                                    |            |            |            |
| Azimuth Beamwidth                           | °   | 67 ± 5.1                           | 64 ± 3.0   | 62 ± 2.3   | 59 ± 4.3   |
| Front-to-Back Ratio, Total Power, ± 30°     | dB  | > 22                               | > 21       | > 20       | > 21       |
| <b>Vertical Pattern:</b>                    |     |                                    |            |            |            |
| Elevation Beamwidth                         | °   | 12.1 ± 0.9                         | 11.2 ± 0.6 | 10.7 ± 0.5 | 10.0 ± 0.6 |
| Electrical Downtilt continuously adjustable | °   | 2.0 – 12.0                         |            |            |            |
| Tilt Accuracy                               | °   | < 1.2                              | < 1.1      | < 1.1      | < 1.0      |
| First Upper Side Lobe Suppression           | dB  | > 15                               | > 15       | > 15       | > 16       |
| Cross Polar Isolation                       | dB  | > 25                               |            |            |            |
| Port to Port Isolation                      | dB  | > 27 (R2 // R1, Y1, Y2, Y3, Y4)    |            |            |            |
| Max. Effective Power per Port               | W   | 200 (at 40 °C ambient temperature) |            |            |            |

Values based on NGMN-P-BASTA (version 10.0) requirements.

## Left side, midband, bottom

## Y1, connector 5–6

| Frequency Range                             | MHz | 1695 – 1880                        | 1850 – 1990 | 1920 – 2170 | 2300 – 2400 | 2490 – 2690 |
|---|-----|------------------------------------|-------------|-------------|-------------|-------------|
| Gain at mid Tilt                            | dBi | 15.6                               | 15.8        | 15.9        | 15.9        | 16.0        |
| Gain over all Tilts                         | dBi | 15.5 ± 0.6                         | 15.8 ± 0.6  | 15.9 ± 0.6  | 15.9 ± 0.6  | 15.9 ± 0.7  |
| <b>Horizontal Pattern:</b>                  |     |                                    |             |             |             |             |
| Azimuth Beamwidth                           | °   | 68 ± 3.1                           | 67 ± 4.5    | 68 ± 7.2    | 62 ± 4.6    | 62 ± 6.3    |
| Front-to-Back Ratio, Total Power, ± 30°     | dB  | > 22                               | > 22        | > 23        | > 22        | > 21        |
| <b>Vertical Pattern:</b>                    |     |                                    |             |             |             |             |
| Elevation Beamwidth                         | °   | 9.6 ± 0.6                          | 9.1 ± 0.4   | 8.5 ± 0.7   | 7.4 ± 0.4   | 7.0 ± 0.4   |
| Electrical Downtilt continuously adjustable | °   | 2.0 – 12.0                         |             |             |             |             |
| Tilt Accuracy                               | °   | < 0.6                              | < 0.6       | < 0.6       | < 0.4       | < 0.7       |
| First Upper Side Lobe Suppression           | dB  | > 15                               | > 14        | > 14        | > 13        | > 14        |
| Cross Polar Isolation                       | dB  | > 25                               |             |             |             |             |
| Port to Port Isolation                      | dB  | > 27 (Y1 // R1, R2, Y2, Y3, Y4)    |             |             |             |             |
| Max. Effective Power per Port               | W   | 175 (at 40 °C ambient temperature) |             |             |             |             |

Values based on NGMN-P-BASTA (version 10.0) requirements.

## Left side, midband, top

## Y2, connector 7–8

| Frequency Range                             | MHz | 1695 – 1880                        | 1850 – 1990 | 1920 – 2170 | 2300 – 2400 | 2490 – 2690 |
|---|-----|------------------------------------|-------------|-------------|-------------|-------------|
| Gain at mid Tilt                            | dBi | 15.1                               | 15.4        | 15.5        | 15.4        | 15.7        |
| Gain over all Tilts                         | dBi | 15.1 ± 0.4                         | 15.4 ± 0.6  | 15.5 ± 0.6  | 15.4 ± 0.5  | 15.7 ± 0.8  |
| <b>Horizontal Pattern:</b>                  |     |                                    |             |             |             |             |
| Azimuth Beamwidth                           | °   | 69 ± 5.2                           | 68 ± 4.9    | 68 ± 4.2    | 64 ± 4.5    | 62 ± 6.3    |
| Front-to-Back Ratio, Total Power, ± 30°     | dB  | > 22                               | > 23        | > 23        | > 21        | > 22        |
| <b>Vertical Pattern:</b>                    |     |                                    |             |             |             |             |
| Elevation Beamwidth                         | °   | 10.0 ± 0.6                         | 9.4 ± 0.5   | 8.8 ± 0.7   | 7.5 ± 0.3   | 6.8 ± 0.6   |
| Electrical Downtilt continuously adjustable | °   | 2.0 – 12.0                         |             |             |             |             |
| Tilt Accuracy                               | °   | < 0.9                              | < 0.8       | < 0.8       | < 0.5       | < 0.7       |
| First Upper Side Lobe Suppression           | dB  | > 13                               | > 12        | > 12        | > 12        | > 12        |
| Cross Polar Isolation                       | dB  | > 25                               |             |             |             |             |
| Port to Port Isolation                      | dB  | > 27 (Y2 // R1, R2, Y1, Y3, Y4)    |             |             |             |             |
| Max. Effective Power per Port               | W   | 175 (at 40 °C ambient temperature) |             |             |             |             |

Values based on NGMN-P-BASTA (version 10.0) requirements.

## Right side, midband, bottom

## Y3, connector 9–10

| Frequency Range                             | MHz | 1695 – 1880                        | 1850 – 1990 | 1920 – 2170 | 2300 – 2400 | 2490 – 2690 |
|---|-----|------------------------------------|-------------|-------------|-------------|-------------|
| Gain at mid Tilt                            | dBi | 15.5                               | 15.7        | 15.8        | 15.9        | 16.1        |
| Gain over all Tilts                         | dBi | 15.5 ± 0.6                         | 15.7 ± 0.6  | 15.8 ± 0.6  | 15.9 ± 0.5  | 16.0 ± 0.7  |
| <b>Horizontal Pattern:</b>                  |     |                                    |             |             |             |             |
| Azimuth Beamwidth                           | °   | 70 ± 3.8                           | 68 ± 3.9    | 68 ± 4.8    | 62 ± 5.8    | 61 ± 6.6    |
| Front-to-Back Ratio, Total Power, ± 30°     | dB  | > 21                               | > 22        | > 23        | > 22        | > 22        |
| <b>Vertical Pattern:</b>                    |     |                                    |             |             |             |             |
| Elevation Beamwidth                         | °   | 9.6 ± 0.6                          | 9.0 ± 0.4   | 8.5 ± 0.7   | 7.5 ± 0.3   | 7.0 ± 0.4   |
| Electrical Downtilt continuously adjustable | °   | 2.0 – 12.0                         |             |             |             |             |
| Tilt Accuracy                               | °   | < 0.4                              | < 0.5       | < 0.5       | < 0.4       | < 0.6       |
| First Upper Side Lobe Suppression           | dB  | > 14                               | > 14        | > 14        | > 13        | > 14        |
| Cross Polar Isolation                       | dB  | > 25                               |             |             |             |             |
| Port to Port Isolation                      | dB  | > 27 (Y3 // R1, R2, Y1, Y2, Y4)    |             |             |             |             |
| Max. Effective Power per Port               | W   | 175 (at 40 °C ambient temperature) |             |             |             |             |

Values based on NGMN-P-BASTA (version 10.0) requirements.

## Right side, midband, top

## Y4, connector 11–12

| Frequency Range                             | MHz | 1695 – 1880                        | 1850 – 1990 | 1920 – 2170 | 2300 – 2400 | 2490 – 2690 |
|---|-----|------------------------------------|-------------|-------------|-------------|-------------|
| Gain at mid Tilt                            | dBi | 15.1                               | 15.4        | 15.5        | 15.6        | 15.8        |
| Gain over all Tilts                         | dBi | 15.1 ± 0.4                         | 15.4 ± 0.6  | 15.5 ± 0.6  | 15.5 ± 0.5  | 15.7 ± 0.8  |
| <b>Horizontal Pattern:</b>                  |     |                                    |             |             |             |             |
| Azimuth Beamwidth                           | °   | 70 ± 4.1                           | 69 ± 4.8    | 68 ± 4.6    | 63 ± 5.6    | 61 ± 7.2    |
| Front-to-Back Ratio, Total Power, ± 30°     | dB  | > 21                               | > 22        | > 23        | > 21        | > 22        |
| <b>Vertical Pattern:</b>                    |     |                                    |             |             |             |             |
| Elevation Beamwidth                         | °   | 10.0 ± 0.6                         | 9.4 ± 0.5   | 8.8 ± 0.8   | 7.6 ± 0.3   | 6.9 ± 0.7   |
| Electrical Downtilt continuously adjustable | °   | 2.0 – 12.0                         |             |             |             |             |
| Tilt Accuracy                               | °   | < 0.6                              | < 0.6       | < 0.6       | < 0.4       | < 0.5       |
| First Upper Side Lobe Suppression           | dB  | > 13                               | > 12        | > 12        | > 11        | > 12        |
| Cross Polar Isolation                       | dB  | > 25                               |             |             |             |             |
| Port to Port Isolation                      | dB  | > 27 (Y4 // R1, R2, Y1, Y2, Y3)    |             |             |             |             |
| Max. Effective Power per Port               | W   | 175 (at 40 °C ambient temperature) |             |             |             |             |

Values based on NGMN-P-BASTA (version 10.0) requirements.

## Electrical specifications, all ports

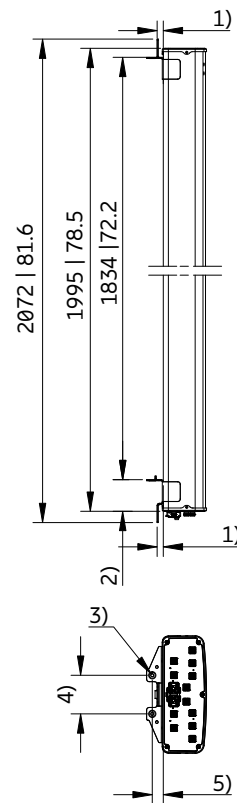
|                                      |          |                                     |
|--------------------------------------|----------|-------------------------------------|
| Impedance                            | $\Omega$ | 50                                  |
| VSWR                                 |          | < 1.5                               |
| Return Loss                          | dB       | > 14                                |
| Interband Isolation                  | dB       | > 27                                |
| Passive Intermodulation              | dBc      | < -153 (2 x 43 dBm carrier)         |
| Polarization                         | °        | -45, +45                            |
| Max. Effective Power for the Antenna | W        | 1000 (at 40° C ambient temperature) |

Values based on NGMN-P-BASTA (version 10.0) requirements.

## Mechanical specifications

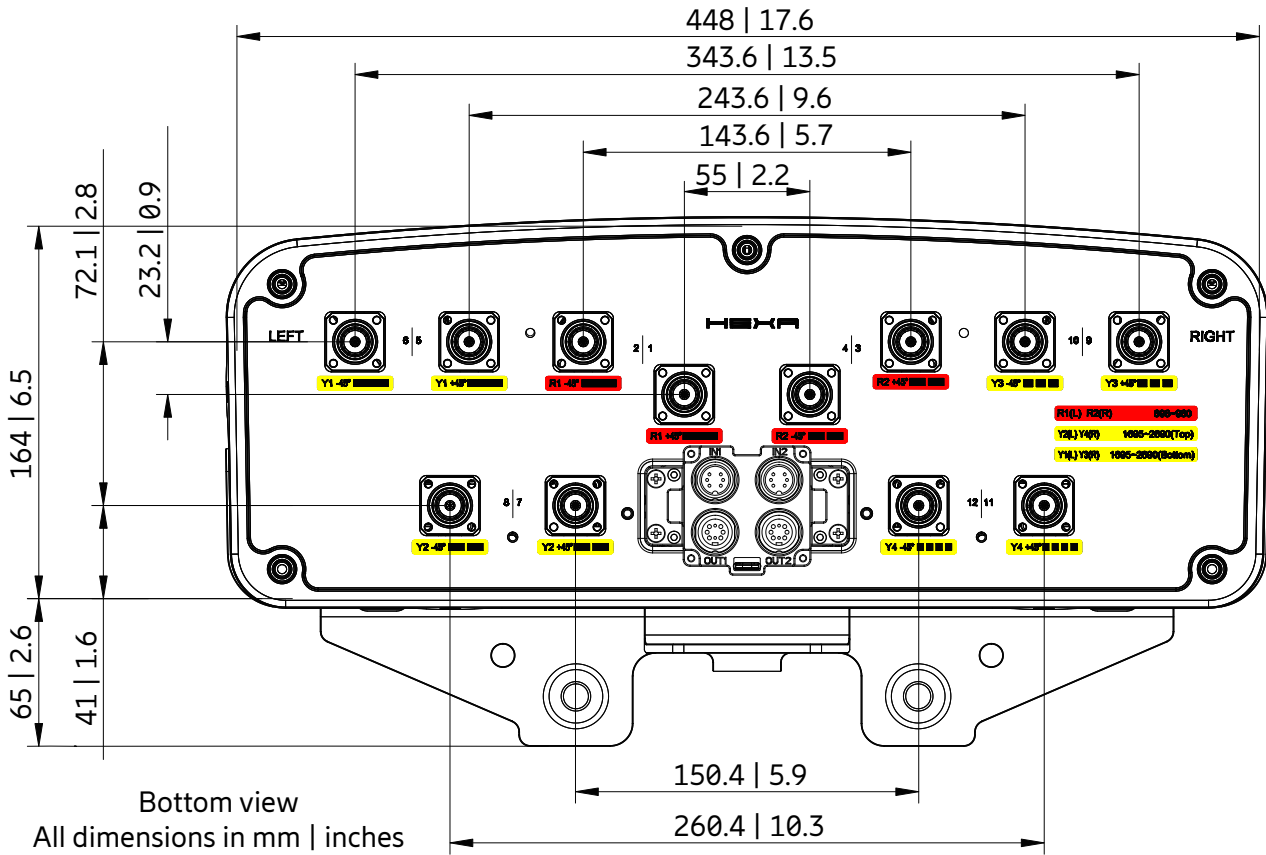
|   |  |  |
|---|--|--|
| Input                                     | 12 x 4.3-10 female   |  |
| Connector Position                        | bottom   |  |
| Adjustment Mechanism                      | Integrated RET, continuously adjustable                                  |  |
| Wind load (at Rated Wind Speed: 150 km/h) | N   lbf  | Frontal: 1155   260<br>Maximal: 1270   286               |
| Max. Wind Velocity                        | km/h<br>mph  | 241<br>150   |
| Height / Width / Depth                    | mm<br>inches   | 1995 / 448 / 171<br>78.5 / 17.6 / 6.7                    |
| Category of Mounting Hardware             | XH (X-Heavy)   |  |
| Weight (approx.)                          | kg<br>lb   | 39.3 / 44.3 (clamps incl.)<br>86.6 / 97.6 (clamps incl.) |
| Packing Size                              | mm<br>inches   | 2220 / 467 / 255<br>87.4 / 18.4 / 10.0                   |
| Scope of Supply                           | Panel, integrated RET and clamps for 55–115 mm   2.2–4.5 inches diameter |  |

- Material:** **Reflector screen and dipoles:** Aluminum.  
**Fiberglass housing:** It covers totally the internal antenna components. The special design reduces the sealing areas to a minimum and guarantees the best weather protection. Fiberglass material guarantees optimum performance with regards to stability, stiffness, UV resistance and painting. The color of the radome is light grey.  
**All nuts and bolts:** Stainless steel or hot-dip galvanized steel.
- Grounding:** The metal parts of the antenna including the mounting kit and the inner conductors are DC grounded.



- 1) 24 | 1.0  
2) 123 | 4.8  
3)  $\varnothing$ 11 | 0.4  
4) 150 | 5.9  
5) 43 | 1.7  
All dimensions  
in mm | inches

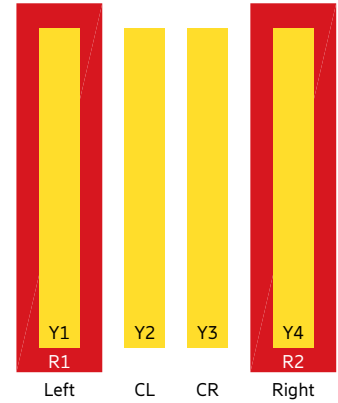
### Layout of interface



### Correlation Table

| Frequency range | Array | Connector / Ports |
|-----------------|-------|-------------------|
| 698–960 MHz     | R1    | 1–2               |
| 698–960 MHz     | R2    | 3–4               |
| 1695–2690 MHz   | Y1    | 5–6               |
| 1695–2690 MHz   | Y2    | 7–8               |
| 1695–2690 MHz   | Y3    | 9–10              |
| 1695–2690 MHz   | Y4    | 11–12             |





2LB nMB

# Antenna 4800 2L 4M 1.5m

800482001

Capacity

Compact

Coverage

65° | 2x 698–960 MHz | 14.6 dBi  
65° | 2x 1427–2690 MHz | 17.8 dBi  
65° | 2x 1695–2690 MHz | 17.2 dBi  
FlexRET



[ericsson.com/antenna-system](https://ericsson.com/antenna-system)



Scan or [click](#)

| Left side, lowband                          |     | R1, connector 1 – 2                |            |            |            |
|---|-----|------------------------------------|------------|------------|------------|
| Frequency Range                             | MHz | 698 – 806                          | 791 – 862  | 824 – 894  | 880 – 960  |
| Gain at mid Tilt                            | dBi | 13.8                               | 14.2       | 14.4       | 14.6       |
| Gain over all Tilts                         | dBi | 13.8 ± 0.4                         | 14.1 ± 0.3 | 14.4 ± 0.4 | 14.6 ± 0.3 |
| <b>Horizontal Pattern:</b>                  |     |                                    |            |            |            |
| Azimuth Beamwidth                           | °   | 59 ± 6.3                           | 56 ± 3.1   | 53 ± 5.5   | 50 ± 4.9   |
| Front-to-Back Ratio, Total Power, ± 30°     | dB  | > 20                               | > 19       | > 20       | > 22       |
| <b>Vertical Pattern:</b>                    |     |                                    |            |            |            |
| Elevation Beamwidth                         | °   | 16.1 ± 1.1                         | 15.1 ± 0.9 | 14.6 ± 0.7 | 13.6 ± 1.2 |
| Electrical Downtilt continuously adjustable | °   | 2.0 – 12.0                         |            |            |            |
| Tilt Accuracy                               | °   | < 0.5                              | < 0.5      | < 0.6      | < 0.9      |
| First Upper Side Lobe Suppression           | dB  | > 15                               | > 16       | > 17       | > 16       |
| Cross Polar Isolation                       | dB  | > 25                               |            |            |            |
| Port to Port Isolation                      | dB  | > 25 (R1 // R2, Y1, Y2, Y3, Y4)    |            |            |            |
| Max. Effective Power per Port               | W   | 300 (at 50 °C ambient temperature) |            |            |            |

Values based on NGMN-P-BASTA (version 10.0) requirements.

| Right side, lowband                         |     | R2, connector 3 – 4                |            |            |            |
|---|-----|------------------------------------|------------|------------|------------|
| Frequency Range                             | MHz | 698 – 806                          | 791 – 862  | 824 – 894  | 880 – 960  |
| Gain at mid Tilt                            | dBi | 13.8                               | 14.1       | 14.4       | 14.8       |
| Gain over all Tilts                         | dBi | 13.8 ± 0.3                         | 14.1 ± 0.3 | 14.3 ± 0.3 | 14.7 ± 0.4 |
| <b>Horizontal Pattern:</b>                  |     |                                    |            |            |            |
| Azimuth Beamwidth                           | °   | 60 ± 5.7                           | 56 ± 4.1   | 54 ± 5.8   | 50 ± 6.4   |
| Front-to-Back Ratio, Total Power, ± 30°     | dB  | > 20                               | > 20       | > 20       | > 21       |
| <b>Vertical Pattern:</b>                    |     |                                    |            |            |            |
| Elevation Beamwidth                         | °   | 16.1 ± 0.8                         | 15.1 ± 0.8 | 14.6 ± 0.6 | 13.6 ± 0.9 |
| Electrical Downtilt continuously adjustable | °   | 2.0 – 12.0                         |            |            |            |
| Tilt Accuracy                               | °   | < 0.6                              | < 0.6      | < 0.6      | < 0.7      |
| First Upper Side Lobe Suppression           | dB  | > 16                               | > 17       | > 17       | > 17       |
| Cross Polar Isolation                       | dB  | > 25                               |            |            |            |
| Port to Port Isolation                      | dB  | > 25 (R2 // R1, Y1, Y2, Y3, Y4)    |            |            |            |
| Max. Effective Power per Port               | W   | 300 (at 50 °C ambient temperature) |            |            |            |

Values based on NGMN-P-BASTA (version 10.0) requirements.

| Left side, midband                          |     | Y1, connector 5–6                  |             |             |             |             |             |
|---|-----|------------------------------------|-------------|-------------|-------------|-------------|-------------|
| Frequency Range                             | MHz | 1427 – 1518                        | 1695 – 1880 | 1850 – 1990 | 1920 – 2180 | 2300 – 2400 | 2490 – 2690 |
| Gain at mid Tilt                            | dBi | 15.9                               | 17.0        | 17.2        | 17.4        | 17.5        | 17.8        |
| Gain over all Tilts                         | dBi | 15.9 ± 0.6                         | 17.0 ± 0.6  | 17.2 ± 0.6  | 17.3 ± 0.7  | 17.5 ± 0.8  | 17.8 ± 0.8  |
| <b>Horizontal Pattern:</b>                  |     |                                    |             |             |             |             |             |
| Azimuth Beamwidth                           | °   | 73 ± 3.9                           | 67 ± 4.1    | 63 ± 4.8    | 61 ± 4.8    | 60 ± 4.0    | 55 ± 3.9    |
| Front-to-Back Ratio, Total Power, ± 30°     | dB  | > 30                               | > 29        | > 28        | > 29        | > 29        | > 28        |
| <b>Vertical Pattern:</b>                    |     |                                    |             |             |             |             |             |
| Elevation Beamwidth                         | °   | 8.4 ± 0.5                          | 7.0 ± 0.5   | 6.5 ± 0.4   | 6.2 ± 0.4   | 5.6 ± 0.3   | 5.2 ± 0.2   |
| Electrical Downtilt continuously adjustable | °   | 2.0 – 12.0                         |             |             |             |             |             |
| Tilt Accuracy                               | °   | < 0.3                              | < 0.3       | < 0.3       | < 0.3       | < 0.2       | < 0.2       |
| First Upper Side Lobe Suppression           | dB  | > 17                               | > 19        | > 17        | > 16        | > 17        | > 19        |
| Cross Polar Isolation                       | dB  | > 25                               |             |             |             |             |             |
| Port to Port Isolation                      | dB  | > 25 (Y1 // R1, R2, Y2, Y3, Y4)    |             |             |             |             |             |
| Max. Effective Power per Port               | W   | 200 (at 50 °C ambient temperature) |             |             |             |             |             |

Values based on NGMN-P-BASTA (version 10.0) requirements.

| Left side, center midband                   |     | Y2, connector 7–8                  |             |             |             |             |
|---|-----|------------------------------------|-------------|-------------|-------------|-------------|
| Frequency Range                             | MHz | 1695 – 1880                        | 1850 – 1990 | 1920 – 2180 | 2300 – 2400 | 2490 – 2690 |
| Gain at mid Tilt                            | dBi | 17.0                               | 17.0        | 17.1        | 17.2        | 17.4        |
| Gain over all Tilts                         | dBi | 16.9 ± 0.7                         | 17.0 ± 0.7  | 17.0 ± 0.8  | 17.2 ± 0.7  | 17.4 ± 0.8  |
| <b>Horizontal Pattern:</b>                  |     |                                    |             |             |             |             |
| Azimuth Beamwidth                           | °   | 61 ± 7.9                           | 60 ± 6.5    | 63 ± 6.7    | 65 ± 4.6    | 60 ± 4.3    |
| Front-to-Back Ratio, Total Power, ± 30°     | dB  | > 29                               | > 27        | > 28        | > 30        | > 29        |
| <b>Vertical Pattern:</b>                    |     |                                    |             |             |             |             |
| Elevation Beamwidth                         | °   | 7.2 ± 0.6                          | 6.7 ± 0.3   | 6.4 ± 0.4   | 5.9 ± 0.2   | 5.7 ± 0.3   |
| Electrical Downtilt continuously adjustable | °   | 2.0 – 12.0                         |             |             |             |             |
| Tilt Accuracy                               | °   | < 0.4                              | < 0.3       | < 0.3       | < 0.2       | < 0.3       |
| First Upper Side Lobe Suppression           | dB  | > 16                               | > 17        | > 19        | > 19        | > 20        |
| Cross Polar Isolation                       | dB  | > 25                               |             |             |             |             |
| Port to Port Isolation                      | dB  | > 25 (Y2 // R1, R2, Y1, Y3, Y4)    |             |             |             |             |
| Max. Effective Power per Port               | W   | 200 (at 50 °C ambient temperature) |             |             |             |             |

Values based on NGMN-P-BASTA (version 10.0) requirements.



## Right side, center midband

## Y3, connector 9 – 10

| Frequency Range                             | MHz | 1695 – 1880                        | 1850 – 1990 | 1920 – 2180 | 2300 – 2400 | 2490 – 2690 |
|---|-----|------------------------------------|-------------|-------------|-------------|-------------|
| Gain at mid Tilt                            | dBi | 16.9                               | 17.1        | 17.0        | 17.2        | 17.2        |
| Gain over all Tilts                         | dBi | 16.9 ± 0.8                         | 17.0 ± 0.7  | 17.0 ± 0.7  | 17.1 ± 0.6  | 17.2 ± 0.8  |
| <b>Horizontal Pattern:</b>                  |     |                                    |             |             |             |             |
| Azimuth Beamwidth                           | °   | 61 ± 9.2                           | 60 ± 8.4    | 64 ± 8.9    | 64 ± 4.1    | 62 ± 4.6    |
| Front-to-Back Ratio, Total Power, ± 30°     | dB  | > 28                               | > 28        | > 28        | > 28        | > 29        |
| <b>Vertical Pattern:</b>                    |     |                                    |             |             |             |             |
| Elevation Beamwidth                         | °   | 7.4 ± 0.5                          | 6.8 ± 0.3   | 6.5 ± 0.4   | 6.0 ± 0.3   | 5.7 ± 0.4   |
| Electrical Downtilt continuously adjustable | °   | 2.0 – 12.0                         |             |             |             |             |
| Tilt Accuracy                               | °   | < 0.4                              | < 0.3       | < 0.3       | < 0.2       | < 0.3       |
| First Upper Side Lobe Suppression           | dB  | > 14                               | > 17        | > 18        | > 19        | > 20        |
| Cross Polar Isolation                       | dB  | > 25                               |             |             |             |             |
| Port to Port Isolation                      | dB  | > 25 (Y3 // R1, R2, Y1, Y2, Y4)    |             |             |             |             |
| Max. Effective Power per Port               | W   | 200 (at 50 °C ambient temperature) |             |             |             |             |

Values based on NGMN-P-BASTA (version 10.0) requirements.

## Right side, midband

## Y4, connector 11 – 12

| Frequency Range                             | MHz | 1427 – 1518                        | 1695 – 1880 | 1850 – 1990 | 1920 – 2180 | 2300 – 2400 | 2490 – 2690 |
|---|-----|------------------------------------|-------------|-------------|-------------|-------------|-------------|
| Gain at mid Tilt                            | dBi | 15.9                               | 17.0        | 17.2        | 17.4        | 17.5        | 17.8        |
| Gain over all Tilts                         | dBi | 15.9 ± 0.5                         | 17.0 ± 0.6  | 17.2 ± 0.6  | 17.4 ± 0.7  | 17.4 ± 0.7  | 17.8 ± 0.9  |
| <b>Horizontal Pattern:</b>                  |     |                                    |             |             |             |             |             |
| Azimuth Beamwidth                           | °   | 74 ± 6.1                           | 69 ± 3.5    | 66 ± 4.6    | 63 ± 5.8    | 63 ± 4.9    | 56 ± 4.4    |
| Front-to-Back Ratio, Total Power, ± 30°     | dB  | > 29                               | > 29        | > 29        | > 28        | > 29        | > 28        |
| <b>Vertical Pattern:</b>                    |     |                                    |             |             |             |             |             |
| Elevation Beamwidth                         | °   | 8.3 ± 0.5                          | 6.9 ± 0.5   | 6.5 ± 0.3   | 6.2 ± 0.5   | 5.6 ± 0.3   | 5.2 ± 0.2   |
| Electrical Downtilt continuously adjustable | °   | 2.0 – 12.0                         |             |             |             |             |             |
| Tilt Accuracy                               | °   | < 0.3                              | < 0.3       | < 0.4       | < 0.3       | < 0.2       | < 0.2       |
| First Upper Side Lobe Suppression           | dB  | > 16                               | > 17        | > 17        | > 16        | > 17        | > 19        |
| Cross Polar Isolation                       | dB  | > 25                               |             |             |             |             |             |
| Port to Port Isolation                      | dB  | > 25 (Y4 // R1, R2, Y1, Y2, Y3)    |             |             |             |             |             |
| Max. Effective Power per Port               | W   | 200 (at 50 °C ambient temperature) |             |             |             |             |             |

Values based on NGMN-P-BASTA (version 10.0) requirements.

## Electrical specifications, all ports

|                                      |          |                                     |
|--------------------------------------|----------|-------------------------------------|
| Impedance                            | $\Omega$ | 50                                  |
| VSWR                                 |          | < 1.5                               |
| Return Loss                          | dB       | > 14                                |
| Interband Isolation                  | dB       | > 25                                |
| Passive Intermodulation              | dBc      | < -153 (2 x 43 dBm carrier)*        |
| Polarization                         | °        | -45, +45                            |
| Max. Effective Power for the Antenna | W        | 1000 (at 50 °C ambient temperature) |

Values based on NGMN-P-BASTA (version 10.0) requirements.  
\* not applicable for L-band

## Mechanical specifications

|   |              |   |
|---|--------------|---|
| Input                                     |              | 12x 4.3-10 female   |
| Connector Position                        |              | bottom  |
| Adjustment Mechanism                      |              | FlexRET,<br>continuously adjustable                               |
| Wind load (at Rated Wind Speed: 150 km/h) | N   lbf      | Frontal: 670   151<br>Maximal: 760   171                          |
| Max. Wind Velocity                        | km/h<br>mph  | 241<br>150  |
| Height / Width / Depth                    | mm<br>inches | 1499 / 488 / 164<br>59.0 / 19.2 / 6.5                             |
| Category of Mounting Hardware             |              | XM (X-Medium)   |
| Weight                                    | kg<br>lb     | 39.0 / 43.5 (clamps incl.)<br>86.0 / 95.9 (clamps incl.)          |
| Packing Size                              | mm<br>inches | 1650 / 550 / 293<br>65.0 / 21.7 / 11.5                            |
| Scope of Supply                           |              | Panel, FlexRET and clamps for 55–115 mm   2.2–4.5 inches diameter |

## Accessories (order separately if required)

| Product No.   | Description          | Remarks<br>mm   inches  | Units per antenna |
|---------------|----------------------|---|-------------------|
| 85010097      | 2 clamps             | Mast diameter: 110–220   4.3–8.7                                  | 1                 |
| 85010110      | 1 downtilt kit       | Downtilt angle: 0°–10°  | 1                 |
| 86010154      | Site Sharing Adapter | 3-way (see figure below)  |                   |
| 86010155      | Site Sharing Adapter | 6-way (see figure below)  |                   |
| 86010162      | Gender Adapter       | Solely to be used in combination with a compatible FlexRET module | 1                 |
| KRY 121 108/1 | Port Extender        |   | 1                 |

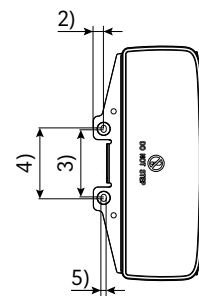
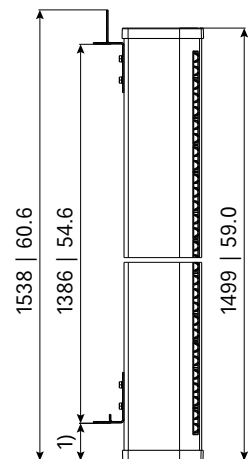
## Accessories (included in the scope of supply)

| Product No. | Description | Remarks<br>mm   inches                      | Units per antenna |
|-------------|-------------|---|-------------------|
| 85010111    | 2 clamps    | Mast diameter: 55–115   2.2–4.5             | 1                 |
| 86010165    | FlexRET     | Compliant to 3GPP / AISG 2.0 – AISG 3 ready | 1                 |

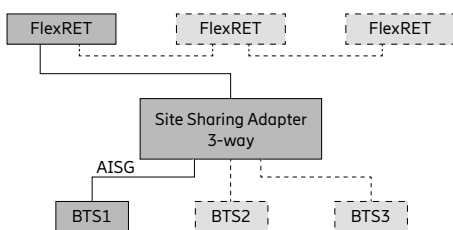
For downtilt mounting use the clamps for an appropriate mast diameter together with the downtilt kit.  
Wall mounting: No additional mounting kit needed.

**Material:** **Reflector screen:** Aluminum.  
**Fiberglass housing:** It covers totally the internal antenna components. The special design reduces the sealing areas to a minimum and guarantees the best weather protection. Fiberglass material guarantees optimum performance with regards to stability, stiffness, UV resistance and painting. The color of the radome is light grey.  
**All nuts and bolts:** Stainless steel or hot-dip galvanized steel.

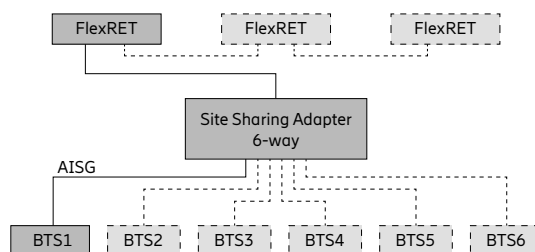
**Grounding:** The metal parts of the antenna including the mounting kit and the inner conductors are DC grounded.



## Configuration example with Site Sharing Adapter 86010154



## Configuration example with Site Sharing Adapter 86010155

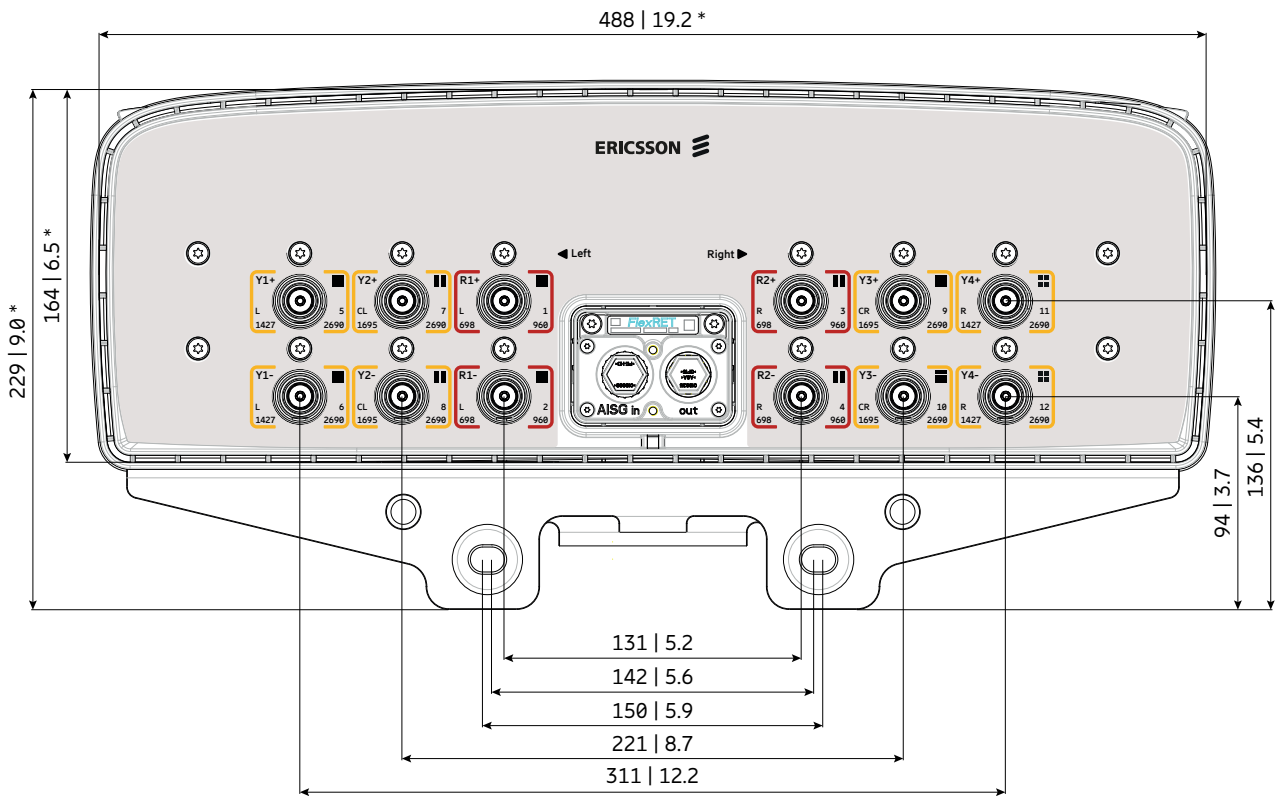


- 1) 79 | 3.1
- 2) 22 | 0.9
- 3) 142 | 5.6
- 4) 150 | 5.9
- 5)  $\varnothing$  11 | 0.4

All dimensions in mm | inches

For more information please refer to the respective data sheets.

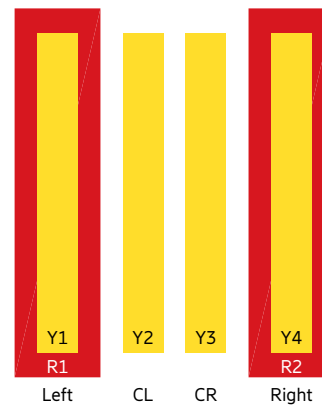
## Layout of interface

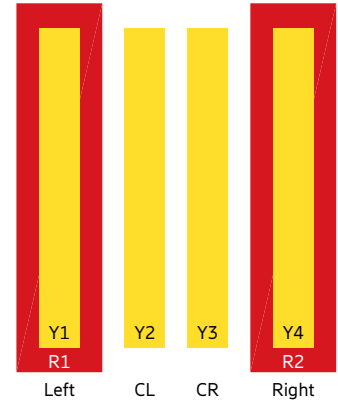


Bottom view  
\* Dimensions refer to radome  
All dimensions in mm | inches

## Correlation Table

| Frequency range | Array | Connector / Ports |
|-----------------|-------|-------------------|
| 698–960 MHz     | R1    | 1–2               |
| 698–960 MHz     | R2    | 3–4               |
| 1427–2690 MHz   | Y1    | 5–6               |
| 1695–2690 MHz   | Y2    | 7–8               |
| 1695–2690 MHz   | Y3    | 9–10              |
| 1427–2690 MHz   | Y4    | 11–12             |





2LB nMB

# Antenna 4800 2L 4M 2.0m

800482002

Capacity

Compact

Coverage

65° | 2x 698–960 MHz | 15.8 dBi  
65° | 2x 1427–2690 MHz | 17.8 dBi  
65° | 2x 1695–2690 MHz | 17.5 dBi  
FlexRET



[ericsson.com/antenna-system](https://ericsson.com/antenna-system)



Scan or [click](#)

| Left side, lowband                          |     | R1, connector 1 – 2                |            |            |            |
|---|-----|------------------------------------|------------|------------|------------|
| Frequency Range                             | MHz | 698 – 806                          | 791 – 862  | 824 – 894  | 880 – 960  |
| Gain at mid Tilt                            | dBi | 15.0                               | 15.5       | 15.7       | 15.9       |
| Gain over all Tilts                         | dBi | 15.0 ± 0.3                         | 15.5 ± 0.5 | 15.7 ± 0.3 | 15.8 ± 0.5 |
| <b>Horizontal Pattern:</b>                  |     |                                    |            |            |            |
| Azimuth Beamwidth                           | °   | 58 ± 5                             | 55 ± 4     | 53 ± 4     | 51 ± 5     |
| Front-to-Back Ratio, Total Power, ±30°      | dB  | > 19                               | > 19       | > 22       | > 24       |
| <b>Vertical Pattern:</b>                    |     |                                    |            |            |            |
| Elevation Beamwidth                         | °   | 11.8 ± 0.8                         | 10.9 ± 0.6 | 10.8 ± 0.7 | 10.0 ± 0.7 |
| Electrical Downtilt continuously adjustable | °   | 2.5 – 11.5                         |            |            |            |
| Tilt Accuracy                               | °   | < 0.7                              | < 0.5      | < 0.5      | < 0.7      |
| First Upper Side Lobe Suppression           | dB  | > 16                               | > 17       | > 17       | > 17       |
| Cross Polar Isolation                       | dB  | > 25                               |            |            |            |
| Port to Port Isolation                      | dB  | > 25 (R1 // R2, Y1, Y2, Y3, Y4)    |            |            |            |
| Max. Effective Power per Port               | W   | 400 (at 50 °C ambient temperature) |            |            |            |

Values based on NGMN-P-BASTA (version 10.0) requirements.

| Right side, lowband                         |     | R2, connector 3 – 4                |            |            |            |
|---|-----|------------------------------------|------------|------------|------------|
| Frequency Range                             | MHz | 698 – 806                          | 791 – 862  | 824 – 894  | 880 – 960  |
| Gain at mid Tilt                            | dBi | 15.0                               | 15.4       | 15.6       | 15.8       |
| Gain over all Tilts                         | dBi | 15.0 ± 0.5                         | 15.5 ± 0.6 | 15.6 ± 0.6 | 15.8 ± 0.4 |
| <b>Horizontal Pattern:</b>                  |     |                                    |            |            |            |
| Azimuth Beamwidth                           | °   | 58 ± 5                             | 56 ± 5     | 54 ± 6     | 50 ± 5     |
| Front-to-Back Ratio, Total Power, ±30°      | dB  | > 18                               | > 20       | > 22       | > 25       |
| <b>Vertical Pattern:</b>                    |     |                                    |            |            |            |
| Elevation Beamwidth                         | °   | 11.8 ± 0.8                         | 10.8 ± 0.6 | 10.7 ± 0.7 | 10.0 ± 0.6 |
| Electrical Downtilt continuously adjustable | °   | 2.5 – 11.5                         |            |            |            |
| Tilt Accuracy                               | °   | < 0.7                              | < 0.6      | < 0.6      | < 0.6      |
| First Upper Side Lobe Suppression           | dB  | > 16                               | > 16       | > 16       | > 17       |
| Cross Polar Isolation                       | dB  | >25                                |            |            |            |
| Port to Port Isolation                      | dB  | > 25 (R2 // R1, Y1, Y2, Y3)        |            |            |            |
| Max. Effective Power per Port               | W   | 400 (at 50 °C ambient temperature) |            |            |            |

Values based on NGMN-P-BASTA (version 10.0) requirements.

| Left side, midband                          |     | Y1, connector 5–6                  |             |             |             |             |             |
|---|-----|------------------------------------|-------------|-------------|-------------|-------------|-------------|
| Frequency Range                             | MHz | 1427 – 1518                        | 1695 – 1880 | 1850 – 1990 | 1920 – 2170 | 2300 – 2400 | 2500 – 2690 |
| Gain at mid Tilt                            | dBi | 16.7                               | 17.1        | 17.5        | 17.7        | 17.6        | 17.9        |
| Gain over all Tilts                         | dBi | 16.6 ± 0.7                         | 17.1 ± 0.6  | 17.4 ± 0.7  | 17.6 ± 0.7  | 17.6 ± 0.8  | 17.9 ± 0.9  |
| <b>Horizontal Pattern:</b>                  |     |                                    |             |             |             |             |             |
| Azimuth Beamwidth                           | °   | 65 ± 5                             | 69 ± 3      | 67 ± 4      | 64 ± 6      | 60 ± 6      | 56 ± 4      |
| Front-to-Back Ratio, Total Power, ±30°      | dB  | > 25                               | > 27        | > 27        | > 30        | > 26        | > 26        |
| <b>Vertical Pattern:</b>                    |     |                                    |             |             |             |             |             |
| Elevation Beamwidth                         | °   | 7.8 ± 0.4                          | 7.0 ± 0.4   | 6.5 ± 0.3   | 6.2 ± 0.5   | 5.5 ± 0.4   | 5.3 ± 0.3   |
| Electrical Downtilt continuously adjustable | °   | 2.0 – 12.0                         |             |             |             |             |             |
| Tilt Accuracy                               | °   | < 0.3                              | < 0.3       | < 0.3       | < 0.3       | < 0.2       | < 0.2       |
| First Upper Side Lobe Suppression           | dB  | > 16                               | > 19        | > 19        | > 20        | > 20        | > 19        |
| Cross Polar Isolation                       | dB  | > 25                               |             |             |             |             |             |
| Port to Port Isolation                      | dB  | > 25 (Y1 // R1, R2, Y2, Y3, Y4)    |             |             |             |             |             |
| Max. Effective Power per Port               | W   | 200 (at 50 °C ambient temperature) |             |             |             |             |             |

Values based on NGMN-P-BASTA (version 10.0) requirements.

| Left side, center midband                   |     | Y2, connector 7–8                  |             |             |             |             |
|---|-----|------------------------------------|-------------|-------------|-------------|-------------|
| Frequency Range                             | MHz | 1695 – 1880                        | 1850 – 1990 | 1920 – 2170 | 2300 – 2400 | 2500 – 2690 |
| Gain at mid Tilt                            | dBi | 16.4                               | 16.7        | 16.7        | 17.0        | 17.6        |
| Gain over all Tilts                         | dBi | 16.4 ± 0.7                         | 16.7 ± 0.5  | 16.6 ± 0.7  | 16.9 ± 0.8  | 17.5 ± 0.9  |
| <b>Horizontal Pattern:</b>                  |     |                                    |             |             |             |             |
| Azimuth Beamwidth                           | °   | 64 ± 13                            | 64 ± 10     | 64 ± 8      | 66 ± 5      | 63 ± 9      |
| Front-to-Back Ratio, Total Power, ±30°      | dB  | > 24                               | > 24        | > 24        | > 25        | > 30        |
| <b>Vertical Pattern:</b>                    |     |                                    |             |             |             |             |
| Elevation Beamwidth                         | °   | 7.3 ± 0.5                          | 6.7 ± 0.5   | 6.5 ± 0.4   | 5.9 ± 0.4   | 5.6 ± 0.3   |
| Electrical Downtilt continuously adjustable | °   | 2.0 – 12.0                         |             |             |             |             |
| Tilt Accuracy                               | °   | < 0.4                              | < 0.4       | < 0.4       | < 0.3       | < 0.4       |
| First Upper Side Lobe Suppression           | dB  | > 18                               | > 17        | > 17        | > 17        | > 18        |
| Cross Polar Isolation                       | dB  | > 25                               |             |             |             |             |
| Port to Port Isolation                      | dB  | > 25 (Y2 // R1, R2, Y1, Y3, Y4)    |             |             |             |             |
| Max. Effective Power per Port               | W   | 200 (at 50 °C ambient temperature) |             |             |             |             |

Values based on NGMN-P-BASTA (version 10.0) requirements.

## Right side, center midband

## Y3, connector 9 – 10

| Frequency Range                             | MHz | 1695 – 1880                        | 1850 – 1990 | 1920 – 2170 | 2300 – 2400 | 2500 – 2690 |
|---|-----|------------------------------------|-------------|-------------|-------------|-------------|
| Gain at mid Tilt                            | dBi | 16.5                               | 16.7        | 16.8        | 17.4        | 17.5        |
| Gain over all Tilts                         | dBi | 16.5 ± 0.5                         | 16.6 ± 0.8  | 16.7 ± 0.9  | 17.2 ± 0.7  | 17.5 ± 0.7  |
| <b>Horizontal Pattern:</b>                  |     |                                    |             |             |             |             |
| Azimuth Beamwidth                           | °   | 67 ± 13                            | 69 ± 9      | 70 ± 9      | 62 ± 7      | 60 ± 8      |
| Front-to-Back Ratio, Total Power, ±30°      | dB  | > 23                               | > 24        | > 25        | > 27        | > 29        |
| <b>Vertical Pattern:</b>                    |     |                                    |             |             |             |             |
| Elevation Beamwidth                         | °   | 7.3 ± 0.6                          | 6.8 ± 0.4   | 6.5 ± 0.6   | 5.9 ± 0.4   | 5.5 ± 0.3   |
| Electrical Downtilt continuously adjustable | °   | 2.0 – 12.0                         |             |             |             |             |
| Tilt Accuracy                               | °   | < 0.4                              | < 0.4       | < 0.5       | < 0.5       | < 0.5       |
| First Upper Side Lobe Suppression           | dB  | > 17                               | > 17        | > 18        | > 19        | > 21        |
| Cross Polar Isolation                       | dB  | > 25                               |             |             |             |             |
| Port to Port Isolation                      | dB  | > 25 (Y3 // R1, R2, Y1, Y2, Y4)    |             |             |             |             |
| Max. Effective Power per Port               | W   | 200 (at 50 °C ambient temperature) |             |             |             |             |

Values based on NGMN-P-BASTA (version 10.0) requirements.

## Right side, midband

## Y4, connector 11 – 12

| Frequency Range                             | MHz | 1427 – 1518                        | 1695 – 1880 | 1850 – 1990 | 1920 – 2170 | 2300 – 2400 | 2500 – 2690 |
|---|-----|------------------------------------|-------------|-------------|-------------|-------------|-------------|
| Gain at mid Tilt                            | dBi | 16.6                               | 17.1        | 17.3        | 17.4        | 17.6        | 17.8        |
| Gain over all Tilts                         | dBi | 16.6 ± 0.6                         | 17.0 ± 0.6  | 17.2 ± 0.7  | 17.3 ± 0.7  | 17.6 ± 0.8  | 17.7 ± 0.8  |
| <b>Horizontal Pattern:</b>                  |     |                                    |             |             |             |             |             |
| Azimuth Beamwidth                           | °   | 65 ± 5                             | 70 ± 3      | 70 ± 3      | 67 ± 6      | 61 ± 4      | 58 ± 5      |
| Front-to-Back Ratio, Total Power, ±30°      | dB  | > 26                               | > 26        | > 28        | > 28        | > 28        | > 26        |
| <b>Vertical Pattern:</b>                    |     |                                    |             |             |             |             |             |
| Elevation Beamwidth                         | °   | 7.9 ± 0.4                          | 7.0 ± 0.4   | 6.5 ± 0.3   | 6.2 ± 0.4   | 5.6 ± 0.4   | 5.3 ± 0.4   |
| Electrical Downtilt continuously adjustable | °   | 2.0 – 12.0                         |             |             |             |             |             |
| Tilt Accuracy                               | °   | < 0.4                              | < 0.3       | < 0.3       | < 0.3       | < 0.3       | < 0.3       |
| First Upper Side Lobe Suppression           | dB  | > 15                               | > 19        | > 19        | > 19        | > 19        | > 19        |
| Cross Polar Isolation                       | dB  | > 25                               |             |             |             |             |             |
| Port to Port Isolation                      | dB  | > 25 (Y4 // R1, R2, Y1, Y2, Y3)    |             |             |             |             |             |
| Max. Effective Power per Port               | W   | 200 (at 50 °C ambient temperature) |             |             |             |             |             |

Values based on NGMN-P-BASTA (version 10.0) requirements.

## Electrical specifications, all ports

|                                      |          |                                     |
|--------------------------------------|----------|-------------------------------------|
| Impedance                            | $\Omega$ | 50                                  |
| VSWR                                 |          | < 1.5                               |
| Return Loss                          | dB       | > 14                                |
| Interband Isolation                  | dB       | > 25                                |
| Passive Intermodulation              | dBc      | < -153 (2 x 43 dBm carrier)*        |
| Polarization                         | °        | +45, -45                            |
| Max. Effective Power for the Antenna | W        | 1200 (at 50 °C ambient temperature) |

Values based on NGMN-P-BASTA (version 10.0) requirements.  
\* not applicable for L-band

## Mechanical specifications

|   |   |  |
|---|---|--|
| Input                                     | 12x 4.3-10 female   |  |
| Connector Position                        | bottom  |  |
| Adjustment Mechanism                      | FlexRET,<br>continuously adjustable                               |  |
| Wind load (at Rated Wind Speed: 150 km/h) | N   lbf   | Frontal: 900   202<br>Maximal: 1015   228                |
| Max. Wind Velocity                        | km/h<br>mph   | 241<br>150   |
| Height / Width / Depth                    | mm<br>inches  | 1978 / 488 / 164<br>77.9 / 19.2 / 6.5                    |
| Category of Mounting Hardware             | XM (X-Medium)   |  |
| Weight                                    | kg<br>lb  | 47 / 51.5 (clamps incl.)<br>103.6 / 112.4 (clamps incl.) |
| Packing Size                              | mm<br>inches  | 2125 / 550 / 293<br>83.7 / 21.7 / 11.5                   |
| Scope of Supply                           | Panel, FlexRET and clamps for 55–115 mm   2.2–4.5 inches diameter |  |

## Accessories (order separately if required)

| Product No.   | Description          | Remarks<br>mm   inches  | Units per antenna |
|---------------|----------------------|---|-------------------|
| 85010097      | 2 clamps             | Mast diameter: 110–220   4.3–8.7                                  | 1                 |
| 85010110      | 1 downtilt kit       | Downtilt angle: 0°–10°  | 1                 |
| 86010154      | Site Sharing Adapter | 3-way (see figure below)  |                   |
| 86010155      | Site Sharing Adapter | 6-way (see figure below)  |                   |
| 86010162      | Gender Adapter       | Solely to be used in combination with a compatible FlexRET module | 1                 |
| KRY 121 108/1 | Port Extender        |   | 1                 |

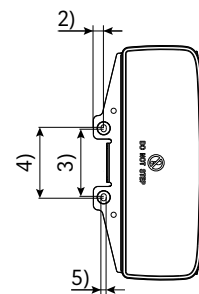
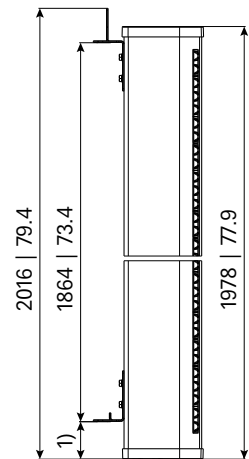
## Accessories (included in the scope of supply)

| Product No. | Description | Remarks<br>mm   inches                     | Units per antenna |
|-------------|-------------|--|-------------------|
| 85010111    | 2 clamps    | Mast diameter: 55–115   2.2–4.5            | 1                 |
| 86010165    | FlexRET     | Compliant to 3GPP / AISG 2.0– AISG 3 ready | 1                 |

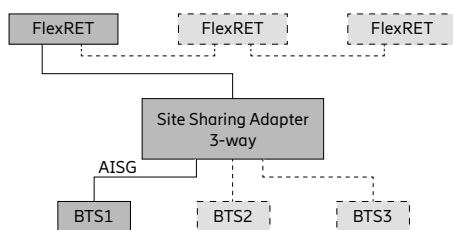
For downtilt mounting use the clamps for an appropriate mast diameter together with the downtilt kit.  
Wall mounting: No additional mounting kit needed.

**Material:** **Reflector screen:** Aluminum.  
**Fiberglass housing:** It covers totally the internal antenna components. The special design reduces the sealing areas to a minimum and guarantees the best weather protection. Fiberglass material guarantees optimum performance with regards to stability, stiffness, UV resistance and painting. The color of the radome is light grey.  
**All nuts and bolts:** Stainless steel or hot-dip galvanized steel.

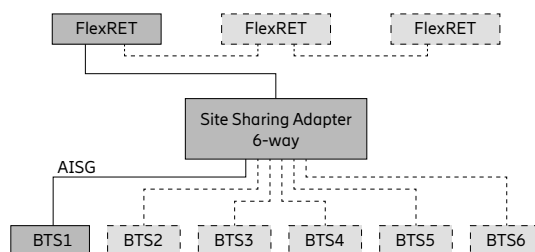
**Grounding:** The metal parts of the antenna including the mounting kit and the inner conductors are DC grounded.



## Configuration example with Site Sharing Adapter 86010154



## Configuration example with Site Sharing Adapter 86010155



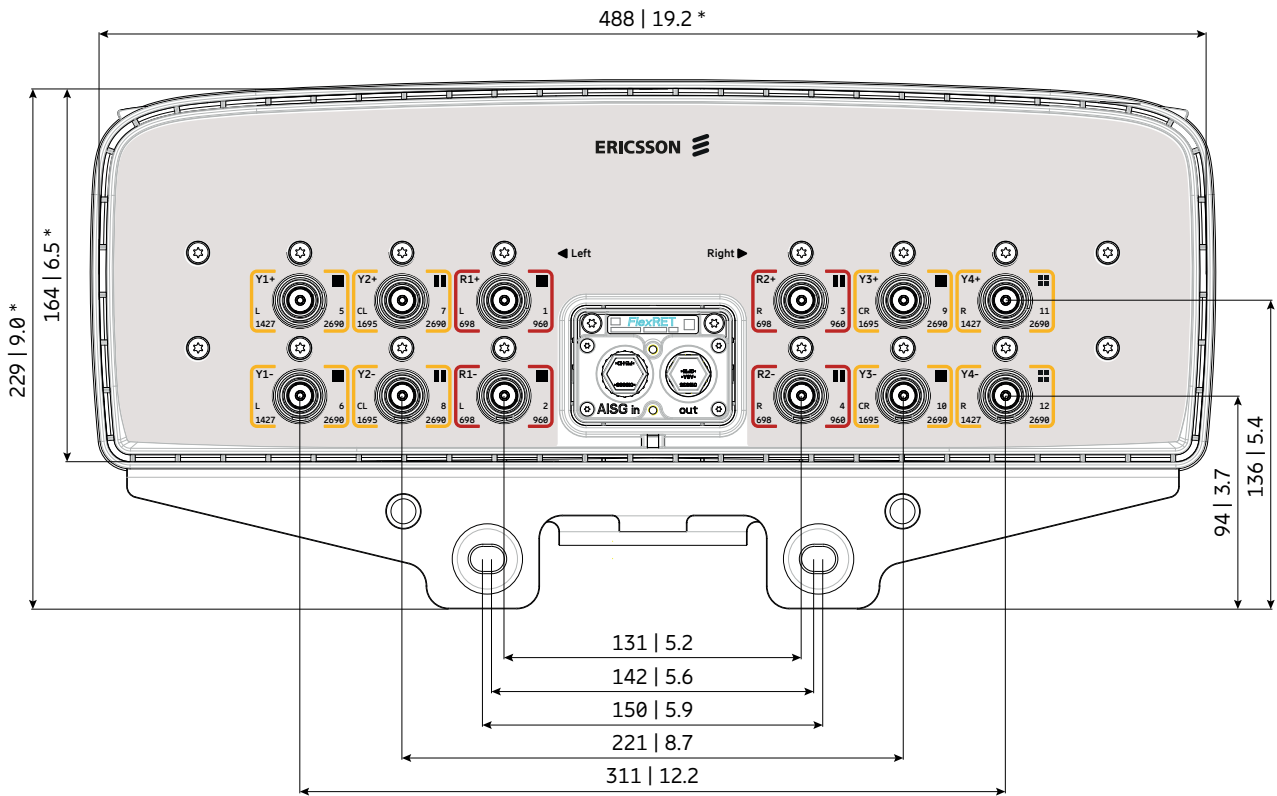
1) 79 | 3.1  
2) 22 | 0.9  
3) 142 | 5.6  
4) 150 | 5.9  
5) 11 | 0.4

All dimensions  
in mm | inches

For more information please refer to the respective data sheets.



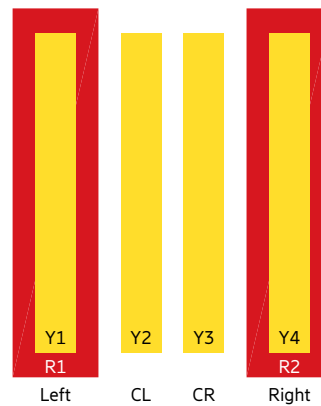
### Layout of interface



Bottom view  
 \* Dimensions refer to radome  
 All dimensions in mm | inches

### Correlation Table

| Frequency range | Array | Connector / Ports |
|-----------------|-------|-------------------|
| 698–960 MHz     | R1    | 1–2               |
| 698–960 MHz     | R2    | 3–4               |
| 1427–2690 MHz   | Y1    | 5–6               |
| 1695–2690 MHz   | Y2    | 7–8               |
| 1695–2690 MHz   | Y3    | 9–10              |
| 1427–2690 MHz   | Y4    | 11–12             |





# Antenna 4805 2L 4M 1.5m

KRE 101 2575/1

**Capacity**   Compact   Coverage

65° | 2x 698–960 MHz | 14.0 dBi  
65° | 4x 1695–2690 MHz | 17.0 dBi  
Electrical downtilt set by integrated RET



[ericsson.com/antenna-system](https://ericsson.com/antenna-system)



Scan or [click](#)

| Left side, lowband                          |     | R1, connector 1–2                  |            |            |            |
|---|-----|------------------------------------|------------|------------|------------|
| Frequency Range                             | MHz | 698 – 806                          | 791 – 862  | 824 – 894  | 880 – 960  |
| Gain at mid Tilt                            | dBi | 13.4                               | 13.8       | 13.8       | 13.9       |
| Gain over all Tilts                         | dBi | 13.4 ± 0.5                         | 13.9 ± 0.1 | 13.9 ± 0.2 | 13.9 ± 0.3 |
| <b>Horizontal Pattern:</b>                  |     |                                    |            |            |            |
| Azimuth Beamwidth                           | °   | 68 ± 4.0                           | 68 ± 3.4   | 70 ± 4.2   | 69 ± 5.7   |
| Front-to-Back Ratio, Total Power, ± 30°     | dB  | > 21                               | > 23       | > 23       | > 23       |
| Cross Polar Discrimination at Boresight     | dB  | > 23                               | > 22       | > 21       | > 20       |
| Azimuth Beam Squint                         | °   | -3 ± 4.7                           | 0 ± 4.1    | 1 ± 4.5    | 2 ± 5.7    |
| Azimuth Beam Port-to-Port Tracking          | dB  | 2.5                                | 2.0        | 2.0        | 4.0        |
| <b>Vertical Pattern:</b>                    |     |                                    |            |            |            |
| Elevation Beamwidth                         | °   | 15.7 ± 1.5                         | 14.5 ± 0.7 | 14.2 ± 0.7 | 13.2 ± 0.8 |
| Electrical Downtilt continuously adjustable | °   | 2.0 – 16.0                         |            |            |            |
| Tilt Accuracy                               | °   | < 1.4                              | < 1.1      | < 1.2      | < 1.0      |
| First Upper Sidelobe Suppression            | dB  | > 15                               | > 15       | > 16       | > 16       |
| Intra-Cluster Isolation                     | dB  | > 25                               |            |            |            |
| Port to Port Isolation                      | dB  | > 25 (R1 // R2, Y1, Y2, Y3, Y4)    |            |            |            |
| Max. Effective Power per Port               | W   | 175 (at 40 °C ambient temperature) |            |            |            |

Values based on NGMN-P-BASTA (version 11.1) requirements.

| Right side, lowband                         |     | R2, connector 3–4                  |            |            |            |
|---|-----|------------------------------------|------------|------------|------------|
| Frequency Range                             | MHz | 698 – 806                          | 791 – 862  | 824 – 894  | 880 – 960  |
| Gain at mid Tilt                            | dBi | 13.1                               | 13.6       | 13.8       | 13.8       |
| Gain over all Tilts                         | dBi | 13.1 ± 0.3                         | 13.6 ± 0.3 | 13.8 ± 0.0 | 13.8 ± 0.1 |
| <b>Horizontal Pattern:</b>                  |     |                                    |            |            |            |
| Azimuth Beamwidth                           | °   | 67 ± 4.7                           | 67 ± 4.9   | 66 ± 4.1   | 65 ± 3.7   |
| Front-to-Back Ratio, Total Power, ± 30°     | dB  | > 21                               | > 21       | > 21       | > 22       |
| Cross Polar Discrimination at Boresight     | dB  | > 22                               | > 27       | > 26       | > 24       |
| Azimuth Beam Squint                         | °   | 1 ± 4.2                            | -1 ± 2.4   | -1 ± 2.0   | -3 ± 2.4   |
| Azimuth Beam Port-to-Port Tracking          | dB  | 2.0                                | 1.5        | 1.0        | 2.0        |
| <b>Vertical Pattern:</b>                    |     |                                    |            |            |            |
| Elevation Beamwidth                         | °   | 15.6 ± 1.2                         | 14.5 ± 0.8 | 14.1 ± 0.7 | 13.2 ± 0.6 |
| Electrical Downtilt continuously adjustable | °   | 2.0 – 16.0                         |            |            |            |
| Tilt Accuracy                               | °   | < 0.7                              | < 0.6      | < 0.6      | < 0.4      |
| First Upper Sidelobe Suppression            | dB  | > 20                               | > 21       | > 21       | > 20       |
| Intra-Cluster Isolation                     | dB  | > 25                               |            |            |            |
| Port to Port Isolation                      | dB  | > 25 (R2 // R1, Y1, Y2, Y3, Y4)    |            |            |            |
| Max. Effective Power per Port               | W   | 175 (at 40 °C ambient temperature) |            |            |            |

Values based on NGMN-P-BASTA (version 11.1) requirements.

| Left side, midband, bottom                  |     | Y1, connector 5–6                  |             |             |             |             |
|---|-----|------------------------------------|-------------|-------------|-------------|-------------|
| Frequency Range                             | MHz | 1695 – 1880                        | 1850 – 1990 | 1920 – 2180 | 2300 – 2400 | 2500 – 2690 |
| Gain at mid Tilt                            | dBi | 16.5                               | 16.7        | 16.9        | 17.3        | 17.6        |
| Gain over all Tilts                         | dBi | 16.5 ± 0.7                         | 16.7 ± 0.7  | 16.9 ± 0.8  | 17.2 ± 1.0  | 17.6 ± 1.1  |
| <b>Horizontal Pattern:</b>                  |     |                                    |             |             |             |             |
| Azimuth Beamwidth                           | °   | 66 ± 8.8                           | 66 ± 7.7    | 62 ± 9.6    | 53 ± 5.1    | 51 ± 5.7    |
| Front-to-Back Ratio, Total Power, ± 30°     | dB  | > 21                               | > 21        | > 22        | > 22        | > 21        |
| Cross Polar Discrimination at Boresight     | dB  | > 20                               | > 23        | > 24        | > 24        | > 20        |
| Azimuth Beam Squint                         | °   | -4 ± 7.0                           | -2 ± 2.8    | -3 ± 2.9    | -4 ± 1.4    | -4 ± 1.9    |
| Azimuth Beam Port-to-Port Tracking          | dB  | 5.5                                | 3.0         | 3.0         | 6.0         | 5.5         |
| <b>Vertical Pattern:</b>                    |     |                                    |             |             |             |             |
| Elevation Beamwidth                         | °   | 7.3 ± 0.4                          | 6.9 ± 0.3   | 6.6 ± 0.5   | 5.9 ± 0.4   | 5.4 ± 0.3   |
| Electrical Downtilt continuously adjustable | °   | 2.0 – 12.0                         |             |             |             |             |
| Tilt Accuracy                               | °   | < 0.7                              | < 0.7       | < 0.6       | < 0.6       | < 0.6       |
| First Upper Sidelobe Suppression            | dB  | > 22                               | > 22        | > 20        | > 18        | > 21        |
| Intra-Cluster Isolation                     | dB  | > 25                               |             |             |             |             |
| Port to Port Isolation                      | dB  | > 25 (Y1 // R1, R2, Y2, Y3, Y4)    |             |             |             |             |
| Max. Effective Power per Port               | W   | 175 (at 40 °C ambient temperature) |             |             |             |             |

Values based on NGMN-P-BASTA (version 11.1) requirements.

| Left side, midband, top                     |     | Y2, connector 7–8                  |             |             |             |             |
|---|-----|------------------------------------|-------------|-------------|-------------|-------------|
| Frequency Range                             | MHz | 1695 – 1880                        | 1850 – 1990 | 1920 – 2180 | 2300 – 2400 | 2500 – 2690 |
| Gain at mid Tilt                            | dBi | 15.7                               | 15.9        | 15.8        | 16.1        | 16.3        |
| Gain over all Tilts                         | dBi | 15.7 ± 0.6                         | 15.8 ± 0.8  | 15.7 ± 0.7  | 16.2 ± 0.5  | 16.3 ± 0.8  |
| <b>Horizontal Pattern:</b>                  |     |                                    |             |             |             |             |
| Azimuth Beamwidth                           | °   | 61 ± 12.5                          | 62 ± 12.6   | 68 ± 11.9   | 71 ± 4.7    | 63 ± 7.5    |
| Front-to-Back Ratio, Total Power, ± 30°     | dB  | > 21                               | > 21        | > 21        | > 23        | > 21        |
| Cross Polar Discrimination at Boresight     | dB  | > 19                               | > 19        | > 19        | > 21        | > 18        |
| Azimuth Beam Squint                         | °   | 7 ± 6.0                            | 6 ± 5.7     | 6 ± 4.8     | 6 ± 2.9     | 9 ± 2.6     |
| Azimuth Beam Port-to-Port Tracking          | dB  | 3.5                                | 4.0         | 4.0         | 2.0         | 3.0         |
| <b>Vertical Pattern:</b>                    |     |                                    |             |             |             |             |
| Elevation Beamwidth                         | °   | 7.4 ± 0.5                          | 6.8 ± 0.3   | 6.5 ± 0.4   | 5.7 ± 0.2   | 5.5 ± 0.4   |
| Electrical Downtilt continuously adjustable | °   | 2.0 – 12.0                         |             |             |             |             |
| Tilt Accuracy                               | °   | < 0.4                              | < 0.3       | < 0.3       | < 0.4       | < 0.6       |
| First Upper Sidelobe Suppression            | dB  | > 18                               | > 19        | > 19        | > 20        | > 15        |
| Intra-Cluster Isolation                     | dB  | > 25                               |             |             |             |             |
| Port to Port Isolation                      | dB  | > 25 (Y2 // R1, R2, Y1, Y3, Y4)    |             |             |             |             |
| Max. Effective Power per Port               | W   | 175 (at 40 °C ambient temperature) |             |             |             |             |

Values based on NGMN-P-BASTA (version 11.1) requirements.

## Right side, midband, bottom

## Y3, connector 9–10

| Frequency Range                             | MHz | 1695 – 1880                        | 1850 – 1990 | 1920 – 2180 | 2300 – 2400 | 2500 – 2690 |
|---|-----|------------------------------------|-------------|-------------|-------------|-------------|
| Gain at mid Tilt                            | dBi | 16.1                               | 16.0        | 16.2        | 16.4        | 16.5        |
| Gain over all Tilts                         | dBi | 16.1 ± 0.7                         | 16.0 ± 0.9  | 16.1 ± 0.9  | 16.4 ± 0.6  | 16.5 ± 0.9  |
| <b>Horizontal Pattern:</b>                  |     |                                    |             |             |             |             |
| Azimuth Beamwidth                           | °   | 64 ± 13.7                          | 67 ± 14.1   | 70 ± 12.2   | 73 ± 6.8    | 67 ± 6.2    |
| Front-to-Back Ratio, Total Power, ± 30°     | dB  | > 21                               | > 21        | > 21        | > 25        | > 22        |
| Cross Polar Discrimination at Boresight     | dB  | > 22                               | > 19        | > 18        | > 20        | > 17        |
| Azimuth Beam Squint                         | °   | -7 ± 8.2                           | -6 ± 6.5    | -6 ± 5.0    | -6 ± 2.8    | -8 ± 2.5    |
| Azimuth Beam Port-to-Port Tracking          | dB  | 4.5                                | 5.5         | 5.0         | 1.5         | 2.5         |
| <b>Vertical Pattern:</b>                    |     |                                    |             |             |             |             |
| Elevation Beamwidth                         | °   | 7.4 ± 0.4                          | 7.2 ± 0.3   | 6.7 ± 0.6   | 6.0 ± 0.3   | 5.5 ± 0.5   |
| Electrical Downtilt continuously adjustable | °   | 2.0 – 12.0                         |             |             |             |             |
| Tilt Accuracy                               | °   | < 0.3                              | < 0.4       | < 0.4       | < 0.4       | < 0.4       |
| First Upper Sidelobe Suppression            | dB  | > 19                               | > 19        | > 19        | > 20        | > 16        |
| Intra-Cluster Isolation                     | dB  | > 25                               |             |             |             |             |
| Port to Port Isolation                      | dB  | > 25 (Y3 // R1, R2, Y1, Y2, Y4)    |             |             |             |             |
| Max. Effective Power per Port               | W   | 175 (at 40 °C ambient temperature) |             |             |             |             |

Values based on NGMN-P-BASTA (version 11.1) requirements.

## Right side, midband, top

## Y4, connector 11–12

| Frequency Range                             | MHz | 1695 – 1880                        | 1850 – 1990 | 1920 – 2180 | 2300 – 2400 | 2500 – 2690 |
|---|-----|------------------------------------|-------------|-------------|-------------|-------------|
| Gain at mid Tilt                            | dBi | 16.3                               | 16.5        | 16.8        | 17.4        | 17.7        |
| Gain over all Tilts                         | dBi | 16.3 ± 0.6                         | 16.5 ± 0.6  | 16.8 ± 0.8  | 17.3 ± 1.0  | 17.8 ± 0.9  |
| <b>Horizontal Pattern:</b>                  |     |                                    |             |             |             |             |
| Azimuth Beamwidth                           | °   | 72 ± 5.8                           | 69 ± 8.6    | 63 ± 8.9    | 54 ± 4.2    | 51 ± 5.9    |
| Front-to-Back Ratio, Total Power, ± 30°     | dB  | > 21                               | > 21        | > 22        | > 21        | > 21        |
| Cross Polar Discrimination at Boresight     | dB  | > 21                               | > 22        | > 22        | > 24        | > 20        |
| Azimuth Beam Squint                         | °   | 1 ± 5.9                            | 0 ± 3.4     | 1 ± 2.8     | 2 ± 1.3     | 2 ± 1.9     |
| Azimuth Beam Port-to-Port Tracking          | dB  | 4.0                                | 3.0         | 3.5         | 3.5         | 5.0         |
| <b>Vertical Pattern:</b>                    |     |                                    |             |             |             |             |
| Elevation Beamwidth                         | °   | 7.5 ± 0.4                          | 7.1 ± 0.3   | 6.8 ± 0.5   | 5.9 ± 0.2   | 5.4 ± 0.3   |
| Electrical Downtilt continuously adjustable | °   | 2.0 – 12.0                         |             |             |             |             |
| Tilt Accuracy                               | °   | < 0.6                              | < 0.5       | < 0.4       | < 0.3       | < 0.3       |
| First Upper Sidelobe Suppression            | dB  | > 23                               | > 23        | > 22        | > 19        | > 20        |
| Intra-Cluster Isolation                     | dB  | > 25                               |             |             |             |             |
| Port to Port Isolation                      | dB  | > 25 (Y4 // R1, R2, Y1, Y2, Y3)    |             |             |             |             |
| Max. Effective Power per Port               | W   | 175 (at 40 °C ambient temperature) |             |             |             |             |

Values based on NGMN-P-BASTA (version 11.1) requirements.

## Electrical specifications, all ports

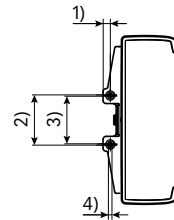
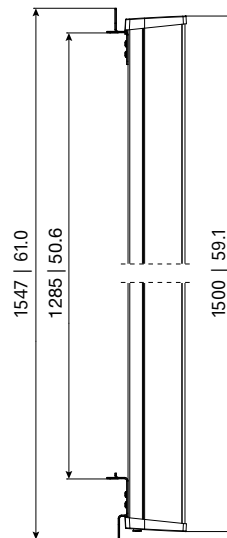
|                                      |            |                                    |
|--------------------------------------|------------|------------------------------------|
| Impedance                            | $\Omega$   | 50                                 |
| VSWR                                 |            | < 1.5                              |
| Return Loss                          | dB         | > 14                               |
| Inter-Cluster Isolation              | dB         | > 25                               |
| Passive Intermodulation              | dBc        | < -153 (2 x 43 dBm carrier)        |
| Polarization                         | $^{\circ}$ | +45, -45                           |
| Max. Effective Power for the Antenna | W          | 900 (at 40° C ambient temperature) |

Values based on NGMN-P-BASTA (version 11.1) requirements.

## Mechanical specifications

|   |  |  |
|---|--|--|
| Input                                     | 12x 4.3-10 female  |  |
| Connector Position                        | bottom   |  |
| Adjustment Mechanism                      | FlexRET,<br>continuously adjustable  |  |
| Wind load (at Rated Wind Speed: 150 km/h) | N   lbf  | Frontal: 1155   260<br>Maximal: 1270   286               |
| Wind Load Standard                        | EN 1994-1-4  |  |
| Wind Load Laboratory                      | TU Dresden;<br>Göttinger-type wind tunnel  |  |
| Max. Wind Velocity                        | km/h<br>mph  | 241<br>150   |
| Height / Width / Depth                    | mm<br>inches   | 1500 / 488 / 175<br>59.1 / 19.2 / 6.9                    |
| Category of Mounting Hardware             | XH (X-Heavy)   |  |
| Weight                                    | kg<br>lb   | 37.3 / 42.8 (clamps incl.)<br>82.2 / 94.3 (clamps incl.) |
| Packing Size                              | mm<br>inches   | 1762 / 520 / 265<br>69.4 / 20.5 / 10.4                   |
| Scope of Supply                           | Panel, RET KRY 121 79/2 and<br>clamps for 55–115 mm  <br>2.2–4.5 inches diameter |  |

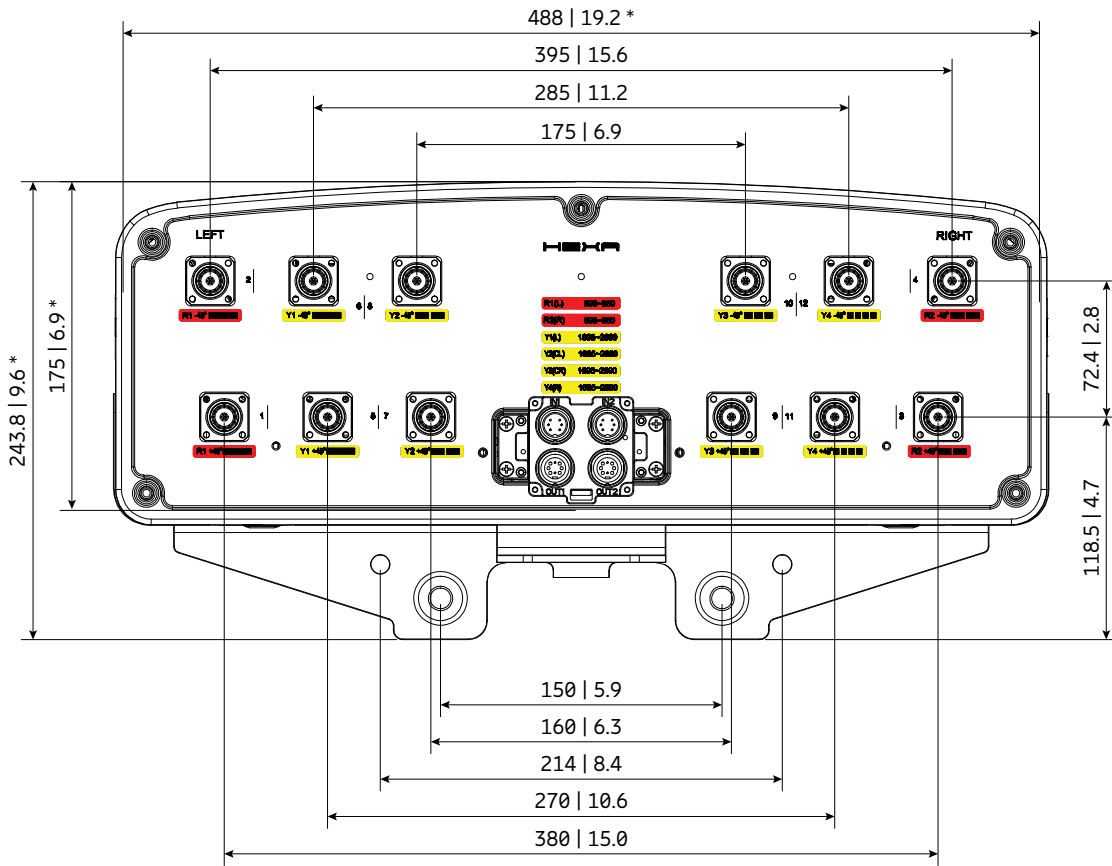
- Material:** **Reflector screen and dipoles:** Aluminum.  
**Fiberglass housing:** It covers totally the internal antenna components. The special design reduces the sealing areas to a minimum and guarantees the best weather protection. Fiberglass material guarantees optimum performance with regards to stability, stiffness, UV resistance and painting. The color of the radome is light grey.  
**All nuts and bolts:** Stainless steel or hot-dip galvanized steel.
- Grounding:** The metal parts of the antenna including the mounting kit and the inner conductors are DC grounded.



- 1) 22 | 0.9  
2) 150 | 5.9  
3) 142 | 5.6  
4) 11 | 0.4

All dimensions  
in mm | inches

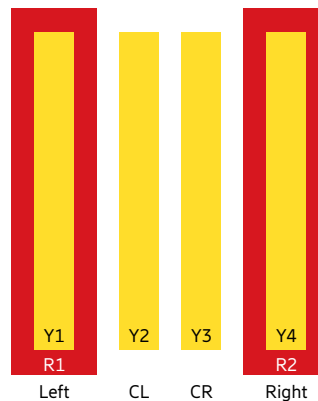
### Layout of interface

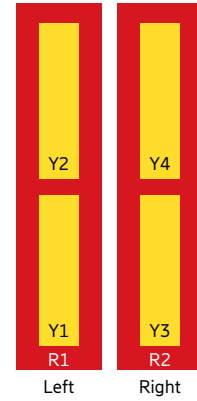
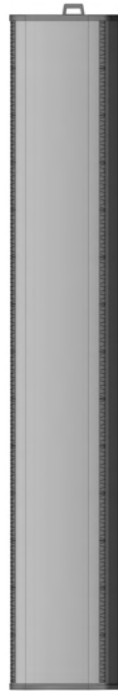


Bottom view  
 \* Dimensions refer to radome  
 All dimensions in mm | inches

### Correlation Table

| Frequency range | Array | Connector / Ports |
|-----------------|-------|-------------------|
| 698–960 MHz     | R1    | 1–2               |
| 698–960 MHz     | R2    | 3–4               |
| 1695–2690 MHz   | Y1    | 5–6               |
| 1695–2690 MHz   | Y2    | 7–8               |
| 1695–2690 MHz   | Y3    | 9–10              |
| 1695–2690 MHz   | Y4    | 11–12             |





# Antenna 4200 2L 4M 2.4m

840370799

Capacity **Compact** Coverage

65° | 2x 698–894 MHz | 15.5 dBi  
65° | 4x 1695–2360 MHz | 17.0 dBi  
FlexRET



[ericsson.com/antenna-system](https://ericsson.com/antenna-system)



Scan or [click](#)

2LB nMB



| Left side, lowband                          |     | R1, connector 1–2                         |            |
|---|-----|---|------------|
| Frequency Range                             | MHz | 698 – 824                                 | 824 – 894  |
| Gain at mid Tilt                            | dBi | 14.8                                      | 15.9       |
| Gain over all Tilts                         | dBi | 14.8 ± 0.5                                | 15.9 ± 0.4 |
| <b>Horizontal Pattern:</b>                  |     |   |            |
| Azimuth Beamwidth                           | °   | 60 ± 4.4                                  | 56 ± 4.2   |
| Front-to-Back Ratio, ± 30°                  | dB  | > 25                                      | > 25       |
| Cross Polar Discrimination at Boresight     | dB  | > 16                                      | > 22       |
| Cross Polar Discrimination over Sector      | dB  | > 7.5                                     | > 9.5      |
| <b>Vertical Pattern:</b>                    |     |   |            |
| Elevation Beamwidth                         | °   | 9.8 ± 0.6                                 | 8.8 ± 0.3  |
| Electrical Downtilt continuously adjustable | °   | 1.0 – 10.0                                |            |
| Tilt Accuracy                               | °   | < 0.8                                     | < 0.6      |
| First Upper Side Lobe Suppression           | dB  | > 16                                      | > 17       |
| Cross Polar Isolation                       | dB  | > 25 typically                            |            |
| Port to Port Isolation                      | dB  | > 25 (R1 // R2, Y1, Y2, Y3, Y4) typically |            |
| Max. Effective Power per Port               | W   | 400 (at 50 °C ambient temperature)        |            |
| Max. Effective Power Ports R1               | W   | 800 (at 50 °C ambient temperature)        |            |

Values based on NGMN-P-BASTA (version 9.6) requirements.

| Right side, lowband                         |     | R2, connector 3–4                         |            |
|---|-----|---|------------|
| Frequency Range                             | MHz | 698 – 824                                 | 824 – 894  |
| Gain at mid Tilt                            | dBi | 14.8                                      | 15.8       |
| Gain over all Tilts                         | dBi | 14.8 ± 0.5                                | 15.8 ± 0.4 |
| <b>Horizontal Pattern:</b>                  |     |   |            |
| Azimuth Beamwidth                           | °   | 60 ± 4.5                                  | 57 ± 4.8   |
| Front-to-Back Ratio, ± 30°                  | dB  | > 25                                      | > 25       |
| Cross Polar Discrimination at Boresight     | dB  | > 16                                      | > 21       |
| Cross Polar Discrimination over Sector      | dB  | > 8.0                                     | > 11.0     |
| <b>Vertical Pattern:</b>                    |     |   |            |
| Elevation Beamwidth                         | °   | 9.8 ± 0.6                                 | 8.8 ± 0.4  |
| Electrical Downtilt continuously adjustable | °   | 1.0 – 10.0                                |            |
| Tilt Accuracy                               | °   | < 0.8                                     | < 0.4      |
| First Upper Side Lobe Suppression           | dB  | > 16                                      | > 19       |
| Cross Polar Isolation                       | dB  | > 25 typically                            |            |
| Port to Port Isolation                      | dB  | > 25 (R2 // R1, Y1, Y2, Y3, Y4) typically |            |
| Max. Effective Power per Port               | W   | 400 (at 50 °C ambient temperature)        |            |
| Max. Effective Power Ports R2               | W   | 800 (at 50 °C ambient temperature)        |            |

Values based on NGMN-P-BASTA (version 9.6) requirements.

| Left side, lower midband                    |     | Y1, connector 5–6                  |             |             |             |
|---|-----|------------------------------------|-------------|-------------|-------------|
| Frequency Range                             | MHz | 1695 – 1880                        | 1850 – 1990 | 1920 – 2170 | 2305 – 2360 |
| Gain at mid Tilt                            | dBi | 16.4                               | 16.9        | 17.4        | 16.9        |
| Gain over all Tilts                         | dBi | 16.3 ± 0.5                         | 16.8 ± 0.4  | 17.2 ± 0.5  | 17.0 ± 0.7  |
| <b>Horizontal Pattern:</b>                  |     |                                    |             |             |             |
| Azimuth Beamwidth                           | °   | 66 ± 5.2                           | 66 ± 2.7    | 63 ± 4.7    | 65 ± 8.1    |
| Front-to-Back Ratio, ± 30°                  | dB  | > 23                               | > 28        | > 29        | > 29        |
| Cross Polar Discrimination at Boresight     |     | > 14                               | > 17        | > 20        | > 16        |
| Cross Polar Discrimination over Sector      | dB  | > 10.0                             | > 10.5      | > 11.0      | > 8.0       |
| <b>Vertical Pattern:</b>                    |     |                                    |             |             |             |
| Elevation Beamwidth                         | °   | 7.7 ± 0.6                          | 7.2 ± 0.4   | 6.8 ± 0.7   | 5.9 ± 0.4   |
| Electrical Downtilt continuously adjustable | °   | 2.5 – 12.0                         |             |             |             |
| Tilt Accuracy                               | °   | < 0.8                              | < 0.7       | < 0.7       | < 0.4       |
| First Upper Side Lobe Suppression           | dB  | > 16                               | > 17        | > 15        | > 14        |
| Cross Polar Isolation                       | dB  | > 25                               |             |             |             |
| Port to Port Isolation                      | dB  | > 25 (Y1 // R1, R2, Y2, Y3, Y4)    |             |             |             |
| Max. Effective Power per Port               | W   | 200 (at 50 °C ambient temperature) |             |             |             |
| Max. Effective Power Ports Y1               | W   | 400 (at 50 °C ambient temperature) |             |             |             |

Values based on NGMN-P-BASTA (version 9.6) requirements.

| Left side, upper midband                    |     | Y2, connector 7–8                  |             |             |             |
|---|-----|------------------------------------|-------------|-------------|-------------|
| Frequency Range                             | MHz | 1695 – 1880                        | 1850 – 1990 | 1920 – 2170 | 2305 – 2360 |
| Gain at mid Tilt                            | dBi | 16.1                               | 16.6        | 17.0        | 16.7        |
| Gain over all Tilts                         | dBi | 16.0 ± 0.5                         | 16.6 ± 0.4  | 16.9 ± 0.4  | 16.6 ± 0.6  |
| <b>Horizontal Pattern:</b>                  |     |                                    |             |             |             |
| Azimuth Beamwidth                           | °   | 64 ± 4.8                           | 65 ± 3.1    | 63 ± 3.8    | 65 ± 6.3    |
| Front-to-Back Ratio, ± 30°                  | dB  | > 25                               | > 27        | > 28        | > 28        |
| Cross Polar Discrimination at Boresight     | dB  | > 15                               | > 18        | > 21        | > 16        |
| Cross Polar Discrimination over Sector      | dB  | > 10.5                             | > 11.0      | > 11.0      | > 7.5       |
| <b>Vertical Pattern:</b>                    |     |                                    |             |             |             |
| Elevation Beamwidth                         | °   | 7.8 ± 0.6                          | 7.3 ± 0.4   | 6.9 ± 0.7   | 6.2 ± 0.3   |
| Electrical Downtilt continuously adjustable | °   | 2.5 – 12.0                         |             |             |             |
| Tilt Accuracy                               | °   | < 0.4                              | < 0.3       | < 0.3       | < 0.3       |
| First Upper Side Lobe Suppression           | dB  | > 15                               | > 16        | > 15        | > 15        |
| Cross Polar Isolation                       | dB  | > 25                               |             |             |             |
| Port to Port Isolation                      | dB  | > 25 (Y2 // R1, R2, Y1, Y3, Y4)    |             |             |             |
| Max. Effective Power per Port               | W   | 200 (at 50 °C ambient temperature) |             |             |             |
| Max. Effective Power Ports Y2               | W   | 400 (at 50 °C ambient temperature) |             |             |             |

Values based on NGMN-P-BASTA (version 9.6) requirements.

| Right side, lower midband                   |     | Y3, connector 9 – 10               |             |             |             |
|---|-----|------------------------------------|-------------|-------------|-------------|
| Frequency Range                             | MHz | 1695 – 1880                        | 1850 – 1990 | 1920 – 2170 | 2305 – 2360 |
| Gain at mid Tilt                            | dBi | 16.5                               | 17.0        | 17.4        | 16.9        |
| Gain over all Tilts                         | dBi | 16.5 ± 0.4                         | 16.9 ± 0.4  | 17.3 ± 0.5  | 17.1 ± 0.8  |
| <b>Horizontal Pattern:</b>                  |     |                                    |             |             |             |
| Azimuth Beamwidth                           | °   | 65 ± 6.1                           | 66 ± 3.3    | 63 ± 4.3    | 64 ± 6.4    |
| Front-to-Back Ratio, ± 30°                  | dB  | > 23                               | > 26        | > 28        | > 27        |
| Cross Polar Discrimination at Boresight     | dB  | > 14                               | > 18        | > 21        | > 21        |
| Cross Polar Discrimination over Sector      | dB  | > 10.5                             | > 10.5      | > 10.5      | > 8.5       |
| <b>Vertical Pattern:</b>                    |     |                                    |             |             |             |
| Elevation Beamwidth                         | °   | 7.7 ± 0.5                          | 7.2 ± 0.4   | 6.8 ± 0.7   | 6.0 ± 0.5   |
| Electrical Downtilt continuously adjustable | °   | 2.5 – 12.0                         |             |             |             |
| Tilt Accuracy                               | °   | < 0.6                              | < 0.4       | < 0.4       | < 0.5       |
| First Upper Side Lobe Suppression           | dB  | > 16                               | > 17        | > 16        | > 14        |
| Cross Polar Isolation                       | dB  | > 25                               |             |             |             |
| Port to Port Isolation                      | dB  | > 25 (Y3 // R1, R2, Y1, Y2, Y4)    |             |             |             |
| Max. Effective Power per Port               | W   | 200 (at 50 °C ambient temperature) |             |             |             |
| Max. Effective Power Ports Y3               | W   | 400 (at 50 °C ambient temperature) |             |             |             |

Values based on NGMN-P-BASTA (version 9.6) requirements.

| Right side, upper midband                   |     | Y4, connector 11 – 12              |             |             |             |
|---|-----|------------------------------------|-------------|-------------|-------------|
| Frequency Range                             | MHz | 1695 – 1880                        | 1850 – 1990 | 1920 – 2170 | 2305 – 2360 |
| Gain at mid Tilt                            | dBi | 16.3                               | 16.7        | 17.0        | 16.7        |
| Gain over all Tilts                         | dBi | 16.2 ± 0.5                         | 16.6 ± 0.5  | 16.9 ± 0.5  | 16.8 ± 0.6  |
| <b>Horizontal Pattern:</b>                  |     |                                    |             |             |             |
| Azimuth Beamwidth                           | °   | 63 ± 6.6                           | 64 ± 4.6    | 63 ± 3.8    | 64 ± 5.0    |
| Front-to-Back Ratio, ± 30°                  | dB  | > 24                               | > 25        | > 28        | > 27        |
| Cross Polar Discrimination at Boresight     | dB  | > 15                               | > 19        | > 21        | > 20        |
| Cross Polar Discrimination over Sector      | dB  | > 10.5                             | > 11.5      | > 12.0      | > 9.0       |
| <b>Vertical Pattern:</b>                    |     |                                    |             |             |             |
| Elevation Beamwidth                         | °   | 7.7 ± 0.6                          | 7.2 ± 0.4   | 6.8 ± 0.7   | 6.0 ± 0.2   |
| Electrical Downtilt continuously adjustable | °   | 2.5 – 12.0                         |             |             |             |
| Tilt Accuracy                               | °   | < 0.4                              | < 0.4       | < 0.3       | < 0.4       |
| First Upper Side Lobe Suppression           | dB  | > 15                               | > 15        | > 14        | > 14        |
| Cross Polar Isolation                       | dB  | > 25                               |             |             |             |
| Port to Port Isolation                      | dB  | > 25 (Y4 // R1, R2, Y1, Y2, Y3)    |             |             |             |
| Max. Effective Power per Port               | W   | 200 (at 50 °C ambient temperature) |             |             |             |
| Max. Effective Power Ports Y4               | W   | 400 (at 50 °C ambient temperature) |             |             |             |

Values based on NGMN-P-BASTA (version 9.6) requirements.

## Electrical specifications, all ports

|                                      |          |                                     |
|--------------------------------------|----------|-------------------------------------|
| Impedance                            | $\Omega$ | 50                                  |
| VSWR                                 |          | < 1.5                               |
| Return Loss                          | dB       | > 14                                |
| Interband Isolation                  | dB       | > 25                                |
| Passive Intermodulation              | dBc      | < -153 (2 x 43 dBm carrier)         |
| Polarization                         | °        | +45, -45                            |
| Max. Effective Power for the Antenna | W        | 1000 (at 50 °C ambient temperature) |

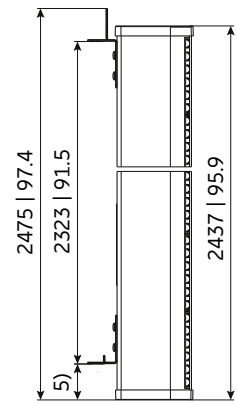
Values based on NGMN-P-BASTA (version 9.6) requirements.

## Mechanical specifications

|   |              |   |
|---|--------------|---|
| Input                                     |              | 12x 4.3-10 female   |
| Connector Position                        |              | bottom  |
| Adjustment Mechanism                      |              | FlexRET,<br>continuously adjustable                                     |
| Wind load (at Rated Wind Speed: 150 km/h) | N   lbf      | Frontal: 590   132<br>Lateral: 485   109<br>Maximal: 1035   233         |
| Max. Wind Velocity                        | km/h<br>mph  | 241<br>150  |
| Height / Width / Depth                    | mm<br>inches | 2437 / 378 / 164<br>96.0 / 14.9 / 6.5                                   |
| Category of Mounting Hardware             |              | XM (X-Medium)   |
| Weight                                    | kg<br>lb     | 43.5 / 48 (clamps incl.)<br>95.9 / 105.9 (clamps incl.)                 |
| Packing Size                              | mm<br>inches | 2585 / 440 / 293<br>101.8 / 17.3 / 11.5                                 |
| Scope of Supply                           |              | Panel, FlexRET and clamps<br>for 55–115 mm  <br>2.2–4.5 inches diameter |

## Accessories (order separately if required)

| Product No.   | Description          | Remarks<br>mm   inches  | Units per antenna |
|---------------|----------------------|---|-------------------|
| 85010097      | 2 clamps             | Mast diameter: 110–220   4.3–8.7                                  | 1                 |
| 85010110      | 1 downtilt kit       | Downtilt angle: 0°–10°  | 1                 |
| 86010154      | Site Sharing Adapter | 3-way (see figure below)  |                   |
| 86010155      | Site Sharing Adapter | 6-way (see figure below)  |                   |
| 86010162      | Gender Adapter       | Solely to be used in combination with a compatible FlexRET module | 1                 |
| KRY 121 108/1 | Port Extender        |   | 1                 |



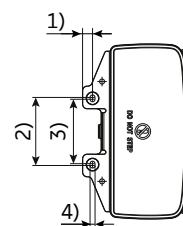
## Accessories (included in the scope of supply)

| Product No. | Description | Remarks<br>mm   inches          | Units per antenna |
|-------------|-------------|---------------------------------|-------------------|
| 85010111    | 2 clamps    | Mast diameter: 55–115   2.2–4.5 | 1                 |
| 86010153V01 | FlexRET     | Compliant to 3GPP / AISG 2.0    | 1                 |

For downtilt mounting use the clamps for an appropriate mast diameter together with the downtilt kit. Wall mounting: No additional mounting kit needed.

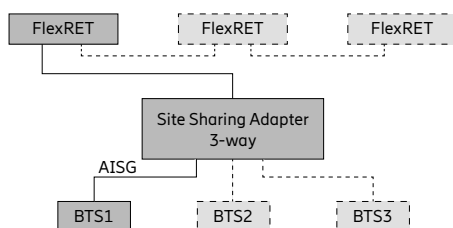
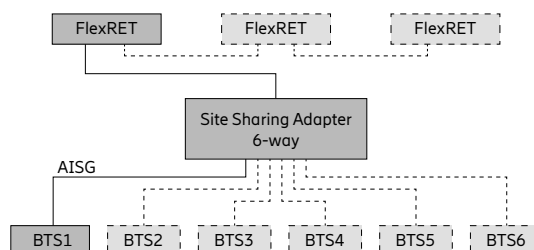
**Material:** **Reflector screen:** Aluminum.  
**Fiberglass housing:** It covers totally the internal antenna components. The special design reduces the sealing areas to a minimum and guarantees the best weather protection. Fiberglass material guarantees optimum performance with regards to stability, stiffness, UV resistance and painting. The color of the radome is light grey.  
**All nuts and bolts:** Stainless steel or hot-dip galvanized steel.

**Grounding:** The metal parts of the antenna including the mounting kit and the inner conductors are DC grounded.



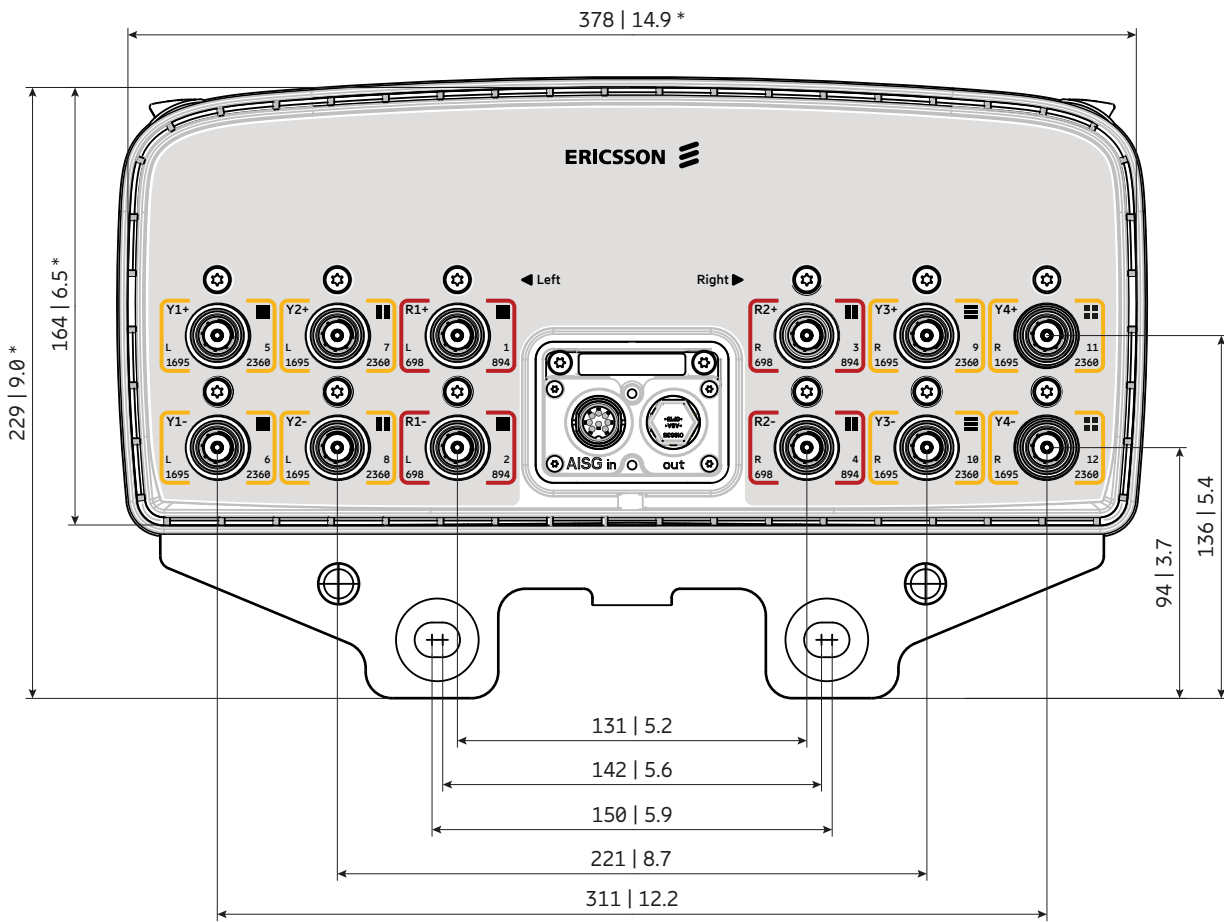
- 1) 22 | 0.9
- 2) 150 | 5.9
- 3) 142 | 5.6
- 4) 11 | 0.4
- 5) 79 | 3.1

All dimensions  
in mm | inches

Configuration example  
with Site Sharing Adapter 86010154Configuration example  
with Site Sharing Adapter 86010155

For more information please refer to the respective data sheets.

## Layout of interface

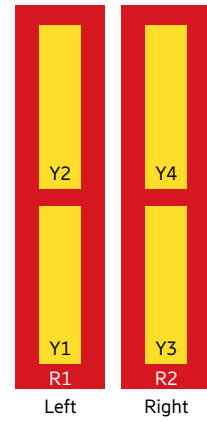


Bottom view  
\* Dimensions refer to radome  
All dimensions in mm | inches

## Correlation Table

| Frequency range | Array | Connector / Ports |
|-----------------|-------|-------------------|
| 698–894 MHz     | R1    | 1–2               |
| 698–894 MHz     | R2    | 3–4               |
| 1695–2360 MHz   | Y1    | 5–6               |
| 1695–2360 MHz   | Y2    | 7–8               |
| 1695–2360 MHz   | Y3    | 9–10              |
| 1695–2360 MHz   | Y4    | 11–12             |





# Antenna 4202 2L 4M 2.0m

800372991

Capacity **Compact** Coverage

65° | 2x 698–960 MHz | 15.0 dBi  
65° | 2x 1695–2690 MHz | 16.0 dBi  
65° | 2x 1427–2690 MHz | 16.0 dBi  
FlexRET



[ericsson.com/antenna-system](http://ericsson.com/antenna-system)



Scan or [click](#)

2LB nMB

| Left side, lowband                          |     | R1, connector 1–2                  |            |            |            |
|---|-----|------------------------------------|------------|------------|------------|
| Frequency Range                             | MHz | 698 – 806                          | 791 – 862  | 824 – 894  | 880 – 960  |
| Gain at mid Tilt                            | dBi | 14.0                               | 14.7       | 15.0       | 15.4       |
| Gain over all Tilts                         | dBi | 14.0 ± 0.5                         | 14.7 ± 0.4 | 15.0 ± 0.4 | 15.4 ± 0.4 |
| <b>Horizontal Pattern:</b>                  |     |                                    |            |            |            |
| Azimuth Beamwidth                           | °   | 62 ± 6.6                           | 59 ± 4.5   | 57 ± 3.9   | 55 ± 5.7   |
| Front-to-Back Ratio, Total Power, ± 30°     | dB  | > 20                               | > 22       | > 23       | > 21       |
| <b>Vertical Pattern:</b>                    |     |                                    |            |            |            |
| Elevation Beamwidth                         | °   | 11.8 ± 1.1                         | 10.9 ± 0.7 | 10.7 ± 0.6 | 10.1 ± 0.8 |
| Electrical Downtilt continuously adjustable | °   | 2.5 – 11.5                         |            |            |            |
| Tilt Accuracy                               | °   | < 0.5                              | < 0.4      | < 0.5      | < 0.5      |
| First Upper Side Lobe Suppression           | dB  | > 17                               | > 20       | > 19       | > 18       |
| Cross Polar Isolation                       | dB  | > 25                               |            |            |            |
| Port to Port Isolation                      | dB  | > 25 (R1 // R2, Y1, Y2, Y3, Y4)    |            |            |            |
| Max. Effective Power per Port               | W   | 400 (at 50 °C ambient temperature) |            |            |            |

Values based on NGMN-P-BASTA (version 10.0) requirements.

| Right side, lowband                         |     | R2, connector 3–4                  |            |            |            |
|---|-----|------------------------------------|------------|------------|------------|
| Frequency Range                             | MHz | 698 – 806                          | 791 – 862  | 824 – 894  | 880 – 960  |
| Gain at mid Tilt                            | dBi | 14.0                               | 14.8       | 15.0       | 15.5       |
| Gain over all Tilts                         | dBi | 14.0 ± 0.5                         | 14.7 ± 0.4 | 15.0 ± 0.4 | 15.4 ± 0.4 |
| <b>Horizontal Pattern:</b>                  |     |                                    |            |            |            |
| Azimuth Beamwidth                           | °   | 62 ± 6.8                           | 59 ± 4.3   | 57 ± 3.9   | 55 ± 5.9   |
| Front-to-Back Ratio, Total Power, ± 30°     | dB  | > 20                               | > 22       | > 23       | > 22       |
| <b>Vertical Pattern:</b>                    |     |                                    |            |            |            |
| Elevation Beamwidth                         | °   | 11.9 ± 1.4                         | 10.9 ± 0.6 | 10.7 ± 0.6 | 10.1 ± 0.7 |
| Electrical Downtilt continuously adjustable | °   | 2.5 – 11.5                         |            |            |            |
| Tilt Accuracy                               | °   | < 0.5                              | < 0.5      | < 0.5      | < 0.5      |
| First Upper Side Lobe Suppression           | dB  | > 19                               | > 21       | > 20       | > 19       |
| Cross Polar Isolation                       | dB  | > 25                               |            |            |            |
| Port to Port Isolation                      | dB  | > 25 (R2 // R1, Y1, Y2, Y3, Y4)    |            |            |            |
| Max. Effective Power per Port               | W   | 400 (at 50 °C ambient temperature) |            |            |            |

Values based on NGMN-P-BASTA (version 10.0) requirements.

| Left side, lower midband                    |     | Y1, connector 5–6                  |             |             |             |             |  |
|---|-----|------------------------------------|-------------|-------------|-------------|-------------|--|
| Frequency Range                             | MHz | 1695 – 1880                        | 1850 – 1990 | 1920 – 2170 | 2300 – 2400 | 2500 – 2690 |  |
| Gain at mid Tilt                            | dBi | 15.5                               | 15.7        | 15.9        | 15.6        | 15.8        |  |
| Gain over all Tilts                         | dBi | 15.5 ± 0.4                         | 15.7 ± 0.6  | 15.9 ± 0.6  | 15.6 ± 0.5  | 15.8 ± 0.5  |  |
| <b>Horizontal Pattern:</b>                  |     |                                    |             |             |             |             |  |
| Azimuth Beamwidth                           | °   | 65 ± 3.5                           | 65 ± 4.5    | 65 ± 5.0    | 63 ± 5.1    | 57 ± 5.3    |  |
| Front-to-Back Ratio, Total Power, ± 30°     | dB  | > 25                               | > 26        | > 26        | > 26        | > 28        |  |
| <b>Vertical Pattern:</b>                    |     |                                    |             |             |             |             |  |
| Elevation Beamwidth                         | °   | 10.7 ± 0.6                         | 10.2 ± 0.6  | 9.8 ± 0.5   | 8.9 ± 0.4   | 8.2 ± 0.5   |  |
| Electrical Downtilt continuously adjustable | °   | 2.0 – 12.0                         |             |             |             |             |  |
| Tilt Accuracy                               | °   | < 0.4                              | < 0.5       | < 0.5       | < 0.4       | < 0.4       |  |
| First Upper Side Lobe Suppression           | dB  | > 16                               | > 16        | > 17        | > 22        | > 18        |  |
| Cross Polar Isolation                       | dB  | > 25                               |             |             |             |             |  |
| Port to Port Isolation                      | dB  | > 28 (Y1 // R1, R2, Y2, Y3, Y4)    |             |             |             |             |  |
| Max. Effective Power per Port               | W   | 200 (at 50 °C ambient temperature) |             |             |             |             |  |

Values based on NGMN-P-BASTA (version 10.0) requirements.

| Left side, upper midband                    |     | Y2, connector 7–8                  |             |             |             |             |             |
|---|-----|------------------------------------|-------------|-------------|-------------|-------------|-------------|
| Frequency Range                             | MHz | 1427 – 1518                        | 1695 – 1880 | 1850 – 1990 | 1920 – 2170 | 2300 – 2400 | 2500 – 2690 |
| Gain at mid Tilt                            | dBi | 15.1                               | 15.8        | 16.1        | 16.3        | 16.1        | 15.9        |
| Gain over all Tilts                         | dBi | 15.0 ± 0.4                         | 15.7 ± 0.5  | 16.0 ± 0.6  | 16.3 ± 0.6  | 16.0 ± 0.9  | 15.8 ± 0.8  |
| <b>Horizontal Pattern:</b>                  |     |                                    |             |             |             |             |             |
| Azimuth Beamwidth                           | °   | 63 ± 3.3                           | 65 ± 4.1    | 66 ± 4.6    | 67 ± 4.4    | 67 ± 5.0    | 61 ± 6.1    |
| Front-to-Back Ratio, Total Power, ± 30°     | dB  | > 26                               | > 27        | > 25        | > 28        | > 26        | > 28        |
| <b>Vertical Pattern:</b>                    |     |                                    |             |             |             |             |             |
| Elevation Beamwidth                         | °   | 11.6 ± 0.9                         | 9.7 ± 0.6   | 9.1 ± 0.4   | 8.6 ± 0.6   | 7.8 ± 0.4   | 7.4 ± 0.4   |
| Electrical Downtilt continuously adjustable | °   | 2.0 – 12.0                         |             |             |             |             |             |
| Tilt Accuracy                               | °   | < 0.5                              | < 0.4       | < 0.4       | < 0.3       | < 0.3       | < 0.4       |
| First Upper Side Lobe Suppression           | dB  | > 15                               | > 19        | > 18        | > 18        | > 18        | > 19        |
| Cross Polar Isolation                       | dB  | > 25                               |             |             |             |             |             |
| Port to Port Isolation                      | dB  | > 28 (Y2 // R1, R2, Y1, Y3, Y4)    |             |             |             |             |             |
| Max. Effective Power per Port               | W   | 200 (at 50 °C ambient temperature) |             |             |             |             |             |

Values based on NGMN-P-BASTA (version 10.0) requirements.



## Right side, lower midband

## Y3, connector 9–10

| Frequency Range                             | MHz | 1695 – 1880                        | 1850 – 1990 | 1920 – 2170 | 2300 – 2400 | 2500 – 2690 |
|---|-----|------------------------------------|-------------|-------------|-------------|-------------|
| Gain at mid Tilt                            | dBi | 15.5                               | 15.9        | 15.9        | 15.6        | 15.8        |
| Gain over all Tilts                         | dBi | 15.5 ± 0.4                         | 15.7 ± 0.6  | 15.9 ± 0.5  | 15.6 ± 0.5  | 15.8 ± 0.6  |
| <b>Horizontal Pattern:</b>                  |     |                                    |             |             |             |             |
| Azimuth Beamwidth                           | °   | 67 ± 4.5                           | 65 ± 5.2    | 64 ± 4.9    | 64 ± 8.4    | 58 ± 5.4    |
| Front-to-Back Ratio, Total Power, ± 30°     | dB  | > 24                               | > 24        | > 25        | > 24        | > 26        |
| <b>Vertical Pattern:</b>                    |     |                                    |             |             |             |             |
| Elevation Beamwidth                         | °   | 10.8 ± 0.7                         | 10.2 ± 0.7  | 9.7 ± 0.7   | 8.8 ± 0.5   | 8.2 ± 0.5   |
| Electrical Downtilt continuously adjustable | °   | 2.0 – 12.0                         |             |             |             |             |
| Tilt Accuracy                               | °   | < 0.5                              | < 0.5       | < 0.5       | < 0.5       | < 0.4       |
| First Upper Side Lobe Suppression           | dB  | > 17                               | > 18        | > 18        | > 20        | > 18        |
| Cross Polar Isolation                       | dB  | > 25                               |             |             |             |             |
| Port to Port Isolation                      | dB  | > 28 (Y3 // R1, R2, Y1, Y2, Y4)    |             |             |             |             |
| Max. Effective Power per Port               | W   | 200 (at 50 °C ambient temperature) |             |             |             |             |

Values based on NGMN-P-BASTA (version 10.0) requirements.

## Right side, upper midband

## Y4, connector 11–12

| Frequency Range                             | MHz | 1427 – 1518                        | 1695 – 1880 | 1850 – 1990 | 1920 – 2170 | 2300 – 2400 | 2500 – 2690 |
|---|-----|------------------------------------|-------------|-------------|-------------|-------------|-------------|
| Gain at mid Tilt                            | dBi | 15.0                               | 15.8        | 16.1        | 16.4        | 16.0        | 15.9        |
| Gain over all Tilts                         | dBi | 15.0 ± 0.4                         | 15.7 ± 0.5  | 16.0 ± 0.6  | 16.3 ± 0.6  | 16.0 ± 0.9  | 15.8 ± 0.8  |
| <b>Horizontal Pattern:</b>                  |     |                                    |             |             |             |             |             |
| Azimuth Beamwidth                           | °   | 63 ± 3.3                           | 67 ± 4.4    | 65 ± 3.3    | 66 ± 3.5    | 68 ± 6.2    | 61 ± 5.7    |
| Front-to-Back Ratio, Total Power, ± 30°     | dB  | > 24                               | > 26        | > 25        | > 26        | > 26        | > 27        |
| <b>Vertical Pattern:</b>                    |     |                                    |             |             |             |             |             |
| Elevation Beamwidth                         | °   | 11.8 ± 0.7                         | 9.8 ± 0.6   | 9.1 ± 0.4   | 8.6 ± 0.6   | 7.8 ± 0.4   | 7.4 ± 0.4   |
| Electrical Downtilt continuously adjustable | °   | 2.0 – 12.0                         |             |             |             |             |             |
| Tilt Accuracy                               | °   | < 0.4                              | < 0.3       | < 0.3       | < 0.3       | < 0.3       | < 0.4       |
| First Upper Side Lobe Suppression           | dB  | > 15                               | > 18        | > 18        | > 17        | > 16        | > 18        |
| Cross Polar Isolation                       | dB  | > 25                               |             |             |             |             |             |
| Port to Port Isolation                      | dB  | > 28 (Y4 // R1, R2, Y1, Y2, Y3)    |             |             |             |             |             |
| Max. Effective Power per Port               | W   | 200 (at 50 °C ambient temperature) |             |             |             |             |             |

Values based on NGMN-P-BASTA (version 10.0) requirements.

## Electrical specifications, all ports

|                                      |          |                                     |
|--------------------------------------|----------|-------------------------------------|
| Impedance                            | $\Omega$ | 50                                  |
| VSWR                                 |          | < 1.5                               |
| Return Loss                          | dB       | > 14                                |
| Interband Isolation                  | dB       | > 25                                |
| Passive Intermodulation              | dBc      | < -153 (2 x 43 dBm carrier)*        |
| Polarization                         | °        | -45, +45                            |
| Max. Effective Power for the Antenna | W        | 1200 (at 50 °C ambient temperature) |

Values based on NGMN-P-BASTA (version 10.0) requirements.  
\* not applicable for L-band

## Mechanical specifications

|   |   |  |
|---|---|--|
| Input                                     | 12 x 4.3-10 female  |  |
| Connector Position                        | bottom  |  |
| Adjustment Mechanism                      | FlexRET,<br>continuously adjustable                               |  |
| Wind load (at Rated Wind Speed: 150 km/h) | N   lbf   | Frontal: 465   105<br>Maximal: 815   183                 |
| Max. Wind Velocity                        | km/h<br>mph   | 241<br>150   |
| Height / Width / Depth                    | mm<br>inches  | 1978 / 378 / 164<br>77.9 / 14.9 / 6.5                    |
| Category of Mounting Hardware             | XM (X-Medium)   |  |
| Weight                                    | kg<br>lb  | 37.0 / 41.5 (clamps incl.)<br>81.6 / 91.5 (clamps incl.) |
| Packing Size                              | mm<br>inches  | 2125 / 440 / 293<br>83.7 / 17.3 / 11.5                   |
| Scope of Supply                           | Panel, FlexRET and clamps for 55–115 mm   2.2–4.5 inches diameter |  |

## Accessories (order separately if required)

| Product No.   | Description          | Remarks<br>mm   inches  | Units per antenna |
|---------------|----------------------|---|-------------------|
| 85010097      | 2 clamps             | Mast diameter: 110–220   4.3–8.7                                  | 1                 |
| 85010110      | 1 downtilt kit       | Downtilt angle: 0°–10°  | 1                 |
| 86010154      | Site Sharing Adapter | 3-way (see figure below)  |                   |
| 86010155      | Site Sharing Adapter | 6-way (see figure below)  |                   |
| 86010162      | Gender Adapter       | Solely to be used in combination with a compatible FlexRET module | 1                 |
| KRY 121 108/1 | Port Extender        |   | 1                 |

## Accessories (included in the scope of supply)

| Product No. | Description | Remarks<br>mm   inches                      | Units per antenna |
|-------------|-------------|---|-------------------|
| 85010111    | 2 clamps    | Mast diameter: 55–115   2.2–4.5             | 1                 |
| 86010165    | FlexRET     | Compliant to 3GPP / AISG 2.0 – AISG 3 ready | 1                 |

For downtilt mounting use the clamps for an appropriate mast diameter together with the downtilt kit.  
Wall mounting: No additional mounting kit needed.

## Material:

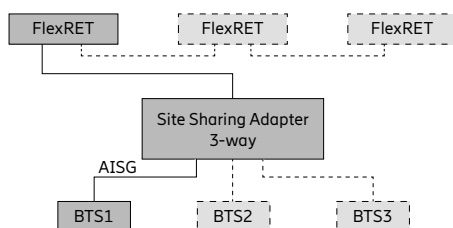
**Reflector screen:** Aluminum.

**Fiberglass housing:** It covers totally the internal antenna components. The special design reduces the sealing areas to a minimum and guarantees the best weather protection. Fiberglass material guarantees optimum performance with regards to stability, stiffness, UV resistance and painting. The color of the radome is light grey.  
**All nuts and bolts:** Stainless steel or hot-dip galvanized steel.

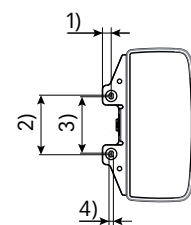
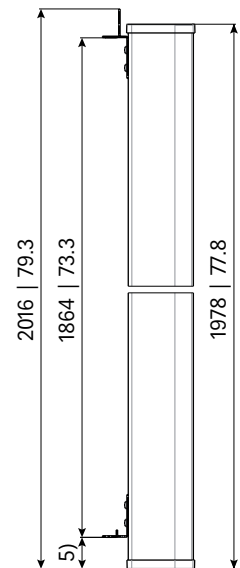
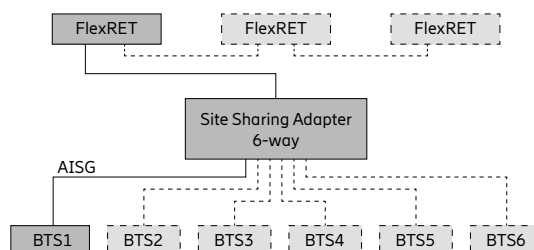
## Grounding:

The metal parts of the antenna including the mounting kit and the inner conductors are DC grounded.

## Configuration example with Site Sharing Adapter 86010154



## Configuration example with Site Sharing Adapter 86010155

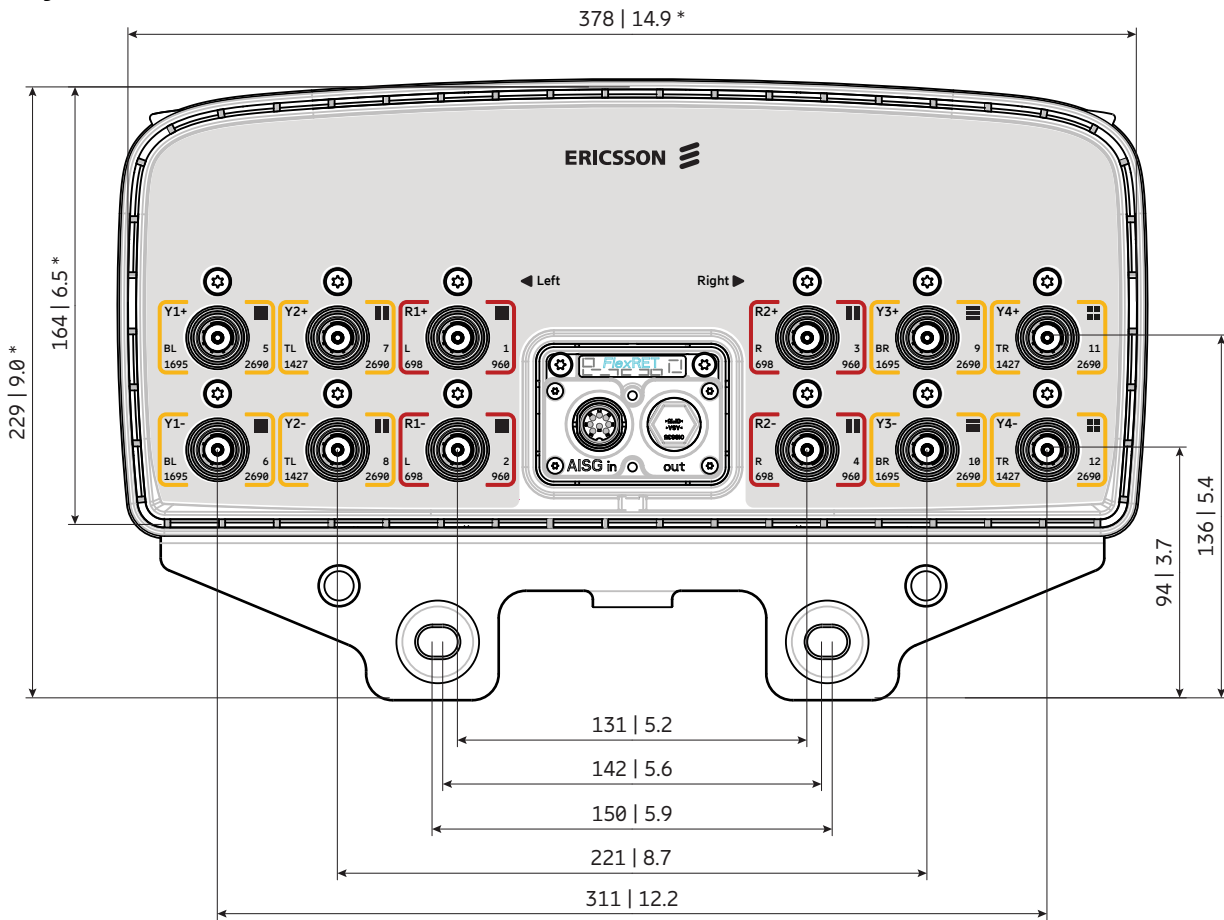


- 1) 22 | 0.9  
2) 150 | 5.9  
3) 142 | 5.6  
4) 11 | 0.4  
5) 79 | 3.1

All dimensions  
in mm | inches

For more information please refer to the respective data sheets.

## Layout of interface

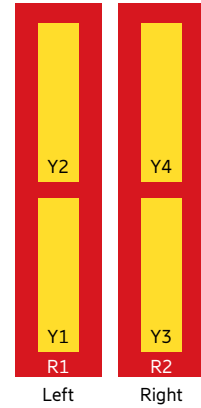
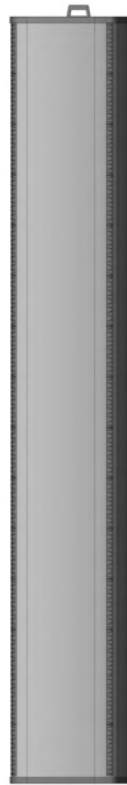


Bottom view  
\* Dimensions refer to radome  
All dimensions in mm | inches

## Correlation Table

| Frequency range | Array | Connector / Ports |
|-----------------|-------|-------------------|
| 698–960 MHz     | R1    | 1–2               |
| 698–960 MHz     | R2    | 3–4               |
| 1695–2690 MHz   | Y1    | 5–6               |
| 1427–2690 MHz   | Y2    | 7–8               |
| 1695–2690 MHz   | Y3    | 9–10              |
| 1427–2690 MHz   | Y4    | 11–12             |





# Antenna 4202 2L 4M 2.6m

800372992

Capacity **Compact** Coverage

65° | 2x 698–960 MHz | 16.4 dBi  
65° | 2x 1427–2690 MHz | 17.6 dBi  
65° | 2x 1695–2690 MHz | 16.8 dBi  
FlexRET



[ericsson.com/antenna-system](https://ericsson.com/antenna-system)



Scan or [click](#)

2LB nMB

| Left side, lowband                          |     | R1, connector 1–2                  |            |            |            |
|---|-----|------------------------------------|------------|------------|------------|
| Frequency Range                             | MHz | 698 – 806                          | 791 – 862  | 824 – 894  | 880 – 960  |
| Gain at mid Tilt                            | dBi | 15.0                               | 15.7       | 16.0       | 16.4       |
| Gain over all Tilts                         | dBi | 15.0 ± 0.6                         | 15.7 ± 0.6 | 16.0 ± 0.5 | 16.4 ± 0.5 |
| <b>Horizontal Pattern:</b>                  |     |                                    |            |            |            |
| Azimuth Beamwidth                           | °   | 63 ± 4.5                           | 60 ± 2.9   | 58 ± 3.7   | 55 ± 5.0   |
| Front-to-Back Ratio, Total Power, ± 30°     | dB  | > 20                               | > 22       | > 24       | > 24       |
| <b>Vertical Pattern:</b>                    |     |                                    |            |            |            |
| Elevation Beamwidth                         | °   | 9.1 ± 0.7                          | 8.6 ± 0.4  | 8.4 ± 0.5  | 7.9 ± 0.5  |
| Electrical Downtilt continuously adjustable | °   | 2.5 – 10                           |            |            |            |
| Tilt Accuracy                               | °   | < 0.4                              | < 0.5      | < 0.5      | < 0.4      |
| First Upper Side Lobe Suppression           | dB  | > 15                               | > 17       | > 17       | > 19       |
| Cross Polar Isolation                       | dB  | > 25                               |            |            |            |
| Port to Port Isolation                      | dB  | > 25 (R1 // R2, Y1, Y2, Y3, Y4)    |            |            |            |
| Max. Effective Power per Port               | W   | 400 (at 50 °C ambient temperature) |            |            |            |

Values based on NGMN-P-BASTA (version 10.0) requirements.

| Right side, lowband                         |     | R2, connector 3–4                  |            |            |            |
|---|-----|------------------------------------|------------|------------|------------|
| Frequency Range                             | MHz | 698 – 806                          | 791 – 862  | 824 – 894  | 880 – 960  |
| Gain at mid Tilt                            | dBi | 15.0                               | 15.7       | 16.0       | 16.4       |
| Gain over all Tilts                         | dBi | 15.0 ± 0.7                         | 15.7 ± 0.6 | 16.0 ± 0.6 | 16.4 ± 0.4 |
| <b>Horizontal Pattern:</b>                  |     |                                    |            |            |            |
| Azimuth Beamwidth                           | °   | 64 ± 4.8                           | 61 ± 3.6   | 59 ± 4.5   | 55 ± 4.9   |
| Front-to-Back Ratio, Total Power, ± 30°     | dB  | > 20                               | > 22       | > 24       | > 25       |
| <b>Vertical Pattern:</b>                    |     |                                    |            |            |            |
| Elevation Beamwidth                         | °   | 9.0 ± 0.7                          | 8.6 ± 0.4  | 8.3 ± 0.5  | 7.9 ± 0.5  |
| Electrical Downtilt continuously adjustable | °   | 2.5 – 10                           |            |            |            |
| Tilt Accuracy                               | °   | < 0.4                              | < 0.5      | < 0.5      | < 0.4      |
| First Upper Side Lobe Suppression           | dB  | > 15                               | > 18       | > 18       | > 20       |
| Cross Polar Isolation                       | dB  | > 25                               |            |            |            |
| Port to Port Isolation                      | dB  | > 25 (R2 // R1, Y1, Y2, Y3, Y4)    |            |            |            |
| Max. Effective Power per Port               | W   | 400 (at 50 °C ambient temperature) |            |            |            |

Values based on NGMN-P-BASTA (version 10.0) requirements.

| Left side, lower midband                    |     | Y1, connector 5–6                  |             |             |             |             |             |
|---|-----|------------------------------------|-------------|-------------|-------------|-------------|-------------|
| Frequency Range                             | MHz | 1427 – 1518                        | 1695 – 1880 | 1850 – 1990 | 1920 – 2170 | 2300 – 2400 | 2490 – 2690 |
| Gain at mid Tilt                            | dBi | 16.3                               | 17.1        | 17.5        | 17.6        | 17.2        | 17.2        |
| Gain over all Tilts                         | dBi | 16.2 ± 0.6                         | 17.0 ± 0.5  | 17.4 ± 0.7  | 17.6 ± 0.8  | 17.1 ± 0.8  | 17.1 ± 0.8  |
| <b>Horizontal Pattern:</b>                  |     |                                    |             |             |             |             |             |
| Azimuth Beamwidth                           | °   | 61 ± 5.1                           | 64 ± 4.4    | 65 ± 4.1    | 63 ± 4.3    | 66 ± 4.9    | 59 ± 4.2    |
| Front-to-Back Ratio, Total Power, ± 30°     | dB  | > 26                               | > 25        | > 25        | > 27        | > 26        | > 28        |
| <b>Vertical Pattern:</b>                    |     |                                    |             |             |             |             |             |
| Elevation Beamwidth                         | °   | 8.9 ± 0.5                          | 7.6 ± 0.5   | 7.1 ± 0.4   | 6.8 ± 0.5   | 6.3 ± 0.4   | 5.9 ± 0.4   |
| Electrical Downtilt continuously adjustable | °   | 2 – 12                             |             |             |             |             |             |
| Tilt Accuracy                               | °   | < 0.4                              | < 0.3       | < 0.3       | < 0.3       | < 0.4       | < 0.3       |
| First Upper Side Lobe Suppression           | dB  | > 14                               | > 17        | > 16        | > 17        | > 17        | > 18        |
| Cross Polar Isolation                       | dB  | > 25                               |             |             |             |             |             |
| Port to Port Isolation                      | dB  | > 25 (Y1 // R1, R2, Y2, Y3, Y4)    |             |             |             |             |             |
| Max. Effective Power per Port               | W   | 200 (at 50 °C ambient temperature) |             |             |             |             |             |

Values based on NGMN-P-BASTA (version 10.0) requirements.

| Left side, upper midband                    |     | Y2, connector 7–8                  |             |             |             |             |
|---|-----|------------------------------------|-------------|-------------|-------------|-------------|
| Frequency Range                             | MHz | 1695 – 1880                        | 1850 – 1990 | 1920 – 2170 | 2300 – 2400 | 2500 – 2690 |
| Gain at mid Tilt                            | dBi | 16.4                               | 16.8        | 16.8        | 16.6        | 16.6        |
| Gain over all Tilts                         | dBi | 16.4 ± 0.5                         | 16.7 ± 0.6  | 16.8 ± 0.6  | 16.5 ± 0.6  | 16.5 ± 0.6  |
| <b>Horizontal Pattern:</b>                  |     |                                    |             |             |             |             |
| Azimuth Beamwidth                           | °   | 63 ± 4.5                           | 64 ± 3.6    | 62 ± 4.4    | 64 ± 5.7    | 60 ± 5.3    |
| Front-to-Back Ratio, Total Power, ± 30°     | dB  | > 25                               | > 25        | > 28        | > 27        | > 27        |
| <b>Vertical Pattern:</b>                    |     |                                    |             |             |             |             |
| Elevation Beamwidth                         | °   | 7.8 ± 0.6                          | 7.2 ± 0.3   | 6.9 ± 0.5   | 6.3 ± 0.4   | 5.8 ± 0.4   |
| Electrical Downtilt continuously adjustable | °   | 2 – 12                             |             |             |             |             |
| Tilt Accuracy                               | °   | < 0.3                              | < 0.3       | < 0.3       | < 0.2       | < 0.2       |
| First Upper Side Lobe Suppression           | dB  | > 16                               | > 15        | > 16        | > 19        | > 20        |
| Cross Polar Isolation                       | dB  | > 25                               |             |             |             |             |
| Port to Port Isolation                      | dB  | > 25 (Y2 // R1, R2, Y1, Y3, Y4)    |             |             |             |             |
| Max. Effective Power per Port               | W   | 200 (at 50 °C ambient temperature) |             |             |             |             |

Values based on NGMN-P-BASTA (version 10.0) requirements.

| Right side, lower midband                   |     | Y3, connector 9 – 10               |             |             |             |             |             |
|---|-----|------------------------------------|-------------|-------------|-------------|-------------|-------------|
| Frequency Range                             | MHz | 1427 – 1518                        | 1695 – 1880 | 1850 – 1990 | 1920 – 2170 | 2300 – 2400 | 2490 – 2690 |
| Gain at mid Tilt                            | dBi | 16.2                               | 17.1        | 17.5        | 17.6        | 17.3        | 17.2        |
| Gain over all Tilts                         | dBi | 16.0 ± 0.6                         | 17.0 ± 0.4  | 17.4 ± 0.7  | 17.6 ± 0.8  | 17.1 ± 0.7  | 17.1 ± 0.7  |
| <b>Horizontal Pattern:</b>                  |     |                                    |             |             |             |             |             |
| Azimuth Beamwidth                           | °   | 61 ± 6.1                           | 65 ± 4.6    | 65 ± 4.4    | 63 ± 4.6    | 66 ± 4.8    | 59 ± 4.1    |
| Front-to-Back Ratio, Total Power, ± 30°     | dB  | > 26                               | > 24        | > 25        | > 25        | > 26        | > 27        |
| <b>Vertical Pattern:</b>                    |     |                                    |             |             |             |             |             |
| Elevation Beamwidth                         | °   | 9.0 ± 0.4                          | 7.7 ± 0.4   | 7.1 ± 0.4   | 6.8 ± 0.4   | 6.3 ± 0.4   | 5.9 ± 0.4   |
| Electrical Downtilt continuously adjustable | °   | 2 – 12                             |             |             |             |             |             |
| Tilt Accuracy                               | °   | < 0.3                              | < 0.3       | < 0.3       | < 0.3       | < 0.4       | < 0.3       |
| First Upper Side Lobe Suppression           | dB  | > 14                               | > 17        | > 17.0      | > 18        | > 17        | > 18        |
| Cross Polar Isolation                       | dB  | > 25                               |             |             |             |             |             |
| Port to Port Isolation                      | dB  | > 25 (Y3 // R1, R2, Y1, Y2, Y4)    |             |             |             |             |             |
| Max. Effective Power per Port               | W   | 200 (at 50 °C ambient temperature) |             |             |             |             |             |

Values based on NGMN-P-BASTA (version 10.0) requirements.

| Right side, upper midband                   |     | Y4, connector 11 – 12              |             |             |             |             |
|---|-----|------------------------------------|-------------|-------------|-------------|-------------|
| Frequency Range                             | MHz | 1695 – 1880                        | 1850 – 1990 | 1920 – 2170 | 2300 – 2400 | 2490 – 2690 |
| Gain at mid Tilt                            | dBi | 16.4                               | 16.8        | 16.9        | 16.6        | 16.6        |
| Gain over all Tilts                         | dBi | 16.4 ± 0.4                         | 16.7 ± 0.6  | 16.8 ± 0.7  | 16.5 ± 0.6  | 16.5 ± 0.7  |
| <b>Horizontal Pattern:</b>                  |     |                                    |             |             |             |             |
| Azimuth Beamwidth                           | °   | 64 ± 5.1                           | 64 ± 4.5    | 61 ± 4.2    | 64 ± 5.4    | 60 ± 5.7    |
| Front-to-Back Ratio, Total Power, ± 30°     | dB  | > 25                               | > 25        | > 27        | > 27        | > 26        |
| <b>Vertical Pattern:</b>                    |     |                                    |             |             |             |             |
| Elevation Beamwidth                         | °   | 7.7 ± 0.6                          | 7.2 ± 0.4   | 6.9 ± 0.5   | 6.3 ± 0.4   | 5.7 ± 0.5   |
| Electrical Downtilt continuously adjustable | °   | 2 – 12                             |             |             |             |             |
| Tilt Accuracy                               | °   | < 0.3                              | < 0.3       | < 0.3       | < 0.2       | < 0.3       |
| First Upper Side Lobe Suppression           | dB  | > 16                               | > 16        | > 16        | > 21        | > 19        |
| Cross Polar Isolation                       | dB  | > 25                               |             |             |             |             |
| Port to Port Isolation                      | dB  | > 25 (Y4 // R1, R2, Y1, Y2, Y3)    |             |             |             |             |
| Max. Effective Power per Port               | W   | 200 (at 50 °C ambient temperature) |             |             |             |             |

Values based on NGMN-P-BASTA (version 10.0) requirements.

## Electrical specifications, all ports

|                                      |            |                                     |
|--------------------------------------|------------|-------------------------------------|
| Impedance                            | $\Omega$   | 50                                  |
| VSWR                                 |            | < 1.5                               |
| Return Loss                          | dB         | > 14                                |
| Interband Isolation                  | dB         | > 25                                |
| Passive Intermodulation              | dBc        | < -153 (2 x 43 dBm carrier)*        |
| Polarization                         | $^{\circ}$ | +45, -45                            |
| Max. Effective Power for the Antenna | W          | 1200 (at 50 °C ambient temperature) |

Values based on NGMN-P-BASTA (version 10.0) requirements.

\* not applicable for L-band

## Mechanical specifications

|   |   |  |
|---|---|--|
| Input                                     | 12x 4.3-10 female   |  |
| Connector Position                        | bottom  |  |
| Adjustment Mechanism                      | FlexRET, continuously adjustable                                  |  |
| Wind load (at Rated Wind Speed: 150 km/h) | N   lbf   | Frontal: 630   142<br>Maximal: 1110   249                  |
| Max. Wind Velocity                        | km/h<br>mph   | 241<br>150   |
| Height / Width / Depth                    | mm<br>inches  | 2591 / 378 / 164<br>102 / 14.9 / 6.5                       |
| Category of Mounting Hardware             | XM (X-Medium)   |  |
| Weight                                    | kg<br>lb  | 47.0 / 51.5 (clamps incl.)<br>103.6 / 113.5 (clamps incl.) |
| Packing Size                              | mm<br>inches  | 2739 / 440 / 293<br>107.8 / 17.3 / 11.5                    |
| Scope of Supply                           | Panel, FlexRET and clamps for 55–115 mm   2.2–4.5 inches diameter |  |

## Accessories (order separately if required)

| Product No.   | Description          | Remarks<br>mm   inches  | Units per antenna |
|---------------|----------------------|---|-------------------|
| 85010097      | 2 clamps             | Mast diameter: 110–220   4.3–8.7                                  | 1                 |
| 85010110      | 1 downtilt kit       | Downtilt angle: 0°–9°   | 1                 |
| 86010154      | Site Sharing Adapter | 3-way (see figure below)  |                   |
| 86010155      | Site Sharing Adapter | 6-way (see figure below)  |                   |
| 86010162      | Gender Adapter       | Solely to be used in combination with a compatible FlexRET module | 1                 |
| KRY 121 108/1 | Port Extender        |   | 1                 |

## Accessories (included in the scope of supply)

| Product No. | Description | Remarks<br>mm   inches                      | Units per antenna |
|-------------|-------------|---|-------------------|
| 85010111    | 2 clamps    | Mast diameter: 55–115   2.2–4.5             | 1                 |
| 86010165    | FlexRET     | Compliant to 3GPP / AISG 2.0 – AISG 3 ready | 1                 |

For downtilt mounting use the clamps for an appropriate mast diameter together with the downtilt kit. Wall mounting: No additional mounting kit needed.

## Material:

**Reflector screen:** Aluminum.

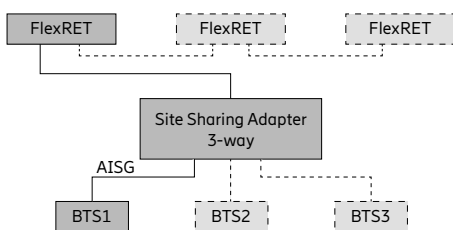
**Fiberglass housing:** It covers totally the internal antenna components. The special design reduces the sealing areas to a minimum and guarantees the best weather protection. Fiberglass material guarantees optimum performance with regards to stability, stiffness, UV resistance and painting. The color of the radome is light grey.

**All nuts and bolts:** Stainless steel or hot-dip galvanized steel.

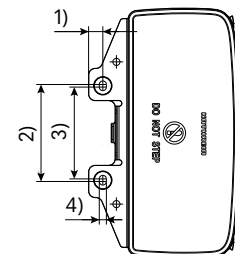
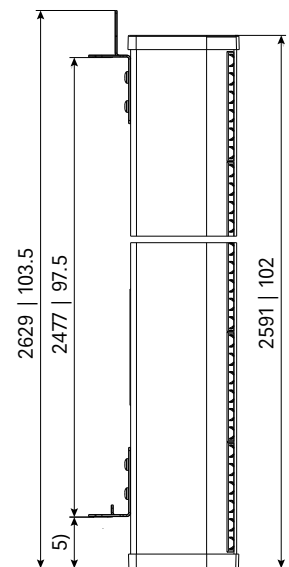
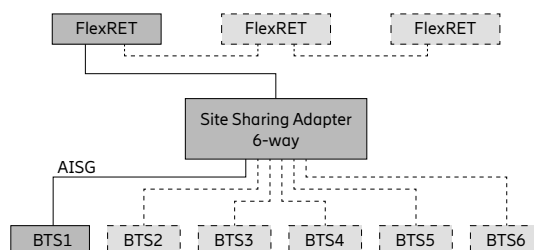
## Grounding:

The metal parts of the antenna including the mounting kit and the inner conductors are DC grounded.

## Configuration example with Site Sharing Adapter 86010154



## Configuration example with Site Sharing Adapter 86010155



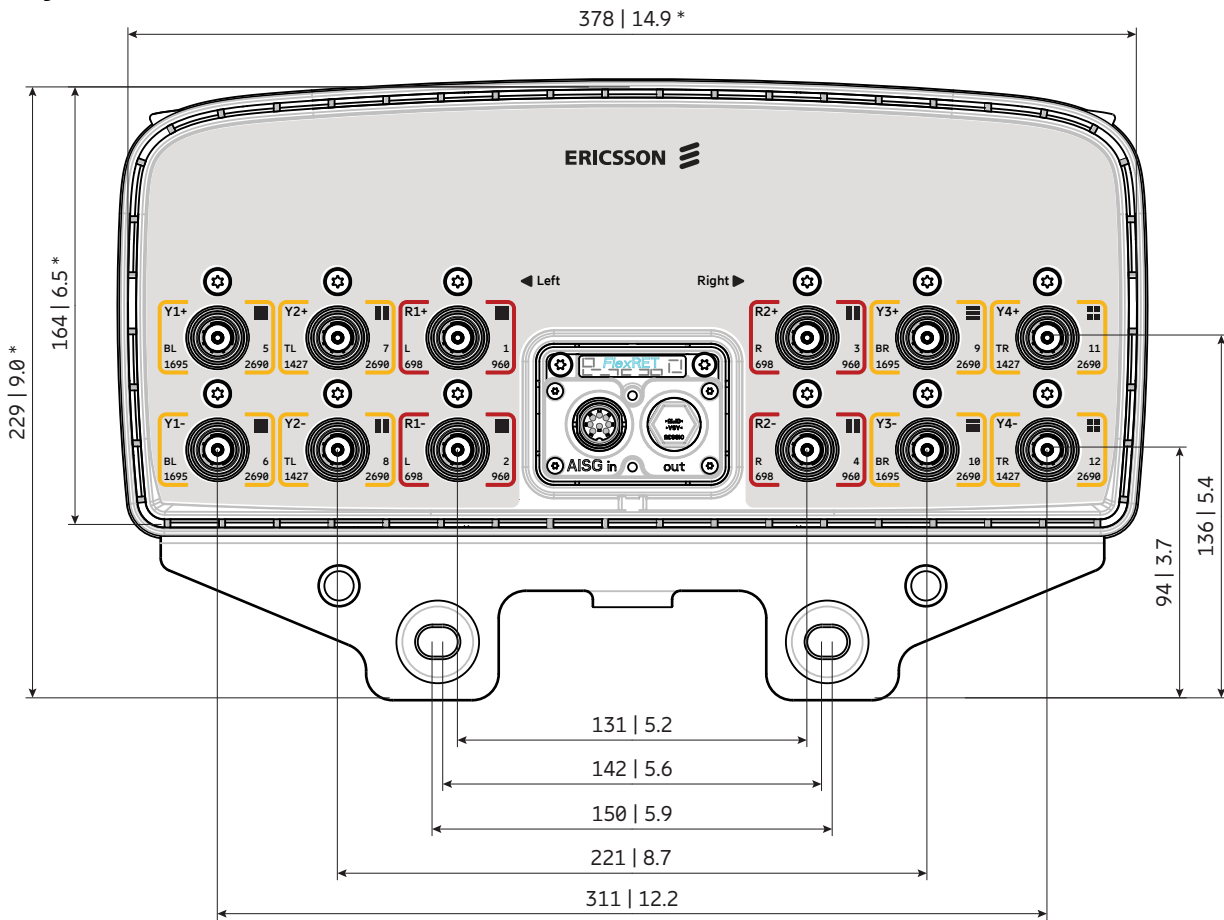
- 1) 22 | 0.9
- 2) 150 | 5.9
- 3) 142 | 5.6
- 4) 11 | 0.4
- 5) 79 | 3.1

All dimensions  
in mm | inches

For more information please refer to the respective data sheets.



## Layout of interface

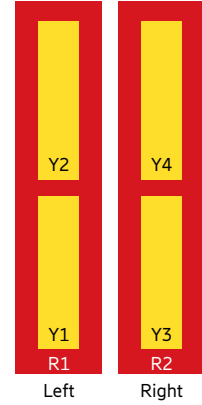


Bottom view  
\* Dimensions refer to radome  
All dimensions in mm | inches

## Correlation Table

| Frequency range | Array | Connector / Ports |
|-----------------|-------|-------------------|
| 698–960 MHz     | R1    | 1–2               |
| 698–960 MHz     | R2    | 3–4               |
| 1427–2690 MHz   | Y1    | 5–6               |
| 1695–2690 MHz   | Y2    | 7–8               |
| 1427–2690 MHz   | Y3    | 9–10              |
| 1695–2690 MHz   | Y4    | 11–12             |





# Antenna 4200 2L 4M 2.7m

80010992

Capacity    Compact    Coverage

65° | 2x 698–960 MHz | 16.5 dBi  
65° | 4x 1695–2690 MHz | 17.5 dBi  
FlexRET



[ericsson.com/antenna-system](https://ericsson.com/antenna-system)



Scan or [click](#)

| Left side, lowband                          |     | R1, connector 1 – 2  |            |            |            |
|---|-----|--|------------|------------|------------|
| Frequency Range                             | MHz | 698 – 806  | 791 – 862  | 824 – 894  | 880 – 960  |
| Gain at mid Tilt                            | dBi | 15.7   | 16.1       | 16.4       | 16.5       |
| Gain over all Tilts                         | dBi | 15.7 ± 0.4   | 16.1 ± 0.3 | 16.3 ± 0.3 | 16.4 ± 0.3 |
| <b>Horizontal Pattern:</b>                  |     |  |            |            |            |
| Azimuth Beamwidth                           | °   | 66 ± 2.9   | 65 ± 2.3   | 65 ± 2.6   | 64 ± 2.9   |
| Front-to-Back Ratio, Total Power, ± 30°     | dB  | > 23   | > 23       | > 24       | > 25       |
| <b>Vertical Pattern:</b>                    |     |  |            |            |            |
| Elevation Beamwidth                         | °   | 9.7 ± 0.7  | 9.0 ± 0.5  | 8.7 ± 0.5  | 8.3 ± 0.4  |
| Electrical Downtilt continuously adjustable | °   | 1 – 10   |            |            |            |
| Tilt Accuracy                               | °   | < 0.4  | < 0.4      | < 0.4      | < 0.4      |
| First Upper Side Lobe Suppression           | dB  | > 16   | > 18       | > 18       | > 20       |
| Cross Polar Isolation                       | dB  | > 28, typically 30   |            |            |            |
| Port to Port Isolation                      | dB  | > 27, typically 30 (R1 // R2, Y2)<br>> 30 (R1 // Y1, Y3, Y4) |            |            |            |
| Max. Effective Power per Port               | W   | 400 (at 50 °C ambient temperature)                           |            |            |            |
| Max. Effective Power Ports R1               | W   | 800 (at 50 °C ambient temperature)                           |            |            |            |

Values based on NGMN-P-BASTA (version 9.6) requirements.

| Right side, lowband                         |     | R2, connector 3 – 4  |            |            |            |
|---|-----|--|------------|------------|------------|
| Frequency Range                             | MHz | 698 – 806  | 791 – 862  | 824 – 894  | 880 – 960  |
| Gain at mid Tilt                            | dBi | 15.5   | 16.0       | 16.3       | 16.6       |
| Gain over all Tilts                         | dBi | 15.5 ± 0.5   | 16.0 ± 0.5 | 16.3 ± 0.4 | 16.5 ± 0.3 |
| <b>Horizontal Pattern:</b>                  |     |  |            |            |            |
| Azimuth Beamwidth                           | °   | 67 ± 3.5   | 65 ± 2.6   | 64 ± 3.0   | 63 ± 4.3   |
| Front-to-Back Ratio, Total Power, ± 30°     | dB  | > 22   | > 23       | > 24       | > 26       |
| <b>Vertical Pattern:</b>                    |     |  |            |            |            |
| Elevation Beamwidth                         | °   | 9.8 ± 0.6  | 9.0 ± 0.7  | 8.6 ± 0.4  | 8.1 ± 0.5  |
| Electrical Downtilt continuously adjustable | °   | 1 – 10   |            |            |            |
| Tilt Accuracy                               | °   | < 0.4  | < 0.4      | < 0.4      | < 0.3      |
| First Upper Side Lobe Suppression           | dB  | > 18   | > 21       | > 20       | > 20       |
| Cross Polar Isolation                       | dB  | > 28, typically 30   |            |            |            |
| Port to Port Isolation                      | dB  | > 27, typically 30 (R2 // R1, Y4)<br>> 30 (R2 // Y1, Y2, Y3) |            |            |            |
| Max. Effective Power per Port               | W   | 400 (at 50 °C ambient temperature)                           |            |            |            |
| Max. Effective Power Ports R2               | W   | 800 (at 50 °C ambient temperature)                           |            |            |            |

Values based on NGMN-P-BASTA (version 9.6) requirements.

| Left side, lower midband                    |     | Y1, connector 5–6                  |             |             |             |             |
|---|-----|------------------------------------|-------------|-------------|-------------|-------------|
| Frequency Range                             | MHz | 1695 – 1880                        | 1850 – 1990 | 1920 – 2170 | 2300 – 2400 | 2500 – 2690 |
| Gain at mid Tilt                            | dBi | 17.0                               | 17.3        | 17.6        | 17.1        | 17.0        |
| Gain over all Tilts                         | dBi | 17.0 ± 0.4                         | 17.3 ± 0.4  | 17.5 ± 0.5  | 17.0 ± 0.4  | 16.9 ± 0.5  |
| <b>Horizontal Pattern:</b>                  |     |                                    |             |             |             |             |
| Azimuth Beamwidth                           | °   | 63 ± 4.9                           | 63 ± 5.3    | 60 ± 6.0    | 60 ± 5.5    | 61 ± 7.6    |
| Front-to-Back Ratio, Total Power, ± 30°     | dB  | > 23                               | > 25        | > 25        | > 24        | > 23        |
| <b>Vertical Pattern:</b>                    |     |                                    |             |             |             |             |
| Elevation Beamwidth                         | °   | 7.4 ± 0.3                          | 6.9 ± 0.3   | 6.5 ± 0.5   | 5.8 ± 0.3   | 5.2 ± 0.3   |
| Electrical Downtilt continuously adjustable | °   | 2.5 – 12                           |             |             |             |             |
| Tilt Accuracy                               | °   | < 0.3                              | < 0.2       | < 0.2       | < 0.2       | < 0.2       |
| First Upper Side Lobe Suppression           | dB  | > 19                               | > 20        | > 19        | > 18        | > 17        |
| Cross Polar Isolation                       | dB  | > 26, typically 30                 |             |             |             |             |
| Port to Port Isolation                      | dB  | > 30 (Y1 // R1, R2, Y2, Y3, Y4)    |             |             |             |             |
| Max. Effective Power per Port               | W   | 200 (at 50 °C ambient temperature) |             |             |             |             |
| Max. Effective Power Ports Y1               | W   | 400 (at 50 °C ambient temperature) |             |             |             |             |

Values based on NGMN-P-BASTA (version 9.6) requirements.

| Left side, upper midband                    |     | Y2, connector 7–8                  |             |             |             |             |
|---|-----|------------------------------------|-------------|-------------|-------------|-------------|
| Frequency Range                             | MHz | 1695 – 1880                        | 1850 – 1990 | 1920 – 2170 | 2300 – 2400 | 2500 – 2690 |
| Gain at mid Tilt                            | dBi | 16.9                               | 17.4        | 17.5        | 17.1        | 17.0        |
| Gain over all Tilts                         | dBi | 16.9 ± 0.6                         | 17.3 ± 0.4  | 17.5 ± 0.5  | 17.1 ± 0.5  | 16.9 ± 0.4  |
| <b>Horizontal Pattern:</b>                  |     |                                    |             |             |             |             |
| Azimuth Beamwidth                           | °   | 64 ± 5.7                           | 62 ± 5.4    | 60 ± 5.8    | 58 ± 4.6    | 60 ± 4.3    |
| Front-to-Back Ratio, Total Power, ± 30°     | dB  | > 25                               | > 25        | > 26        | > 24        | > 23        |
| <b>Vertical Pattern:</b>                    |     |                                    |             |             |             |             |
| Elevation Beamwidth                         | °   | 6.9 ± 0.6                          | 6.3 ± 0.3   | 5.9 ± 0.5   | 5.2 ± 0.2   | 4.8 ± 0.3   |
| Electrical Downtilt continuously adjustable | °   | 2.5 – 12                           |             |             |             |             |
| Tilt Accuracy                               | °   | < 0.2                              | < 0.2       | < 0.2       | < 0.2       | < 0.2       |
| First Upper Side Lobe Suppression           | dB  | > 16                               | > 16        | > 15        | > 15        | > 15        |
| Cross Polar Isolation                       | dB  | > 26, typically 30                 |             |             |             |             |
| Port to Port Isolation                      | dB  | > 30 (Y2 // R1, R2, Y1, Y3, Y4)    |             |             |             |             |
| Max. Effective Power per Port               | W   | 200 (at 50 °C ambient temperature) |             |             |             |             |
| Max. Effective Power Ports Y2               | W   | 400 (at 50 °C ambient temperature) |             |             |             |             |

Values based on NGMN-P-BASTA (version 9.6) requirements.

## Right side, lower midband

## Y3, connector 9 – 10

| Frequency Range                             | MHz | 1695 – 1880                        | 1850 – 1990 | 1920 – 2170 | 2300 – 2400 | 2500 – 2690 |
|---|-----|------------------------------------|-------------|-------------|-------------|-------------|
| Gain at mid Tilt                            | dBi | 17.1                               | 17.3        | 17.7        | 17.3        | 16.9        |
| Gain over all Tilts                         | dBi | 17.0 ± 0.5                         | 17.3 ± 0.5  | 17.6 ± 0.7  | 17.1 ± 0.5  | 16.9 ± 0.6  |
| <b>Horizontal Pattern:</b>                  |     |                                    |             |             |             |             |
| Azimuth Beamwidth                           | °   | 64 ± 5.0                           | 64 ± 7.5    | 60 ± 9.1    | 56 ± 5.8    | 59 ± 8.6    |
| Front-to-Back Ratio, Total Power, ± 30°     | dB  | > 23                               | > 24        | > 25        | > 22        | > 22        |
| <b>Vertical Pattern:</b>                    |     |                                    |             |             |             |             |
| Elevation Beamwidth                         | °   | 7.4 ± 0.4                          | 6.8 ± 0.4   | 6.4 ± 0.6   | 5.7 ± 0.2   | 5.1 ± 0.3   |
| Electrical Downtilt continuously adjustable | °   | 2.5 – 12                           |             |             |             |             |
| Tilt Accuracy                               | °   | < 0.2                              | < 0.2       | < 0.2       | < 0.2       | < 0.2       |
| First Upper Side Lobe Suppression           | dB  | > 17                               | > 17        | > 17        | > 16        | > 16        |
| Cross Polar Isolation                       | dB  | > 26, typically 30                 |             |             |             |             |
| Port to Port Isolation                      | dB  | > 30 (Y3 // R1, R2, Y1, Y2, Y4)    |             |             |             |             |
| Max. Effective Power per Port               | W   | 200 (at 50 °C ambient temperature) |             |             |             |             |
| Max. Effective Power Ports Y3               | W   | 400 (at 50 °C ambient temperature) |             |             |             |             |

Values based on NGMN-P-BASTA (version 9.6) requirements.

## Right side, upper midband

## Y4, connector 11 – 12

| Frequency Range                             | MHz | 1695 – 1880                        | 1850 – 1990 | 1920 – 2170 | 2300 – 2400 | 2500 – 2690 |
|---|-----|------------------------------------|-------------|-------------|-------------|-------------|
| Gain at mid Tilt                            | dBi | 17.1                               | 17.4        | 17.6        | 17.2        | 17.1        |
| Gain over all Tilts                         | dBi | 17.0 ± 0.6                         | 17.4 ± 0.4  | 17.5 ± 0.5  | 17.1 ± 0.5  | 16.9 ± 0.6  |
| <b>Horizontal Pattern:</b>                  |     |                                    |             |             |             |             |
| Azimuth Beamwidth                           | °   | 65 ± 5.2                           | 61 ± 4.3    | 60 ± 4.7    | 57 ± 4.4    | 61 ± 6.9    |
| Front-to-Back Ratio, Total Power, ± 30°     | dB  | > 24                               | > 25        | > 26        | > 26        | > 23        |
| <b>Vertical Pattern:</b>                    |     |                                    |             |             |             |             |
| Elevation Beamwidth                         | °   | 6.9 ± 0.6                          | 6.3 ± 0.3   | 6.0 ± 0.5   | 5.2 ± 0.3   | 4.8 ± 0.3   |
| Electrical Downtilt continuously adjustable | °   | 2.5 – 12                           |             |             |             |             |
| Tilt Accuracy                               | °   | < 0.2                              | < 0.2       | < 0.2       | < 0.1       | < 0.2       |
| First Upper Side Lobe Suppression           | dB  | > 17                               | > 17        | > 17        | > 16        | > 17        |
| Cross Polar Isolation                       | dB  | > 26, typically 30                 |             |             |             |             |
| Port to Port Isolation                      | dB  | > 30 (Y4 // R1, R2, Y1, Y2, Y3)    |             |             |             |             |
| Max. Effective Power per Port               | W   | 200 (at 50 °C ambient temperature) |             |             |             |             |
| Max. Effective Power Ports Y4               | W   | 400 (at 50 °C ambient temperature) |             |             |             |             |

Values based on NGMN-P-BASTA (version 9.6) requirements.

## Electrical specifications, all ports

|                                      |            |                                     |
|--------------------------------------|------------|-------------------------------------|
| Impedance                            | $\Omega$   | 50                                  |
| VSWR                                 |            | < 1.5                               |
| Return Loss                          | dB         | > 14                                |
| Interband Isolation                  | dB         | > 27                                |
| Passive Intermodulation              | dBc        | < -153 (2 x 43 dBm carrier)         |
| Polarization                         | $^{\circ}$ | +45, -45                            |
| Max. Effective Power for the Antenna | W          | 1300 (at 50 °C ambient temperature) |

Values based on NGMN-P-BASTA (version 9.6) requirements.

## Mechanical specifications

|   |   |  |
|---|---|--|
| Input                                     | 12x 4.3-10 female   |  |
| Connector Position                        | bottom  |  |
| Adjustment Mechanism                      | FlexRET, continuously adjustable                                  |  |
| Wind load (at Rated Wind Speed: 150 km/h) | N   lbf   | Frontal: 1545   347<br>Maximal: 1555   350                 |
| Max. Wind Velocity                        | km/h<br>mph   | 241<br>150   |
| Height / Width / Depth                    | mm<br>inches  | 2671 / 508 / 175<br>105.2 / 20.0 / 6.9                     |
| Category of Mounting Hardware             | XH (X-Heavy)  |  |
| Weight                                    | kg<br>lb  | 57.0 / 62.0 (clamps incl.)<br>125.7 / 136.7 (clamps incl.) |
| Packing Size                              | mm<br>inches  | 2870 / 542 / 268<br>113.0 / 21.3 / 10.6                    |
| Scope of Supply                           | Panel, FlexRET and clamps for 55–115 mm   2.2–4.5 inches diameter |  |

## Accessories (order separately if required)

| Product No.   | Description          | Remarks<br>mm   inches  | Units per antenna |
|---------------|----------------------|---|-------------------|
| 85010097      | 2 clamps             | Mast diameter: 110–220   4.3–8.7                                  | 1                 |
| 85010099      | 1 downtilt kit       | Downtilt angle: 0°–9°   | 1                 |
| 86010154      | Site Sharing Adapter | 3-way (see figure below)  |                   |
| 86010155      | Site Sharing Adapter | 6-way (see figure below)  |                   |
| 86010162      | Gender Adapter       | Solely to be used in combination with a compatible FlexRET module | 1                 |
| KRY 121 108/1 | Port Extender        |   | 1                 |

## Accessories (included in the scope of supply)

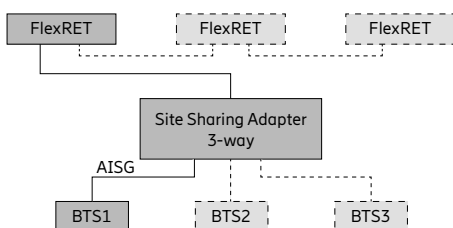
| Product No. | Description | Remarks<br>mm   inches          | Units per antenna |
|-------------|-------------|---------------------------------|-------------------|
| 85010096    | 2 clamps    | Mast diameter: 55–115   2.2–4.5 | 1                 |
| 86010153V01 | FlexRET     | Compliant to 3GPP / AISG 2.0    | 1                 |

For downtilt mounting use the clamps for an appropriate mast diameter together with the downtilt kit. Wall mounting: No additional mounting kit needed.

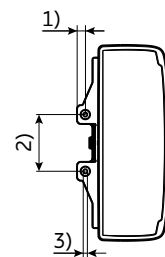
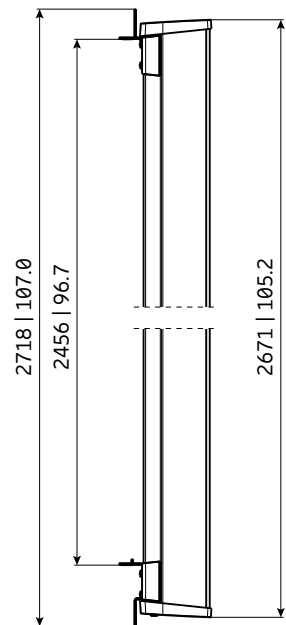
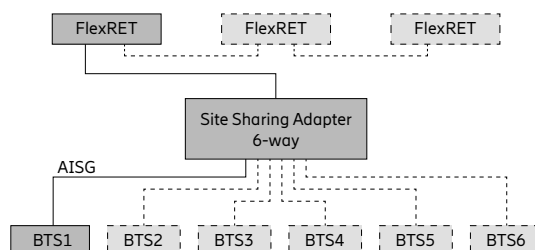
**Material:** **Reflector screen:** Aluminum.  
**Fiberglass housing:** It covers totally the internal antenna components. The special design reduces the sealing areas to a minimum and guarantees the best weather protection. Fiberglass material guarantees optimum performance with regards to stability, stiffness, UV resistance and painting. The color of the radome is light grey.  
**All nuts and bolts:** Stainless steel or hot-dip galvanized steel.

**Grounding:** The metal parts of the antenna including the mounting kit and the inner conductors are DC grounded.

## Configuration example with Site Sharing Adapter 86010154



## Configuration example with Site Sharing Adapter 86010155

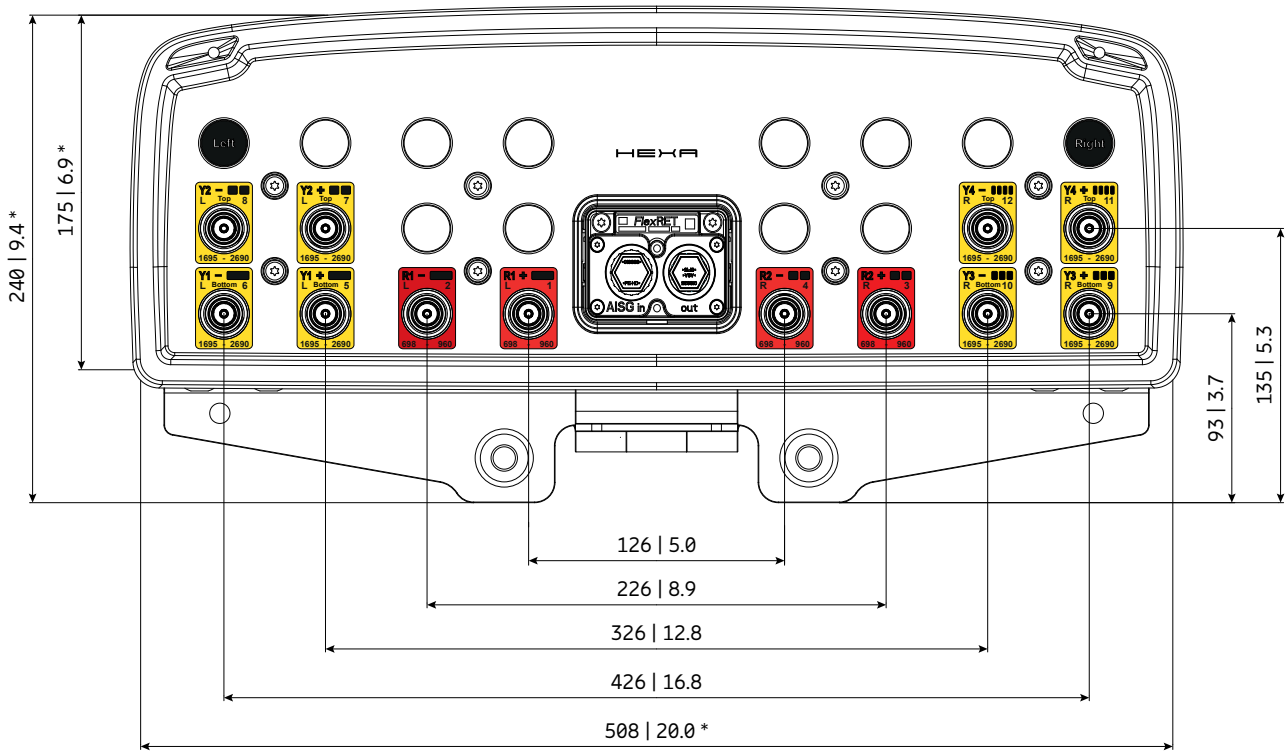


- 1) 23 | 0.9
- 2) 150 | 5.9
- 3) 11 | 0.4

All dimensions in mm | inches

For more information please refer to the respective data sheets.

## Layout of interface

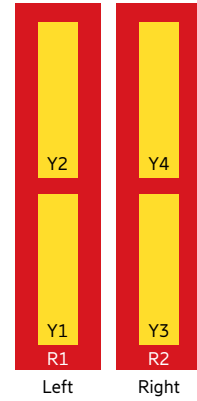


Bottom view  
\* Dimensions refer to radome  
All dimensions in mm | inches

## Correlation Table

| Frequency range | Array | Connector / Ports |
|-----------------|-------|-------------------|
| 698–960 MHz     | R1    | 1–2               |
| 698–960 MHz     | R2    | 3–4               |
| 1695–2690 MHz   | Y1    | 5–6               |
| 1695–2690 MHz   | Y2    | 7–8               |
| 1695–2690 MHz   | Y3    | 9–10              |
| 1695–2690 MHz   | Y4    | 11–12             |





# Antenna 4207 2L 4M 2.6m

KRE 101 2568/1

Capacity    Compact    Coverage

65° | 2x 698–960 MHz | 16.5 dBi  
65° | 4x 1695–2690 MHz | 17.0 dBi  
Electrical downtilt set by integrated RET



[ericsson.com/antenna-system](https://ericsson.com/antenna-system)



Scan or [click](#)



| Left side, lowband                          |     | R1, connector 1–2                  |            |            |            |
|---|-----|------------------------------------|------------|------------|------------|
| Frequency Range                             | MHz | 698 – 806                          | 791 – 862  | 824 – 894  | 880 – 960  |
| Gain at mid Tilt                            | dBi | 15.4                               | 16.0       | 16.1       | 16.5       |
| Gain over all Tilts                         | dBi | 15.4 ± 0.5                         | 16.0 ± 0.3 | 16.1 ± 0.4 | 16.5 ± 0.4 |
| <b>Horizontal Pattern:</b>                  |     |                                    |            |            |            |
| Azimuth Beamwidth                           | °   | 67.5 ± 4.4                         | 65.4 ± 3.1 | 65.1 ± 3.4 | 62.4 ± 2.2 |
| Front-to-Back Ratio, Total Power, ± 30°     | dB  | > 22                               | > 23       | > 23       | > 23       |
| <b>Vertical Pattern:</b>                    |     |                                    |            |            |            |
| Elevation Beamwidth                         | °   | 9.5 ± 0.7                          | 8.7 ± 0.4  | 8.4 ± 0.4  | 8.0 ± 0.4  |
| Electrical Downtilt continuously adjustable | °   | 1.0 – 10.0                         |            |            |            |
| Tilt Accuracy                               | °   | < 0.6                              | < 0.6      | < 0.6      | < 0.5      |
| First Upper Side Lobe Suppression           | dB  | > 24                               | > 23       | > 23       | > 25       |
| Cross Polar Isolation                       | dB  | > 27                               |            |            |            |
| Port to Port Isolation                      | dB  | 27 (R1 // R2, Y1, Y2 Y3, Y4)       |            |            |            |
| Max. Effective Power per Port               | W   | 200 (at 40 °C ambient temperature) |            |            |            |
| Max. Effective Power Ports R1               | W   | 400 (at 40 °C ambient temperature) |            |            |            |

Values based on NGMN-P-BASTA (version 11.1) requirements.

| Right side, lowband                         |     | R2, connector 3–4                  |            |            |            |
|---|-----|------------------------------------|------------|------------|------------|
| Frequency Range                             | MHz | 698 – 806                          | 791 – 862  | 824 – 894  | 880 – 960  |
| Gain at mid Tilt                            | dBi | 15.3                               | 15.9       | 16.1       | 16.4       |
| Gain over all Tilts                         | dBi | 15.3 ± 0.5                         | 15.9 ± 0.4 | 16.0 ± 0.2 | 16.2 ± 0.4 |
| <b>Horizontal Pattern:</b>                  |     |                                    |            |            |            |
| Azimuth Beamwidth                           | °   | 70.3 ± 4.9                         | 66.5 ± 2.7 | 66.7 ± 2.4 | 63.8 ± 3.4 |
| Front-to-Back Ratio, Total Power, ± 30°     | dB  | > 21                               | > 23       | > 24       | > 23       |
| <b>Vertical Pattern:</b>                    |     |                                    |            |            |            |
| Elevation Beamwidth                         | °   | 9.4 ± 0.6                          | 8.6 ± 0.3  | 8.4 ± 0.3  | 8.0 ± 0.3  |
| Electrical Downtilt continuously adjustable | °   | 1.0 – 10.0                         |            |            |            |
| Tilt Accuracy                               | °   | < 0.4                              | < 0.4      | < 0.4      | < 0.4      |
| First Upper Side Lobe Suppression           | dB  | > 23                               | > 23       | > 23       | > 24       |
| Cross Polar Isolation                       | dB  | > 27                               |            |            |            |
| Port to Port Isolation                      | dB  | 27 (R2 // R1, Y1, Y2, Y3, Y4)      |            |            |            |
| Max. Effective Power per Port               | W   | 200 (at 40 °C ambient temperature) |            |            |            |
| Max. Effective Power Ports R2               | W   | 400 (at 40 °C ambient temperature) |            |            |            |

Values based on NGMN-P-BASTA (version 11.1) requirements.

| Left side, midband, bottom                  |     | Y1, connector 5–6                  |             |             |             |             |
|---|-----|------------------------------------|-------------|-------------|-------------|-------------|
| Frequency Range                             | MHz | 1695 – 1880                        | 1850 – 1990 | 1920 – 2170 | 2300 – 2400 | 2500 – 2690 |
| Gain at mid Tilt                            | dBi | 16.7                               | 17.0        | 16.9        | 16.9        | 17.2        |
| Gain over all Tilts                         | dBi | 16.7 ± 0.5                         | 17.0 ± 0.6  | 16.8 ± 0.7  | 16.8 ± 0.8  | 17.1 ± 0.9  |
| <b>Horizontal Pattern:</b>                  |     |                                    |             |             |             |             |
| Azimuth Beamwidth                           | °   | 66.3 ± 4.5                         | 67.5 ± 4.0  | 68.9 ± 5.7  | 61.1 ± 5.8  | 61.1 ± 5.9  |
| Front-to-Back Ratio, Total Power, ± 30°     | dB  | > 22                               | > 23        | > 22        | > 21        | > 21        |
| <b>Vertical Pattern:</b>                    |     |                                    |             |             |             |             |
| Elevation Beamwidth                         | °   | 8.0 ± 0.6                          | 7.3 ± 0.4   | 6.9 ± 0.5   | 6.1 ± 0.4   | 5.6 ± 0.3   |
| Electrical Downtilt continuously adjustable | °   | 2.0 – 12.0                         |             |             |             |             |
| Tilt Accuracy                               | °   | < 1.0                              | < 0.9       | < 0.9       | < 0.8       | < 0.9       |
| First Upper Side Lobe Suppression           | dB  | > 20                               | > 18        | > 16        | > 16        | > 16        |
| Cross Polar Isolation                       | dB  | > 27                               |             |             |             |             |
| Port to Port Isolation                      | dB  | 27 (Y1 // R2, R1, Y2, Y3, Y4)      |             |             |             |             |
| Max. Effective Power per Port               | W   | 175 (at 40 °C ambient temperature) |             |             |             |             |
| Max. Effective Power Ports Y1               | W   | 300 (at 40 °C ambient temperature) |             |             |             |             |

Values based on NGMN-P-BASTA (version 11.1) requirements.

| Left side, midband, top                     |     | Y2, connector 7–8                  |             |             |             |             |
|---|-----|------------------------------------|-------------|-------------|-------------|-------------|
| Frequency Range                             | MHz | 1695 – 1880                        | 1850 – 1990 | 1920 – 2170 | 2300 – 2400 | 2500 – 2690 |
| Gain at mid Tilt                            | dBi | 16.5                               | 16.7        | 16.7        | 16.5        | 16.9        |
| Gain over all Tilts                         | dBi | 16.5 ± 0.4                         | 16.6 ± 0.5  | 16.6 ± 0.7  | 16.5 ± 0.8  | 16.8 ± 0.9  |
| <b>Horizontal Pattern:</b>                  |     |                                    |             |             |             |             |
| Azimuth Beamwidth                           | °   | 68.6 ± 5.1                         | 68.3 ± 4.1  | 67.7 ± 3.2  | 63.9 ± 4.1  | 63.7 ± 7.5  |
| Front-to-Back Ratio, Total Power, ± 30°     | dB  | > 23                               | > 24        | > 23        | > 21        | > 22        |
| <b>Vertical Pattern:</b>                    |     |                                    |             |             |             |             |
| Elevation Beamwidth                         | °   | 7.9 ± 0.5                          | 7.4 ± 0.3   | 7.0 ± 0.5   | 6.0 ± 0.3   | 5.5 ± 0.5   |
| Electrical Downtilt continuously adjustable | °   | 2.0 – 12.0                         |             |             |             |             |
| Tilt Accuracy                               | °   | < 0.5                              | < 0.6       | < 0.7       | < 0.6       | < 0.7       |
| First Upper Side Lobe Suppression           | dB  | > 17                               | > 17        | > 16        | > 15        | > 16        |
| Cross Polar Isolation                       | dB  | > 27                               |             |             |             |             |
| Port to Port Isolation                      | dB  | 27 (Y2 // R2, R1, Y1, Y3, Y4)      |             |             |             |             |
| Max. Effective Power per Port               | W   | 175 (at 50 °C ambient temperature) |             |             |             |             |
| Max. Effective Power Ports Y2               | W   | 300 (at 50 °C ambient temperature) |             |             |             |             |

Values based on NGMN-P-BASTA (version 11.1) requirements.

## Right side, midband, bottom

## Y3, connector 9–10

| Frequency Range                             | MHz | 1695 – 1880                        | 1850 – 1990 | 1920 – 2170 | 2300 – 2400 | 2500 – 2690 |
|---|-----|------------------------------------|-------------|-------------|-------------|-------------|
| Gain at mid Tilt                            | dBi | 16.6                               | 17.0        | 16.9        | 17.0        | 17.3        |
| Gain over all Tilts                         | dBi | 16.6 ± 0.5                         | 16.9 ± 0.6  | 16.8 ± 0.8  | 16.9 ± 0.7  | 17.2 ± 0.9  |
| <b>Horizontal Pattern:</b>                  |     |                                    |             |             |             |             |
| Azimuth Beamwidth                           | °   | 68.4 ± 5.1                         | 67.7 ± 3.6  | 68.9 ± 5.0  | 61.9 ± 5.3  | 59.6 ± 5.2  |
| Front-to-Back Ratio, Total Power, ± 30°     | dB  | > 22                               | > 23        | > 21        | > 21        | > 22        |
| <b>Vertical Pattern:</b>                    |     |                                    |             |             |             |             |
| Elevation Beamwidth                         | °   | 7.9 ± 0.5                          | 7.2 ± 0.5   | 6.8 ± 0.6   | 6.0 ± 0.3   | 5.5 ± 0.3   |
| Electrical Downtilt continuously adjustable | °   | 2.0 – 12.0                         |             |             |             |             |
| Tilt Accuracy                               | °   | < 1.0                              | < 1.0       | < 1.0       | < 0.9       | < 0.9       |
| First Upper Side Lobe Suppression           | dB  | > 19                               | > 19        | > 18        | > 16        | > 16        |
| Cross Polar Isolation                       | dB  | > 27                               |             |             |             |             |
| Port to Port Isolation                      | dB  | 27 (Y3 // R2, R1, Y1, Y2, Y4)      |             |             |             |             |
| Max. Effective Power per Port               | W   | 175 (at 40 °C ambient temperature) |             |             |             |             |
| Max. Effective Power Ports Y3               | W   | 300 (at 40 °C ambient temperature) |             |             |             |             |

Values based on NGMN-P-BASTA (version 11.1) requirements.

## Right side, midband, top

## Y4, connector 11–12

| Frequency Range                             | MHz | 1695 – 1880                        | 1850 – 1990 | 1920 – 2170 | 2300 – 2400 | 2500 – 2690 |
|---|-----|------------------------------------|-------------|-------------|-------------|-------------|
| Gain at mid Tilt                            | dBi | 16.4                               | 16.6        | 16.6        | 16.6        | 17.0        |
| Gain over all Tilts                         | dBi | 16.4 ± 0.5                         | 16.5 ± 0.7  | 16.6 ± 0.7  | 16.5 ± 0.8  | 16.9 ± 0.9  |
| <b>Horizontal Pattern:</b>                  |     |                                    |             |             |             |             |
| Azimuth Beamwidth                           | °   | 69.7 ± 5.9                         | 68.0 ± 5.8  | 67.8 ± 4.5  | 63.3 ± 6.1  | 61.9 ± 6.0  |
| Front-to-Back Ratio, Total Power, ± 30°     | dB  | > 23                               | > 23        | > 24        | > 21        | > 23        |
| <b>Vertical Pattern:</b>                    |     |                                    |             |             |             |             |
| Elevation Beamwidth                         | °   | 7.9 ± 0.5                          | 7.4 ± 0.3   | 7.0 ± 0.6   | 6.0 ± 0.3   | 5.6 ± 0.4   |
| Electrical Downtilt continuously adjustable | °   | 2.0 – 12.0                         |             |             |             |             |
| Tilt Accuracy                               | °   | < 0.7                              | < 0.7       | < 0.8       | < 0.7       | < 0.7       |
| First Upper Side Lobe Suppression           | dB  | > 18                               | > 17        | > 16        | > 15        | > 17        |
| Cross Polar Isolation                       | dB  | > 27                               |             |             |             |             |
| Port to Port Isolation                      | dB  | 27 (Y4 // R2, R1, Y1, Y2, Y3)      |             |             |             |             |
| Max. Effective Power per Port               | W   | 175 (at 40 °C ambient temperature) |             |             |             |             |
| Max. Effective Power Ports Y4               | W   | 300 (at 40 °C ambient temperature) |             |             |             |             |

Values based on NGMN-P-BASTA (version 11.1) requirements.

## Electrical specifications, all ports

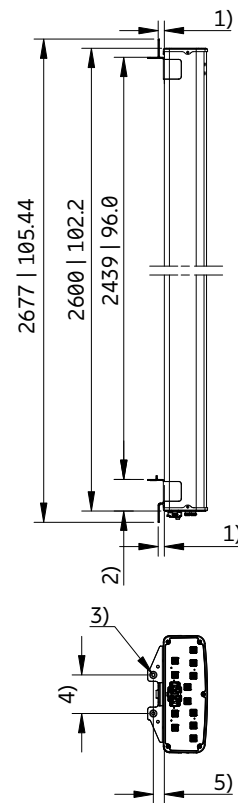
|                                      |          |                                     |
|--------------------------------------|----------|-------------------------------------|
| Impedance                            | $\Omega$ | 50                                  |
| VSWR                                 |          | < 1.5                               |
| Return Loss                          | dB       | > 14                                |
| Interband Isolation                  | dB       | > 27                                |
| Passive Intermodulation              | dBc      | < -153 (2 x 43 dBm carrier)         |
| Polarization                         | °        | -45, +45                            |
| Max. Effective Power for the Antenna | W        | 1000 (at 40° C ambient temperature) |

Values based on NGMN-P-BASTA (version 11.1) requirements.

## Mechanical specifications

|   |  |  |
|---|--|--|
| Input                                     | 12 x 4.3-10 female   |  |
| Connector Position                        | bottom   |  |
| Adjustment Mechanism                      | Integrated RET, continuously adjustable                                  |  |
| Wind load (at Rated Wind Speed: 150 km/h) | N   lbf  | Frontal: 1555   349<br>Maximal: 1710   384                 |
| Max. Wind Velocity                        | km/h<br>mph  | 241<br>150   |
| Height / Width / Depth                    | mm<br>inches   | 2600 / 448 / 164<br>102.4 / 17.6 / 6.5                     |
| Category of Mounting Hardware             | XH (X-Heavy)   |  |
| Weight (approx.)                          | kg<br>lb   | 49.9 / 54.9 (clamps incl.)<br>110.0 / 121.0 (clamps incl.) |
| Packing Size                              | mm<br>inches   | 2820 / 473 / 250<br>111.0 / 18.6 / 9.8                     |
| Scope of Supply                           | Panel, integrated RET and clamps for 55–115 mm   2.2–4.5 inches diameter |  |

- Material:** **Reflector screen and dipoles:** Aluminum.  
**Fiberglass housing:** It covers totally the internal antenna components. The special design reduces the sealing areas to a minimum and guarantees the best weather protection. Fiberglass material guarantees optimum performance with regards to stability, stiffness, UV resistance and painting. The color of the radome is light grey.  
**All nuts and bolts:** Stainless steel or hot-dip galvanized steel.
- Grounding:** The metal parts of the antenna including the mounting kit and the inner conductors are DC grounded.



- 1) 24 | 1.0  
2) 123 | 4.8  
3)  $\varnothing$ 11 | 0.4  
4) 150 | 5.9  
5) 43 | 1.7  
All dimensions  
in mm | inches





# Antenna 4800 2L 4M 1.8m

KRE 101 2526/1

Capacity    Compact    Coverage

65° | 2x 698–894 MHz | 15.0 dBi  
65° | 4x 1695–2360 MHz | 19.0 dBi  
FlexRET



[ericsson.com/antenna-system](https://ericsson.com/antenna-system)



Scan or [click](#)

2LB nMB

| Left side, lowband                                     |     | R1, connector 1–2                  |            |
|--|-----|------------------------------------|------------|
| Frequency Range  | MHz | 698 – 806                          | 824 – 894  |
| Gain at mid Tilt                                       | dBi | 13.9                               | 15.0       |
| Gain over all Tilts                                    | dBi | 13.9 ± 0.5                         | 15.0 ± 0.5 |
| <b>Horizontal Pattern:</b>                             |     |                                    |            |
| Azimuth Beamwidth                                      | °   | 70.0 ± 8.4                         | 58.7 ± 5.8 |
| Front-to-Back Ratio, Total Power, ± 30°                | dB  | > 22.7                             | > 24.3     |
| Cross Polar Discrimination at Boresight                | dB  | > 18.5                             | > 17.3     |
| Cross Polar Discrimination over Sector                 | dB  | 10.2                               | 8.5        |
| Azimuth Beam Squint                                    | °   | 1.4 ± 4.6                          | -1.2 ± 3.3 |
| Azimuth Beam Port-to-Port Tracking                     | dB  | 2.4                                | 3.2        |
| <b>Vertical Pattern:</b>                               |     |                                    |            |
| Elevation Beamwidth                                    | °   | 12.6 ± 0.6                         | 11.3 ± 0.4 |
| Electrical Downtilt continuously adjustable            | °   | 2.5 – 12.0                         |            |
| Tilt Accuracy  | °   | < 0.8                              | < 0.5      |
| First Upper Sidelobe Suppression                       | dB  | > 13.4                             | > 19.5     |
| Upper Sidelobe Suppression, 20° Sector above Main Beam | dB  | > 13.5                             | > 19.3     |
| Intra-Cluster Isolation                                | dB  | > 25                               |            |
| Port to Port Isolation                                 | dB  | > 25 (R1 // R2, Y1, Y2, Y3, Y4)    |            |
| Max. Effective Power per Port                          | W   | 400 (at 50 °C ambient temperature) |            |

Values based on NGMN-P-BASTA (version 11.1) requirements.

| Right side, lowband                                    |     | R2, connector 3–4                  |            |
|--|-----|------------------------------------|------------|
| Frequency Range  | MHz | 698 – 806                          | 824 – 894  |
| Gain at mid Tilt                                       | dBi | 13.9                               | 15.0       |
| Gain over all Tilts                                    | dBi | 13.9 ± 0.5                         | 15.0 ± 0.5 |
| <b>Horizontal Pattern:</b>                             |     |                                    |            |
| Azimuth Beamwidth                                      | °   | 70.7 ± 7.0                         | 59.5 ± 6.3 |
| Front-to-Back Ratio, Total Power, ± 30°                | dB  | > 22.8                             | > 24.9     |
| Cross Polar Discrimination at Boresight                | dB  | > 19.6                             | > 21.2     |
| Cross Polar Discrimination over Sector                 | dB  | 8.2                                | 8.8        |
| Azimuth Beam Squint                                    | °   | -3.2 ± 4.5                         | -1.5 ± 3.8 |
| Azimuth Beam Port-to-Port Tracking                     | dB  | 2.4                                | 3.2        |
| <b>Vertical Pattern:</b>                               |     |                                    |            |
| Elevation Beamwidth                                    | °   | 12.6 ± 0.6                         | 11.3 ± 0.4 |
| Electrical Downtilt continuously adjustable            | °   | 2.5 – 12.0                         |            |
| Tilt Accuracy  | °   | < 0.8                              | < 0.4      |
| First Upper Sidelobe Suppression                       | dB  | > 14.4                             | > 18.8     |
| Upper Sidelobe Suppression, 20° Sector above Main Beam | dB  | > 14.4                             | > 18.8     |
| Intra-Cluster Isolation                                | dB  | > 25                               |            |
| Port to Port Isolation                                 | dB  | > 25 (R2 // R1, Y1, Y2, Y3, Y4)    |            |
| Max. Effective Power per Port                          | W   | 400 (at 50 °C ambient temperature) |            |

Values based on NGMN-P-BASTA (version 11.1) requirements.

| Left side, midband                                     |     | Y1, connector 5–6                  |             |             |             |
|--|-----|------------------------------------|-------------|-------------|-------------|
| Frequency Range  | MHz | 1695 – 1880                        | 1850 – 1990 | 1920 – 2200 | 2300 – 2360 |
| Gain at mid Tilt                                       | dBi | 17.1                               | 17.6        | 18.2        | 19.0        |
| Gain over all Tilts                                    | dBi | 17.0 ± 0.7                         | 17.5 ± 0.7  | 18.1 ± 1.0  | 18.9 ± 0.6  |
| <b>Horizontal Pattern:</b>                             |     |                                    |             |             |             |
| Azimuth Beamwidth                                      | °   | 71.4 ± 6.7                         | 66.5 ± 4.9  | 63.0 ± 5.4  | 56.4 ± 2.4  |
| Front-to-Back Ratio, Total Power, ± 30°                | dB  | > 22.0                             | > 27.7      | > 30.0      | > 29.7      |
| Cross Polar Discrimination at Boresight                | dB  | > 16.7                             | > 16.0      | > 17.8      | > 19.7      |
| Cross Polar Discrimination over Sector                 | dB  | 6.3                                | 9.7         | 7.6         | 4.0         |
| Azimuth Beam Squint                                    | °   | -6.2 ± 2.4                         | -4.2 ± 3.0  | -1.8 ± 5.0  | 4.8 ± 2.3   |
| <b>Vertical Pattern:</b>                               |     |                                    |             |             |             |
| Elevation Beamwidth                                    | °   | 6.5 ± 0.4                          | 6.0 ± 0.4   | 5.6 ± 0.6   | 5.0 ± 0.2   |
| Electrical Downtilt continuously adjustable            | °   | 0.0 – 10.0                         |             |             |             |
| Tilt Accuracy  | °   | < 0.4                              | < 0.4       | < 0.4       | < 0.4       |
| First Upper Sidelobe Suppression                       | dB  | > 18.9                             | > 19.3      | > 18.9      | > 19.0      |
| Upper Sidelobe Suppression, 20° Sector above Main Beam | dB  | > 15.0                             | > 14.1      | > 15.0      | > 18.2      |
| Intra-Cluster Isolation                                | dB  | > 25                               |             |             |             |
| Port to Port Isolation                                 | dB  | > 25 (Y1 // R1, R2, Y2, Y3, Y4)    |             |             |             |
| Max. Effective Power per Port                          | W   | 200 (at 50 °C ambient temperature) |             |             |             |

Values based on NGMN-P-BASTA (version 11.1) requirements.

| Left side, center midband                              |     | Y2, connector 7–8                  |             |             |             |
|--|-----|------------------------------------|-------------|-------------|-------------|
| Frequency Range  | MHz | 1695 – 1880                        | 1850 – 1990 | 1920 – 2200 | 2300 – 2360 |
| Gain at mid Tilt                                       | dBi | 17.2                               | 17.7        | 18.3        | 19.1        |
| Gain over all Tilts                                    | dBi | 17.3 ± 0.8                         | 17.8 ± 0.7  | 18.4 ± 1.1  | 19.1 ± 0.8  |
| <b>Horizontal Pattern:</b>                             |     |                                    |             |             |             |
| Azimuth Beamwidth                                      | °   | 67.8 ± 7.0                         | 63.8 ± 4.9  | 59.0 ± 6.6  | 53.7 ± 5.6  |
| Front-to-Back Ratio, Total Power, ± 30°                | dB  | > 26.6                             | > 30.1      | > 31.2      | > 31.8      |
| Cross Polar Discrimination at Boresight                | dB  | > 16.2                             | > 18.4      | > 19.1      | > 20.6      |
| Cross Polar Discrimination over Sector                 | dB  | 8.8                                | 8.5         | 7.5         | 6.7         |
| Azimuth Beam Squint                                    | °   | 5.2 ± 3.4                          | 3.5 ± 3.2   | 2.9 ± 3.6   | 1.3 ± 2.4   |
| <b>Vertical Pattern:</b>                               |     |                                    |             |             |             |
| Elevation Beamwidth                                    | °   | 6.4 ± 0.5                          | 5.9 ± 0.4   | 5.6 ± 0.5   | 5.1 ± 0.2   |
| Electrical Downtilt continuously adjustable            | °   | 0.0 – 10.0                         |             |             |             |
| Tilt Accuracy  | °   | < 0.3                              | < 0.3       | < 0.3       | < 0.2       |
| First Upper Sidelobe Suppression                       | dB  | > 18.3                             | > 18.4      | > 17.8      | > 19.9      |
| Upper Sidelobe Suppression, 20° Sector above Main Beam | dB  | > 13.9                             | > 13.9      | > 14.9      | > 18.2      |
| Intra-Cluster Isolation                                | dB  | > 25                               |             |             |             |
| Port to Port Isolation                                 | dB  | > 25 (Y2 // R1, R2, Y1, Y3, Y4)    |             |             |             |
| Max. Effective Power per Port                          | W   | 200 (at 50 °C ambient temperature) |             |             |             |

Values based on NGMN-P-BASTA (version 11.1) requirements.



## Right side, center midband

## Y3, connector 9–10

| Frequency Range  | MHz | 1695 – 1880                        | 1850 – 1990 | 1920 – 2200 | 2300 – 2360 |
|--|-----|------------------------------------|-------------|-------------|-------------|
| Gain at mid Tilt                                       | dBi | 17.2                               | 17.6        | 18.2        | 19.1        |
| Gain over all Tilts                                    | dBi | 17.1 ± 0.7                         | 17.5 ± 0.6  | 18.2 ± 1.0  | 19.1 ± 0.8  |
| <b>Horizontal Pattern:</b>                             |     |                                    |             |             |             |
| Azimuth Beamwidth                                      | °   | 69.9 ± 4.5                         | 67.2 ± 3.9  | 61.1 ± 7.1  | 52.0 ± 9.5  |
| Front-to-Back Ratio, Total Power, ± 30°                | dB  | > 28.2                             | > 30.8      | > 32.6      | > 33.7      |
| Cross Polar Discrimination at Boresight                | dB  | > 16.2                             | > 17.5      | > 19.1      | > 20.9      |
| Cross Polar Discrimination over Sector                 | dB  | 6.3                                | 9.1         | 8.9         | 6.7         |
| Azimuth Beam Squint                                    | °   | -6.3 ± 3.0                         | -4.2 ± 2.9  | -3.0 ± 3.8  | -1.5 ± 2.2  |
| <b>Vertical Pattern:</b>                               |     |                                    |             |             |             |
| Elevation Beamwidth                                    | °   | 6.6 ± 0.5                          | 6.1 ± 0.4   | 5.7 ± 0.5   | 5.2 ± 0.2   |
| Electrical Downtilt continuously adjustable            | °   | 0.0 – 10.0                         |             |             |             |
| Tilt Accuracy  | °   | < 0.4                              | < 0.3       | < 0.3       | < 0.3       |
| First Upper Sidelobe Suppression                       | dB  | > 19.2                             | > 19.3      | > 19.3      | > 21.0      |
| Upper Sidelobe Suppression, 20° Sector above Main Beam | dB  | > 16.2                             | > 14.4      | > 15.5      | > 18.6      |
| Intra-Cluster Isolation                                | dB  | > 25                               |             |             |             |
| Port to Port Isolation                                 | dB  | > 25 (Y3 // R1, R2, Y1, Y2, Y4)    |             |             |             |
| Max. Effective Power per Port                          | W   | 200 (at 50 °C ambient temperature) |             |             |             |

Values based on NGMN-P-BASTA (version 11.1) requirements.

## Right side, midband

## Y4, connector 11–12

| Frequency Range  | MHz | 1695 – 1880                        | 1850 – 1990 | 1920 – 2200 | 2300 – 2360 |
|--|-----|------------------------------------|-------------|-------------|-------------|
| Gain at mid Tilt                                       | dBi | 17.2                               | 17.8        | 18.3        | 19.1        |
| Gain over all Tilts                                    | dBi | 17.2 ± 0.8                         | 17.9 ± 0.8  | 18.4 ± 1.0  | 19.2 ± 1.0  |
| <b>Horizontal Pattern:</b>                             |     |                                    |             |             |             |
| Azimuth Beamwidth                                      | °   | 68.8 ± 6.2                         | 61.5 ± 8.2  | 57.5 ± 6.0  | 51.0 ± 5.9  |
| Front-to-Back Ratio, Total Power, ± 30°                | dB  | > 25.3                             | > 27.3      | > 29.4      | > 28.1      |
| Cross Polar Discrimination at Boresight                | dB  | > 16.8                             | > 17.3      | > 17.8      | > 20.2      |
| Cross Polar Discrimination over Sector                 | dB  | 9.8                                | 8.7         | 7.6         | 6.2         |
| Azimuth Beam Squint                                    | °   | 5.9 ± 4.0                          | 4.2 ± 3.7   | 2.3 ± 5.3   | -3.1 ± 2.3  |
| <b>Vertical Pattern:</b>                               |     |                                    |             |             |             |
| Elevation Beamwidth                                    | °   | 6.5 ± 0.5                          | 6.0 ± 0.3   | 5.7 ± 0.5   | 5.1 ± 0.2   |
| Electrical Downtilt continuously adjustable            | °   | 0.0 – 10.0                         |             |             |             |
| Tilt Accuracy  | °   | < 0.4                              | < 0.4       | < 0.3       | < 0.3       |
| First Upper Sidelobe Suppression                       | dB  | > 18.1                             | > 17.9      | > 18.5      | > 19.7      |
| Upper Sidelobe Suppression, 20° Sector above Main Beam | dB  | > 16.2                             | > 15.7      | > 16.3      | > 18.8      |
| Intra-Cluster Isolation                                | dB  | > 25                               |             |             |             |
| Port to Port Isolation                                 | dB  | > 25 (Y4 // R1, R2, Y1, Y2, Y3)    |             |             |             |
| Max. Effective Power per Port                          | W   | 200 (at 50 °C ambient temperature) |             |             |             |

Values based on NGMN-P-BASTA (version 11.1) requirements.

## Electrical specifications, all ports

|                                      |          |                                     |
|--------------------------------------|----------|-------------------------------------|
| Impedance                            | $\Omega$ | 50                                  |
| VSWR                                 |          | < 1.5                               |
| Return Loss                          | dB       | > 14                                |
| Interband Isolation                  | dB       | > 25                                |
| Passive Intermodulation              | dBc      | < -153 (2 x 43 dBm carrier)         |
| Polarization                         | °        | -45, +45                            |
| Max. Effective Power for the Antenna | W        | 1000 (at 50 °C ambient temperature) |

Values based on NGMN-P-BASTA (version 11.1) requirements.

## Mechanical specifications

|   |   |   |
|---|---|---|
| Input                                     | 12x 4.3-10 female   |   |
| Connector Position                        | bottom  |   |
| Adjustment Mechanism                      | FlexRET, continuously adjustable                                  |   |
| Wind load (at Rated Wind Speed: 150 km/h) | N   lbf   | Frontal: 825   186<br>Maximal: 935   210<br>Lateral: 325   73           |
| EPA                                       | m <sup>2</sup>   ft <sup>2</sup>                                  | Frontal: 0.759   8.17<br>Maximal: 0.859   9.25<br>Lateral: 0.298   3.21 |
| Wind Load Standard                        | EN 1994-1-4   |   |
| Wind Load Laboratory                      | TU Dresden; Göttinger-type wind tunnel                            |   |
| Max. Wind Velocity                        | km/h<br>mph   | 241<br>150  |
| Height / Width / Depth                    | mm<br>inches  | 1828 / 488 / 164<br>72.0 / 19.2 / 6.5                                   |
| Category of Mounting Hardware             | XM (X-Medium)   |   |
| Weight                                    | kg<br>lb  | 42.0 / 46.5 (clamps incl.)<br>92.6 / 102.5 (clamps incl.)               |
| Packing Size                              | mm<br>inches  | 1975 / 550 / 293<br>77.8 / 21.7 / 11.5                                  |
| Scope of Supply                           | Panel, FlexRET and clamps for 55–115 mm   2.2–4.5 inches diameter |   |

## Accessories (order separately if required)

| Product No. | Description          | Remarks<br>mm   inches           | Units per antenna |
|-------------|----------------------|----------------------------------|-------------------|
| 85010097    | 2 clamps             | Mast diameter: 110–220   4.3–8.7 | 1                 |
| 85010110    | 1 downtilt kit       | Downtilt angle: 0°–10°           | 1                 |
| 86010154    | Site Sharing Adapter | 3-way (see figure below)         |                   |
| 86010155    | Site Sharing Adapter | 6-way (see figure below)         |                   |

## Accessories (included in the scope of supply)

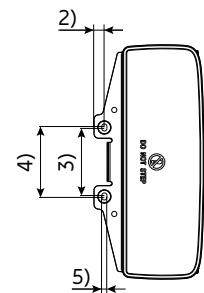
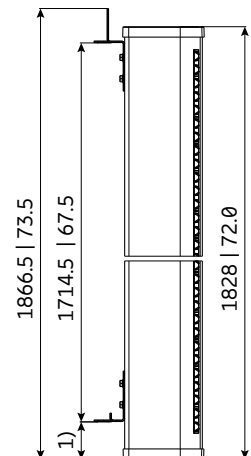
| Product No. | Description | Remarks<br>mm   inches                 | Units per antenna |
|-------------|-------------|--|-------------------|
| 85010111    | 2 clamps    | Mast diameter: 55–115   2.2–4.5        | 1                 |
| 86010167    | FlexRET     | Compliant to 3GPP / AISG 2.0 – AISG 3* | 1                 |

\* FlexRET 86010167 does not support AISG 3 feature MALD

For downtilt mounting use the clamps for an appropriate mast diameter together with the downtilt kit.  
Wall mounting: No additional mounting kit needed.

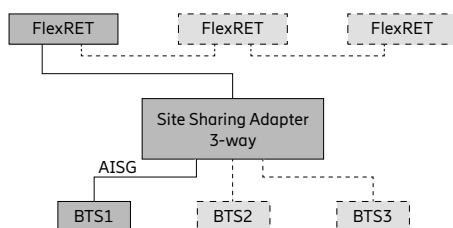
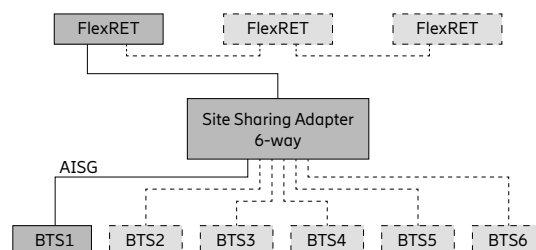
**Material:** **Reflector screen:** Aluminum.  
**Fiberglass housing:** It covers totally the internal antenna components. The special design reduces the sealing areas to a minimum and guarantees the best weather protection. Fiberglass material guarantees optimum performance with regards to stability, stiffness, UV resistance and painting. The color of the radome is light grey.

**Grounding:** The metal parts of the antenna including the mounting kit and the inner conductors are DC grounded.



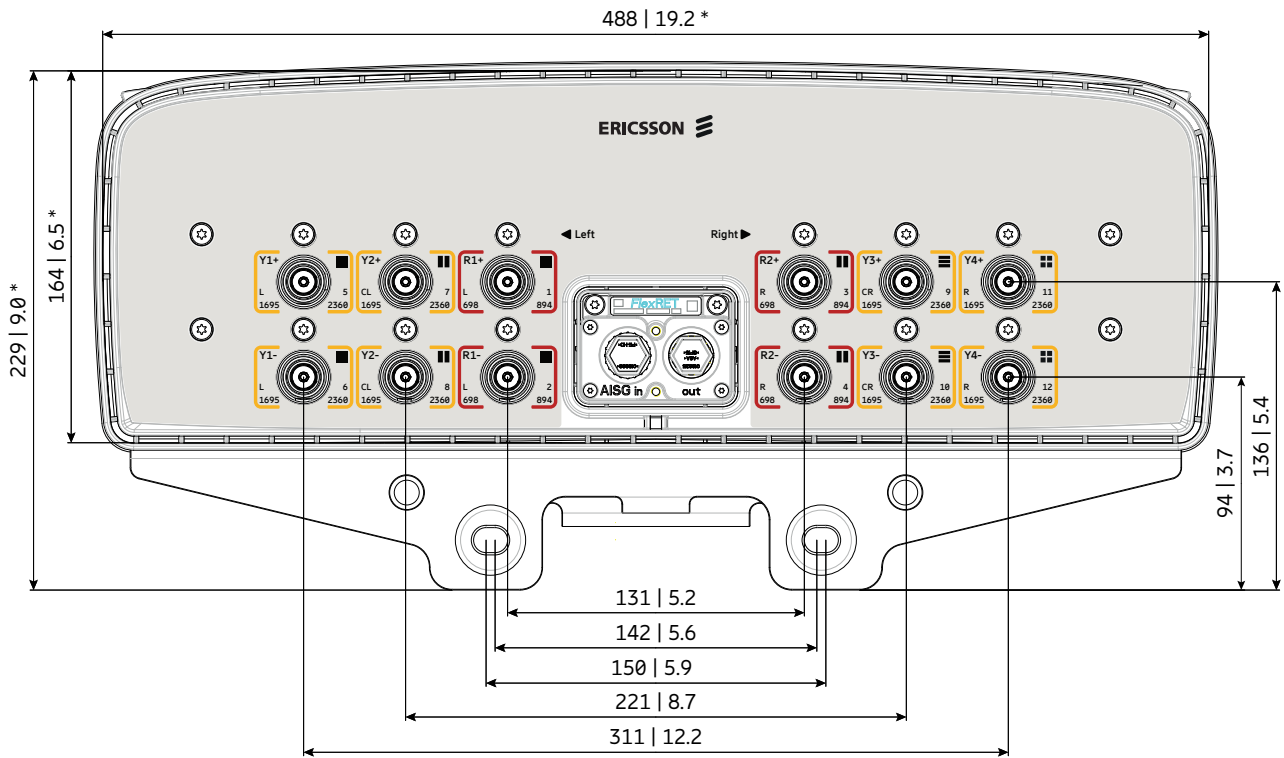
- 1) 79 | 3.1  
2) 22 | 0.9  
3) 142 | 5.6  
4) 150 | 5.9  
5)  $\varnothing$  11 | 0.4

All dimensions  
in mm | inches

Configuration example  
with Site Sharing Adapter 86010154Configuration example  
with Site Sharing Adapter 86010155

For more information please refer to the respective data sheets.

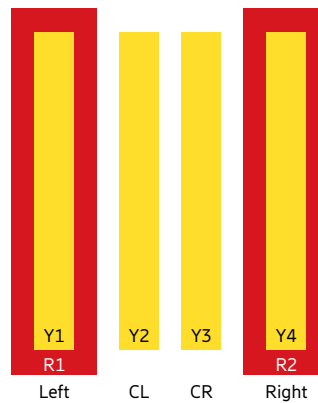
### Layout of interface



Bottom view  
\* Dimensions refer to radome  
All dimensions in mm | inches

### Correlation Table

| Frequency range | Array | Connector / Ports |
|-----------------|-------|-------------------|
| 698–894 MHz     | R1    | 1–2               |
| 698–894 MHz     | R2    | 3–4               |
| 1695–2360 MHz   | Y1    | 5–6               |
| 1695–2360 MHz   | Y2    | 7–8               |
| 1695–2360 MHz   | Y3    | 9–10              |
| 1695–2360 MHz   | Y4    | 11–12             |





2LB nMB

# Antenna 4800 2L 4M 2.4m

840590003

Capacity

Compact

Coverage

65° | 2x 617–894 MHz | 16.0 dBi  
65° | 4x 1695–2690 MHz | 18.5 dBi  
FlexRET



[ericsson.com/antenna-system](https://ericsson.com/antenna-system)



Scan or [click](#)

| Left side, lowband                          |     | R1, connector 1–2                  |            |            |
|---|-----|------------------------------------|------------|------------|
| Frequency Range                             | MHz | 617 – 698                          | 698 – 806  | 824 – 894  |
| Gain at mid Tilt                            | dBi | 15.2                               | 15.8       | 16.0       |
| Gain over all Tilts                         | dBi | 15.2 ± 0.6                         | 15.8 ± 0.4 | 16.0 ± 0.5 |
| <b>Horizontal Pattern:</b>                  |     |                                    |            |            |
| Azimuth Beamwidth                           | °   | 68 ± 3.5                           | 66 ± 2.6   | 66 ± 2.4   |
| Front-to-Back Ratio, Total Power, ± 30°     | dB  | > 18                               | > 21       | > 22       |
| <b>Vertical Pattern:</b>                    |     |                                    |            |            |
| Elevation Beamwidth                         | °   | 11.2 ± 0.6                         | 10.1 ± 0.6 | 9.2 ± 0.4  |
| Electrical Downtilt continuously adjustable | °   | 2.0 – 10.0                         |            |            |
| Tilt Accuracy                               | °   | < 0.4                              | < 0.5      | < 0.6      |
| First Upper Side Lobe Suppression           | dB  | > 16                               | > 19       | > 16       |
| Cross Polar Isolation                       | dB  | > 25                               |            |            |
| Port to Port Isolation                      | dB  | > 25 (R1 // R2, Y1, Y2, Y3, Y4)    |            |            |
| Max. Effective Power per Port               | W   | 400 (at 50 °C ambient temperature) |            |            |

Values based on NGMN-P-BASTA (version 10.0) requirements.

| Right side, lowband                         |     | R2, connector 3–4                  |            |            |
|---|-----|------------------------------------|------------|------------|
| Frequency Range                             | MHz | 617 – 698                          | 698 – 806  | 824 – 894  |
| Gain at mid Tilt                            | dBi | 15.1                               | 15.7       | 16.1       |
| Gain over all Tilts                         | dBi | 15.1 ± 0.6                         | 15.7 ± 0.5 | 16.1 ± 0.4 |
| <b>Horizontal Pattern:</b>                  |     |                                    |            |            |
| Azimuth Beamwidth                           | °   | 69 ± 3.9                           | 66 ± 2.9   | 66 ± 2.8   |
| Front-to-Back Ratio, Total Power, ± 30°     | dB  | > 19                               | > 21       | > 21       |
| <b>Vertical Pattern:</b>                    |     |                                    |            |            |
| Elevation Beamwidth                         | °   | 11.1 ± 0.6                         | 10.0 ± 0.6 | 9.1 ± 0.3  |
| Electrical Downtilt continuously adjustable | °   | 2.0 – 10.0                         |            |            |
| Tilt Accuracy                               | °   | < 0.4                              | < 0.5      | < 0.6      |
| First Upper Side Lobe Suppression           | dB  | > 16                               | > 20       | > 16       |
| Cross Polar Isolation                       | dB  | > 25                               |            |            |
| Port to Port Isolation                      | dB  | > 25 (R2 // R1, Y1, Y2, Y3, Y4)    |            |            |
| Max. Effective Power per Port               | W   | 400 (at 50 °C ambient temperature) |            |            |

Values based on NGMN-P-BASTA (version 10.0) requirements.

| Left side, midband                          |     | Y1, connector 5–6                  |             |             |             |             |
|---|-----|------------------------------------|-------------|-------------|-------------|-------------|
| Frequency Range                             | MHz | 1695 – 1880                        | 1850 – 1990 | 1920 – 2200 | 2300 – 2400 | 2490 – 2690 |
| Gain at mid Tilt                            | dBi | 17.7                               | 17.8        | 17.8        | 18.0        | 17.7        |
| Gain over all Tilts                         | dBi | 17.6 ± 0.7                         | 17.7 ± 0.6  | 17.7 ± 0.8  | 17.8 ± 0.9  | 17.6 ± 0.7  |
| <b>Horizontal Pattern:</b>                  |     |                                    |             |             |             |             |
| Azimuth Beamwidth                           | °   | 68 ± 5.3                           | 70 ± 4.7    | 69 ± 5.2    | 62 ± 4.9    | 59 ± 6.5    |
| Front-to-Back Ratio, Total Power, ± 30°     | dB  | > 28                               | > 28        | > 26        | > 27        | > 26        |
| <b>Vertical Pattern:</b>                    |     |                                    |             |             |             |             |
| Elevation Beamwidth                         | °   | 5.5 ± 0.4                          | 5.2 ± 0.3   | 5.0 ± 0.4   | 4.5 ± 0.2   | 4.2 ± 0.2   |
| Electrical Downtilt continuously adjustable | °   | 1.5 – 11.0                         |             |             |             |             |
| Tilt Accuracy                               | °   | < 0.3                              | < 0.4       | < 0.4       | < 0.3       | < 0.4       |
| First Upper Side Lobe Suppression           | dB  | > 17                               | > 17        | > 16        | > 15        | > 16        |
| Cross Polar Isolation                       | dB  | > 25                               |             |             |             |             |
| Port to Port Isolation                      | dB  | > 25 (Y1 // R1, R2, Y2, Y3, Y4)    |             |             |             |             |
| Max. Effective Power per Port               | W   | 200 (at 50 °C ambient temperature) |             |             |             |             |

Values based on NGMN-P-BASTA (version 10.0) requirements.

| Left side, center midband                   |     | Y2, connector 7–8                  |             |             |             |             |
|---|-----|------------------------------------|-------------|-------------|-------------|-------------|
| Frequency Range                             | MHz | 1695 – 1880                        | 1850 – 1990 | 1920 – 2200 | 2300 – 2400 | 2490 – 2690 |
| Gain at mid Tilt                            | dBi | 17.9                               | 18.0        | 18.2        | 18.6        | 18.1        |
| Gain over all Tilts                         | dBi | 17.8 ± 0.7                         | 17.9 ± 0.6  | 18.1 ± 0.9  | 18.5 ± 0.8  | 18.0 ± 0.9  |
| <b>Horizontal Pattern:</b>                  |     |                                    |             |             |             |             |
| Azimuth Beamwidth                           | °   | 67 ± 7.0                           | 69 ± 3.4    | 68 ± 4.2    | 60 ± 4.7    | 58 ± 6.8    |
| Front-to-Back Ratio, Total Power, ± 30°     | dB  | > 26                               | > 27        | > 28        | > 30        | > 26        |
| <b>Vertical Pattern:</b>                    |     |                                    |             |             |             |             |
| Elevation Beamwidth                         | °   | 5.6 ± 0.5                          | 5.2 ± 0.4   | 5.1 ± 0.3   | 4.6 ± 0.2   | 4.3 ± 0.4   |
| Electrical Downtilt continuously adjustable | °   | 1.5 – 11.0                         |             |             |             |             |
| Tilt Accuracy                               | °   | < 0.4                              | < 0.4       | < 0.4       | < 0.4       | < 0.4       |
| First Upper Side Lobe Suppression           | dB  | > 16                               | > 16        | > 16        | > 17        | > 17        |
| Cross Polar Isolation                       | dB  | > 25                               |             |             |             |             |
| Port to Port Isolation                      | dB  | > 25 (Y2 // R1, R2, Y1, Y3, Y4)    |             |             |             |             |
| Max. Effective Power per Port               | W   | 200 (at 50 °C ambient temperature) |             |             |             |             |

Values based on NGMN-P-BASTA (version 10.0) requirements.

## Right side, center midband

## Y3, connector 9–10

| Frequency Range                             | MHz | 1695 – 1880                        | 1850 – 1990 | 1920 – 2200 | 2300 – 2400 | 2490 – 2690 |
|---|-----|------------------------------------|-------------|-------------|-------------|-------------|
| Gain at mid Tilt                            | dBi | 17.8                               | 18.0        | 18.3        | 18.6        | 18.0        |
| Gain over all Tilts                         | dBi | 17.7 ± 0.7                         | 17.9 ± 0.7  | 18.1 ± 0.8  | 18.5 ± 0.7  | 17.9 ± 0.9  |
| <b>Horizontal Pattern:</b>                  |     |                                    |             |             |             |             |
| Azimuth Beamwidth                           | °   | 66 ± 6.5                           | 69 ± 4.0    | 68 ± 4.1    | 62 ± 4.2    | 58 ± 6.0    |
| Front-to-Back Ratio, Total Power, ± 30°     | dB  | > 28                               | > 28        | > 28        | > 30        | > 27        |
| <b>Vertical Pattern:</b>                    |     |                                    |             |             |             |             |
| Elevation Beamwidth                         | °   | 5.6 ± 0.3                          | 5.3 ± 0.3   | 5.1 ± 0.3   | 4.6 ± 0.2   | 4.3 ± 0.3   |
| Electrical Downtilt continuously adjustable | °   | 1.5 – 11.0                         |             |             |             |             |
| Tilt Accuracy                               | °   | < 0.4                              | < 0.4       | < 0.3       | < 0.3       | < 0.4       |
| First Upper Side Lobe Suppression           | dB  | > 16                               | > 16        | > 17        | > 17        | > 16        |
| Cross Polar Isolation                       | dB  | > 25                               |             |             |             |             |
| Port to Port Isolation                      | dB  | > 25 (Y3 // R1, R2, Y1, Y2, Y4)    |             |             |             |             |
| Max. Effective Power per Port               | W   | 200 (at 50 °C ambient temperature) |             |             |             |             |

Values based on NGMN-P-BASTA (version 10.0) requirements.

## Right side, midband

## Y4, connector 11–12

| Frequency Range                             | MHz | 1695 – 1880                        | 1850 – 1990 | 1920 – 2200 | 2300 – 2400 | 2490 – 2690 |
|---|-----|------------------------------------|-------------|-------------|-------------|-------------|
| Gain at mid Tilt                            | dBi | 17.6                               | 17.8        | 17.8        | 18.0        | 17.7        |
| Gain over all Tilts                         | dBi | 17.6 ± 0.7                         | 17.7 ± 0.6  | 17.7 ± 0.8  | 17.9 ± 0.8  | 17.6 ± 0.7  |
| <b>Horizontal Pattern:</b>                  |     |                                    |             |             |             |             |
| Azimuth Beamwidth                           | °   | 69 ± 4.9                           | 71 ± 5.1    | 70 ± 5.6    | 63 ± 4.6    | 58 ± 7.0    |
| Front-to-Back Ratio, Total Power, ± 30°     | dB  | > 27                               | > 28        | > 26        | > 27        | > 26        |
| <b>Vertical Pattern:</b>                    |     |                                    |             |             |             |             |
| Elevation Beamwidth                         | °   | 5.5 ± 0.4                          | 5.1 ± 0.3   | 5.0 ± 0.4   | 4.5 ± 0.2   | 4.2 ± 0.2   |
| Electrical Downtilt continuously adjustable | °   | 1.5 – 11.0                         |             |             |             |             |
| Tilt Accuracy                               | °   | < 0.4                              | < 0.4       | < 0.4       | < 0.3       | < 0.3       |
| First Upper Side Lobe Suppression           | dB  | > 17                               | > 17        | > 16        | > 16        | > 17        |
| Cross Polar Isolation                       | dB  | > 25                               |             |             |             |             |
| Port to Port Isolation                      | dB  | > 25 (Y4 // R1, R2, Y1, Y2, Y3)    |             |             |             |             |
| Max. Effective Power per Port               | W   | 200 (at 50 °C ambient temperature) |             |             |             |             |

Values based on NGMN-P-BASTA (version 10.0) requirements.

## Electrical specifications, all ports

|                                      |            |                                     |
|--------------------------------------|------------|-------------------------------------|
| Impedance                            | $\Omega$   | 50                                  |
| VSWR                                 |            | < 1.5                               |
| Return Loss                          | dB         | > 14                                |
| Interband Isolation                  | dB         | > 25                                |
| Passive Intermodulation              | dBc        | < -153 (2 x 43 dBm carrier)         |
| Polarization                         | $^{\circ}$ | +45, -45 $^{\circ}$                 |
| Max. Effective Power for the Antenna | W          | 1200 (at 50 °C ambient temperature) |

Values based on NGMN-P-BASTA (version 10.0) requirements.

## Mechanical specifications

|   |   |  |
|---|---|--|
| Input                                     | 12 x 4.3-10 female  |  |
| Connector Position                        | bottom  |  |
| Adjustment Mechanism                      | FlexRET, continuously adjustable                                  |  |
| Wind load (at Rated Wind Speed: 150 km/h) | N   lbf   | Frontal: 1320   297<br>Maximal: 1530   344                 |
| Max. Wind Velocity                        | km/h<br>mph   | 241<br>150   |
| Height / Width / Depth                    | mm<br>inches  | 2437 / 596 / 180<br>95.9 / 23.5 / 7.1                      |
| Category of Mounting Hardware             | XH (X-Heavy)  |  |
| Weight (approx.)                          | kg<br>lb  | 51.0 / 56.0 (clamps incl.)<br>112.4 / 123.4 (clamps incl.) |
| Packing Size                              | mm<br>inches  | 2585 / 665 / 300<br>101.8 / 26.2 / 11.8                    |
| Scope of Supply                           | Panel, FlexRET and clamps for 55–115 mm   2.2–4.5 inches diameter |  |

## Accessories (order separately if required)

| Product No. | Description          | Remarks<br>mm   inches           | Units per antenna |
|-------------|----------------------|----------------------------------|-------------------|
| 85010097    | 2 clamps             | Mast diameter: 110–220   4.3–8.7 | 1                 |
| 85010099    | 1 downtilt kit       | Downtilt angle: 0°–10°           | 1                 |
| 86010154    | Site Sharing Adapter | 3-way (see figure below)         |                   |
| 86010155    | Site Sharing Adapter | 6-way (see figure below)         |                   |

## Accessories (included in the scope of supply)

| Product No. | Description | Remarks<br>mm   inches                | Units per antenna |
|-------------|-------------|---------------------------------------|-------------------|
| 85010096    | 2 clamps    | Mast diameter: 55–115   2.2–4.5       | 1                 |
| 86010165    | FlexRET     | Compliant to 3GPP / AISG 2.0 – AISG 3 | 1                 |

For downtilt mounting use the clamps for an appropriate mast diameter together with the downtilt kit.  
Wall mounting: No additional mounting kit needed.

## Material:

**Reflector screen:** Aluminum.

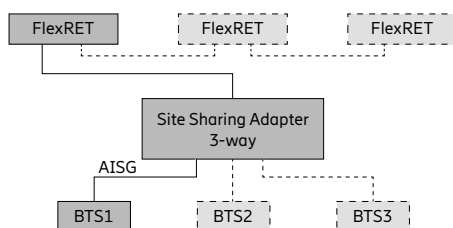
**Fiberglass housing:** It covers totally the internal antenna components. The special design reduces the sealing areas to a minimum and guarantees the best weather protection. Fiberglass material guarantees optimum performance with regards to stability, stiffness, UV resistance and painting. The color of the radome is light grey.

**All nuts and bolts:** Stainless steel or hot-dip galvanized steel.

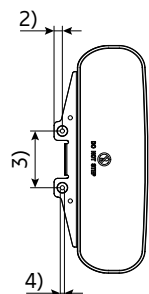
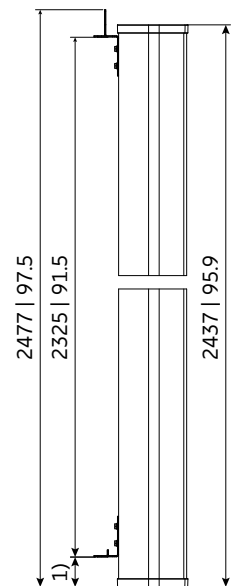
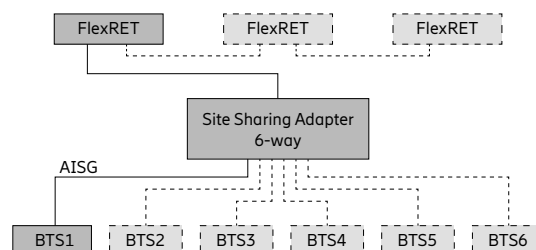
## Grounding:

The metal parts of the antenna including the mounting kit and the inner conductors are DC grounded.

## Configuration example with Site Sharing Adapter 86010154



## Configuration example with Site Sharing Adapter 86010155



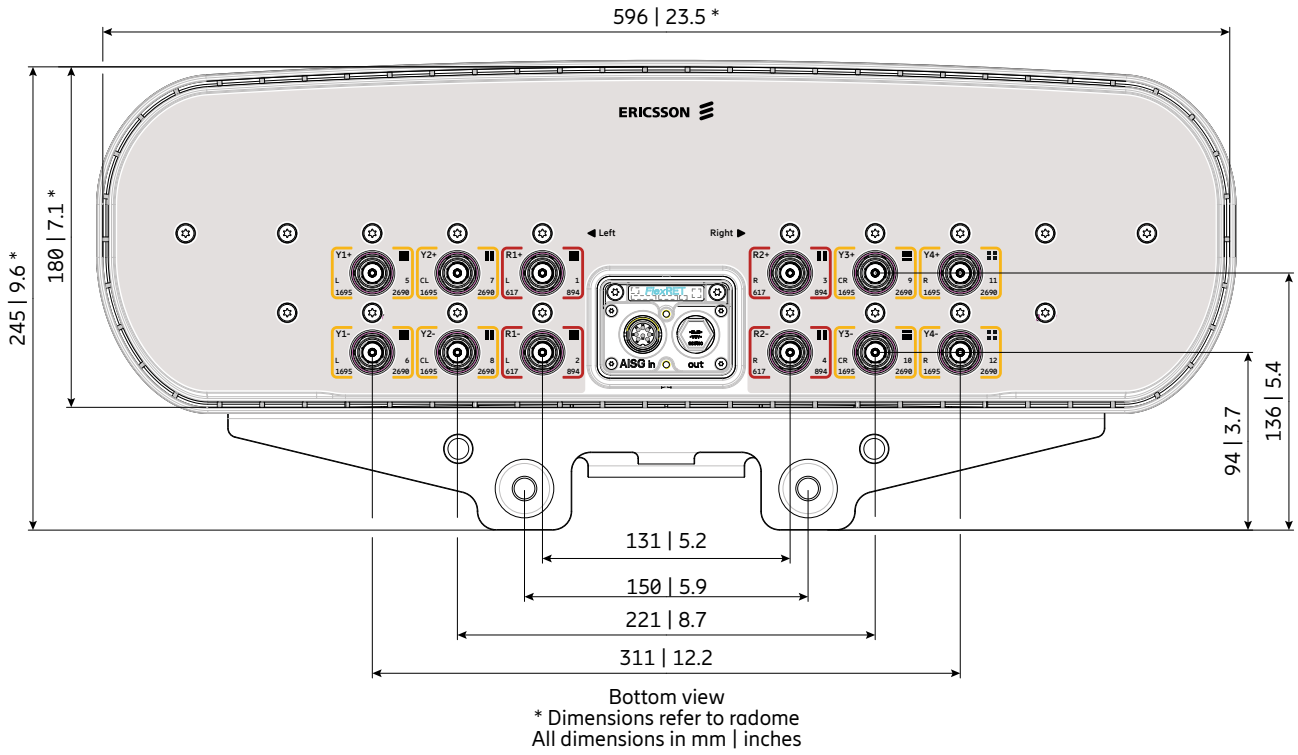
1) 79 | 3.1  
2) 22 | 0.9  
3) 150 | 5.9  
4)  $\varnothing$  11 | 0.4

All dimensions in mm | inches

For more information please refer to the respective data sheets.

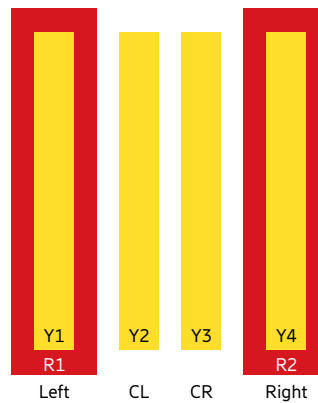


## Layout of interface



## Correlation Table

| Frequency range | Array | Connector / Ports |
|-----------------|-------|-------------------|
| 617–894 MHz     | R1    | 1–2               |
| 617–894 MHz     | R2    | 3–4               |
| 1695–2690 MHz   | Y1    | 5–6               |
| 1695–2690 MHz   | Y2    | 7–8               |
| 1695–2690 MHz   | Y3    | 9–10              |
| 1695–2690 MHz   | Y4    | 11–12             |





# Antenna 4800 2L 4M 2.6m

KRE 101 2520/1

Capacity    Compact    Coverage

65° | 2x 698–960 MHz | 16.8 dBi  
65° | 2x 1427–2690 MHz | 17.7 dBi  
65° | 2x 1695–2690 MHz | 17.9 dBi  
FlexRET



[ericsson.com/antenna-system](http://ericsson.com/antenna-system)



Scan or [click](#)

2LB nMB

| Left side, lowband                          |     | R1, connector 1–2                  |            |            |            |
|---|-----|------------------------------------|------------|------------|------------|
| Frequency Range                             | MHz | 698 – 806                          | 791 – 862  | 824 – 894  | 880 – 960  |
| Gain at mid Tilt                            | dBi | 15.9                               | 16.2       | 16.5       | 16.8       |
| Gain over all Tilts                         | dBi | 15.9 ± 0.5                         | 16.3 ± 0.6 | 16.5 ± 0.5 | 16.7 ± 0.5 |
| <b>Horizontal Pattern:</b>                  |     |                                    |            |            |            |
| Azimuth Beamwidth                           | °   | 60 ± 4                             | 58 ± 4     | 56 ± 3     | 54 ± 4     |
| Front-to-Back Ratio, Total Power, ±30°      | dB  | > 19                               | > 20       | > 22       | > 27       |
| <b>Vertical Pattern:</b>                    |     |                                    |            |            |            |
| Elevation Beamwidth                         | °   | 9.2 ± 0.7                          | 8.7 ± 0.5  | 8.4 ± 0.5  | 7.9 ± 0.4  |
| Electrical Downtilt continuously adjustable | °   | 2.5 – 10                           |            |            |            |
| Tilt Accuracy                               | °   | < 0.6                              | < 0.5      | < 0.4      | < 0.4      |
| First Upper Side Lobe Suppression           | dB  | > 16                               | > 19       | > 19       | > 19       |
| Cross Polar Isolation                       | dB  | > 25                               |            |            |            |
| Port to Port Isolation                      | dB  | > 25 (R1 // R2, Y1, Y2, Y3, Y4)    |            |            |            |
| Max. Effective Power per Port               | W   | 400 (at 50 °C ambient temperature) |            |            |            |

Values based on NGMN-P-BASTA (version 10.0) requirements.

| Right side, lowband                         |     | R2, connector 3–4                  |            |            |            |
|---|-----|------------------------------------|------------|------------|------------|
| Frequency Range                             | MHz | 698 – 806                          | 791 – 862  | 824 – 894  | 880 – 960  |
| Gain at mid Tilt                            | dBi | 15.9                               | 16.3       | 16.6       | 16.7       |
| Gain over all Tilts                         | dBi | 15.9 ± 0.6                         | 16.3 ± 0.6 | 16.6 ± 0.5 | 16.6 ± 0.6 |
| <b>Horizontal Pattern:</b>                  |     |                                    |            |            |            |
| Azimuth Beamwidth                           | °   | 59 ± 5                             | 59 ± 5     | 56 ± 4     | 54 ± 6     |
| Front-to-Back Ratio, Total Power, ±30°      | dB  | > 20                               | > 20       | > 25       | > 27       |
| <b>Vertical Pattern:</b>                    |     |                                    |            |            |            |
| Elevation Beamwidth                         | °   | 9.1 ± 0.6                          | 8.6 ± 0.4  | 8.4 ± 0.5  | 7.9 ± 0.5  |
| Electrical Downtilt continuously adjustable | °   | 2.5 – 10                           |            |            |            |
| Tilt Accuracy                               | °   | < 0.5                              | < 0.5      | < 0.5      | < 0.4      |
| First Upper Side Lobe Suppression           | dB  | > 16                               | > 18       | > 18       | > 20       |
| Cross Polar Isolation                       | dB  | > 25                               |            |            |            |
| Port to Port Isolation                      | dB  | > 25 (R2 // R1, Y1, Y2, Y3)        |            |            |            |
| Max. Effective Power per Port               | W   | 400 (at 50 °C ambient temperature) |            |            |            |

Values based on NGMN-P-BASTA (version 10.0) requirements.

| Left side, midband                          |     | Y1, connector 5–6                  |             |             |             |             |             |             |
|---|-----|------------------------------------|-------------|-------------|-------------|-------------|-------------|-------------|
| Frequency Range                             | MHz | 1427 – 1496                        | 1492 – 1518 | 1695 – 1880 | 1850 – 1990 | 1920 – 2170 | 2300 – 2400 | 2500 – 2690 |
| Gain at mid Tilt                            | dBi | 16.2                               | 16.5        | 17.2        | 17.5        | 17.7        | 17.7        | 17.6        |
| Gain over all Tilts                         | dBi | 16.2 ± 0.6                         | 16.5 ± 0.5  | 17.1 ± 0.6  | 17.4 ± 0.7  | 17.6 ± 0.7  | 17.7 ± 0.7  | 17.6 ± 0.8  |
| <b>Horizontal Pattern:</b>                  |     |                                    |             |             |             |             |             |             |
| Azimuth Beamwidth                           | °   | 69 ± 5                             | 69 ± 3      | 69 ± 4      | 68 ± 5      | 66 ± 6      | 60 ± 4      | 56 ± 4      |
| Front-to-Back Ratio, Total Power, ±30°      | dB  | > 26                               | > 27        | > 25        | > 28        | > 30        | > 29        | > 24        |
| <b>Vertical Pattern:</b>                    |     |                                    |             |             |             |             |             |             |
| Elevation Beamwidth                         | °   | 8.1 ± 0.5                          | 7.9 ± 0.5   | 7.0 ± 0.5   | 6.5 ± 0.4   | 6.2 ± 0.4   | 5.5 ± 0.3   | 5.3 ± 0.4   |
| Electrical Downtilt continuously adjustable | °   | 2.0 – 12.0                         |             |             |             |             |             |             |
| Tilt Accuracy                               | °   | < 0.5                              | < 0.4       | < 0.4       | < 0.3       | < 0.4       | < 0.4       | < 0.4       |
| First Upper Side Lobe Suppression           | dB  | > 17                               | > 18        | > 19        | > 20        | > 20        | > 19        | > 20        |
| Cross Polar Isolation                       | dB  | > 25                               |             |             |             |             |             |             |
| Port to Port Isolation                      | dB  | > 25 (Y1 // R1, R2, Y2, Y3, Y4)    |             |             |             |             |             |             |
| Max. Effective Power per Port               | W   | 200 (at 50 °C ambient temperature) |             |             |             |             |             |             |

Values based on NGMN-P-BASTA (version 10.0) requirements.

| Left side, center midband                   |     | Y2, connector 7–8                  |             |             |             |             |
|---|-----|------------------------------------|-------------|-------------|-------------|-------------|
| Frequency Range                             | MHz | 1695 – 1880                        | 1850 – 1990 | 1920 – 2170 | 2300 – 2400 | 2500 – 2690 |
| Gain at mid Tilt                            | dBi | 17.1                               | 17.2        | 17.2        | 17.2        | 18.0        |
| Gain over all Tilts                         | dBi | 17.0 ± 0.7                         | 17.2 ± 0.6  | 17.1 ± 0.7  | 17.1 ± 0.9  | 17.9 ± 1.0  |
| <b>Horizontal Pattern:</b>                  |     |                                    |             |             |             |             |
| Azimuth Beamwidth                           | °   | 61 ± 11                            | 67 ± 11     | 68 ± 8      | 71 ± 7      | 65 ± 13     |
| Front-to-Back Ratio, Total Power, ±30°      | dB  | 22                                 | > 24        | > 24        | > 24        | > 30        |
| <b>Vertical Pattern:</b>                    |     |                                    |             |             |             |             |
| Elevation Beamwidth                         | °   | 6.9 ± 0.5                          | 6.4 ± 0.4   | 6.0 ± 0.4   | 5.6 ± 0.3   | 5.2 ± 0.3   |
| Electrical Downtilt continuously adjustable | °   | 2.0 – 12.0                         |             |             |             |             |
| Tilt Accuracy                               | °   | < 0.4                              | < 0.4       | < 0.3       | < 0.4       | < 0.4       |
| First Upper Side Lobe Suppression           | dB  | > 15                               | > 16        | > 16        | > 16        | > 17        |
| Cross Polar Isolation                       | dB  | > 25                               |             |             |             |             |
| Port to Port Isolation                      | dB  | > 25 (Y2 // R1, R2, Y1, Y3, Y4)    |             |             |             |             |
| Max. Effective Power per Port               | W   | 200 (at 50 °C ambient temperature) |             |             |             |             |

Values based on NGMN-P-BASTA (version 10.0) requirements.

| Right side, center midband                  |     | Y3, connector 9–10                 |             |             |             |             |
|---|-----|------------------------------------|-------------|-------------|-------------|-------------|
| Frequency Range                             | MHz | 1695 – 1880                        | 1850 – 1990 | 1920 – 2170 | 2300 – 2400 | 2500 – 2690 |
| Gain at mid Tilt                            | dBi | 16.8                               | 17.0        | 17.0        | 17.1        | 17.7        |
| Gain over all Tilts                         | dBi | 16.8 ± 0.7                         | 16.9 ± 0.7  | 16.9 ± 0.9  | 17.0 ± 0.8  | 17.6 ± 0.9  |
| <b>Horizontal Pattern:</b>                  |     |                                    |             |             |             |             |
| Azimuth Beamwidth                           | °   | 69 ± 14                            | 72 ± 7      | 71 ± 13     | 68 ± 7      | 65 ± 6      |
| Front-to-Back Ratio, Total Power, ±30°      | dB  | > 23                               | > 24        | > 24        | > 27        | > 30        |
| <b>Vertical Pattern:</b>                    |     |                                    |             |             |             |             |
| Elevation Beamwidth                         | °   | 6.9 ± 0.6                          | 6.4 ± 0.4   | 6.1 ± 0.5   | 5.4 ± 0.4   | 5.1 ± 0.3   |
| Electrical Downtilt continuously adjustable | °   | 2.0 – 12.0                         |             |             |             |             |
| Tilt Accuracy                               | °   | < 0.4                              | < 0.3       | < 0.4       | < 0.5       | < 0.5       |
| First Upper Side Lobe Suppression           | dB  | > 16                               | > 18        | > 18        | > 19        | > 18        |
| Cross Polar Isolation                       | dB  | > 25                               |             |             |             |             |
| Port to Port Isolation                      | dB  | > 25 (Y3 // R1, R2, Y1, Y2, Y4)    |             |             |             |             |
| Max. Effective Power per Port               | W   | 200 (at 50 °C ambient temperature) |             |             |             |             |

Values based on NGMN-P-BASTA (version 10.0) requirements.

| Right side, midband                         |     | Y4, connector 11–12                |             |             |             |             |             |             |
|---|-----|------------------------------------|-------------|-------------|-------------|-------------|-------------|-------------|
| Frequency Range                             | MHz | 1427 – 1496                        | 1492 – 1518 | 1695 – 1880 | 1850 – 1990 | 1920 – 2170 | 2300 – 2400 | 2500 – 2690 |
| Gain at mid Tilt                            | dBi | 16.2                               | 16.5        | 17.1        | 17.4        | 17.5        | 17.7        | 17.6        |
| Gain over all Tilts                         | dBi | 16.2 ± 0.7                         | 16.5 ± 0.4  | 17.1 ± 0.6  | 17.3 ± 0.6  | 17.5 ± 0.7  | 17.7 ± 0.8  | 17.5 ± 0.8  |
| <b>Horizontal Pattern:</b>                  |     |                                    |             |             |             |             |             |             |
| Azimuth Beamwidth                           | °   | 68 ± 4                             | 69 ± 4      | 70 ± 3      | 69 ± 6      | 67 ± 6      | 60 ± 6      | 56 ± 6      |
| Front-to-Back Ratio, Total Power, ±30°      | dB  | > 27                               | > 27        | > 25        | > 28        | > 29        | > 28        | > 26        |
| <b>Vertical Pattern:</b>                    |     |                                    |             |             |             |             |             |             |
| Elevation Beamwidth                         | °   | 8.2 ± 0.4                          | 7.9 ± 0.4   | 7.0 ± 0.4   | 6.5 ± 0.3   | 6.2 ± 0.4   | 5.6 ± 0.3   | 5.3 ± 0.4   |
| Electrical Downtilt continuously adjustable | °   | 2.0 – 12.0                         |             |             |             |             |             |             |
| Tilt Accuracy                               | °   | < 0.5                              | < 0.4       | < 0.6       | < 0.4       | < 0.5       | < 0.5       | < 0.6       |
| First Upper Side Lobe Suppression           | dB  | > 17                               | > 17        | > 19        | > 20        | > 19        | > 20        | > 20        |
| Cross Polar Isolation                       | dB  | > 25                               |             |             |             |             |             |             |
| Port to Port Isolation                      | dB  | > 25 (Y4 // R1, R2, Y1, Y2, Y3)    |             |             |             |             |             |             |
| Max. Effective Power per Port               | W   | 200 (at 50 °C ambient temperature) |             |             |             |             |             |             |

Values based on NGMN-P-BASTA (version 10.0) requirements.

## Electrical specifications, all ports

|                                      |            |                                     |
|--------------------------------------|------------|-------------------------------------|
| Impedance                            | $\Omega$   | 50                                  |
| VSWR                                 |            | < 1.5                               |
| Return Loss                          | dB         | > 14                                |
| Interband Isolation                  | dB         | > 25                                |
| Passive Intermodulation              | dBc        | < -153 (2 x 43 dBm carrier)*        |
| Polarization                         | $^{\circ}$ | +45, -45                            |
| Max. Effective Power for the Antenna | W          | 1200 (at 50 °C ambient temperature) |

Values based on NGMN-P-BASTA (version 10.0) requirements.

\* not applicable for L-band

## Mechanical specifications

|   |   |  |
|---|---|--|
| Input                                     | 12x 4.3-10 female   |  |
| Connector Position                        | bottom  |  |
| Adjustment Mechanism                      | FlexRET, continuously adjustable                                  |  |
| Wind load (at Rated Wind Speed: 150 km/h) | N   lbf   | Frontal: 1200   270<br>Maximal: 1360   306               |
| Max. Wind Velocity                        | km/h<br>mph   | 241<br>150   |
| Height / Width / Depth                    | mm<br>inches  | 2591 / 488 / 164<br>102.0 / 19.2 / 6.5                   |
| Category of Mounting Hardware             | XM (X-Medium)   |  |
| Weight (approx.)                          | kg<br>lb  | 56 / 60.5 (clamps incl.)<br>121.3 / 131.2 (clamps incl.) |
| Packing Size                              | mm<br>inches  | 2745 / 550 / 293<br>108.0 / 21.7 / 11.5                  |
| Scope of Supply                           | Panel, FlexRET and clamps for 55–115 mm   2.2–4.5 inches diameter |  |

## Accessories (order separately if required)

| Product No.   | Description          | Remarks<br>mm   inches                            | Units per antenna |
|---------------|----------------------|---|-------------------|
| 85010097      | 2 clamps             | Mast diameter: 110–220   4.3–8.7                  | 1                 |
| 85010110      | 1 downtilt kit       | Downtilt angle: 0°–9°                             | 1                 |
| 86010154      | Site Sharing Adapter | 3-way (see figure below)                          |                   |
| 86010155      | Site Sharing Adapter | 6-way (see figure below)                          |                   |
| 86010162      | Gender Adapter       | To be used in combination with the FlexRET module | 1                 |
| KRY 121 108/1 | Port Extender        |   | 1                 |

## Accessories (included in the scope of supply)

| Product No. | Description | Remarks<br>mm   inches                      | Units per antenna |
|-------------|-------------|---|-------------------|
| 85010111    | 2 clamps    | Mast diameter: 55–115   2.2–4.5             | 1                 |
| 86010165    | FlexRET     | Compliant to 3GPP / AISG 2.0 – AISG 3 ready | 1                 |

For downtilt mounting use the clamps for an appropriate mast diameter together with the downtilt kit. Wall mounting: No additional mounting kit needed.

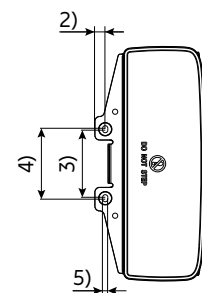
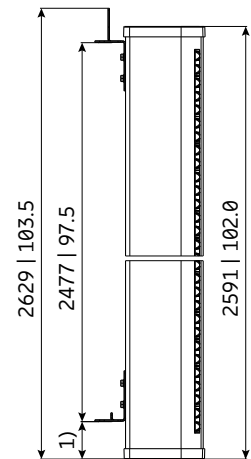
**Material:**

**Reflector screen:** Aluminum.

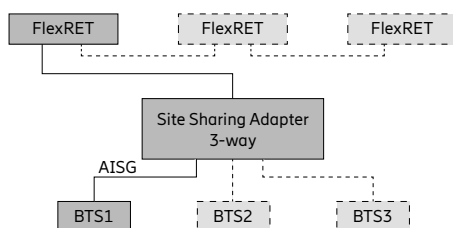
**Fiberglass housing:** It covers totally the internal antenna components. The special design reduces the sealing areas to a minimum and guarantees the best weather protection. Fiberglass material guarantees optimum performance with regards to stability, stiffness, UV resistance and painting. The color of the radome is light grey.

**Grounding:**

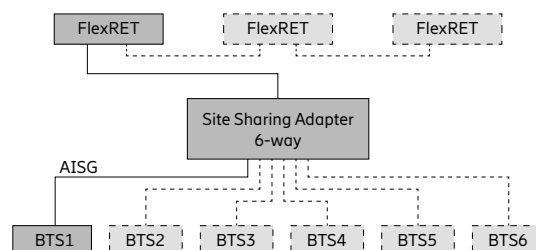
The metal parts of the antenna including the mounting kit and the inner conductors are DC grounded.



## Configuration example with Site Sharing Adapter 86010154



## Configuration example with Site Sharing Adapter 86010155

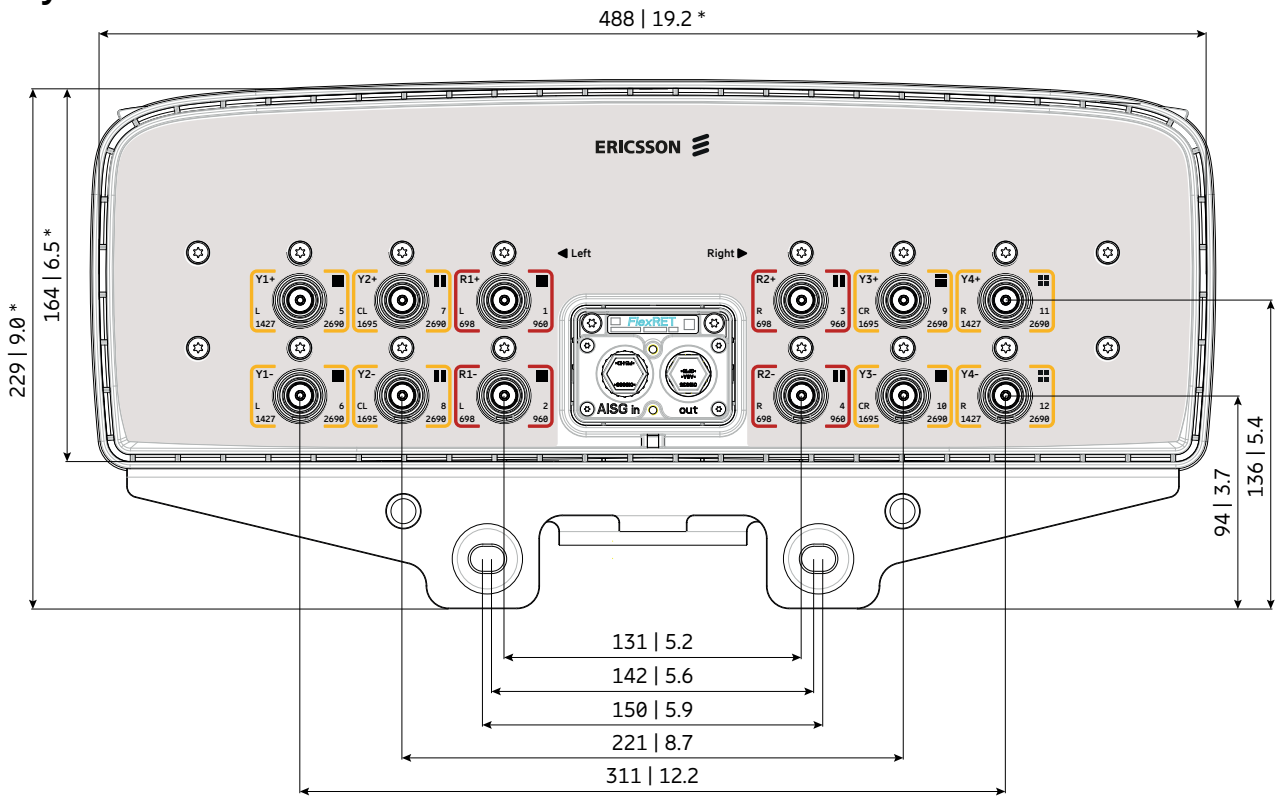


- 1) 79 | 3.1
- 2) 22 | 0.9
- 3) 142 | 5.6
- 4) 150 | 5.9
- 5) ø 11 | 0.4

All dimensions in mm | inches

For more information please refer to the respective data sheets.

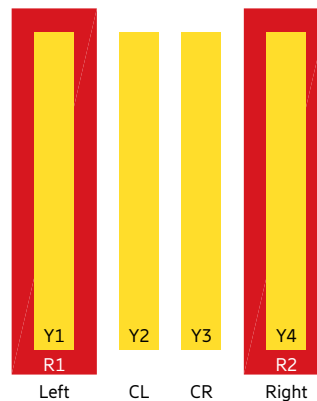
## Layout of interface



Bottom view  
\* Dimensions refer to radome  
All dimensions in mm | inches

## Correlation Table

| Frequency range | Array | Connector / Ports |
|-----------------|-------|-------------------|
| 698–960 MHz     | R1    | 1–2               |
| 698–960 MHz     | R2    | 3–4               |
| 1427–2690 MHz   | Y1    | 5–6               |
| 1695–2690 MHz   | Y2    | 7–8               |
| 1695–2690 MHz   | Y3    | 9–10              |
| 1427–2690 MHz   | Y4    | 11–12             |





2LB nMB

# Antenna 4801 2L 4M 2.4m

KRE 101 2487/1

Capacity    Compact    Coverage

65° | 2x 698–894 MHz | 16.0 dBi  
65° | 4x 1695–2360 MHz | 19.0 dBi  
FlexRET



[ericsson.com/antenna-system](https://ericsson.com/antenna-system)



Scan or [click](#)



| Left side, lowband                          |     | R1, connector 1–2                  |            |
|---|-----|------------------------------------|------------|
| Frequency Range                             | MHz | 698 – 806                          | 824 – 894  |
| Gain at mid Tilt                            | dBi | 15.0                               | 15.9       |
| Gain over all Tilts                         | dBi | 15.0 ± 0.7                         | 15.9 ± 0.5 |
| <b>Horizontal Pattern:</b>                  |     |                                    |            |
| Azimuth Beamwidth                           | °   | 68 ± 7.2                           | 57 ± 5.1   |
| Front-to-Back Ratio, Total Power, ± 30°     | dB  | > 25                               | > 27       |
| Cross Polar Discrimination at Boresight     | dB  | > 20                               | > 19       |
| Azimuth Beam Port-to-Port Tracking          | dB  | 1.0                                | 2.0        |
| <b>Vertical Pattern:</b>                    |     |                                    |            |
| Elevation Beamwidth                         | °   | 9.5 ± 0.7                          | 8.8 ± 0.4  |
| Electrical Downtilt continuously adjustable | °   | 2.5 – 10.0                         |            |
| Tilt Accuracy                               | °   | < 0.4                              | < 0.3      |
| First Upper Sidelobe Suppression            | dB  | > 16                               | > 24       |
| Intra-Cluster Isolation                     | dB  | > 25                               |            |
| Inter-Cluster Isolation                     | dB  | > 25 (R1 // R2, Y1, Y2, Y3, Y4)    |            |
| Max. Effective Power per Port               | W   | 400 (at 50 °C ambient temperature) |            |
| Max. Effective Power Ports R1               | W   | 800 (at 50 °C ambient temperature) |            |

Values based on NGMN-P-BASTA (version 11.1) requirements.

| Right side, lowband                         |     | R2, connector 3–4                  |            |
|---|-----|------------------------------------|------------|
| Frequency Range                             | MHz | 698 – 806                          | 824 – 894  |
| Gain at mid Tilt                            | dBi | 15.0                               | 15.9       |
| Gain over all Tilts                         | dBi | 15.0 ± 0.7                         | 15.9 ± 0.4 |
| <b>Horizontal Pattern:</b>                  |     |                                    |            |
| Azimuth Beamwidth                           | °   | 68 ± 9.8                           | 57 ± 5.0   |
| Front-to-Back Ratio, Total Power, ± 30°     | dB  | > 25                               | > 27       |
| Cross Polar Discrimination at Boresight     | dB  | > 20                               | > 20       |
| Azimuth Beam Port-to-Port Tracking          | dB  | 2.5                                | 3.0        |
| <b>Vertical Pattern:</b>                    |     |                                    |            |
| Elevation Beamwidth                         | °   | 9.4 ± 0.7                          | 8.8 ± 0.4  |
| Electrical Downtilt continuously adjustable | °   | 2.5 – 10.0                         |            |
| Tilt Accuracy                               | °   | < 0.3                              | < 0.2      |
| First Upper Side Lobe Suppression           | dB  | > 16                               | > 24       |
| Intra-Cluster Isolation                     | dB  | > 25                               |            |
| Inter-Cluster Isolation                     | dB  | > 25 (R2 // R1, Y1, Y2, Y3, Y4)    |            |
| Max. Effective Power per Port               | W   | 400 (at 50 °C ambient temperature) |            |
| Max. Effective Power Ports R2               | W   | 800 (at 50 °C ambient temperature) |            |

Values based on NGMN-P-BASTA (version 11.1) requirements.

| Left side, midband                          |     | Y1, connector 5–6                  |             |             |             |
|---|-----|------------------------------------|-------------|-------------|-------------|
| Frequency Range                             | MHz | 1695 – 1880                        | 1850 – 1990 | 1920 – 2200 | 2300 – 2360 |
| Gain at mid Tilt                            | dBi | 17.7                               | 18.0        | 18.5        | 19.1        |
| Gain over all Tilts                         | dBi | 17.5 ± 0.8                         | 17.9 ± 0.6  | 18.4 ± 1.1  | 19.1 ± 0.7  |
| <b>Horizontal Pattern:</b>                  |     |                                    |             |             |             |
| Azimuth Beamwidth                           | °   | 73 ± 6.1                           | 70 ± 2.9    | 66 ± 5.8    | 63 ± 2.5    |
| Front-to-Back Ratio, Total Power, ± 30°     | dB  | > 23                               | > 23        | > 26        | > 30        |
| Cross Polar Discrimination at Boresight     | dB  | > 18                               | > 19        | > 21        | > 21        |
| Azimuth Beam Port-to-Port Tracking          | dB  | 1.5                                | 3.5         | 3.5         | 2.0         |
| <b>Vertical Pattern:</b>                    |     |                                    |             |             |             |
| Elevation Beamwidth                         | °   | 5.6 ± 0.3                          | 5.2 ± 0.3   | 5.0 ± 0.4   | 4.5 ± 0.2   |
| Electrical Downtilt continuously adjustable | °   | 0.0 – 10.0                         |             |             |             |
| Tilt Accuracy                               | °   | < 0.2                              | < 0.2       | < 0.2       | < 0.2       |
| First Upper Sidelobe Suppression            | dB  | > 18                               | > 18        | > 18        | > 17        |
| Intra-Cluster Isolation                     | dB  | > 25                               |             |             |             |
| Inter-Cluster Isolation                     | dB  | > 25 (Y1 // R1, R2, Y2, Y3, Y4)    |             |             |             |
| Max. Effective Power per Port               | W   | 200 (at 50 °C ambient temperature) |             |             |             |
| Max. Effective Power Ports Y1               | W   | 400 (at 50 °C ambient temperature) |             |             |             |

Values based on NGMN-P-BASTA (version 11.1) requirements.

| Left side, center midband                   |     | Y2, connector 7–8                  |             |             |             |
|---|-----|------------------------------------|-------------|-------------|-------------|
| Frequency Range                             | MHz | 1695 – 1880                        | 1850 – 1990 | 1920 – 2200 | 2300 – 2360 |
| Gain at mid Tilt                            | dBi | 17.8                               | 18.0        | 18.6        | 18.9        |
| Gain over all Tilts                         | dBi | 17.7 ± 0.8                         | 18.0 ± 0.8  | 18.5 ± 1.1  | 18.9 ± 0.9  |
| <b>Horizontal Pattern:</b>                  |     |                                    |             |             |             |
| Azimuth Beamwidth                           | °   | 68 ± 6.1                           | 68 ± 5.2    | 65 ± 7.2    | 63 ± 5.5    |
| Front-to-Back Ratio, Total Power, ± 30°     | dB  | > 28                               | > 31        | > 32        | > 32        |
| Cross Polar Discrimination at Boresight     | dB  | > 19                               | > 20        | > 22        | > 19        |
| Azimuth Beam Port-to-Port Tracking          | dB  | 2.5                                | 4.5         | 3.5         | 5.5         |
| <b>Vertical Pattern:</b>                    |     |                                    |             |             |             |
| Elevation Beamwidth                         | °   | 5.6 ± 0.4                          | 5.2 ± 0.3   | 5.0 ± 0.4   | 4.5 ± 0.3   |
| Electrical Downtilt continuously adjustable | °   | 0.0 – 10.0                         |             |             |             |
| Tilt Accuracy                               | °   | < 0.2                              | < 0.3       | < 0.3       | < 0.3       |
| First Upper Sidelobe Suppression            | dB  | > 18                               | > 18        | > 18        | > 16        |
| Intra-Cluster Isolation                     | dB  | > 25                               |             |             |             |
| Inter-Cluster Isolation                     | dB  | > 25 (Y2 // R1, R2, Y1, Y3, Y4)    |             |             |             |
| Max. Effective Power per Port               | W   | 200 (at 50 °C ambient temperature) |             |             |             |
| Max. Effective Power Ports Y2               | W   | 400 (at 50 °C ambient temperature) |             |             |             |

Values based on NGMN-P-BASTA (version 11.1) requirements.

## Right side, center midband

## Y3, connector 9–10

| Frequency Range                             | MHz | 1695 – 1880                        | 1850 – 1990 | 1920 – 2200 | 2300 – 2360 |
|---|-----|------------------------------------|-------------|-------------|-------------|
| Gain at mid Tilt                            | dBi | 17.9                               | 18.1        | 18.6        | 19.1        |
| Gain over all Tilts                         | dBi | 17.8 ± 0.9                         | 18.0 ± 0.8  | 18.6 ± 1.2  | 19.1 ± 0.8  |
| <b>Horizontal Pattern:</b>                  |     |                                    |             |             |             |
| Azimuth Beamwidth                           | °   | 68 ± 6.9                           | 69 ± 5.8    | 65 ± 8.5    | 61 ± 4.6    |
| Front-to-Back Ratio, Total Power, ± 30°     | dB  | > 30                               | > 29        | > 30        | > 31        |
| Cross Polar Discrimination at Boresight     | dB  | > 19                               | > 19        | > 22        | > 22        |
| Azimuth Beam Port-to-Port Tracking          | dB  | 2.0                                | 3.5         | 4.5         | 4.0         |
| <b>Vertical Pattern:</b>                    |     |                                    |             |             |             |
| Elevation Beamwidth                         | °   | 5.5 ± 0.5                          | 5.1 ± 0.4   | 4.9 ± 0.4   | 4.4 ± 0.3   |
| Electrical Downtilt continuously adjustable | °   | 0.0 – 10.0                         |             |             |             |
| Tilt Accuracy                               | °   | < 0.3                              | < 0.3       | < 0.3       | < 0.3       |
| First Upper Sidelobe Suppression            | dB  | > 17                               | > 16        | > 16        | > 16        |
| Intra-Cluster Isolation                     | dB  | > 25                               |             |             |             |
| Inter-Cluster Isolation                     | dB  | > 25 (Y3 // R1, R2, Y1, Y2, Y4)    |             |             |             |
| Max. Effective Power per Port               | W   | 200 (at 50 °C ambient temperature) |             |             |             |
| Max. Effective Power Ports Y3               | W   | 400 (at 50 °C ambient temperature) |             |             |             |

Values based on NGMN-P-BASTA (version 11.1) requirements.

## Right side, midband

## Y4, connector 11–12

| Frequency Range                             | MHz | 1695 – 1880                        | 1850 – 1990 | 1920 – 2200 | 2300 – 2360 |
|---|-----|------------------------------------|-------------|-------------|-------------|
| Gain at mid Tilt                            | dBi | 17.7                               | 18.1        | 18.6        | 19.3        |
| Gain over all Tilts                         | dBi | 17.6 ± 0.8                         | 18.0 ± 0.8  | 18.4 ± 1.0  | 19.2 ± 0.9  |
| <b>Horizontal Pattern:</b>                  |     |                                    |             |             |             |
| Azimuth Beamwidth                           | °   | 74 ± 5.8                           | 72 ± 5.0    | 67 ± 6.4    | 63 ± 2.6    |
| Front-to-Back Ratio, Total Power, ± 30°     | dB  | > 24                               | > 26        | > 28        | > 29        |
| Cross Polar Discrimination at Boresight     | dB  | > 18                               | > 19        | > 22        | > 19        |
| Azimuth Beam Port-to-Port Tracking          | dB  | 2.0                                | 3.5         | 3.0         | 3.0         |
| <b>Vertical Pattern:</b>                    |     |                                    |             |             |             |
| Elevation Beamwidth                         | °   | 5.3 ± 0.4                          | 5.0 ± 0.3   | 4.7 ± 0.4   | 4.2 ± 0.2   |
| Electrical Downtilt continuously adjustable | °   | 0.0 – 10.0                         |             |             |             |
| Tilt Accuracy                               | °   | < 0.2                              | < 0.2       | < 0.2       | < 0.2       |
| First Upper Sidelobe Suppression            | dB  | > 16                               | > 16        | > 16        | > 15        |
| Intra-Cluster Isolation                     | dB  | > 25                               |             |             |             |
| Inter-Cluster Isolation                     | dB  | > 25 (Y4 // R1, R2, Y1, Y2, Y3)    |             |             |             |
| Max. Effective Power per Port               | W   | 200 (at 50 °C ambient temperature) |             |             |             |
| Max. Effective Power Ports Y4               | W   | 400 (at 50 °C ambient temperature) |             |             |             |

Values based on NGMN-P-BASTA (version 11.1) requirements.

## Electrical specifications, all ports

|                                      |            |                                     |
|--------------------------------------|------------|-------------------------------------|
| Impedance                            | $\Omega$   | 50                                  |
| VSWR                                 |            | < 1.5                               |
| Return Loss                          | dB         | > 14                                |
| Inter-Cluster Isolation              | dB         | > 25                                |
| Passive Intermodulation              | dBc        | < -153 (2 x 43 dBm carrier)         |
| Polarization                         | $^{\circ}$ | -45, +45                            |
| Max. Effective Power for the Antenna | W          | 1200 (at 50 °C ambient temperature) |

Values based on NGMN-P-BASTA (version 11.1) requirements.

## Mechanical specifications

|   |   |   |
|---|---|---|
| Input                                     | 12x 4.3-10 female   |   |
| Connector Position                        | bottom  |   |
| Adjustment Mechanism                      | FlexRET, continuously adjustable                                  |   |
| Wind load (at Rated Wind Speed: 150 km/h) | N   lbf   | Frontal: 1120   252<br>Maximal: 1270   286<br>Lateral: 440   99           |
| EPA                                       | m <sup>2</sup>   ft <sup>2</sup>                                  | Frontal: 1.029   11.08<br>Maximal: 1.166   12.55<br>Lateral: 0.404   4.35 |
| Wind Load Standard                        | EN 1994-1-4   |   |
| Wind Load Laboratory                      | TU Dresden; Göttinger-type wind tunnel                            |   |
| Max. Wind Velocity                        | km/h<br>mph   | 241<br>150  |
| Height / Width / Depth                    | mm<br>inches  | 2437 / 488 / 164<br>95.9 / 19.2 / 6.5                                     |
| Category of Mounting Hardware             | XM (X-Medium)   |   |
| Weight                                    | kg<br>lb  | 47.0 / 51.5 (clamps incl.)<br>103.6 / 113.5 (clamps incl.)                |
| Packing Size                              | mm<br>inches  | 2570 / 556 / 310<br>101.2 / 21.9 / 12.2                                   |
| Scope of Supply                           | Panel, FlexRET and clamps for 55–115 mm   2.2–4.5 inches diameter |   |

## Accessories (order separately if required)

| Product No. | Description          | Remarks<br>mm   inches           | Units per antenna |
|-------------|----------------------|----------------------------------|-------------------|
| 85010097    | 2 clamps             | Mast diameter: 110–220   4.3–8.7 | 1                 |
| 85010110    | 1 downtilt kit       | Downtilt angle: 0°–10°           | 1                 |
| 86010154    | Site Sharing Adapter | 3-way (see figure below)         |                   |
| 86010155    | Site Sharing Adapter | 6-way (see figure below)         |                   |

## Accessories (included in the scope of supply)

| Product No. | Description | Remarks<br>mm   inches                 | Units per antenna |
|-------------|-------------|--|-------------------|
| 85010111    | 2 clamps    | Mast diameter: 55–115   2.2–4.5        | 1                 |
| 86010167    | FlexRET     | Compliant to 3GPP / AISG 2.0 – AISG 3* | 1                 |

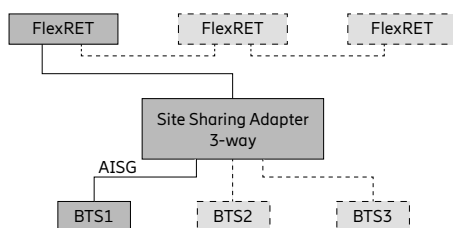
\* FlexRET 86010167 does not support AISG 3 feature MALD

For downtilt mounting use the clamps for an appropriate mast diameter together with the downtilt kit.  
Wall mounting: No additional mounting kit needed.

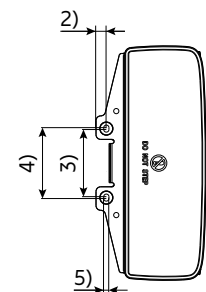
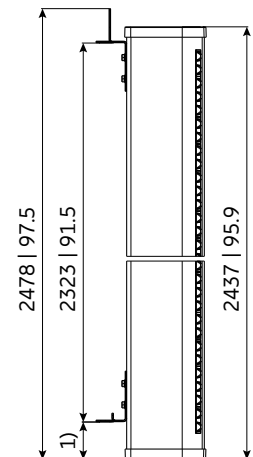
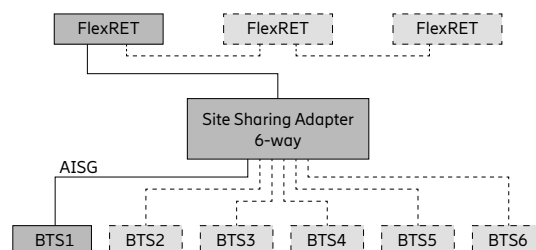
**Material:** **Reflector screen:** Aluminum.  
**Fiberglass housing:** It covers totally the internal antenna components. The special design reduces the sealing areas to a minimum and guarantees the best weather protection. Fiberglass material guarantees optimum performance with regards to stability, stiffness, UV resistance and painting. The color of the radome is light grey.

**Grounding:** The metal parts of the antenna including the mounting kit and the inner conductors are DC grounded.

## Configuration example with Site Sharing Adapter 86010154



## Configuration example with Site Sharing Adapter 86010155

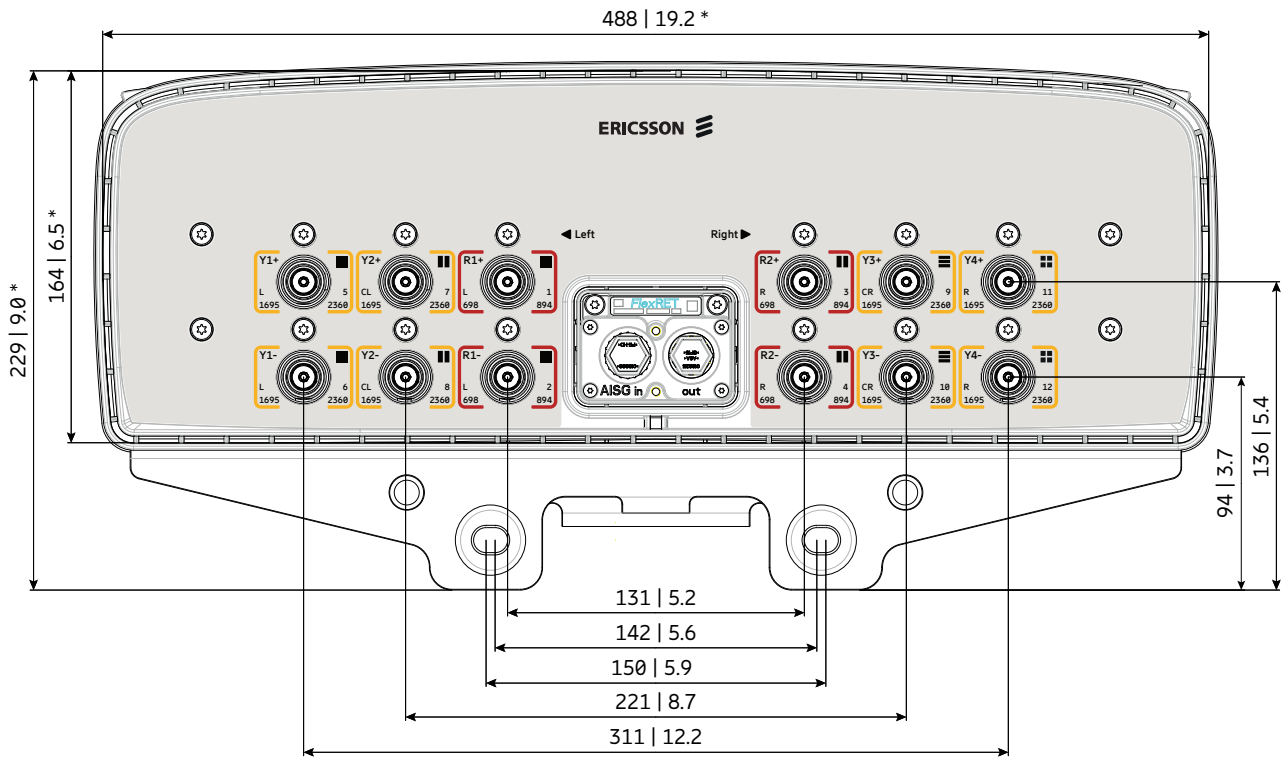


1) 79 | 3.1  
2) 22 | 0.9  
3) 142 | 5.6  
4) 150 | 5.9  
5)  $\varnothing$  11 | 0.4

All dimensions in mm | inches

For more information please refer to the respective data sheets.

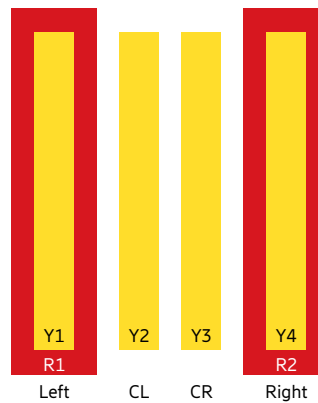
## Layout of interface



Bottom view  
\* Dimensions refer to radome  
All dimensions in mm | inches

## Correlation Table

| Frequency range | Array | Connector / Ports |
|-----------------|-------|-------------------|
| 698–894 MHz     | R1    | 1–2               |
| 698–894 MHz     | R2    | 3–4               |
| 1695–2360 MHz   | Y1    | 5–6               |
| 1695–2360 MHz   | Y2    | 7–8               |
| 1695–2360 MHz   | Y3    | 9–10              |
| 1695–2360 MHz   | Y4    | 11–12             |





# Antenna 4802 2L 4M 1.5m

KRE 101 2527/1

Capacity    Compact    Coverage

65° | 2x 698–894 MHz | 14.0 dBi  
65° | 4x 1695–2360 MHz | 19.0 dBi  
FlexRET



[ericsson.com/antenna-system](https://ericsson.com/antenna-system)



Scan or [click](#)

2LB nMB

| Left side, lowband                          |     | R1, connector 1–2                  |            |
|---|-----|------------------------------------|------------|
| Frequency Range                             | MHz | 698 – 806                          | 824 – 894  |
| Gain at mid Tilt                            | dBi | 12.8                               | 13.8       |
| Gain over all Tilts                         | dBi | 12.8 ± 0.3                         | 13.8 ± 0.2 |
| <b>Horizontal Pattern:</b>                  |     |                                    |            |
| Azimuth Beamwidth                           | °   | 68 ± 8.1                           | 58 ± 5.9   |
| Front-to-Back Ratio, Total Power, ± 30°     | dB  | > 23                               | > 24       |
| <b>Vertical Pattern:</b>                    |     |                                    |            |
| Elevation Beamwidth                         | °   | 16.0 ± 0.9                         | 14.6 ± 0.6 |
| Electrical Downtilt continuously adjustable | °   | 2.5 – 10.0                         |            |
| Tilt Accuracy                               | °   | < 1.0                              | < 1.0      |
| First Upper Sidelobe Suppression            | dB  | > 14                               | > 15       |
| Intra-Cluster Isolation                     | dB  | > 25                               |            |
| Inter-Cluster Isolation                     | dB  | > 25 (R1 // R2, Y1, Y2, Y3, Y4)    |            |
| Max. Effective Power per Port               | W   | 300 (at 50 °C ambient temperature) |            |

Values based on NGMN-P-BASTA (version 11.1) requirements.

| Right side, lowband                         |     | R2, connector 3–4                  |            |
|---|-----|------------------------------------|------------|
| Frequency Range                             | MHz | 698 – 806                          | 824 – 894  |
| Gain at mid Tilt                            | dBi | 12.7                               | 13.8       |
| Gain over all Tilts                         | dBi | 12.8 ± 0.3                         | 13.7 ± 0.3 |
| <b>Horizontal Pattern:</b>                  |     |                                    |            |
| Azimuth Beamwidth                           | °   | 66 ± 8.4                           | 57 ± 7.0   |
| Front-to-Back Ratio, Total Power, ± 30°     | dB  | > 22                               | > 25       |
| <b>Vertical Pattern:</b>                    |     |                                    |            |
| Elevation Beamwidth                         | °   | 15.9 ± 0.9                         | 14.7 ± 0.7 |
| Electrical Downtilt continuously adjustable | °   | 2.5 – 10.0                         |            |
| Tilt Accuracy                               | °   | < 1.0                              | < 1.0      |
| First Upper Sidelobe Suppression            | dB  | > 13                               | > 14       |
| Intra-Cluster Isolation                     | dB  | > 25                               |            |
| Inter-Cluster Isolation                     | dB  | > 25 (R2 // R1, Y1, Y2, Y3, Y4)    |            |
| Max. Effective Power per Port               | W   | 300 (at 50 °C ambient temperature) |            |

Values based on NGMN-P-BASTA (version 11.1) requirements.

| Left side, midband                          |     | Y1, connector 5–6                  |             |             |             |
|---|-----|------------------------------------|-------------|-------------|-------------|
| Frequency Range                             | MHz | 1695 – 1880                        | 1850 – 1990 | 1920 – 2200 | 2300 – 2360 |
| Gain at mid Tilt                            | dBi | 16.9                               | 17.4        | 17.9        | 18.7        |
| Gain over all Tilts                         | dBi | 16.9 ± 0.8                         | 17.4 ± 0.8  | 18.0 ± 1.0  | 18.7 ± 0.8  |
| <b>Horizontal Pattern:</b>                  |     |                                    |             |             |             |
| Azimuth Beamwidth                           | °   | 70 ± 5.9                           | 64 ± 7.3    | 59 ± 7.8    | 54 ± 4.7    |
| Front-to-Back Ratio, Total Power, ± 30°     | dB  | > 23                               | > 26        | > 27        | > 29        |
| <b>Vertical Pattern:</b>                    |     |                                    |             |             |             |
| Elevation Beamwidth                         | °   | 7.0 ± 0.5                          | 6.4 ± 0.3   | 6.0 ± 0.5   | 5.5 ± 0.2   |
| Electrical Downtilt continuously adjustable | °   | 0.0 – 12.0                         |             |             |             |
| Tilt Accuracy                               | °   | < 0.5                              | < 0.5       | < 0.5       | < 0.5       |
| First Upper Sidelobe Suppression            | dB  | > 15                               | > 15        | > 15        | > 15        |
| Intra-Cluster Isolation                     | dB  | > 25                               |             |             |             |
| Inter-Cluster Isolation                     | dB  | > 25 (Y1 // R1, R2, Y2, Y3, Y4)    |             |             |             |
| Max. Effective Power per Port               | W   | 200 (at 50 °C ambient temperature) |             |             |             |

Values based on NGMN-P-BASTA (version 11.1) requirements.

| Left side, center midband                   |     | Y2, connector 7–8                  |             |             |             |
|---|-----|------------------------------------|-------------|-------------|-------------|
| Frequency Range                             | MHz | 1695 – 1880                        | 1850 – 1990 | 1920 – 2200 | 2300 – 2360 |
| Gain at mid Tilt                            | dBi | 16.7                               | 17.1        | 17.8        | 18.8        |
| Gain over all Tilts                         | dBi | 16.7 ± 0.7                         | 17.2 ± 0.6  | 17.8 ± 1.0  | 18.8 ± 0.8  |
| <b>Horizontal Pattern:</b>                  |     |                                    |             |             |             |
| Azimuth Beamwidth                           | °   | 74 ± 7.0                           | 67 ± 5.1    | 60 ± 7.7    | 52 ± 5.7    |
| Front-to-Back Ratio, Total Power, ± 30°     | dB  | > 28                               | > 29        | > 30        | > 32        |
| <b>Vertical Pattern:</b>                    |     |                                    |             |             |             |
| Elevation Beamwidth                         | °   | 7.0 ± 0.5                          | 6.5 ± 0.4   | 6.1 ± 0.5   | 5.5 ± 0.2   |
| Electrical Downtilt continuously adjustable | °   | 0.0 – 12.0                         |             |             |             |
| Tilt Accuracy                               | °   | < 0.5                              | < 0.5       | < 0.5       | < 0.5       |
| First Upper Sidelobe Suppression            | dB  | > 15                               | > 15        | > 15        | > 15        |
| Intra-Cluster Isolation                     | dB  | > 25                               |             |             |             |
| Inter-Cluster Isolation                     | dB  | > 25 (Y2 // R1, R2, Y1, Y3, Y4)    |             |             |             |
| Max. Effective Power per Port               | W   | 200 (at 50 °C ambient temperature) |             |             |             |

Values based on NGMN-P-BASTA (version 11.1) requirements.



## Right side, center midband

## Y3, connector 9–10

| Frequency Range                             | MHz | 1695 – 1880                        | 1850 – 1990 | 1920 – 2200 | 2300 – 2360 |
|---|-----|------------------------------------|-------------|-------------|-------------|
| Gain at mid Tilt                            | dBi | 16.6                               | 17.0        | 17.7        | 18.6        |
| Gain over all Tilts                         | dBi | 16.6 ± 0.7                         | 17.0 ± 0.6  | 17.6 ± 1.0  | 18.6 ± 1.1  |
| <b>Horizontal Pattern:</b>                  |     |                                    |             |             |             |
| Azimuth Beamwidth                           | °   | 75 ± 4.6                           | 68 ± 5.1    | 62 ± 7.7    | 52 ± 8.9    |
| Front-to-Back Ratio, Total Power, ± 30°     | dB  | > 30                               | > 30        | > 32        | > 33        |
| <b>Vertical Pattern:</b>                    |     |                                    |             |             |             |
| Elevation Beamwidth                         | °   | 6.8 ± 0.6                          | 6.3 ± 0.5   | 5.9 ± 0.7   | 5.4 ± 0.3   |
| Electrical Downtilt continuously adjustable | °   | 0.0 – 12.0                         |             |             |             |
| Tilt Accuracy                               | °   | < 0.5                              | < 0.5       | < 0.5       | < 0.5       |
| First Upper Sidelobe Suppression            | dB  | > 15                               | > 15        | > 15        | > 15        |
| Intra-Cluster Isolation                     | dB  | > 25                               |             |             |             |
| Inter-Cluster Isolation                     | dB  | > 25 (Y3 // R1, R2, Y1, Y2, Y4)    |             |             |             |
| Max. Effective Power per Port               | W   | 200 (at 50 °C ambient temperature) |             |             |             |

Values based on NGMN-P-BASTA (version 11.1) requirements.

## Right side, midband

## Y4, connector 11–12

| Frequency Range                             | MHz | 1695 – 1880                        | 1850 – 1990 | 1920 – 2200 | 2300 – 2360 |
|---|-----|------------------------------------|-------------|-------------|-------------|
| Gain at mid Tilt                            | dBi | 16.0                               | 16.6        | 17.3        | 18.2        |
| Gain over all Tilts                         | dBi | 16.1 ± 1.0                         | 16.6 ± 0.9  | 17.2 ± 1.1  | 18.2 ± 1.0  |
| <b>Horizontal Pattern:</b>                  |     |                                    |             |             |             |
| Azimuth Beamwidth                           | °   | 76 ± 4.6                           | 69 ± 4.4    | 64 ± 5.1    | 59 ± 5.2    |
| Front-to-Back Ratio, Total Power, ± 30°     | dB  | > 23                               | > 24        | > 26        | > 27        |
| <b>Vertical Pattern:</b>                    |     |                                    |             |             |             |
| Elevation Beamwidth                         | °   | 7.0 ± 0.6                          | 6.4 ± 0.4   | 6.1 ± 0.5   | 5.5 ± 0.2   |
| Electrical Downtilt continuously adjustable | °   | 0.0 – 12.0                         |             |             |             |
| Tilt Accuracy                               | °   | < 0.5                              | < 0.5       | < 0.5       | < 0.5       |
| First Upper Sidelobe Suppression            | dB  | > 15                               | > 15        | > 15        | > 15        |
| Intra-Cluster Isolation                     | dB  | > 25                               |             |             |             |
| Inter-Cluster Isolation                     | dB  | > 25 (Y4 // R1, R2, Y1, Y2, Y3)    |             |             |             |
| Max. Effective Power per Port               | W   | 200 (at 50 °C ambient temperature) |             |             |             |

Values based on NGMN-P-BASTA (version 11.1) requirements.

## Electrical specifications, all ports

|                                      |            |                                     |
|--------------------------------------|------------|-------------------------------------|
| Impedance                            | $\Omega$   | 50                                  |
| VSWR                                 |            | < 1.5                               |
| Return Loss                          | dB         | > 14                                |
| Inter-Cluster Isolation              | dB         | > 25                                |
| Passive Intermodulation              | dBc        | < -153 (2 x 43 dBm carrier)         |
| Polarization                         | $^{\circ}$ | -45, +45                            |
| Max. Effective Power for the Antenna | W          | 1000 (at 50 °C ambient temperature) |

Values based on NGMN-P-BASTA (version 11.1) requirements.

## Mechanical specifications

|   |   |   |
|---|---|---|
| Input                                     | 12x 4.3-10 female   |   |
| Connector Position                        | bottom  |   |
| Adjustment Mechanism                      | FlexRET, continuously adjustable                                  |   |
| Wind load (at Rated Wind Speed: 150 km/h) | N   lbf   | Frontal: 670   150<br>Maximal: 760   170<br>Lateral: 265   59           |
| EPA                                       | m <sup>2</sup>   ft <sup>2</sup>                                  | Frontal: 0.614   6.61<br>Maximal: 0.697   7.49<br>Lateral: 0.241   2.59 |
| Wind Load Standard                        | EN 1994-1-4   |   |
| Wind Load Laboratory                      | TU Dresden; Göttinger-type wind tunnel                            |   |
| Max. Wind Velocity                        | km/h<br>mph   | 241<br>150  |
| Height / Width / Depth                    | mm<br>inches  | 1499 / 488 / 164<br>59.0 / 19.2 / 6.5                                   |
| Category of Mounting Hardware             | XM (X-Medium)   |   |
| Weight                                    | kg<br>lb  | 33.5 / 38.0 (clamps incl.)<br>73.9 / 83.8 (clamps incl.)                |
| Packing Size                              | mm<br>inches  | 1650 / 550 / 293<br>65.0 / 21.7 / 11.5                                  |
| Scope of Supply                           | Panel, FlexRET and clamps for 55–115 mm   2.2–4.5 inches diameter |   |

## Accessories (order separately if required)

| Product No. | Description          | Remarks<br>mm   inches           | Units per antenna |
|-------------|----------------------|----------------------------------|-------------------|
| 85010097    | 2 clamps             | Mast diameter: 110–220   4.3–8.7 | 1                 |
| 85010110    | 1 downtilt kit       | Downtilt angle: 0°–10°           | 1                 |
| 86010154    | Site Sharing Adapter | 3-way (see figure below)         |                   |
| 86010155    | Site Sharing Adapter | 6-way (see figure below)         |                   |

## Accessories (included in the scope of supply)

| Product No. | Description | Remarks<br>mm   inches                 | Units per antenna |
|-------------|-------------|--|-------------------|
| 85010111    | 2 clamps    | Mast diameter: 55–115   2.2–4.5        | 1                 |
| 86010167    | FlexRET     | Compliant to 3GPP / AISG 2.0 – AISG 3* | 1                 |

\* FlexRET 86010167 does not support AISG 3 feature MALD

For downtilt mounting use the clamps for an appropriate mast diameter together with the downtilt kit. Wall mounting: No additional mounting kit needed.

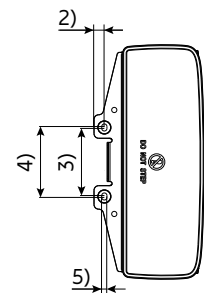
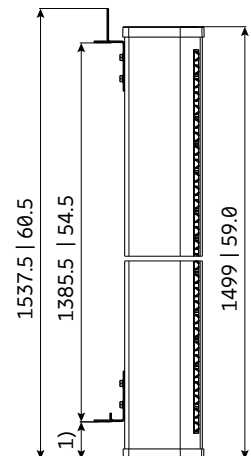
## Material:

**Reflector screen:** Aluminum.

**Fiberglass housing:** It covers totally the internal antenna components. The special design reduces the sealing areas to a minimum and guarantees the best weather protection. Fiberglass material guarantees optimum performance with regards to stability, stiffness, UV resistance and painting. The color of the radome is light grey.

## Grounding:

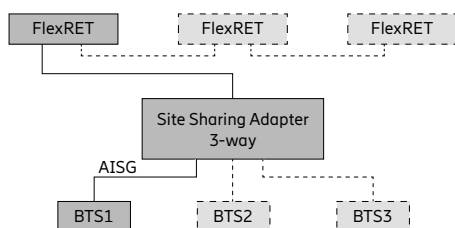
The metal parts of the antenna including the mounting kit and the inner conductors are DC grounded.



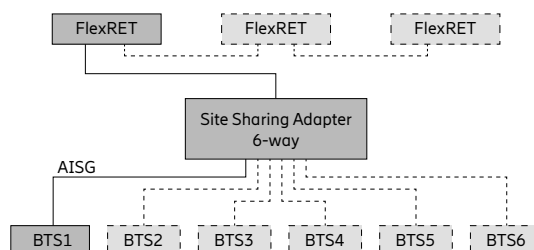
- 1) 79 | 3.1  
2) 22 | 0.9  
3) 142 | 5.6  
4) 150 | 5.9  
5) 11 | 0.4

All dimensions in mm | inches

## Configuration example with Site Sharing Adapter 86010154

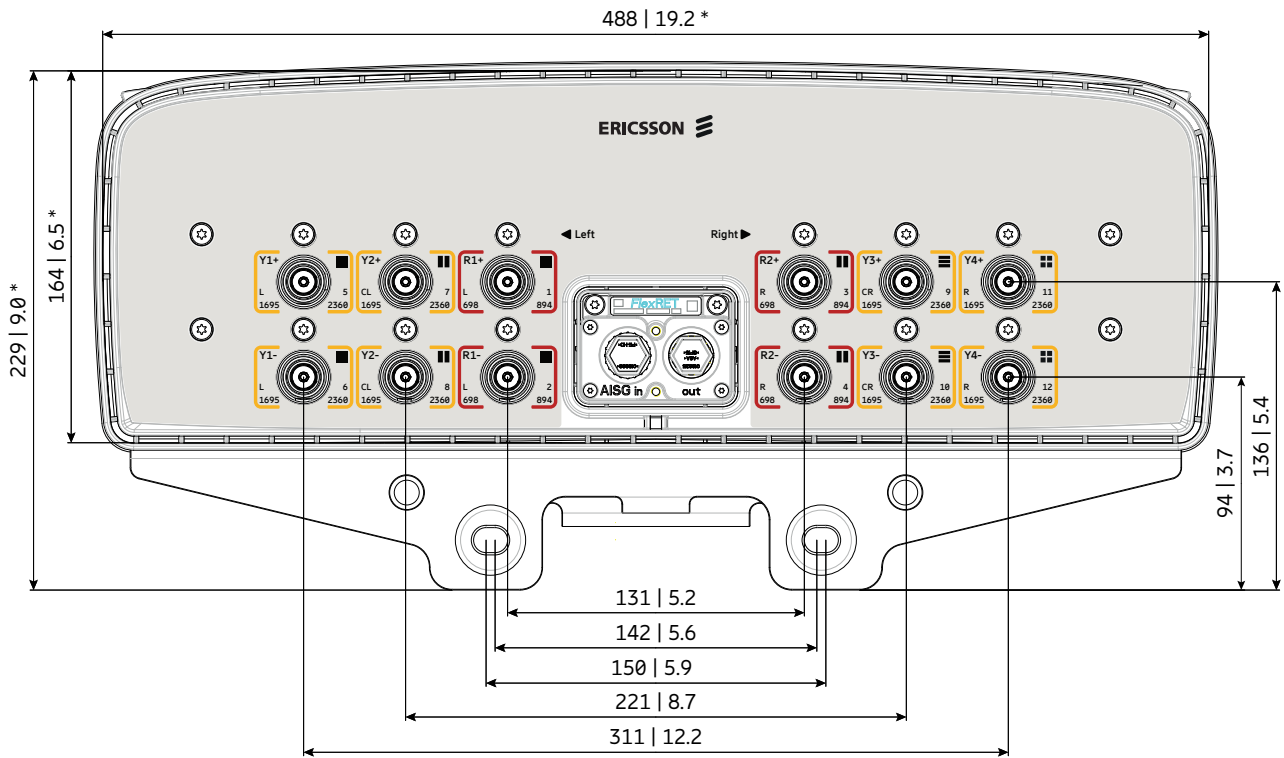


## Configuration example with Site Sharing Adapter 86010155



For more information please refer to the respective data sheets.

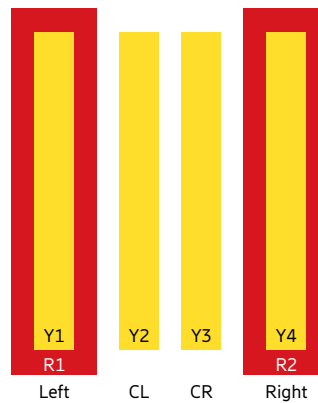
## Layout of interface



Bottom view  
\* Dimensions refer to radome  
All dimensions in mm | inches

## Correlation Table

| Frequency range | Array | Connector / Ports |
|-----------------|-------|-------------------|
| 698–894 MHz     | R1    | 1–2               |
| 698–894 MHz     | R2    | 3–4               |
| 1695–2360 MHz   | Y1    | 5–6               |
| 1695–2360 MHz   | Y2    | 7–8               |
| 1695–2360 MHz   | Y3    | 9–10              |
| 1695–2360 MHz   | Y4    | 11–12             |





2LB nMB

# Antenna 4500 2L 5M 2.0m

800442025

Capacity

Compact

Coverage

65° | 2x 698–960 MHz | 15.9 dBi  
65° | 2x 1427–2180 MHz | 17.0 dBi  
65° | 2x 2490–2690 MHz | 17.0 dBi  
65° | 1x 1695–2690 MHz | 17.6 dBi  
FlexRET



[ericsson.com/antenna-system](https://ericsson.com/antenna-system)



Scan or [click](#)

| Left side, lowband                          |     | R1, connector 1–2                   |            |            |            |
|---|-----|-------------------------------------|------------|------------|------------|
| Frequency Range                             | MHz | 698 – 806                           | 791 – 862  | 824 – 894  | 880 – 960  |
| Gain at mid Tilt                            | dBi | 14.5                                | 15.1       | 15.4       | 15.9       |
| Gain over all Tilts                         | dBi | 14.5 ± 0.5                          | 15.1 ± 0.5 | 15.4 ± 0.5 | 15.8 ± 0.4 |
| <b>Horizontal Pattern:</b>                  |     |                                     |            |            |            |
| Azimuth Beamwidth                           | °   | 67 ± 4.9                            | 60 ± 6.2   | 56 ± 3.8   | 52 ± 5.0   |
| Front-to-Back Ratio, Total Power, ± 30°     | dB  | > 21                                | > 21       | > 21       | > 23       |
| <b>Vertical Pattern:</b>                    |     |                                     |            |            |            |
| Elevation Beamwidth                         | °   | 11.5 ± 0.7                          | 11.0 ± 0.6 | 10.7 ± 0.4 | 10.1 ± 0.8 |
| Electrical Downtilt continuously adjustable | °   | 2.5 – 11.5                          |            |            |            |
| Tilt Accuracy                               | °   | < 0.4                               | < 0.4      | < 0.4      | < 0.4      |
| First Upper Side Lobe Suppression           | dB  | > 16                                | > 18       | > 21       | > 19       |
| Cross Polar Isolation                       | dB  | > 25                                |            |            |            |
| Port to Port Isolation                      | dB  | > 25 (R1 // R2, B1, B2, Y1, Y2, Y3) |            |            |            |
| Max. Effective Power per Port               | W   | 400 (at 50 °C ambient temperature)  |            |            |            |

Values based on NGMN-P-BASTA (version 10.0) requirements.

| Right side, lowband                         |     | R2, connector 3–4                   |            |            |            |
|---|-----|-------------------------------------|------------|------------|------------|
| Frequency Range                             | MHz | 698 – 806                           | 791 – 862  | 824 – 894  | 880 – 960  |
| Gain at mid Tilt                            | dBi | 14.4                                | 15.1       | 15.4       | 15.9       |
| Gain over all Tilts                         | dBi | 14.4 ± 0.6                          | 15.0 ± 0.5 | 15.4 ± 0.4 | 15.8 ± 0.5 |
| <b>Horizontal Pattern:</b>                  |     |                                     |            |            |            |
| Azimuth Beamwidth                           | °   | 67 ± 6.2                            | 60 ± 5.6   | 57 ± 3.5   | 53 ± 6.1   |
| Front-to-Back Ratio, Total Power, ± 30°     | dB  | > 21                                | > 22       | > 21       | > 22       |
| <b>Vertical Pattern:</b>                    |     |                                     |            |            |            |
| Elevation Beamwidth                         | °   | 11.6 ± 0.9                          | 10.9 ± 0.6 | 10.7 ± 0.4 | 10.2 ± 0.8 |
| Electrical Downtilt continuously adjustable | °   | 2.5 – 11.5                          |            |            |            |
| Tilt Accuracy                               | °   | < 0.5                               | < 0.4      | < 0.5      | < 0.4      |
| First Upper Side Lobe Suppression           | dB  | > 15                                | > 17       | > 19       | > 20       |
| Cross Polar Isolation                       | dB  | > 25                                |            |            |            |
| Port to Port Isolation                      | dB  | > 25 (R2 // R1, B1, B2, Y1, Y2, Y3) |            |            |            |
| Max. Effective Power per Port               | W   | 400 (at 50 °C ambient temperature)  |            |            |            |

Values based on NGMN-P-BASTA (version 10.0) requirements.

| Left side, midbands                                 |     | B1, connector 5–6                   |             |             |             | Y1, connector 9–10                  |
|---|-----|-------------------------------------|-------------|-------------|-------------|-------------------------------------|
| Frequency Range                                     | MHz | 1427 – 1518                         | 1695 – 1880 | 1850 – 1990 | 1920 – 2180 | 2490 – 2690                         |
| Gain at mid Tilt                                    | dBi | 15.5                                | 16.8        | 16.9        | 17.0        | 17.0                                |
| Gain over all Tilts                                 | dBi | 15.4 ± 0.6                          | 16.7 ± 0.5  | 16.8 ± 0.6  | 16.9 ± 0.7  | 16.9 ± 0.8                          |
| <b>Horizontal Pattern:</b>                          |     |                                     |             |             |             |                                     |
| Azimuth Beamwidth                                   | °   | 73 ± 5.4                            | 66 ± 4.1    | 67 ± 5.2    | 65 ± 6.8    | 56 ± 5.5                            |
| Front-to-Back Ratio, Total Power, ± 30°             | dB  | > 27                                | > 29        | > 29        | > 27        | > 28                                |
| <b>Vertical Pattern:</b>                            |     |                                     |             |             |             |                                     |
| Elevation Beamwidth                                 | °   | 9.5 ± 0.6                           | 7.9 ± 0.6   | 7.3 ± 0.4   | 7.0 ± 0.5   | 5.6 ± 0.4                           |
| Electrical Downtilt continuously adjustable         | °   | 2.0 – 12.0                          |             |             |             | 2.0 – 12.0                          |
| Tilt Accuracy                                       | °   | < 0.3                               | < 0.2       | < 0.3       | < 0.3       | < 0.2                               |
| First Upper Side Lobe Suppression                   | dB  | > 19                                | > 17        | > 16        | > 16        | > 15                                |
| Cross Polar Isolation                               | dB  | > 25                                |             |             |             | > 25                                |
| Port to Port Isolation                              | dB  | > 25 (B1 // R1, R2, B2, Y1, Y2, Y3) |             |             |             | > 25 (Y1 // R1, R2, B1, B2, Y2, Y3) |
| Max. Effective Power per Port                       | W   | 150 (at 50 °C ambient temperature)  |             |             |             | 120 (at 50 °C ambient temperature)  |
| Max. Effective Power for Group of Ports 5+9 // 6+10 | W   | 200 (at 50 °C ambient temperature)  |             |             |             |                                     |

Values based on NGMN-P-BASTA (version 10.0) requirements.

| Right side, midbands                                 |     | B2, connector 7–8                   |             |             |             | Y3, connector 13–14                 |
|--|-----|-------------------------------------|-------------|-------------|-------------|-------------------------------------|
| Frequency Range                                      | MHz | 1427 – 1518                         | 1695 – 1880 | 1850 – 1990 | 1920 – 2180 | 2490 – 2690                         |
| Gain at mid Tilt                                     | dBi | 15.2                                | 16.7        | 16.9        | 17.1        | 17.0                                |
| Gain over all Tilts                                  | dBi | 15.3 ± 0.6                          | 16.6 ± 0.5  | 16.7 ± 0.6  | 16.9 ± 0.8  | 16.8 ± 0.8                          |
| <b>Horizontal Pattern:</b>                           |     |                                     |             |             |             |                                     |
| Azimuth Beamwidth                                    | °   | 74 ± 4.5                            | 67 ± 3.7    | 66 ± 5.2    | 64 ± 6.3    | 56 ± 5.0                            |
| Front-to-Back Ratio, Total Power, ± 30°              | dB  | > 25                                | > 28        | > 27        | > 27        | > 27                                |
| <b>Vertical Pattern:</b>                             |     |                                     |             |             |             |                                     |
| Elevation Beamwidth                                  | °   | 9.6 ± 0.7                           | 7.8 ± 0.5   | 7.3 ± 0.4   | 7.0 ± 0.5   | 5.6 ± 0.4                           |
| Electrical Downtilt continuously adjustable          | °   | 2.0 – 12.0                          |             |             |             | 2.0 – 12.0                          |
| Tilt Accuracy  | °   | < 0.4                               | < 0.2       | < 0.3       | < 0.3       | < 0.3                               |
| First Upper Side Lobe Suppression                    | dB  | > 19                                | > 16        | > 15        | > 15        | > 15                                |
| Cross Polar Isolation                                | dB  | > 25                                |             |             |             | > 25                                |
| Port to Port Isolation                               | dB  | > 25 (B2 // R1, R2, B1, Y1, Y2, Y3) |             |             |             | > 25 (Y3 // R1, R2, B1, B2, Y1, Y2) |
| Max. Effective Power per Port                        | W   | 150 (at 50 °C ambient temperature)  |             |             |             | 120 (at 50 °C ambient temperature)  |
| Max. Effective Power for Group of Ports 7+13 // 8+14 | W   | 200 (at 50 °C ambient temperature)  |             |             |             |                                     |

Values based on NGMN-P-BASTA (version 10.0) requirements.

| Center, midband                             |     | Y2, connector 11–12                 |             |             |             |             |
|---|-----|-------------------------------------|-------------|-------------|-------------|-------------|
| Frequency Range                             | MHz | 1695 – 1880                         | 1850 – 1990 | 1920 – 2200 | 2300 – 2400 | 2490 – 2690 |
| Gain at mid Tilt                            | dBi | 16.7                                | 17.1        | 17.3        | 17.6        | 17.4        |
| Gain over all Tilts                         | dBi | 16.7 ± 0.7                          | 17.0 ± 0.5  | 17.2 ± 0.6  | 17.5 ± 0.6  | 17.4 ± 0.5  |
| <b>Horizontal Pattern:</b>                  |     |                                     |             |             |             |             |
| Azimuth Beamwidth                           | °   | 54 ± 4.6                            | 58 ± 6.0    | 59 ± 3.1    | 59 ± 5.3    | 62 ± 3.7    |
| Front-to-Back Ratio, Total Power, ± 30°     | dB  | > 28                                | > 28        | > 29        | > 31        | > 30        |
| <b>Vertical Pattern:</b>                    |     |                                     |             |             |             |             |
| Elevation Beamwidth                         | °   | 9.0 ± 0.7                           | 8.2 ± 0.3   | 7.8 ± 0.5   | 7.1 ± 0.3   | 6.6 ± 0.4   |
| Electrical Downtilt continuously adjustable | °   | 2.0 – 12.0                          |             |             |             |             |
| Tilt Accuracy                               | °   | < 0.3                               | < 0.3       | < 0.3       | < 0.3       | < 0.4       |
| First Upper Side Lobe Suppression           | dB  | > 17                                | > 17        | > 17        | > 16        | > 19        |
| Cross Polar Isolation                       | dB  | > 25                                |             |             |             |             |
| Port to Port Isolation                      | dB  | > 25 (Y2 // R1, R2, B1, B2, Y1, Y3) |             |             |             |             |
| Max. Effective Power per Port               | W   | 200 (at 50 °C ambient temperature)  |             |             |             |             |

Values based on NGMN-P-BASTA (version 10.0) requirements.

## Electrical specifications, all ports

|                                      |          |                                     |
|--------------------------------------|----------|-------------------------------------|
| Impedance                            | $\Omega$ | 50                                  |
| VSWR                                 |          | < 1.5                               |
| Return Loss                          | dB       | > 14                                |
| Interband Isolation                  | dB       | > 25                                |
| Passive Intermodulation              | dBc      | < -153 (2 x 43 dBm carrier)*        |
| Polarization                         | °        | +45, -45                            |
| Max. Effective Power for the Antenna | W        | 1200 (at 50 °C ambient temperature) |

Values based on NGMN-P-BASTA (version 10.0) requirements.

\* not applicable for L-band

## Mechanical specifications

|   |   |   |
|---|---|---|
| Input                                     | 14 x 4.3-10 female  |   |
| Connector Position                        | bottom  |   |
| Adjustment Mechanism                      | FlexRET, continuously adjustable                                  |   |
| Wind load (at Rated Wind Speed: 150 km/h) | N   lbf   | Frontal: 725   163<br>Maximal: 950   214                  |
| Max. Wind Velocity                        | km/h<br>mph   | 241<br>150  |
| Height / Width / Depth                    | mm<br>inches  | 1999 / 448 / 164<br>78.7 / 17.6 / 6.5                     |
| Category of Mounting Hardware             | XM (X-Medium)   |   |
| Weight                                    | kg<br>lb  | 43.0 / 47.5 (clamps incl.)<br>94.8 / 104.7 (clamps incl.) |
| Packing Size                              | mm<br>inches  | 2150 / 510 / 293<br>84.6 / 20.1 / 11.5                    |
| Scope of Supply                           | Panel, FlexRET and clamps for 55–115 mm   2.2–4.5 inches diameter |   |

## Accessories (order separately if required)

| Product No.   | Description          | Remarks<br>mm   inches                            | Units per antenna |
|---------------|----------------------|---|-------------------|
| 85010097      | 2 clamps             | Mast diameter: 110–220   4.3–8.7                  | 1                 |
| 85010110      | 1 downtilt kit       | Downtilt angle: 0°–10°                            | 1                 |
| 85010213      | MIK                  | incl. clamps, windshield and spacer               | 1                 |
| 86010154      | Site Sharing Adapter | 3-way (see figure below)                          |                   |
| 86010155      | Site Sharing Adapter | 6-way (see figure below)                          |                   |
| 86010162      | Gender Adapter       | To be used in combination with the FlexRET module | 1                 |
| KRY 121 108/1 | Port Extender        |   | 1                 |

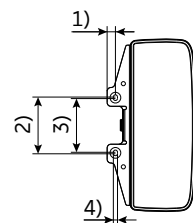
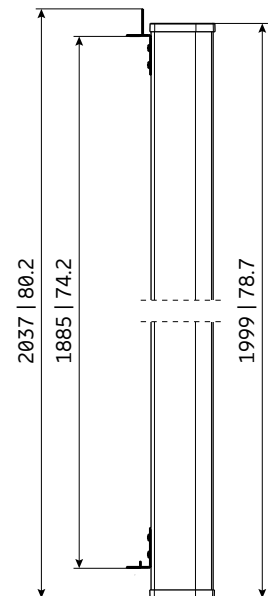
## Accessories (included in the scope of supply)

| Product No. | Description | Remarks<br>mm   inches                      | Units per antenna |
|-------------|-------------|---|-------------------|
| 85010111    | 2 clamps    | Mast diameter: 55–115   2.2–4.5             | 1                 |
| 86010165    | FlexRET     | Compliant to 3GPP / AISG 2.0 – AISG 3 ready | 1                 |

For downtilt mounting use the clamps for an appropriate mast diameter together with the downtilt kit.  
Wall mounting: No additional mounting kit needed.

**Material:** **Reflector screen:** Aluminum.  
**Fiberglass housing:** It covers totally the internal antenna components. The special design reduces the sealing areas to a minimum and guarantees the best weather protection. Fiberglass material guarantees optimum performance with regards to stability, stiffness, UV resistance and painting. The color of the radome is light grey.

**Grounding:** The metal parts of the antenna including the mounting kit and the inner conductors are DC grounded.

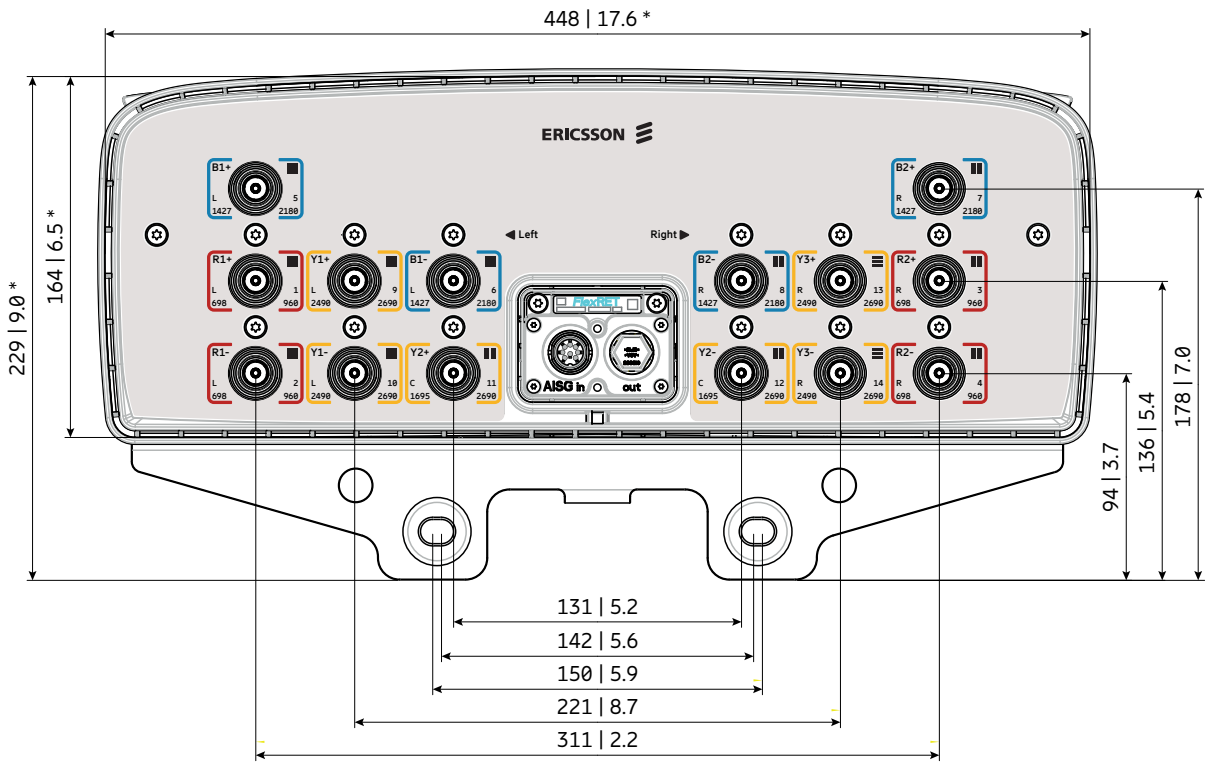


- 1) 22 | 0.9  
2) 150 | 5.9  
3) 142 | 5.6  
4) 11 | 0.4

All dimensions  
in mm | inches



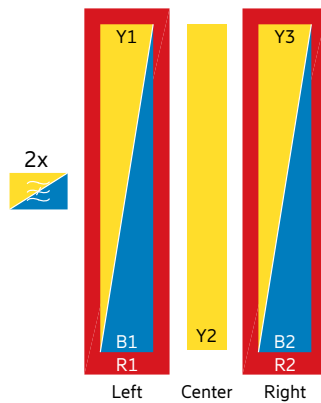
### Layout of interface



Bottom view  
 \* Dimensions refer to radome  
 All dimensions in mm | inches

### Correlation Table

| Frequency range | Array | Connector / Ports |
|-----------------|-------|-------------------|
| 698–960 MHz     | R1    | 1–2               |
| 698–960 MHz     | R2    | 3–4               |
| 1427–2180 MHz   | B1    | 5–6               |
| 1427–2180 MHz   | B2    | 7–8               |
| 2490–2690 MHz   | Y1    | 9–10              |
| 1695–2690 MHz   | Y2    | 11–12             |
| 2490–2690 MHz   | Y3    | 13–14             |





# Antenna 4600 2L 6M 2.6m

800442009

Capacity

Compact

Coverage

65° | 2x 698–960 | 16.7 dBi  
65° | 2x 1427–2690 | 17.3 dBi  
65° | 2x 1695–2690 | 16.7 dBi  
65° | 2x 1695–2690 | 17.2 dBi  
FlexRET



[ericsson.com/antenna-system](http://ericsson.com/antenna-system)



Scan or [click](#)

2LB nMB

| Left side, lowband                          |     | R1, connector 1–2                       |            |            |            |
|---|-----|---|------------|------------|------------|
| Frequency Range                             | MHz | 698 – 806                               | 791 – 862  | 824 – 894  | 880 – 960  |
| Gain at mid Tilt                            | dBi | 15.3                                    | 15.9       | 16.2       | 16.7       |
| Gain over all Tilts                         | dBi | 15.3 ± 0.6                              | 15.9 ± 0.4 | 16.2 ± 0.6 | 16.7 ± 0.5 |
| <b>Horizontal Pattern:</b>                  |     |   |            |            |            |
| Azimuth Beamwidth                           | °   | 70 ± 7                                  | 65 ± 4     | 62 ± 5     | 56 ± 7     |
| Front-to-Back Ratio, Total Power, ± 30°     | dB  | > 23                                    | > 23       | > 23       | > 22       |
| <b>Vertical Pattern:</b>                    |     |   |            |            |            |
| Elevation Beamwidth                         | °   | 9.2 ± 0.6                               | 8.8 ± 0.5  | 8.5 ± 0.6  | 8.0 ± 0.5  |
| Electrical Downtilt continuously adjustable | °   | 2.5 – 10                                |            |            |            |
| Tilt Accuracy                               | °   | < 0.5                                   | < 0.5      | < 0.6      | < 0.5      |
| First Upper Side Lobe Suppression           | dB  | > 15                                    | > 19       | > 20       | > 20       |
| Cross Polar Isolation                       | dB  | > 25                                    |            |            |            |
| Port to Port Isolation                      | dB  | > 25 (R1 // R2, Y1, Y2, Y3, Y4, Y5, Y6) |            |            |            |
| Max. Effective Power per Port               | W   | 400 (at 50 °C ambient temperature)      |            |            |            |

Values based on NGMN-P-BASTA (version 10.0) requirements.

| Right side, lowband                         |     | R2, connector 3–4                       |            |            |            |
|---|-----|---|------------|------------|------------|
| Frequency Range                             | MHz | 698 – 806                               | 791 – 862  | 824 – 894  | 880 – 960  |
| Gain at mid Tilt                            | dBi | 15.3                                    | 15.9       | 16.2       | 16.7       |
| Gain over all Tilts                         | dBi | 15.3 ± 0.6                              | 15.9 ± 0.4 | 16.2 ± 0.6 | 16.7 ± 0.5 |
| <b>Horizontal Pattern:</b>                  |     |   |            |            |            |
| Azimuth Beamwidth                           | °   | 70 ± 7                                  | 65 ± 4     | 62 ± 5     | 56 ± 7     |
| Front-to-Back Ratio, Total Power, ± 30°     | dB  | > 23                                    | > 23       | > 23       | > 22       |
| <b>Vertical Pattern:</b>                    |     |   |            |            |            |
| Elevation Beamwidth                         | °   | 9.2 ± 0.6                               | 8.8 ± 0.5  | 8.5 ± 0.6  | 8.0 ± 0.5  |
| Electrical Downtilt continuously adjustable | °   | 2.5 – 10                                |            |            |            |
| Tilt Accuracy                               | °   | < 0.5                                   | < 0.5      | < 0.6      | < 0.5      |
| First Upper Side Lobe Suppression           | dB  | > 15                                    | > 19       | > 20       | > 20       |
| Cross Polar Isolation                       | dB  | > 25                                    |            |            |            |
| Port to Port Isolation                      | dB  | > 25 (R2 // R1, Y1, Y2, Y3, Y4, Y5, Y6) |            |            |            |
| Max. Effective Power per Port               | W   | 400 (at 50 °C ambient temperature)      |            |            |            |

Values based on NGMN-P-BASTA (version 10.0) requirements.

| Left side, lower midband                    |     | Y1, connector 5–6                       |             |             |             |             |             |
|---|-----|---|-------------|-------------|-------------|-------------|-------------|
| Frequency Range                             | MHz | 1427 – 1518                             | 1695 – 1880 | 1850 – 1990 | 1920 – 2170 | 2300 – 2400 | 2500 – 2690 |
| Gain at mid Tilt                            | dBi | 15.7                                    | 16.9        | 17.1        | 17.3        | 17.2        | 17.3        |
| Gain over all Tilts                         | dBi | 15.7 ± 0.5                              | 16.8 ± 0.6  | 17.0 ± 0.5  | 17.2 ± 0.7  | 17.1 ± 0.8  | 17.1 ± 0.8  |
| <b>Horizontal Pattern:</b>                  |     |   |             |             |             |             |             |
| Azimuth Beamwidth                           | °   | 71 ± 5                                  | 68 ± 4      | 68 ± 5      | 65 ± 7      | 63 ± 4      | 56 ± 5      |
| Front-to-Back Ratio, Total Power, ± 30°     | dB  | > 25                                    | > 28        | > 28        | > 28        | > 27        | > 26        |
| <b>Vertical Pattern:</b>                    |     |   |             |             |             |             |             |
| Elevation Beamwidth                         | °   | 9.0 ± 0.5                               | 7.8 ± 0.5   | 7.1 ± 0.4   | 6.8 ± 0.5   | 6.3 ± 0.5   | 5.9 ± 0.5   |
| Electrical Downtilt continuously adjustable | °   | 2 – 12                                  |             |             |             |             |             |
| Tilt Accuracy                               | °   | < 0.5                                   | < 0.5       | < 0.4       | < 0.4       | < 0.4       | < 0.3       |
| First Upper Side Lobe Suppression           | dB  | > 15                                    | > 16        | > 16        | > 15        | > 15        | > 16        |
| Cross Polar Isolation                       | dB  | > 25                                    |             |             |             |             |             |
| Port to Port Isolation                      | dB  | > 25 (Y1 // R1, R2, Y2, Y3, Y4, Y5, Y6) |             |             |             |             |             |
| Max. Effective Power per Port               | W   | 200 (at 50 °C ambient temperature)      |             |             |             |             |             |

Values based on NGMN-P-BASTA (version 10.0) requirements.

| Left side, upper midband                    |     | Y2, connector 7–8                       |             |             |             |             |
|---|-----|---|-------------|-------------|-------------|-------------|
| Frequency Range                             | MHz | 1695 – 1880                             | 1850 – 1990 | 1920 – 2170 | 2300 – 2400 | 2500 – 2690 |
| Gain at mid Tilt                            | dBi | 16.5                                    | 16.7        | 16.7        | 16.4        | 16.7        |
| Gain over all Tilts                         | dBi | 16.4 ± 0.6                              | 16.6 ± 0.7  | 16.7 ± 0.7  | 16.4 ± 0.7  | 16.6 ± 0.8  |
| <b>Horizontal Pattern:</b>                  |     |   |             |             |             |             |
| Azimuth Beamwidth                           | °   | 65 ± 3                                  | 63 ± 4      | 61 ± 3      | 64 ± 4      | 58 ± 5      |
| Front-to-Back Ratio, Total Power, ± 30°     | dB  | > 28                                    | > 28        | > 26        | > 26        | > 26        |
| <b>Vertical Pattern:</b>                    |     |   |             |             |             |             |
| Elevation Beamwidth                         | °   | 7.8 ± 0.5                               | 7.2 ± 0.3   | 7.0 ± 0.4   | 6.3 ± 0.3   | 5.8 ± 0.3   |
| Electrical Downtilt continuously adjustable | °   | 2 – 12                                  |             |             |             |             |
| Tilt Accuracy                               | °   | < 0.3                                   | < 0.3       | < 0.3       | < 0.3       | < 0.3       |
| First Upper Side Lobe Suppression           | dB  | > 15                                    | > 15        | > 15        | > 16        | > 18        |
| Cross Polar Isolation                       | dB  | > 25                                    |             |             |             |             |
| Port to Port Isolation                      | dB  | > 25 (Y2 // R1, R2, Y1, Y3, Y4, Y5, Y6) |             |             |             |             |
| Max. Effective Power per Port               | W   | 200 (at 50 °C ambient temperature)      |             |             |             |             |

Values based on NGMN-P-BASTA (version 10.0) requirements.

| Center, lower midband                       |     | Y3, connector 9–10                      |             |             |             |             |
|---|-----|---|-------------|-------------|-------------|-------------|
| Frequency Range                             | MHz | 1695 – 1880                             | 1850 – 1990 | 1920 – 2170 | 2300 – 2400 | 2500 – 2690 |
| Gain at mid Tilt                            | dBi | 16.5                                    | 16.6        | 16.9        | 17.2        | 16.8        |
| Gain over all Tilts                         | dBi | 16.4 ± 0.5                              | 16.6 ± 0.6  | 16.9 ± 0.7  | 17.1 ± 0.7  | 16.7 ± 0.5  |
| <b>Horizontal Pattern:</b>                  |     |   |             |             |             |             |
| Azimuth Beamwidth                           | °   | 53 ± 7                                  | 58 ± 7      | 57 ± 7      | 61 ± 8      | 64 ± 4      |
| Front-to-Back Ratio, Total Power, ± 30°     | dB  | > 28                                    | > 28        | > 28        | > 28        | > 28        |
| <b>Vertical Pattern:</b>                    |     |   |             |             |             |             |
| Elevation Beamwidth                         | °   | 9.8 ± 0.7                               | 9.0 ± 0.5   | 8.9 ± 0.7   | 7.9 ± 0.6   | 7.3 ± 0.4   |
| Electrical Downtilt continuously adjustable | °   | 2 – 12                                  |             |             |             |             |
| Tilt Accuracy                               | °   | < 0.3                                   | < 0.4       | < 0.5       | < 0.6       | < 0.4       |
| First Upper Side Lobe Suppression           | dB  | > 16                                    | > 16        | > 17        | > 19        | > 17        |
| Cross Polar Isolation                       | dB  | > 25                                    |             |             |             |             |
| Port to Port Isolation                      | dB  | > 25 (Y3 // R1, R2, Y1, Y2, Y4, Y5, Y6) |             |             |             |             |
| Max. Effective Power per Port               | W   | 200 (at 50 °C ambient temperature)      |             |             |             |             |

Values based on NGMN-P-BASTA (version 10.0) requirements.

| Center, upper midband                       |     | Y4, connector 11–12                     |             |             |             |             |
|---|-----|---|-------------|-------------|-------------|-------------|
| Frequency Range                             | MHz | 1695 – 1880                             | 1850 – 1990 | 1920 – 2170 | 2300 – 2400 | 2500 – 2690 |
| Gain at mid Tilt                            | dBi | 16.4                                    | 16.7        | 16.8        | 17.3        | 17.0        |
| Gain over all Tilts                         | dBi | 16.4 ± 0.6                              | 16.7 ± 0.5  | 16.8 ± 0.6  | 17.2 ± 0.5  | 17.0 ± 0.6  |
| <b>Horizontal Pattern:</b>                  |     |   |             |             |             |             |
| Azimuth Beamwidth                           | °   | 53 ± 6                                  | 56 ± 8      | 58 ± 7      | 59 ± 5      | 62 ± 4      |
| Front-to-Back Ratio, Total Power, ± 30°     | dB  | > 27                                    | > 28        | > 28        | > 28        | > 28        |
| <b>Vertical Pattern:</b>                    |     |   |             |             |             |             |
| Elevation Beamwidth                         | °   | 8.8 ± 0.7                               | 8.2 ± 0.5   | 7.8 ± 0.5   | 7.0 ± 0.3   | 6.7 ± 0.4   |
| Electrical Downtilt continuously adjustable | °   | 2 – 12                                  |             |             |             |             |
| Tilt Accuracy                               | °   | < 0.5                                   | < 0.5       | < 0.4       | < 0.5       | < 0.6       |
| First Upper Side Lobe Suppression           | dB  | > 16                                    | > 17        | > 16        | > 17        | > 16        |
| Cross Polar Isolation                       | dB  | > 25                                    |             |             |             |             |
| Port to Port Isolation                      | dB  | > 25 (Y4 // R1, R2, Y1, Y2, Y3, Y5, Y6) |             |             |             |             |
| Max. Effective Power per Port               | W   | 200 (at 50 °C ambient temperature)      |             |             |             |             |

Values based on NGMN-P-BASTA (version 10.0) requirements.

| Right side, lower midband                   |     | Y5, connector 13–14                     |             |             |             |             |             |
|---|-----|---|-------------|-------------|-------------|-------------|-------------|
| Frequency Range                             | MHz | 1427 – 1518                             | 1695 – 1880 | 1850 – 1990 | 1920 – 2170 | 2300 – 2400 | 2500 – 2690 |
| Gain at mid Tilt                            | dBi | 15.7                                    | 16.9        | 17.1        | 17.3        | 17.2        | 17.3        |
| Gain over all Tilts                         | dBi | 15.7 ± 0.5                              | 16.8 ± 0.6  | 17.0 ± 0.5  | 17.2 ± 0.7  | 17.1 ± 0.8  | 17.1 ± 0.8  |
| <b>Horizontal Pattern:</b>                  |     |   |             |             |             |             |             |
| Azimuth Beamwidth                           | °   | 71 ± 5                                  | 68 ± 4      | 68 ± 5      | 65 ± 7      | 63 ± 4      | 56 ± 5      |
| Front-to-Back Ratio, Total Power, ± 30°     | dB  | > 25                                    | > 28        | > 28        | > 28        | > 27        | > 26        |
| <b>Vertical Pattern:</b>                    |     |   |             |             |             |             |             |
| Elevation Beamwidth                         | °   | 9.0 ± 0.5                               | 7.8 ± 0.5   | 7.1 ± 0.4   | 6.8 ± 0.5   | 6.3 ± 0.5   | 5.9 ± 0.5   |
| Electrical Downtilt continuously adjustable | °   | 2 – 12                                  |             |             |             |             |             |
| Tilt Accuracy                               | °   | < 0.5                                   | < 0.5       | < 0.4       | < 0.4       | < 0.4       | < 0.3       |
| First Upper Side Lobe Suppression           | dB  | > 15                                    | > 16        | > 16        | > 15        | > 15        | > 16        |
| Cross Polar Isolation                       | dB  | > 25                                    |             |             |             |             |             |
| Port to Port Isolation                      | dB  | > 25 (Y5 // R1, R2, Y1, Y2, Y3, Y4, Y6) |             |             |             |             |             |
| Max. Effective Power per Port               | W   | 200 (at 50 °C ambient temperature)      |             |             |             |             |             |

Values based on NGMN-P-BASTA (version 10.0) requirements.

| Right side, upper midband                   |     | Y6, connector 15–16                     |             |             |             |             |
|---|-----|---|-------------|-------------|-------------|-------------|
| Frequency Range                             | MHz | 1695 – 1880                             | 1850 – 1990 | 1920 – 2170 | 2300 – 2400 | 2500 – 2690 |
| Gain at mid Tilt                            | dBi | 16.5                                    | 16.7        | 16.7        | 16.4        | 16.7        |
| Gain over all Tilts                         | dBi | 16.4 ± 0.6                              | 16.6 ± 0.7  | 16.7 ± 0.7  | 16.4 ± 0.7  | 16.6 ± 0.8  |
| <b>Horizontal Pattern:</b>                  |     |   |             |             |             |             |
| Azimuth Beamwidth                           | °   | 65 ± 3                                  | 63 ± 4      | 61 ± 3      | 64 ± 4      | 58 ± 5      |
| Front-to-Back Ratio, Total Power, ± 30°     | dB  | > 28                                    | > 28        | > 26        | > 26        | > 26        |
| <b>Vertical Pattern:</b>                    |     |   |             |             |             |             |
| Elevation Beamwidth                         | °   | 7.8 ± 0.5                               | 7.2 ± 0.3   | 7.0 ± 0.4   | 6.3 ± 0.3   | 5.8 ± 0.3   |
| Electrical Downtilt continuously adjustable | °   | 2 – 12                                  |             |             |             |             |
| Tilt Accuracy                               | °   | < 0.3                                   | < 0.3       | < 0.3       | < 0.3       | < 0.3       |
| First Upper Side Lobe Suppression           | dB  | > 15                                    | > 15        | > 15        | > 16        | 18          |
| Cross Polar Isolation                       | dB  | > 25                                    |             |             |             |             |
| Port to Port Isolation                      | dB  | > 25 (Y6 // R1, R2, Y1, Y2, Y3, Y4, Y5) |             |             |             |             |
| Max. Effective Power per Port               | W   | 200 (at 50 °C ambient temperature)      |             |             |             |             |

Values based on NGMN-P-BASTA (version 10.0) requirements.

## Electrical specifications, all ports

|                                      |          |                                     |
|--------------------------------------|----------|-------------------------------------|
| Impedance                            | $\Omega$ | 50                                  |
| VSWR                                 |          | < 1.5                               |
| Return Loss                          | dB       | > 14                                |
| Interband Isolation                  | dB       | > 25                                |
| Passive Intermodulation              | dBc      | < -153 (2 x 43 dBm carrier)*        |
| Polarization                         | °        | +45, -45                            |
| Max. Effective Power for the Antenna | W        | 1200 (at 50 °C ambient temperature) |

Values based on NGMN-P-BASTA (version 10.0) requirements.

\* not applicable for L-band

## Mechanical specifications

|   |              |   |
|---|--------------|---|
| Input                                     |              | 16 x 4.3-10 female  |
| Connector Position                        |              | bottom  |
| Adjustment Mechanism                      |              | FlexRET,<br>continuously adjustable                               |
| Wind load (at Rated Wind Speed: 150 km/h) | N   lbf      | Frontal: 965   217<br>Maximal: 1270   285                         |
| Max. Wind Velocity                        | km/h<br>mph  | 241<br>150  |
| Height / Width / Depth                    | mm<br>inches | 2591 / 448 / 164<br>102 / 17.6 / 6.5                              |
| Category of Mounting Hardware             |              | XM (X-Medium)   |
| Weight                                    | kg<br>lb     | 56 / 60.5 (clamps incl.)<br>123.4 / 133 (clamps incl.)            |
| Packing Size                              | mm<br>inches | 2745 / 510 / 293<br>108 / 20.1 / 11.5                             |
| Scope of Supply                           |              | Panel, FlexRET and clamps for 55–115 mm   2.2–4.5 inches diameter |

## Accessories (order separately if required)

| Product No.   | Description          | Remarks<br>mm   inches                            | Units per antenna |
|---------------|----------------------|---|-------------------|
| 85010097      | 2 clamps             | Mast diameter: 110–220   4.3–8.7                  | 1                 |
| 85010110      | 1 downtilt kit       | Downtilt angle: 0°–10°                            | 1                 |
| 86010154      | Site Sharing Adapter | 3-way (see figure below)                          |                   |
| 86010155      | Site Sharing Adapter | 6-way (see figure below)                          |                   |
| 86010162      | Gender Adapter       | To be used in combination with the FlexRET module | 1                 |
| KRY 121 108/1 | Port Extender        |   | 1                 |

## Accessories (included in the scope of supply)

| Product No. | Description | Remarks<br>mm   inches                      | Units per antenna |
|-------------|-------------|---|-------------------|
| 85010111    | 2 clamps    | Mast diameter: 55–115   2.2–4.5             | 1                 |
| 86010165    | FlexRET     | Compliant to 3GPP / AISG 2.0 – AISG 3 ready | 1                 |

For downtilt mounting use the clamps for an appropriate mast diameter together with the downtilt kit. Wall mounting: No additional mounting kit needed.

## Material:

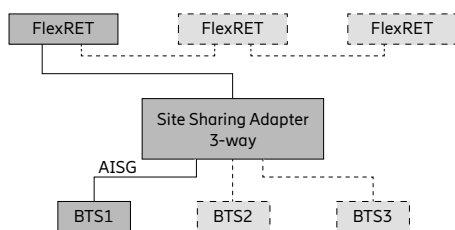
**Reflector screen:** Aluminum.

**Fiberglass housing:** It covers totally the internal antenna components. The special design reduces the sealing areas to a minimum and guarantees the best weather protection. Fiberglass material guarantees optimum performance with regards to stability, stiffness, UV resistance and painting. The color of the radome is light grey.

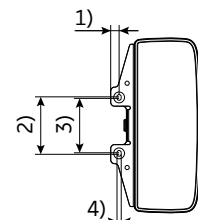
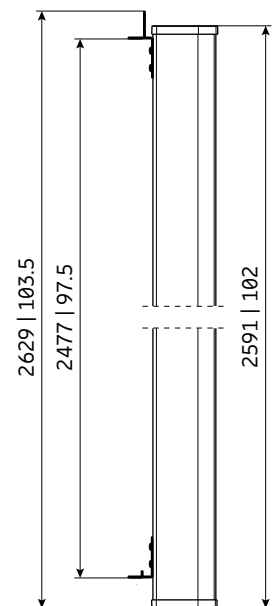
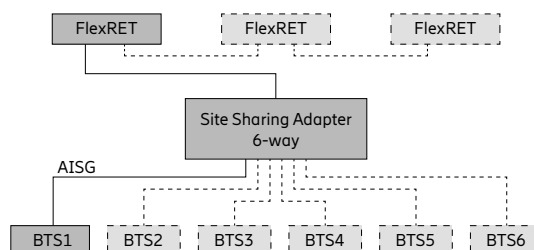
## Grounding:

The metal parts of the antenna including the mounting kit and the inner conductors are DC grounded.

## Configuration example with Site Sharing Adapter 86010154



## Configuration example with Site Sharing Adapter 86010155

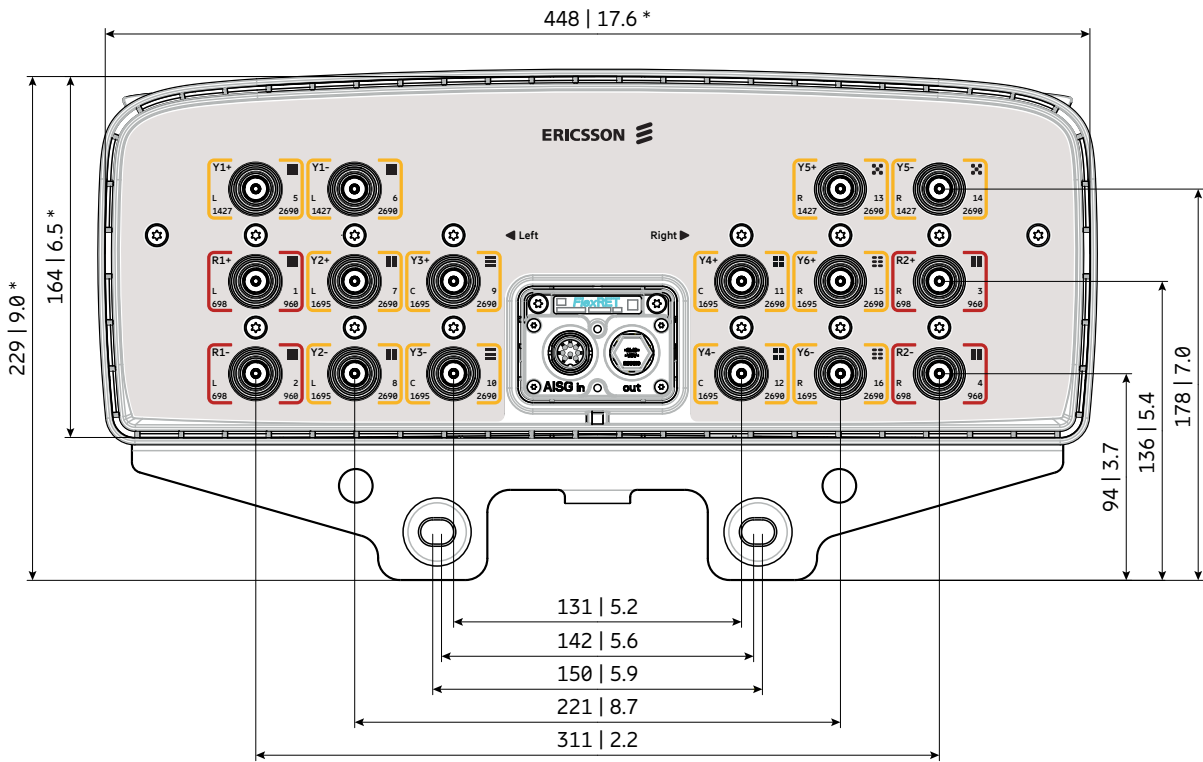


- 1) 22 | 0.9
- 2) 150 | 5.9
- 3) 142 | 5.6
- 4) 11 | 0.4

All dimensions in mm | inches

For more information please refer to the respective data sheets.

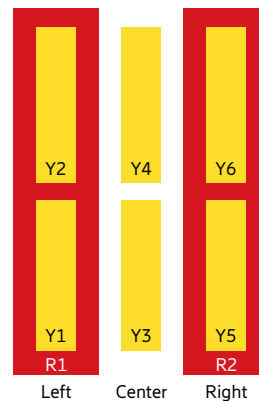
## Layout of interface

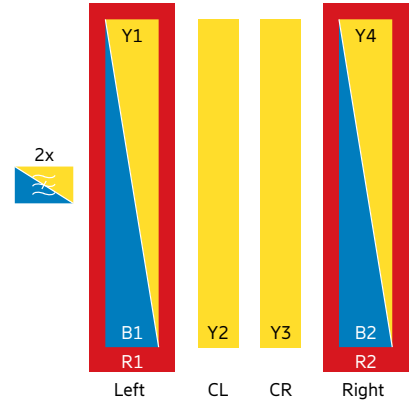


Bottom view  
\* Dimensions refer to radome  
All dimensions in mm | inches

## Correlation Table

| Frequency range | Array | Connector / Ports |
|-----------------|-------|-------------------|
| 698–960 MHz     | R1    | 1–2               |
| 698–960 MHz     | R2    | 3–4               |
| 1427–2690 MHz   | Y1    | 5–6               |
| 1695–2690 MHz   | Y2    | 7–8               |
| 1695–2690 MHz   | Y3    | 9–10              |
| 1695–2690 MHz   | Y4    | 11–12             |
| 1427–2690 MHz   | Y5    | 13–14             |
| 1695–2690 MHz   | Y6    | 15–16             |





2LB nMB

# Antenna 4900 2L 6M 1.5m

800482021

Capacity

Compact

Coverage

65° | 2x 698–960 MHz | 14.7 dBi  
65° | 2x 1427–2180 MHz | 16.8 dBi  
65° | 2x 2490–2690 MHz | 17.0 dBi  
65° | 2x 1695–2690 MHz | 17.3 dBi  
FlexRET



[ericsson.com/antenna-system](https://ericsson.com/antenna-system)



Scan or [click](#)



| Left side, lowband                          |     | R1, connector 1 – 2                     |            |            |            |
|---|-----|---|------------|------------|------------|
| Frequency Range                             | MHz | 698 – 806                               | 791 – 862  | 824 – 894  | 880 – 960  |
| Gain at mid Tilt                            | dBi | 13.8                                    | 14.2       | 14.4       | 14.7       |
| Gain over all Tilts                         | dBi | 13.8 ± 0.3                              | 14.1 ± 0.3 | 14.4 ± 0.4 | 14.7 ± 0.3 |
| <b>Horizontal Pattern:</b>                  |     |   |            |            |            |
| Azimuth Beamwidth                           | °   | 58 ± 4.8                                | 55 ± 3.4   | 54 ± 5.1   | 50 ± 5.0   |
| Front-to-Back Ratio, Total Power, ± 30°     | dB  | > 20                                    | > 20       | > 20       | > 21       |
| <b>Vertical Pattern:</b>                    |     |   |            |            |            |
| Elevation Beamwidth                         | °   | 16.1 ± 1.0                              | 15.1 ± 0.9 | 14.6 ± 0.7 | 13.5 ± 0.8 |
| Electrical Downtilt continuously adjustable | °   | 2.0 – 12.0                              |            |            |            |
| Tilt Accuracy                               | °   | < 0.9                                   | < 0.6      | < 0.5      | < 0.9      |
| First Upper Side Lobe Suppression           | dB  | > 14                                    | > 16       | > 16       | > 15       |
| Cross Polar Isolation                       | dB  | > 25                                    |            |            |            |
| Port to Port Isolation                      | dB  | > 25 (R1 // R2, B1, B2, Y1, Y2, Y3, Y4) |            |            |            |
| Max. Effective Power per Port               | W   | 300 (at 50 °C ambient temperature)      |            |            |            |

Values based on NGMN-P-BASTA (version 10.0) requirements.

| Right side, lowband                         |     | R2, connector 3 – 4                     |            |            |            |
|---|-----|---|------------|------------|------------|
| Frequency Range                             | MHz | 698 – 806                               | 791 – 862  | 824 – 894  | 880 – 960  |
| Gain at mid Tilt                            | dBi | 13.8                                    | 14.2       | 14.4       | 14.8       |
| Gain over all Tilts                         | dBi | 13.8 ± 0.3                              | 14.2 ± 0.4 | 14.4 ± 0.3 | 14.7 ± 0.4 |
| <b>Horizontal Pattern:</b>                  |     |   |            |            |            |
| Azimuth Beamwidth                           | °   | 60 ± 5.7                                | 56 ± 3.6   | 54 ± 4.9   | 50 ± 6.0   |
| Front-to-Back Ratio, Total Power, ± 30°     | dB  | > 20                                    | > 21       | > 20       | > 20       |
| <b>Vertical Pattern:</b>                    |     |   |            |            |            |
| Elevation Beamwidth                         | °   | 16.3 ± 0.9                              | 15.1 ± 0.8 | 14.8 ± 0.7 | 13.8 ± 1.1 |
| Electrical Downtilt continuously adjustable | °   | 2.0 – 12.0                              |            |            |            |
| Tilt Accuracy                               | °   | < 0.8                                   | < 0.6      | < 0.5      | < 0.8      |
| First Upper Side Lobe Suppression           | dB  | > 15                                    | > 15       | > 15       | > 16       |
| Cross Polar Isolation                       | dB  | > 25                                    |            |            |            |
| Port to Port Isolation                      | dB  | > 25 (R2 // R1, B1, B2, Y1, Y2, Y3, Y4) |            |            |            |
| Max. Effective Power per Port               | W   | 300 (at 50 °C ambient temperature)      |            |            |            |

Values based on NGMN-P-BASTA (version 10.0) requirements.

| Left side, midbands                         |     | B1, connector 5 – 6                     |             |             |             | Y1, connector 9 – 10                    |
|---|-----|---|-------------|-------------|-------------|---|
| Frequency Range                             | MHz | 1427 – 1518                             | 1695 – 1880 | 1850 – 1990 | 1920 – 2180 | 2490 – 2690                             |
| Gain at mid Tilt                            | dBi | 15.5                                    | 16.6        | 16.8        | 16.9        | 17.1                                    |
| Gain over all Tilts                         | dBi | 15.4 ± 0.4                              | 16.5 ± 0.6  | 16.6 ± 0.6  | 16.7 ± 0.7  | 16.9 ± 0.9                              |
| <b>Horizontal Pattern:</b>                  |     |   |             |             |             |   |
| Azimuth Beamwidth                           | °   | 75 ± 4.2                                | 70 ± 4.2    | 68 ± 4.5    | 66 ± 6.5    | 56 ± 5.4                                |
| Front-to-Back Ratio, Total Power, ± 30°     | dB  | > 28                                    | > 28        | > 27        | > 28        | > 28                                    |
| <b>Vertical Pattern:</b>                    |     |   |             |             |             |   |
| Elevation Beamwidth                         | °   | 9.3 ± 0.5                               | 7.8 ± 0.6   | 7.2 ± 0.4   | 6.9 ± 0.4   | 5.7 ± 0.4                               |
| Electrical Downtilt continuously adjustable | °   | 2.0 – 12.0                              |             |             |             | 2.0 – 12.0                              |
| Tilt Accuracy                               | °   | < 0.4                                   | < 0.4       | < 0.3       | < 0.3       | < 0.3                                   |
| First Upper Side Lobe Suppression           | dB  | > 15                                    | > 18        | > 17        | > 17        | > 17                                    |
| Cross Polar Isolation                       | dB  | > 25                                    |             |             |             | > 25                                    |
| Port to Port Isolation                      | dB  | > 25 (B1 // R1, R2, B2, Y1, Y2, Y3, Y4) |             |             |             | > 25 (Y1 // R1, R2, B1, B2, Y2, Y3, Y4) |
| Max. Effective Power per Port               | W   | 150 (at 50 °C ambient temperature)      |             |             |             | 120 (at 50 °C ambient temperature)      |

Values based on NGMN-P-BASTA (version 10.0) requirements.

| Left side, center midband                   |     | Y2, connector 11 – 12                   |             |             |             |             |
|---|-----|---|-------------|-------------|-------------|-------------|
| Frequency Range                             | MHz | 1695 – 1880                             | 1850 – 1990 | 1920 – 2180 | 2300 – 2400 | 2490 – 2690 |
| Gain at mid Tilt                            | dBi | 16.9                                    | 16.9        | 17.0        | 17.3        | 17.3        |
| Gain over all Tilts                         | dBi | 16.8 ± 0.6                              | 16.8 ± 0.7  | 16.9 ± 0.8  | 17.2 ± 0.8  | 17.3 ± 0.7  |
| <b>Horizontal Pattern:</b>                  |     |   |             |             |             |             |
| Azimuth Beamwidth                           | °   | 61 ± 9.8                                | 60 ± 6.7    | 64 ± 6.0    | 64 ± 6.2    | 60 ± 5.2    |
| Front-to-Back Ratio, Total Power, ± 30°     | dB  | > 28                                    | > 26        | > 26        | > 30        | > 30        |
| <b>Vertical Pattern:</b>                    |     |   |             |             |             |             |
| Elevation Beamwidth                         | °   | 7.3 ± 0.5                               | 6.8 ± 0.4   | 6.5 ± 0.4   | 5.9 ± 0.3   | 5.7 ± 0.4   |
| Electrical Downtilt continuously adjustable | °   | 2.0 – 12.0                              |             |             |             |             |
| Tilt Accuracy                               | °   | < 0.5                                   | < 0.4       | < 0.4       | < 0.3       | < 0.4       |
| First Upper Side Lobe Suppression           | dB  | > 16                                    | > 17        | > 19        | > 19        | > 20        |
| Cross Polar Isolation                       | dB  | > 25                                    |             |             |             |             |
| Port to Port Isolation                      | dB  | > 25 (Y2 // R1, R2, B1, B2, Y1, Y3, Y4) |             |             |             |             |
| Max. Effective Power per Port               | W   | 200 (at 50 °C ambient temperature)      |             |             |             |             |

Values based on NGMN-P-BASTA (version 10.0) requirements.

| Right side, center midband                  |     | Y3, connector 13–14                     |             |             |             |             |
|---|-----|---|-------------|-------------|-------------|-------------|
| Frequency Range                             | MHz | 1695 – 1880                             | 1850 – 1990 | 1920 – 2180 | 2300 – 2400 | 2490 – 2690 |
| Gain at mid Tilt                            | dBi | 17.0                                    | 17.1        | 17.1        | 17.4        | 17.3        |
| Gain over all Tilts                         | dBi | 16.9 ± 0.7                              | 17.0 ± 0.6  | 17.0 ± 0.7  | 17.3 ± 0.6  | 17.3 ± 0.8  |
| <b>Horizontal Pattern:</b>                  |     |   |             |             |             |             |
| Azimuth Beamwidth                           | °   | 60 ± 8.1                                | 59 ± 6.7    | 63 ± 8.7    | 63 ± 5.0    | 62 ± 6.2    |
| Front-to-Back Ratio, Total Power, ± 30°     | dB  | > 27                                    | > 27        | > 27        | > 29        | > 29        |
| <b>Vertical Pattern:</b>                    |     |   |             |             |             |             |
| Elevation Beamwidth                         | °   | 7.3 ± 0.5                               | 6.8 ± 0.4   | 6.5 ± 0.4   | 5.9 ± 0.2   | 5.6 ± 0.4   |
| Electrical Downtilt continuously adjustable | °   | 2.0 – 12.0                              |             |             |             |             |
| Tilt Accuracy                               | °   | < 0.4                                   | < 0.3       | < 0.3       | < 0.3       | < 0.4       |
| First Upper Side Lobe Suppression           | dB  | > 14                                    | > 15        | > 19        | > 21        | > 21        |
| Cross Polar Isolation                       | dB  | > 25                                    |             |             |             |             |
| Port to Port Isolation                      | dB  | > 25 (Y3 // R1, R2, B1, B2, Y1, Y2, Y4) |             |             |             |             |
| Max. Effective Power per Port               | W   | 200 (at 50 °C ambient temperature)      |             |             |             |             |

Values based on NGMN-P-BASTA (version 10.0) requirements.

| Right side, midbands                        |     | B2, connector 7–8                       |             |             |             | Y4, connector 15–16                     |
|---|-----|---|-------------|-------------|-------------|---|
| Frequency Range                             | MHz | 1427 – 1518                             | 1695 – 1880 | 1850 – 1990 | 1920 – 2180 | 2490 – 2690                             |
| Gain at mid Tilt                            | dBi | 15.5                                    | 16.5        | 16.7        | 16.8        | 17.0                                    |
| Gain over all Tilts                         | dBi | 15.4 ± 0.5                              | 16.4 ± 0.6  | 16.6 ± 0.6  | 16.7 ± 0.7  | 16.8 ± 0.8                              |
| <b>Horizontal Pattern:</b>                  |     |   |             |             |             |   |
| Azimuth Beamwidth                           | °   | 76 ± 5.5                                | 72 ± 4.5    | 70 ± 4.5    | 67 ± 7.0    | 57 ± 4.7                                |
| Front-to-Back Ratio, Total Power, ± 30°     | dB  | > 27                                    | > 27        | > 27        | > 27        | > 28                                    |
| <b>Vertical Pattern:</b>                    |     |   |             |             |             |   |
| Elevation Beamwidth                         | °   | 9.1 ± 0.7                               | 7.7 ± 0.5   | 7.2 ± 0.4   | 6.9 ± 0.4   | 5.7 ± 0.3                               |
| Electrical Downtilt continuously adjustable | °   | 2.0 – 12.0                              |             |             |             | 2.0 – 12.0                              |
| Tilt Accuracy                               | °   | < 0.4                                   | < 0.3       | < 0.3       | < 0.4       | < 0.4                                   |
| First Upper Side Lobe Suppression           | dB  | > 14                                    | > 17        | > 16        | > 17        | > 17                                    |
| Cross Polar Isolation                       | dB  | > 25                                    |             |             |             | > 25                                    |
| Port to Port Isolation                      | dB  | > 25 (B2 // R1, R2, B1, Y1, Y2, Y3, Y4) |             |             |             | > 25 (Y4 // R1, R2, B1, B2, Y1, Y2, Y3) |
| Max. Effective Power per Port               | W   | 150 (at 50 °C ambient temperature)      |             |             |             | 120 (at 50 °C ambient temperature)      |

Values based on NGMN-P-BASTA (version 10.0) requirements.

## Electrical specifications, all ports

|                                      |          |                                     |
|--------------------------------------|----------|-------------------------------------|
| Impedance                            | $\Omega$ | 50                                  |
| VSWR                                 |          | < 1.5                               |
| Return Loss                          | dB       | > 14                                |
| Interband Isolation                  | dB       | > 25                                |
| Passive Intermodulation              | dBc      | < -153 (2 x 43 dBm carrier)*        |
| Polarization                         | °        | -45, +45                            |
| Max. Effective Power for the Antenna | W        | 1000 (at 50 °C ambient temperature) |

Values based on NGMN-P-BASTA (version 10.0) requirements.

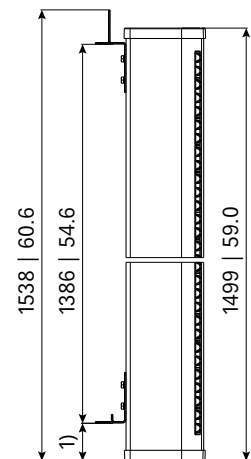
\* not applicable for L-band

## Mechanical specifications

|   |   |   |
|---|---|---|
| Input                                     | 16 x 4.3-10 female  |   |
| Connector Position                        | bottom  |   |
| Adjustment Mechanism                      | FlexRET,<br>continuously adjustable                               |   |
| Wind load (at Rated Wind Speed: 150 km/h) | N   lbf   | Frontal: 670   151<br>Maximal: 760   171                  |
| Max. Wind Velocity                        | km/h<br>mph   | 241<br>150  |
| Height / Width / Depth                    | mm<br>inches  | 1499 / 488 / 164<br>59.0 / 19.2 / 6.5                     |
| Category of Mounting Hardware             | XM (X-Medium)   |   |
| Weight                                    | kg<br>lb  | 41.3 / 45.8 (clamps incl.)<br>91.0 / 100.9 (clamps incl.) |
| Packing Size                              | mm<br>inches  | 1650 / 550 / 293<br>65.0 / 21.7 / 11.5                    |
| Scope of Supply                           | Panel, FlexRET and clamps for 55–115 mm   2.2–4.5 inches diameter |   |

## Accessories (order separately if required)

| Product No.   | Description          | Remarks<br>mm   inches  | Units per antenna |
|---------------|----------------------|---|-------------------|
| 85010097      | 2 clamps             | Mast diameter: 110–220   4.3–8.7                                  | 1                 |
| 85010110      | 1 downtilt kit       | Downtilt angle: 0°–10°  | 1                 |
| 86010154      | Site Sharing Adapter | 3-way (see figure below)  |                   |
| 86010155      | Site Sharing Adapter | 6-way (see figure below)  |                   |
| 86010162      | Gender Adapter       | Solely to be used in combination with a compatible FlexRET module | 1                 |
| KRY 121 108/1 | Port Extender        |   | 1                 |



## Accessories (included in the scope of supply)

| Product No. | Description | Remarks<br>mm   inches          | Units per antenna |
|-------------|-------------|---------------------------------|-------------------|
| 85010111    | 2 clamps    | Mast diameter: 55–115   2.2–4.5 | 2                 |
| 86010165    | FlexRET     | Compliant to 3GPP / AISG 2.0    | 1                 |

For downtilt mounting use the clamps for an appropriate mast diameter together with the downtilt kit.  
Wall mounting: No additional mounting kit needed.

## Material:

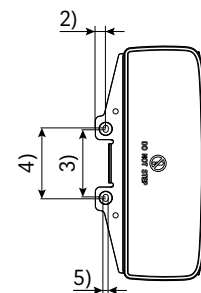
**Reflector screen:** Aluminum.

**Fiberglass housing:** It covers totally the internal antenna components. The special design reduces the sealing areas to a minimum and guarantees the best weather protection. Fiberglass material guarantees optimum performance with regards to stability, stiffness, UV resistance and painting. The color of the radome is light grey.

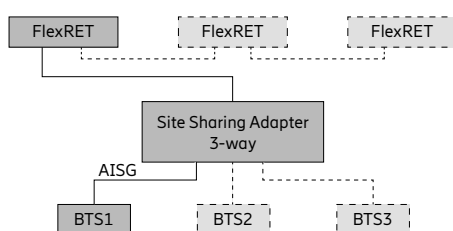
**All nuts and bolts:** Stainless steel or hot-dip galvanized steel.

## Grounding:

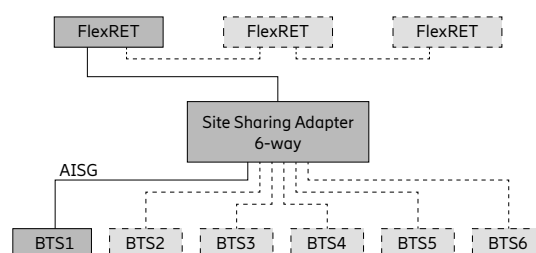
The metal parts of the antenna including the mounting kit and the inner conductors are DC grounded.



## Configuration example with Site Sharing Adapter 86010154



## Configuration example with Site Sharing Adapter 86010155

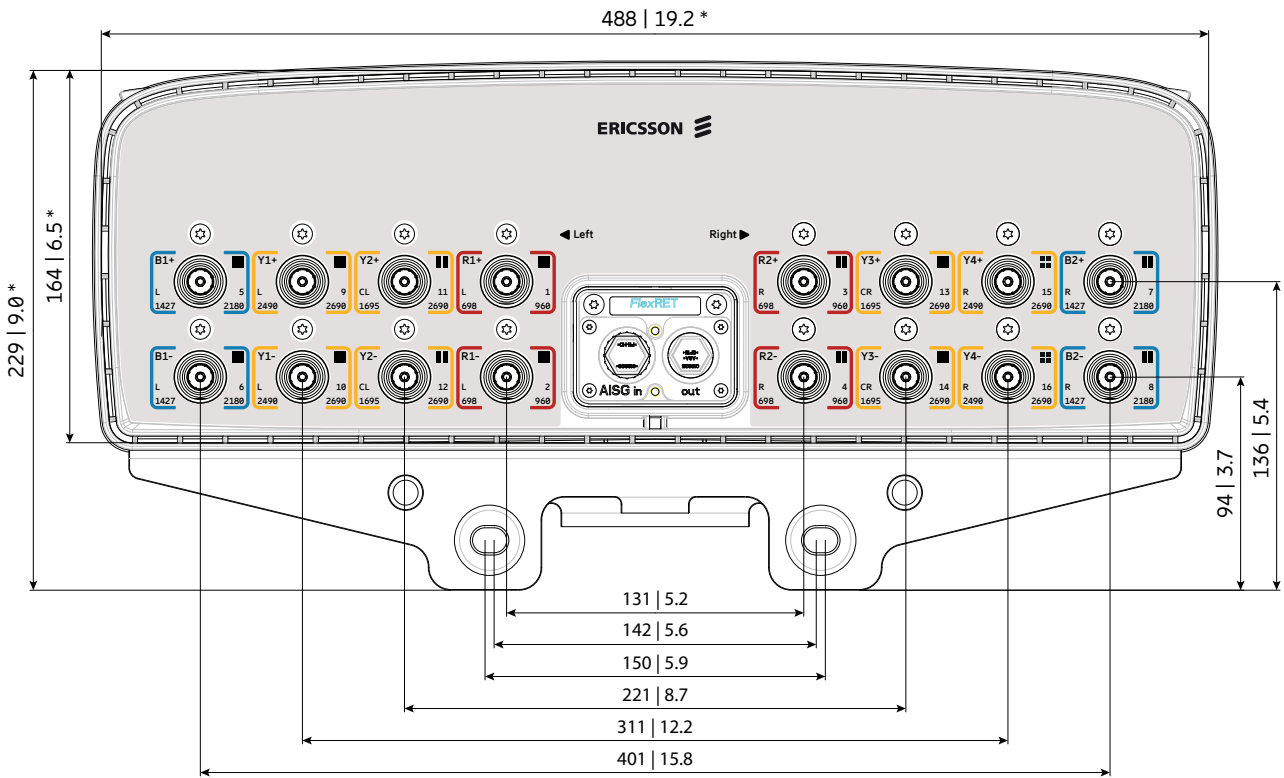


- 1) 79 | 3.1
- 2) 22 | 0.9
- 3) 142 | 5.6
- 4) 150 | 5.9
- 5)  $\varnothing$  11 | 0.4

All dimensions  
in mm | inches

For more information please refer to the respective data sheets.

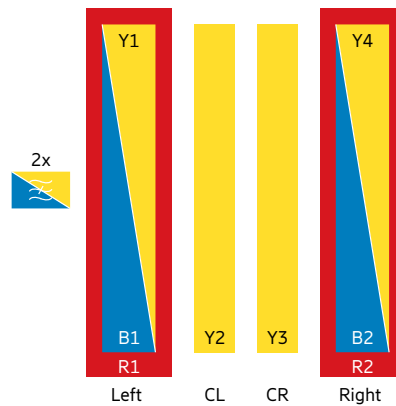
## Layout of interface

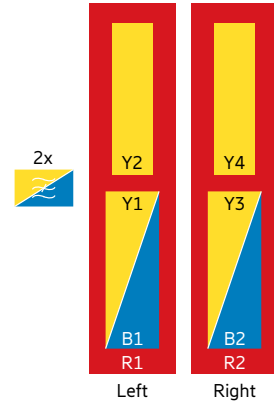


Bottom view  
 \* Dimensions refer to radome  
 All dimensions in mm | inches

## Correlation Table

| Frequency range | Array | Connector / Ports |
|-----------------|-------|-------------------|
| 698–960 MHz     | R1    | 1–2               |
| 698–960 MHz     | R2    | 3–4               |
| 1427–2180 MHz   | B1    | 5–6               |
| 2490–2690 MHz   | Y1    | 9–10              |
| 1695–2690 MHz   | Y2    | 11–12             |
| 1695–2690 MHz   | Y3    | 13–14             |
| 1427–2180 MHz   | B2    | 7–8               |
| 2490–2690 MHz   | Y4    | 15–16             |





# Antenna 4300 2L 6M 2.6m

800372995

Capacity **Compact** Coverage

65° | 2x 698–960 MHz | 16.5 dBi  
65° | 2x 1695–2690 MHz | 16.8 dBi  
65° | 2x 1427–2180 MHz | 16.5 dBi  
65° | 2x 2490–2690 MHz | 16.6 dBi  
FlexRET



[ericsson.com/antenna-system](https://ericsson.com/antenna-system)



Scan or [click](#)

| Left side, lowband                          |     | R1, connector 1–2                       |            |            |            |
|---|-----|---|------------|------------|------------|
| Frequency Range                             | MHz | 698 – 806                               | 791 – 862  | 824 – 894  | 880 – 960  |
| Gain at mid Tilt                            | dBi | 14.9                                    | 15.7       | 16.0       | 16.5       |
| Gain over all Tilts                         | dBi | 14.9 ± 0.7                              | 15.7 ± 0.6 | 16.0 ± 0.5 | 16.5 ± 0.5 |
| <b>Horizontal Pattern:</b>                  |     |   |            |            |            |
| Azimuth Beamwidth                           | °   | 63 ± 4.5                                | 60 ± 2.9   | 58 ± 3.7   | 55 ± 4.5   |
| Front-to-Back Ratio, Total Power, ± 30°     | dB  | > 19                                    | > 22       | > 24       | > 24       |
| <b>Vertical Pattern:</b>                    |     |   |            |            |            |
| Elevation Beamwidth                         | °   | 9.1 ± 0.7                               | 8.6 ± 0.4  | 8.4 ± 0.5  | 7.9 ± 0.5  |
| Electrical Downtilt continuously adjustable | °   | 2.5 – 10.0                              |            |            |            |
| Tilt Accuracy                               | °   | < 0.3                                   | < 0.3      | < 0.4      | < 0.3      |
| First Upper Side Lobe Suppression           | dB  | > 15                                    | > 17       | > 17       | > 19       |
| Cross Polar Isolation                       | dB  | > 25                                    |            |            |            |
| Port to Port Isolation                      | dB  | > 25 (R1 // R2, B1, B2, Y1, Y2, Y3, Y4) |            |            |            |
| Max. Effective Power per Port               | W   | 400 (at 50 °C ambient temperature)      |            |            |            |

Values based on NGMN-P-BASTA (version 10.0) requirements.

| Right side, lowband                         |     | R2, connector 3–4                       |            |            |            |
|---|-----|---|------------|------------|------------|
| Frequency Range                             | MHz | 698 – 806                               | 791 – 862  | 824 – 894  | 880 – 960  |
| Gain at mid Tilt                            | dBi | 14.9                                    | 15.7       | 16.0       | 16.5       |
| Gain over all Tilts                         | dBi | 14.9 ± 0.7                              | 15.7 ± 0.6 | 16.0 ± 0.6 | 16.5 ± 0.5 |
| <b>Horizontal Pattern:</b>                  |     |   |            |            |            |
| Azimuth Beamwidth                           | °   | 64 ± 4.8                                | 61 ± 3.6   | 59 ± 4.5   | 54 ± 4.5   |
| Front-to-Back Ratio, Total Power, ± 30°     | dB  | > 18                                    | > 22       | > 24       | > 25       |
| <b>Vertical Pattern:</b>                    |     |   |            |            |            |
| Elevation Beamwidth                         | °   | 9.0 ± 0.7                               | 8.6 ± 0.4  | 8.3 ± 0.5  | 7.9 ± 0.5  |
| Electrical Downtilt continuously adjustable | °   | 2.5 – 10.0                              |            |            |            |
| Tilt Accuracy                               | °   | < 0.3                                   | < 0.4      | < 0.4      | < 0.3      |
| First Upper Side Lobe Suppression           | dB  | > 15                                    | > 18       | > 18       | > 20       |
| Cross Polar Isolation                       | dB  | > 25                                    |            |            |            |
| Port to Port Isolation                      | dB  | > 25 (R2 // R1, B1, B2, Y1, Y2, Y3, Y4) |            |            |            |
| Max. Effective Power per Port               | W   | 400 (at 50 °C ambient temperature)      |            |            |            |

Values based on NGMN-P-BASTA (version 10.0) requirements.

| Left side, lower midbands                           |     | B1, connector 5–6                       |             |             |             | Y1, connector 9–10                      |
|---|-----|---|-------------|-------------|-------------|---|
| Frequency Range                                     | MHz | 1427 – 1518                             | 1695 – 1880 | 1850 – 1990 | 1920 – 2180 | 2490 – 2690                             |
| Gain at mid Tilt                                    | dBi | 15.7                                    | 16.5        | 16.4        | 16.6        | 16.7                                    |
| Gain over all Tilts                                 | dBi | 15.7 ± 0.4                              | 16.4 ± 0.5  | 16.3 ± 0.5  | 16.5 ± 0.6  | 16.6 ± 0.5                              |
| <b>Horizontal Pattern:</b>                          |     |   |             |             |             |   |
| Azimuth Beamwidth                                   | °   | 60 ± 5.7                                | 65 ± 4.4    | 66 ± 3.7    | 65 ± 3.9    | 61 ± 4.0                                |
| Front-to-Back Ratio, Total Power, ± 30°             | dB  | > 28                                    | > 26        | > 25        | > 26        | > 27                                    |
| <b>Vertical Pattern:</b>                            |     |   |             |             |             |   |
| Elevation Beamwidth                                 | °   | 9.5 ± 0.5                               | 7.8 ± 0.5   | 7.2 ± 0.3   | 6.9 ± 0.5   | 5.7 ± 0.4                               |
| Electrical Downtilt continuously adjustable         | °   | 2.0 – 12.0                              |             |             |             | 2.0 – 12.0                              |
| Tilt Accuracy                                       | °   | < 0.4                                   | < 0.3       | < 0.4       | < 0.4       | < 0.4                                   |
| First Upper Side Lobe Suppression                   | dB  | > 18                                    | > 18        | > 17        | > 15        | > 16                                    |
| Cross Polar Isolation                               | dB  | > 25                                    |             |             |             | > 25                                    |
| Port to Port Isolation                              | dB  | > 25 (B1 // R1, R2, B2, Y1, Y2, Y3, Y4) |             |             |             | > 25 (Y1 // R1, R2, B1, B2, Y2, Y3, Y4) |
| Max. Effective Power per Port                       | W   | 150 (at 50 °C ambient temperature)      |             |             |             | 120 (at 50 °C ambient temperature)      |
| Max. Effective Power for Group of Ports 5+9 // 6+10 | W   | 200 (at 50 °C ambient temperature)      |             |             |             |   |

Values based on NGMN-P-BASTA (version 10.0) requirements.

| Left side, upper midband                    |     | Y2, connector 11–12                     |             |             |             |             |
|---|-----|---|-------------|-------------|-------------|-------------|
| Frequency Range                             | MHz | 1695 – 1880                             | 1850 – 1990 | 1920 – 2180 | 2300 – 2400 | 2490 – 2690 |
| Gain at mid Tilt                            | dBi | 16.4                                    | 16.8        | 16.9        | 16.6        | 16.7        |
| Gain over all Tilts                         | dBi | 16.4 ± 0.5                              | 16.7 ± 0.6  | 16.8 ± 0.6  | 16.6 ± 0.6  | 16.6 ± 0.7  |
| <b>Horizontal Pattern:</b>                  |     |   |             |             |             |             |
| Azimuth Beamwidth                           | °   | 63 ± 4.5                                | 64 ± 3.6    | 62 ± 4.4    | 64 ± 5.7    | 60 ± 5.3    |
| Front-to-Back Ratio, Total Power, ± 30°     | dB  | > 25                                    | > 25        | > 28        | > 27        | > 27        |
| <b>Vertical Pattern:</b>                    |     |   |             |             |             |             |
| Elevation Beamwidth                         | °   | 7.8 ± 0.6                               | 7.2 ± 0.3   | 6.9 ± 0.5   | 6.3 ± 0.4   | 5.8 ± 0.4   |
| Electrical Downtilt continuously adjustable | °   | 2.0 – 12.0                              |             |             |             |             |
| Tilt Accuracy                               | °   | < 0.3                                   | < 0.3       | < 0.3       | < 0.2       | < 0.2       |
| First Upper Side Lobe Suppression           | dB  | > 16                                    | > 15        | > 16        | > 19        | > 20        |
| Cross Polar Isolation                       | dB  | > 25                                    |             |             |             |             |
| Port to Port Isolation                      | dB  | > 25 (Y2 // R1, R2, B1, B2, Y1, Y3, Y4) |             |             |             |             |
| Max. Effective Power per Port               | W   | 200 (at 50 °C ambient temperature)      |             |             |             |             |

Values based on NGMN-P-BASTA (version 9.6) requirements.



| Right side, lower midbands                           |     | B2 connector 7–8                        |             |             |             | Y3, connector 13–14                     |
|--|-----|---|-------------|-------------|-------------|---|
| Frequency Range                                      | MHz | 1427 – 1518                             | 1695 – 1880 | 1850 – 1990 | 1920 – 2180 | 2490 – 2690                             |
| Gain at mid Tilt                                     | dBi | 15.7                                    | 16.5        | 16.3        | 16.5        | 16.7                                    |
| Gain over all Tilts                                  | dBi | 15.7 ± 0.5                              | 16.3 ± 0.5  | 16.2 ± 0.6  | 16.4 ± 0.7  | 16.6 ± 0.5                              |
| <b>Horizontal Pattern:</b>                           |     |   |             |             |             |   |
| Azimuth Beamwidth                                    | °   | 60 ± 6.1                                | 65 ± 3.9    | 67 ± 3.9    | 65 ± 5.5    | 62 ± 4.3                                |
| Front-to-Back Ratio, Total Power, ± 30°              | dB  | > 28                                    | > 25        | > 23        | > 24        | > 26                                    |
| <b>Vertical Pattern:</b>                             |     |   |             |             |             |   |
| Elevation Beamwidth                                  | °   | 9.6 ± 0.6                               | 7.8 ± 0.5   | 7.3 ± 0.3   | 6.9 ± 0.6   | 5.7 ± 0.4                               |
| Electrical Downtilt continuously adjustable          | °   | 2.0 – 12.0                              |             |             |             | 2.0 – 12.0                              |
| Tilt Accuracy  | °   | < 0.4                                   | < 0.3       | < 0.3       | < 0.3       | < 0.3                                   |
| First Upper Side Lobe Suppression                    | dB  | > 19                                    | > 17        | > 16        | > 14        | > 15                                    |
| Cross Polar Isolation                                | dB  | > 25                                    |             |             |             | > 25                                    |
| Port to Port Isolation                               | dB  | > 25 (B2 // R1, R2, B1, Y1, Y2, Y3, Y4) |             |             |             | > 25 (Y3 // R1, R2, B1, B2, Y1, Y2, Y4) |
| Max. Effective Power per Port                        | W   | 150 (at 50 °C ambient temperature)      |             |             |             | 120 (at 50 °C ambient temperature)      |
| Max. Effective Power for Group of Ports 7+13 // 8+14 | W   | 200 (at 50 °C ambient temperature)      |             |             |             |   |

Values based on NGMN-P-BASTA (version 10.0) requirements.

| Right side, upper midband                   |     | Y4, connector 15–16                     |             |             |             |             |
|---|-----|---|-------------|-------------|-------------|-------------|
| Frequency Range                             | MHz | 1695 – 1880                             | 1850 – 1990 | 1920 – 2180 | 2300 – 2400 | 2490 – 2690 |
| Gain at mid Tilt                            | dBi | 16.4                                    | 16.8        | 16.9        | 16.6        | 16.6        |
| Gain over all Tilts                         | dBi | 16.3 ± 0.4                              | 16.7 ± 0.7  | 16.9 ± 0.7  | 16.5 ± 0.6  | 16.5 ± 0.7  |
| <b>Horizontal Pattern:</b>                  |     |   |             |             |             |             |
| Azimuth Beamwidth                           | °   | 64 ± 5.1                                | 64 ± 4.5    | 61 ± 4.2    | 64 ± 5.4    | 60 ± 5.7    |
| Front-to-Back Ratio, Total Power, ± 30°     | dB  | > 25                                    | > 25        | > 27        | > 27        | > 26        |
| <b>Vertical Pattern:</b>                    |     |   |             |             |             |             |
| Elevation Beamwidth                         | °   | 7.7 ± 0.6                               | 7.2 ± 0.4   | 6.9 ± 0.5   | 6.3 ± 0.4   | 5.7 ± 0.5   |
| Electrical Downtilt continuously adjustable | °   | 2.0 – 12.0                              |             |             |             |             |
| Tilt Accuracy                               | °   | < 0.3                                   | < 0.3       | < 0.3       | < 0.2       | < 0.3       |
| First Upper Side Lobe Suppression           | dB  | > 16                                    | > 16        | > 16        | > 21        | > 19        |
| Cross Polar Isolation                       | dB  | > 25                                    |             |             |             |             |
| Port to Port Isolation                      | dB  | > 25 (Y4 // R1, R2, B1, B2, Y1, Y2, Y3) |             |             |             |             |
| Max. Effective Power per Port               | W   | 200 (at 50 °C ambient temperature)      |             |             |             |             |

Values based on NGMN-P-BASTA (version 10.0) requirements.

## Electrical specifications, all ports

|                                      |          |                                     |
|--------------------------------------|----------|-------------------------------------|
| Impedance                            | $\Omega$ | 50                                  |
| VSWR                                 |          | < 1.5                               |
| Return Loss                          | dB       | > 14                                |
| Interband Isolation                  | dB       | > 25                                |
| Passive Intermodulation              | dBc      | < -153 (2 x 43 dBm carrier)         |
| Polarization                         | °        | -45, +45                            |
| Max. Effective Power for the Antenna | W        | 1200 (at 50 °C ambient temperature) |

Values based on NGMN-P-BASTA (version 10.0) requirements.  
\* not applicable for L-band

## Mechanical specifications

|   |   |  |
|---|---|--|
| Input                                     | 16 x 4.3-10 female  |  |
| Connector Position                        | bottom  |  |
| Adjustment Mechanism                      | FlexRET,<br>continuously adjustable                               |  |
| Wind load (at Rated Wind Speed: 150 km/h) | N   lbf   | Frontal: 630   142<br>Maximal: 1110   250                  |
| Max. Wind Velocity                        | km/h<br>mph   | 241<br>150   |
| Height / Width / Depth                    | mm<br>inches  | 2591 / 378 / 164<br>102.0 / 14.9 / 6.5                     |
| Category of Mounting Hardware             | XM (X-Medium)   |  |
| Weight                                    | kg<br>lb  | 48.8 / 53.3 (clamps incl.)<br>107.6 / 117.5 (clamps incl.) |
| Packing Size                              | mm<br>inches  | 2745 / 440 / 293<br>108.1 / 17.3 / 11.5                    |
| Scope of Supply                           | Panel, FlexRET and clamps for 55–115 mm   2.2–4.5 inches diameter |  |

## Accessories (order separately if required)

| Product No.   | Description          | Remarks<br>mm   inches  | Units per antenna |
|---------------|----------------------|---|-------------------|
| 85010097      | 2 clamps             | Mast diameter: 110–220   4.3–8.7                                  | 1                 |
| 85010110      | 1 downtilt kit       | Downtilt angle: 0°–9°   | 1                 |
| 86010154      | Site Sharing Adapter | 3-way (see figure below)  |                   |
| 86010155      | Site Sharing Adapter | 6-way (see figure below)  |                   |
| 86010162      | Gender Adapter       | Solely to be used in combination with a compatible FlexRET module | 1                 |
| KRY 121 108/1 | Port Extender        |   | 1                 |

## Accessories (included in the scope of supply)

| Product No. | Description | Remarks<br>mm   inches                      | Units per antenna |
|-------------|-------------|---|-------------------|
| 85010111    | 2 clamps    | Mast diameter: 55–115   2.2–4.5             | 1                 |
| 86010165    | FlexRET     | Compliant to 3GPP / AISG 2.0 – AISG 3 ready | 1                 |

For downtilt mounting use the clamps for an appropriate mast diameter together with the downtilt kit.  
Wall mounting: No additional mounting kit needed.

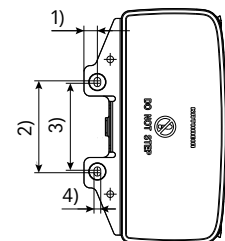
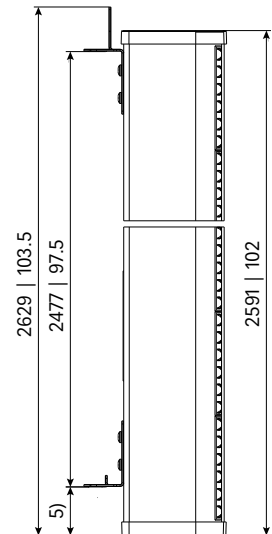
## Material:

**Reflector screen:** Aluminum.

**Fiberglass housing:** It covers totally the internal antenna components. The special design reduces the sealing areas to a minimum and guarantees the best weather protection. Fiberglass material guarantees optimum performance with regards to stability, stiffness, UV resistance and painting. The color of the radome is light grey.  
**All nuts and bolts:** Stainless steel or hot-dip galvanized steel.

## Grounding:

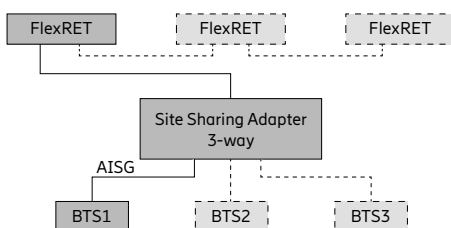
The metal parts of the antenna including the mounting kit and the inner conductors are DC grounded.



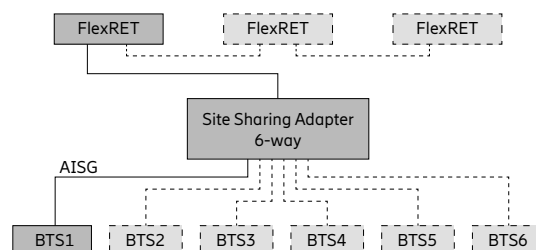
- 1) 22 | 0.9
- 2) 150 | 5.9
- 3) 142 | 5.6
- 4) 11 | 0.4
- 5) 79 | 3.1

All dimensions in mm | inches

## Configuration example with Site Sharing Adapter 86010154

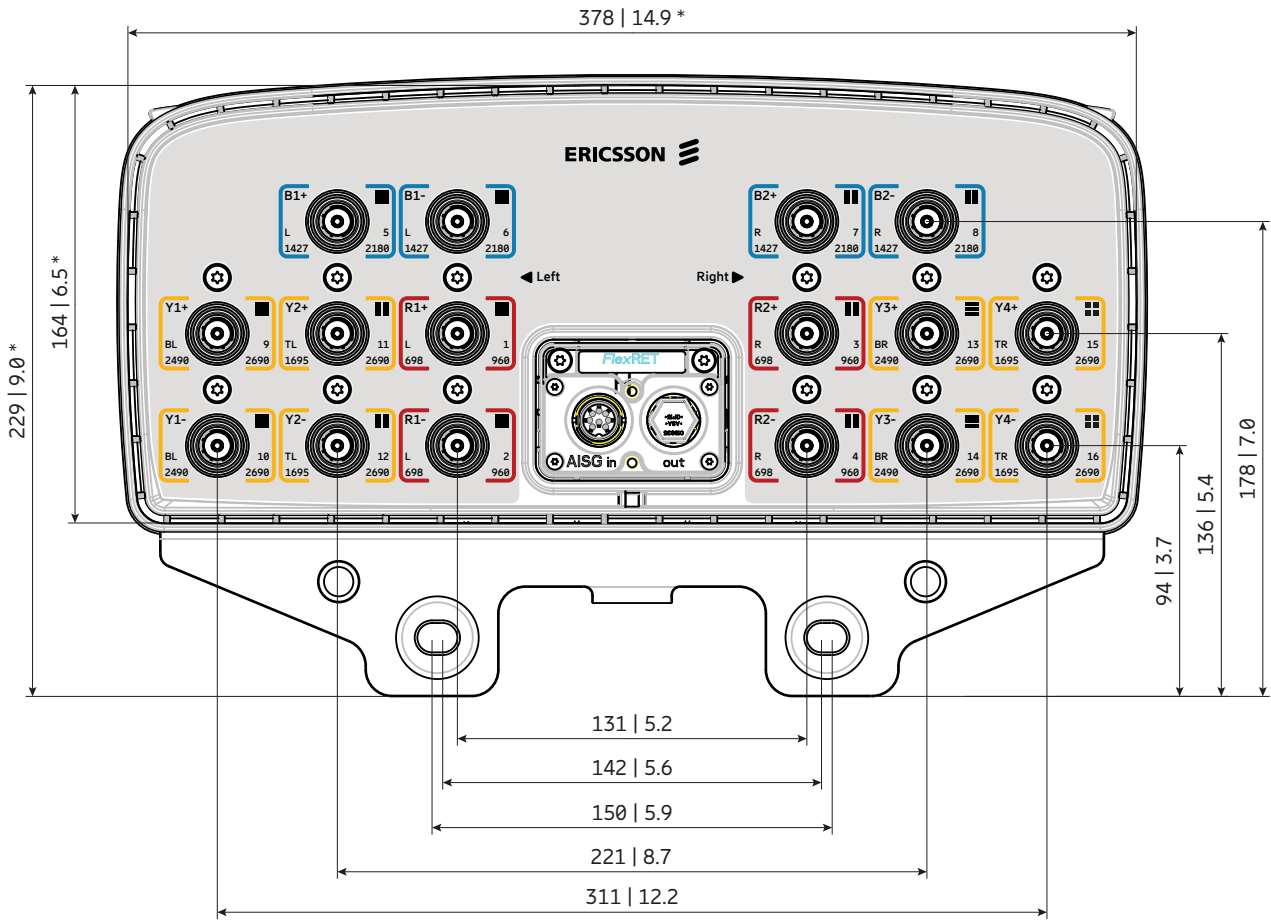


## Configuration example with Site Sharing Adapter 86010155



For more information please refer to the respective data sheets.

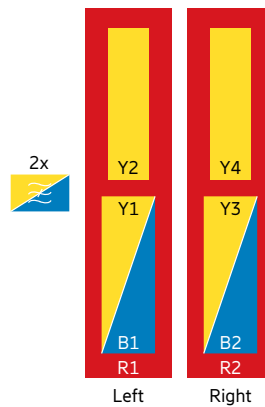
## Layout of interface

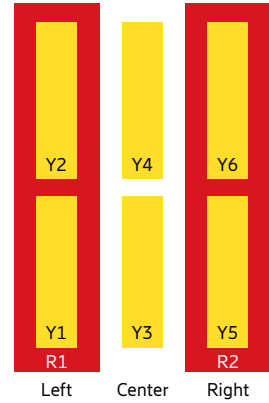


Bottom view  
 \* Dimensions refer to radome  
 All dimensions in mm | inches

## Correlation Table

| Frequency range | Array | Connector / Ports |
|-----------------|-------|-------------------|
| 698–960 MHz     | R1    | 1–2               |
| 698–960 MHz     | R2    | 3–4               |
| 1427–2180 MHz   | B1    | 5–6               |
| 1427–2180 MHz   | B2    | 7–8               |
| 2490–2690 MHz   | Y1    | 9–10              |
| 1695–2690 MHz   | Y2    | 11–12             |
| 2490–2690 MHz   | Y3    | 13–14             |
| 1695–2690 MHz   | Y4    | 15–16             |





# Antenna 4600 2L 6M 2.0m

800442008

Capacity **Compact** Coverage

65° | 2x 698–960 MHz | 15.7 dBi  
65° | 2x 1427–2690 MHz | 16.2 dBi  
65° | 2x 1695–2690 MHz | 15.9 dBi  
65° | 1x 1695–2690 MHz | 16.6 dBi  
65° | 1x 1695–2690 MHz | 16.3 dBi  
FlexRET



[ericsson.com/antenna-system](http://ericsson.com/antenna-system)



Scan or [click](#)

2LB nMB

| Left side, lowband                          |     | R1, connector 1–2                       |            |            |            |
|---|-----|---|------------|------------|------------|
| Frequency Range                             | MHz | 698 – 806                               | 791 – 862  | 824 – 894  | 880 – 960  |
| Gain at mid Tilt                            | dBi | 14.4                                    | 15.0       | 15.3       | 15.7       |
| Gain over all Tilts                         | dBi | 14.3 ± 0.6                              | 15.0 ± 0.5 | 15.3 ± 0.5 | 15.7 ± 0.4 |
| <b>Horizontal Pattern:</b>                  |     |   |            |            |            |
| Azimuth Beamwidth                           | °   | 67 ± 9                                  | 62 ± 6     | 60 ± 5     | 53 ± 7     |
| Front-to-Back Ratio, Total Power, ± 30°     | dB  | > 20                                    | > 23       | > 23       | > 22       |
| <b>Vertical Pattern:</b>                    |     |   |            |            |            |
| Elevation Beamwidth                         | °   | 11.9 ± 0.8                              | 11.1 ± 0.6 | 10.9 ± 0.6 | 10.4 ± 0.8 |
| Electrical Downtilt continuously adjustable | °   | 2.5 – 11.5                              |            |            |            |
| Tilt Accuracy                               | °   | < 0.7                                   | < 0.6      | < 0.5      | < 0.3      |
| First Upper Side Lobe Suppression           | dB  | > 16                                    | > 17       | > 19       | > 20       |
| Cross Polar Isolation                       | dB  | > 25                                    |            |            |            |
| Port to Port Isolation                      | dB  | > 25 (R1 // R2, Y1, Y2, Y3, Y4, Y5, Y6) |            |            |            |
| Max. Effective Power per Port               | W   | 400 (at 50 °C ambient temperature)      |            |            |            |

Values based on NGMN-P-BASTA (version 10.0) requirements.

| Right side, lowband                         |     | R2, connector 3–4                       |            |            |            |
|---|-----|---|------------|------------|------------|
| Frequency Range                             | MHz | 698 – 806                               | 791 – 862  | 824 – 894  | 880 – 960  |
| Gain at mid Tilt                            | dBi | 14.3                                    | 15.0       | 15.3       | 15.7       |
| Gain over all Tilts                         | dBi | 14.3 ± 0.6                              | 15.0 ± 0.5 | 15.3 ± 0.5 | 15.7 ± 0.4 |
| <b>Horizontal Pattern:</b>                  |     |   |            |            |            |
| Azimuth Beamwidth                           | °   | 67 ± 9                                  | 61 ± 7     | 59 ± 6     | 53 ± 7     |
| Front-to-Back Ratio, Total Power, ± 30°     | dB  | > 20                                    | > 23       | > 23       | > 23       |
| <b>Vertical Pattern:</b>                    |     |   |            |            |            |
| Elevation Beamwidth                         | °   | 11.9 ± 0.9                              | 11.1 ± 0.9 | 10.9 ± 0.6 | 10.4 ± 0.8 |
| Electrical Downtilt continuously adjustable | °   | 2.5 – 11.5                              |            |            |            |
| Tilt Accuracy                               | °   | < 0.5                                   | < 0.4      | < 0.4      | < 0.4      |
| First Upper Side Lobe Suppression           | dB  | > 16                                    | > 17       | > 19       | > 20       |
| Cross Polar Isolation                       | dB  | > 25                                    |            |            |            |
| Port to Port Isolation                      | dB  | > 25 (R2 // R1, Y1, Y2, Y3, Y4, Y5, Y6) |            |            |            |
| Max. Effective Power per Port               | W   | 400 (at 50 °C ambient temperature)      |            |            |            |

Values based on NGMN-P-BASTA (version 10.0) requirements.

| Left side, lower midband                    |     | Y1, connector 5–6                       |             |             |             |             |
|---|-----|---|-------------|-------------|-------------|-------------|
| Frequency Range                             | MHz | 1695 – 1880                             | 1850 – 1990 | 1920 – 2170 | 2300 – 2400 | 2500 – 2690 |
| Gain at mid Tilt                            | dBi | 15.4                                    | 15.7        | 15.9        | 15.7        | 15.7        |
| Gain over all Tilts                         | dBi | 15.4 ± 0.4                              | 15.6 ± 0.4  | 15.8 ± 0.6  | 15.6 ± 0.6  | 15.7 ± 0.5  |
| <b>Horizontal Pattern:</b>                  |     |   |             |             |             |             |
| Azimuth Beamwidth                           | °   | 64 ± 3                                  | 65 ± 4      | 63 ± 6      | 61 ± 2      | 56 ± 5      |
| Front-to-Back Ratio, Total Power, ± 30°     | dB  | > 29                                    | > 28        | > 28        | > 27        | > 26        |
| <b>Vertical Pattern:</b>                    |     |   |             |             |             |             |
| Elevation Beamwidth                         | °   | 11.2 ± 0.6                              | 10.4 ± 0.6  | 9.9 ± 0.6   | 9.0 ± 0.6   | 8.3 ± 0.5   |
| Electrical Downtilt continuously adjustable | °   | 2 – 12                                  |             |             |             |             |
| Tilt Accuracy                               | °   | < 0.5                                   | < 0.6       | < 0.6       | < 0.6       | < 0.4       |
| First Upper Side Lobe Suppression           | dB  | > 17                                    | > 16        | > 15        | > 16        | > 15        |
| Cross Polar Isolation                       | dB  | > 25                                    |             |             |             |             |
| Port to Port Isolation                      | dB  | > 25 (Y1 // R1, R2, Y2, Y3, Y4, Y5, Y6) |             |             |             |             |
| Max. Effective Power per Port               | W   | 200 (at 50 °C ambient temperature)      |             |             |             |             |

Values based on NGMN-P-BASTA (version 10.0) requirements.

| Left side, upper midband                    |     | Y2, connector 7–8                       |             |             |             |             |             |
|---|-----|---|-------------|-------------|-------------|-------------|-------------|
| Frequency Range                             | MHz | 1427 – 1518                             | 1695 – 1880 | 1850 – 1990 | 1920 – 2170 | 2300 – 2400 | 2500 – 2690 |
| Gain at mid Tilt                            | dBi | 14.7                                    | 15.7        | 16.0        | 16.2        | 16.0        | 16.0        |
| Gain over all Tilts                         | dBi | 14.7 ± 0.5                              | 15.6 ± 0.4  | 16.0 ± 0.6  | 16.2 ± 0.6  | 15.9 ± 0.7  | 15.9 ± 0.8  |
| <b>Horizontal Pattern:</b>                  |     |   |             |             |             |             |             |
| Azimuth Beamwidth                           | °   | 68 ± 5                                  | 65 ± 4      | 62 ± 5      | 60 ± 4      | 61 ± 5      | 57 ± 7      |
| Front-to-Back Ratio, Total Power, ± 30°     | dB  | > 25                                    | > 29        | > 28        | > 26        | > 26        | > 26        |
| <b>Vertical Pattern:</b>                    |     |   |             |             |             |             |             |
| Elevation Beamwidth                         | °   | 11.8 ± 0.9                              | 10.1 ± 0.6  | 9.4 ± 0.4   | 8.9 ± 0.6   | 8.0 ± 0.5   | 7.4 ± 0.6   |
| Electrical Downtilt continuously adjustable | °   | 2 – 12                                  |             |             |             |             |             |
| Tilt Accuracy                               | °   | < 0.7                                   | < 0.4       | < 0.3       | < 0.4       | < 0.3       | < 0.4       |
| First Upper Side Lobe Suppression           | dB  | > 14                                    | > 16        | > 17        | > 17        | > 17        | > 15        |
| Cross Polar Isolation                       | dB  | > 25                                    |             |             |             |             |             |
| Port to Port Isolation                      | dB  | > 25 (Y2 // R1, R2, Y1, Y3, Y4, Y5, Y6) |             |             |             |             |             |
| Max. Effective Power per Port               | W   | 200 (at 50 °C ambient temperature)      |             |             |             |             |             |

Values based on NGMN-P-BASTA (version 10.0) requirements.

| Center, lower midband                       |     | Y3, connector 9 – 10                    |             |             |             |             |
|---|-----|---|-------------|-------------|-------------|-------------|
| Frequency Range                             | MHz | 1695 – 1880                             | 1850 – 1990 | 1920 – 2170 | 2300 – 2400 | 2500 – 2690 |
| Gain at mid Tilt                            | dBi | 15.4                                    | 15.6        | 16.0        | 16.6        | 16.0        |
| Gain over all Tilts                         | dBi | 15.4 ± 0.4                              | 15.6 ± 0.3  | 15.9 ± 0.7  | 16.4 ± 0.7  | 16.0 ± 0.8  |
| <b>Horizontal Pattern:</b>                  |     |   |             |             |             |             |
| Azimuth Beamwidth                           | °   | 54 ± 5                                  | 58 ± 5      | 58 ± 5      | 58 ± 7      | 64 ± 3      |
| Front-to-Back Ratio, Total Power, ± 30°     | dB  | > 25                                    | > 25        | > 26        | > 30        | > 30        |
| <b>Vertical Pattern:</b>                    |     |   |             |             |             |             |
| Elevation Beamwidth                         | °   | 12.9 ± 0.9                              | 12.2 ± 0.8  | 11.3 ± 1.1  | 10.0 ± 0.6  | 9.4 ± 0.5   |
| Electrical Downtilt continuously adjustable | °   | 2 – 12                                  |             |             |             |             |
| Tilt Accuracy                               | °   | < 0.7                                   | < 0.4       | < 0.5       | < 0.7       | < 0.5       |
| First Upper Side Lobe Suppression           | dB  | > 17                                    | > 18        | > 17        | > 17        | > 16        |
| Cross Polar Isolation                       | dB  | > 25                                    |             |             |             |             |
| Port to Port Isolation                      | dB  | > 25 (Y3 // R1, R2, Y1, Y2, Y4, Y5, Y6) |             |             |             |             |
| Max. Effective Power per Port               | W   | 200 (at 50 °C ambient temperature)      |             |             |             |             |

Values based on NGMN-P-BASTA (version 10.0) requirements.

| Center, upper midband                       |     | Y4, connector 11 – 12                   |             |             |             |             |
|---|-----|---|-------------|-------------|-------------|-------------|
| Frequency Range                             | MHz | 1695 – 1880                             | 1850 – 1990 | 1920 – 2170 | 2300 – 2400 | 2500 – 2690 |
| Gain at mid Tilt                            | dBi | 15.6                                    | 15.9        | 16.1        | 16.3        | 15.8        |
| Gain over all Tilts                         | dBi | 15.6 ± 0.7                              | 15.9 ± 0.3  | 16.1 ± 0.5  | 16.2 ± 0.4  | 15.8 ± 0.3  |
| <b>Horizontal Pattern:</b>                  |     |   |             |             |             |             |
| Azimuth Beamwidth                           | °   | 52 ± 7                                  | 54 ± 5      | 57 ± 4      | 59 ± 5      | 64 ± 2      |
| Front-to-Back Ratio, Total Power, ± 30°     | dB  | > 27                                    | > 29        | > 30        | > 30        | > 31        |
| <b>Vertical Pattern:</b>                    |     |   |             |             |             |             |
| Elevation Beamwidth                         | °   | 12.5 ± 1.0                              | 11.8 ± 0.8  | 11.0 ± 1.0  | 9.8 ± 0.5   | 9.3 ± 0.5   |
| Electrical Downtilt continuously adjustable | °   | 2 – 12                                  |             |             |             |             |
| Tilt Accuracy                               | °   | < 0.5                                   | < 0.4       | < 0.4       | < 0.6       | < 0.6       |
| First Upper Side Lobe Suppression           | dB  | > 19                                    | > 19        | > 20        | > 21        | > 20        |
| Cross Polar Isolation                       | dB  | > 25                                    |             |             |             |             |
| Port to Port Isolation                      | dB  | > 25 (Y4 // R1, R2, Y1, Y2, Y3, Y5, Y6) |             |             |             |             |
| Max. Effective Power per Port               | W   | 200 (at 50 °C ambient temperature)      |             |             |             |             |

Values based on NGMN-P-BASTA (version 10.0) requirements.

## Right side, lower midband

## Y5, connector 13–14

| Frequency Range                             | MHz | 1695 – 1880                             | 1850 – 1990 | 1920 – 2170 | 2300 – 2400 | 2500 – 2690 |
|---|-----|---|-------------|-------------|-------------|-------------|
| Gain at mid Tilt                            | dBi | 15.4                                    | 15.7        | 15.9        | 15.6        | 15.9        |
| Gain over all Tilts                         | dBi | 15.3 ± 0.4                              | 15.6 ± 0.4  | 15.8 ± 0.6  | 15.5 ± 0.6  | 15.8 ± 0.5  |
| <b>Horizontal Pattern:</b>                  |     |   |             |             |             |             |
| Azimuth Beamwidth                           | °   | 64 ± 3                                  | 65 ± 4      | 62 ± 4      | 63 ± 3      | 54 ± 5      |
| Front-to-Back Ratio, Total Power, ± 30°     | dB  | > 28                                    | > 26        | > 27        | > 26        | > 27        |
| <b>Vertical Pattern:</b>                    |     |   |             |             |             |             |
| Elevation Beamwidth                         | °   | 11.1 ± 0.7                              | 10.4 ± 0.5  | 9.8 ± 0.7   | 9.0 ± 0.9   | 8.4 ± 0.6   |
| Electrical Downtilt continuously adjustable | °   | 2 – 12                                  |             |             |             |             |
| Tilt Accuracy                               | °   | < 0.5                                   | < 0.6       | < 0.6       | < 0.5       | < 0.5       |
| First Upper Side Lobe Suppression           | dB  | > 17                                    | > 16        | > 16        | > 17        | > 15        |
| Cross Polar Isolation                       | dB  | > 25                                    |             |             |             |             |
| Port to Port Isolation                      | dB  | > 25 (Y5 // R1, R2, Y1, Y2, Y3, Y4, Y6) |             |             |             |             |
| Max. Effective Power per Port               | W   | 200 (at 50 °C ambient temperature)      |             |             |             |             |

Values based on NGMN-P-BASTA (version 10.0) requirements.

## Right side, upper midband

## Y6, connector 15–16

| Frequency Range                             | MHz | 1427 – 1518                             | 1695 – 1880 | 1850 – 1990 | 1920 – 2170 | 2300 – 2400 | 2500 – 2690 |
|---|-----|---|-------------|-------------|-------------|-------------|-------------|
| Gain at mid Tilt                            | dBi | 14.6                                    | 15.6        | 15.9        | 16.2        | 16.0        | 16.0        |
| Gain over all Tilts                         | dBi | 14.5 ± 0.3                              | 15.5 ± 0.5  | 15.9 ± 0.6  | 16.1 ± 0.7  | 15.9 ± 0.7  | 15.9 ± 0.8  |
| <b>Horizontal Pattern:</b>                  |     |   |             |             |             |             |             |
| Azimuth Beamwidth                           | °   | 70 ± 5                                  | 66 ± 4      | 64 ± 5      | 61 ± 5      | 62 ± 5      | 57 ± 5      |
| Front-to-Back Ratio, Total Power, ± 30°     | dB  | > 26                                    | > 29        | > 28        | > 25        | > 25        | > 26        |
| <b>Vertical Pattern:</b>                    |     |   |             |             |             |             |             |
| Elevation Beamwidth                         | °   | 12.0 ± 1.0                              | 10.1 ± 0.6  | 9.4 ± 0.5   | 8.9 ± 0.6   | 8.1 ± 0.5   | 7.6 ± 0.5   |
| Electrical Downtilt continuously adjustable | °   | 2 – 12                                  |             |             |             |             |             |
| Tilt Accuracy                               | °   | < 0.6                                   | < 0.4       | < 0.4       | < 0.4       | < 0.3       | < 0.4       |
| First Upper Side Lobe Suppression           | dB  | > 15                                    | > 17        | > 18        | > 17        | > 18        | > 17        |
| Cross Polar Isolation                       | dB  | > 25                                    |             |             |             |             |             |
| Port to Port Isolation                      | dB  | > 25 (Y6 // R1, R2, Y1, Y2, Y3, Y4, Y5) |             |             |             |             |             |
| Max. Effective Power per Port               | W   | 200 (at 50 °C ambient temperature)      |             |             |             |             |             |

Values based on NGMN-P-BASTA (version 10.0) requirements.



## Electrical specifications, all ports

|                                      |          |                                     |
|--------------------------------------|----------|-------------------------------------|
| Impedance                            | $\Omega$ | 50                                  |
| VSWR                                 |          | < 1.5                               |
| Return Loss                          | dB       | > 14                                |
| Interband Isolation                  | dB       | > 25                                |
| Passive Intermodulation              | dBc      | < -153 (2 x 43 dBm carrier)*        |
| Polarization                         | °        | +45, -45                            |
| Max. Effective Power for the Antenna | W        | 1200 (at 50 °C ambient temperature) |

Values based on NGMN-P-BASTA (version 10.0) requirements.  
\* not applicable for L-band

## Mechanical specifications

|   |   |   |
|---|---|---|
| Input                                     | 16x 4.3-10 female   |   |
| Connector Position                        | bottom  |   |
| Adjustment Mechanism                      | FlexRET,<br>continuously adjustable                               |   |
| Wind load (at Rated Wind Speed: 150 km/h) | N   lbf   | Frontal: 690   155<br>Maximal: 925   208                |
| Max. Wind Velocity                        | km/h<br>mph   | 241<br>150  |
| Height / Width / Depth                    | mm<br>inches  | 1944 / 448 / 164<br>76.5 / 17.6 / 6.5                   |
| Category of Mounting Hardware             | XM (X-Medium)   |   |
| Weight                                    | kg<br>lb  | 43 / 47.5 (clamps incl.)<br>94.8 / 104.7 (clamps incl.) |
| Packing Size                              | mm<br>inches  | 2095 / 510 / 293<br>82.5 / 20.1 / 11.5                  |
| Scope of Supply                           | Panel, FlexRET and clamps for 55–115 mm   2.2–4.5 inches diameter |   |

## Accessories (order separately if required)

| Product No.   | Description          | Remarks<br>mm   inches  | Units per antenna |
|---------------|----------------------|---|-------------------|
| 85010097      | 2 clamps             | Mast diameter: 110–220   4.3–8.7                                  | 1                 |
| 85010110      | 1 downtilt kit       | Downtilt angle: 0°–10°  | 1                 |
| 86010154      | Site Sharing Adapter | 3-way (see figure below)  |                   |
| 86010155      | Site Sharing Adapter | 6-way (see figure below)  |                   |
| 86010162      | Gender Adapter       | Solely to be used in combination with a compatible FlexRET module | 1                 |
| KRY 121 108/1 | Port Extender        |   | 1                 |

## Accessories (included in the scope of supply)

| Product No. | Description | Remarks<br>mm   inches                     | Units per antenna |
|-------------|-------------|--|-------------------|
| 85010111    | 2 clamps    | Mast diameter: 55–115   2.2–4.5            | 1                 |
| 86010165    | FlexRET     | Compliant to 3GPP / AISG 2.0– AISG 3 ready | 1                 |

For downtilt mounting use the clamps for an appropriate mast diameter together with the downtilt kit.  
Wall mounting: No additional mounting kit needed.

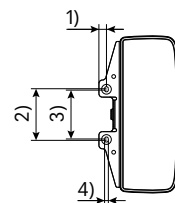
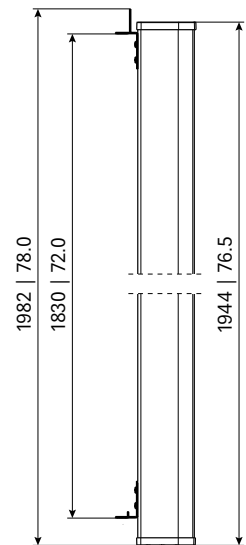
## Material:

**Reflector screen:** Aluminum.

**Fiberglass housing:** It covers totally the internal antenna components. The special design reduces the sealing areas to a minimum and guarantees the best weather protection. Fiberglass material guarantees optimum performance with regards to stability, stiffness, UV resistance and painting. The color of the radome is light grey.  
**All nuts and bolts:** Stainless steel or hot-dip galvanized steel.

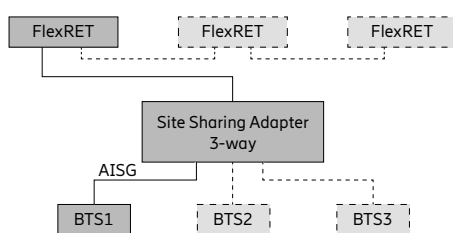
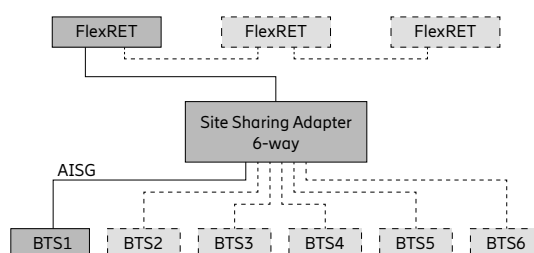
## Grounding:

The metal parts of the antenna including the mounting kit and the inner conductors are DC grounded.



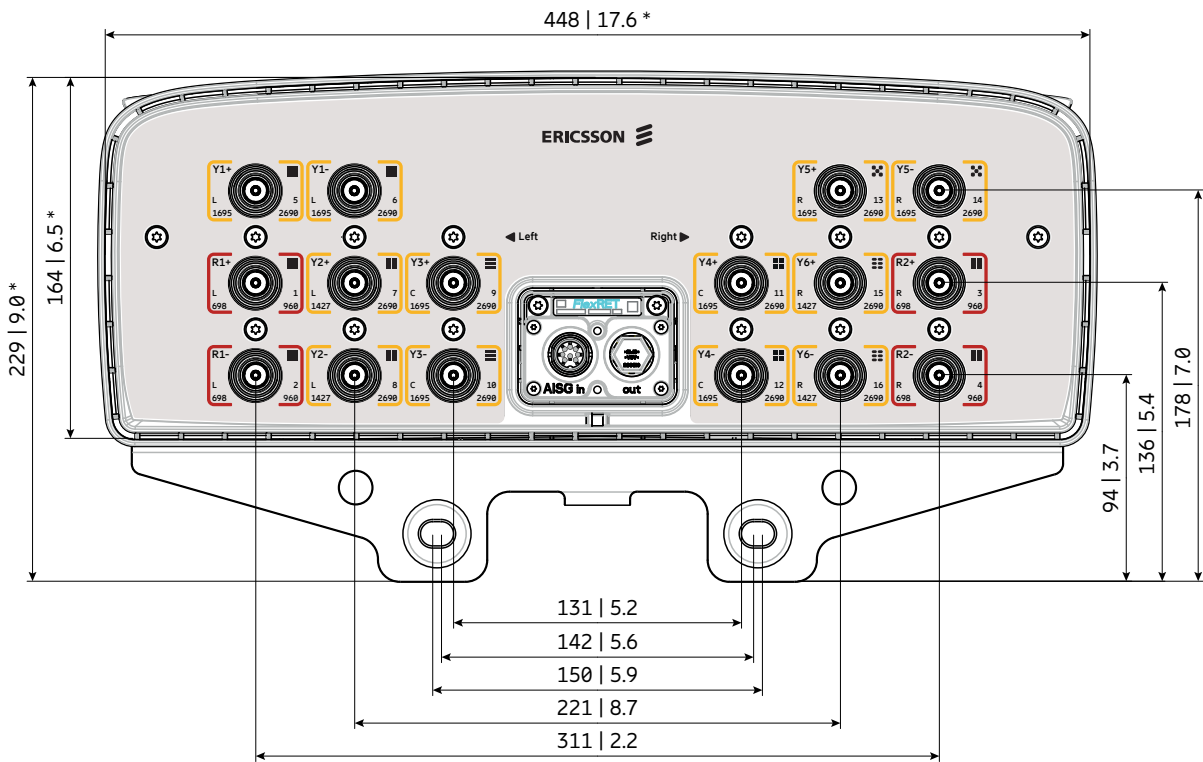
- 1) 22 | 0.9
- 2) 150 | 5.9
- 3) 142 | 5.6
- 4) 11 | 0.4

All dimensions  
in mm | inches

Configuration example  
with Site Sharing Adapter 86010154Configuration example  
with Site Sharing Adapter 86010155

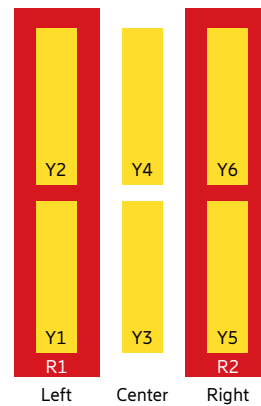
For more information please refer to the respective data sheets.

## Layout of interface



## Correlation Table

| Frequency range | Array | Connector / Ports |
|-----------------|-------|-------------------|
| 698–960 MHz     | R1    | 1–2               |
| 698–960 MHz     | R2    | 3–4               |
| 1695–2690 MHz   | Y1    | 5–6               |
| 1427–2690 MHz   | Y2    | 7–8               |
| 1695–2690 MHz   | Y3    | 9–10              |
| 1695–2690 MHz   | Y4    | 11–12             |
| 1695–2690 MHz   | Y5    | 13–14             |
| 1427–2690 MHz   | Y6    | 15–16             |





# Antenna 5500 2L 8M 2.0m

## 800482028

Capacity

Compact

Coverage

65° | 2x 698–960 MHz | 15.9 dBi  
 65° | 2x 1695–2690 MHz | 16.0 dBi  
 65° | 2x 1427–2690 MHz | 16.0 dBi  
 65° | 2x 1695–2180 MHz | 16.2 dBi  
 65° | 2x 2490–2690 MHz | 16.5 dBi  
 FlexRET

Common Tilt  
 B1 and B2: 2°–12°  
 Y3 and Y4: 2°–12°



[ericsson.com/antenna-system](https://ericsson.com/antenna-system)



Scan or [click](#)

| Left side, lowband                          |     | R1, connector 1–2                              |            |            |            |
|---|-----|--|------------|------------|------------|
| Frequency Range                             | MHz | 698 – 806                                      | 791 – 862  | 824 – 894  | 880 – 960  |
| Gain at mid Tilt                            | dBi | 15.0   | 15.4       | 15.6       | 15.9       |
| Gain over all Tilts                         | dBi | 15.0 ± 0.6                                     | 15.4 ± 0.5 | 15.6 ± 0.5 | 15.9 ± 0.4 |
| <b>Horizontal Pattern:</b>                  |     |  |            |            |            |
| Azimuth Beamwidth                           | °   | 62 ± 5.9                                       | 57 ± 5.3   | 55 ± 4.6   | 53 ± 5.0   |
| Front-to-Back Ratio, Total Power, ± 30°     | dB  | > 19   | > 20       | > 21       | > 23       |
| <b>Vertical Pattern:</b>                    |     |  |            |            |            |
| Elevation Beamwidth                         | °   | 11.7 ± 1.0                                     | 11.0 ± 0.7 | 10.8 ± 0.5 | 10.2 ± 0.9 |
| Electrical Downtilt continuously adjustable | °   | 2.5 – 11.5                                     |            |            |            |
| Tilt Accuracy                               | °   | < 0.4  | < 0.4      | < 0.4      | < 0.5      |
| First Upper Side Lobe Suppression           | dB  | > 19   | > 19       | > 20       | > 20       |
| Cross Polar Isolation                       | dB  | > 25   |            |            |            |
| Port to Port Isolation                      | dB  | >25 (R1 // R2, B1, B2, Y1, Y2, Y3, Y4, Y5, Y6) |            |            |            |
| Max. Effective Power per Port               | W   | 400 (at 50 °C ambient temperature)             |            |            |            |

Values based on NGMN-P-BASTA (version 10.0) requirements.

| Right side, lowband                         |     | R2, connector 3–4                              |            |            |            |
|---|-----|--|------------|------------|------------|
| Frequency Range                             | MHz | 698 – 806                                      | 791 – 862  | 824 – 894  | 880 – 960  |
| Gain at mid Tilt                            | dBi | 14.9   | 15.4       | 15.7       | 16.0       |
| Gain over all Tilts                         | dBi | 14.9 ± 0.7                                     | 15.4 ± 0.5 | 15.7 ± 0.4 | 15.9 ± 0.3 |
| <b>Horizontal Pattern:</b>                  |     |  |            |            |            |
| Azimuth Beamwidth                           | °   | 62 ± 6.5                                       | 57 ± 5.1   | 55 ± 4.8   | 52 ± 4.5   |
| Front-to-Back Ratio, Total Power, ± 30°     | dB  | > 19   | > 21       | > 21       | > 23       |
| <b>Vertical Pattern:</b>                    |     |  |            |            |            |
| Elevation Beamwidth                         | °   | 11.8 ± 1.1                                     | 11.0 ± 0.6 | 10.7 ± 0.5 | 10.2 ± 0.7 |
| Electrical Downtilt continuously adjustable | °   | 2.5 – 11.5                                     |            |            |            |
| Tilt Accuracy                               | °   | < 0.4  | < 0.4      | < 0.4      | < 0.5      |
| First Upper Side Lobe Suppression           | dB  | > 19   | > 20       | > 20       | > 20       |
| Cross Polar Isolation                       | dB  | > 25   |            |            |            |
| Port to Port Isolation                      | dB  | >25 (R2 // R1, B1, B2, Y1, Y2, Y3, Y4, Y5, Y6) |            |            |            |
| Max. Effective Power per Port               | W   | 400 (at 50 °C ambient temperature)             |            |            |            |

Values based on NGMN-P-BASTA (version 10.0) requirements.

| Left side, lower midband                    |     | Y1, connector 7–8                              |             |             |             |             |  |
|---|-----|--|-------------|-------------|-------------|-------------|--|
| Frequency Range                             | MHz | 1695 – 1880                                    | 1850 – 1990 | 1920 – 2200 | 2300 – 2400 | 2490 – 2690 |  |
| Gain at mid Tilt                            | dBi | 14.9   | 15.3        | 15.5        | 15.8        | 16.1        |  |
| Gain over all Tilts                         | dBi | 14.9 ± 0.4                                     | 15.2 ± 0.5  | 15.4 ± 0.6  | 15.7 ± 0.5  | 16.1 ± 0.7  |  |
| <b>Horizontal Pattern:</b>                  |     |  |             |             |             |             |  |
| Azimuth Beamwidth                           | °   | 70 ± 4.6                                       | 68 ± 7.4    | 66 ± 9.7    | 60 ± 5.3    | 54 ± 6.1    |  |
| Front-to-Back Ratio, Total Power, ± 30°     | dB  | > 26   | > 27        | > 27        | > 29        | > 28        |  |
| <b>Vertical Pattern:</b>                    |     |  |             |             |             |             |  |
| Elevation Beamwidth                         | °   | 10.7 ± 1.0                                     | 9.9 ± 0.6   | 9.5 ± 0.8   | 8.6 ± 0.5   | 8.1 ± 0.5   |  |
| Electrical Downtilt continuously adjustable | °   | 2.0 – 12.0                                     |             |             |             |             |  |
| Tilt Accuracy                               | °   | < 0.6  | < 0.5       | < 0.6       | < 0.5       | < 0.6       |  |
| First Upper Side Lobe Suppression           | dB  | > 16   | > 15        | > 16        | > 17        | > 18        |  |
| Cross Polar Isolation                       | dB  | > 25   |             |             |             |             |  |
| Port to Port Isolation                      | dB  | >25 (Y1 // R1, R2, B1, B2, Y2, Y3, Y4, Y5, Y6) |             |             |             |             |  |
| Max. Effective Power per Port               | W   | 200 (at 50 °C ambient temperature)             |             |             |             |             |  |

Values based on NGMN-P-BASTA (version 10.0) requirements.

| Left side, upper midband                    |     | Y2, connector 9–10                             |             |             |             |             |             |
|---|-----|--|-------------|-------------|-------------|-------------|-------------|
| Frequency Range                             | MHz | 1427 – 1518                                    | 1695 – 1880 | 1850 – 1990 | 1920 – 2200 | 2300 – 2400 | 2490 – 2690 |
| Gain at mid Tilt                            | dBi | 14.9   | 15.6        | 15.7        | 15.9        | 15.9        | 16.1        |
| Gain over all Tilts                         | dBi | 14.8 ± 0.4                                     | 15.5 ± 0.4  | 15.6 ± 0.6  | 15.8 ± 0.6  | 15.8 ± 0.6  | 16.1 ± 0.8  |
| <b>Horizontal Pattern:</b>                  |     |  |             |             |             |             |             |
| Azimuth Beamwidth                           | °   | 66 ± 4.7                                       | 71 ± 5.0    | 71 ± 5.8    | 68 ± 6.8    | 62 ± 4.2    | 61 ± 6.7    |
| Front-to-Back Ratio, Total Power, ± 30°     | dB  | > 27   | > 26        | > 27        | > 28        | > 29        | > 28        |
| <b>Vertical Pattern:</b>                    |     |  |             |             |             |             |             |
| Elevation Beamwidth                         | °   | 11.3 ± 1.0                                     | 9.9 ± 0.6   | 9.3 ± 0.7   | 8.8 ± 0.7   | 7.9 ± 0.6   | 7.3 ± 0.5   |
| Electrical Downtilt continuously adjustable | °   | 2.0 – 12.0                                     |             |             |             |             |             |
| Tilt Accuracy                               | °   | < 0.5  | < 0.3       | < 0.4       | < 0.4       | < 0.3       | < 0.4       |
| First Upper Side Lobe Suppression           | dB  | > 12   | > 18        | > 20        | > 19        | > 19        | > 18        |
| Cross Polar Isolation                       | dB  | > 25   |             |             |             |             |             |
| Port to Port Isolation                      | dB  | >25 (Y2 // R1, R2, B1, B2, Y1, Y3, Y4, Y5, Y6) |             |             |             |             |             |
| Max. Effective Power per Port               | W   | 200 (at 50 °C ambient temperature)             |             |             |             |             |             |

Values based on NGMN-P-BASTA (version 10.0) requirements.

| Left side, center midband                            |     | B1, connector 5–6                               |             |             | Y3, connector 11–12                             |
|--|-----|---|-------------|-------------|---|
| Frequency Range                                      | MHz | 1695 – 1880                                     | 1850 – 1990 | 1920 – 2180 | 2490 – 2690                                     |
| Gain at mid Tilt                                     | dBi | 16.1  | 16.2        | 16.1        | 16.5  |
| Gain over all Tilts                                  | dBi | 16.0 ± 0.6                                      | 16.1 ± 0.7  | 16.0 ± 0.8  | 16.3 ± 0.6                                      |
| <b>Horizontal Pattern:</b>                           |     |   |             |             |   |
| Azimuth Beamwidth                                    | °   | 61 ± 11.7                                       | 62 ± 8.9    | 65 ± 10.0   | 63 ± 4.5  |
| Front-to-Back Ratio, Total Power, ± 30°              | dB  | > 26  | > 26        | > 24        | > 29  |
| <b>Vertical Pattern:</b>                             |     |   |             |             |   |
| Elevation Beamwidth                                  | °   | 7.9 ± 0.7                                       | 7.2 ± 0.6   | 6.8 ± 0.6   | 5.6 ± 0.4                                       |
| Electrical Downtilt continuously adjustable          | °   | 2.0 – 12.0                                      |             |             | 2.0 – 12.0                                      |
| Tilt Accuracy  | °   | < 0.3   | < 0.4       | < 0.4       | < 0.2   |
| First Upper Side Lobe Suppression                    | dB  | > 19  | > 16        | > 15        | > 17  |
| Cross Polar Isolation                                | dB  | > 25  |             |             | > 25  |
| Port to Port Isolation                               | dB  | > 25 (B1 // R1, R2, B2, Y1, Y2, Y3, Y4, Y5, Y6) |             |             | > 25 (Y3 // R1, R2, B1, B2, Y1, Y2, Y4, Y5, Y6) |
| Max. Effective Power per Port                        | W   | 150 (at 50 °C ambient temperature)              |             |             | 120 (at 50 °C ambient temperature)              |
| Max. Effective Power per Group of Ports 5+11 // 6+12 | W   | 200 (at 50 °C ambient temperature)              |             |             |   |

Values based on NGMN-P-BASTA (version 10.0) requirements.

| Right side, center midband                             |     | B2, connector 17–18                             |             |             | Y4, connector 19–20                             |
|--|-----|---|-------------|-------------|---|
| Frequency Range  | MHz | 1695 – 1880                                     | 1850 – 1990 | 1920 – 2180 | 2490 – 2690                                     |
| Gain at mid Tilt                                       | dBi | 16.2  | 16.3        | 16.2        | 16.5  |
| Gain over all Tilts                                    | dBi | 16.1 ± 0.5                                      | 16.1 ± 0.7  | 16.0 ± 0.9  | 16.3 ± 0.6                                      |
| <b>Horizontal Pattern:</b>                             |     |   |             |             |   |
| Azimuth Beamwidth                                      | °   | 61 ± 9.4  | 61 ± 8.5    | 65 ± 11.1   | 64 ± 4.6  |
| Front-to-Back Ratio, Total Power, ± 30°                | dB  | > 26  | > 24        | > 23        | > 28  |
| <b>Vertical Pattern:</b>                               |     |   |             |             |   |
| Elevation Beamwidth                                    | °   | 7.8 ± 0.6                                       | 7.1 ± 0.5   | 6.8 ± 0.5   | 5.6 ± 0.4                                       |
| Electrical Downtilt continuously adjustable            | °   | 2.0 – 12.0                                      |             |             | 2.0 – 12.0                                      |
| Tilt Accuracy  | °   | < 0.3   | < 0.3       | < 0.4       | < 0.2   |
| First Upper Side Lobe Suppression                      | dB  | > 17  | > 17        | > 15        | > 17  |
| Cross Polar Isolation                                  | dB  | > 25  |             |             | > 25  |
| Port to Port Isolation                                 | dB  | > 25 (B2 // R1, R2, B1, Y1, Y2, Y3, Y4, Y5, Y6) |             |             | > 25 (Y4 // R1, R2, B1, B2, Y1, Y2, Y3, Y5, Y6) |
| Max. Effective Power per Port                          | W   | 150 (at 50 °C ambient temperature)              |             |             | 120 (at 50 °C ambient temperature)              |
| Max. Effective Power per Group of Ports 17+19 // 18+20 | W   | 200 (at 50 °C ambient temperature)              |             |             |   |

Values based on NGMN-P-BASTA (version 10.0) requirements.

## Right side, lower midband

## Y5, connector 13–14

| Frequency Range                             | MHz | 1695 – 1880                                    | 1850 – 1990 | 1920 – 2200 | 2300 – 2400 | 2490 – 2690 |
|---|-----|--|-------------|-------------|-------------|-------------|
| Gain at mid Tilt                            | dBi | 14.7   | 15.0        | 15.2        | 15.5        | 16.0        |
| Gain over all Tilts                         | dBi | 14.7 ± 0.5                                     | 14.9 ± 0.5  | 15.2 ± 0.7  | 15.5 ± 0.4  | 15.9 ± 0.6  |
| <b>Horizontal Pattern:</b>                  |     |  |             |             |             |             |
| Azimuth Beamwidth                           | °   | 71 ± 6.1                                       | 71 ± 9.1    | 66 ± 11.7   | 61 ± 4.8    | 54 ± 5.7    |
| Front-to-Back Ratio, Total Power, ± 30°     | dB  | > 26   | > 26        | > 27        | > 26        | > 27        |
| <b>Vertical Pattern:</b>                    |     |  |             |             |             |             |
| Elevation Beamwidth                         | °   | 10.8 ± 1.0                                     | 10.0 ± 0.6  | 9.5 ± 0.8   | 8.6 ± 0.5   | 8.1 ± 0.5   |
| Electrical Downtilt continuously adjustable | °   | 2.0 – 12.0                                     |             |             |             |             |
| Tilt Accuracy                               | °   | < 0.5  | < 0.4       | < 0.5       | < 0.5       | < 0.5       |
| First Upper Side Lobe Suppression           | dB  | > 17   | > 16        | > 17        | > 18        | > 19        |
| Cross Polar Isolation                       | dB  | > 25   |             |             |             |             |
| Port to Port Isolation                      | dB  | >25 (Y5 // R1, R2, B1, B2, Y1, Y2, Y3, Y4, Y6) |             |             |             |             |
| Max. Effective Power per Port               | W   | 200 (at 50 °C ambient temperature)             |             |             |             |             |

Values based on NGMN-P-BASTA (version 10.0) requirements.

## Right side, upper midband

## Y6, connector 15–16

| Frequency Range                             | MHz | 1427 – 1518                                    | 1695 – 1880 | 1850 – 1990 | 1920 – 2200 | 2300 – 2400 | 2490 – 2690 |
|---|-----|--|-------------|-------------|-------------|-------------|-------------|
| Gain at mid Tilt                            | dBi | 14.8   | 15.6        | 15.9        | 16.0        | 16.0        | 16.0        |
| Gain over all Tilts                         | dBi | 14.8 ± 0.4                                     | 15.6 ± 0.5  | 15.8 ± 0.6  | 15.9 ± 0.6  | 15.9 ± 0.7  | 16.0 ± 0.7  |
| <b>Horizontal Pattern:</b>                  |     |  |             |             |             |             |             |
| Azimuth Beamwidth                           | °   | 67 ± 4.9                                       | 71 ± 4.3    | 69 ± 4.5    | 67 ± 5.4    | 61 ± 4.7    | 62 ± 6.3    |
| Front-to-Back Ratio, Total Power, ± 30°     | dB  | > 26   | > 26        | > 27        | > 28        | > 27        | > 27        |
| <b>Vertical Pattern:</b>                    |     |  |             |             |             |             |             |
| Elevation Beamwidth                         | °   | 11.6 ± 1.1                                     | 10.0 ± 0.6  | 9.3 ± 0.5   | 8.9 ± 0.6   | 8.1 ± 0.6   | 7.3 ± 0.7   |
| Electrical Downtilt continuously adjustable | °   | 2.0 – 12.0                                     |             |             |             |             |             |
| Tilt Accuracy                               | °   | < 0.6  | < 0.3       | < 0.4       | < 0.4       | < 0.3       | < 0.4       |
| First Upper Side Lobe Suppression           | dB  | > 13   | > 18        | > 20        | > 20        | > 18        | > 16        |
| Cross Polar Isolation                       | dB  | > 25   |             |             |             |             |             |
| Port to Port Isolation                      | dB  | >25 (Y6 // R1, R2, B1, B2, Y1, Y2, Y3, Y4, Y5) |             |             |             |             |             |
| Max. Effective Power per Port               | W   | 200 (at 50 °C ambient temperature)             |             |             |             |             |             |

Values based on NGMN-P-BASTA (version 10.0) requirements.

## Electrical specifications, all ports

|                                      |          |                                     |
|--------------------------------------|----------|-------------------------------------|
| Impedance                            | $\Omega$ | 50                                  |
| VSWR                                 |          | < 1.5                               |
| Return Loss                          | dB       | > 14                                |
| Interband Isolation                  | dB       | > 25                                |
| Passive Intermodulation              | dBc      | < -153 (2 x 43 dBm carrier)         |
| Polarization                         | °        | +45, -45°                           |
| Max. Effective Power for the Antenna | W        | 1200 (at 50 °C ambient temperature) |

Values based on NGMN-P-BASTA (version 10.0) requirements.

## Mechanical specifications

|   |   |  |
|---|---|--|
| Input                                     | 20 x 4.3-10 female  |  |
| Connector Position                        | bottom  |  |
| Adjustment Mechanism                      | FlexRET, continuously adjustable                                  |  |
| Wind load (at Rated Wind Speed: 150 km/h) | N   lbf   | Frontal: 905   203<br>Maximal: 1030   232                |
| Max. Wind Velocity                        | km/h<br>mph   | 241<br>150   |
| Height / Width / Depth                    | mm<br>inches  | 1999 / 488 / 164<br>78.7 / 19.2 / 6.5                    |
| Category of Mounting Hardware             | XM (X-Medium)   |  |
| Weight (approx.)                          | kg<br>lb  | 49.0 / 53.5 (clamps incl.)<br>108 / 117,7 (clamps incl.) |
| Packing Size                              | mm<br>inches  | 2180 / 550 / 293<br>85.8 / 21.7 / 11.5                   |
| Scope of Supply                           | Panel, FlexRET and clamps for 55–115 mm   2.2–4.5 inches diameter |  |

## Accessories (order separately if required)

| Product No. | Description    | Remarks<br>mm   inches           | Units per antenna |
|-------------|----------------|----------------------------------|-------------------|
| 85010097    | 2 clamps       | Mast diameter: 110–220   4.3–8.7 | 1                 |
| 85010110    | 1 downtilt kit | Downtilt angle: 0°–10°           | 1                 |

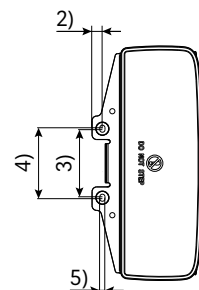
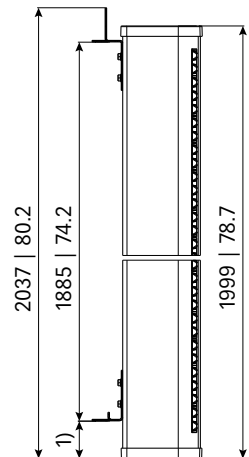
## Accessories (included in the scope of supply)

| Product No.   | Description               | Remarks<br>mm   inches                      | Units per antenna |
|---------------|---------------------------|---|-------------------|
| 85010111      | 2 clamps                  | Mast diameter: 55–115   2.2–4.5             | 1                 |
| 86010165      | FlexRET                   | Compliant to 3GPP / AISG 2.0 – AISG 3 ready | 1                 |
| KRY 121 108/1 | Port Extender for FlexRET |   |                   |

For downtilt mounting use the clamps for an appropriate mast diameter together with the downtilt kit.  
Wall mounting: No additional mounting kit needed.

**Material:** **Reflector screen:** Aluminum.  
**Fiberglass housing:** It covers totally the internal antenna components. The special design reduces the sealing areas to a minimum and guarantees the best weather protection. Fiberglass material guarantees optimum performance with regards to stability, stiffness, UV resistance and painting. The color of the radome is light grey.

**Grounding:** The metal parts of the antenna including the mounting kit and the inner conductors are DC grounded.

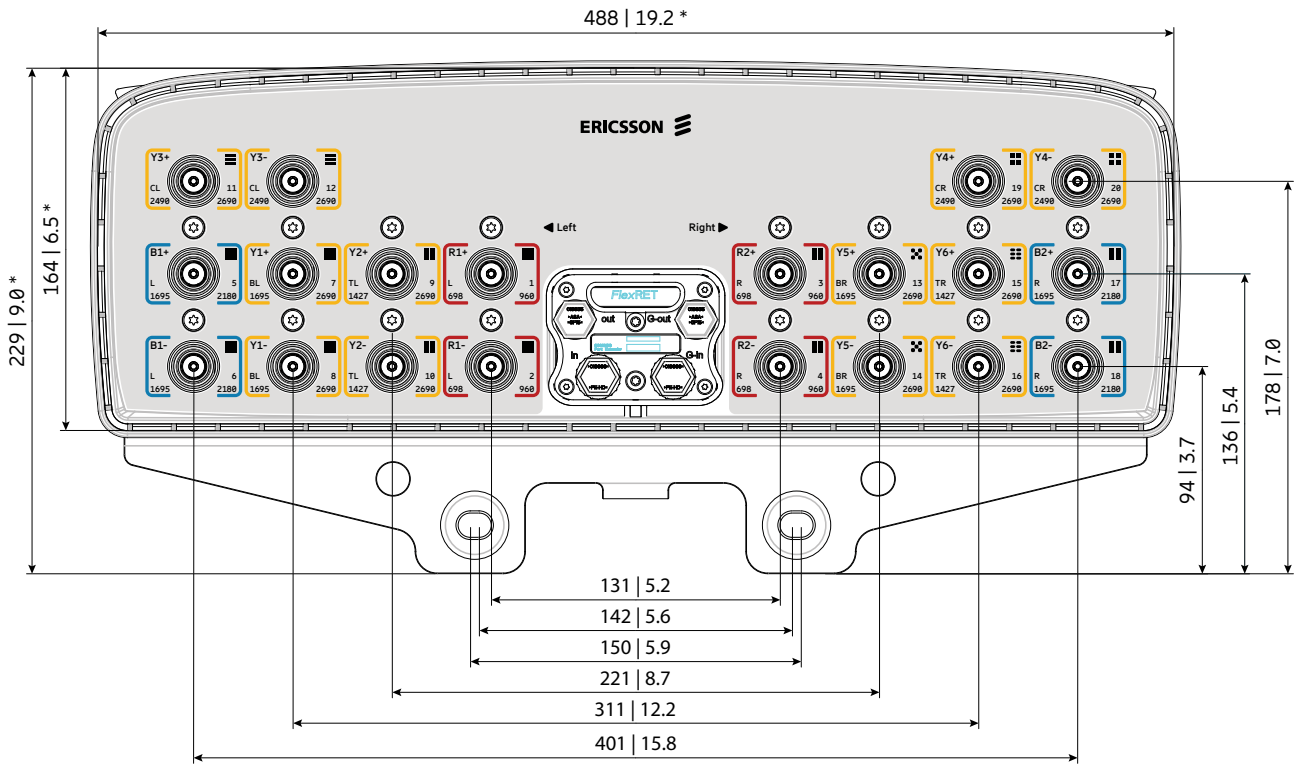


1) 79 | 3.1  
2) 22 | 0.9  
3) 142 | 5.6  
4) 150 | 5.9  
5)  $\varnothing$  11 | 0.4

All dimensions  
in mm | inches



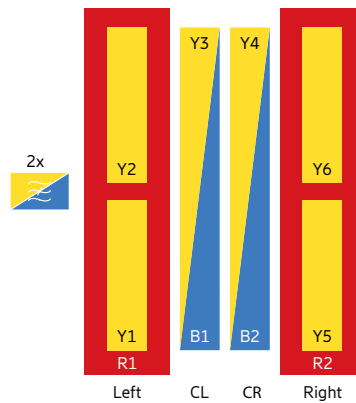
### Layout of interface



Bottom view  
 \* Dimensions refer to radome  
 All dimensions in mm | inches

### Correlation Table

| Frequency range | Array | Connector / Ports |
|-----------------|-------|-------------------|
| 698–960 MHz     | R1    | 1–2               |
| 698–960 MHz     | R2    | 3–4               |
| 1695–2690 MHz   | Y1    | 7–8               |
| 1427–2690 MHz   | Y2    | 9–10              |
| 1695–2180 MHz   | B1    | 5–6               |
| 1695–2180 MHz   | B2    | 17–18             |
| 2490–2690 MHz   | Y3    | 11–12             |
| 2490–2690 MHz   | Y4    | 19–20             |
| 1695–2690 MHz   | Y5    | 13–14             |
| 1427–2690 MHz   | Y6    | 15–16             |



# Multi-Band Configuration

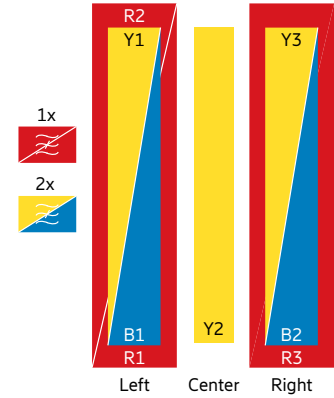
## 3LB nMB

Capacity

Compact

Coverage

| Product Name<br>Product No.          | Frequency MHz | HPBW ° | Gain dBi | Tilt ° | Connector type | Page                | 3C |
|--------------------------------------|---------------|--------|----------|--------|----------------|---------------------|----|
| 3x Lowband   5x Midband              |               |        |          |        |                |                     |    |
| Antenna 4500 3L 5M 2.0m<br>800442001 | 1x 698–862    | 65     | 15.1     | 2–12   | 4.3-10         | <a href="#">383</a> |    |
|                                      | 1x 880–960    | 65     | 15.4     | 2–12   |                |                     |    |
|                                      | 1x 698–960    | 65     | 15.5     | 2–12   |                |                     |    |
|                                      | 2x 1427–2170  | 65     | 17.1     | 2.5–12 |                |                     |    |
|                                      | 2x 2500–2690  | 65     | 17.0     | 2.5–12 |                |                     |    |
|                                      | 1x 1710–2690  | 65     | 18.8     | 2.5–12 |                |                     |    |



# Antenna 4500 3L 5M 2.0m

## 800442001

3LB nMB

Capacity

Compact

Coverage

65° | 1x 698–862 MHz | 15.1 dBi  
 65° | 1x 880–960 MHz | 15.4 dBi  
 65° | 1x 698–960 MHz | 15.5 dBi  
 65° | 2x 1427–2170 MHz | 17.1 dBi  
 65° | 2x 2500–2690 MHz | 17.0 dBi  
 65° | 1x 1710–2690 MHz | 18.8 dBi  
 FlexRET



[ericsson.com/antenna-system](https://ericsson.com/antenna-system)



Scan or [click](#)

| Left side, lowbands                                |     | R1, connector 1–2  |            | R2, connector 3–4   |
|--|-----|--|------------|---|
| Frequency Range                                    | MHz | 698 – 806  | 790 – 862  | 880 – 960   |
| Gain at mid Tilt                                   | dBi | 14.4   | 15.1       | 15.5  |
| Gain over all Tilts                                | dBi | 14.4 ± 0.5   | 15.1 ± 0.6 | 15.4 ± 0.4  |
| <b>Horizontal Pattern:</b>                         |     |  |            |   |
| Azimuth Beamwidth                                  | °   | 66 ± 6.3   | 62 ± 4.4   | 62 ± 5.4  |
| Front-to-Back Ratio, Total Power, ± 30°            | dB  | > 20   | > 20       | > 23  |
| <b>Vertical Pattern:</b>                           |     |  |            |   |
| Elevation Beamwidth                                | °   | 11.5 ± 0.9   | 10.8 ± 0.6 | 9.9 ± 0.4   |
| Electrical Downtilt continuously adjustable        | °   | 2.0 – 12.0   |            | 2.0 – 12.0  |
| Tilt Accuracy                                      | °   | < 0.5  | < 0.6      | < 0.4   |
| First Upper Side Lobe Suppression                  | dB  | > 15   | > 16       | > 15  |
| Cross Polar Isolation                              | dB  | > 25   |            | > 25  |
| Port to Port Isolation                             | dB  | > 25 (R1 // R2, R3) typically<br>> 26, typically 30 (R1 // Y1, Y2, Y3, B1, B2) |            | > 25 (R2 // R1, R3) typically<br>> 26, typically 30<br>(R2 // Y1, Y2, Y3, B1, B2) |
| Max. Effective Power per Port                      | W   | 200 (at 50 °C ambient temperature)   |            | 200<br>(at 50 °C ambient temperature)   |
| Max. Effective Power for Group of Ports 1+3 // 2+4 | W   | 400 (at 50 °C ambient temperature)   |            |   |

Values based on NGMN-P-BASTA (version 10.0) requirements.

| Right side, lowband                         |     | R3, connector 5–6  |            |            |
|---|-----|--|------------|------------|
| Frequency Range                             | MHz | 698 – 806  | 790 – 862  | 880 – 960  |
| Gain at mid Tilt                            | dBi | 14.5   | 15.3       | 15.6       |
| Gain over all Tilts                         | dBi | 14.5 ± 0.5   | 15.2 ± 0.6 | 15.5 ± 0.5 |
| <b>Horizontal Pattern:</b>                  |     |  |            |            |
| Azimuth Beamwidth                           | °   | 66 ± 4.5   | 63 ± 4.8   | 61 ± 4.8   |
| Front-to-Back Ratio, Total Power, ± 30°     | dB  | > 20   | > 20       | > 20       |
| <b>Vertical Pattern:</b>                    |     |  |            |            |
| Elevation Beamwidth                         | °   | 11.4 ± 0.9   | 10.8 ± 0.6 | 9.9 ± 0.6  |
| Electrical Downtilt continuously adjustable | °   | 2.0 – 12.0   |            |            |
| Tilt Accuracy                               | °   | < 0.5  | < 0.6      | < 0.6      |
| First Upper Side Lobe Suppression           | dB  | > 17   | > 18       | > 17       |
| Cross Polar Isolation                       | dB  | > 25   |            |            |
| Port to Port Isolation                      | dB  | > 25 (R3 // R1, R2) typically<br>> 26, typically 30 (R3 // Y1, Y2, Y3, B1, B2) |            |            |
| Max. Effective Power per Port               | W   | 200 (at 50 °C ambient temperature)   |            |            |

Values based on NGMN-P-BASTA (version 10.0) requirements.

| Left side, midbands                                    |     | B1, connector 7–8                                     |             |             | Y1, connector 11–12                                   |
|--|-----|---|-------------|-------------|---|
| Frequency Range  | MHz | 1427 – 1518   | 1710 – 1880 | 1920 – 2170 | 2500 – 2690   |
| Gain at mid Tilt                                       | dBi | 15.6  | 17.0        | 17.3        | 17.2  |
| Gain over all Tilts                                    | dBi | 15.5 ± 0.6  | 16.9 ± 0.6  | 17.1 ± 0.7  | 17.0 ± 0.7  |
| <b>Horizontal Pattern:</b>                             |     |   |             |             |   |
| Azimuth Beamwidth                                      | °   | 69 ± 3.5  | 63 ± 5.1    | 63 ± 4.8    | 57 ± 2.6  |
| Front-to-Back Ratio, Total Power, ± 30°                | dB  | > 20  | > 26        | > 25        | > 27  |
| <b>Vertical Pattern:</b>                               |     |   |             |             |   |
| Elevation Beamwidth                                    | °   | 7.7 ± 0.4   | 6.4 ± 0.3   | 5.8 ± 0.4   | 4.8 ± 0.4   |
| Electrical Downtilt continuously adjustable            | °   | 2.5 – 12.0  |             |             | 2.5 – 12.0  |
| Tilt Accuracy  | °   | < 0.5   | < 0.4       | < 0.3       | < 0.4   |
| First Upper Side Lobe Suppression                      | dB  | > 17  | > 17        | > 18        | > 15  |
| Cross Polar Isolation                                  | dB  | > 26  |             |             | > 26  |
| Port to Port Isolation                                 | dB  | > 26, typically 30 (B1 // R1, R2, R3, B2, Y1, Y2, Y3) |             |             | > 26, typically 30 (Y1 // R1, R2, R3, B1, B2, Y2, Y3) |
| Max. Effective Power per Port                          | W   | 150 (at 50 °C ambient temperature)                    |             |             | 150 (at 50 °C ambient temperature)                    |
| Max. Effective Power for Group of Ports 7+ 11 // 8+ 12 | W   | 180 (at 50 °C ambient temperature)                    |             |             |   |

Values based on NGMN-P-BASTA (version 10.0) requirements.

| Right side, midbands                                    |     | B2, connector 9–10                                    |             |             | Y3, connector 15–16                                   |
|---|-----|---|-------------|-------------|---|
| Frequency Range   | MHz | 1427 – 1518   | 1710 – 1880 | 1920 – 2170 | 2500 – 2690   |
| Gain at mid Tilt  | dBi | 15.6  | 16.9        | 17.2        | 17.2  |
| Gain over all Tilts                                     | dBi | 15.5 ± 0.7  | 16.8 ± 0.6  | 17.1 ± 0.7  | 17 ± 0.7  |
| <b>Horizontal Pattern:</b>                              |     |   |             |             |   |
| Azimuth Beamwidth                                       | °   | 68 ± 4.7  | 63 ± 5.7    | 63 ± 5.5    | 56 ± 3.9  |
| Front-to-Back Ratio, Total Power, ± 30°                 | dB  | > 22  | > 26        | > 25        | > 27  |
| <b>Vertical Pattern:</b>                                |     |   |             |             |   |
| Elevation Beamwidth                                     | °   | 7.8 ± 0.6   | 6.4 ± 0.3   | 5.8 ± 0.4   | 4.9 ± 0.4   |
| Electrical Downtilt continuously adjustable             | °   | 2.5 – 12.0  |             |             | 2.5 – 12.0  |
| Tilt Accuracy   | °   | < 0.5   | < 0.4       | < 0.3       | < 0.4   |
| First Upper Side Lobe Suppression                       | dB  | > 18  | > 16        | > 17        | > 16  |
| Cross Polar Isolation                                   | dB  | > 26  |             |             | > 26  |
| Port to Port Isolation                                  | dB  | > 26, typically 30 (B2 // R1, R2, R3, B1, Y1, Y2, Y3) |             |             | > 26, typically 30 (Y3 // R1, R2, R3, B1, B2, Y1, Y2) |
| Max. Effective Power per Port                           | W   | 150 (at 50 °C ambient temperature)                    |             |             | 150 (at 50 °C ambient temperature)                    |
| Max. Effective Power for Group of Ports 9+ 15 // 10+ 16 | W   | 180 (at 50 °C ambient temperature)                    |             |             |   |

Values based on NGMN-P-BASTA (version 10.0) requirements.

| Center, midband                             |     | Y2, connector 13 – 14                   |             |             |
|---|-----|---|-------------|-------------|
| Frequency Range                             | MHz | 1710 – 1880                             | 1920 – 2170 | 2500 – 2690 |
| Gain at mid Tilt                            | dBi | 17.6                                    | 18.3        | 19          |
| Gain over all Tilts                         | dBi | 17.5 ± 0.5                              | 18.2 ± 0.8  | 18.8 ± 0.8  |
| <b>Horizontal Pattern:</b>                  |     |   |             |             |
| Azimuth Beamwidth                           | °   | 58 ± 6.1                                | 58 ± 3.2    | 61 ± 2.2    |
| Front-to-Back Ratio, Total Power, ± 30°     | dB  | > 25                                    | > 27        | > 30        |
| <b>Vertical Pattern:</b>                    |     |   |             |             |
| Elevation Beamwidth                         | °   | 6.9 ± 0.4                               | 6.4 ± 0.5   | 5.1 ± 0.3   |
| Electrical Downtilt continuously adjustable | °   | 2.5 – 12.0                              |             |             |
| Tilt Accuracy                               | °   | < 0.6                                   | < 0.6       | < 0.5       |
| First Upper Side Lobe Suppression           | dB  | > 15                                    | > 16        | > 17        |
| Cross Polar Isolation                       | dB  | > 26                                    |             |             |
| Port to Port Isolation                      | dB  | > 26 (Y2 // R1, R2, R3, B1, B2, Y1, Y3) |             |             |
| Max. Effective Power per Port               | W   | 150 (at 50 °C ambient temperature)      |             |             |

Values based on NGMN-P-BASTA (version 10.0) requirements.

## Electrical specifications, all ports

|                                      |          |                                     |
|--------------------------------------|----------|-------------------------------------|
| Impedance                            | $\Omega$ | 50                                  |
| VSWR                                 |          | < 1.5                               |
| Return Loss                          | dB       | > 14                                |
| Interband Isolation                  | dB       | > 25                                |
| Passive Intermodulation              | dBc      | < -153 (2 x 43 dBm carrier)*        |
| Polarization                         | °        | +45, -45                            |
| Max. Effective Power for the Antenna | W        | 1200 (at 50 °C ambient temperature) |

Values based on NGMN-P-BASTA (version 10.0) requirements.

\* not applicable for L-band

## Mechanical specifications

|   |   |  |
|---|---|--|
| Input                                     | 16 x 4.3-10 female  |  |
| Connector Position                        | bottom  |  |
| Adjustment Mechanism                      | FlexRET,<br>continuously adjustable                               |  |
| Wind load (at Rated Wind Speed: 150 km/h) | N   lbf   | Frontal: 690   155<br>Maximal: 925   208                 |
| Max. Wind Velocity                        | km/h<br>mph   | 241<br>150   |
| Height / Width / Depth                    | mm<br>inches  | 1944 / 448 / 164<br>76.5 / 17.6 / 6.5                    |
| Category of Mounting Hardware             | XM (X-Medium)   |  |
| Weight                                    | kg<br>lb  | 47 / 51.5 (clamps incl.)<br>108.0 / 116.9 (clamps incl.) |
| Packing Size                              | mm<br>inches  | 2095 / 510 / 293<br>82.5 / 20.1 / 11.5                   |
| Scope of Supply                           | Panel, FlexRET and clamps for 55–115 mm   2.2–4.5 inches diameter |  |

## Accessories (order separately if required)

| Product No.   | Description          | Remarks<br>mm   inches  | Units per antenna |
|---------------|----------------------|---|-------------------|
| 85010097      | 2 clamps             | Mast diameter: 110–220   4.3–8.7                                  | 1                 |
| 85010110      | 1 downtilt kit       | Downtilt angle: 0°–10°  | 1                 |
| 86010154      | Site Sharing Adapter | 3-way (see figure below)  |                   |
| 86010155      | Site Sharing Adapter | 6-way (see figure below)  |                   |
| 86010162      | Gender Adapter       | Solely to be used in combination with a compatible FlexRET module | 1                 |
| KRY 121 108/1 | Port Extender        |   | 1                 |

## Accessories (included in the scope of supply)

| Product No. | Description | Remarks<br>mm   inches                      | Units per antenna |
|-------------|-------------|---|-------------------|
| 85010111    | 2 clamps    | Mast diameter: 55–115   2.2–4.5             | 1                 |
| 86010165    | FlexRET     | Compliant to 3GPP / AISG 2.0 – AISG 3 ready | 1                 |

For downtilt mounting use the clamps for an appropriate mast diameter together with the downtilt kit.  
Wall mounting: No additional mounting kit needed.

## Material:

**Reflector screen:** Aluminum.

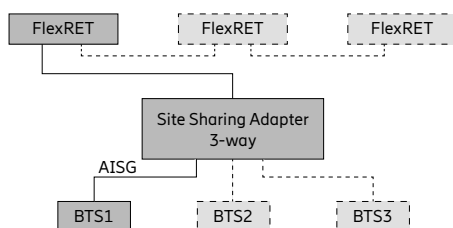
**Fiberglass housing:** It covers totally the internal antenna components. The special design reduces the sealing areas to a minimum and guarantees the best weather protection. Fiberglass material guarantees optimum performance with regards to stability, stiffness, UV resistance and painting. The color of the radome is light grey.

**All nuts and bolts:** Stainless steel or hot-dip galvanized steel.

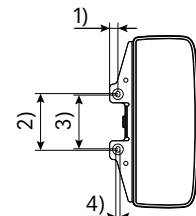
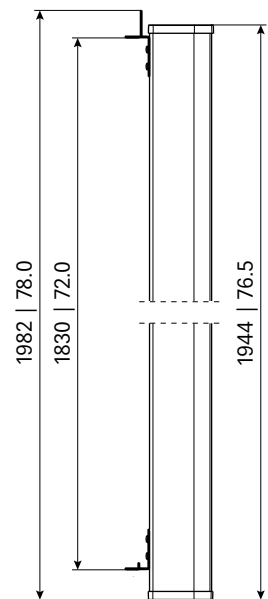
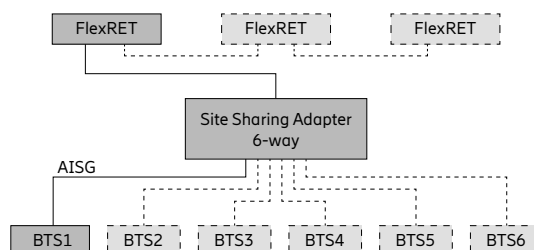
## Grounding:

The metal parts of the antenna including the mounting kit and the inner conductors are DC grounded.

## Configuration example with Site Sharing Adapter 86010154



## Configuration example with Site Sharing Adapter 86010155

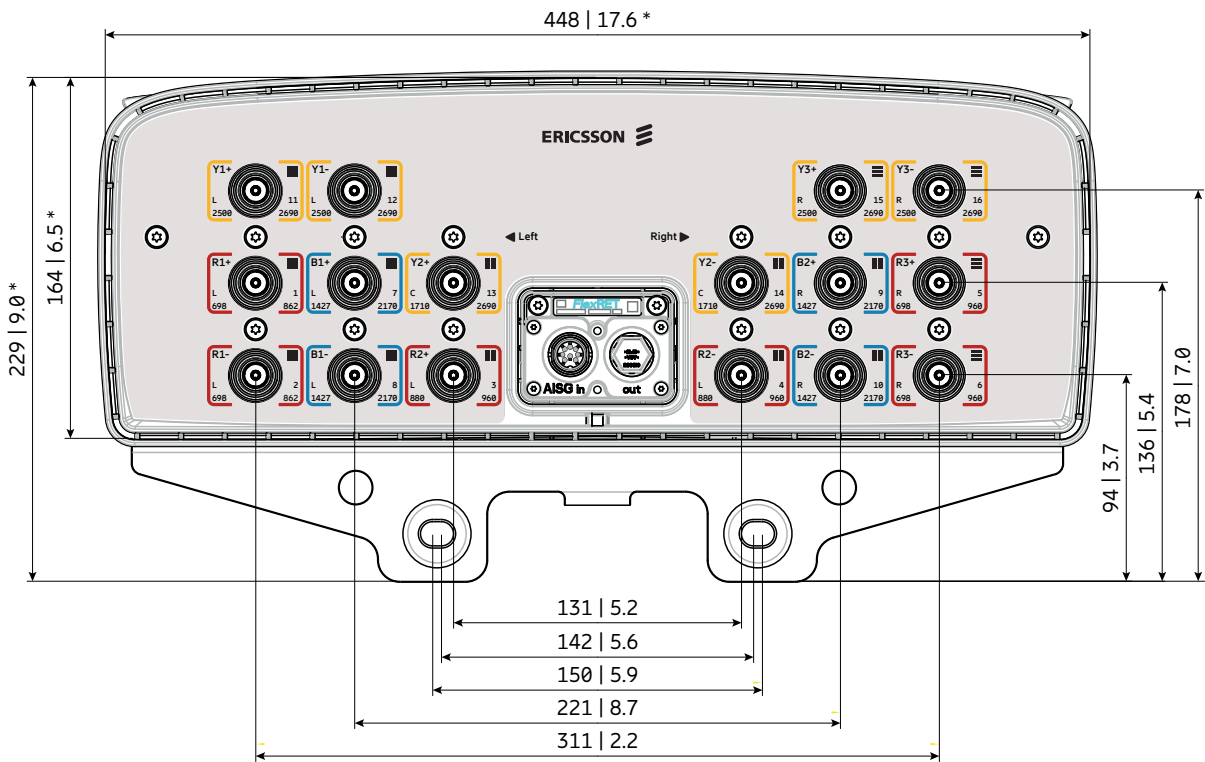


- 1) 22 | 0.9  
2) 150 | 5.9  
3) 142 | 5.6  
4) 11 | 0.4

All dimensions in mm | inches

For more information please refer to the respective data sheets.

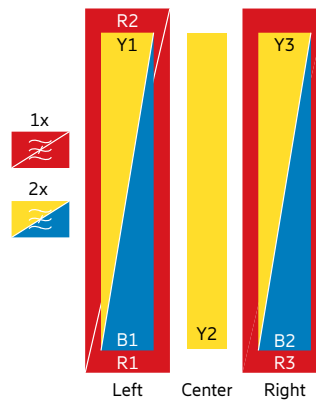
### Layout of interface



Bottom view  
\* Dimensions refer to radome  
All dimensions in mm | inches

### Correlation Table

| Frequency range | Array | Connector / Ports |
|-----------------|-------|-------------------|
| 698–862 MHz     | R1    | 1–2               |
| 880–960 MHz     | R2    | 3–4               |
| 698–960 MHz     | R3    | 5–6               |
| 1427–2170 MHz   | B1    | 7–8               |
| 1427–2170 MHz   | B2    | 9–10              |
| 2500–2690 MHz   | Y1    | 11–12             |
| 1710–2690 MHz   | Y2    | 13–14             |
| 2500–2690 MHz   | Y3    | 15–16             |





# TDD Configuration nMB

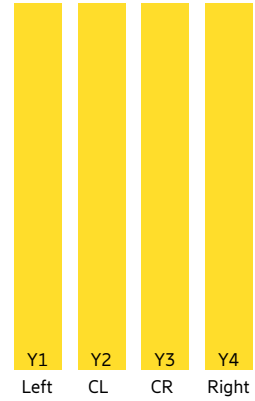
Capacity

Compact

Coverage

| Product Name<br>Product No.                               | Frequency MHz | HPBW ° | Gain dBi | Tilt ° | Connector type | Page                | 3C |
|---|---------------|--------|----------|--------|----------------|---------------------|----|
| 4x Midband  |               |        |          |        |                |                     |    |
| Antenna 2600 0L 4M 1.5m<br>845350910                      | 4x 2300–2690  | 90     | 16.5     | 2–12   | 4.3-10         | <a href="#">390</a> |    |
| Antenna 2602 0L 4M 0.9m<br>KRE 101 2475/1                 | 4x 3300–3800  | 90     | 15.7     | 2–12   | 4.3-10         | <a href="#">395</a> |    |
| <a href="#">Antenna 2603 0L 4M 0.9m</a><br>KRE 101 2531/1 | 4x 3300–3800  | 90     | 15.5     | 2–12   | MQ4/MQ5 socket | <a href="#">401</a> |    |

[New product](#)



# Antenna 2600 0L 4M 1.5m

845350910

Capacity

Compact

Coverage

90° | 4x 2300–2690 MHz | 16.5 dBi  
Electrical downtilt set by integrated RET



[ericsson.com/antenna-system](https://ericsson.com/antenna-system)



Scan or [click](#)

TDD nMB

| Left side, midband                          |     | Y1, connector 1–2                 |             |
|---|-----|-----------------------------------|-------------|
| Frequency Range                             | MHz | 2300 – 2500                       | 2490 – 2690 |
| Gain at mid Tilt                            | dBi | 16.2                              | 16.7        |
| Gain over all Tilts                         | dBi | 16.2 ± 0.6                        | 16.7 ± 0.7  |
| <b>Horizontal Pattern:</b>                  |     |                                   |             |
| Azimuth Beamwidth                           | °   | 79 ± 5.3                          | 75 ± 5.0    |
| Front-to-Back Ratio, Total Power, ± 30°     | dB  | > 25                              | > 26        |
| <b>Vertical Pattern:</b>                    |     |                                   |             |
| Elevation Beamwidth                         | °   | 6.3 ± 0.4                         | 5.9 ± 0.3   |
| Electrical Downtilt continuously adjustable | °   | 2.0 – 12.0                        |             |
| Tilt Accuracy                               | °   | < 0.5                             | < 0.4       |
| First Upper Side Lobe Suppression           | dB  | > 20                              | > 20        |
| Cross Polar Isolation                       | dB  | > 25                              |             |
| Port to Port Isolation                      | dB  | > 25 (Y1 // Y2, Y3, Y4)           |             |
| Max. Effective Power per Port               | W   | 40 (at 50 °C ambient temperature) |             |

Values based on NGMN-P-BASTA (version 10.0) requirements.

| Center left side, midband                   |     | Y2, connector 3–4                 |             |
|---|-----|-----------------------------------|-------------|
| Frequency Range                             | MHz | 2300 – 2500                       | 2490 – 2690 |
| Gain at mid Tilt                            | dBi | 16.1                              | 16.7        |
| Gain over all Tilts                         | dBi | 16.1 ± 0.7                        | 16.6 ± 0.6  |
| <b>Horizontal Pattern:</b>                  |     |                                   |             |
| Azimuth Beamwidth                           | °   | 86 ± 9.3                          | 81 ± 4.1    |
| Front-to-Back Ratio, Total Power, ± 30°     | dB  | > 26                              | > 28        |
| <b>Vertical Pattern:</b>                    |     |                                   |             |
| Elevation Beamwidth                         | °   | 6.3 ± 0.3                         | 5.9 ± 0.4   |
| Electrical Downtilt continuously adjustable | °   | 2.0 – 12.0                        |             |
| Tilt Accuracy                               | °   | < 0.7                             | < 0.6       |
| First Upper Side Lobe Suppression           | dB  | > 17                              | > 17        |
| Cross Polar Isolation                       | dB  | > 25                              |             |
| Port to Port Isolation                      | dB  | > 25 (Y2 // Y1, Y3, Y4)           |             |
| Max. Effective Power per Port               | W   | 40 (at 50 °C ambient temperature) |             |

Values based on NGMN-P-BASTA (version 10.0) requirements.

| Center right side, midband                  |     | Y3, connector 5–6                 |             |
|---|-----|-----------------------------------|-------------|
| Frequency Range                             | MHz | 2300 – 2500                       | 2490 – 2690 |
| Gain at mid Tilt                            | dBi | 16.0                              | 16.5        |
| Gain over all Tilts                         | dBi | 16.0 ± 0.7                        | 16.5 ± 0.5  |
| <b>Horizontal Pattern:</b>                  |     |                                   |             |
| Azimuth Beamwidth                           | °   | 88 ± 8.7                          | 83 ± 3.5    |
| Front-to-Back Ratio, Total Power, ± 30°     | dB  | > 25                              | > 28        |
| <b>Vertical Pattern:</b>                    |     |                                   |             |
| Elevation Beamwidth                         | °   | 6.4 ± 0.3                         | 5.9 ± 0.3   |
| Electrical Downtilt continuously adjustable | °   | 2.0 – 12.0                        |             |
| Tilt Accuracy                               | °   | < 0.5                             | < 0.4       |
| First Upper Side Lobe Suppression           | dB  | > 18                              | > 18        |
| Cross Polar Isolation                       | dB  | > 25                              |             |
| Port to Port Isolation                      | dB  | > 25 (Y3 // Y1, Y2, Y4)           |             |
| Max. Effective Power per Port               | W   | 40 (at 50 °C ambient temperature) |             |

Values based on NGMN-P-BASTA (version 10.0) requirements.

| Right side, midband                         |     | Y4, connector 7–8                 |             |
|---|-----|-----------------------------------|-------------|
| Frequency Range                             | MHz | 2300 – 2500                       | 2490 – 2690 |
| Gain at mid Tilt                            | dBi | 16.2                              | 16.7        |
| Gain over all Tilts                         | dBi | 16.2 ± 0.7                        | 16.7 ± 0.7  |
| <b>Horizontal Pattern:</b>                  |     |                                   |             |
| Azimuth Beamwidth                           | °   | 79 ± 5.5                          | 75 ± 5.1    |
| Front-to-Back Ratio, Total Power, ± 30°     | dB  | > 25                              | > 27        |
| <b>Vertical Pattern:</b>                    |     |                                   |             |
| Elevation Beamwidth                         | °   | 6.3 ± 0.4                         | 5.9 ± 0.3   |
| Electrical Downtilt continuously adjustable | °   | 2.0 – 12.0                        |             |
| Tilt Accuracy                               | °   | < 0.4                             | < 0.5       |
| First Upper Side Lobe Suppression           | dB  | > 20                              | > 18        |
| Cross Polar Isolation                       | dB  | > 25                              |             |
| Port to Port Isolation                      | dB  | > 25 (Y4 // Y1, Y2, Y3)           |             |
| Max. Effective Power per Port               | W   | 40 (at 50 °C ambient temperature) |             |

Values based on NGMN-P-BASTA (version 10.0) requirements.

| Broadcast Beam at mid Tilt                  |     |                   |                     |
|---|-----|-------------------|---------------------|
| Frequency Range                             | MHz | 2300 – 2500       | 2490 – 2690         |
| Azimuth 3dB Beamwidth                       | °   | 65 ± 9            | 65 ± 6              |
| Gain  | dB  | 15.5              | 16.0                |
| Gain roll-off at Sector Edge                | dB  | 12                | 16                  |
| Cross Polar Ratio (0°)                      | dB  | > 18              | > 18                |
| Front-to-back Ratio                         | dB  | > 28              | > 28                |
| Service Beam at mid Tilt                    |     |                   |                     |
| 0° Direct Beam Gain                         | dB  | 21.5              | 22                  |
| 0° Direction Beam Horizontal 3dB Beam Width | °   | 23                | 22                  |
| 0° Direction Beam Horizontal SLS            | dB  | > 12              | > 12                |
| 0° Direction Beam Cross polar Ratio         | dB  | > 22              | > 22                |
| 0° Direction Beam Front-to-Back Ratio       | dB  | > 28              | > 28                |
| Multi Beam at mid Tilt                      |     |                   |                     |
| Horizontal 3dB Beam Width                   | °   | 27                | 25                  |
| Gain  | dB  | 21 (@ +30°, -30°) | 21.4 (@ +30°, -30°) |

### Calibration and electrical parameters

|  |    |         |
|--|----|---------|
| Coupling factor between calibration port and each antenna port | dB | -26 ± 2 |
| Max. amplitude tolerance from calibration port to input ports  | dB | ± 0.8   |
| Max. phase tolerance from calibration port to inports          | °  | ±7      |

### Electrical specifications, all ports

|                                      |     |   |
|--------------------------------------|-----|---|
| Impedance                            | Ω   | 50  |
| VSWR                                 |     | < 1.5                                     |
| Return Loss                          | dB  | > 14                                      |
| Interband Isolation                  | dB  | > 23                                      |
| Passive Intermodulation              | dBc | < -120 (2x 43 dBm carrier)<br>typ. < -140 |
| Polarization                         | °   | +45, -45                                  |
| Max. Effective Power for the Antenna | W   | 320 (at 50 °C ambient temperature)        |

### Power rating at installation scenario

|  |   |    |
|--|---|----|
| Max. allowed output power per port TDD radio to antenna* | W | 50 |
|--|---|----|

Values based on NGMN-P-BASTA (version 10.0) requirements.  
\* For TDD radio configured with DL ratio 75,7 % (DDDSU) TDD pattern. Connection via jumper cables > 0.3 dB IL

### Mechanical specifications

|   |   |  |
|---|---|--|
| Input                                     | 8x 4.3-10 female  |  |
| CAL                                       | 1x 4.3-10 female  |  |
| Connector Position                        | bottom  |  |
| Adjustment Mechanism                      | Integrated RET, continuously adjustable                             |  |
| Wind load (at Rated Wind Speed: 150 km/h) | N   lbf   | Frontal: 625   141<br>Maximal: 625   141                 |
| Max. Wind Velocity                        | km/h<br>mph   | 241<br>150   |
| Height / Width / Depth                    | mm<br>inches  | 1472 / 353 / 164<br>58.0 / 13.9 / 6.5                    |
| Category of Mounting Hardware             | H (Heavy)   |  |
| Weight                                    | kg<br>lb  | 21.0 / 23.2 (clamps incl.)<br>46.3 / 51.1 (clamps incl.) |
| Packing Size                              | mm<br>inches  | 1685 / 377 / 210<br>66.3 / 14.8 / 8.3                    |
| Scope of Supply                           | Panel and 2 units of clamps for 42–115 mm   1.7–4.5 inches diameter |  |





# Antenna 2602 0L 4M 0.9m

KRE 101 2475/1

- Capacity
- Compact
- Coverage

90° | 4x 3300–3800 MHz | 15.7 dBi  
Integrated RET



[ericsson.com/antenna-system](https://ericsson.com/antenna-system)



Scan or [click](#)

| Left side, midband                                      |     | P1, connector 1–2                 |             |             |
|---|-----|-----------------------------------|-------------|-------------|
| Frequency Range   | MHz | 3300 – 3400                       | 3400 – 3600 | 3600 – 3800 |
| Gain at mid Tilt  | dBi | 15.2                              | 15.4        | 15.4        |
| Gain over all Tilts                                     | dBi | 15.1 ± 0.6                        | 15.2 ± 0.6  | 15.2 ± 0.8  |
| <b>Horizontal Pattern:</b>                              |     |                                   |             |             |
| Azimuth Beamwidth                                       | °   | 97 ± 5.0                          | 94 ± 4.7    | 90 ± 9.6    |
| Front-to-Back Ratio, Total Power, ± 30°                 | dB  | > 17                              | > 17        | > 16        |
| <b>Vertical Pattern:</b>                                |     |                                   |             |             |
| Elevation Beamwidth                                     | °   | 6.1 ± 0.3                         | 5.9 ± 0.4   | 5.6 ± 0.4   |
| Electrical Downtilt continuously adjustable             | °   | 2.0 – 12.0                        |             |             |
| Tilt Accuracy   | °   | < 0.3                             | < 0.4       | < 0.5       |
| First Upper Side Lobe Suppression                       | dB  | > 13                              | > 13        | > 11        |
| Upper Side Lobe Suppression, 20° Sector above Main Beam | dB  | > 13                              | > 12        | > 11        |
| Cross Polar Isolation                                   | dB  | > 23                              |             |             |
| Port to Port Isolation                                  | dB  | > 28 (P1 // P2, P3, P4)           |             |             |
| Max. Effective Power per Port                           | W   | 40 (at 50 °C ambient temperature) |             |             |
| Max. Effective Power Ports P1                           | W   | 80 (at 50 °C ambient temperature) |             |             |

Values based on NGMN-P-BASTA (version 10.0) requirements.

| Center left side, midband                               |     | P2, connector 3–4                 |             |             |
|---|-----|-----------------------------------|-------------|-------------|
| Frequency Range   | MHz | 3300 – 3400                       | 3400 – 3600 | 3600 – 3800 |
| Gain at mid Tilt  | dBi | 14.9                              | 15.3        | 15.6        |
| Gain over all Tilts                                     | dBi | 14.8 ± 0.5                        | 15.1 ± 0.6  | 15.4 ± 0.8  |
| <b>Horizontal Pattern:</b>                              |     |                                   |             |             |
| Azimuth Beamwidth                                       | °   | 102 ± 4.0                         | 95 ± 5.6    | 85 ± 12.3   |
| Front-to-Back Ratio, Total Power, ± 30°                 | dB  | > 19                              | > 21        | > 20        |
| <b>Vertical Pattern:</b>                                |     |                                   |             |             |
| Elevation Beamwidth                                     | °   | 6.1 ± 0.3                         | 6.0 ± 0.3   | 5.6 ± 0.4   |
| Electrical Downtilt continuously adjustable             | °   | 2.0 – 12.0                        |             |             |
| Tilt Accuracy   | °   | < 0.4                             | < 0.5       | < 0.5       |
| First Upper Side Lobe Suppression                       | dB  | > 13                              | > 13        | > 12        |
| Upper Side Lobe Suppression, 20° Sector above Main Beam | dB  | > 13                              | > 12        | > 12        |
| Cross Polar Isolation                                   | dB  | > 23                              |             |             |
| Port to Port Isolation                                  | dB  | > 28 (P2 // P1, P3, P4)           |             |             |
| Max. Effective Power per Port                           | W   | 40 (at 50 °C ambient temperature) |             |             |
| Max. Effective Power Ports P2                           | W   | 80 (at 50 °C ambient temperature) |             |             |

Values based on NGMN-P-BASTA (version 10.0) requirements.



| Center right side, midband                              |     | P3, connector 5–6                 |             |             |
|---|-----|-----------------------------------|-------------|-------------|
| Frequency Range   | MHz | 3300 – 3400                       | 3400 – 3600 | 3600 – 3800 |
| Gain at mid Tilt  | dBi | 14.9                              | 15.3        | 15.5        |
| Gain over all Tilts                                     | dBi | 14.8 ± 0.5                        | 15.0 ± 0.6  | 15.2 ± 0.8  |
| <b>Horizontal Pattern:</b>                              |     |                                   |             |             |
| Azimuth Beamwidth                                       | °   | 102 ± 4.8                         | 95 ± 6.3    | 88 ± 9.8    |
| Front-to-Back Ratio, Total Power, ± 30°                 | dB  | > 20                              | > 19        | > 19        |
| <b>Vertical Pattern:</b>                                |     |                                   |             |             |
| Elevation Beamwidth                                     | °   | 6.2 ± 0.3                         | 6.0 ± 0.4   | 5.7 ± 0.4   |
| Electrical Downtilt continuously adjustable             | °   | 2.0 – 12.0                        |             |             |
| Tilt Accuracy   | °   | < 0.3                             | < 0.4       | < 0.4       |
| First Upper Side Lobe Suppression                       | dB  | > 12                              | > 13        | > 11        |
| Upper Side Lobe Suppression, 20° Sector above Main Beam | dB  | > 12                              | > 12        | > 11        |
| Cross Polar Isolation                                   | dB  | > 23                              |             |             |
| Port to Port Isolation                                  | dB  | > 28 (P3 // P1, P2, P4)           |             |             |
| Max. Effective Power per Port                           | W   | 40 (at 50 °C ambient temperature) |             |             |
| Max. Effective Power Ports P3                           | W   | 80 (at 50 °C ambient temperature) |             |             |

Values based on NGMN-P-BASTA (version 10.0) requirements.

| Right side, midband                                     |     | P4, connector 7–8                 |             |             |
|---|-----|-----------------------------------|-------------|-------------|
| Frequency Range   | MHz | 3300 – 3400                       | 3400 – 3600 | 3600 – 3800 |
| Gain at mid Tilt  | dBi | 15.2                              | 15.3        | 15.3        |
| Gain over all Tilts                                     | dBi | 15.0 ± 0.5                        | 15.1 ± 0.6  | 15.0 ± 0.8  |
| <b>Horizontal Pattern:</b>                              |     |                                   |             |             |
| Azimuth Beamwidth                                       | °   | 96 ± 3.2                          | 94 ± 3.7    | 91 ± 13.5   |
| Front-to-Back Ratio, Total Power, ± 30°                 | dB  | > 17                              | > 16        | > 16        |
| <b>Vertical Pattern:</b>                                |     |                                   |             |             |
| Elevation Beamwidth                                     | °   | 6.1 ± 0.4                         | 5.9 ± 0.4   | 5.6 ± 0.5   |
| Electrical Downtilt continuously adjustable             | °   | 2.0 – 12.0                        |             |             |
| Tilt Accuracy   | °   | < 0.4                             | < 0.4       | < 0.5       |
| First Upper Side Lobe Suppression                       | dB  | > 11                              | > 11        | > 10        |
| Upper Side Lobe Suppression, 20° Sector above Main Beam | dB  | > 11                              | > 11        | > 10        |
| Cross Polar Isolation                                   | dB  | > 23                              |             |             |
| Port to Port Isolation                                  | dB  | > 28 (P4 // P1, P2, P3)           |             |             |
| Max. Effective Power per Port                           | W   | 40 (at 50 °C ambient temperature) |             |             |
| Max. Effective Power Ports P4                           | W   | 80 (at 50 °C ambient temperature) |             |             |

Values based on NGMN-P-BASTA (version 10.0) requirements.

**Broadcast Beam at mid Tilt**

| Frequency Range              | MHz | 3300 – 3400 | 3400 – 3600 | 3600 – 3800 |
|------------------------------|-----|-------------|-------------|-------------|
| Azimuth 3dB Beamwidth        | °   | 65          | 65          | 65          |
| Gain                         | dB  | 16.5        | 16.5        | 16.5        |
| Gain roll-off at Sector Edge | dB  | 8           | 8           | 8           |
| Cross Polar Ratio (0°)       | dB  | > 15        | > 12        | > 10        |
| Front-to-back Ratio          | dB  | > 21        | > 23        | > 25        |

**Service Beam at mid Tilt**

|   |    |      |      |      |
|---|----|------|------|------|
| 0° Direct Beam Gain                           | dB | 20.7 | 20.8 | 20.7 |
| 0° Direction Beam Horizontal 3dB Beam Width   | °  | 25.1 | 23.4 | 21.8 |
| 0° Direction Beam Horizontal SLS              | dB | > 14 | > 14 | > 14 |
| 0° Direction Beam Cross polar Ratio           | dB | > 15 | > 13 | > 11 |
| 0° Direction Beam Front-to-Back Ratio         | dB | > 23 | > 22 | > 23 |
| ±30° Direct Beam Gain                         | dB | 20.0 | 20.1 | 19.8 |
| ±30° Direction Beam Horizontal 3dB Beam Width | °  | 27.0 | 25.8 | 24.8 |
| ±30° Direction Beam Horizontal SLS            | dB | > 14 | > 10 | > 5  |
| 30° Direction Beam Cross polar Ratio          | dB | > 15 | > 15 | > 15 |
| ±30° Direction Beam Front-to-Back Ratio       | dB | > 22 | > 22 | > 21 |

**Multi Beam at mid Tilt**

|                                  |    |      |      |      |
|----------------------------------|----|------|------|------|
| Horizontal 3dB Beam Width        | °  | 32.7 | 32.0 | 31.5 |
| Gain                             | dB | 19.3 | 19.2 | 18.9 |
| 0° Direction Beam Horizontal SLS | dB | 9    | 7    | 5    |

**Calibration and electrical parameters**

|   |    |                                       |
|---|----|---------------------------------------|
| Coupling factor between each antenna column and cal network   | dB | -26 ± 1 (equal power on all)          |
| Max. amplitude tolerance from calibration port to input ports | dB | ± 0.5 (within ±45° or -45° Pol Ports) |
| Max. phase tolerance cal network                              | °  | ±10                                   |

**Electrical specifications, all ports**

|                                      |          |                                    |
|--------------------------------------|----------|------------------------------------|
| Impedance                            | $\Omega$ | 50                                 |
| VSWR                                 |          | < 1.5                              |
| Return Loss                          | dB       | > 14                               |
| Interband Isolation                  | dB       | > 23                               |
| Polarization                         | °        | +45, -45                           |
| Max. Effective Power for the Antenna | W        | 320 (at 50 °C ambient temperature) |

**Power rating at installation scenario**

|  |   |    |
|--|---|----|
| Max. allowed output power per port TDD radio to antenna* | W | 60 |
|--|---|----|

Values based on NGMN-P-BASTA (version 10.0) requirements.  
\* For TDD radio configured with DL ratio 66 % (DDDSUDDSUU) TDD pattern. Connection via jumper cables > 0.3 dB IL

**Mechanical specifications**

|   |   |  |
|---|---|--|
| Input                                     | 8x 4.3-10 female  |  |
| CAL                                       | 1x 4.3-10 female  |  |
| Connector Position                        | bottom  |  |
| Adjustment Mechanism                      | Integrated RET, continuously adjustable                             |  |
| Wind load (at Rated Wind Speed: 150 km/h) | N   lbf   | Frontal: 345   78<br>Maximal: 380   85                 |
| Max. Wind Velocity                        | km/h<br>mph   | 241<br>150   |
| Height / Width / Depth                    | mm<br>inches  | 921 / 275 / 103<br>36.3 / 10.8 / 4.1                   |
| Category of Mounting Hardware             | M (Medium)  |  |
| Weight                                    | kg<br>lb  | 7.0 / 9.2 (clamps incl.)<br>15.4 / 20.3 (clamps incl.) |
| Packing Size                              | mm<br>inches  | 1150 / 340 / 185<br>45.3 / 13.4 / 7.3                  |
| Scope of Supply                           | Panel and 2 units of clamps for 42–115 mm   1.7–4.5 inches diameter |  |

**Accessories (order separately if required)**

| Product No. | Description    | Remarks<br>mm   inches             | Units per antenna |
|-------------|----------------|------------------------------------|-------------------|
| 731651      | 1 clamp        | Mast diameter: 28–60   1.1–2.4     | 2                 |
| 85010002    | 1 clamp        | Mast diameter: 110 – 220   4.3–8.7 | 2                 |
| 85010003    | 1 clamp        | Mast diameter: 210–380   8.3–15.0  | 2                 |
| 737978      | 1 downtilt kit | Downtilt angle: 0°–20°             | 1                 |

**Accessories (included in the scope of supply)**

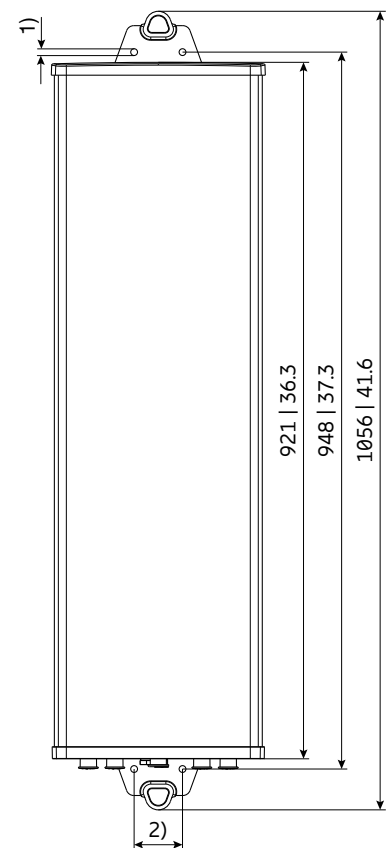
| Product No. | Description | Remarks<br>mm   inches          | Units per antenna |
|-------------|-------------|---------------------------------|-------------------|
| 738546      | 1 clamp     | Mast diameter: 42–115   1.7–4.5 | 2                 |
| 1690002182  | IRCU        |                                 | 1                 |

For downtilt mounting use the clamps for an appropriate mast diameter together with the downtilt kit.

Wall mounting: No additional mounting kit needed.

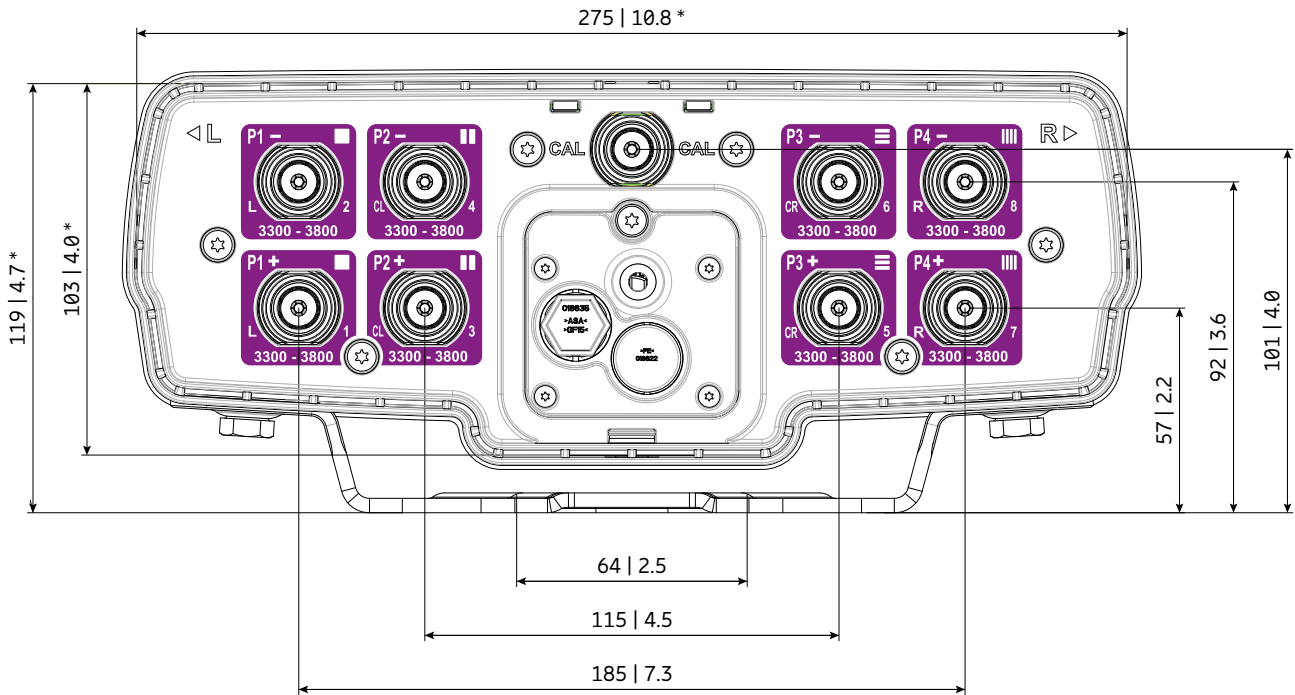
**Material:** **Reflector screen:** Aluminum.  
**Fiberglass housing:** It covers totally the internal antenna components. The special design reduces the sealing areas to a minimum and guarantees the best weather protection. Fiberglass material guarantees optimum performance with regards to stability, stiffness, UV resistance and painting. The color of the radome is light grey.

**Grounding:** The metal parts of the antenna including the mounting kit and the inner conductors are DC grounded.



All dimensions in mm | inches  
1)  $\varnothing$  9 | 0.4  
2) 64 | 2.5

## Layout of interface



Bottom view  
\* Dimensions refer to radome  
All dimensions in mm | inches

## Correlation Table

| Frequency range | Array | Connector / Ports |
|-----------------|-------|-------------------|
| 3300–3800 MHz   | P1    | 1–2               |
| 3300–3800 MHz   | P2    | 3–4               |
| 3300–3800 MHz   | P3    | 5–6               |
| 3300–3800 MHz   | P4    | 7–8               |

### Attention:

Risk of damage if the RF Ports are connected incorrectly.  
No RF power on CAL port allowed!





# Antenna 2603 0L 4M 0.9m

KRE 101 2531/1

**Capacity** Compact Coverage

90° | 4x 3300–3800 MHz | 15.5 dBi  
Integrated RET



[ericsson.com/antenna-system](https://ericsson.com/antenna-system)



Scan or [click](#)

TDD nMB

| Left side, midband                          |     | P1 (L), connector 1.1–2.1                     |             |             |
|---|-----|---|-------------|-------------|
| Frequency Range                             | MHz | 3300 – 3400                                   | 3400 – 3600 | 3600 – 3800 |
| Gain at mid Tilt                            | dBi | 14.9  | 15.2        | 15.2        |
| Gain over all Tilts                         | dBi | 14.9 ± 0.5                                    | 15.2 ± 0.5  | 15.2 ± 0.6  |
| <b>Horizontal Pattern:</b>                  |     |   |             |             |
| Azimuth Beamwidth                           | °   | 95 ± 5.6                                      | 86 ± 7.5    | 80 ± 7.6    |
| Front-to-Back Ratio, Total Power, ± 30°     | dB  | > 19  | > 19        | > 20        |
| Cross Polar Discrimination at Boresight     | dB  | > 22  | > 23        | > 23        |
| Azimuth Beam Squint                         | °   | 0 ± 3.2                                       | 2 ± 2.4     | 2 ± 2.4     |
| Azimuth Beam Port-to-Port Tracking          | dB  | 2.5   | 3.0         | 2.0         |
| <b>Vertical Pattern:</b>                    |     |   |             |             |
| Elevation Beamwidth                         | °   | 6.7 ± 0.3                                     | 6.4 ± 0.3   | 6.1 ± 0.3   |
| Electrical Downtilt continuously adjustable | °   | 2.0 – 12.0                                    |             |             |
| Tilt Accuracy                               | °   | < 0.5   | < 1.0       | < 1.1       |
| First Upper Sidelobe Suppression            | dB  | > 13  | > 12        | > 13        |
| Intra-Cluster Isolation                     | dB  | > 23  |             |             |
| Inter-Cluster Isolation                     | dB  | > 23 (P1 (L) // P1 (CL) // P1 (CR) // P1 (R)) |             |             |
| Max. Effective Power per Port               | W   | 40 (at 40 °C ambient temperature)             |             |             |

Values based on NGMN-P-BASTA (version 11.1) requirements.

| Center left side, midband                   |     | P1 (CL), connector 1.2–2.2                    |             |             |
|---|-----|---|-------------|-------------|
| Frequency Range                             | MHz | 3300 – 3400                                   | 3400 – 3600 | 3600 – 3800 |
| Gain at mid Tilt                            | dBi | 14.4  | 14.7        | 14.9        |
| Gain over all Tilts                         | dBi | 14.3 ± 0.4                                    | 14.6 ± 0.5  | 14.9 ± 0.6  |
| <b>Horizontal Pattern:</b>                  |     |   |             |             |
| Azimuth Beamwidth                           | °   | 109 ± 3.2                                     | 100 ± 7.1   | 92 ± 5.9    |
| Front-to-Back Ratio, Total Power, ± 30°     | dB  | > 21  | > 21        | > 20        |
| Cross Polar Discrimination at Boresight     | dB  | > 26  | > 24        | > 23        |
| Azimuth Beam Squint                         | °   | 0 ± 1.2                                       | 0 ± 2.0     | 0 ± 1.0     |
| Azimuth Beam Port-to-Port Tracking          | dB  | 1.5   | 2.0         | 1.5         |
| <b>Vertical Pattern:</b>                    |     |   |             |             |
| Elevation Beamwidth                         | °   | 6.7 ± 0.4                                     | 6.5 ± 0.5   | 6.2 ± 0.4   |
| Electrical Downtilt continuously adjustable | °   | 2.0 – 12.0                                    |             |             |
| Tilt Accuracy                               | °   | < 0.7   | < 1.0       | < 1.2       |
| First Upper Sidelobe Suppression            | dB  | > 13  | > 11        | > 12        |
| Intra-Cluster Isolation                     | dB  | > 23  |             |             |
| Inter-Cluster Isolation                     | dB  | > 23 (P1 (L) // P1 (CL) // P1 (CR) // P1 (R)) |             |             |
| Max. Effective Power per Port               | W   | 40 (at 40 °C ambient temperature)             |             |             |

Values based on NGMN-P-BASTA (version 11.1) requirements.

| Center right side, midband                  |     | P1 (CR), connector 1.3–2.3                    |             |             |
|---|-----|---|-------------|-------------|
| Frequency Range                             | MHz | 3300 – 3400                                   | 3400 – 3600 | 3600 – 3800 |
| Gain at mid Tilt                            | dBi | 14.3  | 14.7        | 14.9        |
| Gain over all Tilts                         | dBi | 14.3 ± 0.4                                    | 14.7 ± 0.4  | 14.8 ± 0.5  |
| <b>Horizontal Pattern:</b>                  |     |   |             |             |
| Azimuth Beamwidth                           | °   | 109 ± 5.5                                     | 99 ± 8.2    | 92 ± 5.7    |
| Front-to-Back Ratio, Total Power, ± 30°     | dB  | > 21  | > 22        | > 21        |
| Cross Polar Discrimination at Boresight     | dB  | > 25  | > 25        | > 24        |
| Azimuth Beam Squint                         | °   | 1 ± 2.0                                       | 0 ± 2.2     | -1 ± 1.5    |
| Azimuth Beam Port-to-Port Tracking          | dB  | 1.5   | 2.5         | 1.5         |
| <b>Vertical Pattern:</b>                    |     |   |             |             |
| Elevation Beamwidth                         | °   | 6.7 ± 0.4                                     | 6.4 ± 0.3   | 6.1 ± 0.4   |
| Electrical Downtilt continuously adjustable | °   | 2.0 – 12.0                                    |             |             |
| Tilt Accuracy                               | °   | < 0.4   | < 0.9       | < 1.1       |
| First Upper Sidelobe Suppression            | dB  | > 15  | > 13        | > 13        |
| Intra-Cluster Isolation                     | dB  | > 23  |             |             |
| Inter-Cluster Isolation                     | dB  | > 23 (P1 (L) // P1 (CL) // P1 (CR) // P1 (R)) |             |             |
| Max. Effective Power per Port               | W   | 40 (at 40 °C ambient temperature)             |             |             |

Values based on NGMN-P-BASTA (version 11.1) requirements.

| Right side, midband                         |     | P1 (R), connector 1.4–2.4                     |             |             |
|---|-----|---|-------------|-------------|
| Frequency Range                             | MHz | 3300 – 3400                                   | 3400 – 3600 | 3600 – 3800 |
| Gain at mid Tilt                            | dBi | 15.0  | 15.2        | 15.4        |
| Gain over all Tilts                         | dBi | 14.9 ± 0.5                                    | 15.1 ± 0.5  | 15.3 ± 0.6  |
| <b>Horizontal Pattern:</b>                  |     |   |             |             |
| Azimuth Beamwidth                           | °   | 95 ± 4.1                                      | 86 ± 5.6    | 79 ± 8.9    |
| Front-to-Back Ratio, Total Power, ± 30°     | dB  | > 19  | > 19        | > 20        |
| Cross Polar Discrimination at Boresight     | dB  | > 23  | > 23        | > 23        |
| Azimuth Beam Squint                         | °   | 1 ± 4.5                                       | -2 ± 2.4    | -3 ± 2.7    |
| Azimuth Beam Port-to-Port Tracking          | dB  | 2.5   | 3.0         | 3.0         |
| <b>Vertical Pattern:</b>                    |     |   |             |             |
| Elevation Beamwidth                         | °   | 6.6 ± 0.3                                     | 6.5 ± 0.5   | 6.1 ± 0.3   |
| Electrical Downtilt continuously adjustable | °   | 2.0 – 12.0                                    |             |             |
| Tilt Accuracy                               | °   | < 0.4   | < 0.7       | < 0.9       |
| First Upper Sidelobe Suppression            | dB  | > 12  | > 11        | > 11        |
| Intra-Cluster Isolation                     | dB  | > 23  |             |             |
| Inter-Cluster Isolation                     | dB  | > 23 (P1 (L) // P1 (CL) // P1 (CR) // P1 (R)) |             |             |
| Max. Effective Power per Port               | W   | 40 (at 40 °C ambient temperature)             |             |             |

Values based on NGMN-P-BASTA (version 11.1) requirements.

**Broadcast Beam at mid Tilt**

| Frequency Range              | MHz | 3300 – 3400 | 3400 – 3600 | 3600 – 3800 |
|------------------------------|-----|-------------|-------------|-------------|
| Azimuth 3dB Beamwidth        | °   | 65          | 65          | 65          |
| Gain                         | dB  | 16.5        | 16.5        | 16.5        |
| Gain roll-off at Sector Edge | dB  | 8           | 8           | 8           |
| Cross Polar Ratio (0°)       | dB  | > 15        | > 12        | > 10        |
| Front-to-back Ratio          | dB  | > 21        | > 21        | > 21        |

**Service Beam at mid Tilt**

|   |    |      |      |      |
|---|----|------|------|------|
| 0° Direct Beam Gain                           | dB | 20.7 | 20.8 | 20.7 |
| 0° Direction Beam Horizontal 3dB Beam Width   | °  | 25.1 | 23.4 | 21.8 |
| 0° Direction Beam Horizontal SLS              | dB | > 14 | > 14 | > 14 |
| 0° Direction Beam Cross polar Ratio           | dB | > 15 | > 13 | > 11 |
| 0° Direction Beam Front-to-Back Ratio         | dB | > 23 | > 22 | > 23 |
| ±30° Direct Beam Gain                         | dB | 20.0 | 20.1 | 19.8 |
| ±30° Direction Beam Horizontal 3dB Beam Width | °  | 27.0 | 25.8 | 24.8 |
| ±30° Direction Beam Horizontal SLS            | dB | > 14 | > 10 | > 5  |
| 30° Direction Beam Cross polar Ratio          | dB | > 15 | > 15 | > 15 |
| ±30° Direction Beam Front-to-Back Ratio       | dB | > 22 | > 22 | > 21 |

**Multi Beam at mid Tilt**

|                                  |    |      |      |      |
|----------------------------------|----|------|------|------|
| Horizontal 3dB Beam Width        | °  | 32.7 | 32.0 | 31.5 |
| Gain                             | dB | 19.3 | 19.2 | 18.9 |
| 0° Direction Beam Horizontal SLS | dB | 9    | 7    | 5    |

**Calibration and electrical parameters**

|   |    |                                     |
|---|----|-------------------------------------|
| Coupling factor between each antenna column and cal network   | dB | -26 ± 2 (equal power on all)        |
| Max. amplitude tolerance from calibration port to input ports | dB | ± 1 (within ±45° or -45° Pol Ports) |
| Max. phase tolerance cal network                              | °  | ±10                                 |



**Electrical specifications, all ports**

|                         |     |                             |
|-------------------------|-----|-----------------------------|
| Impedance               | Ω   | 50                          |
| VSWR                    |     | < 1.5                       |
| Return Loss             | dB  | > 14                        |
| Interband Isolation     | dB  | > 23                        |
| Passive Intermodulation | dBc | < -120 (2 x 43 dBm carrier) |
| Polarization            | °   | +45, -45                    |

**Power rating at installation scenario**

|  |   |                                    |
|--|---|------------------------------------|
| Max. Effective Power for the Antenna*                    | W | 320 (at 40 °C ambient temperature) |
| Max. allowed output power per port TDD radio to antenna* | W | 50                                 |

Values based on NGMN-P-BASTA (version 11.1) requirements.  
\* For TDD radio configured with DL ratio 66 % (DDDSUDDSUU) TDD pattern. Connection via jumper cables > 0.3 dB IL

**Mechanical specifications**

|   |   |   |
|---|---|---|
| Input                                     | MQ4 + MQ5   |   |
| CAL                                       | -   |   |
| Connector Position                        | bottom  |   |
| Adjustment Mechanism                      | Integrated RET, continuously adjustable                             |   |
| Wind load (at Rated Wind Speed: 150 km/h) | N   lbf   | Frontal: 220   49<br>Lateral: 220   49                  |
| Wind Load Standard                        | EN 1994-1-4   |   |
| Wind Load Laboratory                      | TU Dresden;<br>Göttinger-type wind tunnel                           |   |
| Max. Wind Velocity                        | km/h<br>mph   | 241<br>150  |
| Height / Width / Depth                    | mm<br>inches  | 916 / 275 / 100<br>36.1 / 10.8 / 3.9                    |
| Category of Mounting Hardware             | M (Medium)  |   |
| Weight                                    | kg<br>lb  | 8.2 / 10.4 (clamps incl.)<br>18.1 / 22.9 (clamps incl.) |
| Packing Size                              | mm<br>inches  | 1100 / 300 / 150<br>43.3 / 11.8 / 5.9                   |
| Scope of Supply                           | Panel and 2 units of clamps for 42–115 mm   1.7–4.5 inches diameter |   |

**Accessories (order separately if required)**

| Product No. | Description    | Remarks<br>mm   inches             | Units per antenna |
|-------------|----------------|------------------------------------|-------------------|
| 731651      | 1 clamp        | Mast diameter: 28–60   1.1–2.4     | 2                 |
| 85010002    | 1 clamp        | Mast diameter: 110 – 220   4.3–8.7 | 2                 |
| 85010003    | 1 clamp        | Mast diameter: 210–380   8.3–15.0  | 2                 |
| 737978      | 1 downtilt kit | Downtilt angle: 0°–20°             | 1                 |

**Accessories (included in the scope of supply)**

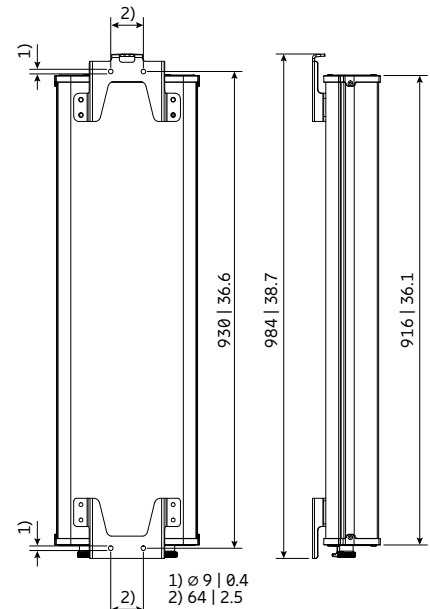
| Product No.  | Description | Remarks<br>mm   inches          | Units per antenna |
|--------------|-------------|---------------------------------|-------------------|
| 738546       | 1 clamp     | Mast diameter: 42–115   1.7–4.5 | 2                 |
| KRY 121 79/1 | RET Unit    |                                 | 1                 |

For downtilt mounting use the clamps for an appropriate mast diameter together with the downtilt kit.

Wall mounting: No additional mounting kit needed.

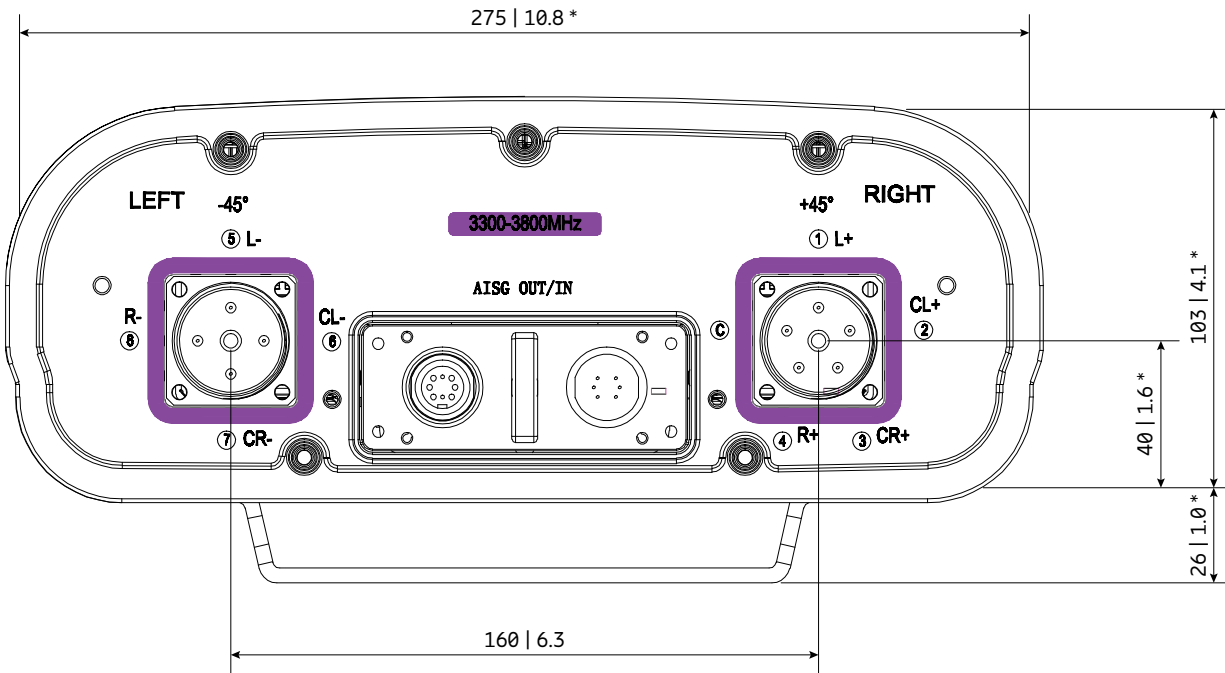
**Material:** **Reflector screen:** Aluminum.  
**Fiberglass housing:** It covers totally the internal antenna components. The special design reduces the sealing areas to a minimum and guarantees the best weather protection. Fiberglass material guarantees optimum performance with regards to stability, stiffness, UV resistance and painting. The color of the radome is light grey.

**Grounding:** The metal parts of the antenna including the mounting kit and the inner conductors are DC grounded.



All dimensions in mm | inches

### Layout of interface

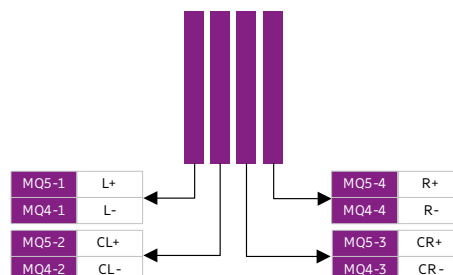


Bottom view  
 \* Dimensions refer to radome  
 All dimensions in mm | inches

### Correlation Table

| Frequency range | Array   | Connector / Ports |
|-----------------|---------|-------------------|
| 3300–3800 MHz   | P1 (L)  | 1.1–2.1           |
| 3300–3800 MHz   | P1 (CL) | 1.2–2.2           |
| 3300–3800 MHz   | P1 (CR) | 1.3–2.3           |
| 3300–3800 MHz   | P1 (R)  | 1.4–2.4           |

**Attention:**  
 Risk of damage if the RF Ports are connected incorrectly.  
 No RF power on CAL port allowed!



# TDD Configuration

## 1LB nMB

Capacity

Compact

Coverage

| Product Name<br>Product No.               | Frequency MHz | HPBW ° | Gain dBi | Tilt ° | Connector type | Page                | 3C |
|---|---------------|--------|----------|--------|----------------|---------------------|----|
| 1x Lowband   8x Midband                   |               |        |          |        |                |                     |    |
| Antenna 5600 1L 8M 2.0m<br>KRE 101 2409/1 | 1x 698–960    | 65     | 15.3     | 2–12   | 4.3-10         | <a href="#">408</a> |    |
|   | 1x 1695–2690  | 65     | 15.7     | 2–12   |                |                     |    |
|   | 3x 1695–2690  | 65     | 15.4     | 2–12   | MQ4/MQ5 socket |                     |    |
|   | 4x 2300–2690  | 90     | 15.0     | 2–12   |                |                     |    |
| Antenna 6001 1L 8M 1.4m<br>KRE 101 2528/1 | 1x 698–960    | 65     | 14.0     | 2–16   | 4.3-10         | <a href="#">414</a> |    |
|   | 4x 1695–2690  | 65     | 14.5     | 2–12   |                |                     |    |
|   | 4x 3300–3800  | 80     | 14.0     | 2–12   | MQ4/MQ5 socket |                     |    |
|   |               |        |          |        |                |                     |    |



# Antenna 5600 1L 8M 2.0m

KRE 101 2409/1

Capacity

Compact

Coverage

65° | 1x 698–960 | 15.3 dBi

65° | 1x 1695–2690 | 15.7 dBi

65° | 3x 1695–2690 | 15.4 dBi

90° | 4x 2300–2690 | 15.0 dBi

Electrical downtilt set by integrated RET



[ericsson.com/antenna-system](https://ericsson.com/antenna-system)



Scan or [click](#)

| Left side, lowband                          |     | R1, connector 1–2                  |            |            |
|---|-----|------------------------------------|------------|------------|
| Frequency Range                             | MHz | 698 – 824                          | 790 – 894  | 880 – 960  |
| Gain at mid Tilt                            | dBi | 14.6                               | 15.0       | 15.1       |
| Gain over all Tilts                         | dBi | 14.6 ± 0.5                         | 15.0 ± 0.5 | 15.1 ± 0.3 |
| <b>Horizontal Pattern:</b>                  |     |                                    |            |            |
| Azimuth Beamwidth                           | °   | 64 ± 6.2                           | 60 ± 3.7   | 60 ± 3.2   |
| Front-to-Back Ratio, Total Power, ± 30°     | dB  | > 22                               | > 24       | > 24       |
| <b>Vertical Pattern:</b>                    |     |                                    |            |            |
| Elevation Beamwidth                         | °   | 11.8 ± 1.2                         | 10.6 ± 1.1 | 9.5 ± 0.5  |
| Electrical Downtilt continuously adjustable | °   | 2.0 – 12.0                         |            |            |
| Tilt Accuracy                               | °   | < 0.8                              | < 0.8      | < 0.9      |
| First Upper Sidelobe Suppression            | dB  | > 16                               | > 16       | > 15       |
| Intra-Cluster Isolation                     | dB  | > 25                               |            |            |
| Port to Port Isolation                      | dB  | > 28 (R1 // Y1, Y2, Y3, Y4)        |            |            |
| Max. Effective Power per Port               | W   | 350 (at 50 °C ambient temperature) |            |            |

Values based on NGMN-P-BASTA (version 11.1) requirements.

| Left side, lower midband                    |     | Y1, connector 3–4                  |             |             |             |             |
|---|-----|------------------------------------|-------------|-------------|-------------|-------------|
| Frequency Range                             | MHz | 1695 – 1880                        | 1850 – 1990 | 1920 – 2170 | 2300 – 2500 | 2490 – 2690 |
| Gain at mid Tilt                            | dBi | 15.3                               | 15.5        | 15.3        | 15.5        | 15.9        |
| Gain over all Tilts                         | dBi | 15.2 ± 0.6                         | 15.4 ± 0.5  | 15.3 ± 0.6  | 15.4 ± 0.5  | 15.9 ± 0.4  |
| <b>Horizontal Pattern:</b>                  |     |                                    |             |             |             |             |
| Azimuth Beamwidth                           | °   | 69 ± 5.0                           | 67 ± 3.6    | 68 ± 5.0    | 59 ± 3.6    | 59 ± 4.4    |
| Front-to-Back Ratio, Total Power, ± 30°     | dB  | > 24                               | > 26        | > 25        | > 24        | > 24        |
| <b>Vertical Pattern:</b>                    |     |                                    |             |             |             |             |
| Elevation Beamwidth                         | °   | 10.0 ± 0.7                         | 9.4 ± 0.8   | 9.0 ± 0.9   | 7.9 ± 0.4   | 7.1 ± 0.3   |
| Electrical Downtilt continuously adjustable | °   | 2.0 – 12.0                         |             |             |             |             |
| Tilt Accuracy                               | °   | < 0.6                              | < 0.7       | < 0.8       | < 0.7       | < 0.5       |
| First Upper Sidelobe Suppression            | dB  | > 18                               | > 18        | > 18        | > 19        | > 18        |
| Intra-Cluster Isolation                     | dB  | > 25                               |             |             |             |             |
| Port to Port Isolation                      | dB  | > 26 (Y1 // Y2, Y3, Y4)            |             |             |             |             |
| Max. Effective Power per Port               | W   | 250 (at 50 °C ambient temperature) |             |             |             |             |

Values based on NGMN-P-BASTA (version 11.1) requirements.

| Left side, upper midband                    |     | Y2, connector 5–6                  |             |             |             |             |
|---|-----|------------------------------------|-------------|-------------|-------------|-------------|
| Frequency Range                             | MHz | 1695 – 1880                        | 1850 – 1990 | 1920 – 2170 | 2300 – 2500 | 2490 – 2690 |
| Gain at mid Tilt                            | dBi | 14.8                               | 15.0        | 15.2        | 15.4        | 15.5        |
| Gain over all Tilts                         | dBi | 14.7 ± 0.3                         | 15.0 ± 0.7  | 15.2 ± 0.7  | 15.4 ± 0.6  | 15.4 ± 0.5  |
| <b>Horizontal Pattern:</b>                  |     |                                    |             |             |             |             |
| Azimuth Beamwidth                           | °   | 70 ± 3.0                           | 67 ± 3.8    | 63 ± 5.9    | 61 ± 5.0    | 58 ± 4.2    |
| Front-to-Back Ratio, Total Power, ± 30°     | dB  | > 26                               | > 25        | > 24        | > 23        | > 23        |
| <b>Vertical Pattern:</b>                    |     |                                    |             |             |             |             |
| Elevation Beamwidth                         | °   | 10.3 ± 0.6                         | 9.5 ± 0.5   | 9.1 ± 0.8   | 7.7 ± 0.4   | 7.3 ± 0.4   |
| Electrical Downtilt continuously adjustable | °   | 2.0 – 12.0                         |             |             |             |             |
| Tilt Accuracy                               | °   | < 0.7                              | < 0.4       | < 0.4       | < 0.4       | < 0.4       |
| First Upper Sidelobe Suppression            | dB  | > 18                               | > 18        | > 18        | > 17        | > 16        |
| Intra-Cluster Isolation                     | dB  | > 25                               |             |             |             |             |
| Port to Port Isolation                      | dB  | > 26 (Y2 // Y1, Y3, Y4)            |             |             |             |             |
| Max. Effective Power per Port               | W   | 250 (at 50 °C ambient temperature) |             |             |             |             |

Values based on NGMN-P-BASTA (version 11.1) requirements.

| Center, upper midband                       |     | Y3, connector 7–8                  |             |             |             |             |
|---|-----|------------------------------------|-------------|-------------|-------------|-------------|
| Frequency Range                             | MHz | 1695 – 1880                        | 1850 – 1990 | 1920 – 2170 | 2300 – 2500 | 2490 – 2690 |
| Gain at mid Tilt                            | dBi | 15.2                               | 15.5        | 15.7        | 16.0        | 16.0        |
| Gain over all Tilts                         | dBi | 15.2 ± 0.4                         | 15.5 ± 0.7  | 15.6 ± 0.4  | 15.9 ± 0.5  | 16.0 ± 0.5  |
| <b>Horizontal Pattern:</b>                  |     |                                    |             |             |             |             |
| Azimuth Beamwidth                           | °   | 62 ± 2.6                           | 62 ± 2.7    | 61 ± 3.2    | 56 ± 4.6    | 57 ± 3.7    |
| Front-to-Back Ratio, Total Power, ± 30°     | dB  | > 27                               | > 27        | > 27        | > 27        | > 27        |
| <b>Vertical Pattern:</b>                    |     |                                    |             |             |             |             |
| Elevation Beamwidth                         | °   | 11.5 ± 0.6                         | 10.9 ± 0.3  | 10.4 ± 0.6  | 9.2 ± 0.6   | 8.4 ± 0.5   |
| Electrical Downtilt continuously adjustable | °   | 2.0 – 12.0                         |             |             |             |             |
| Tilt Accuracy                               | °   | < 0.5                              | < 0.5       | < 0.5       | < 0.7       | < 0.6       |
| First Upper Sidelobe Suppression            | dB  | > 22                               | > 21        | > 19        | > 18        | > 15        |
| Intra-Cluster Isolation                     | dB  | > 25                               |             |             |             |             |
| Port to Port Isolation                      | dB  | > 26 (Y3 // Y1, Y2, Y4)            |             |             |             |             |
| Max. Effective Power per Port               | W   | 250 (at 50 °C ambient temperature) |             |             |             |             |

Values based on NGMN-P-BASTA (version 11.1) requirements.

| Right side, upper midband                   |     | Y4, connector 9–10                 |             |             |             |             |
|---|-----|------------------------------------|-------------|-------------|-------------|-------------|
| Frequency Range                             | MHz | 1695 – 1880                        | 1850 – 1990 | 1920 – 2170 | 2300 – 2500 | 2490 – 2690 |
| Gain at mid Tilt                            | dBi | 15.2                               | 15.5        | 15.7        | 15.9        | 16.5        |
| Gain over all Tilts                         | dBi | 15.2 ± 0.4                         | 15.5 ± 0.1  | 15.6 ± 0.1  | 15.9 ± 0.5  | 16.5 ± 0.4  |
| <b>Horizontal Pattern:</b>                  |     |                                    |             |             |             |             |
| Azimuth Beamwidth                           | °   | 66 ± 3.4                           | 64 ± 2.6    | 65 ± 3.2    | 59 ± 2.4    | 54 ± 2.2    |
| Front-to-Back Ratio, Total Power, ± 30°     | dB  | > 22                               | > 24        | > 23        | > 22        | > 22        |
| <b>Vertical Pattern:</b>                    |     |                                    |             |             |             |             |
| Elevation Beamwidth                         | °   | 11.5 ± 0.6                         | 10.8 ± 0.4  | 10.1 ± 0.7  | 8.8 ± 0.4   | 8.0 ± 0.4   |
| Electrical Downtilt continuously adjustable | °   | 2.0 – 12.0                         |             |             |             |             |
| Tilt Accuracy                               | °   | < 0.4                              | < 0.4       | < 0.4       | < 0.4       | < 0.4       |
| First Upper Sidelobe Suppression            | dB  | > 17                               | > 17        | > 17        | > 17        | > 16        |
| Intra-Cluster Isolation                     | dB  | > 25                               |             |             |             |             |
| Port to Port Isolation                      | dB  | > 26 (Y4 // Y1, Y2, Y3)            |             |             |             |             |
| Max. Effective Power per Port               | W   | 250 (at 50 °C ambient temperature) |             |             |             |             |

Values based on NGMN-P-BASTA (version 11.1) requirements.

| Center, lower midband |     | Y5, connector 11–18 |             |
|-----------------------|-----|---------------------|-------------|
| Frequency Range       | MHz | 2300 – 2500         | 2490 – 2690 |

### Unit Beam

|                            |     |            |            |
|----------------------------|-----|------------|------------|
| Gain Over All Tilts        | dBi | 14.8 ± 1.0 | 15.0 ± 0.7 |
| Gain Mid Tilt              | dBi | 14.8       | 15.0       |
| Horizontal Beamwidth       | °   | 90 ± 18    | 84 ± 14    |
| Vertical Beamwidth         | °   | 7.2 ± 0.8  | 6.6 ± 0.8  |
| Upper Sidelobe Suppression | dB  | ≥ 16       | ≥ 15       |
| Front-to-Back Ratio        | dB  | ≥ 23       | ≥ 22       |
| Cross-polarization @ 0°    |     | ≥ 17       | ≥ 18       |

### Broadcast Beam

|                            |     |            |            |
|----------------------------|-----|------------|------------|
| Gain Over All Tilts        | dBi | 15.5 ± 0.6 | 15.7 ± 0.5 |
| Gain Mid Tilt              | dBi | 15.5       | 15.7       |
| Horizontal Beamwidth       | °   | 64 ± 5     | 59 ± 4     |
| Vertical Beamwidth         | °   | 7.1 ± 0.4  | 6.5 ± 0.4  |
| Upper Sidelobe Suppression | dB  | ≥ 15       | ≥ 15       |
| Front-to-Back Ratio        | dB  | ≥ 26       | ≥ 26       |
| Cross-polarization @ 0°    | dB  | ≥ 26       | ≥ 26       |
| Cross-polarization @ ±60°  | dB  | ≥ 8        | ≥ 8        |

### Service Beam

|  |     |            |            |
|--|-----|------------|------------|
| Gain Over All Tilts                            | dBi | 20.0 ± 0.5 | 20.7 ± 0.6 |
| Gain Mid Tilt                                  | dBi | 20.0       | 20.7       |
| Horizontal Beamwidth @ 0° direction            | °   | 25 ± 2     | 23 ± 2     |
| Horizontal Sidelobe Suppression @ 0° direction | dB  | ≥ 13       | ≥ 13       |
| Front-to-Back Ratio @ 0° direction             | dB  | ≥ 30       | ≥ 30       |
| Cross-polarization @ 0° direction              | dB  | ≥ 26       | ≥ 26       |

### Multi Beam

|                            |     |            |            |
|----------------------------|-----|------------|------------|
| Gain                       | dBi | 19.3 ± 0.6 | 19.5 ± 0.5 |
| Horizontal Beamwidth       | °   | 31 ± 3     | 29 ± 4     |
| Vertical Beamwidth         | °   | 7.0 ± 0.4  | 6.5 ± 0.5  |
| Upper Sidelobe Suppression | dB  |            | ≥ 15       |
| Front-to-Back Ratio        | dB  |            | ≥ 25       |
| Cross-polarization @ 0°    | dB  |            | ≥ 18       |

Values based on NGMN-P-BASTA (version 11.1) requirements.



## Electrical specifications, all ports

|                                      |          |                                     |
|--------------------------------------|----------|-------------------------------------|
| Impedance                            | $\Omega$ | 50                                  |
| VSWR                                 |          | < 1.5                               |
| Return Loss                          | dB       | > 14                                |
| Inter-Cluster Isolation              | dB       | > 28                                |
| Passive Intermodulation (R1, Y1–Y4)  | dBc      | < -153 (2 x 43 dBm carrier)         |
| Polarization                         | °        | +45, -45                            |
| Max. Effective Power for the Antenna | W        | 1000 (at 50 °C ambient temperature) |

Values based on NGMN-P-BASTA (version 11.1) requirements.

## Material:

**Reflector screen and dipoles:**  
Aluminum.

**Fiberglass housing:** It covers totally the internal antenna components. The special design reduces the sealing areas to a minimum and guarantees the best weather protection. Fiberglass material guarantees optimum performance with regards to stability, stiffness, UV resistance and painting. The color of the radome is light grey.  
**All nuts and bolts:** Stainless steel or hot-dip galvanized steel.

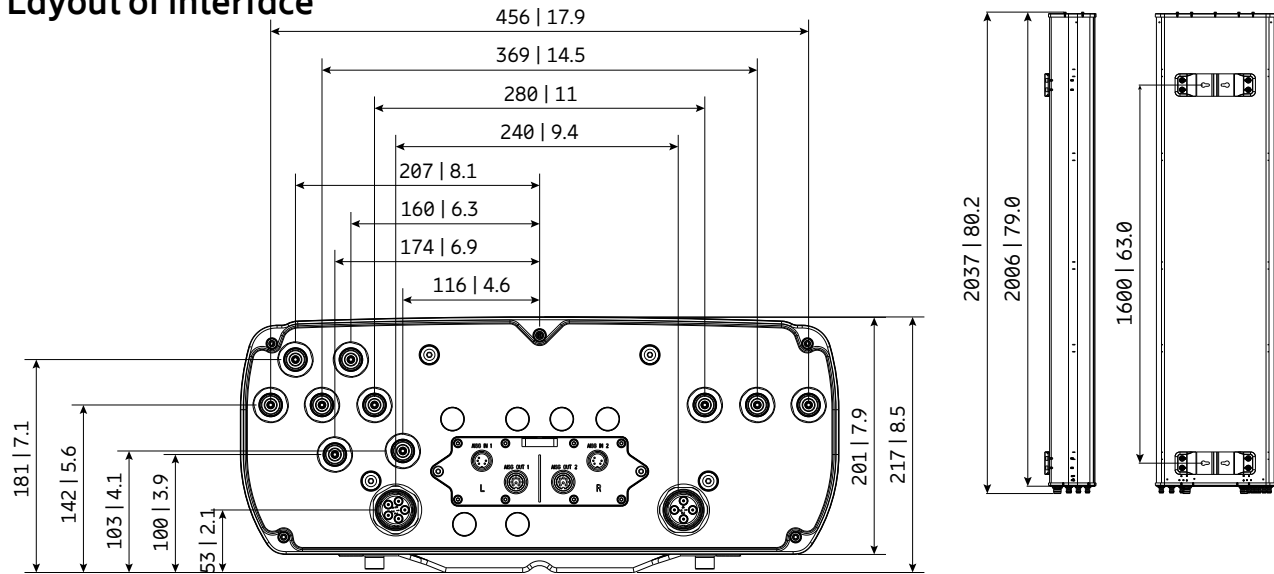
## Grounding:

The metal parts of the antenna including the mounting kit and the inner conductors are DC grounded.

## Mechanical specifications

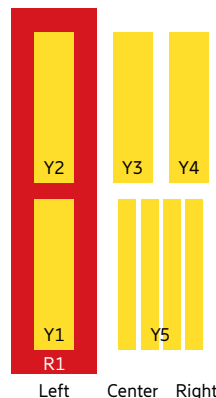
|   |   |   |
|---|---|---|
| Input                                     | 10x 4.3-10 female,<br>1x MQ4 male,<br>1x MQ5 male   |   |
| Connector Position                        | bottom  |   |
| Adjustment Mechanism                      | Integrated RET,<br>continuously adjustable  |   |
| Wind load (at Rated Wind Speed: 150 km/h) | N   lbf   | Frontal: 1215   273<br>Maximal: 1215   273                |
| Max. Wind Velocity                        | km/h<br>mph   | 200<br>124  |
| Height / Width / Depth                    | mm<br>inches  | 2000 / 498 / 192<br>78.7 / 19.6 / 7.6                     |
| Weight                                    | kg<br>lb  | 43.0 / 51.0 (clamps incl.)<br>94.8 / 112.4 (clamps incl.) |
| Packing Size                              | mm<br>inches  | 2335 / 550 / 265<br>91.9 / 21.7 / 10.4                    |
| Scope of Supply                           | Antenna, mounting kit<br>(50–115 mm)<br>incl. mech. Tilt-kit ( $0^\circ$ – $12^\circ$ )<br>SXA 120 130/2,<br>integr. RET KRY 121 78/3 |   |

## Layout of interface



## Correlation Table

| Frequency range | Array | Connector / Ports |
|-----------------|-------|-------------------|
| 698–960 MHz     | R1    | 1–2               |
| 1695–2690 MHz   | Y1    | 3–4               |
| 1695–2690 MHz   | Y2    | 5–6               |
| 1695–2690 MHz   | Y3    | 7–8               |
| 1695–2690 MHz   | Y4    | 9–10              |
| 2300–2690 MHz   | Y5    | 11–18             |





# Antenna 6001 1L 8M 1.4m

KRE 101 2528/1

**Capacity**    Compact    Coverage

65° | 1x 698–960 MHz | 14.0 dBi  
 65° | 4x 1695–2690 MHz | 14.5 dBi  
 80° | 4x 3300–3800 MHz | 14.0 dBi  
 Electrical downtilt set by integrated RET



[ericsson.com/antenna-system](http://ericsson.com/antenna-system)



Scan or [click](#)

| Left side, lowband                                     |     | R1, connector 1–2           |            |            |
|--|-----|-----------------------------|------------|------------|
| Frequency Range  | MHz | 698 – 824                   | 790 – 894  | 880 – 960  |
| Gain at mid Tilt                                       | dBi | 13.4                        | 13.8       | 14.1       |
| Gain over all Tilts                                    | dBi | 13.3 ± 0.2                  | 13.8 ± 0.5 | 14.0 ± 0.4 |
| <b>Horizontal Pattern:</b>                             |     |                             |            |            |
| Azimuth Beamwidth                                      | °   | 67 ± 2.4                    | 64 ± 5.9   | 61 ± 6.0   |
| Front-to-Back Ratio, Total Power, ± 30°                | dB  | > 23                        | > 24       | > 24       |
| Cross Polar Discrimination at Boresight                | dB  | > 23                        | > 24       | > 22       |
| Cross Polar Discrimination over Sector                 | dB  | > 6.5                       | > 7.0      | > 7.0      |
| Azimuth Beam Port-to-Port Tracking                     | dB  | < 2.5                       | < 3.5      | > 4.5      |
| <b>Vertical Pattern:</b>                               |     |                             |            |            |
| Elevation Beamwidth                                    | °   | 15.6 ± 1.5                  | 14.1 ± 0.8 | 13.2 ± 0.9 |
| Electrical Downtilt continuously adjustable            | °   | 2.0 – 16.0                  |            |            |
| Tilt Accuracy  | °   | < 0.6                       | < 0.8      | < 0.8      |
| First Upper Sidelobe Suppression                       | dB  | > 17                        | > 16       | > 16       |
| Upper Sidelobe Suppression, 20° Sector above Main Beam | dB  | > 20                        | > 17       | > 28       |
| Intra-Cluster Isolation                                | dB  | ≥ 25                        |            |            |
| Port to Port Isolation                                 | dB  | ≥ 25 (R1 // Y1, Y2, Y3, Y4) |            |            |
| Max. Effective Power per Port                          | W   | 400                         |            |            |

Values based on NGMN-P-BASTA (version 11.1) requirements.

| Left side, lower midband                               |     | Y1, connector 3–4           |             |             |             |             |
|--|-----|-----------------------------|-------------|-------------|-------------|-------------|
| Frequency Range  | MHz | 1695 – 1880                 | 1850 – 1990 | 1920 – 2170 | 2300 – 2400 | 2490 – 2690 |
| Gain at mid Tilt                                       | dBi | 13.6                        | 13.8        | 14.1        | 14.5        | 14.9        |
| Gain over all Tilts                                    | dBi | 13.6 ± 0.5                  | 13.8 ± 0.4  | 14.0 ± 0.5  | 14.5 ± 0.3  | 14.9 ± 0.5  |
| <b>Horizontal Pattern:</b>                             |     |                             |             |             |             |             |
| Azimuth Beamwidth                                      | °   | 61 ± 6.3                    | 63 ± 3.8    | 60 ± 6.1    | 53 ± 5.0    | 52 ± 4.4    |
| Front-to-Back Ratio, Total Power, ± 30°                | dB  | > 24                        | > 23        | > 24        | > 25        | > 25        |
| Cross Polar Discrimination at Boresight                | dB  | > 20                        | > 20        | > 19        | > 19        | > 20        |
| Cross Polar Discrimination over Sector                 | dB  | > 8.0                       | > 7.0       | > 1.0       | > 1.0       | > 1.0       |
| Azimuth Beam Port-to-Port Tracking                     | dB  | < 4.0                       | < 2.0       | < 2.5       | < 7.0       | < 4.0       |
| <b>Vertical Pattern:</b>                               |     |                             |             |             |             |             |
| Elevation Beamwidth                                    | °   | 13.9 ± 1.2                  | 13.1 ± 0.8  | 12.4 ± 1.4  | 11.3 ± 0.6  | 10.4 ± 0.9  |
| Electrical Downtilt continuously adjustable            | °   | 2.0 – 12.0                  |             |             |             |             |
| Tilt Accuracy  | °   | < 1.1                       | < 1.2       | < 0.8       | < 0.9       | < 0.9       |
| First Upper Sidelobe Suppression                       | dB  | > 15                        | > 19        | > 16        | > 18        | > 15        |
| Upper Sidelobe Suppression, 20° Sector above Main Beam | dB  | > 16                        | > 21        | > 16        | > 17        | > 14        |
| Intra-Cluster Isolation                                | dB  | ≥ 25                        |             |             |             |             |
| Port to Port Isolation                                 | dB  | ≥ 25 (Y1 // R1, Y2, Y3, Y4) |             |             |             |             |
| Max. Effective Power per Port                          | W   | 250                         |             |             |             |             |

Values based on NGMN-P-BASTA (version 11.1) requirements.

| Left side, upper midband                               |     | Y2, connector 5–6           |             |             |             |             |
|--|-----|-----------------------------|-------------|-------------|-------------|-------------|
| Frequency Range  | MHz | 1695 – 1880                 | 1850 – 1990 | 1920 – 2170 | 2300 – 2400 | 2490 – 2690 |
| Gain at mid Tilt                                       | dBi | 13.2                        | 13.4        | 13.7        | 14.5        | 14.9        |
| Gain over all Tilts                                    | dBi | 13.2 ± 0.3                  | 13.4 ± 0.5  | 13.8 ± 0.6  | 14.5 ± 0.5  | 14.9 ± 0.6  |
| <b>Horizontal Pattern:</b>                             |     |                             |             |             |             |             |
| Azimuth Beamwidth                                      | °   | 62 ± 6.3                    | 63 ± 6.7    | 60 ± 7.6    | 53 ± 3.6    | 48 ± 2.8    |
| Front-to-Back Ratio, Total Power, ± 30°                | dB  | > 25                        | > 27        | > 27        | > 26        | > 26        |
| Cross Polar Discrimination at Boresight                | dB  | > 19                        | > 20        | > 21        | > 23        | > 23        |
| Cross Polar Discrimination over Sector                 | dB  | > 11.0                      | > 11.0      | > 5.5       | > 2.5       | > 1.5       |
| Azimuth Beam Port-to-Port Tracking                     | dB  | < 3.0                       | < 3.0       | < 4.0       | < 4.0       | < 4.0       |
| <b>Vertical Pattern:</b>                               |     |                             |             |             |             |             |
| Elevation Beamwidth                                    | °   | 15.5 ± 1.7                  | 14.4 ± 0.8  | 13.7 ± 1.1  | 11.6 ± 0.8  | 10.5 ± 0.9  |
| Electrical Downtilt continuously adjustable            | °   | 2.0 – 12.0                  |             |             |             |             |
| Tilt Accuracy  | °   | < 0.8                       | < 0.8       | < 1.3       | < 1.1       | < 1.5       |
| First Upper Sidelobe Suppression                       | dB  | > 20                        | > 21        | > 20        | > 22        | > 20        |
| Upper Sidelobe Suppression, 20° Sector above Main Beam | dB  | > 23                        | > 26        | > 22        | > 21        | > 18        |
| Intra-Cluster Isolation                                | dB  | ≥ 25                        |             |             |             |             |
| Port to Port Isolation                                 | dB  | ≥ 25 (Y2 // R1, Y1, Y3, Y4) |             |             |             |             |
| Max. Effective Power per Port                          | W   | 250                         |             |             |             |             |

Values based on NGMN-P-BASTA (version 11.1) requirements.

| Center, upper midband                                  |     | Y3, connector 7–8           |             |             |             |             |
|--|-----|-----------------------------|-------------|-------------|-------------|-------------|
| Frequency Range  | MHz | 1695 – 1880                 | 1850 – 1990 | 1920 – 2170 | 2300 – 2400 | 2490 – 2690 |
| Gain at mid Tilt                                       | dBi | 13.8                        | 14.1        | 14.1        | 14.2        | 14.6        |
| Gain over all Tilts                                    | dBi | 13.7 ± 0.4                  | 14.1 ± 0.5  | 14.1 ± 0.5  | 14.2 ± 0.3  | 14.5 ± 0.4  |
| <b>Horizontal Pattern:</b>                             |     |                             |             |             |             |             |
| Azimuth Beamwidth                                      | °   | 67 ± 6.9                    | 63 ± 5.1    | 60 ± 7.8    | 61 ± 6.0    | 60 ± 3.0    |
| Front-to-Back Ratio, Total Power, ± 30°                | dB  | > 25                        | > 26        | > 25        | > 27        | > 26        |
| Cross Polar Discrimination at Boresight                | dB  | > 19                        | > 23        | > 23        | > 18        | > 17        |
| Cross Polar Discrimination over Sector                 | dB  | > 9.5                       | > 9.0       | > 6.0       | > 5.0       | > 8.0       |
| Azimuth Beam Port-to-Port Tracking                     | dB  | < 2.0                       | < 1.5       | < 3.0       | < 3.0       | < 3.5       |
| <b>Vertical Pattern:</b>                               |     |                             |             |             |             |             |
| Elevation Beamwidth                                    | °   | 14.6 ± 1.2                  | 13.7 ± 0.9  | 12.8 ± 1.1  | 11.2 ± 0.7  | 10.5 ± 0.6  |
| Electrical Downtilt continuously adjustable            | °   | 2.0 – 12.0                  |             |             |             |             |
| Tilt Accuracy  | °   | < 1.4                       | < 0.8       | < 0.9       | < 0.5       | < 1.2       |
| First Upper Sidelobe Suppression                       | dB  | > 18                        | > 17        | > 16        | > 18        | > 13        |
| Upper Sidelobe Suppression, 20° Sector above Main Beam | dB  | > 18                        | > 17        | > 17        | > 18        | > 15        |
| Intra-Cluster Isolation                                | dB  | ≥ 25                        |             |             |             |             |
| Port to Port Isolation                                 | dB  | ≥ 25 (Y3 // R1, Y1, Y2, Y4) |             |             |             |             |
| Max. Effective Power per Port                          | W   | 250                         |             |             |             |             |

Values based on NGMN-P-BASTA (version 11.1) requirements.

## Right side, upper midband

## Y4, connector 9–10

| Frequency Range  | MHz | 1695 – 1880                 | 1850 – 1990 | 1920 – 2170 | 2300 – 2400 | 2490 – 2690 |
|--|-----|-----------------------------|-------------|-------------|-------------|-------------|
| Gain at mid Tilt                                       | dBi | 13.6                        | 13.8        | 13.9        | 14.3        | 14.8        |
| Gain over all Tilts                                    | dBi | 13.5 ± 0.2                  | 13.8 ± 0.4  | 13.9 ± 0.3  | 14.2 ± 0.4  | 14.8 ± 0.4  |
| <b>Horizontal Pattern:</b>                             |     |                             |             |             |             |             |
| Azimuth Beamwidth                                      | °   | 76 ± 6.5                    | 74 ± 4.8    | 72 ± 4.8    | 66 ± 5.9    | 60 ± 3.0    |
| Front-to-Back Ratio, Total Power, ± 30°                | dB  | > 23                        | > 24        | > 24        | > 24        | > 25        |
| Cross Polar Discrimination at Boresight                | dB  | > 17                        | > 18        | > 18        | > 18        | > 17        |
| Cross Polar Discrimination over Sector                 | dB  | > 11.0                      | > 10.5      | > 10.5      | > 10.0      | > 11.0      |
| Azimuth Beam Port-to-Port Tracking                     | dB  | < 1.5                       | < 1.5       | < 1.5       | < 2.5       | < 3.0       |
| <b>Vertical Pattern:</b>                               |     |                             |             |             |             |             |
| Elevation Beamwidth                                    | °   | 14.7 ± 0.7                  | 14.0 ± 0.6  | 13.2 ± 1.1  | 11.7 ± 0.6  | 10.9 ± 0.6  |
| Electrical Downtilt continuously adjustable            | °   | 2.0 – 12.0                  |             |             |             |             |
| Tilt Accuracy  | °   | < 1.5                       | < 1.5       | < 1.1       | < 0.9       | < 0.5       |
| First Upper Sidelobe Suppression                       | dB  | > 16                        | > 17        | > 17        | > 18        | > 20        |
| Upper Sidelobe Suppression, 20° Sector above Main Beam | dB  | > 18                        | > 17        | > 17        | > 18        | > 20        |
| Intra-Cluster Isolation                                | dB  | ≥ 25                        |             |             |             |             |
| Port to Port Isolation                                 | dB  | ≥ 25 (Y4 // R1, Y1, Y2, Y3) |             |             |             |             |
| Max. Effective Power per Port                          | W   | 250                         |             |             |             |             |

Values based on NGMN-P-BASTA (version 11.1) requirements.

## Center, lower midband

## P1, connector 11–12

| Frequency Range                             | MHz | 3300 – 3500 | 3500 – 3570 | 3570 – 3700 | 3700 – 3800 |
|---|-----|-------------|-------------|-------------|-------------|
| Electrical Downtilt continuously adjustable | °   | 2.0 – 12.0  |             |             |             |

## Unit Beam

|                            | dBi | 13.3 ± 0.9 | 13.8 ± 0.7 | 14.0 ± 0.6 | 14.3 ± 0.7 |
|----------------------------|-----|------------|------------|------------|------------|
| Gain Over All Tilts        | dBi | 13.3 ± 0.9 | 13.8 ± 0.7 | 14.0 ± 0.6 | 14.3 ± 0.7 |
| Gain Mid Tilt              | dBi | 13.2       | 13.7       | 14.0       | 14.2       |
| Horizontal Beamwidth       | °   | 80 ± 17    | 75 ± 15    | 70 ± 14    | 70 ± 11    |
| Vertical Beamwidth         | °   | 8.7 ± 1.8  | 8.5 ± 1.3  | 8.5 ± 1.0  | 8.2 ± 0.9  |
| Upper Sidelobe Suppression | dB  | ≥ 14       | ≥ 14       | ≥ 14       | ≥ 15       |
| Front-to-Back Ratio        | dB  | ≥ 24       | ≥ 25       | ≥ 24       | ≥ 23       |
| Cross-polarization @ 0°    | dB  | ≥ 17       | ≥ 16       | ≥ 16       | ≥ 16       |

## Broadcast Beam

|                            | dBi | 14.4 ± 0.9 | 14.9 ± 0.8 | 15.1 ± 0.8 | 15.4 ± 0.8 |
|----------------------------|-----|------------|------------|------------|------------|
| Gain Over All Tilts        | dBi | 14.4 ± 0.9 | 14.9 ± 0.8 | 15.1 ± 0.8 | 15.4 ± 0.8 |
| Gain Mid Tilt              | dBi | 14.4       | 14.9       | 15.1       | 15.4       |
| Horizontal Beamwidth       | °   | 65 ± 10    | 65 ± 10    | 65 ± 9     | 60 ± 9     |
| Vertical Beamwidth         | °   | 8.7 ± 1.8  | 8.5 ± 1.5  | 8.5 ± 1.3  | 8.2 ± 1.0  |
| Upper Sidelobe Suppression | dB  | ≥ 14       | ≥ 15       | ≥ 15       | ≥ 14       |
| Front-to-Back Ratio        | dB  | ≥ 24       | ≥ 25       | ≥ 25       | ≥ 26       |
| Cross-polarization @ 0°    | dB  | ≥ 19       | ≥ 18       | ≥ 18       | ≥ 17       |
| Cross-polarization @ ±60°  | dB  | ≥ 8        | ≥ 8        | ≥ 6        | ≥ 5        |

## Service Beam

|  | dBi | 18.4 ± 0.9 | 19.4 ± 0.8 | 19.6 ± 0.8 | 19.9 ± 0.8 |
|--|-----|------------|------------|------------|------------|
| Gain Over All Tilts                            | dBi | 18.4 ± 0.9 | 19.4 ± 0.8 | 19.6 ± 0.8 | 19.9 ± 0.8 |
| Gain Mid Tilt                                  | dBi | 18.4       | 19.4       | 19.7       | 20.0       |
| Horizontal Beamwidth @ 0° direction            | °   | 23 ± 2     | 23 ± 2     | 22 ± 2     | 22 ± 2     |
| Horizontal Sidelobe Suppression @ 0° direction | dB  | ≥ 12       | ≥ 12       | ≥ 12       | ≥ 12       |
| Front-to-Back Ratio @ 0° direction             | dB  | ≥ 28       | ≥ 28       | ≥ 27       | ≥ 28       |
| Cross-polarization @ 0° direction              | dB  | ≥ 18       | ≥ 20       | ≥ 20       | ≥ 18       |

Values based on NGMN-P-BASTA (version 11.1) requirements.

## Electrical specifications, all ports

|                                      |          |                             |
|--------------------------------------|----------|-----------------------------|
| Impedance                            | $\Omega$ | 50                          |
| VSWR                                 |          | < 1.5                       |
| Return Loss                          | dB       | > 14                        |
| Inter-Cluster Isolation              | dB       | > 25                        |
| Passive Intermodulation (R1, Y1–Y4)  | dBc      | < -153 (2 x 43 dBm carrier) |
| Polarization                         | °        | +45, -45                    |
| Max. Effective Power for the Antenna | W        | 800                         |

Values based on NGMN-P-BASTA (version 11.1) requirements.

**Material:**

**Reflector screen and dipoles:** Aluminum.

**Fiberglass housing:** It covers totally the internal antenna components. The special design reduces the sealing areas to a minimum and guarantees the best weather protection. Fiberglass material guarantees optimum performance with regards to stability, stiffness, UV resistance and painting. The color of the radome is light grey.

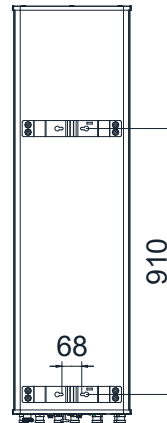
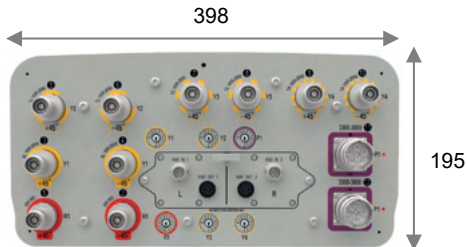
**All nuts and bolts:** Stainless steel or hot-dip galvanized steel.

**Grounding:** The metal parts of the antenna including the mounting kit and the inner conductors are DC grounded.

## Mechanical specifications

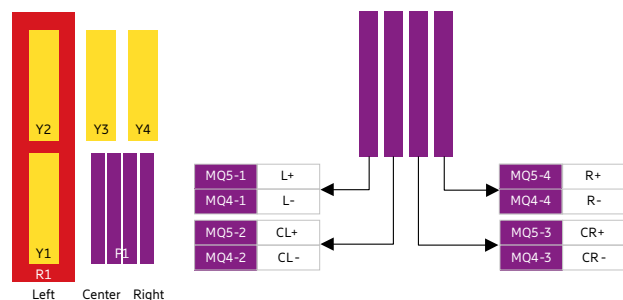
|   |              |   |
|---|--------------|---|
| Input                                     |              | 10x 4.3-10 female,<br>1x MQ4 male,<br>1x MQ5 male   |
| Connector Position                        |              | bottom  |
| Adjustment Mechanism                      |              | Integrated RET,<br>continuously adjustable  |
| Wind load (at Rated Wind Speed: 150 km/h) | N   lbf      | Frontal: 630   142<br>Maximal: 630   142  |
| Max. Wind Velocity                        | km/h<br>mph  | 200<br>124  |
| Height / Width / Depth                    | mm<br>inches | 1400 / 398 / 195<br>55.1 / 15.7 / 7.7   |
| Weight                                    | kg<br>lb     | 29.5 / 35.9 (clamps incl.)<br>65.0 / 79.1 (clamps incl.)  |
| Packing Size                              | mm<br>inches | 1710 / 490 / 265<br>67.3 / 19.3 / 10.4  |
| Scope of Supply                           |              | Antenna, mounting kit<br>(50–115 mm)<br>incl. mech. Tilt-kit ( $0^{\circ}$ – $16^{\circ}$ )<br>SXA 216 001/2,<br>integr. RET KRY 121 78/3 |

## Layout of interface



## Correlation Table

| Frequency range | Array   | Connector / Ports |
|-----------------|---------|-------------------|
| 698–960 MHz     | R1      | 1–2               |
| 1695–2690 MHz   | Y1      | 3–4               |
| 1695–2690 MHz   | Y2      | 5–6               |
| 1695–2690 MHz   | Y3      | 7–8               |
| 1695–2690 MHz   | Y4      | 9–10              |
| 3300–3800 MHz   | P1 (L)  | 11.1–12.1         |
| 3300–3800 MHz   | P1 (CL) | 11.2–12.2         |
| 3300–3800 MHz   | P1 (CR) | 11.3–12.3         |
| 3300–3800 MHz   | P1 (R)  | 11.4–12.4         |



# TDD Configuration

## 2LB nMB

Capacity

Compact

Coverage

| Product Name<br>Product No.               | Frequency MHz | HPBW ° | Gain dBi | Tilt °   | Connector type | Page                | 3C |
|---|---------------|--------|----------|----------|----------------|---------------------|----|
| 2x Lowband   7x Midband                   |               |        |          |          |                |                     |    |
| Antenna 5700 2L 7M 2.0m<br>KRE 101 2408/1 | 2x 698–960    | 65     | 15.3     | 2–12     | 4.3-10         | <a href="#">420</a> |    |
|   | 3x 1695–2690  | 65     | 16.0     | 2–12     | MQ4/MQ5 socket |                     |    |
|   | 4x 2300–2690  | 90     | 15.0     | 2–12     |                |                     |    |
| 2x Lowband   8x Midband                   |               |        |          |          |                |                     |    |
| Antenna 6600 2L 8M 2.0m<br>800442802      | 2x 698–960    | 65     | 15.2     | 2.5–11.5 | 4.3-10         | <a href="#">426</a> |    |
|   | 2x 1427–2690  | 65     | 15.9     | 2–12     | MQ4/MQ5 socket |                     |    |
|   | 2x 2300–2690  | 65     | 15.5     | 2–12     |                |                     |    |
|   | 4x 3300–3800  | 90     | 15.4     | 2–12     |                |                     |    |
| Antenna 6600 2L 8M 2.6m<br>800442803      | 2x 698–960    | 65     | 16.3     | 2.5–10   | 4.3-10         | <a href="#">433</a> |    |
|   | 2x 1427–2690  | 65     | 16.9     | 2–12     | MQ4/MQ5 socket |                     |    |
|   | 2x 2300–2690  | 65     | 16.4     | 2–12     |                |                     |    |
|   | 4x 3300–3800  | 90     | 15.4     | 2–12     |                |                     |    |



# Antenna 5700 2L 7M 2.0m

KRE 101 2408/1

Capacity

Compact

Coverage

65° | 2x 698–960 | 15.3 dBi  
65° | 3x 1695–2690 | 16.0 dBi  
90° | 4x 2300–2690 | 15.0 dBi  
Electrical downtilt set by integrated RET



[ericsson.com/antenna-system](https://ericsson.com/antenna-system)



Scan or [click](#)



| Left side, lowband                          |     | R1, connector 1–2                          |            |            |
|---|-----|--|------------|------------|
| Frequency Range                             | MHz | 698 – 824                                  | 790 – 894  | 880 – 960  |
| Gain at mid Tilt                            | dBi | 14.6                                       | 15.0       | 15.1       |
| Gain over all Tilts                         | dBi | 14.6 ± 0.4                                 | 14.9 ± 0.4 | 15.0 ± 0.4 |
| <b>Horizontal Pattern:</b>                  |     |  |            |            |
| Azimuth Beamwidth                           | °   | 62 ± 5.9                                   | 58 ± 5.9   | 56 ± 8.0   |
| Front-to-Back Ratio, Total Power, ± 30°     | dB  | > 23                                       | > 23       | > 22       |
| <b>Vertical Pattern:</b>                    |     |  |            |            |
| Elevation Beamwidth                         | °   | 11.4 ± 1.1                                 | 10.2 ± 0.9 | 9.1 ± 0.5  |
| Electrical Downtilt continuously adjustable | °   | 2.0 – 12.0                                 |            |            |
| Tilt Accuracy                               | °   | < 1.2                                      | < 1.4      | < 1.7      |
| First Upper Sidelobe Suppression            | dB  | > 15                                       | > 15       | > 15       |
| Intra-Cluster Isolation                     | dB  | > 25                                       |            |            |
| Port to Port Isolation                      | dB  | > 25 (R1 // R2)<br>> 28 (R1 // Y1, Y2, Y3) |            |            |
| Max. Effective Power per Port               | W   | 350 (at 50 °C ambient temperature)         |            |            |

Values based on NGMN-P-BASTA (version 11.1) requirements.

| Right side, lowband                         |     | R2, connector 3–4                  |            |            |
|---|-----|------------------------------------|------------|------------|
| Frequency Range                             | MHz | 698 – 824                          | 790 – 894  | 880 – 960  |
| Gain at mid Tilt                            | dBi | 14.4                               | 14.9       | 15.1       |
| Gain over all Tilts                         | dBi | 14.4 ± 0.5                         | 14.9 ± 0.4 | 15.0 ± 0.4 |
| <b>Horizontal Pattern:</b>                  |     |                                    |            |            |
| Azimuth Beamwidth                           | °   | 65 ± 6.6                           | 59 ± 5.2   | 55 ± 11.3  |
| Front-to-Back Ratio, Total Power, ± 30°     | dB  | > 22                               | > 23       | > 22       |
| <b>Vertical Pattern:</b>                    |     |                                    |            |            |
| Elevation Beamwidth                         | °   | 11.5 ± 1.2                         | 10.3 ± 0.7 | 9.2 ± 0.5  |
| Electrical Downtilt continuously adjustable | °   | 2.0 – 12.0                         |            |            |
| Tilt Accuracy                               | °   | < 0.5                              | < 0.8      | < 1.1      |
| First Upper Sidelobe Suppression            | dB  | > 14                               | > 15       | > 15       |
| Intra-Cluster Isolation                     | dB  | > 25                               |            |            |
| Port to Port Isolation                      | dB  | > 28 (R2 // Y1, Y2, Y3)            |            |            |
| Max. Effective Power per Port               | W   | 350 (at 50 °C ambient temperature) |            |            |

Values based on NGMN-P-BASTA (version 11.1) requirements.

| Left side, upper midband                    |     | Y1, connector 5–6                  |             |             |             |             |
|---|-----|------------------------------------|-------------|-------------|-------------|-------------|
| Frequency Range                             | MHz | 1695 – 1880                        | 1850 – 1990 | 1920 – 2170 | 2300 – 2500 | 2490 – 2690 |
| Gain at mid Tilt                            | dBi | 15.7                               | 15.7        | 15.7        | 15.7        | 16.0        |
| Gain over all Tilts                         | dBi | 15.7 ± 0.6                         | 15.6 ± 0.6  | 15.6 ± 0.6  | 15.7 ± 0.5  | 16.0 ± 0.6  |
| <b>Horizontal Pattern:</b>                  |     |                                    |             |             |             |             |
| Azimuth Beamwidth                           | °   | 63 ± 4.5                           | 68 ± 5.2    | 66 ± 7.2    | 58 ± 4.2    | 54 ± 3.8    |
| Front-to-Back Ratio, Total Power, ± 30°     | dB  | > 26                               | > 25        | > 26        | > 25        | > 26        |
| <b>Vertical Pattern:</b>                    |     |                                    |             |             |             |             |
| Elevation Beamwidth                         | °   | 10.0 ± 0.6                         | 9.3 ± 0.5   | 8.8 ± 0.5   | 7.8 ± 0.3   | 7.1 ± 0.4   |
| Electrical Downtilt continuously adjustable | °   | 2.0 – 12.0                         |             |             |             |             |
| Tilt Accuracy                               | °   | < 0.9                              | < 0.8       | < 0.6       | < 0.5       | < 0.5       |
| First Upper Sidelobe Suppression            | dB  | > 17                               | > 18        | > 18        | > 17        | > 14        |
| Intra-Cluster Isolation                     | dB  | > 28 (MB/LB)<br>> 26 (MB/MB)       |             |             |             |             |
| Port to Port Isolation                      | dB  | > 26 (Y1 // Y2, Y3)                |             |             |             |             |
| Max. Effective Power per Port               | W   | 250 (at 50 °C ambient temperature) |             |             |             |             |

Values based on NGMN-P-BASTA (version 11.1) requirements.

| Center, upper midband                       |     | Y2, connector 7–8                  |             |             |             |             |
|---|-----|------------------------------------|-------------|-------------|-------------|-------------|
| Frequency Range                             | MHz | 1695 – 1880                        | 1850 – 1990 | 1920 – 2170 | 2300 – 2500 | 2490 – 2690 |
| Gain at mid Tilt                            | dBi | 15.4                               | 15.7        | 16.2        | 16.3        | 16.3        |
| Gain over all Tilts                         | dBi | 15.4 ± 0.4                         | 15.7 ± 0.8  | 16.1 ± 0.7  | 16.3 ± 0.6  | 16.3 ± 0.6  |
| <b>Horizontal Pattern:</b>                  |     |                                    |             |             |             |             |
| Azimuth Beamwidth                           | °   | 59 ± 3.5                           | 58 ± 3.4    | 57 ± 4.7    | 59 ± 2.7    | 63 ± 3.2    |
| Front-to-Back Ratio, Total Power, ± 30°     | dB  | > 27                               | > 25        | > 26        | > 28        | > 29        |
| <b>Vertical Pattern:</b>                    |     |                                    |             |             |             |             |
| Elevation Beamwidth                         | °   | 11.3 ± 0.7                         | 10.6 ± 0.4  | 10.1 ± 0.7  | 8.7 ± 0.3   | 7.8 ± 0.5   |
| Electrical Downtilt continuously adjustable | °   | 2.0 – 12.0                         |             |             |             |             |
| Tilt Accuracy                               | °   | < 1.0                              | < 0.9       | < 0.8       | < 0.8       | < 0.8       |
| First Upper Sidelobe Suppression            | dB  | > 18                               | > 18        | > 18        | > 18        | > 14        |
| Intra-Cluster Isolation                     | dB  | > 28 (MB/LB)<br>> 26 (MB/MB)       |             |             |             |             |
| Port to Port Isolation                      | dB  | > 26 (Y2 // Y1, Y3)                |             |             |             |             |
| Max. Effective Power per Port               | W   | 250 (at 50 °C ambient temperature) |             |             |             |             |

Values based on NGMN-P-BASTA (version 11.1) requirements.

| Right side, upper midband                   |     | Y3, connector 9–10                 |             |             |             |             |
|---|-----|------------------------------------|-------------|-------------|-------------|-------------|
| Frequency Range                             | MHz | 1695 – 1880                        | 1850 – 1990 | 1920 – 2170 | 2300 – 2500 | 2490 – 2690 |
| Gain at mid Tilt                            | dBi | 15.7                               | 15.7        | 15.7        | 15.8        | 16.1        |
| Gain over all Tilts                         | dBi | 15.6 ± 0.6                         | 15.6 ± 0.7  | 15.6 ± 0.6  | 15.7 ± 0.5  | 16.0 ± 0.5  |
| <b>Horizontal Pattern:</b>                  |     |                                    |             |             |             |             |
| Azimuth Beamwidth                           | °   | 64 ± 4.7                           | 68 ± 6.1    | 66 ± 6.5    | 58 ± 3.4    | 53 ± 4.0    |
| Front-to-Back Ratio, Total Power, ± 30°     | dB  | > 26                               | > 25        | > 24        | > 24        | > 25        |
| <b>Vertical Pattern:</b>                    |     |                                    |             |             |             |             |
| Elevation Beamwidth                         | °   | 10.1 ± 0.7                         | 9.4 ± 0.6   | 8.8 ± 0.5   | 7.8 ± 0.3   | 7.1 ± 0.4   |
| Electrical Downtilt continuously adjustable | °   | 2.0 – 12.0                         |             |             |             |             |
| Tilt Accuracy                               | °   | < 0.8                              | < 0.9       | < 0.7       | < 0.7       | < 0.7       |
| First Upper Sidelobe Suppression            | dB  | > 19                               | > 18        | > 17        | > 19        | > 15        |
| Intra-Cluster Isolation                     | dB  | > 28 (MB/LB)<br>> 26 (MB/MB)       |             |             |             |             |
| Port to Port Isolation                      | dB  | > 26 (Y3 // Y1, Y2)                |             |             |             |             |
| Max. Effective Power per Port               | W   | 250 (at 50 °C ambient temperature) |             |             |             |             |

Values based on NGMN-P-BASTA (version 11.1) requirements.

| Center, lower midband |     | Y4, connector 11–18 |             |
|-----------------------|-----|---------------------|-------------|
| Frequency Range       | MHz | 2300 – 2500         | 2490 – 2690 |

### Unit Beam

|                            |     |            |            |
|----------------------------|-----|------------|------------|
| Gain Over All Tilts        | dBi | 14.4 ± 0.7 | 14.7 ± 0.6 |
| Gain Mid Tilt              | dBi | 14.4       | 14.7       |
| Horizontal Beamwidth       | °   | 86 ± 6     | 89 ± 6     |
| Vertical Beamwidth         | °   | 7.4 ± 0.7  | 6.9 ± 0.8  |
| Upper Sidelobe Suppression | dB  | ≥ 15       | ≥ 16       |
| Front-to-Back Ratio        | dB  | ≥ 24       | ≥ 25       |
| Cross-polarization @ 0°    | dB  | ≥ 16       | ≥ 18       |

### Broadcast Beam

|                            |     |            |            |
|----------------------------|-----|------------|------------|
| Gain Over All Tilts        | dBi | 14.8 ± 0.5 | 15.3 ± 0.5 |
| Gain Mid Tilt              | dBi | 14.8       | 15.3       |
| Horizontal Beamwidth       | °   | 65 ± 5     | 63 ± 5     |
| Vertical Beamwidth         | °   | 7.3 ± 0.4  | 6.8 ± 0.4  |
| Upper Sidelobe Suppression | dB  | ≥ 15       | ≥ 15       |
| Front-to-Back Ratio        | dB  | ≥ 26       | ≥ 26       |
| Cross-polarization @ 0°    | dB  | ≥ 26       | ≥ 26       |
| Cross-polarization @ ±60°  | dB  | ≥ 8        | ≥ 8        |

### Service Beam

|  |     |            |            |
|--|-----|------------|------------|
| Gain Over All Tilts                            | dBi | 19.3 ± 0.5 | 20.3 ± 0.5 |
| Gain Mid Tilt                                  | dBi | 19.3       | 20.3       |
| Horizontal Beamwidth @ 0° direction            | °   | 25 ± 2     | 24 ± 2     |
| Horizontal Sidelobe Suppression @ 0° direction | dB  | ≥ 12       | ≥ 12       |
| Front-to-Back Ratio @ 0° direction             | dB  | ≥ 30       | ≥ 30       |
| Cross-polarization @ 0° direction              | dB  | ≥ 26       | ≥ 26       |

### Multi Beam

|                            |     |            |            |
|----------------------------|-----|------------|------------|
| Gain                       | dBi | 19.0 ± 0.5 | 19.5 ± 0.6 |
| Horizontal Beamwidth       | °   | 31 ± 4     | 28 ± 4     |
| Vertical Beamwidth         | °   | 7.3 ± 0.4  | 6.8 ± 0.4  |
| Upper Sidelobe Suppression | dB  | ≥ 15       |            |
| Front-to-Back Ratio        | dB  | ≥ 25       |            |
| Cross-polarization @ 0°    | dB  | ≥ 17       |            |

Values based on NGMN-P-BASTA (version 11.1) requirements.

## Electrical specifications, all ports

|   |          |                                     |
|---|----------|-------------------------------------|
| Impedance                               | $\Omega$ | 50                                  |
| VSWR                                    |          | < 1.5                               |
| Return Loss                             | dB       | > 14                                |
| Inter-Cluster Isolation                 | dB       | > 28                                |
| Passive Intermodulation (R1, R2, Y1–Y3) | dBc      | < -153 (2 x 43 dBm carrier)         |
| Polarization                            | °        | +45, -45                            |
| Max. Effective Power for the Antenna    | W        | 1000 (at 50 °C ambient temperature) |

Values based on NGMN-P-BASTA (version 11.1) requirements.

**Material:**

**Reflector screen and dipoles:** Aluminum.

**Fiberglass housing:** It covers totally the internal antenna components. The special design reduces the sealing areas to a minimum and guarantees the best weather protection. Fiberglass material guarantees optimum performance with regards to stability, stiffness, UV resistance and painting. The color of the radome is light grey.

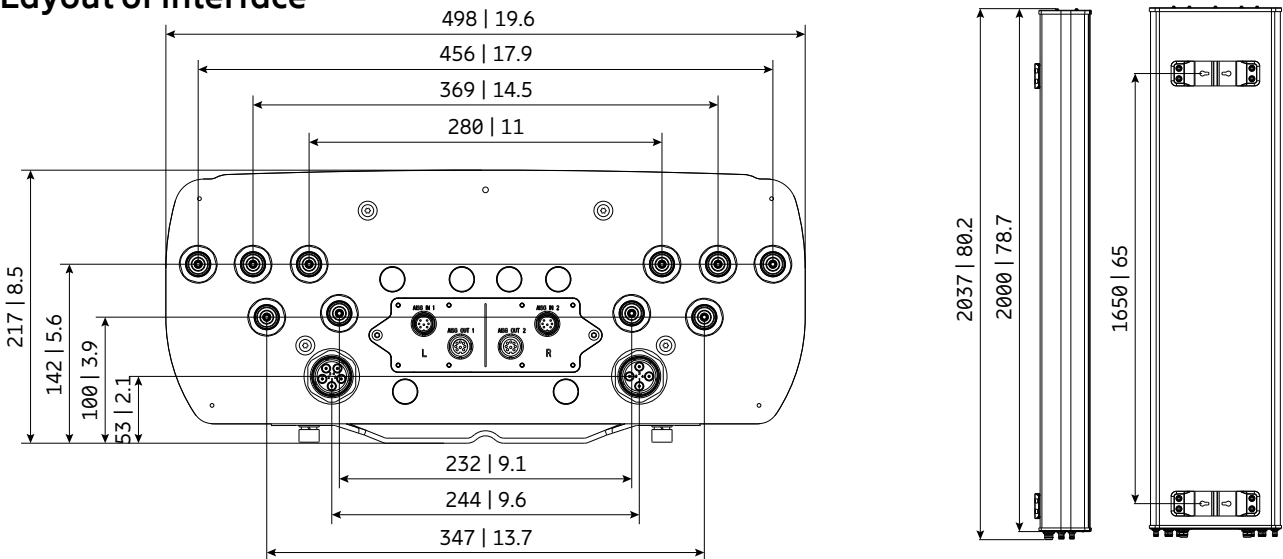
**All nuts and bolts:** Stainless steel or hot-dip galvanized steel.

**Grounding:** The metal parts of the antenna including the mounting kit and the inner conductors are DC grounded.

## Mechanical specifications

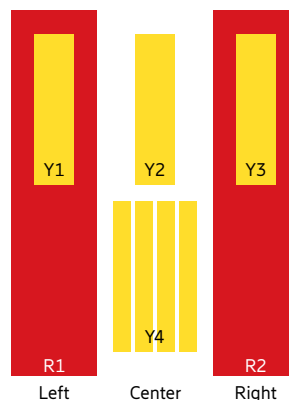
|   |   |   |
|---|---|---|
| Input                                     | 10x 4.3-10 female,<br>1x MQ4 male,<br>1x MQ5 male   |   |
| Connector Position                        | bottom  |   |
| Adjustment Mechanism                      | Integrated RET,<br>continuously adjustable  |   |
| Wind load (at Rated Wind Speed: 150 km/h) | N   lbf   | Frontal: 1215   273<br>Maximal: 1215   273                |
| Max. Wind Velocity                        | km/h<br>mph   | 200<br>124  |
| Height / Width / Depth                    | mm<br>inches  | 2000 / 498 / 192<br>78.7 / 19.6 / 7.6                     |
| Weight                                    | kg<br>lb  | 42.8 / 50.8 (clamps incl.)<br>94.3 / 111.9 (clamps incl.) |
| Packing Size                              | mm<br>inches  | 2345 / 550 / 265<br>92.3 / 21.7 / 10.4                    |
| Scope of Supply                           | Antenna, mounting kit<br>(50–115 mm)<br>incl. mech. Tilt-kit ( $0^\circ$ – $12^\circ$ )<br>SXA 120 130/2,<br>integr. RET KRY 121 78/3 |   |

## Layout of interface



## Correlation Table

| Frequency range | Array | Connector / Ports |
|-----------------|-------|-------------------|
| 698–960 MHz     | R1    | 1–2               |
| 698–960 MHz     | R2    | 3–4               |
| 1695–2690 MHz   | Y1    | 5–6               |
| 1695–2690 MHz   | Y2    | 7–8               |
| 1695–2690 MHz   | Y3    | 9–10              |
| 2300–2690 MHz   | Y4    | 11–18             |





# Antenna 6600 2L 8M 2.0m

800442802

Capacity

Compact

Coverage

65° | 2x 698–960 MHz | 15.2 dBi  
 65° | 2x 1427–2690 MHz | 15.9 dBi  
 65° | 2x 2300–2690 MHz | 15.5 dBi  
 90° | 4x 3300–3800 MHz | 15.4 dBi  
 FlexRET RAE



[ericsson.com/antenna-system](https://ericsson.com/antenna-system)



Scan or [click](#)

| Left side, lowband                          |     | R1, connector 1–2                  |            |            |            |
|---|-----|------------------------------------|------------|------------|------------|
| Frequency Range                             | MHz | 698 – 806                          | 791 – 862  | 824 – 894  | 880 – 960  |
| Gain at mid Tilt                            | dBi | 14.4                               | 14.8       | 14.9       | 15.1       |
| Gain over all Tilts                         | dBi | 14.4 ± 0.5                         | 14.8 ± 0.2 | 14.9 ± 0.3 | 15.1 ± 0.4 |
| <b>Horizontal Pattern:</b>                  |     |                                    |            |            |            |
| Azimuth Beamwidth                           | °   | 66 ± 7.1                           | 60 ± 5.0   | 58 ± 5.4   | 55 ± 4.9   |
| Front-to-Back Ratio, Total Power, ± 30°     | dB  | > 21                               | > 22       | > 22       | > 21       |
| <b>Vertical Pattern:</b>                    |     |                                    |            |            |            |
| Elevation Beamwidth                         | °   | 11.8 ± 0.7                         | 11.2 ± 0.5 | 10.8 ± 0.7 | 10.3 ± 0.8 |
| Electrical Downtilt continuously adjustable | °   | 2.5 – 11.5                         |            |            |            |
| Tilt Accuracy                               | °   | < 0.9                              | < 0.5      | < 0.7      | < 1.1      |
| First Upper Side Lobe Suppression           | dB  | > 16                               | > 17       | > 18       | > 16       |
| Cross Polar Isolation                       | dB  | > 25                               |            |            |            |
| Port to Port Isolation                      | dB  | >25 (R1 // R2, Y1, Y2, Y3, Y4, P1) |            |            |            |
| Max. Effective Power per Port               | W   | 400 (at 50 °C ambient temperature) |            |            |            |

Values based on NGMN-P-BASTA (version 10.0) requirements.

| Right side, lowband                         |     | R2, connector 3–4                  |            |            |            |
|---|-----|------------------------------------|------------|------------|------------|
| Frequency Range                             | MHz | 698 – 806                          | 791 – 862  | 824 – 894  | 880 – 960  |
| Gain at mid Tilt                            | dBi | 14.3                               | 14.8       | 15.0       | 15.2       |
| Gain over all Tilts                         | dBi | 14.3 ± 0.6                         | 14.8 ± 0.3 | 14.9 ± 0.4 | 15.1 ± 0.3 |
| <b>Horizontal Pattern:</b>                  |     |                                    |            |            |            |
| Azimuth Beamwidth                           | °   | 66 ± 7.4                           | 60 ± 4.6   | 58 ± 5.5   | 55 ± 6.1   |
| Front-to-Back Ratio, Total Power, ± 30°     | dB  | > 21                               | > 21       | > 21       | > 22       |
| <b>Vertical Pattern:</b>                    |     |                                    |            |            |            |
| Elevation Beamwidth                         | °   | 11.9 ± 0.8                         | 11.2 ± 0.5 | 10.9 ± 0.7 | 10.3 ± 0.9 |
| Electrical Downtilt continuously adjustable | °   | 2.5 – 11.5                         |            |            |            |
| Tilt Accuracy                               | °   | < 0.7                              | < 0.6      | < 0.7      | < 1.1      |
| First Upper Side Lobe Suppression           | dB  | > 16                               | > 17       | > 18       | > 17       |
| Cross Polar Isolation                       | dB  | > 25                               |            |            |            |
| Port to Port Isolation                      | dB  | >25 (R2 // R1, Y1, Y2, Y3, Y4, P1) |            |            |            |
| Max. Effective Power per Port               | W   | 400 (at 50 °C ambient temperature) |            |            |            |

Values based on NGMN-P-BASTA (version 10.0) requirements.

| Left side, lower midband                    |     | Y1, connector 5–6                  |             |
|---|-----|------------------------------------|-------------|
| Frequency Range                             | MHz | 2300 – 2400                        | 2490 – 2690 |
| Gain at mid Tilt                            | dBi | 15.5                               | 15.5        |
| Gain over all Tilts                         | dBi | 15.5 ± 0.4                         | 15.5 ± 0.5  |
| <b>Horizontal Pattern:</b>                  |     |                                    |             |
| Azimuth Beamwidth                           | °   | 71 ± 3.9                           | 66 ± 9.5    |
| Front-to-Back Ratio, Total Power, ± 30°     | dB  | > 25                               | > 20        |
| <b>Vertical Pattern:</b>                    |     |                                    |             |
| Elevation Beamwidth                         | °   | 8.6 ± 0.5                          | 7.8 ± 0.5   |
| Electrical Downtilt continuously adjustable | °   | 2.0 – 12.0                         |             |
| Tilt Accuracy                               | °   | < 0.4                              | < 0.5       |
| First Upper Side Lobe Suppression           | dB  | > 17                               | > 21        |
| Cross Polar Isolation                       | dB  | > 25                               |             |
| Port to Port Isolation                      | dB  | >25 (Y1 // R1, R2, Y2, Y3, Y4, P1) |             |
| Max. Effective Power per Port               | W   | 200 (at 50 °C ambient temperature) |             |

Values based on NGMN-P-BASTA (version 1.0.0) requirements.

| Left side, upper midband                    |     | Y2, connector 7–8                  |             |             |             |             |             |
|---|-----|------------------------------------|-------------|-------------|-------------|-------------|-------------|
| Frequency Range                             | MHz | 1427 – 1518                        | 1695 – 1880 | 1850 – 1990 | 1920 – 2200 | 2300 – 2400 | 2490 – 2690 |
| Gain at mid Tilt                            | dBi | 15.1                               | 15.6        | 15.7        | 15.8        | 15.8        | 15.9        |
| Gain over all Tilts                         | dBi | 15.1 ± 0.3                         | 15.5 ± 0.4  | 15.6 ± 0.5  | 15.8 ± 0.6  | 15.7 ± 0.6  | 15.8 ± 0.7  |
| <b>Horizontal Pattern:</b>                  |     |                                    |             |             |             |             |             |
| Azimuth Beamwidth                           | °   | 66 ± 6.1                           | 68 ± 4.8    | 70 ± 4.7    | 68 ± 4.5    | 64 ± 5.1    | 56 ± 4.4    |
| Front-to-Back Ratio, Total Power, ± 30°     | dB  | > 25                               | > 28        | > 28        | > 28        | > 28        | > 27        |
| <b>Vertical Pattern:</b>                    |     |                                    |             |             |             |             |             |
| Elevation Beamwidth                         | °   | 11.3 ± 0.7                         | 9.7 ± 0.5   | 9.2 ± 0.5   | 8.7 ± 0.6   | 8.0 ± 0.3   | 7.5 ± 0.5   |
| Electrical Downtilt continuously adjustable | °   | 2.0 – 12.0                         |             |             |             |             |             |
| Tilt Accuracy                               | °   | < 0.4                              | < 0.5       | < 0.4       | < 0.3       | < 0.2       | < 0.4       |
| First Upper Side Lobe Suppression           | dB  | > 14                               | > 18        | > 17        | > 17        | > 17        | > 15        |
| Cross Polar Isolation                       | dB  | > 25                               |             |             |             |             |             |
| Port to Port Isolation                      | dB  | >25 (Y2 // R1, R2, Y1, Y3, Y4, P1) |             |             |             |             |             |
| Max. Effective Power per Port               | W   | 200 (at 50 °C ambient temperature) |             |             |             |             |             |

Values based on NGMN-P-BASTA (version 10.0) requirements.



## Right side, lower midband

## Y3, connector 9–10

| Frequency Range                             | MHz | 2300 – 2400                        | 2490 – 2690 |
|---|-----|------------------------------------|-------------|
| Gain at mid Tilt                            | dBi | 15.4                               | 15.5        |
| Gain over all Tilts                         | dBi | 15.4 ± 0.5                         | 15.5 ± 0.6  |
| <b>Horizontal Pattern:</b>                  |     |                                    |             |
| Azimuth Beamwidth                           | °   | 72 ± 5.1                           | 64 ± 7.1    |
| Front-to-Back Ratio, Total Power, ± 30°     | dB  | > 24                               | > 21        |
| <b>Vertical Pattern:</b>                    |     |                                    |             |
| Elevation Beamwidth                         | °   | 8.8 ± 0.5                          | 8.0 ± 0.5   |
| Electrical Downtilt continuously adjustable | °   | 2.0 – 12.0                         |             |
| Tilt Accuracy                               | °   | < 0.5                              | < 0.4       |
| First Upper Side Lobe Suppression           | dB  | > 20                               | > 22        |
| Cross Polar Isolation                       | dB  | > 25                               |             |
| Port to Port Isolation                      | dB  | >25 (Y3 // R1, R2, Y1, Y2, Y4, P1) |             |
| Max. Effective Power per Port               | W   | 200 (at 50 °C ambient temperature) |             |

Values based on NGMN-P-BASTA (version 10.0) requirements.

## Right side, upper midband

## Y4, connector 11–12

| Frequency Range                             | MHz | 1427 – 1518                        | 1695 – 1880 | 1850 – 1990 | 1920 – 2200 | 2300 – 2400 | 2490 – 2690 |
|---|-----|------------------------------------|-------------|-------------|-------------|-------------|-------------|
| Gain at mid Tilt                            | dBi | 15.1                               | 15.6        | 15.7        | 15.9        | 15.9        | 15.9        |
| Gain over all Tilts                         | dBi | 15.1 ± 0.2                         | 15.6 ± 0.4  | 15.6 ± 0.6  | 15.8 ± 0.6  | 15.8 ± 0.5  | 15.9 ± 0.6  |
| <b>Horizontal Pattern:</b>                  |     |                                    |             |             |             |             |             |
| Azimuth Beamwidth                           | °   | 66 ± 5.6                           | 67 ± 3.8    | 69 ± 5.4    | 67 ± 6.6    | 64 ± 6.1    | 56 ± 4.9    |
| Front-to-Back Ratio, Total Power, ± 30°     | dB  | > 24                               | > 28        | > 27        | > 27        | > 28        | > 27        |
| <b>Vertical Pattern:</b>                    |     |                                    |             |             |             |             |             |
| Elevation Beamwidth                         | °   | 11.1 ± 0.8                         | 9.7 ± 0.4   | 9.1 ± 0.4   | 8.7 ± 0.5   | 8.0 ± 0.4   | 7.5 ± 0.4   |
| Electrical Downtilt continuously adjustable | °   | 2.0 – 12.0                         |             |             |             |             |             |
| Tilt Accuracy                               | °   | < 0.5                              | < 0.7       | < 0.6       | < 0.6       | < 0.5       | < 0.6       |
| First Upper Side Lobe Suppression           | dB  | > 13                               | > 18        | > 18        | > 18        | > 18        | > 14        |
| Cross Polar Isolation                       | dB  | > 25                               |             |             |             |             |             |
| Port to Port Isolation                      | dB  | >25 (Y4 // R1, R2, Y1, Y2, Y3, P1) |             |             |             |             |             |
| Max. Effective Power per Port               | W   | 200 (at 50 °C ambient temperature) |             |             |             |             |             |

Values based on NGMN-P-BASTA (version 10.0) requirements.

| Center, lower midband                       |     | P1, connector 13–14  |             |             |
|---|-----|--|-------------|-------------|
| Frequency Range                             | MHz | 3300 – 3400  | 3400 – 3600 | 3600 – 3800 |
| <b>Unit Beam</b>                            |     |  |             |             |
| Gain at mid Tilt                            | dBi | 15.2   | 15.4        | 15.2        |
| <b>Horizontal Pattern:</b>                  |     |  |             |             |
| Azimuth Beamwidth                           | °   | 73   | 72          | 72          |
| Front-to-Back Ratio, Total Power, ± 30°     | dB  | > 24   | > 24        | > 23        |
| <b>Vertical Pattern:</b>                    |     |  |             |             |
| Elevation Beamwidth                         | °   | 5.8  | 5.6         | 5.4         |
| Electrical Downtilt continuously adjustable | °   | 2.0 – 12.0   |             |             |
| Tilt Accuracy                               | °   | < 0.7  | < 0.7       | < 0.7       |
| First Upper Side Lobe Suppression           | dB  | > 12   | > 11        | > 10        |
| Cross Polar Isolation                       | dB  | > 25   |             |             |
| Port to Port Isolation                      | dB  | > 25 (P1 // R1, R2, Y1, Y2, Y3, Y4)<br>> 22 (P1 (L) // P1 (CL) // P1 (CR) // P1 (R)) |             |             |
| Max. Effective Power per Port               | W   | 40 (at 50 °C ambient temperature)  |             |             |

Values based on NGMN-P-BASTA (version 10.0) requirements.

## Broadcast Beam

| Frequency Range              | MHz | 3300 – 3400 | 3400 – 3600 | 3600 – 3800 |
|------------------------------|-----|-------------|-------------|-------------|
| Azimuth 3dB Beamwidth        | °   | 69          | 69          | 66          |
| Gain over all Tilts          | dB  | 15.8        | 15.8        | 15.6        |
| Gain roll-off at Sector Edge | dB  | 12          | 10          | 12          |
| Cross Polar Ratio (0°)       | dB  | > 14        | > 17        | > 15        |
| Front-to-back Ratio          | dB  | > 25        | > 25        | > 24        |

## Service Beam

|   |    |        |        |        |
|---|----|--------|--------|--------|
| 0° Direct Beam Gain over all Tilts            | dB | 20.2   | 20.4   | 20.6   |
| 0° Direction Beam Horizontal 3dB Beam Width   | °  | 25     | 24     | 22     |
| 0° Direction Beam Horizontal SLS              | dB | > 14.5 | > 15.2 | > 16.0 |
| 0° Direction Beam Cross polar Ratio           | dB | > 17   | > 17   | > 14   |
| 0° Direction Beam Front-to-Back Ratio         | dB | > 29   | > 29   | > 27   |
| ±30° Direct Beam Gain over all Tilts          | dB | 19.0   | 19.2   | 19.4   |
| ±30° Direction Beam Horizontal 3dB Beam Width | °  | 27.0   | 28.0   | 23.0   |

## Calibration and electrical parameters

|   |    |         |
|---|----|---------|
| Coupling factor between one antenna port and cal port         | dB | -26 ± 1 |
| Max. amplitude tolerance from calibration port to input ports | dB | ±1      |
| Max. phase tolerance cal network                              | °  | ±10     |

## Electrical specifications, all ports

|                                      |          |                                     |
|--------------------------------------|----------|-------------------------------------|
| Impedance                            | $\Omega$ | 50                                  |
| VSWR                                 |          | < 1.5                               |
| Return Loss                          | dB       | > 14                                |
| Interband Isolation                  | dB       | > 25                                |
| Passive Intermodulation (FDD bands)  | dBc      | < -153 (2 x 43 dBm carrier)*        |
| Polarization                         | °        | +45, -45                            |
| Max. Effective Power for the Antenna | W        | 1200 (at 50 °C ambient temperature) |

Values based on NGMN-P-BASTA (version 10.0) requirements.

\* not applicable for L-band

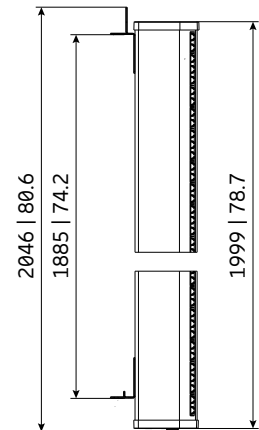
TDD ports cross PIM influence on FDD bands < -153 dBc

## Mechanical specifications

|   |   |  |
|---|---|--|
| Input                                     | 12x 4.3-10 female,<br>1x MQ4 socket (male),<br>1x MQ5 socket (male)         |  |
| Connector Position                        | bottom  |  |
| Adjustment Mechanism                      | FlexRET RAE,<br>continuously adjustable                                     |  |
| Wind load (at Rated Wind Speed: 150 km/h) | N   lbf   | Frontal: 725   163<br>Maximal: 950   214                 |
| Max. Wind Velocity                        | km/h<br>mph   | 241<br>150   |
| Height / Width / Depth                    | mm<br>inches  | 1999 / 448 / 164<br>78.7 / 17.6 / 6.5                    |
| Category of Mounting Hardware             | XM (X-Medium)   |  |
| Weight                                    | kg<br>lb  | 39.0 / 43.5 (clamps incl.)<br>86.0 / 95.9 (clamps incl.) |
| Packing Size                              | mm<br>inches  | 2150 / 510 / 293<br>84.6 / 20.1 / 11.5                   |
| Scope of Supply                           | Panel, FlexRET RAE and<br>clamps for 55–115 mm  <br>2.2–4.5 inches diameter |  |

## Accessories (order separately if required)

| Product No.   | Description          | Remarks<br>mm   inches                            | Units per antenna |
|---------------|----------------------|---|-------------------|
| 85010097      | 2 clamps             | Mast diameter: 110–220   4.3–8.7                  | 1                 |
| 85010110      | 1 downtilt kit       | Downtilt angle: 0°–10°                            | 1                 |
| 86010154      | Site Sharing Adapter | 3-way (see figure below)                          |                   |
| 86010155      | Site Sharing Adapter | 6-way (see figure below)                          |                   |
| 86010162      | Gender Adapter       | To be used in combination with the FlexRET module | 1                 |
| KRY 121 108/1 | Port Extender        |   | 1                 |



## Accessories (included in the scope of supply)

| Product No.  | Description | Remarks<br>mm   inches                                     | Units per antenna |
|--------------|-------------|--|-------------------|
| 85010111     | 2 clamps    | Mast diameter: 55–115   2.2–4.5                            | 1                 |
| 86010165 RAE | FlexRET RAE | Compliant to 3GPP / AISG 2.0 – AISG 3 – AISG-ES-RAE v2.2.0 | 1                 |

For downtilt mounting use the clamps for an appropriate mast diameter together with the downtilt kit.  
Wall mounting: No additional mounting kit needed.

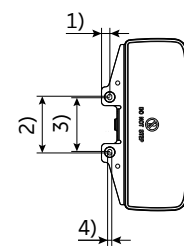
## Material:

**Reflector screen:** Aluminum.

**Fiberglass housing:** It covers totally the internal antenna components. The special design reduces the sealing areas to a minimum and guarantees the best weather protection. Fiberglass material guarantees optimum performance with regards to stability, stiffness, UV resistance and painting. The color of the radome is light grey.

## Grounding:

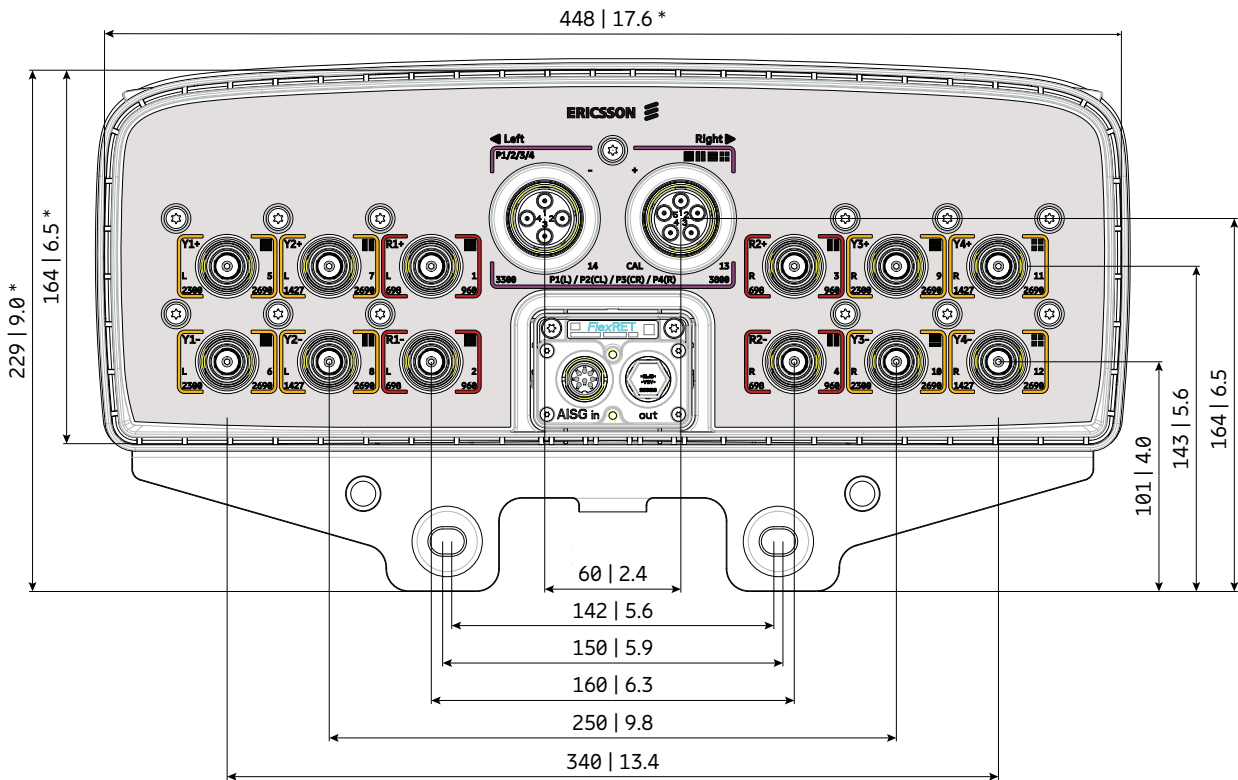
The metal parts of the antenna including the mounting kit and the inner conductors are DC grounded.



- 1) 22 | 0.9
- 2) 150 | 5.9
- 3) 142 | 5.6
- 4) 11 | 0.4

All dimensions  
in mm | inches

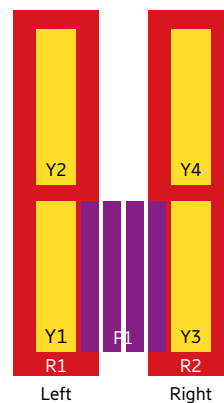
## Layout of interface



Bottom view  
\* Dimensions refer to radome  
All dimensions in mm | inches

## Correlation Table

| Frequency range | Array   | Connector / Ports |
|-----------------|---------|-------------------|
| 698–960 MHz     | R1      | 1–2               |
| 698–960 MHz     | R2      | 3–4               |
| 2300–2690 MHz   | Y1      | 5–6               |
| 1427–2690 MHz   | Y2      | 7–8               |
| 2300–2690 MHz   | Y3      | 9–10              |
| 1427–2690 MHz   | Y4      | 11–12             |
| 3300–3800 MHz   | P1 (L)  | 13.4–14.4         |
| 3300–3800 MHz   | P1 (CL) | 13.3–14.3         |
| 3300–3800 MHz   | P1 (CR) | 13.2–14.2         |
| 3300–3800 MHz   | P1 (R)  | 13.1–14.1         |



### Attention:

Risk of damage if the RF Ports are connected incorrectly.  
No RF power on CAL port allowed!



# Antenna 6600 2L 8M 2.6m

800442803

Capacity **Compact** Coverage

65° | 2x 698–960 MHz | 16.3 dBi  
65° | 2x 1427–2690 MHz | 16.9 dBi  
65° | 2x 2300–2690 MHz | 16.4 dBi  
90° | 4x 3300–3800 MHz | 15.4 dBi  
FlexRET RAE



[ericsson.com/antenna-system](https://ericsson.com/antenna-system)



Scan or [click](#)

| Left side, lowband                          |     | R1, connector 1–2                   |            |            |            |
|---|-----|-------------------------------------|------------|------------|------------|
| Frequency Range                             | MHz | 698 – 806                           | 791 – 862  | 824 – 894  | 880 – 960  |
| Gain at mid Tilt                            | dBi | 15.3                                | 15.8       | 15.9       | 16.1       |
| Gain over all Tilts                         | dBi | 15.3 ± 0.7                          | 15.8 ± 0.2 | 16.0 ± 0.4 | 16.1 ± 0.4 |
| <b>Horizontal Pattern:</b>                  |     |                                     |            |            |            |
| Azimuth Beamwidth                           | °   | 68 ± 6.7                            | 63 ± 3.2   | 60 ± 4.6   | 57 ± 3.5   |
| Front-to-Back Ratio, Total Power, ± 30°     | dB  | > 20                                | > 20       | > 20       | > 21       |
| <b>Vertical Pattern:</b>                    |     |                                     |            |            |            |
| Elevation Beamwidth                         | °   | 9.2 ± 0.6                           | 8.7 ± 0.3  | 8.4 ± 0.5  | 8.0 ± 0.5  |
| Electrical Downtilt continuously adjustable | °   | 2.5 – 10.0                          |            |            |            |
| Tilt Accuracy                               | °   | < 0.7                               | < 0.5      | < 0.5      | < 0.8      |
| First Upper Side Lobe Suppression           | dB  | > 17                                | > 18       | > 19       | > 19       |
| Cross Polar Isolation                       | dB  | > 25                                |            |            |            |
| Port to Port Isolation                      | dB  | > 27 (R1 // R2, Y1, Y2, Y3, Y4, P1) |            |            |            |
| Max. Effective Power per Port               | W   | 400 (at 50 °C ambient temperature)  |            |            |            |

Values based on NGMN-P-BASTA (version 10.0) requirements.

| Right side, lowband                         |     | R2, connector 3–4                   |            |            |            |
|---|-----|-------------------------------------|------------|------------|------------|
| Frequency Range                             | MHz | 698 – 806                           | 791 – 862  | 824 – 894  | 880 – 960  |
| Gain at mid Tilt                            | dBi | 15.3                                | 15.8       | 16.0       | 16.3       |
| Gain over all Tilts                         | dBi | 15.2 ± 0.7                          | 15.8 ± 0.3 | 15.9 ± 0.5 | 16.2 ± 0.4 |
| <b>Horizontal Pattern:</b>                  |     |                                     |            |            |            |
| Azimuth Beamwidth                           | °   | 67 ± 5.7                            | 63 ± 3.5   | 60 ± 4.7   | 56 ± 4.8   |
| Front-to-Back Ratio, Total Power, ± 30°     | dB  | > 20                                | > 19       | > 20       | > 21       |
| <b>Vertical Pattern:</b>                    |     |                                     |            |            |            |
| Elevation Beamwidth                         | °   | 9.2 ± 0.6                           | 8.7 ± 0.4  | 8.4 ± 0.5  | 7.9 ± 0.6  |
| Electrical Downtilt continuously adjustable | °   | 2.5 – 10.0                          |            |            |            |
| Tilt Accuracy                               | °   | < 0.7                               | < 0.5      | < 0.6      | < 0.9      |
| First Upper Side Lobe Suppression           | dB  | > 17                                | > 18       | > 19       | > 19       |
| Cross Polar Isolation                       | dB  | > 25                                |            |            |            |
| Port to Port Isolation                      | dB  | > 27 (R2 // R1, Y1, Y2, Y3, Y4, P1) |            |            |            |
| Max. Effective Power per Port               | W   | 400 (at 50 °C ambient temperature)  |            |            |            |

Values based on NGMN-P-BASTA (version 10.0) requirements.

| Left side, lower midband                    |     | Y1, connector 5–6                                    |             |
|---|-----|--|-------------|
| Frequency Range                             | MHz | 2300 – 2400  | 2490 – 2690 |
| Gain at mid Tilt                            | dBi | 16.3   | 16.4        |
| Gain over all Tilts                         | dBi | 16.4 ± 0.9   | 16.4 ± 1.0  |
| <b>Horizontal Pattern:</b>                  |     |  |             |
| Azimuth Beamwidth                           | °   | 69 ± 5.1   | 58 ± 8.4    |
| Front-to-Back Ratio, Total Power, ± 30°     | dB  | > 29   | > 22        |
| <b>Vertical Pattern:</b>                    |     |  |             |
| Elevation Beamwidth                         | °   | 6.4 ± 0.4  | 5.8 ± 0.4   |
| Electrical Downtilt continuously adjustable | °   | 2.0 – 12.0   |             |
| Tilt Accuracy                               | °   | < 0.6  | < 0.3       |
| First Upper Side Lobe Suppression           | dB  | > 21   | > 19        |
| Cross Polar Isolation                       | dB  | > 25   |             |
| Port to Port Isolation                      | dB  | >30 (Y1 // R1, R2, Y2, Y3, Y4)<br>>27 (Y1 // Y2, P1) |             |
| Max. Effective Power per Port               | W   | 200 (at 50 °C ambient temperature)                   |             |

Values based on NGMN-P-BASTA (version 10.0) requirements.

| Left side, upper midband                    |     | Y2, connector 7–8                                |             |             |             |             |             |
|---|-----|--|-------------|-------------|-------------|-------------|-------------|
| Frequency Range                             | MHz | 1427 – 1518                                      | 1695 – 1880 | 1850 – 1990 | 1920 – 2170 | 2300 – 2400 | 2500 – 2690 |
| Gain at mid Tilt                            | dBi | 15.8   | 16.7        | 16.9        | 16.8        | 16.6        | 16.6        |
| Gain over all Tilts                         | dBi | 15.8 ± 0.5                                       | 16.6 ± 0.5  | 16.8 ± 0.6  | 16.8 ± 0.7  | 16.7 ± 0.6  | 16.5 ± 0.6  |
| <b>Horizontal Pattern:</b>                  |     |  |             |             |             |             |             |
| Azimuth Beamwidth                           | °   | 63 ± 4.2   | 64 ± 3.3    | 65 ± 3.1    | 65 ± 3.4    | 65 ± 4.9    | 60 ± 4.1    |
| Front-to-Back Ratio, Total Power, ± 30°     | dB  | > 25   | > 27        | > 28        | > 28        | > 29        | > 28        |
| <b>Vertical Pattern:</b>                    |     |  |             |             |             |             |             |
| Elevation Beamwidth                         | °   | 8.6 ± 0.4  | 7.2 ± 0.4   | 6.7 ± 0.2   | 6.4 ± 0.4   | 5.8 ± 0.2   | 5.3 ± 0.2   |
| Electrical Downtilt continuously adjustable | °   | 2.0 – 12.0                                       |             |             |             |             |             |
| Tilt Accuracy                               | °   | < 0.3  | < 0.2       | < 0.2       | < 0.3       | < 0.3       | < 0.3       |
| First Upper Side Lobe Suppression           | dB  | > 14   | > 17        | > 18        | > 18        | > 18        | > 16        |
| Cross Polar Isolation                       | dB  | > 25   |             |             |             |             |             |
| Port to Port Isolation                      | dB  | >30 (Y2 // R1, R2, Y3, Y4, P1)<br>>27 (Y2 // Y1) |             |             |             |             |             |
| Max. Effective Power per Port               | W   | 200 (at 50 °C ambient temperature)               |             |             |             |             |             |

Values based on NGMN-P-BASTA (version 10.0) requirements.

## Right side, lower midband

## Y3, connector 9–10

| Frequency Range                             | MHz | 2300 – 2400                                      | 2490 – 2690 |
|---|-----|--|-------------|
| Gain at mid Tilt                            | dBi | 16.3   | 16.4        |
| Gain over all Tilts                         | dBi | 16.4 ± 0.6                                       | 16.4 ± 0.9  |
| <b>Horizontal Pattern:</b>                  |     |  |             |
| Azimuth Beamwidth                           | °   | 69 ± 6.4   | 60 ± 10.6   |
| Front-to-Back Ratio, Total Power, ± 30°     | dB  | > 27   | > 22        |
| <b>Vertical Pattern:</b>                    |     |  |             |
| Elevation Beamwidth                         | °   | 6.4 ± 0.4  | 5.9 ± 0.4   |
| Electrical Downtilt continuously adjustable | °   | 2.0 – 12.0                                       |             |
| Tilt Accuracy                               | °   | < 0.7  | < 0.5       |
| First Upper Side Lobe Suppression           | dB  | > 22   | > 19        |
| Cross Polar Isolation                       | dB  | > 25   |             |
| Port to Port Isolation                      | dB  | >30 (Y3 // R1, R2, Y1, Y2)<br>>27 (Y3 // Y4, P1) |             |
| Max. Effective Power per Port               | W   | 200 (at 50 °C ambient temperature)               |             |

Values based on NGMN-P-BASTA (version 10.0) requirements.

## Right side, upper midband

## Y4, connector 11–12

| Frequency Range                             | MHz | 1427 – 1518                                      | 1695 – 1880 | 1850 – 1990 | 1920 – 2170 | 2300 – 2400 | 2500 – 2690 |
|---|-----|--|-------------|-------------|-------------|-------------|-------------|
| Gain at mid Tilt                            | dBi | 16.0   | 16.7        | 16.9        | 16.8        | 16.6        | 16.6        |
| Gain over all Tilts                         | dBi | 15.9 ± 0.5                                       | 16.7 ± 0.5  | 16.8 ± 0.6  | 16.8 ± 0.7  | 16.6 ± 0.6  | 16.5 ± 0.8  |
| <b>Horizontal Pattern:</b>                  |     |  |             |             |             |             |             |
| Azimuth Beamwidth                           | °   | 62 ± 4.9   | 65 ± 3.2    | 65 ± 3.2    | 65 ± 3.9    | 66 ± 6.1    | 59 ± 4.9    |
| Front-to-Back Ratio, Total Power, ± 30°     | dB  | > 25   | > 27        | > 27        | > 27        | > 28        | > 26        |
| <b>Vertical Pattern:</b>                    |     |  |             |             |             |             |             |
| Elevation Beamwidth                         | °   | 8.7 ± 0.5  | 7.3 ± 0.5   | 6.7 ± 0.2   | 6.4 ± 0.4   | 5.8 ± 0.2   | 5.3 ± 0.2   |
| Electrical Downtilt continuously adjustable | °   | 2.0 – 12.0                                       |             |             |             |             |             |
| Tilt Accuracy                               | °   | < 0.3  | < 0.1       | < 0.2       | < 0.2       | < 0.3       | < 0.3       |
| First Upper Side Lobe Suppression           | dB  | > 15   | > 17        | > 18        | > 18        | > 17        | > 16        |
| Cross Polar Isolation                       | dB  | > 25   |             |             |             |             |             |
| Port to Port Isolation                      | dB  | >30 (Y4 // R1, R2, Y1, Y2, P1)<br>>27 (Y4 // Y3) |             |             |             |             |             |
| Max. Effective Power per Port               | W   | 200 (at 50 °C ambient temperature)               |             |             |             |             |             |

Values based on NGMN-P-BASTA (version 10.0) requirements.



| Center, lower midband                            |     | P1, connector 13–14  |             |             |
|--|-----|--|-------------|-------------|
| Frequency Range                                  | MHz | 3300 – 3400  | 3400 – 3600 | 3600 – 3800 |
| <b>Unit Beam</b>                                 |     |  |             |             |
| Gain at mid Tilt                                 | dBi | 15.2   | 15.4        | 15.2        |
| <b>Horizontal Pattern:</b>                       |     |  |             |             |
| Azimuth Beamwidth                                | °   | 73   | 72          | 72          |
| Front-to-Back Ratio, Total Power, $\pm 30^\circ$ | dB  | > 24   | > 24        | > 23        |
| <b>Vertical Pattern:</b>                         |     |  |             |             |
| Elevation Beamwidth                              | °   | 5.8  | 5.6         | 5.4         |
| Electrical Downtilt continuously adjustable      | °   | 2.0 – 12.0   |             |             |
| Tilt Accuracy                                    | °   | < 0.7  | < 0.7       | < 0.7       |
| First Upper Side Lobe Suppression                | dB  | > 12   | > 11        | > 10        |
| Cross Polar Isolation                            | dB  | > 25   |             |             |
| Port to Port Isolation                           | dB  | >28 (P1 // R1, R2, Y1, Y2, Y3, Y4)<br>>22 (P1 (L) // P1 (CL) // P1 (CR) // P1 (R)) |             |             |
| Max. Effective Power per Port                    | W   | 40 (at 50 °C ambient temperature)  |             |             |

Values based on NGMN-P-BASTA (version 10.0) requirements.

## Broadcast Beam

| Frequency Range                 | MHz | 3300 – 3400 | 3400 – 3600 | 3600 – 3800 |
|---------------------------------|-----|-------------|-------------|-------------|
| Azimuth 3dB Beamwidth           | °   | 69          | 69          | 66          |
| Gain over all Tilts             | dBi | 15.6        | 15.8        | 15.8        |
| Gain roll-off at Sector Edge    | dB  | 12          | 11          | 14          |
| Cross Polar Ratio ( $0^\circ$ ) | dB  | > 14        | > 17        | > 14        |
| Front-to-back Ratio             | dB  | > 25        | > 25        | > 25        |

## Service Beam

|   |     |        |        |        |
|---|-----|--------|--------|--------|
| $0^\circ$ Direct Beam Gain over all Tilts               | dBi | 20.2   | 20.4   | 20.6   |
| $0^\circ$ Direction Beam Horizontal 3dB Beam Width      | °   | 25     | 24     | 22     |
| $0^\circ$ Direction Beam Horizontal SLS                 | dB  | > 14.5 | > 15.2 | > 16.0 |
| $0^\circ$ Direction Beam Cross polar Ratio              | dB  | > 17   | > 17   | > 14   |
| $0^\circ$ Direction Beam Front-to-Back Ratio            | dB  | > 29   | > 29   | > 27   |
| $\pm 30^\circ$ Direct Beam Gain over all Tilts          | dBi | 18.8   | 19.2   | 19.4   |
| $\pm 30^\circ$ Direction Beam Horizontal 3dB Beam Width | °   | 29.0   | 28.0   | 23.0   |

## Calibration and electrical parameters

|   |    |             |
|---|----|-------------|
| Coupling factor between one antenna port and cal port         | dB | $-26 \pm 1$ |
| Max. amplitude tolerance from calibration port to input ports | dB | $\pm 1$     |
| Max. phase tolerance cal network                              | °  | $\pm 10$    |

## Electrical specifications, all ports

|                                      |          |                                     |
|--------------------------------------|----------|-------------------------------------|
| Impedance                            | $\Omega$ | 50                                  |
| VSWR                                 |          | < 1.5                               |
| Return Loss                          | dB       | > 14                                |
| Interband Isolation                  | dB       | > 23                                |
| Passive Intermodulation (FDD)        | dBc      | < -153 (2 x 43 dBm carrier)*        |
| Polarization                         | °        | +45, -45°                           |
| Max. Effective Power for the Antenna | W        | 1200 (at 50 °C ambient temperature) |

Values based on NGMN-P-BASTA (version 10.0) requirements.

\* not applicable for L-band

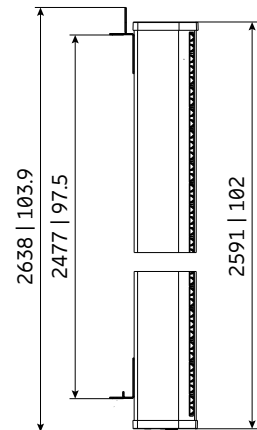
TDD ports cross PIM influence on FDD bands < -153 dBc

## Mechanical specifications

|   |              |   |
|---|--------------|---|
| Input                                     |              | 12x 4.3-10 female,<br>1x MQ4 socket (male),<br>1x MQ5 socket (male)     |
| Connector Position                        |              | bottom  |
| Adjustment Mechanism                      |              | FlexRET,<br>continuously adjustable                                     |
| Wind load (at Rated Wind Speed: 150 km/h) | N   lbf      | Frontal: 965   217<br>Maximal: 1270   286                               |
| Max. Wind Velocity                        | km/h<br>mph  | 241<br>150  |
| Height / Width / Depth                    | mm<br>inches | 2591 / 448 / 164<br>102.0 / 17.6 / 6.5                                  |
| Category of Mounting Hardware             |              | XM (X-Medium)   |
| Weight (approx.)                          | kg<br>lb     | 48.5 / 53.0 (clamps incl.)<br>106.9 / 116.8 (clamps incl.)              |
| Packing Size                              | mm<br>inches | 2745 / 510 / 293<br>108.1 / 20.1 / 11.5                                 |
| Scope of Supply                           |              | Panel, FlexRET and<br>clamps for 55–115 mm  <br>2.2–4.5 inches diameter |

## Accessories (order separately if required)

| Product No.   | Description          | Remarks<br>mm   inches                            | Units per antenna |
|---------------|----------------------|---|-------------------|
| 85010097      | 2 clamps             | Mast diameter: 110–220   4.3–8.7                  | 1                 |
| 85010110      | 1 downtilt kit       | Downtilt angle: 0°–9°                             | 1                 |
| 86010154      | Site Sharing Adapter | 3-way (see figure below)                          |                   |
| 86010155      | Site Sharing Adapter | 6-way (see figure below)                          |                   |
| 86010162      | Gender Adapter       | To be used in combination with the FlexRET module | 1                 |
| KRY 121 108/1 | Port Extender        |   | 1                 |



## Accessories (included in the scope of supply)

| Product No. | Description | Remarks<br>mm   inches                                     | Units per antenna |
|-------------|-------------|--|-------------------|
| 85010111    | 2 clamps    | Mast diameter: 55–115   2.2–4.5                            | 1                 |
| 86010165RAE | FlexRET RAE | Compliant to 3GPP / AISG 2.0 – AISG 3 – AISG-ES-RAE v2.2.0 | 1                 |

For downtilt mounting use the clamps for an appropriate mast diameter together with the downtilt kit.  
Wall mounting: No additional mounting kit needed.

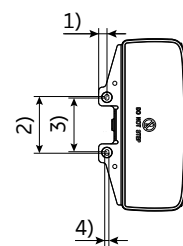
## Material:

**Reflector screen:** Aluminum.

**Fiberglass housing:** It covers totally the internal antenna components. The special design reduces the sealing areas to a minimum and guarantees the best weather protection. Fiberglass material guarantees optimum performance with regards to stability, stiffness, UV resistance and painting. The color of the radome is light grey.

## Grounding:

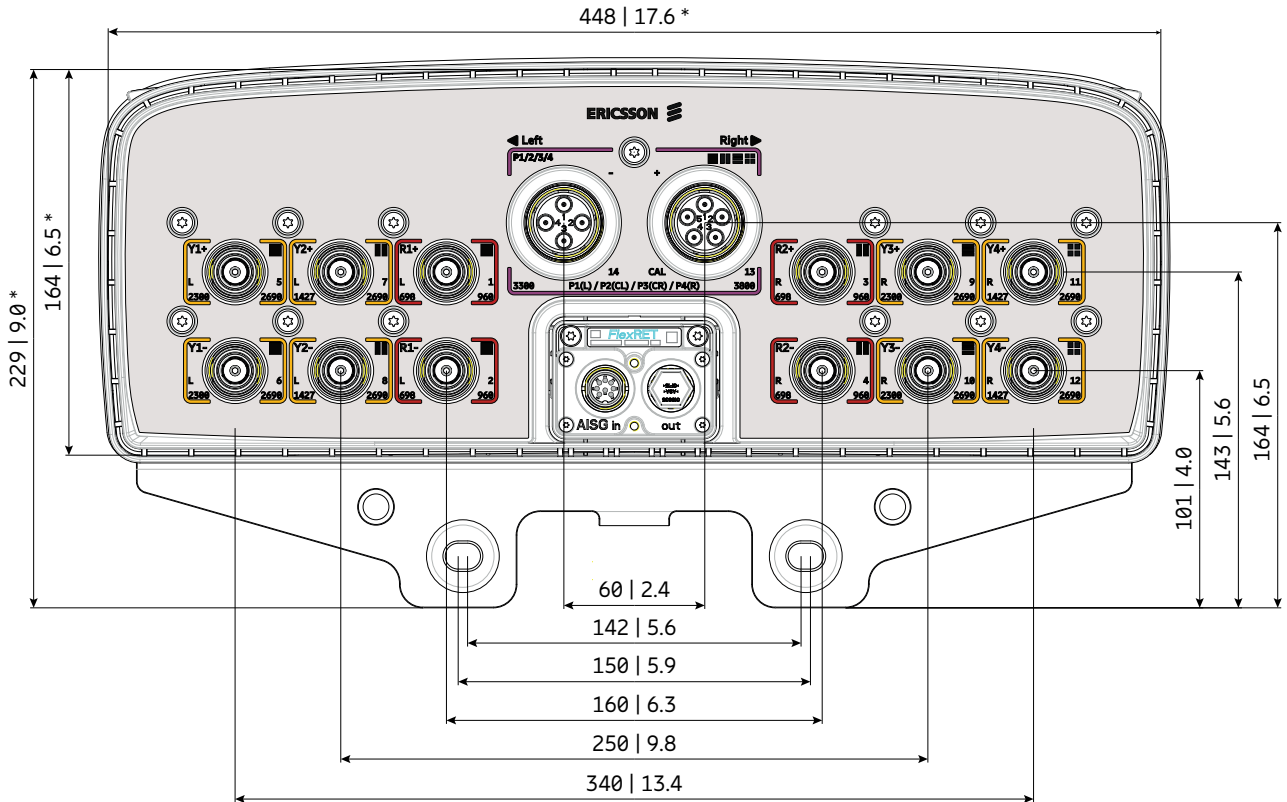
The metal parts of the antenna including the mounting kit and the inner conductors are DC grounded.



- 1) 22 | 0.9
- 2) 150 | 5.9
- 3) 142 | 5.6
- 4) 11 | 0.4

All dimensions  
in mm | inches

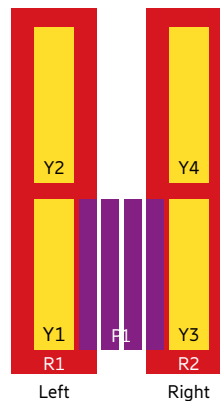
## Layout of interface



Bottom view  
\* Dimensions refer to radome  
All dimensions in mm | inches

## Correlation Table

| Frequency range | Array   | Connector / Ports |
|-----------------|---------|-------------------|
| 698–960 MHz     | R1      | 1–2               |
| 698–960 MHz     | R2      | 3–4               |
| 2300–2690 MHz   | Y1      | 5–6               |
| 1427–2690 MHz   | Y2      | 7–8               |
| 2300–2690 MHz   | Y3      | 9–10              |
| 1427–2690 MHz   | Y4      | 11–12             |
| 3300–3800 MHz   | P1 (L)  | 13.4–14.4         |
| 3300–3800 MHz   | P1 (CL) | 13.3–14.3         |
| 3300–3800 MHz   | P1 (CR) | 13.2–14.2         |
| 3300–3800 MHz   | P1 (R)  | 13.1–14.1         |



### Attention:

Risk of damage if the RF Ports are connected incorrectly.  
No RF power on CAL port allowed!

# Dual-Beam Configuration nMB

Capacity

Compact

Coverage

| Product Name<br>Product No.                               | Frequency MHz                | HPBW °   | Gain dBi     | Tilt °       | Connector type | Page                | 3C |
|---|------------------------------|----------|--------------|--------------|----------------|---------------------|----|
| <b>2x Midband</b>   |                              |          |              |              |                |                     |    |
| <a href="#">Antenna 2282 0L 2M 1.1m</a><br>KRE 101 2557/1 | 2x 1695–2690                 | 32       | 19.5         | 2–12         | 4.3-10         | <a href="#">441</a> |    |
| <b>4x Midband</b>   |                              |          |              |              |                |                     |    |
| <a href="#">Antenna 2480 0L 4M 1.8m</a><br>KRE 101 2405/1 | 2x 1695–2690<br>2x 1695–2690 | 32<br>32 | 18.9<br>18.3 | 2–12<br>2–12 | 4.3-10         | <a href="#">444</a> |    |
| <a href="#">Antenna 2480 0L 4M 2.0m</a><br>KRE 101 2538/1 | 2x 1695–2690<br>2x 1695–2690 | 33<br>33 | 19.0<br>18.5 | 2–12<br>2–12 | 4.3-10         | <a href="#">449</a> |    |

[New product](#)



# Antenna 2282 0L 2M 1.1m

KRE 101 2557/1

Capacity

Compact

Coverage

32° | 2x 1695–2690 MHz | 19.5 dBi  
Electrical downtilt set by integrated RET



[ericsson.com/antenna-system](https://ericsson.com/antenna-system)



Scan or [click](#)

| Left side, midband                                     |     | Y1, connector 1–2 |             |             |             |             |
|--|-----|-------------------|-------------|-------------|-------------|-------------|
| Frequency Range  | MHz | 1695 – 1880       | 1850 – 1990 | 1920 – 2200 | 2300 – 2400 | 2490 – 2690 |
| Gain at mid Tilt                                       | dBi | 17.7              | 18.1        | 18.3        | 18.6        | 19.3        |
| Gain over all Tilts                                    | dBi | 17.7 ± 0.7        | 18.1 ± 0.5  | 18.2 ± 0.7  | 18.5 ± 1.0  | 19.2 ± 1.0  |
| <b>Horizontal Pattern:</b>                             |     |                   |             |             |             |             |
| Azimuth Beamwidth                                      | °   | 41 ± 2.3          | 40 ± 0.6    | 38 ± 2.5    | 33 ± 0.8    | 30 ± 1.6    |
| Front-to-Back Ratio, Total Power, ± 30°                | dB  | > 25              | > 25        | > 25        | > 26        | > 27        |
| Cross Polar Discrimination at Boresight                | dB  | > 21.1            | > 20.7      | > 20.9      | > 20.4      | > 19.6      |
| Cross Polar Discrimination over Sector                 | dB  | > 10.4            | > 9.1       | > 11.6      | > 8.8       | > 4.9       |
| Azimuth Beam Port-to-Port Tracking                     | dB  | < 1.2             | < 1.2       | < 1.1       | < 1.3       | < 2.4       |
| <b>Vertical Pattern:</b>                               |     |                   |             |             |             |             |
| Elevation Beamwidth                                    | °   | 9.7 ± 0.5         | 9.1 ± 0.4   | 8.6 ± 0.5   | 7.7 ± 0.3   | 7.1 ± 0.5   |
| Electrical Downtilt continuously adjustable            | °   | 2.0 – 12.0        |             |             |             |             |
| Tilt Accuracy  | °   | < 1.1             | < 1.0       | < 1.2       | < 1.1       | < 1.1       |
| First Upper Sidelobe Suppression                       | dB  | > 15              | > 16        | > 18        | > 18        | > 19        |
| Upper Sidelobe Suppression, 20° Sector above Main Beam | dB  | > 15              | > 16        | > 17        | > 17        | > 15        |
| Intra-Cluster Isolation                                | dB  | ≥ 28              |             |             |             |             |
| Port to Port Isolation                                 | dB  | ≥ 28 (Y1 // Y2)   |             |             |             |             |
| Max. Effective Power per Port                          | W   | 250               |             |             |             |             |

Values based on NGMN-P-BASTA (version 11.1) requirements.

| Right side, midband                                    |     | Y2, connector 3–4 |             |             |             |             |
|--|-----|-------------------|-------------|-------------|-------------|-------------|
| Frequency Range  | MHz | 1695 – 1880       | 1850 – 1990 | 1920 – 2200 | 2300 – 2400 | 2490 – 2690 |
| Gain at mid Tilt                                       | dBi | 17.7              | 18.0        | 18.1        | 18.4        | 19.1        |
| Gain over all Tilts                                    | dBi | 17.7 ± 0.6        | 18.0 ± 0.5  | 18.1 ± 0.7  | 18.3 ± 1.0  | 19.1 ± 1.0  |
| <b>Horizontal Pattern:</b>                             |     |                   |             |             |             |             |
| Azimuth Beamwidth                                      | °   | 42 ± 2.4          | 40 ± 0.4    | 39 ± 2.4    | 34 ± 0.8    | 30 ± 1.8    |
| Front-to-Back Ratio, Total Power, ± 30°                | dB  | > 24              | > 24        | > 24        | > 25        | > 27        |
| Cross Polar Discrimination at Boresight                | dB  | > 22.0            | > 22.3      | > 23.2      | > 21.1      | > 21.3      |
| Cross Polar Discrimination over Sector                 | dB  | > 9.3             | > 10.0      | > 12.2      | > 7.7       | > 6.7       |
| Azimuth Beam Port-to-Port Tracking                     | dB  | < 0.9             | < 1.3       | < 1.1       | < 1.5       | < 2.9       |
| <b>Vertical Pattern:</b>                               |     |                   |             |             |             |             |
| Elevation Beamwidth                                    | °   | 9.7 ± 0.5         | 9.2 ± 0.4   | 8.6 ± 0.6   | 7.7 ± 0.3   | 7.2 ± 0.5   |
| Electrical Downtilt continuously adjustable            | °   | 2.0 – 12.0        |             |             |             |             |
| Tilt Accuracy  | °   | < 0.7             | < 0.7       | < 0.9       | < 0.9       | < 0.8       |
| First Upper Sidelobe Suppression                       | dB  | > 16              | > 18        | > 19        | > 18        | > 20        |
| Upper Sidelobe Suppression, 20° Sector above Main Beam | dB  | > 16              | > 17        | > 18        | > 17        | > 15        |
| Intra-Cluster Isolation                                | dB  | ≥ 28              |             |             |             |             |
| Port to Port Isolation                                 | dB  | ≥ 28 (Y2 // Y1)   |             |             |             |             |
| Max. Effective Power per Port                          | W   | 250               |             |             |             |             |

Values based on NGMN-P-BASTA (version 11.1) requirements.

## Electrical specifications, all ports

|                                      |            |                                    |
|--------------------------------------|------------|------------------------------------|
| Impedance                            | $\Omega$   | 50                                 |
| VSWR                                 |            | < 1.5                              |
| Return Loss                          | dB         | > 14                               |
| Inter-Cluster Isolation              | dB         | > 28                               |
| Passive Intermodulation              | dBc        | < -153 (2 x 43 dBm carrier)        |
| Polarization                         | $^{\circ}$ | +45, -45                           |
| Max. Effective Power for the Antenna | W          | 400 (at 25° C ambient temperature) |

Values based on NGMN-P-BASTA (version 11.1) requirements.

**Material:**

**Reflector screen and dipoles:** Aluminum.

**Fiberglass housing:** It covers totally the internal antenna components. The special design reduces the sealing areas to a minimum and guarantees the best weather protection. Fiberglass material guarantees optimum performance with regards to stability, stiffness, UV resistance and painting. The color of the radome is light grey.

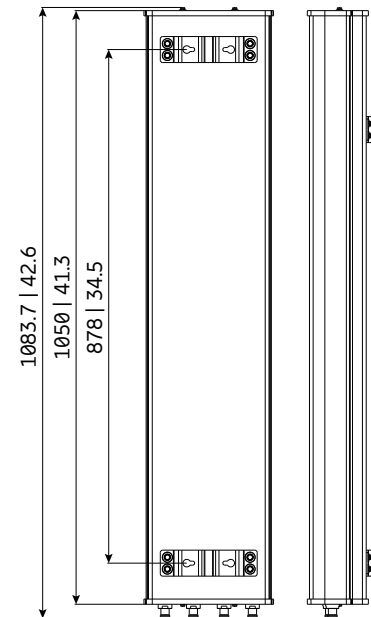
**All nuts and bolts:** Stainless steel or hot-dip galvanized steel.

**Grounding:** The metal parts of the antenna including the mounting kit and the inner conductors are DC grounded.

## Mechanical specifications

|   |   |  |
|---|---|--|
| Input                                     | 4x 4.3-10 female  |  |
| Connector Position                        | bottom  |  |
| Adjustment Mechanism                      | Integrated RET, continuously adjustable   |  |
| Wind load (at Rated Wind Speed: 150 km/h) | N   lbf   | Frontal: 465   105<br>Maximal: 465   105                 |
| Wind Load Standard                        | EN 1994-1-4   |  |
| Wind Load Laboratory                      | TU Dresden; Göttinger-type wind tunnel  |  |
| Max. Wind Velocity                        | km/h<br>mph   | 241<br>150   |
| Height / Width / Depth                    | mm<br>inches  | 1050 / 398 / 195<br>59.1 / 19.2 / 6.9                    |
| Weight                                    | kg<br>lb  | 16.5 / 21.9 (clamps incl.)<br>36.4 / 48.3 (clamps incl.) |
| Packing Size                              | mm<br>inches  | 1365 / 490 / 265<br>53.8 / 19.3 / 10.4                   |
| Scope of Supply                           | Antenna, mounting kit (50–115 mm) incl. mech. Tilt-kit ( $0^{\circ}$ – $20^{\circ}$ ) SXA 120 129/1, integr. RET KRY 121 78/1 |  |

## Layout of interface

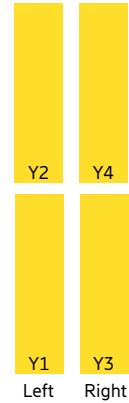


## Correlation Table

| Frequency range | Array | Connector / Ports |
|-----------------|-------|-------------------|
| 1695–2690 MHz   | Y1    | 1–2               |
| 1695–2690 MHz   | Y2    | 3–4               |



Y1 Y2  
Left Right



# Antenna 2480 0L 4M 1.8m

KRE 101 2405/1

- Capacity
- Compact
- Coverage

32° | 2x 1695–2690 MHz | 18.9 dBi  
32° | 2x 1695–2690 MHz | 18.3 dBi  
Electrical downtilt set by integrated RET



[ericsson.com/antenna-system](https://ericsson.com/antenna-system)



Scan or [click](#)



| Left side, midband, lower                   |     | Y1, connector 1–2                  |             |             |             |             |
|---|-----|------------------------------------|-------------|-------------|-------------|-------------|
| Frequency Range                             | MHz | 1695 – 1880                        | 1850 – 1990 | 1920 – 2170 | 2300 – 2400 | 2490 – 2690 |
| Gain at mid Tilt                            | dBi | 17.4                               | 18.0        | 18.3        | 18.7        | 18.9        |
| Gain over all Tilts                         | dBi | 17.4 ± 0.9                         | 18.0 ± 0.6  | 18.2 ± 0.8  | 18.7 ± 0.7  | 18.9 ± 0.8  |
| <b>Horizontal Pattern:</b>                  |     |                                    |             |             |             |             |
| Horizontal Beam Centers                     | °   | ±32                                | ±30         | ±28         | ±24         | ±22         |
| Azimuth Beamwidth                           | °   | 36 ± 1.                            | 35 ± 1.3    | 33 ± 2.4    | 28 ± 0.9    | 25 ± 0.8    |
| Front-to-Back Ratio, Total Power, ± 30°     | dB  | > 26                               | > 28        | > 30        | > 29        | > 29        |
| <b>Vertical Pattern:</b>                    |     |                                    |             |             |             |             |
| Elevation Beamwidth                         | °   | 10.8 ± 0.5                         | 10.1 ± 0.5  | 9.5 ± 0.6   | 8.3 ± 0.4   | 7.6 ± 0.4   |
| Electrical Downtilt continuously adjustable | °   | 2.0 – 12.0                         |             |             |             |             |
| Tilt Accuracy                               | °   | < 0.4                              | < 0.4       | < 0.2       | < 0.3       | < 0.6       |
| First Upper Side Lobe Suppression           | dB  | > 20                               | > 19        | > 18        | > 17        | > 14        |
| Cross Polar Isolation                       | dB  | > 28                               |             |             |             |             |
| Port to Port Isolation                      | dB  | 16 (Y1 // Y2, Y3, Y4)              |             |             |             |             |
| Max. Effective Power per Port               | W   | 175 (at 40 °C ambient temperature) |             |             |             |             |
| Max. Effective Power Ports Y1               | W   | 250 (at 40 °C ambient temperature) |             |             |             |             |

Values based on NGMN-P-BASTA (version 10.0) requirements.

| Left side, midband, upper                   |     | Y2, connector 3–4                  |             |             |             |             |
|---|-----|------------------------------------|-------------|-------------|-------------|-------------|
| Frequency Range                             | MHz | 1695 – 1880                        | 1850 – 1990 | 1920 – 2170 | 2300 – 2400 | 2490 – 2690 |
| Gain at mid Tilt                            | dBi | 17.0                               | 17.4        | 17.7        | 18.2        | 18.3        |
| Gain over all Tilts                         | dBi | 17.0 ± 0.8                         | 17.4 ± 0.6  | 17.7 ± 0.7  | 18.2 ± 0.7  | 18.3 ± 0.7  |
| <b>Horizontal Pattern:</b>                  |     |                                    |             |             |             |             |
| Horizontal Beam Centers                     | °   | ±32                                | ±30         | ±28         | ±24         | ±22         |
| Azimuth Beamwidth                           | °   | 37 ± 0.7                           | 36 ± 1.6    | 33 ± 3.0    | 28 ± 0.9    | 26 ± 0.8    |
| Front-to-Back Ratio, Total Power, ± 30°     | dB  | > 27                               | > 29        | > 29        | > 29        | > 27        |
| <b>Vertical Pattern:</b>                    |     |                                    |             |             |             |             |
| Elevation Beamwidth                         | °   | 11.1 ± 0.6                         | 10.3 ± 0.4  | 9.7 ± 0.7   | 8.6 ± 0.2   | 7.8 ± 0.4   |
| Electrical Downtilt continuously adjustable | °   | 2.0 – 12.0                         |             |             |             |             |
| Tilt Accuracy                               | °   | < 0.7                              | < 0.5       | < 0.4       | < 0.7       | < 0.4       |
| First Upper Side Lobe Suppression           | dB  | > 20                               | > 26        | > 26        | > 22        | > 18        |
| Cross Polar Isolation                       | dB  | > 28                               |             |             |             |             |
| Port to Port Isolation                      | dB  | 16 (Y2 // Y1, Y3, Y4)              |             |             |             |             |
| Max. Effective Power per Port               | W   | 175 (at 40 °C ambient temperature) |             |             |             |             |
| Max. Effective Power Ports Y2               | W   | 250 (at 40 °C ambient temperature) |             |             |             |             |

Values based on NGMN-P-BASTA (version 10.0) requirements.

| Right side, midband, lower                  |     | Y3, connector 5–6                  |             |             |             |             |
|---|-----|------------------------------------|-------------|-------------|-------------|-------------|
| Frequency Range                             | MHz | 1695 – 1880                        | 1850 – 1990 | 1920 – 2170 | 2300 – 2400 | 2490 – 2690 |
| Gain at mid Tilt                            | dBi | 17.3                               | 17.9        | 18.2        | 18.6        | 18.7        |
| Gain over all Tilts                         | dBi | 17.3 ± 0.9                         | 17.9 ± 0.7  | 18.1 ± 0.8  | 18.6 ± 0.7  | 18.7 ± 0.8  |
| <b>Horizontal Pattern:</b>                  |     |                                    |             |             |             |             |
| Horizontal Beam Centers                     | °   | ±32                                | ±30         | ±28         | ±24         | ±22         |
| Azimuth Beamwidth                           | °   | 36 ± 0.9                           | 35 ± 1.7    | 33 ± 2.8    | 28 ± 0.8    | 25 ± 0.8    |
| Front-to-Back Ratio, Total Power, ± 30°     | dB  | > 26                               | > 28        | > 29        | > 30        | > 30        |
| <b>Vertical Pattern:</b>                    |     |                                    |             |             |             |             |
| Elevation Beamwidth                         | °   | 10.9 ± 0.6                         | 10.1 ± 0.6  | 9.5 ± 0.6   | 8.4 ± 0.4   | 7.6 ± 0.4   |
| Electrical Downtilt continuously adjustable | °   | 2.0 – 12.0                         |             |             |             |             |
| Tilt Accuracy                               | °   | < 0.6                              | < 0.4       | < 0.5       | < 0.4       | < 0.6       |
| First Upper Side Lobe Suppression           | dB  | > 17                               | > 18        | > 18        | > 16        | > 13        |
| Cross Polar Isolation                       | dB  | > 28                               |             |             |             |             |
| Port to Port Isolation                      | dB  | 16 (Y3 // Y2, Y1, Y4)              |             |             |             |             |
| Max. Effective Power per Port               | W   | 175 (at 40 °C ambient temperature) |             |             |             |             |
| Max. Effective Power Ports Y3               | W   | 250 (at 40 °C ambient temperature) |             |             |             |             |

Values based on NGMN-P-BASTA (version 10.0) requirements.

| Right side, midband, upper                  |     | Y4, connector 7–8                  |             |             |             |             |
|---|-----|------------------------------------|-------------|-------------|-------------|-------------|
| Frequency Range                             | MHz | 1695 – 1880                        | 1850 – 1990 | 1920 – 2170 | 2300 – 2400 | 2490 – 2690 |
| Gain at mid Tilt                            | dBi | 16.9                               | 17.5        | 17.7        | 18.1        | 18.0        |
| Gain over all Tilts                         | dBi | 16.9 ± 0.7                         | 17.5 ± 0.7  | 17.7 ± 0.7  | 18.1 ± 0.7  | 18.1 ± 0.8  |
| <b>Horizontal Pattern:</b>                  |     |                                    |             |             |             |             |
| Horizontal Beam Centers                     | °   | ±32                                | ±30         | ±28         | ±24         | ±22         |
| Azimuth Beamwidth                           | °   | 37 ± 1.1                           | 35 ± 1.5    | 33 ± 2.5    | 28 ± 0.8    | 26 ± 0.6    |
| Front-to-Back Ratio, Total Power, ± 30°     | dB  | > 27                               | > 29        | > 30        | > 28        | > 29        |
| <b>Vertical Pattern:</b>                    |     |                                    |             |             |             |             |
| Elevation Beamwidth                         | °   | 11.0 ± 0.5                         | 10.3 ± 0.5  | 9.7 ± 0.5   | 8.6 ± 0.3   | 7.7 ± 0.5   |
| Electrical Downtilt continuously adjustable | °   | 2.0 – 12.0                         |             |             |             |             |
| Tilt Accuracy                               | °   | < 1.0                              | < 0.9       | < 0.9       | < 1.0       | < 0.8       |
| First Upper Side Lobe Suppression           | dB  | > 25                               | > 22        | > 20        | > 19        | > 14        |
| Cross Polar Isolation                       | dB  | > 28                               |             |             |             |             |
| Port to Port Isolation                      | dB  | 16 (Y4 // Y2, Y3, Y1)              |             |             |             |             |
| Max. Effective Power per Port               | W   | 175 (at 40 °C ambient temperature) |             |             |             |             |
| Max. Effective Power Ports Y4               | W   | 250 (at 40 °C ambient temperature) |             |             |             |             |

Values based on NGMN-P-BASTA (version 10.0) requirements.

## Electrical specifications, all ports

|                                      |          |                                    |
|--------------------------------------|----------|------------------------------------|
| Impedance                            | $\Omega$ | 50                                 |
| VSWR                                 |          | < 1.5                              |
| Return Loss                          | dB       | > 14                               |
| Interband Isolation                  | dB       | > 16                               |
| Passive Intermodulation              | dBc      | < -153 (2 x 43 dBm carrier)        |
| Polarization                         | °        | -45, +45                           |
| Max. Effective Power for the Antenna | W        | 900 (at 40° C ambient temperature) |

Values based on NGMN-P-BASTA (version 10.0) requirements.

## Mechanical specifications

|   |  |  |
|---|--|--|
| Input                                     | 8x 4.3-10 female   |  |
| Connector Position                        | bottom   |  |
| Adjustment Mechanism                      | Integrated RET, continuously adjustable  |  |
| Wind load (at Rated Wind Speed: 150 km/h) | N   lbf  | Frontal: 375   85<br>Maximal: 655   147                  |
| Max. Wind Velocity                        | km/h<br>mph  | 241<br>150   |
| Height / Width / Depth                    | mm<br>inches   | 1800 / 355 / 192<br>70.9 / 14.0 / 7.6                    |
| Weight                                    | kg<br>lb   | 26.8 / 35.5 (clamps incl.)<br>59.1 / 78.3 (clamps incl.) |
| Packing Size                              | mm<br>inches   | 2095 / 440 / 265<br>82.5 / 17.3 / 10.4                   |
| Scope of Supply                           | Antenna, mounting kit (50–115 mm)<br>incl. mech. Tilt-kit (0°–14°)<br>SXA 120 128/3,<br>integr. RET KRY 121 78/2 |  |

**Material:**

**Reflector screen and dipoles:** Aluminum.

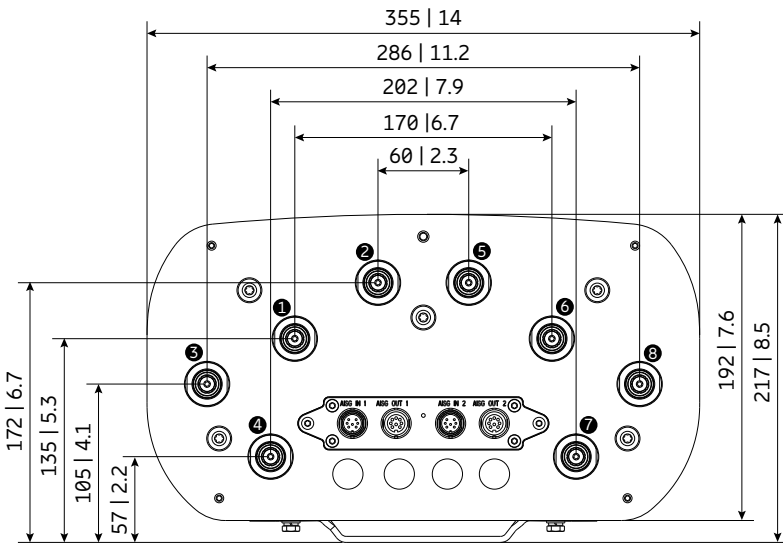
**Fiberglass housing:** It covers totally the internal antenna components. The special design reduces the sealing areas to a minimum and guarantees the best weather protection. Fiberglass material guarantees optimum performance with regards to stability, stiffness, UV resistance and painting. The color of the radome is light grey.

**All nuts and bolts:** Stainless steel or hot-dip galvanized steel.

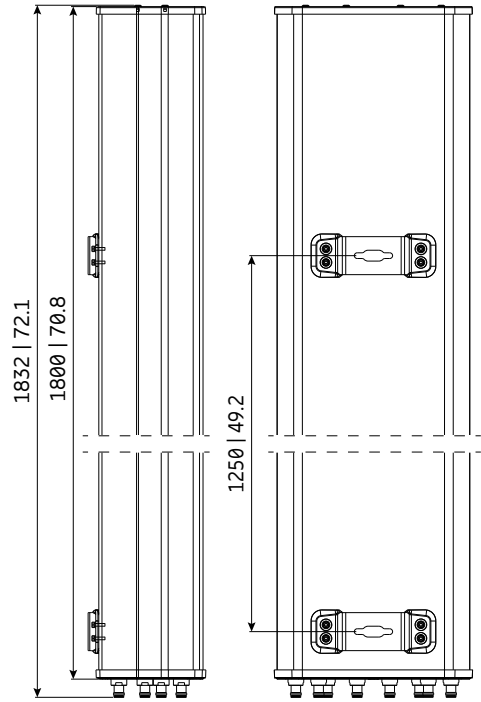
**Grounding:**

The metal parts of the antenna including the mounting kit and the inner conductors are DC grounded.

### Layout of interface



Bottom view  
All dimensions in mm | inches



### Correlation Table

| Frequency range | Array | Connector / Ports |
|-----------------|-------|-------------------|
| 1695–2690 MHz   | Y1    | 1–2               |
| 1695–2690 MHz   | Y2    | 3–4               |
| 1695–2690 MHz   | Y3    | 5–6               |
| 1695–2690 MHz   | Y4    | 7–8               |





# Antenna 2480 0L 4M 2.0m

KRE 101 2538/1

Capacity

Compact

Coverage

33° | 2x 1695–2690 MHz | 19.0 dBi  
33° | 2x 1695–2690 MHz | 18.5 dBi  
Electrical downtilt set by integrated RET



[ericsson.com/antenna-system](https://ericsson.com/antenna-system)



Scan or [click](#)

| Left side, midband, lower                   |     | Y1, connector 1–2                  |             |             |             |             |
|---|-----|------------------------------------|-------------|-------------|-------------|-------------|
| Frequency Range                             | MHz | 1695 – 1880                        | 1850 – 1990 | 1920 – 2170 | 2300 – 2400 | 2490 – 2690 |
| Gain at mid Tilt                            | dBi | 17.4                               | 17.6        | 17.8        | 18.4        | 19.0        |
| Gain over all Tilts                         | dBi | 17.4±0.5                           | 17.6±0.5    | 17.8±0.6    | 18.4±0.8    | 18.9±0.9    |
| <b>Horizontal Pattern:</b>                  |     |                                    |             |             |             |             |
| Horizontal Beam Centers                     | °   | -32                                | -33         | -33         | -30         | -30         |
| Azimuth Beamwidth                           | °   | 42±2                               | 40±1        | 39±2        | 34±1        | 31±2        |
| Front-to-Back Ratio, Total Power, ± 30°     | dB  | > 23                               | > 23        | > 23        | > 22        | > 22        |
| <b>Vertical Pattern:</b>                    |     |                                    |             |             |             |             |
| Elevation Beamwidth                         | °   | 9.9 ± 0.5                          | 9.2 ± 0.7   | 8.7 ± 0.5   | 7.6 ± 0.3   | 7.0 ± 0.5   |
| Electrical Downtilt continuously adjustable | °   | 2.0 – 12.0                         |             |             |             |             |
| Tilt Accuracy                               | °   | < 0.5                              | < 0.6       | < 0.7       | < 0.6       | < 0.6       |
| First Upper Side Lobe Suppression           | dB  | > 15                               | > 16        | > 17        | > 16        | > 17        |
| Cross Polar Isolation                       | dB  | > 28                               |             |             |             |             |
| Port to Port Isolation                      | dB  | 28 (Y1 // Y2, Y3, Y4)              |             |             |             |             |
| Max. Effective Power per Port               | W   | 250 (at 40 °C ambient temperature) |             |             |             |             |

Values based on NGMN-P-BASTA (version 10.0) requirements.

| Left side, midband, upper                   |     | Y2, connector 3–4                  |             |             |             |             |
|---|-----|------------------------------------|-------------|-------------|-------------|-------------|
| Frequency Range                             | MHz | 1695 – 1880                        | 1850 – 1990 | 1920 – 2170 | 2300 – 2400 | 2490 – 2690 |
| Gain at mid Tilt                            | dBi | 17.0                               | 17.5        | 17.6        | 18.0        | 18.5        |
| Gain over all Tilts                         | dBi | 17.0 ± 0.6                         | 17.4 ± 0.7  | 17.6 ± 0.6  | 18.0 ± 0.8  | 18.5 ± 0.9  |
| <b>Horizontal Pattern:</b>                  |     |                                    |             |             |             |             |
| Horizontal Beam Centers                     | °   | -32                                | -33         | -33         | -30         | -30         |
| Azimuth Beamwidth                           | °   | 42 ± 3                             | 40 ± 1      | 39 ± 2      | 33 ± 1      | 30 ± 2      |
| Front-to-Back Ratio, Total Power, ± 30°     | dB  | > 22                               | > 23        | > 24        | > 22        | > 22        |
| <b>Vertical Pattern:</b>                    |     |                                    |             |             |             |             |
| Elevation Beamwidth                         | °   | 10.0 ± 0.6                         | 9.3 ± 0.6   | 8.8 ± 0.4   | 7.7 ± 0.3   | 7.1 ± 0.5   |
| Electrical Downtilt continuously adjustable | °   | 2.0 – 12.0                         |             |             |             |             |
| Tilt Accuracy                               | °   | < 0.5                              | < 0.6       | < 0.5       | < 0.3       | < 0.4       |
| First Upper Side Lobe Suppression           | dB  | > 14                               | > 15        | > 16        | > 16        | > 16        |
| Cross Polar Isolation                       | dB  | > 28                               |             |             |             |             |
| Port to Port Isolation                      | dB  | 16 (Y2 // Y1, Y3, Y4)              |             |             |             |             |
| Max. Effective Power per Port               | W   | 250 (at 40 °C ambient temperature) |             |             |             |             |

Values based on NGMN-P-BASTA (version 10.0) requirements.

## Right side, midband, lower

## Y3, connector 5–6

| Frequency Range                             | MHz | 1695 – 1880                        | 1850 – 1990 | 1920 – 2170 | 2300 – 2400 | 2490 – 2690 |
|---|-----|------------------------------------|-------------|-------------|-------------|-------------|
| Gain at mid Tilt                            | dBi | 17.5                               | 17.9        | 18.1        | 18.6        | 19.1        |
| Gain over all Tilts                         | dBi | 17.4±0.7                           | 17.9±0.8    | 18.1±0.6    | 18.6±0.8    | 19.0±1.0    |
| <b>Horizontal Pattern:</b>                  |     |                                    |             |             |             |             |
| Horizontal Beam Centers                     | °   | 32                                 | 33          | 33          | 30          | 30          |
| Azimuth Beamwidth                           | °   | 42±3                               | 40±1        | 39±2        | 34±1        | 30±2        |
| Front-to-Back Ratio, Total Power, ± 30°     | dB  | > 23                               | > 23        | > 24        | > 23        | > 23        |
| <b>Vertical Pattern:</b>                    |     |                                    |             |             |             |             |
| Elevation Beamwidth                         | °   | 10.0 ± 0.5                         | 9.3 ± 0.6   | 8.7 ± 0.7   | 7.8 ± 0.5   | 7.0 ± 0.4   |
| Electrical Downtilt continuously adjustable | °   | 2.0 – 12.0                         |             |             |             |             |
| Tilt Accuracy                               | °   | < 0.6                              | < 0.5       | < 0.5       | < 0.4       | < 0.5       |
| First Upper Side Lobe Suppression           | dB  | > 15                               | > 17        | > 18        | > 17        | > 17        |
| Cross Polar Isolation                       | dB  | > 28                               |             |             |             |             |
| Port to Port Isolation                      | dB  | 28 (Y1 // Y2, Y3, Y4)              |             |             |             |             |
| Max. Effective Power per Port               | W   | 250 (at 40 °C ambient temperature) |             |             |             |             |

Values based on NGMN-P-BASTA (version 10.0) requirements.

## Right side, midband, upper

## Y4, connector 7–8

| Frequency Range                             | MHz | 1695 – 1880                        | 1850 – 1990 | 1920 – 2170 | 2300 – 2400 | 2490 – 2690 |
|---|-----|------------------------------------|-------------|-------------|-------------|-------------|
| Gain at mid Tilt                            | dBi | 17.2                               | 17.6        | 17.8        | 18.5        | 18.8        |
| Gain over all Tilts                         | dBi | 17.1 ± 0.6                         | 17.6 ± 0.7  | 17.8 ± 0.7  | 18.2 ± 0.8  | 18.8 ± 0.9  |
| <b>Horizontal Pattern:</b>                  |     |                                    |             |             |             |             |
| Horizontal Beam Centers                     | °   | 32                                 | 33          | 33          | 30          | 30          |
| Azimuth Beamwidth                           | °   | 42 ± 3                             | 40 ± 1      | 39 ± 2      | 34 ± 1      | 30 ± 2      |
| Front-to-Back Ratio, Total Power, ± 30°     | dB  | > 23                               | > 23        | > 24        | > 22        | > 24        |
| <b>Vertical Pattern:</b>                    |     |                                    |             |             |             |             |
| Elevation Beamwidth                         | °   | 10.0 ± 0.5                         | 9.3 ± 0.6   | 8.8 ± 0.5   | 7.6 ± 0.3   | 7.1 ± 0.4   |
| Electrical Downtilt continuously adjustable | °   | 2.0 – 12.0                         |             |             |             |             |
| Tilt Accuracy                               | °   | < 0.6                              | < 0.6       | < 0.6       | < 0.4       | < 0.5       |
| First Upper Side Lobe Suppression           | dB  | > 14                               | > 16        | > 17        | > 16        | > 17        |
| Cross Polar Isolation                       | dB  | > 28                               |             |             |             |             |
| Port to Port Isolation                      | dB  | 16 (Y2 // Y1, Y3, Y4)              |             |             |             |             |
| Max. Effective Power per Port               | W   | 250 (at 40 °C ambient temperature) |             |             |             |             |

Values based on NGMN-P-BASTA (version 10.0) requirements.

## Electrical specifications, all ports

|                                      |            |                                    |
|--------------------------------------|------------|------------------------------------|
| Impedance                            | $\Omega$   | 50                                 |
| VSWR                                 |            | < 1.5                              |
| Return Loss                          | dB         | > 14                               |
| Interband Isolation                  | dB         | > 28                               |
| Passive Intermodulation              | dBc        | < -153 (2 x 43 dBm carrier)        |
| Polarization                         | $^{\circ}$ | +45, -45                           |
| Max. Effective Power for the Antenna | W          | 800 (at 40° C ambient temperature) |

Values based on NGMN-P-BASTA (version 10.0) requirements.

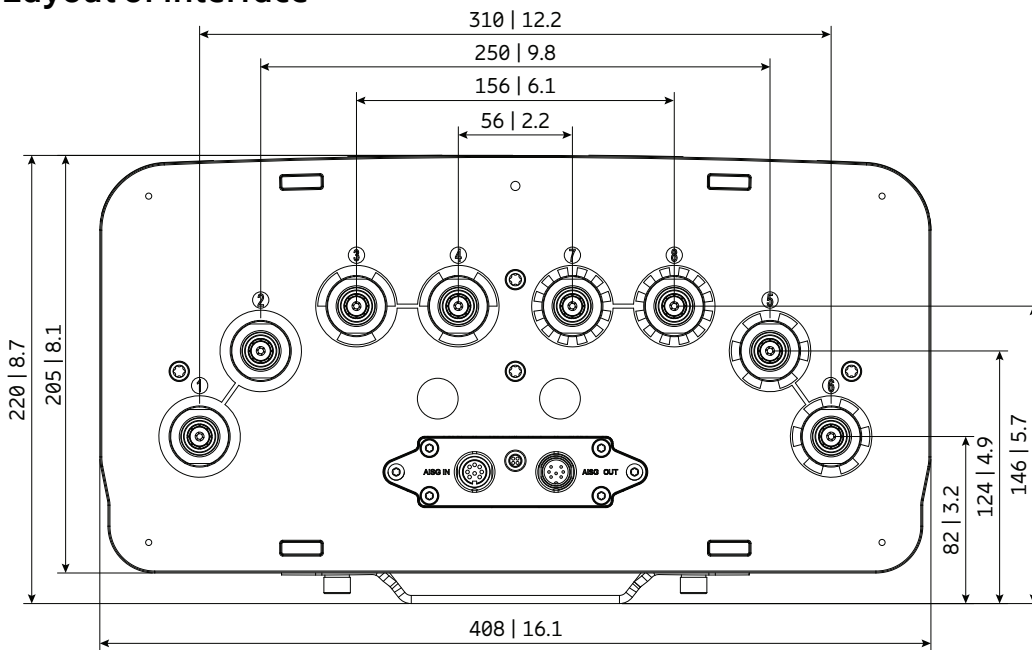
**Material:** **Reflector screen and dipoles:** Aluminum.  
**Fiberglass housing:** It covers totally the internal antenna components. The special design reduces the sealing areas to a minimum and guarantees the best weather protection. Fiberglass material guarantees optimum performance with regards to stability, stiffness, UV resistance and painting. The color of the radome is light grey.  
**All nuts and bolts:** Stainless steel or hot-dip galvanized steel.

**Grounding:** The metal parts of the antenna including the mounting kit and the inner conductors are DC grounded.

## Mechanical specifications

|   |   |  |
|---|---|--|
| Input                                     | 8x 4.3-10 female  |  |
| Connector Position                        | bottom  |  |
| Adjustment Mechanism                      | Integrated RET, continuously adjustable   |  |
| Wind load (at Rated Wind Speed: 150 km/h) | N   lbf   | Frontal: 920   207<br>Maximal: 980   220                 |
| Max. Wind Velocity                        | km/h<br>mph   | 241<br>150   |
| Height / Width / Depth                    | mm<br>inches  | 2000 / 398 / 195<br>78.7 / 15.6 / 7.6                    |
| Weight                                    | kg<br>lb  | 27.8 / 34.5 (clamps incl.)<br>61.3 / 76.1 (clamps incl.) |
| Packing Size                              | mm<br>inches  | 2300 / 490 / 265<br>90.5 / 19.3 / 10.4                   |
| Scope of Supply                           | Antenna, mounting kit (50–115 mm) incl. mech. Tilt-kit (0°–14°) SXA 120 128/2, integr. RET KRY 121 78/1 |  |

## Layout of interface



## Correlation Table

| Frequency range | Array | Connector / Ports |
|-----------------|-------|-------------------|
| 1695–2690 MHz   | Y1    | 1–2               |
| 1695–2690 MHz   | Y2    | 3–4               |
| 1695–2690 MHz   | Y3    | 5–6               |
| 1695–2690 MHz   | Y4    | 7–8               |





# Special Configuration

## Multi Port, Omni

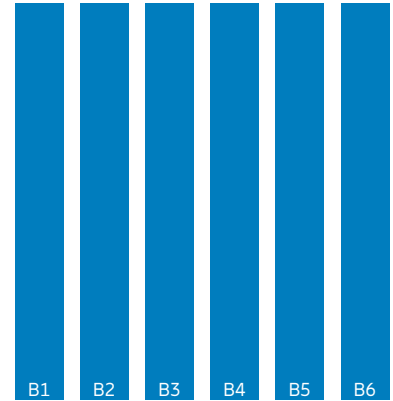
Capacity

Compact

Coverage

| Product Name<br>Product No.                      | Frequency MHz                                  | HPBW °               | Gain dBi                 | Tilt ° | Connector type | Page                | 3C       |
|--|--|----------------------|--------------------------|--------|----------------|---------------------|----------|
| <b>Multi Port</b>                                |  |                      |                          |        |                |                     |          |
| Antenna 9009 0L 6M 0.4m<br>80010725              | 6x 1695–2200                                   | 11                   | 19.0                     | 5      | 4.3-10         | <a href="#">454</a> | Capacity |
| Antenna 9010 0L 6M 0.4m<br>80010726              | 6x 2300–2690                                   | 9                    | 21.0                     | 7      | 4.3-10         | <a href="#">460</a> | Capacity |
| Antenna 9003 1LM 0.43m<br>80020448               | 694–960/<br>1710–2690                          | 65                   | 5.0                      | 0      | 4.3-10         | <a href="#">466</a> | Compact  |
| Antenna 9005 0L 4M<br>80010234                   | 1695–2690/<br>3300–4200/<br>5150–5920          | 360                  | 5.0                      | 0      | 4.3-10         | <a href="#">468</a> | Compact  |
| <b>Antenna 9012 1LM</b><br>KRE 101 2572/1        | 617–960<br>1427–1518<br>1695–2690<br>3300–4200 | 65<br>65<br>65<br>65 | 4.5<br>5.5<br>7.0<br>8.0 | 0      | 4.3-10         | <a href="#">470</a> | Compact  |
| <b>Antenna 9014 2L 4M 0.5m</b><br>KRE 101 2570/1 | 2x 690–960<br>2x 1695–2690<br>2x 3300–4200     | 65<br>65<br>65       | 8.0<br>11.7<br>11.7      | 0      | 4.3-10         | <a href="#">472</a> | Compact  |
| Antenna 9000 1LM<br>742192V02                    | 1x 690–2690                                    | 67                   | 11.0                     | 0      | 7-16           | <a href="#">478</a> | Coverage |
| Antenna 9008 1LM<br>80010828V01                  | 1x 790–960<br>1x 1710–2170                     | C 38<br>28           | 14.0<br>15.5             | 0<br>0 | 7-16           | <a href="#">481</a> | Coverage |
| <b>Antenna 9011 1LM</b><br>KRE 101 2571/1        | 617–4200                                       | 65                   | 10.0                     | 0      | 4.3-10         | <a href="#">484</a> | Coverage |
| <b>Omni</b>                                      |  |                      |                          |        |                |                     |          |
| Antenna 9002 0L 1M 0.11m<br>80010431             | 1x 1695–2700                                   | 360                  | 2.0                      | 0      | N              | <a href="#">487</a> | Compact  |
| Antenna 9002 1LM 0.2m<br>80010846                | 694–960/<br>1695–2700                          | 360                  | 2.0                      | 0      | N              | <a href="#">489</a> | Compact  |
| Antenna 9002 0L 1M 0.7m<br>80020126              | 1x 1710–2690                                   | 360                  | 5.0                      | 0      | 4.3-10         | <a href="#">491</a> | Compact  |

[New product](#)



# Antenna 9009 0L 6M 0.4m

80010725

Capacity

Compact

Coverage

6x 1695–2200 MHz | 19.0 dBi



[ericsson.com/antenna-system](https://ericsson.com/antenna-system)



Scan or [click](#)

|   |     | B1, connector 1 – 2                |             |             |
|---|-----|------------------------------------|-------------|-------------|
| Frequency Range                         | MHz | 1695 – 1880                        | 1850 – 1990 | 1920 – 2200 |
| Gain                                    | dBi | 16.9 ± 1.0                         | 18.1 ± 0.9  | 19.0 ± 1.1  |
| <b>Horizontal Pattern:</b>              |     |                                    |             |             |
| Azimuth Beamwidth                       | °   | 16.3 ± 2.3                         | 13.6 ± 0.8  | 12.6 ± 0.9  |
| Front-to-Back Ratio, Total Power, ± 30° | dB  | > 22                               | > 24        | > 23        |
| Cross Polar Discrimination at Boresight | dB  | > 7                                | > 15        | > 16        |
| <b>Vertical Pattern:</b>                |     |                                    |             |             |
| Elevation Beamwidth                     | °   | 23.0 ± 2.0                         | 24.3 ± 1.9  | 22.9 ± 2.7  |
| Electrical Downtilt                     | °   | 5, fixed                           |             |             |
| First Upper Side Lobe Suppression       | dB  | > 11                               | > 18        | > 17        |
| Cross Polar Port Isolation              | dB  | > 25                               |             |             |
| Max. Effective Power per Port           | W   | 200 (at 50 °C ambient temperature) |             |             |

Values based on NGMN-P-BASTA (version 10.0) requirements.

|   |     | B2, connector 3 – 4                |             |             |
|---|-----|------------------------------------|-------------|-------------|
| Frequency Range                         | MHz | 1695 – 1880                        | 1850 – 1990 | 1920 – 2200 |
| Gain                                    | dBi | 18.5 ± 1.1                         | 19.5 ± 0.7  | 20.2 ± 1.2  |
| <b>Horizontal Pattern:</b>              |     |                                    |             |             |
| Azimuth Beamwidth                       | °   | 13.2 ± 0.5                         | 12.0 ± 0.8  | 11.0 ± 0.8  |
| Front-to-Back Ratio, Total Power, ± 30° | dB  | > 27                               | > 28        | > 28        |
| Cross Polar Discrimination at Boresight | dB  | > 19                               | > 28        | > 32        |
| <b>Vertical Pattern:</b>                |     |                                    |             |             |
| Elevation Beamwidth                     | °   | 25.0 ± 0.9                         | 24.6 ± 1.4  | 23.1 ± 2.2  |
| Electrical Downtilt                     | °   | 5, fixed                           |             |             |
| First Upper Side Lobe Suppression       | dB  | > 14                               | > 18        | > 17        |
| Cross Polar Isolation                   | dB  | > 28                               |             |             |
| Max. Effective Power per Port           | W   | 200 (at 50 °C ambient temperature) |             |             |

Values based on NGMN-P-BASTA (version 10.0) requirements.

## B3, connector 5–6

| Frequency Range                         | MHz | 1695 – 1880                        | 1850 – 1990 | 1920 – 2200 |
|---|-----|------------------------------------|-------------|-------------|
| Gain                                    | dBi | 18.7 ± 0.8                         | 19.2 ± 0.8  | 19.9 ± 1.2  |
| <b>Horizontal Pattern:</b>              |     |                                    |             |             |
| Azimuth Beamwidth                       | °   | 12.2 ± 0.5                         | 11.1 ± 1.0  | 10.4 ± 0.9  |
| Front-to-Back Ratio, Total Power, ± 30° | dB  | > 23                               | > 25        | > 24        |
| Cross Polar Discrimination at Boresight | dB  | > 20                               | > 23        | > 25        |
| <b>Vertical Pattern:</b>                |     |                                    |             |             |
| Elevation Beamwidth                     | °   | 25.7 ± 0.9                         | 24.9 ± 1.0  | 23.3 ± 2.1  |
| Electrical Downtilt                     | °   | 5, fixed                           |             |             |
| First Upper Side Lobe Suppression       | dB  | > 20                               | > 20        | > 16        |
| Cross Polar Isolation                   | dB  | > 28                               |             |             |
| Max. Effective Power per Port           | W   | 200 (at 50 °C ambient temperature) |             |             |

Values based on NGMN-P-BASTA (version 10.0) requirements.

## B4, connector 7–8

| Frequency Range                         | MHz | 1695 – 1880                        | 1850 – 1990 | 1920 – 2200 |
|---|-----|------------------------------------|-------------|-------------|
| Gain                                    | dBi | 19.2 ± 0.9                         | 19.7 ± 0.7  | 20.3 ± 1.2  |
| <b>Horizontal Pattern:</b>              |     |                                    |             |             |
| Azimuth Beamwidth                       | °   | 12.0 ± 0.8                         | 10.8 ± 0.9  | 10.2 ± 0.7  |
| Front-to-Back Ratio, Total Power, ± 30° | dB  | > 28                               | > 28        | > 27        |
| Cross Polar Discrimination at Boresight | dB  | > 19                               | > 22        | > 25        |
| <b>Vertical Pattern:</b>                |     |                                    |             |             |
| Elevation Beamwidth                     | °   | 26.0 ± 0.8                         | 25.0 ± 1.0  | 23.4 ± 2.0  |
| Electrical Downtilt                     | °   | 5, fixed                           |             |             |
| First Upper Side Lobe Suppression       | dB  | > 23                               | > 18        | > 16        |
| Cross Polar Isolation                   | dB  | > 28                               |             |             |
| Max. Effective Power per Port           | W   | 200 (at 50 °C ambient temperature) |             |             |

Values based on NGMN-P-BASTA (version 10.0) requirements.

## B5, connector 9–10

| Frequency Range                         | MHz | 1695 – 1880                        | 1850 – 1990 | 1920 – 2200 |
|---|-----|------------------------------------|-------------|-------------|
| Gain                                    | dBi | 18.6 ± 1.0                         | 19.4 ± 0.9  | 19.9 ± 1.2  |
| <b>Horizontal Pattern:</b>              |     |                                    |             |             |
| Azimuth Beamwidth                       | °   | 12.7 ± 0.3                         | 11.7 ± 0.8  | 10.9 ± 0.6  |
| Front-to-Back Ratio, Total Power, ± 30° | dB  | > 23                               | > 24        | > 24        |
| Cross Polar Discrimination at Boresight | dB  | > 18                               | > 24        | > 28        |
| <b>Vertical Pattern:</b>                |     |                                    |             |             |
| Elevation Beamwidth                     | °   | 25.6 ± 1.2                         | 24.9 ± 0.6  | 23.2 ± 1.7  |
| Electrical Downtilt                     | °   | 5, fixed                           |             |             |
| First Upper Side Lobe Suppression       | dB  | > 20                               | > 19        | > 15        |
| Cross Polar Isolation                   | dB  | > 28                               |             |             |
| Max. Effective Power per Port           | W   | 200 (at 50 °C ambient temperature) |             |             |

Values based on NGMN-P-BASTA (version 10.0) requirements.

## B6, connector 11–12

| Frequency Range                         | MHz | 1695 – 1880                        | 1850 – 1990 | 1920 – 2200 |
|---|-----|------------------------------------|-------------|-------------|
| Gain                                    | dBi | 17.4 ± 0.8                         | 18.2 ± 0.9  | 19.0 ± 1.2  |
| <b>Horizontal Pattern:</b>              |     |                                    |             |             |
| Azimuth Beamwidth                       | °   | 16.1 ± 2.3                         | 13.5 ± 0.6  | 12.6 ± 0.9  |
| Front-to-Back Ratio, Total Power, ± 30° | dB  | > 23                               | > 24        | > 25        |
| Cross Polar Discrimination at Boresight | dB  | > 7                                | > 12        | > 17        |
| <b>Vertical Pattern:</b>                |     |                                    |             |             |
| Elevation Beamwidth                     | °   | 23.9 ± 2.8                         | 24.9 ± 1.1  | 23.3 ± 2.4  |
| Electrical Downtilt                     | °   | 5, fixed                           |             |             |
| First Upper Side Lobe Suppression       | dB  | > 15                               | > 21        | > 20        |
| Cross Polar Isolation                   | dB  | > 25                               |             |             |
| Max. Effective Power per Port           | W   | 200 (at 50 °C ambient temperature) |             |             |

Values based on NGMN-P-BASTA (version 10.0) requirements.

## Electrical specifications, all systems

|                                      |          |                                     |
|--------------------------------------|----------|-------------------------------------|
| Impedance                            | $\Omega$ | 50                                  |
| VSWR                                 |          | < 1.5                               |
| Return Loss                          | dB       | > 14                                |
| Passive Intermodulation              | dBc      | < -153 (2 x 43 dBm carrier)         |
| Polarization                         | °        | +45, -45                            |
| Max. Effective Power for the Antenna | W        | 1000 (at 50 °C ambient temperature) |

Values based on NGMN-P-BASTA (version 10.0) requirements.

## Mechanical specifications

|   |              |   |
|---|--------------|---|
| Input                                     |              | 12x 4.3-10 female   |
| Connector Position                        |              | bottom  |
| Wind load (at Rated Wind Speed: 150 km/h) | N   lbf      | Frontal 470   106<br>Lateral 55   12                                |
| Max. Wind Velocity                        | km/h<br>mph  | 200<br>124  |
| Height / Width / Depth                    | mm<br>inches | 378 / 864 / 111<br>14.9 / 34.0 / 4.4                                |
| Category of Mounting Hardware             |              | XM * (X-Medium)   |
| Weight                                    | kg<br>lb     | 14.5 / 19.0 (clamps incl.)<br>32.0 / 41.9 (clamps incl.)            |
| Packing Size                              | mm<br>inches | 474 x 959 x 238<br>18.7 x 37.8 x 9.4                                |
| Scope of Supply                           |              | Panel and 2 units of clamps for 55–115 mm   2.2–4.5 inches diameter |

\* no downtilt possible

## Accessories (order separately if required)

| Product No. | Description | Remarks<br>mm   inches               | Units per antenna |
|-------------|-------------|--------------------------------------|-------------------|
| 85010097    | 2 clamps    | Mast diameter: 110 – 220   4.3 – 8.7 | 1                 |

## Accessories (included in the scope of supply)

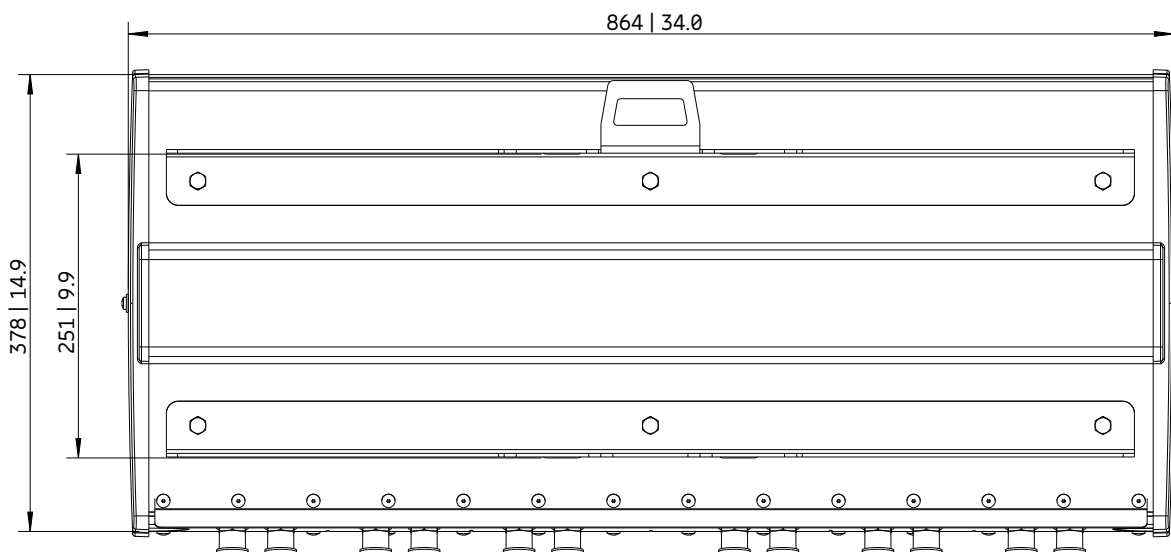
| Product No. | Description | Remarks<br>mm   inches          | Units per antenna |
|-------------|-------------|---------------------------------|-------------------|
| 85010111    | 2 clamps    | Mast diameter: 55–115   2.2–4.5 | 1                 |

**Material:** Reflector screen: Aluminum.

**Fiberglass housing:** It covers totally the internal antenna components. The special design reduces the sealing areas to a minimum and guarantees the best weather protection. Fiberglass material guarantees optimum performance with regards to stability, stiffness, UV resistance and painting. The color of the radome is light grey.

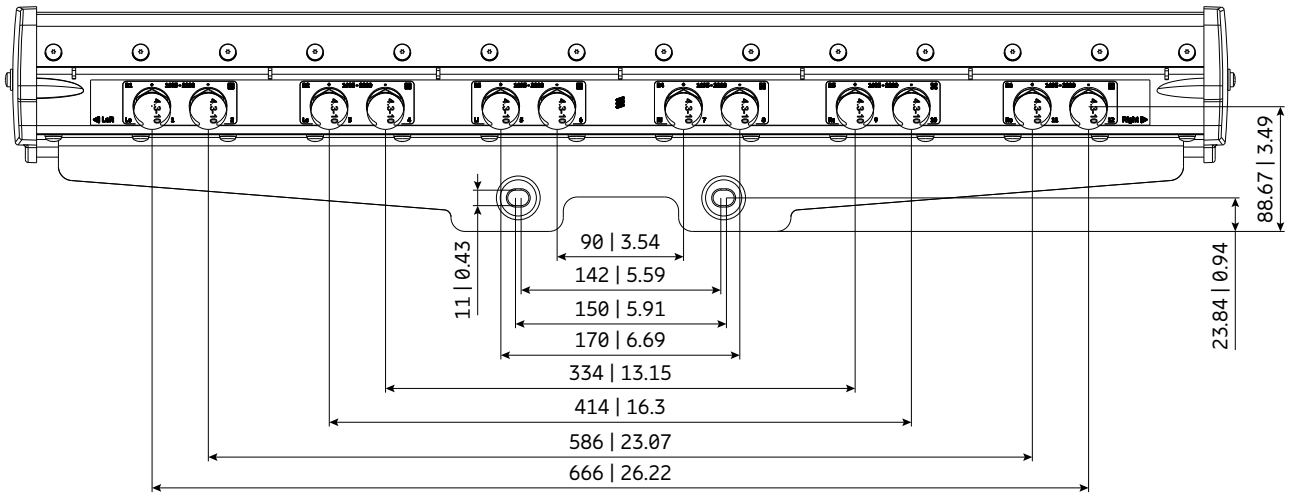
**All nuts and bolts:** Stainless steel or hot-dip galvanized steel.

**Grounding:** The metal parts of the antenna including the mounting kit and the inner conductors are DC grounded.



\* Dimensions refer to radome  
All dimensions in mm | inches

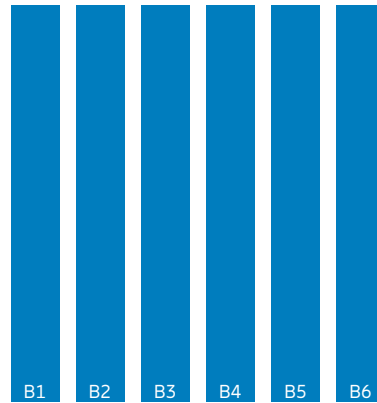
## Layout of interface

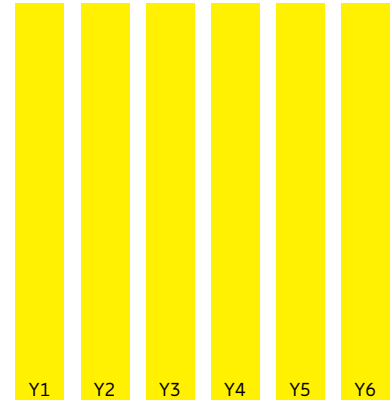


Bottom view  
All dimensions in mm | inches

## Correlation Table

| Frequency range | Array | Connector / Ports |
|-----------------|-------|-------------------|
| 1695–2200 MHz   | B1    | 1–2               |
| 1695–2200 MHz   | B2    | 3–4               |
| 1695–2200 MHz   | B3    | 5–6               |
| 1695–2200 MHz   | B4    | 7–8               |
| 1695–2200 MHz   | B5    | 9–10              |
| 1695–2200 MHz   | B6    | 11–12             |





# Antenna 9010 0L 6M 0.4m

80010726

Capacity

Compact

Coverage

6x 2300–2690 MHz | 21.0 dBi



[ericsson.com/antenna-system](https://ericsson.com/antenna-system)



Scan or [click](#)



## Y1, connector 1 – 2

| Frequency Range                         | MHz | 2300 – 2400                        | 2490 – 2690 |
|---|-----|------------------------------------|-------------|
| Gain                                    | dBi | 20.3 ± 0.4                         | 20.9 ± 0.7  |
| <b>Horizontal Pattern:</b>              |     |                                    |             |
| Azimuth Beamwidth                       | °   | 10.5 ± 0.3                         | 9.2 ± 0.6   |
| Front-to-Back Ratio, Total Power, ± 30° | dB  | > 23                               | > 24        |
| Cross Polar Discrimination at Boresight | dB  | > 22                               | > 14        |
| <b>Vertical Pattern:</b>                |     |                                    |             |
| Elevation Beamwidth                     | °   | 18.8 ± 1.2                         | 17.6 ± 1.3  |
| Electrical Downtilt                     | °   | 7, fixed                           | 7, fixed    |
| First Upper Side Lobe Suppression       | dB  | > 16                               | > 13        |
| Cross Polar Port Isolation              | dB  | > 28                               |             |
| Max. Effective Power per Port           | W   | 200 (at 50 °C ambient temperature) |             |

Values based on NGMN-P-BASTA (version 10.0) requirements.

## Y2, connector 3 – 4

| Frequency Range                         | MHz | 2300 – 2400                        | 2490 – 2690 |
|---|-----|------------------------------------|-------------|
| Gain                                    | dBi | 21.3 ± 0.6                         | 21.7 ± 1.0  |
| <b>Horizontal Pattern:</b>              |     |                                    |             |
| Azimuth Beamwidth                       | °   | 9.1 ± 0.2                          | 8.2 ± 0.4   |
| Front-to-Back Ratio, Total Power, ± 30° | dB  | > 27                               | > 25        |
| Cross Polar Discrimination at Boresight | dB  | > 24                               | > 14        |
| <b>Vertical Pattern:</b>                |     |                                    |             |
| Elevation Beamwidth                     | °   | 19.6 ± 0.9                         | 17.7 ± 1.0  |
| Electrical Downtilt                     | °   | 7, fixed                           | 7, fixed    |
| First Upper Side Lobe Suppression       | dB  | > 17                               | > 15        |
| Cross Polar Port Isolation              | dB  | > 28                               |             |
| Max. Effective Power per Port           | W   | 200 (at 50 °C ambient temperature) |             |

Values based on NGMN-P-BASTA (version 10.0) requirements.

## Y3, connector 5–6

| Frequency Range                         | MHz | 2300 – 2400                        | 2490 – 2690 |
|---|-----|------------------------------------|-------------|
| Gain                                    | dBi | 21.5 ± 0.8                         | 21.6 ± 1.0  |
| <b>Horizontal Pattern:</b>              |     |                                    |             |
| Azimuth Beamwidth                       | °   | 8.8 ± 0.1                          | 7.9 ± 0.3   |
| Front-to-Back Ratio, Total Power, ± 30° | dB  | > 28                               | > 26        |
| Cross Polar Discrimination at Boresight | dB  | > 26                               | > 16        |
| <b>Vertical Pattern:</b>                |     |                                    |             |
| Elevation Beamwidth                     | °   | 20.0 ± 0.9                         | 18.0 ± 0.8  |
| Electrical Downtilt                     | °   | 7, fixed                           | 7, fixed    |
| First Upper Side Lobe Suppression       | dB  | > 15                               | > 16        |
| Cross Polar Port Isolation              | dB  | > 28                               |             |
| Max. Effective Power per Port           | W   | 200 (at 50 °C ambient temperature) |             |

Values based on NGMN-P-BASTA (version 10.0) requirements.

## Y4, connector 7–8

| Frequency Range                         | MHz | 2300 – 2400                        | 2490 – 2690 |
|---|-----|------------------------------------|-------------|
| Gain                                    | dBi | 21.5 ± 0.7                         | 21.6 ± 1.3  |
| <b>Horizontal Pattern:</b>              |     |                                    |             |
| Azimuth Beamwidth                       | °   | 8.6 ± 0.1                          | 7.9 ± 0.3   |
| Front-to-Back Ratio, Total Power, ± 30° | dB  | > 26                               | > 25        |
| Cross Polar Discrimination at Boresight | dB  | > 28                               | > 15        |
| <b>Vertical Pattern:</b>                |     |                                    |             |
| Elevation Beamwidth                     | °   | 20.0 ± 0.7                         | 17.9 ± 0.7  |
| Electrical Downtilt                     | °   | 7, fixed                           | 7, fixed    |
| First Upper Side Lobe Suppression       | dB  | > 14                               | > 15        |
| Cross Polar Port Isolation              | dB  | > 28                               |             |
| Max. Effective Power per Port           | W   | 200 (at 50 °C ambient temperature) |             |

Values based on NGMN-P-BASTA (version 10.0) requirements.

## Y5, connector 9–10

| Frequency Range                         | MHz | 2300 – 2400                        | 2490 – 2690 |
|---|-----|------------------------------------|-------------|
| Gain                                    | dBi | 20.9 ± 0.7                         | 21.4 ± 0.9  |
| <b>Horizontal Pattern:</b>              |     |                                    |             |
| Azimuth Beamwidth                       | °   | 9.2 ± 0.2                          | 8.4 ± 0.3   |
| Front-to-Back Ratio, Total Power, ± 30° | dB  | > 23                               | > 24        |
| Cross Polar Discrimination at Boresight | dB  | > 23                               | > 15        |
| <b>Vertical Pattern:</b>                |     |                                    |             |
| Elevation Beamwidth                     | °   | 19.6 ± 0.7                         | 17.7 ± 1.1  |
| Electrical Downtilt                     | °   | 7, fixed                           | 7, fixed    |
| First Upper Side Lobe Suppression       | dB  | > 15                               | > 13        |
| Cross Polar Port Isolation              | dB  | > 28                               |             |
| Max. Effective Power per Port           | W   | 200 (at 50 °C ambient temperature) |             |

Values based on NGMN-P-BASTA (version 10.0) requirements.

## Y6, connector 11–12

| Frequency Range                         | MHz | 2300 – 2400                        | 2490 – 2690 |
|---|-----|------------------------------------|-------------|
| Gain                                    | dBi | 20.5 ± 0.7                         | 21.0 ± 0.8  |
| <b>Horizontal Pattern:</b>              |     |                                    |             |
| Azimuth Beamwidth                       | °   | 10.5 ± 0.2                         | 9.3 ± 0.5   |
| Front-to-Back Ratio, Total Power, ± 30° | dB  | > 24                               | > 25        |
| Cross Polar Discrimination at Boresight | dB  | > 21                               | > 13        |
| <b>Vertical Pattern:</b>                |     |                                    |             |
| Elevation Beamwidth                     | °   | 18.5 ± 1.2                         | 17.5 ± 1.5  |
| Electrical Downtilt                     | °   | 7, fixed                           | 7, fixed    |
| First Upper Side Lobe Suppression       | dB  | > 15                               | > 11        |
| Cross Polar Port Isolation              | dB  | > 28                               |             |
| Max. Effective Power per Port           | W   | 200 (at 50 °C ambient temperature) |             |

Values based on NGMN-P-BASTA (version 10.0) requirements.

## Electrical specifications, all systems

|                                      |            |                                     |
|--------------------------------------|------------|-------------------------------------|
| Impedance                            | $\Omega$   | 50                                  |
| VSWR                                 |            | < 1.5                               |
| Return Loss                          | dB         | > 14                                |
| Passive Intermodulation              | dBc        | < -153 (2 x 43 dBm carrier)         |
| Polarization                         | $^{\circ}$ | +45, -45                            |
| Max. Effective Power for the Antenna | W          | 1000 (at 50 °C ambient temperature) |

Values based on NGMN-P-BASTA (version 10.0) requirements.

## Mechanical specifications

|   |              |   |
|---|--------------|---|
| Input                                     |              | 12x 4.3-10 female   |
| Connector Position                        |              | bottom  |
| Wind load (at Rated Wind Speed: 150 km/h) | N   lbf      | Frontal 470   106<br>Lateral 55   112                               |
| Max. Wind Velocity                        | km/h<br>mph  | 200<br>124  |
| Height / Width / Depth                    | mm<br>inches | 378 / 864 / 111<br>14.9 / 34.0 / 4.4                                |
| Category of Mounting Hardware             |              | XM * (X-Medium)   |
| Weight                                    | kg<br>lb     | 14.8 / 19.3 (clamps incl.)<br>32.6 / 42.5 (clamps incl.)            |
| Packing Size                              | mm<br>inches | 474 x 959 x 238<br>18.7 x 37.8 x 9.4                                |
| Scope of Supply                           |              | Panel and 2 units of clamps for 55–115 mm   2.2–4.5 inches diameter |

\* no downtilt possible

## Accessories (order separately if required)

| Product No. | Description | Remarks<br>mm   inches               | Units per antenna |
|-------------|-------------|--------------------------------------|-------------------|
| 85010097    | 2 clamps    | Mast diameter: 110 – 220   4.3 – 8.7 | 1                 |

## Accessories (included in the scope of supply)

| Product No. | Description | Remarks<br>mm   inches          | Units per antenna |
|-------------|-------------|---------------------------------|-------------------|
| 85010111    | 2 clamps    | Mast diameter: 55–115   2.2–4.5 | 1                 |

## Material:

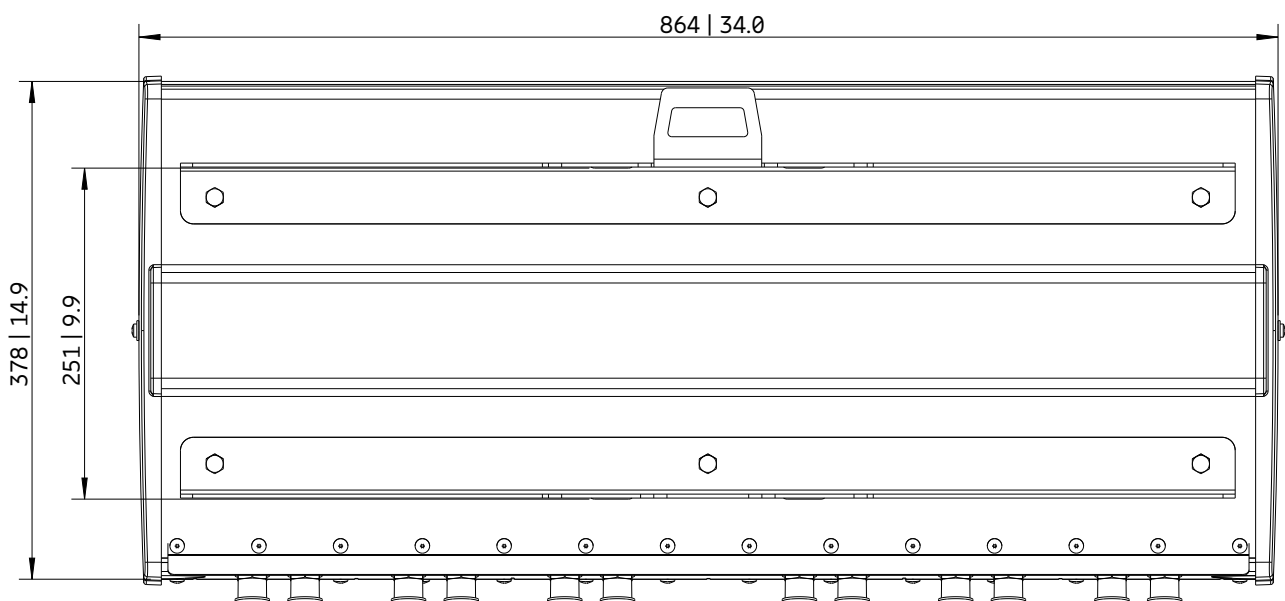
**Reflector screen:** Aluminum.

**Fiberglass housing:** It covers totally the internal antenna components. The special design reduces the sealing areas to a minimum and guarantees the best weather protection. Fiberglass material guarantees optimum performance with regards to stability, stiffness, UV resistance and painting. The color of the radome is light grey.

**All nuts and bolts:** Stainless steel or hot-dip galvanized steel.

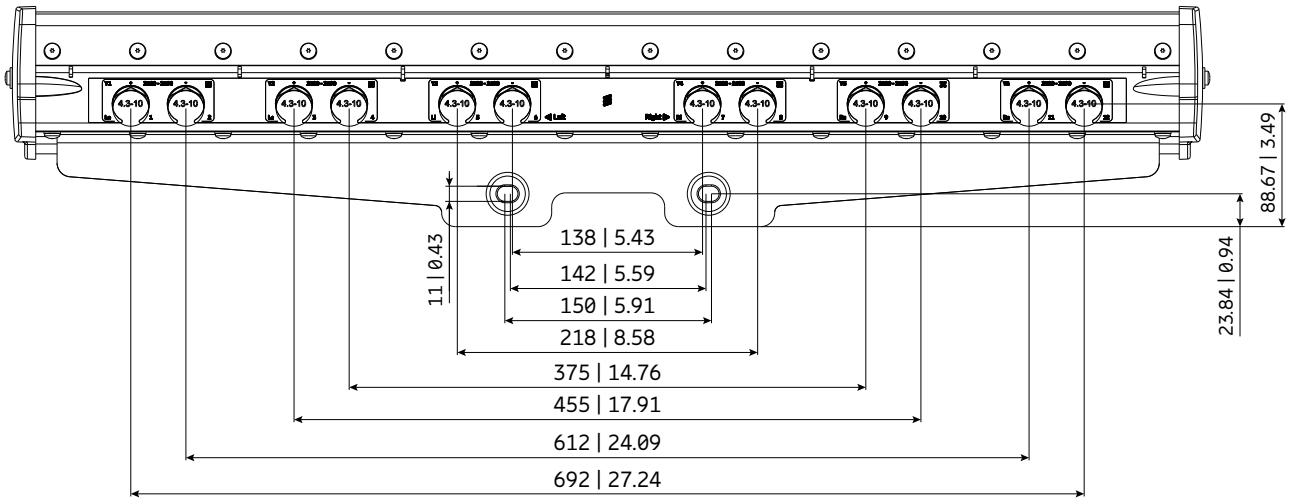
## Grounding:

The metal parts of the antenna including the mounting kit and the inner conductors are DC grounded.



\* Dimensions refer to radome  
All dimensions in mm | inches

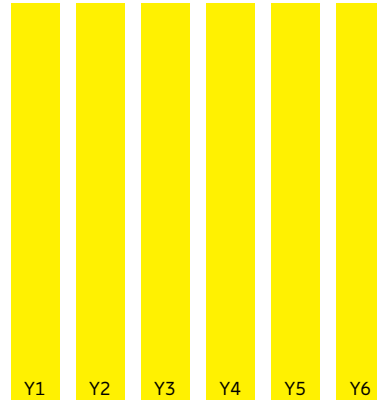
## Layout of interface



Bottom view  
All dimensions in mm | inches

## Correlation Table

| Frequency range | Array | Connector / Ports |
|-----------------|-------|-------------------|
| 2300–2690 MHz   | Y1    | 1–2               |
| 2300–2690 MHz   | Y2    | 3–4               |
| 2300–2690 MHz   | Y3    | 5–6               |
| 2300–2690 MHz   | Y4    | 7–8               |
| 2300–2690 MHz   | Y5    | 9–10              |
| 2300–2690 MHz   | Y6    | 11–12             |





# Antenna 9003 1LM 0.43m

80020448

Capacity

Compact

Coverage

65° | 694–960 MHz | 5.0 dBi

65° | 1710–2690 MHz | 5.0 dBi



[ericsson.com/antenna-system](https://ericsson.com/antenna-system)



Scan or [click](#)

|                            |              |  |
|----------------------------|--------------|--|
| Input                      |              | 1 x 4.3-10 female  |
| Frequency range            | MHz          | 694 – 960, 1710 – 2690   |
| VSWR                       |              | 694 – 960 MHz: < 2.0<br>1710 – 2690 MHz: < 1.7                   |
| Gain                       | dBi          | 694 – 806 MHz: 5.0<br>806 – 960 MHz: 5.5<br>1710 – 2690 MHz: 6.5 |
| Impedance                  | $\Omega$     | 50   |
| Polarization               |              | Vertical   |
| Intermodulation IM3        | dBc          | < -150 (2 x 43 dBm carrier)                                      |
| Max. power (total)         | W            | 200 (at 50 °C ambient temperature)                               |
| Weight                     | kg<br>lb     | 1.1<br>2.4   |
| Wind load<br>(at 150 km/h) | N   lbf      | Frontal: 30   6.7<br>Lateral: 70   15.7<br>Rearside: 35   7.9    |
| Max. wind velocity         | km/h<br>mph  | 200<br>124   |
| Packing size               | mm<br>inches | 450 x 205 x 110<br>17.7 x 8.1 x 4.3                              |
| Height/width/depth         | mm<br>inches | 428 / 180 / 79<br>16.9 / 7.1 / 3.1                               |
| Fire load                  | kWh          | 4.46   |

**Material:**

**Radiator:** Tin-plated copper.  
**Reflector:** Weather-proof aluminum.  
**Radome:** High impact plastic, color: Grey.  
**All screws and nuts:** Stainless steel.

**Mounting:**

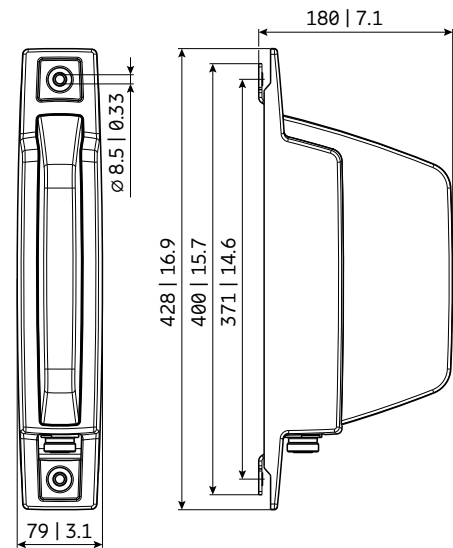
Wall mounting: Now additional mounting kit needed.  
 For pipe mast mounting use clamps listed below (order separately).

**Ice protection:**

The radiating system is protected by the radome. Due to its very sturdy construction, the antenna remains operational even under icy conditions.

**Grounding:**

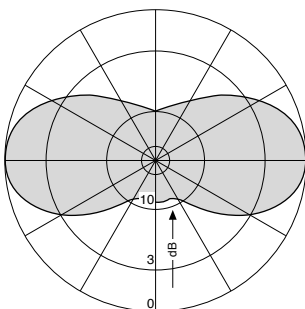
All metal parts of the antenna as well as the inner conductor are DC grounded.



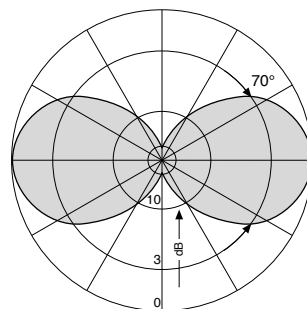
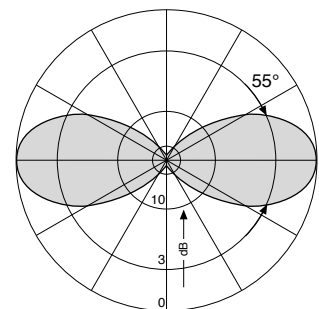
All dimensions in mm | inches

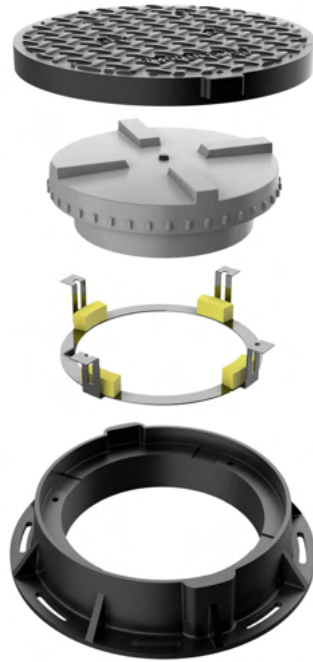
**Accessories (order separately if required)**

| Product No. | Description | Mast diameter<br>mm   inches | Units per<br>antenna |
|-------------|-------------|------------------------------|----------------------|
| 734360      | 2 clamps    | 34–60   1.3–2.4              | 1                    |
| 734364      | 2 clamps    | 120–140   4.7–5.5            | 1                    |
| 734365      | 2 clamps    | 45–125   1.8–4.9             | 1                    |



Horizontal Pattern

Vertical Pattern  
694–960 MHzVertical Pattern  
1710–2690 MHz



# Antenna 9005 0L 4M

80010234

Capacity

Compact

Coverage

360° | 4x 1695–2690/3300–4200/5150–5920 MHz | 5.0 dBi



[ericsson.com/antenna-system](https://ericsson.com/antenna-system)



Scan or [click](#)



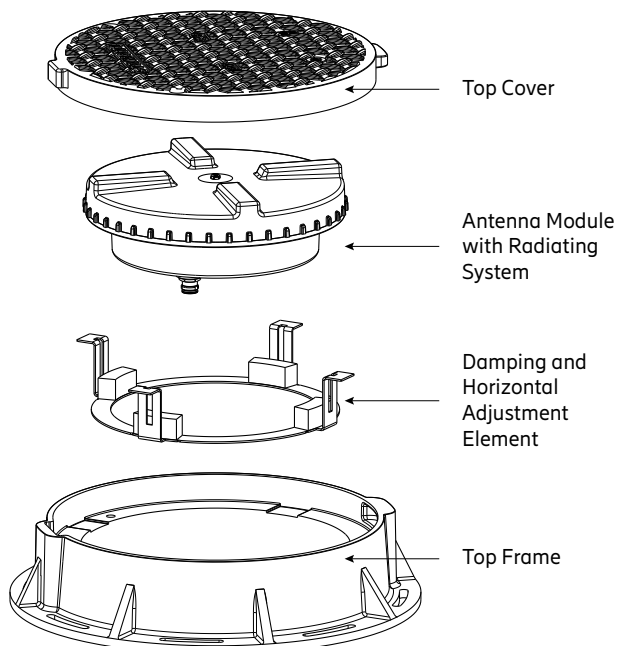
| Use Case                      |     | In-Ground Installation, High traffic urban areas                   |                                       |                                       |                                       |
|-------------------------------|-----|--|---------------------------------------|---------------------------------------|---------------------------------------|
| Midband                       |     | O1, connector 1; O2, connector 2; O3, connector 3; O4, connector 4 |                                       |                                       |                                       |
| Frequency Range               | MHz | 1695 – 2200  | 2200 – 2690                           | 3300 – 4200                           | 5150 – 5920                           |
| Max. Gain (Free Space)        | dBi | 7.0  | 9.5                                   | 7.5                                   | 8.0                                   |
| Horizontal Pattern            |     | Quasi Omni   | Quasi Omni                            | Quasi Omni                            | Quasi Omni                            |
| Vertical Pattern              |     | Several main lobes above ground level                              | Several main lobes above ground level | Several main lobes above ground level | Several main lobes above ground level |
| Isolation between all Ports   | dB  | > 20   | > 20                                  | > 20                                  | > 20                                  |
| Max. Effective Power per Port | W   | 20 (at 50 °C ambient temperature)                                  | 20 (at 50 °C ambient temperature)     | 10 (at 50 °C ambient temperature)     | 5 (at 50 °C ambient temperature)      |

### Electrical specifications, all systems

|                                      |          |   |
|--------------------------------------|----------|---|
| Impedance                            | $\Omega$ | 50  |
| VSWR                                 |          | < 1.7   |
| Return Loss                          | dB       | > 11.7  |
| Passive Intermodulation              | dBc      | 1695 – 2690 MHz:<br>< -153 (2 x 43 dBm carrier)<br>3300 – 4200 MHz:<br>< -153 (2 x 40 dBm carrier)<br>5150 – 5920 MHz: not relevant |
| Polarization                         |          | 4 x vertical  |
| Max. Effective Power for the Antenna | W        | 40 (at 50 °C ambient temperature)   |

### Mechanical specifications

|   |           |   |
|---|-----------|---|
| Input                                     |           | 4x 4.3-10 female  |
| Connector Position                        |           | Bottom  |
| Adjustment Mechanism Horizontal           |           | Set by hand, 9° steps   |
| Feeder Cables                             |           | Tightening torque of 4.3-10 connectors is 5–8 Nm                  |
| Top Cover Diameter / Height               | mm inches | 375 / 32<br>14.8 / 1.3  |
| Top Frame Outer / Inner Diameter / Height | mm inches | 480 / 315 / 100<br>18.9 / 12.4 / 3.9                              |
| Antenna Modul Diameter / Height           | mm inches | 310 / 142<br>12.2/5.6   |
| Weight Antenna Module                     | kg lb     | 2.9<br>6.4  |
| Weight Complete System                    | kg lb     | 13.3<br>29.3  |
| IP Protection Class                       |           | IP 68 (with appropriate feeder cable connector)                   |
| Max. Load Top Cover                       | kN        | 50 (without permanent deformation, according EN 124 – Class D400) |



#### Mounting:

Follow the installation guidelines for Polieco Kio D400 / EN 124 top cover and frame. Feeder cable to be installed strain-relieved. Maximum force 5 N per cable. Avoid mounting locations where obstructions may have impact on the antenna performance, e.g. parking cars.

Recommended tightening torque for the cover screws (2x): 50 Nm.

Attention: Please follow the mounting and instruction guidelines carefully. Liability cannot be assumed for damages as a result of unsatisfactory fitting and installation, improper putting into service, incorrect operation and maintenance, as well as any alterations or modifications carried out by the operator and accessory parts by the customer.

#### Remark:

All electrical values are stated for the complete system with top frame and cover.

Preliminary Issue



# Antenna 9012 1LM

KRE 101 2572/1

Capacity

Compact

Coverage

65° | 617–960 MHz | 4.5 dBi

65° | 1427–1518 MHz | 5.5 dBi

65° | 1695–2690 MHz | 7.0 dBi

65° | 3300–4200 MHz | 8.0 dBi



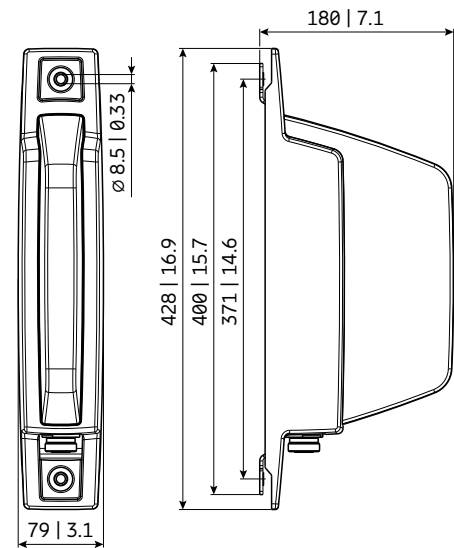
[ericsson.com/antenna-system](https://ericsson.com/antenna-system)



Scan or [click](#)

|                            |              |  |
|----------------------------|--------------|--|
| Input                      |              | 1 x 4.3-10 female  |
| Frequency range            | MHz          | 617 – 960, 1427 – 1518, 1695 – 2690, 3300 – 4200   |
| VSWR                       |              | 617 – 960 MHz: < 1.8<br>1427 – 1518 MHz: < 1.7<br>1695 – 2690 MHz: < 1.7<br>3300 – 4200 MHz: < 1.9               |
| Gain                       | dBi          | 617 – 806 MHz: 3.5<br>806 – 960 MHz: 5.5<br>1427 – 1518 MHz: 5.5<br>1695 – 2690 MHz: 7.0<br>3300 – 4200 MHz: 8.0 |
| Impedance                  | $\Omega$     | 50   |
| Polarization               |              | Vertical   |
| Intermodulation IM3        | dBc          | < -150 ( 2 x 43 dBm carrier)   |
| Max. power (total)         | W            | 200 (at 50 °C ambient temperature)   |
| Weight                     | kg<br>lb     | 1.1<br>2.4   |
| Wind load<br>(at 150 km/h) | N   lbf      | Frontal: 30   6.7<br>Lateral: 70   15.7<br>Rearside: 35   7.9  |
| Max. wind velocity         | km/h<br>mph  | 241<br>150   |
| Packing size               | mm<br>inches | 450 x 205 x 110<br>17.7 x 8.1 x 4.3  |
| Height/width/depth         | mm<br>inches | 428 / 180 / 79<br>16.9 / 7.1 / 3.1   |

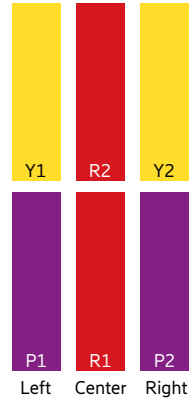
- Material:** Radiator: PCB (Printed Circuit Board).  
Reflector: Weather-proof aluminum.  
Radome: High impact plastic, color: Grey.  
All screws and nuts: Stainless steel.
- Mounting:** Wall mounting: Now additional mounting kit needed.  
For pipe mast mounting use clamps listed below (order separately).
- Ice protection:** The radiating system is protected by the radome. Due to its very sturdy construction, the antenna remains operational even under icy conditions.
- Grounding:** All metal parts of the antenna as well as the inner conductor are DC grounded.



All dimensions in mm | inches

## Accessories (order separately if required)

| Product No. | Description | Mast diameter<br>mm   inches | Units per<br>antenna |
|-------------|-------------|------------------------------|----------------------|
| 734360      | 2 clamps    | 34–60   1.3–2.4              | 1                    |
| 734364      | 2 clamps    | 120–140   4.7–5.5            | 1                    |
| 734365      | 2 clamps    | 45–125   1.8–4.9             | 1                    |



# Antenna 9014 2L 4M 0.5m

KRE 101 2570/1

Capacity

**Compact**

Coverage

65° | 2x 690–960 MHz | 8.0 dBi  
65° | 2x 1695–2690 MHz | 11.7 dBi  
65° | 2x 3300–4200 MHz | 11.7 dBi



[ericsson.com/antenna-system](https://ericsson.com/antenna-system)



Scan or [click](#)

| Center, lower lowband                   |     | R1, connector 1–2                              |             |            |            |
|---|-----|--|-------------|------------|------------|
| Frequency Range                         | MHz | 690 – 806                                      | 791 – 862   | 824 – 894  | 880 – 960  |
| Gain                                    | dBi | 7.1 ± -0.3                                     | 7.4 ± -0.3  | 7.6 ± -0.7 | 7.8 ± -0.5 |
| <b>Horizontal Pattern:</b>              |     |  |             |            |            |
| Azimuth Beamwidth                       | °   | 71.3 ± 6.2                                     | 66.2 ± 2.7  | 67.2 ± 3.7 | 68.6 ± 3.3 |
| Front-to-Back Ratio, Total Power, ± 30° | dB  | > 15.5   | > 17.9      | > 18.1     | > 20.7     |
| Cross Polar Discrimination at Boresight | dB  | > 15.1   | > 16.2      | > 16.8     | > 15.9     |
| <b>Vertical Pattern:</b>                |     |  |             |            |            |
| Elevation Beamwidth                     | °   | 75.9 ± 12.2                                    | 80.4 ± 10.9 | 77.2 ± 3.1 | 69.5 ± 7.5 |
| Electrical Downtilt                     | °   | 0; fixed                                       |             |            |            |
| Intra-Cluster Isolation                 | dB  | > 25   |             |            |            |
| Inter-Cluster Isolation                 | dB  | > 20 (R1 // R2)<br>> 25 (R1 // Y1, Y2, P1, P2) |             |            |            |
| Max. Effective Power per Port           | W   | 200 (at 50° C ambient temperature)             |             |            |            |
| Max. Effective Power Ports R1           | W   | 400 (at 50° C ambient temperature)             |             |            |            |

Values based on NGMN-P-BASTA (version 11.1) requirements.

| Center, upper lowband                   |     | R2, connector 3–4                              |            |            |            |
|---|-----|--|------------|------------|------------|
| Frequency Range                         | MHz | 690 – 806                                      | 791 – 862  | 824 – 894  | 880 – 960  |
| Gain                                    | dBi | 7.5 ± -0.4                                     | 7.9 ± -0.4 | 8 ± -0.7   | 7.8 ± -0.8 |
| <b>Horizontal Pattern:</b>              |     |  |            |            |            |
| Azimuth Beamwidth                       | °   | 68.8 ± 6.1                                     | 67.2 ± 3   | 68.8 ± 2.0 | 71.2 ± 3.5 |
| Front-to-Back Ratio, Total Power, ± 30° | dB  | > 15.6   | > 17.6     | > 17.1     | > 19       |
| Cross Polar Discrimination at Boresight | dB  | > 21.3   | > 23.5     | > 21.3     | > 14.9     |
| <b>Vertical Pattern:</b>                |     |  |            |            |            |
| Elevation Beamwidth                     | °   | 79.5 ± 4.4                                     | 76 ± 2.6   | 76.5 ± 1.9 | 77.9 ± 2.2 |
| Electrical Downtilt                     | °   | 0; fixed                                       |            |            |            |
| Intra-Cluster Isolation                 | dB  | > 25   |            |            |            |
| Inter-Cluster Isolation                 | dB  | > 20 (R2 // R1, Y1)<br>> 25 (R2 // Y2, P1, P2) |            |            |            |
| Max. Effective Power per Port           | W   | 200 (at 50° C ambient temperature)             |            |            |            |
| Max. Effective Power Ports R2           | W   | 400 (at 50° C ambient temperature)             |            |            |            |

Values based on NGMN-P-BASTA (version 11.1) requirements.

| Left side, upper midband                |     | Y1, connector 5–6                              |             |             |             |             |
|---|-----|--|-------------|-------------|-------------|-------------|
| Frequency Range                         | MHz | 1695 – 1880                                    | 1850 – 1990 | 1920 – 2200 | 2300 – 2400 | 2490 – 2690 |
| Gain                                    | dBi | 11.0 ± 0.0                                     | 11.2 ± 0.2  | 10.9 ± 0.3  | 11.6 ± -0.4 | 11.7 ± 0.0  |
| <b>Horizontal Pattern:</b>              |     |  |             |             |             |             |
| Azimuth Beamwidth                       | °   | 65.5 ± 6.3                                     | 63.2 ± 11.2 | 71 ± 11     | 61.0 ± 8.6  | 63.6 ± 5.2  |
| Front-to-Back Ratio, Total Power, ± 30° | dB  | > 23.2   | > 24.6      | > 25        | > 26.8      | > 26        |
| Cross Polar Discrimination at Boresight | dB  | > 16.2   | > 18.9      | > 16.6      | > 18.8      | > 19.6      |
| <b>Vertical Pattern:</b>                |     |  |             |             |             |             |
| Elevation Beamwidth                     | °   | 32.4 ± 4.4                                     | 30.2 ± 2.7  | 30.5 ± 2.8  | 25.3 ± 1.7  | 24.3 ± 1.7  |
| Electrical Downtilt                     | °   | 0; fixed                                       |             |             |             |             |
| Intra-Cluster Isolation                 | dB  | > 25   |             |             |             |             |
| Inter-Cluster Isolation                 | dB  | > 20 (Y1 // R2)<br>> 25 (Y1 // R1, Y2, P1, P2) |             |             |             |             |
| Max. Effective Power per Port           | W   | 150 (at 50° C ambient temperature)             |             |             |             |             |
| Max. Effective Power Ports Y1           | W   | 300 (at 50° C ambient temperature)             |             |             |             |             |

Values based on NGMN-P-BASTA (version 11.1) requirements.

| Right side, upper midband               |     | Y2, connector 7–8                  |             |             |             |             |
|---|-----|------------------------------------|-------------|-------------|-------------|-------------|
| Frequency Range                         | MHz | 1695 – 1880                        | 1850 – 1990 | 1920 – 2200 | 2300 – 2400 | 2490 – 2690 |
| Gain                                    | dBi | 10.8 ± -0.1                        | 11.1 ± 0.2  | 11.1 ± 0.3  | 11.8 ± 0.0  | 11.7 ± 0.0  |
| <b>Horizontal Pattern:</b>              |     |                                    |             |             |             |             |
| Azimuth Beamwidth                       | °   | 68.6 ± 3.4                         | 67.7 ± 8.4  | 69.8 ± 9.9  | 63.4 ± 6.6  | 61.3 ± 3.5  |
| Front-to-Back Ratio, Total Power, ± 30° | dB  | > 20.2                             | > 22.8      | > 23.4      | > 26.7      | > 25.8      |
| Cross Polar Discrimination at Boresight | dB  | > 17.8                             | > 21.3      | > 17.6      | > 18.4      | > 17.7      |
| <b>Vertical Pattern:</b>                |     |                                    |             |             |             |             |
| Elevation Beamwidth                     | °   | 32.1 ± 4.1                         | 30.5 ± 2.1  | 30.1 ± 3.3  | 26.1 ± 2    | 24.3 ± 2.7  |
| Electrical Downtilt                     | °   | 0; fixed                           |             |             |             |             |
| Intra-Cluster Isolation                 | dB  | > 25                               |             |             |             |             |
| Inter-Cluster Isolation                 | dB  | > 25 (Y2 // R1, R2, Y1, P1, P2)    |             |             |             |             |
| Max. Effective Power per Port           | W   | 150 (at 50° C ambient temperature) |             |             |             |             |
| Max. Effective Power Ports Y2           | W   | 300 (at 50° C ambient temperature) |             |             |             |             |

Values based on NGMN-P-BASTA (version 11.1) requirements.

| Left side, lower midband                |     | P1, connector 9–10                 |             |             |             |             |
|---|-----|------------------------------------|-------------|-------------|-------------|-------------|
| Frequency Range                         | MHz | 3300 – 3400                        | 3400 – 3600 | 3600 – 3800 | 3800 – 4000 | 4000 – 4200 |
| Gain                                    | dBi | 10.9 ± 0.1                         | 11.4 ± 0.2  | 11.6 ± 0.2  | 11.6 ± -0.2 | 11.7 ± 0.0  |
| <b>Horizontal Pattern:</b>              |     |                                    |             |             |             |             |
| Azimuth Beamwidth                       | °   | 55.7 ± 10.8                        | 56.1 ± 5.3  | 57.7 ± 5.1  | 51.7 ± 13.3 | 39.0 ± 9.3  |
| Front-to-Back Ratio, Total Power, ± 30° | dB  | > 19.7                             | > 21.7      | > 20.6      | > 19.1      | > 19.6      |
| Cross Polar Discrimination at Boresight | dB  | > 13.4                             | > 18.5      | > 18.1      | > 13.0      | > 12        |
| <b>Vertical Pattern:</b>                |     |                                    |             |             |             |             |
| Elevation Beamwidth                     | °   | 26.7 ± 6.2                         | 31.4 ± 3.6  | 31.2 ± 2.3  | 28.2 ± 2.5  | 29.4 ± 5    |
| Electrical Downtilt                     | °   | 0; fixed                           |             |             |             |             |
| Intra-Cluster Isolation                 | dB  | > 25                               |             |             |             |             |
| Inter-Cluster Isolation                 | dB  | > 25 (P1 // R1, R2, Y1, Y2, P2)    |             |             |             |             |
| Max. Effective Power per Port           | W   | 50 (at 50° C ambient temperature)  |             |             |             |             |
| Max. Effective Power Ports P1           | W   | 100 (at 50° C ambient temperature) |             |             |             |             |

Values based on NGMN-P-BASTA (version 11.1) requirements.

| Right side, lower midband               |     | P2, connector 11–12                |             |             |             |             |
|---|-----|------------------------------------|-------------|-------------|-------------|-------------|
| Frequency Range                         | MHz | 3300 – 3400                        | 3400 – 3600 | 3600 – 3800 | 3800 – 4000 | 4000 – 4200 |
| Gain                                    | dBi | 10.4 ± 0.3                         | 11.3 ± -0.2 | 11.6 ± 0.1  | 11.5 ± 0.2  | 11.6 ± 0.2  |
| <b>Horizontal Pattern:</b>              |     |                                    |             |             |             |             |
| Azimuth Beamwidth                       | °   | 63.4 ± 6.4                         | 56.1 ± 5.1  | 56.7 ± 3.8  | 51.1 ± 11.7 | 42.3 ± 9.7  |
| Front-to-Back Ratio, Total Power, ± 30° | dB  | > 20                               | > 21.7      | > 19.7      | > 17.8      | > 19.2      |
| Cross Polar Discrimination at Boresight | dB  | > 14.3                             | > 17.2      | > 15.7      | > 11.1      | > 13.7      |
| <b>Vertical Pattern:</b>                |     |                                    |             |             |             |             |
| Elevation Beamwidth                     | °   | 30 ± 5.1                           | 30.2 ± 3.2  | 31.0 ± 4.3  | 26.1 ± 5.0  | 28.0 ± 5.4  |
| Electrical Downtilt                     | °   | 0; fixed                           |             |             |             |             |
| Intra-Cluster Isolation                 | dB  | > 25                               |             |             |             |             |
| Inter-Cluster Isolation                 | dB  | > 25 (P2 // R1, R2, Y1, Y2, P1)    |             |             |             |             |
| Max. Effective Power per Port           | W   | 50 (at 50° C ambient temperature)  |             |             |             |             |
| Max. Effective Power Ports P2           | W   | 100 (at 50° C ambient temperature) |             |             |             |             |

Values based on NGMN-P-BASTA (version 11.1) requirements.

## Electrical specifications, all ports

|                                      |            |                                    |
|--------------------------------------|------------|------------------------------------|
| Impedance                            | $\Omega$   | 50                                 |
| VSWR                                 |            | < 1.5                              |
| Return Loss                          | dB         | > 14                               |
| Inter-Cluster Isolation              | dB         | > 20                               |
| Passive Intermodulation              | dBc        | < -153 (2 x 43 dBm carrier)        |
| Polarization                         | $^{\circ}$ | +45, -45                           |
| Max. Effective Power for the Antenna | W          | 800 (at 50° C ambient temperature) |

Values based on NGMN-P-BASTA (version 11.1) requirements.

## Mechanical specifications

|   |   |   |
|---|---|---|
| Input                                     | 12x 4.3-10 female   |   |
| Connector Position                        | bottom  |   |
| Wind load (at Rated Wind Speed: 150 km/h) | N   lbf   | Maximal: 190   43<br>Frontal: 110   25                  |
| Wind Load Standard                        | EN 1994-1-4   |   |
| Wind Load Laboratory                      | TU Dresden;<br>Göttinger-type wind tunnel                           |   |
| Max. Wind Velocity                        | km/h<br>mph   | 324<br>201  |
| Height / Width / Depth                    | mm<br>inches  | 500 / 378 / 164<br>19.7 / 14.9 / 6.5                    |
| Category of Mounting Hardware             | XM (X-Medium)   |   |
| Weight                                    | kg<br>lb  | 9.6 / 10.1 (clamps incl.)<br>21.2 / 22.2 (clamps incl.) |
| Packing Size                              | mm<br>inches  | 634 / 449 / 307<br>24.9 / 17.7 / 12.1                   |
| Scope of Supply                           | Panel and 2 units of clamps for 55–115 mm   2.2–4.5 inches diameter |   |

## Accessories (order separately if required)

| Product No. | Description    | Remarks<br>mm   inches           | Units per antenna |
|-------------|----------------|----------------------------------|-------------------|
| 85010097    | 2 clamps       | Mast diameter: 110–220   4.3–8.7 | 1                 |
| 85010110    | 1 downtilt kit | Downtilt angle: 0°–20°           | 1                 |

## Accessories (included in the scope of supply)

| Product No. | Description | Remarks<br>mm   inches          | Units per antenna |
|-------------|-------------|---------------------------------|-------------------|
| 85010111    | 2 clamps    | Mast diameter: 55–115   2.2–4.5 | 1                 |

For downtilt mounting use the clamps for an appropriate mast diameter together with the downtilt kit.  
Wall mounting: No additional mounting kit needed.

**Material:**

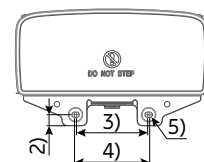
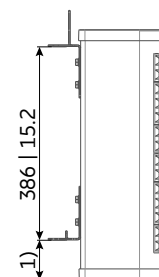
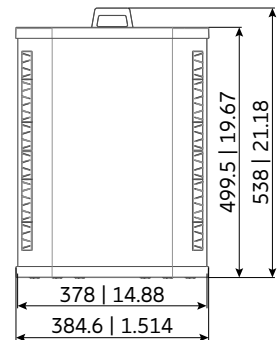
**Reflector screen:** Aluminum.

**Fiberglass housing:** It covers totally the internal antenna components. The special design reduces the sealing areas to a minimum and guarantees the best weather protection. Fiberglass material guarantees optimum performance with regards to stability, stiffness, UV resistance and painting. The color of the radome is light grey.

**All nuts and bolts:** Stainless steel or hot-dip galvanized steel.

**Grounding:**

The metal parts of the antenna including the mounting kit and the inner conductors are DC grounded.

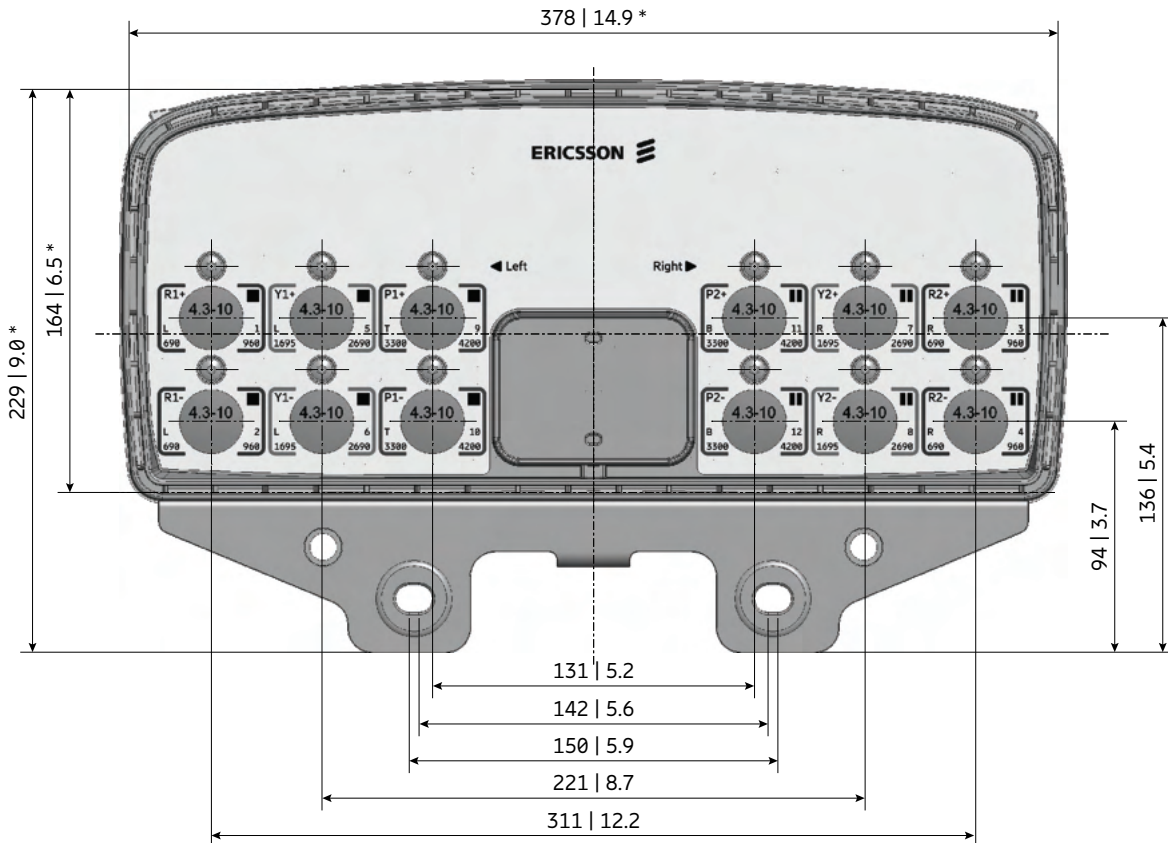


- 1) 79 | 3.1
- 2) 22 | 0.9
- 3) 142 | 5.6
- 4) 150 | 5.9
- 5)  $\varnothing$  11 | 0.4

All dimensions  
in mm | inches

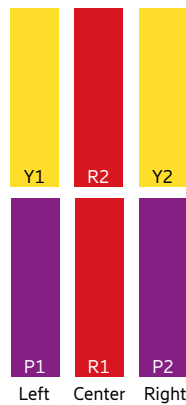


### Layout of interface



### Correlation Table

| Frequency range | Array | Connector / Ports |
|-----------------|-------|-------------------|
| 690–960 MHz     | R1    | 1–2               |
| 690–960 MHz     | R2    | 3–4               |
| 1695–2690 MHz   | Y1    | 5–6               |
| 1695–2690 MHz   | Y2    | 7–8               |
| 3200–4200 MHz   | P1    | 9–10              |
| 3200–4200 MHz   | P2    | 11–12             |





# Antenna 9000 1LM

742192V02

Capacity

Compact

Coverage

67° | 690–2690 MHz | 11.0 dBi



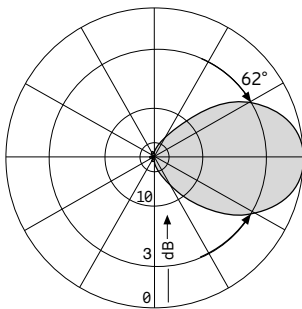
[ericsson.com/antenna-system](https://ericsson.com/antenna-system)



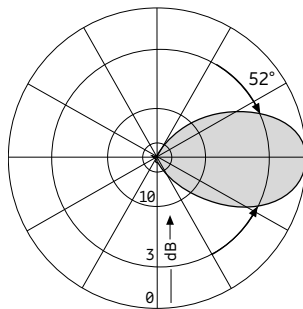
Scan or [click](#)

| Frequency range                                 | MHz        | 690 – 880                          | 880 – 960 | 960 – 1695 | 1695 – 2200 | 2200 – 2490 | 2490 – 2690 |
|---|------------|------------------------------------|-----------|------------|-------------|-------------|-------------|
| VSWR  |            | < 1.6                              | < 1.5     | < 1.5      | < 1.5       | < 1.5       | < 1.5       |
| Gain  | dBi        | 10.1                               | 10.6      | 11.0       | 11.0        | 11.0        | 11.0        |
| Impedance                                       | $\Omega$   | 50                                 | 50        | 50         | 50          | 50          | 50          |
| Polarization                                    |            | Vertical                           | Vertical  | Vertical   | Vertical    | Vertical    | Vertical    |
| Front-to-back ratio                             | db         | > 25                               | > 25      | > 25       | > 25        | > 22        | > 25        |
| Half-power beam width<br>horizontal<br>vertical | $^{\circ}$ | 69<br>54                           | 64<br>53  | 57<br>50   | 53<br>48    | 47<br>46    | 45<br>44    |
| Intermodulation IM3<br>(2 x 43 dBm carrier)     | dBc        | < -150                             | < -150    | < -150     | < -150      | < -150      | < -150      |
| Max. power                                      | W          | 300                                | 300       | 250        | 200         | 170         | 150         |
| Total power                                     | W          | 500 (at 50 °C ambient temperature) |           |            |             |             |             |

## 690 – 1695 MHz

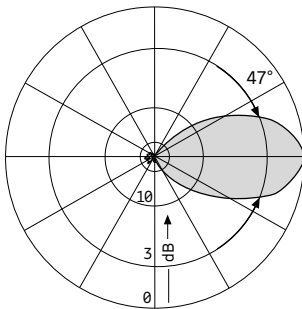


Horizontal Pattern

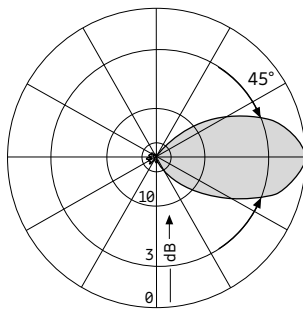


Vertical Pattern

## 1695 – 2690 MHz



Horizontal Pattern



Vertical Pattern

## Mechanical specifications

|   |                 |                                       |                              |
|---|-----------------|---------------------------------------|------------------------------|
| Input   | 1 x 7-16 female |                                       |                              |
| Connector position                              | Bottom          |                                       |                              |
| Wind load<br>(at Rated Wind<br>Speed: 150 km/h) | N   lbf         | Frontal<br>Lateral<br>Rearside        | 20   4<br>210   47<br>30   7 |
| Max. wind velocity                              | km/h<br>mph     | 241<br>150                            |                              |
| Height / width / depth                          | mm<br>inches    | 300 / 155 / 785<br>11.8 / 6.1 / 30.9  |                              |
| Weight  | kg<br>lb        | 5.5<br>12.1                           |                              |
| Packing size                                    | mm<br>inches    | 360 x 175 x 1000<br>14.2 x 6.9 x 39.4 |                              |

**Material:** **Radiator:** Tin-plated copper. **Reflector screen:** Weather-proof aluminum.  
**Radome:** Fiberglass, color: Grey.  
All screws and nuts: Stainless steel

**Mounting:** The antenna can be mounted on tubular mast with supplied clamps:

| Mast diameter<br>mm   inches | Wind speed<br>km/h   mph |
|------------------------------|--------------------------|
| 30–70   1.2–2.8              | < 200   124              |
| 48–70   1.9–2.8              | < 241   150              |

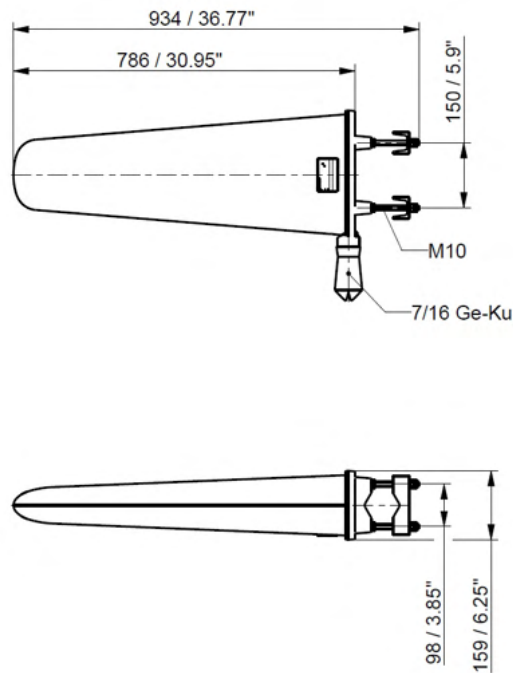
Recommended Torque:  $M_A = 25 \text{ Nm}$ .

**Please note: Ericsson does not recommend to use counter nuts.**

**Grounding:** All metal parts of the antenna as well as the inner conductor are DC grounded.

**Environmental tests:** Ericsson antennas have passed environmental tests as recommended in ETS 300 019-2-4. The homogenous design of Ericsson's antenna families use identical modules and materials. Extensive tests have been performed on typical samples and modules.

**Pressure test:** The antenna has passed a pressure test according to Official Journal of the European Communities L245/171 from 12.09.2002 for the use of the antenna in train tunnels for high speed railways. During test the antenna was subject to alternating pressure with a number of  $1 \times 10^6$  alternations of load. The antenna exceeds the standard as follows:  
Pressure difference according to L245/171: 10 kPa  
Pressure difference during test: 20 kPa



All dimensions in mm / inches



# Antenna 9008 1LM

80010828V01

Capacity

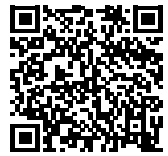
Compact

Coverage

38° / 28° | 790–960 MHz | 14.0 dBi  
38° / 28° | 1710–2170 MHz | 15.5 dBi



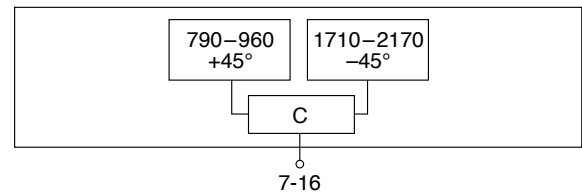
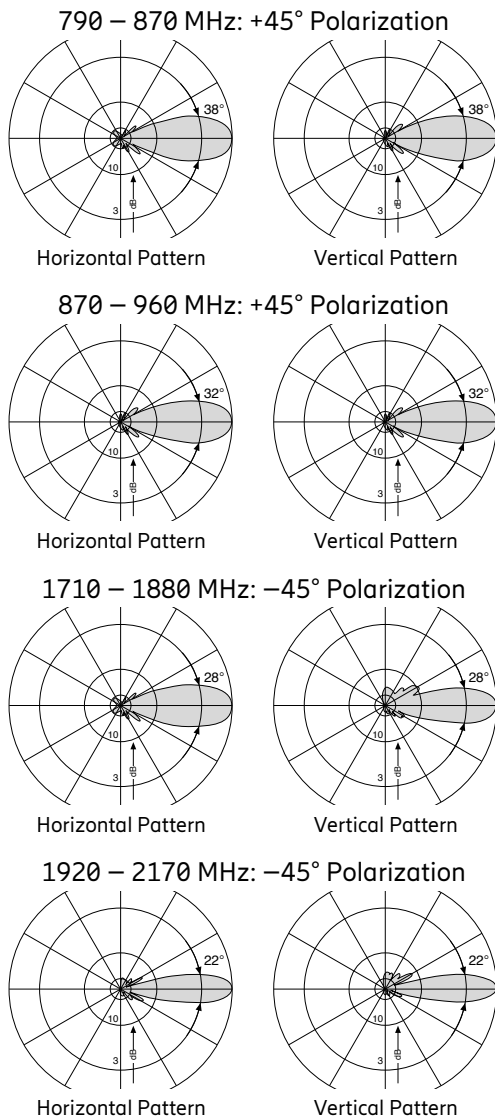
[ericsson.com/antenna-system](https://ericsson.com/antenna-system)



Scan or [click](#)

| Frequency range              | MHz  | 790 – 870                         | 870 – 960 | 1710 – 1880                       | 1920 – 2170 |
|------------------------------|--|-----------------------------------|-----------|-----------------------------------|-------------|
| VSWR                         |  | < 1.5                             | < 1.5     | < 1.5                             | < 1.5       |
| Gain (average)               | dBi  | 13                                | 14        | 13                                | 15.5        |
| Impedance                    | $\Omega$   | 50                                | 50        | 50                                | 50          |
| Polarization                 | $^{\circ}$   | +45                               | +45       | -45                               | -45         |
| Front-to-back ratio          | dB   | $\geq 25$                         | $\geq 25$ | $\geq 27$                         | $\geq 27$   |
| Half-power beam width (avg.) | $^{\circ}$   | 38                                | 32        | 28                                | 22          |
| horizontal                   |  | 38                                | 32        | 28                                | 22          |
| vertical                     |  |                                   |           |                                   |             |
| Max. power                   | W  | 85 (at 50 °C ambient temperature) |           | 15 (at 50 °C ambient temperature) |             |
| Integrated combiner          | The insertion loss is included in the given antenna gain values. |                                   |           |                                   |             |

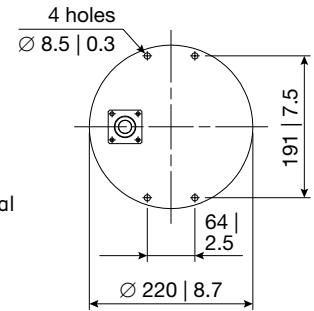
**Please note:** This antenna is suitable for tunnel applications.



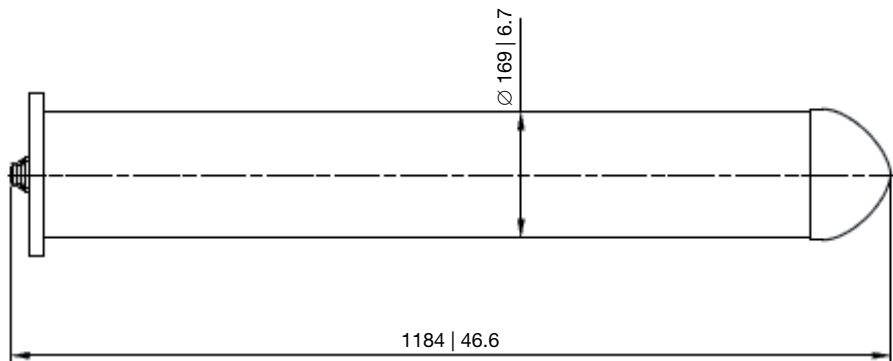
### Mechanical specifications

|   |                 |  |
|---|-----------------|--|
| Input                                     | 1 x 7-16 female |  |
| Connector position                        | Rearside        |  |
| Wind load (at Rated Wind Speed: 150 km/h) | N   lbf         | 200   45   |
| Max. wind velocity                        | km/h<br>mph     | 215<br>134   |
| Dimensions                                | mm<br>inches    | 1184 / $\varnothing$ 170<br>46.6 / $\varnothing$ 6.7 |
| Weight                                    | kg<br>lb        | 6 / 10 (clamps incl.)<br>13.2 / 22.0 (clamps incl.)  |
| Packing size                              | mm<br>inches    | 1350 x 260 x 220<br>53.1 x 10.2 x 8.7                |

|                                  |  |
|----------------------------------|--|
| <b>Material:</b>                 | <b>Reflector:</b> Aluminum, brass. <b>Radome:</b> Fiberglass, color: Grey.<br><b>Base:</b> Weather-proof aluminum. <b>All screws and nuts:</b> Stainless steel.  |
| <b>Mounting:</b>                 | The antenna can be mounted on a tubular mast with a diameter of 42 to 115 mm   1.7 to 4.5 inches, with supplied clamps.  |
| <b>Grounding:</b>                | The metal parts of the antenna including the mounting kit and the inner conductors are DC grounded.  |
| <b>Environmental conditions:</b> | Ericsson cellular antennas are designed to operate under the environmental conditions as described in ETS 300 019-1-4 class 4.1 E.<br>The antennas exceed this standard with regard to the following items: <ul style="list-style-type: none"> <li>– Low temperature: <math>-55^{\circ}\text{C}</math></li> <li>– High temperature (dry): <math>+60^{\circ}\text{C}</math></li> </ul>  |
| <b>Environmental tests:</b>      | The antenna has passed a pressure test and meets the requirements according to Official Journal of the European Communities L245/171 from 12.09.2002 for the use of the antenna in train tunnels for high speed rail-ways. The antenna exceeds the standard as follows.<br>Pressure difference according to L245/171: 10 kPa<br>Pressure difference during test: 100 kPa (const. 24 h) |

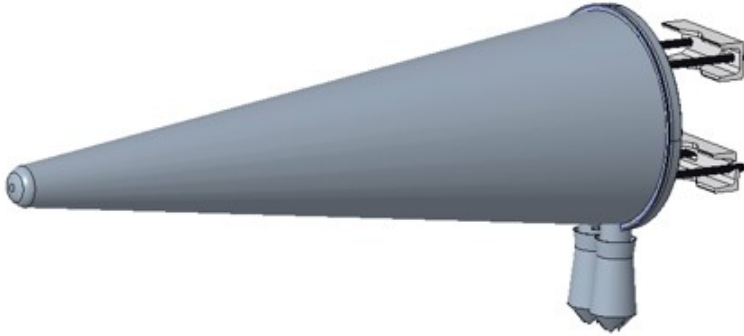


All dimensions in mm | inches



All dimensions in mm | inches

Preliminary Issue



# Antenna 9011 1LM

KRE 101 2571/1

Capacity

Compact

Coverage

65° | 617–4200 MHz | 10.0 dBi



[ericsson.com/antenna-system](https://ericsson.com/antenna-system)



Scan or [click](#)



| Midband                                     |     | P1, connector 1–2                  |           |            |             |             |             |    |
|---|-----|------------------------------------|-----------|------------|-------------|-------------|-------------|----|
| Frequency range                             | MHz | 617 – 806                          | 806 – 960 | 960 – 1695 | 1695 – 2170 | 2170 – 2690 | 3300 – 4200 |    |
| VSWR  |     | < 1.5                              | < 1.5     | < 1.5      | < 1.5       | < 1.5       | < 1.8       |    |
| Gain  | dBi | 9.7                                | 9.8       | 9.7        | 9.7         | 10.0        | 10.3        |    |
| Impedance                                   | Ω   | 50                                 | 50        | 50         | 50          | 50          | 50          |    |
| Polarization                                | °   | ±45                                |           |            |             |             |             |    |
| Front-to-back ratio                         | dB  | > 25                               | > 25      | > 25       | > 25        | > 22        | > 25        |    |
| Half-power beam width                       | °   | horizontal                         | 64        | 62         | 57          | 59          | 55          | 44 |
|   |     | vertical                           | 64        | 63         | 57          | 62          | 59          | 48 |
| Intra-Cluster Isolation                     | dB  | > 25                               |           |            |             |             |             |    |
| Intermodulation IM3<br>(2 x 43 dBm carrier) | dBc | < -153                             |           |            |             |             |             |    |
| Max. power                                  | W   | 300                                | 300       | 250        | 200         | 200         | 50          |    |
| Total power                                 | W   | 500 (at 50 °C ambient temperature) |           |            |             |             |             |    |

### Mechanical specifications

|   |                  |  |          |
|---|------------------|--|----------|
| Input   | 2x 4.3-10 female |  |          |
| Connector position                              | Bottom           |  |          |
| Wind load<br>(at Rated Wind<br>Speed: 150 km/h) | N   lbf          | Frontal                                | 20   4   |
|   |                  | Lateral                                | 210   47 |
|   |                  | Rearside                               | 30   7   |
| Max. wind velocity                              | km/h<br>mph      | 241<br>150                             |          |
| Height / width / depth                          | mm<br>inches     | 300 / 300 / 840<br>11.8 / 11.8 / 33.1  |          |
| Weight  | kg<br>lb         | 8<br>17.6                              |          |
| Packing size                                    | mm<br>inches     | 360 x 360 x 1000<br>14.2 x 14.2 x 39.4 |          |

**Material:** **Radiator:** Tin-plated copper. **Reflector screen:** Weather-proof aluminum.  
**Radome:** Fiberglass, color: Grey.  
 All screws and nuts: Stainless steel

**Mounting:** The antenna can be mounted on tubular mast with supplied clamps:

| Mast diameter<br>mm   inches | Wind speed<br>km/h   mph |
|------------------------------|--------------------------|
| 30–70   1.2–2.8              | < 200   124              |
| 48–70   1.9–2.8              | < 241   150              |

Recommended Torque:  $M_A = 25 \text{ Nm}$ .

**Please note: Ericsson does not recommend to use counter nuts.**

**Grounding:** All metal parts of the antenna as well as the inner conductor are DC grounded.

**Environmental tests:** Ericsson antennas have passed environmental tests as recommended in ETS 300 019-2-4. The homogenous design of Ericsson's antenna families use identical modules and materials. Extensive tests have been performed on typical samples and modules.

**Pressure test:** The antenna has passed a pressure test according to Official Journal of the European Communities L245/171 from 12.09.2002 for the use of the antenna in train tunnels for high speed railways. During test the antenna was subject to alternating pressure with a number of  $1 \times 10^6$  alternations of load. The antenna exceeds the standard as follows:  
 Pressure difference according to L245/171: 10 kPa  
 Pressure difference during test: 20 kPa



# Antenna 9002 0L 1M 0.11m

80010431

Capacity

Compact

Coverage

360° | 1695–2700 MHz | 2.0 dBi



[ericsson.com/antenna-system](https://ericsson.com/antenna-system)



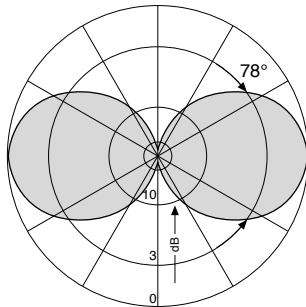
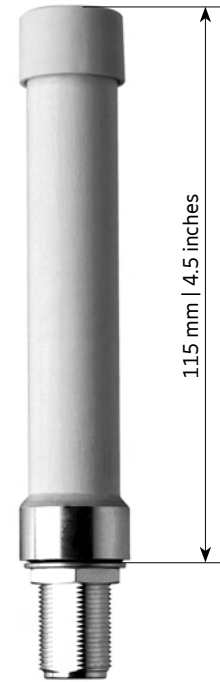
Scan or [click](#)

|                     |          |                                   |
|---------------------|----------|-----------------------------------|
| Input               |          | 1x N female                       |
| Connector position  |          | Bottom or top                     |
| Frequency range     | MHz      | 1695 – 2700                       |
| VSWR                |          | < 1.8                             |
| Gain                | dBi      | 2                                 |
| Impedance           | $\Omega$ | 50                                |
| Intermodulation IM3 | dBc      | < -150 (2 x 43 dBm carrier)       |
| Polarization        |          | Vertical                          |
| Max. power          | W        | 50 (at 50 °C ambient temperature) |
| Weight              | g        | 150                               |
|                     | lb       | 0.33                              |
| Radome diameter     | mm       | 20                                |
|                     | inches   | 0.8                               |
| Height              | mm       | 115                               |
|                     | inches   | 4.5                               |
| Fire load           | kWh      | 0.07                              |

Material: Radiator: Brass.  
Radome: Fiberglass, color: White.

Mounting: One hole mounting (16 mm | 0.6 inches diameter) to surfaces of max. 10 mm | 0.4 inches thickness.

Grounding: All metal parts of the antenna and the mounting kit are DC grounded. The inner conductor is not DC grounded.



Vertical Pattern



# Antenna 9002 1LM 0.2m

80010846

Capacity

Compact

Coverage

360° | 694–960 MHz | 2.0 dBi

360° | 1695–2700 MHz | 2.0 dBi



[ericsson.com/antenna-system](https://ericsson.com/antenna-system)

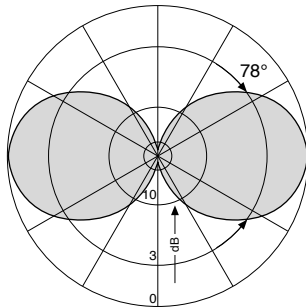
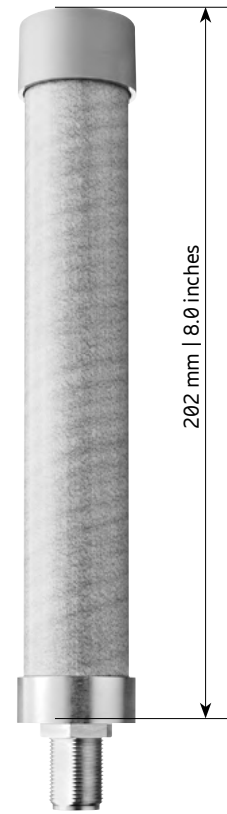


Scan or [click](#)

|                            |          |                                   |                    |                    |                      |
|----------------------------|----------|-----------------------------------|--------------------|--------------------|----------------------|
| Input                      |          | 1x N female                       |                    |                    |                      |
| Connector position         |          | Bottom or top                     |                    |                    |                      |
| Frequency range            | MHz      | 694 – 960 / 1695 – 2700           |                    |                    |                      |
| VSWR                       | MHz      | 694 – 864<br>< 2.0                | 864 – 894<br>< 2.2 | 894 – 960<br>< 2.5 | 1695 – 2700<br>< 2.0 |
| Gain                       | dBi      | 2                                 |                    |                    |                      |
| Impedance                  | $\Omega$ | 50                                |                    |                    |                      |
| Intermodulation IM3        | dBc      | < -150 (2 x 43 dBm carrier)       |                    |                    |                      |
| Polarization               |          | Vertical                          |                    |                    |                      |
| Max. power                 | W        | 50 (at 50 °C ambient temperature) |                    |                    |                      |
| Weight                     | g        | 210                               |                    |                    |                      |
|                            | lb       | 0.46                              |                    |                    |                      |
| Wind load<br>(at 150 km/h) | N        | 6                                 |                    |                    |                      |
|                            | lbf      | 1.3                               |                    |                    |                      |
| Radome diameter            | mm       | 30                                |                    |                    |                      |
|                            | inches   | 1.2                               |                    |                    |                      |
| Height                     | mm       | 202                               |                    |                    |                      |
|                            | inches   | 8.0                               |                    |                    |                      |
| Fire load                  | kWh      | 0.2                               |                    |                    |                      |

Material: Radiator: Brass.  
Radome: Fiberglass, colour: White.

Mounting: One hole mounting (16 mm | 0.6 inches diameter) to surfaces of max. 10 mm | 0.4 inches thickness.



Vertical Pattern



# Antenna 9002 0L 1M 0.7m

80020126

Capacity **Compact** Coverage

360° | 1710–2690 MHz | 5.0 dBi



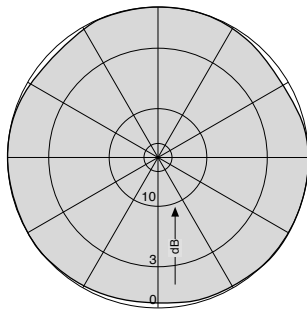
[ericsson.com/antenna-system](https://ericsson.com/antenna-system)



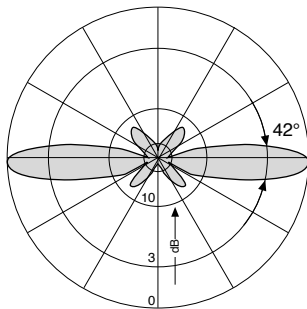
Scan or [click](#)

|                            |     |                                    |             |             |             |
|----------------------------|-----|------------------------------------|-------------|-------------|-------------|
| Frequency range            | MHz | 1710 – 1990                        | 1920 – 2170 | 2170 – 2490 | 2490 – 2690 |
| Polarization               | °   | +45, -45                           | +45, -45    | +45, -45    | +45, -45    |
| Gain                       | dBi | 2 x 5                              | 2 x 5       | 2 x 5       | 2 x 5       |
| <b>Horizontal Pattern:</b> |     |                                    |             |             |             |
| Half-power beam width      |     | Omni                               | Omni        | Omni        | Omni        |
| Deviation from circularity | dB  | ±1                                 | ±1          | ±1.5        | ±1.5        |
| <b>Vertical Pattern:</b>   |     |                                    |             |             |             |
| Half-power beam width      | °   | 42                                 | 40          | 36          | 33          |
| Electrical tilt            | °   | 0, fixed                           |             |             |             |
| Impedance                  | Ω   | 50                                 |             |             |             |
| VSWR                       |     | < 1.5                              |             |             |             |
| Isolation, between ports   | dB  | > 30                               |             |             |             |
| Intermodulation IM3        | dBc | < -153 (2 x 43 dBm carrier)        |             |             |             |
| Max. power per input       | W   | 100 (at 50 °C ambient temperature) |             |             |             |

## 1710–2690 MHz: +45°/–45° Polarization



Horizontal Pattern

Vertical Pattern  
0° electrical downtilt

## Mechanical specifications

|                            |   |                                     |
|----------------------------|---|-------------------------------------|
| Input                      | 2x 4.3-10 female  |                                     |
| Connector position         | Bottom  |                                     |
| Weight                     | kg<br>lb  | 2.3<br>5.1                          |
| Wind load<br>(at 150 km/h) | N<br>lbf  | 50<br>11.2                          |
| Max. wind velocity         | km/h<br>mph   | 200<br>124                          |
| Mechanical interface       | Flange connection 8 x M6<br>at a graduated diameter of<br>136 mm   5.4 inches.<br>Evenness of the opposite<br>surface: 0.5 mm   0.02 inches |                                     |
| Packing size               | mm<br>inches  | 742 x 220 x 219<br>29.2 x 8.7 x 8.6 |
| Height / diameter          | mm<br>inches  | 691 / 100<br>27.2 / 3.9             |



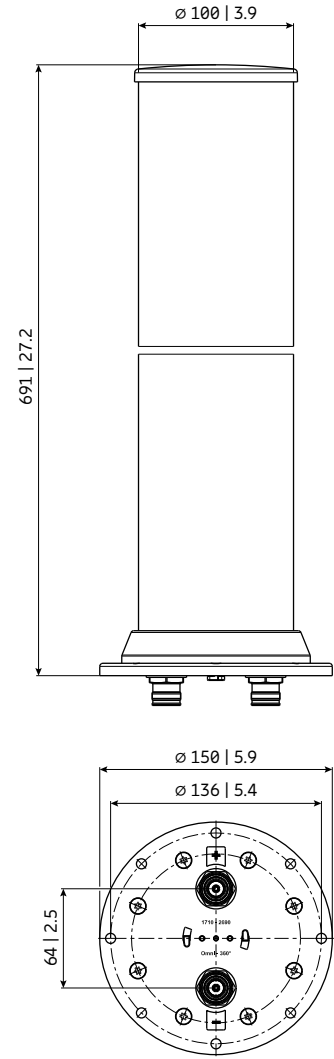
**Antenna area:****Reflector screen:** Aluminum.**Radiator:** Tin plated zinc.**Cylindrical fiberglass radome:** The max. radome diameter is only 100 mm | 3.9 inches. Fiberglass material guarantees optimum performance with regards to stability, stiffness, UV resistance and painting. The colour of the radome is similar to light grey RAL 7035.**All screws and nuts:** Stainless steel.**Environmental conditions:**

Ericsson cellular antennas are designed to operate under the environmental conditions as described in ETS 300 019-1-4 class 4.1 E. The antennas exceed this standard with regard to the following items:

- Low temperature:  $-55\text{ }^{\circ}\text{C}$
- High temperature (dry):  $+55\text{ }^{\circ}\text{C}$

**Ice protection:** Due to the very sturdy antenna construction and the protection of the radiating system by the radome, the antenna remains operational even under icy conditions.**Environmental tests:**

Ericsson antennas have passed environmental tests as recommended in ETS 300 019-2-4. The homogenous design of Ericsson's antenna families use identical modules and materials. Extensive tests have been performed on typical samples and modules.



All dimensions in mm | inches

|                            |   |                            |
|----------------------------|---|----------------------------|
| Multi-Band Combiner        | Dual-Band Combiner<br>Triple-Band Combiner<br>Quad-Band Combiner          | Multi-Band Combiner        |
| Tower Mounted Amplifier    | Single-Band TMA<br>Dual-Band TMA<br>Triple-Band TMA                       | Tower Mounted Amplifier    |
| Spectrum Limitation Filter |   | Spectrum Limitation Filter |
| Hybrid Combiner            |   | Hybrid Combiner            |
| RF Component               | DC-Stop<br>Smart Bias Tee / RIU / RMU<br>Splitter / Tapper<br>50 Ohm Load | RF Component               |

## Multi-Band Combiner – Dual-Band

| Product Name<br>Product No.                | Frequency<br>(MHz)             | Combiner type                           | Connector type<br>(female) | Page                |
|--|--------------------------------|---|----------------------------|---------------------|
| Dual-Band Combiner (2-1)<br>78211180V43    | 690-2180 + 2400-2700           | DC bypass all ports                     | 4.3-10                     | <a href="#">504</a> |
| Dual-Band Combiner (4-2)<br>78211181V43    | 690-2180 + 2400-2700           | DC bypass all ports                     | 4.3-10                     |                     |
| Dual-Band Combiner (4-2)<br>KRF 102 301/2  | 698-960, 1710-2200 + 2495-2690 | DC bypass on all ports                  | 7-16                       | <a href="#">507</a> |
| Dual-Band Combiner (4-2)<br>KRF 102 301/9  | 698-960, 1710-2200 + 2495-2690 | DC bypass on all ports                  | 4.3-10                     |                     |
| Dual-Band Combiner (8-4)<br>KRF 102 301/10 | 698-960, 1710-2200 + 2495-2690 | DC bypass on all ports                  | 4.3-10                     |                     |
| Dual-Band Combiner (4-2)<br>78211288V43    | 698-806 + 824-960              | DC Auto-Sense<br>'First In - First Out' | 4.3-10                     | <a href="#">509</a> |
| Dual-Band Combiner (4-2)<br>78211288V44    | 698-806 + 824-960              | DC Auto-Sense<br>'Priority Controlled'  | 4.3-10                     |                     |
| Dual-Band Combiner (4-2)<br>KRF 102 378/12 | 698-803 + 824-894              | DC bypass on all ports                  | 4.3-10                     | <a href="#">512</a> |
| Dual-Band Combiner (2-1)<br>78211430V43    | 694-862 + 880-960              | DC bypass all ports                     | 4.3-10                     | <a href="#">514</a> |
| Dual-Band Combiner (4-2)<br>78211431V43    | 694-862 + 880-960              | DC bypass all ports                     | 4.3-10                     |                     |
| Dual-Band Combiner (4-2)<br>78211438V43    | 694-862 + 880-960              | DC Auto-Sense<br>'First In - First Out' | 4.3-10                     | <a href="#">517</a> |
| Dual-Band Combiner (4-2)<br>78211438V44    | 694-862 + 880-960              | DC Auto-Sense<br>'Priority Controlled'  | 4.3-10                     |                     |
| Dual-Band Combiner (4-2)<br>KRF 102 405/2  | 694-862 + 880-960              | DC bypass on all ports                  | 4.3-10                     | <a href="#">520</a> |
| Dual-Band Combiner (2-1)<br>78211470       | 703-788 + 791-960              | DC bypass all ports                     | 4.3-10                     | <a href="#">522</a> |
| Dual-Band Combiner (4-2)<br>78211471       | 703-788 + 791-960              | DC bypass all ports                     | 4.3-10                     |                     |
| Dual-Band Combiner (2-1)<br>78211472       | 703-788 + 791-960              | DC bypass 791-960                       | 4.3-10                     |                     |
| Dual-Band Combiner (4-2)<br>78211473       | 703-788 + 791-960              | DC bypass 791-960                       | 4.3-10                     | <a href="#">525</a> |
| Dual-Band Combiner (4-2)<br>78211476       | 703-788 + 791-960              | DC bypass cross version                 | 4.3-10                     |                     |
| Dual-Band Combiner (4-2)<br>78211478       | 703-788 + 791-960              | DC Auto-Sense<br>'First In - First Out' | 4.3-10                     | <a href="#">528</a> |
| Dual-Band Combiner (4-2)<br>78211478V01    | 703-788 + 791-960              | DC Auto-Sense<br>'Priority Controlled'  | 4.3-10                     |                     |
| Dual-Band Combiner (2-1)<br>78210970V43    | 790-862 + 880-960              | DC bypass all ports                     | 4.3-10                     | <a href="#">531</a> |
| Dual-Band Combiner (4-2)<br>78210971V43    | 790-862 + 880-960              | DC bypass all ports                     | 4.3-10                     |                     |
| Dual-Band Combiner (2-1)<br>78210972V43    | 790-862 + 880-960              | DC bypass 880-960                       | 4.3-10                     |                     |
| Dual-Band Combiner (4-2)<br>78210973V43    | 790-862 + 880-960              | DC bypass 880-960                       | 4.3-10                     | <a href="#">534</a> |
| Dual-Band Combiner (2-1)<br>78210974V43    | 790-862 + 880-960              | DC bypass 790-862                       | 4.3-10                     |                     |
| Dual-Band Combiner (4-2)<br>78210975V43    | 790-862 + 880-960              | DC bypass 790-862                       | 4.3-10                     | <a href="#">537</a> |
| Dual-Band Combiner (4-2)<br>78210978V43    | 790-862 + 880-960              | DC Auto-Sense<br>'First In - First Out' | 4.3-10                     |                     |
| Dual-Band Combiner (4-2)<br>78210978V44    | 790-862 + 880-960              | DC Auto-Sense<br>'Priority Controlled'  | 4.3-10                     |                     |
| Dual-Band Combiner (4-2)<br>78210979V43    | 790-862 + 880-960              | DC bypass cross version                 | 4.3-10                     |                     |

## Multi-Band Combiner – Dual-Band

| Product Name<br>Product No.               | Frequency<br>(MHz)    | Combiner type                           | Connector type<br>(female) | Page                |
|---|-----------------------|---|----------------------------|---------------------|
| Dual-Band Combiner (2-1)<br>78211460      | 380-960 + 1427-3800   | DC bypass all ports                     | 4.3-10                     | <a href="#">540</a> |
| Dual-Band Combiner (4-2)<br>78211461      | 380-960 + 1427-3800   | DC bypass all ports                     | 4.3-10                     |                     |
| Dual-Band Combiner (2-1)<br>78211462      | 380-960 + 1427-3800   | DC bypass 1427-3800                     | 4.3-10                     |                     |
| Dual-Band Combiner (4-2)<br>78211463      | 380-960 + 1427-3800   | DC bypass 1427-3800                     | 4.3-10                     |                     |
| Dual-Band Combiner (4-2)<br>78211466      | 380-960 + 1427-3800   | DC bypass cross version                 | 4.3-10                     | <a href="#">543</a> |
| Dual-Band Combiner (4-2)<br>78211468      | 380-960 + 1427-3800   | DC Auto-Sense<br>'First In - First Out' | 4.3-10                     | <a href="#">546</a> |
| Dual-Band Combiner (4-2)<br>78211468V01   | 380-960 + 1427-3800   | DC Auto-Sense<br>'Priority Controlled'  | 4.3-10                     |                     |
| Dual-Band Combiner (2-1)<br>78210660      | 470-960 + 1695-2700   | DC bypass all ports                     | 7-16                       | <a href="#">549</a> |
| Dual-Band Combiner (4-2)<br>78210661      | 470-960 + 1695-2700   | DC bypass all ports                     | 7-16                       |                     |
| Dual-Band Combiner (2-1)<br>78210662      | 470-960 + 1695-2700   | DC bypass 1695-2700                     | 7-16                       |                     |
| Dual-Band Combiner (4-2)<br>78210663      | 470-960 + 1695-2700   | DC bypass 1695-2700                     | 7-16                       |                     |
| Dual-Band Combiner (4-2)<br>78210669      | 470-960 + 1695-2700   | DC bypass cross version                 | 7-16                       | <a href="#">552</a> |
| Dual-Band Combiner (2-1)<br>78210660V43   | 470-960 + 1695-2700   | DC bypass all ports                     | 4.3-10                     | <a href="#">555</a> |
| Dual-Band Combiner (4-2)<br>78210661V43   | 470-960 + 1695-2700   | DC bypass all ports                     | 4.3-10                     |                     |
| Dual-Band Combiner (2-1)<br>78210662V43   | 470-960 + 1695-2700   | DC bypass 1695-2700                     | 4.3-10                     |                     |
| Dual-Band Combiner (4-2)<br>78210663V43   | 470-960 + 1695-2700   | DC bypass 1695-2700                     | 4.3-10                     |                     |
| Dual-Band Combiner (4-2)<br>78210669V43   | 470-960 + 1710-2700   | DC bypass cross version                 | 4.3-10                     | <a href="#">558</a> |
| Dual-Band Combiner (4-2)<br>78211628      | 1427-1880 + 1920-2690 | DC Auto-Sense<br>'First In - First Out' | 4.3-10                     | <a href="#">561</a> |
| Dual-Band Combiner (4-2)<br>78211628V01   | 1427-1880 + 1920-2690 | DC Auto-Sense<br>'Priority Controlled'  | 4.3-10                     |                     |
| Dual-Band Combiner (4-2)<br>KRF 102 386/8 | 1710-1880 + 1920-2690 | DC bypass on all ports                  | 4.3-10                     | <a href="#">564</a> |
| Dual-Band Combiner (2-1)<br>78210620V43   | 1710-1880 + 1920-2200 | DC bypass all ports                     | 4.3-10                     | <a href="#">566</a> |
| Dual-Band Combiner (4-2)<br>78210621V43   | 1710-1880 + 1920-2200 | DC bypass all ports                     | 4.3-10                     |                     |
| Dual-Band Combiner (2-1)<br>78210622V43   | 1710-1880 + 1920-2200 | DC bypass 1920-2200                     | 4.3-10                     |                     |
| Dual-Band Combiner (4-2)<br>78210623V43   | 1710-1880 + 1920-2200 | DC bypass 1920-2200                     | 4.3-10                     |                     |
| Dual-Band Combiner (4-2)<br>78210626V43   | 1710-1880 + 1920-2200 | DC bypass cross version                 | 4.3-10                     | <a href="#">569</a> |
| Dual-Band Combiner (4-2)<br>78210628V43   | 1710-1880 + 1920-2200 | DC Auto-Sense<br>'First In - First Out' | 4.3-10                     | <a href="#">572</a> |
| Dual-Band Combiner (4-2)<br>78210628V44   | 1710-1880 + 1920-2200 | DC Auto-Sense<br>'Priority Controlled'  | 4.3-10                     |                     |

## Multi-Band Combiner – Dual-Band

| Product Name<br>Product No.               | Frequency<br>(MHz)                  | Combiner type                           | Connector type<br>(female) | Page                |
|---|-------------------------------------|---|----------------------------|---------------------|
| Dual-Band Combiner (2-1)<br>78211530      | 1427-1518 + 1710-2690               | DC bypass all ports                     | 4.3-10                     | <a href="#">575</a> |
| Dual-Band Combiner (4-2)<br>78211531      | 1427-1518 + 1710-2690               | DC bypass all ports,                    | 4.3-10                     |                     |
| Dual-Band Combiner (2-1)<br>78211532      | 1427-1518 + 1710-2690               | DC bypass 1710-2690                     | 4.3-10                     |                     |
| Dual-Band Combiner (4-2)<br>78211533      | 1427-1518 + 1710-2690               | DC bypass 1710-2690                     | 4.3-10                     |                     |
| Dual-Band Combiner (4-2)<br>78211536      | 1427-1518 + 1710-2690               | DC bypass cross version                 | 4.3-10                     | <a href="#">578</a> |
| Dual-Band Combiner (4-2)<br>78211538      | 1427-1518 + 1710-2690               | DC Auto-Sense<br>'First In - First Out' | 4.3-10                     | <a href="#">581</a> |
| Dual-Band Combiner (4-2)<br>78211538V01   | 1427-1518 + 1710-2690               | DC Auto-Sense<br>'Priority Controlled'  | 4.3-10                     |                     |
| Dual-Band Combiner (4-2)<br>KRF 102 419/1 | 1427-1518 + 1710-2690               | DC bypass on all ports                  | 4.3-10                     | <a href="#">584</a> |
| Dual-Band Combiner (2-1)<br>78211790      | 1427-2200 + 2300-2690               | DC bypass all ports                     | 4.3-10                     | <a href="#">586</a> |
| Dual-Band Combiner (4-2)<br>78211791      | 1427-2200 + 2300-2690               | DC bypass all ports                     | 4.3-10                     |                     |
| Dual-Band Combiner (2-1)<br>78211792      | 1427-2200 + 2300-2690               | DC bypass 2300-2690                     | 4.3-10                     |                     |
| Dual-Band Combiner (4-2)<br>78211793      | 1427-2200 + 2300-2690               | DC bypass 2300-2690                     | 4.3-10                     |                     |
| Dual-Band Combiner (2-1)<br>78211794      | 1427-2200 + 2300-2690               | DC bypass 1427-2200                     | 4.3-10                     |                     |
| Dual-Band Combiner (4-2)<br>78211795      | 1427-2200 + 2300-2690               | DC bypass 1427-2200                     | 4.3-10                     |                     |
| Dual-Band Combiner (4-2)<br>78211796      | 1427-2200 + 2300-2690               | DC bypass cross version                 | 4.3-10                     |                     |
| Dual-Band Combiner (4-2)<br>78211798      | 1427-2200 + 2300-2690               | DC Auto-Sense<br>'First In - First Out' | 4.3-10                     |                     |
| Dual-Band Combiner (4-2)<br>78211798V01   | 1427-2200 + 2300-2690               | DC Auto-Sense<br>'Priority Controlled'  | 4.3-10                     | <a href="#">592</a> |
| Dual-Band Combiner (4-2)<br>KRF 102 409/1 | 1850-1995 + 1695-1780, 2110-2360    | DC bypass on all ports                  | 4.3-10                     | <a href="#">595</a> |
| Dual-Band Combiner (8-4)<br>KRF 102 409/2 | 1850-1995 + 1695-1780, 2110-2360    | DC bypass on all ports                  | 4.3-10                     |                     |
| Dual-Band Combiner (4-2)<br>KRF 102 409/3 | 1850-1995 + 1695-1780, 2110-2360    | DC bypass on all ports                  | 4.3-10                     |                     |
| Dual-Band Combiner (8-4)<br>KRF 102 407/2 | 2300-2400 + 2496-2690               | DC bypass on all ports                  | 4.3-10                     | <a href="#">597</a> |
| Dual-Band Combiner (4-2)<br>KRF 102 432/4 | 2540-2560, 2660-2680 +<br>2600-2615 | DC bypass on all ports                  | 4.3-10                     | <a href="#">599</a> |

New Product

## Multi-Band Combiner – Triple-Band

| Product Name<br>Product No.               | Frequency<br>(MHz)              | Combiner type                           | Connector type<br>(female) | Page                |
|---|---------------------------------|---|----------------------------|---------------------|
| Triple-Band Combiner (3-1)<br>78211820    | 690-862 + 880-960 + 1427-3800   | DC bypass all ports                     | 4.3-10                     | <a href="#">601</a> |
| Triple-Band Combiner (6-2)<br>78211821    | 690-862 + 880-960 + 1427-3800   | DC bypass all ports                     | 4.3-10                     |                     |
| Triple-Band Combiner (6-2)<br>78211828    | 690-862 + 880-960 + 1427-3800   | DC Auto-Sense<br>'First In - First Out' | 4.3-10                     | <a href="#">604</a> |
| Triple-Band Combiner (6-2)<br>78211828V01 | 690-862 + 880-960 + 1427-3800   | DC Auto-Sense<br>'Priority Controlled'  | 4.3-10                     |                     |
| Triple-Band Combiner (3-1)<br>78211490    | 703-788 + 791-960 + 1427-3800   | DC bypass all ports                     | 4.3-10                     | <a href="#">607</a> |
| Triple-Band Combiner (6-2)<br>78211491    | 703-788 + 791-960 + 1427-3800   | DC bypass all ports                     | 4.3-10                     |                     |
| Triple-Band Combiner (6-2)<br>78211498    | 703-788 + 791-960 + 1427-3800   | DC Auto-Sense<br>'First In - First Out' | 4.3-10                     | <a href="#">610</a> |
| Triple-Band Combiner (6-2)<br>78211498V01 | 703-788 + 791-960 + 1427-3800   | DC Auto-Sense<br>'Priority Controlled'  | 4.3-10                     |                     |
| Triple-Band Combiner (3-1)<br>78211450    | 380-960 + 1427-2200 + 2300-2690 | DC bypass all ports                     | 4.3-10                     | <a href="#">613</a> |
| Triple-Band Combiner (6-2)<br>78211451    | 380-960 + 1427-2200 + 2300-2690 | DC bypass all ports                     | 4.3-10                     |                     |
| Triple-Band Combiner (3-1)<br>78211452    | 380-960 + 1427-2200 + 2300-2690 | DC bypass 2300-2690                     | 4.3-10                     | <a href="#">616</a> |
| Triple-Band Combiner (6-2)<br>78211453    | 380-960 + 1427-2200 + 2300-2690 | DC bypass 2300-2690                     | 4.3-10                     |                     |
| Triple-Band Combiner (6-2)<br>78211458    | 380-960 + 1427-2200 + 2300-2690 | DC Auto-Sense<br>'First In - First Out' | 4.3-10                     |                     |
| Triple-Band Combiner (6-2)<br>78211458V01 | 380-960 + 1427-2200 + 2300-2690 | DC Auto-Sense<br>'Priority Controlled'  | 4.3-10                     | <a href="#">619</a> |
| Triple-Band Combiner (3-1)<br>78211560    | 380-960 + 1427-1880 + 1920-2690 | DC bypass all ports                     | 4.3-10                     |                     |
| Triple-Band Combiner (6-2)<br>78211561    | 380-960 + 1427-1880 + 1920-2690 | DC bypass all ports                     | 4.3-10                     | <a href="#">622</a> |
| Triple-Band Combiner (3-1)<br>78211562    | 380-960 + 1427-1880 + 1920-2690 | DC bypass 1920-2690                     | 4.3-10                     |                     |
| Triple-Band Combiner (6-2)<br>78211563    | 380-960 + 1427-1880 + 1920-2690 | DC bypass 1920-2690                     | 4.3-10                     |                     |
| Triple-Band Combiner (6-2)<br>78211568    | 380-960 + 1427-1880 + 1920-2690 | DC Auto-Sense<br>'First In - First Out' | 4.3-10                     | <a href="#">625</a> |
| Triple-Band Combiner (6-2)<br>78211568V01 | 380-960 + 1427-1880 + 1920-2690 | DC Auto-Sense<br>'Priority Controlled'  | 4.3-10                     |                     |
| Triple-Band Combiner (3-1)<br>78211570    | 380-960 + 1427-1518 + 1710-2690 | DC bypass all ports                     | 4.3-10                     | <a href="#">628</a> |
| Triple-Band Combiner (6-2)<br>78211571    | 380-960 + 1427-1518 + 1710-2690 | DC bypass all ports                     | 4.3-10                     |                     |
| Triple-Band Combiner (3-1)<br>78211574    | 380-960 + 1427-1518 + 1710-2690 | DC bypass 380-960                       | 4.3-10                     | <a href="#">628</a> |
| Triple-Band Combiner (6-2)<br>78211575    | 380-960 + 1427-1518 + 1710-2690 | DC bypass 380-960                       | 4.3-10                     |                     |
| Triple-Band Combiner (6-2)<br>78211578    | 380-960 + 1427-1518 + 1710-2690 | DC Auto-Sense<br>'First In - First Out' | 4.3-10                     | <a href="#">628</a> |
| Triple-Band Combiner (6-2)<br>78211578V01 | 380-960 + 1427-1518 + 1710-2690 | DC Auto-Sense<br>'Priority Controlled'  | 4.3-10                     |                     |

## Multi-Band Combiner – Triple-Band

| Product Name<br>Product No.                 | Frequency<br>(MHz)                              | Combiner type                           | Connector type<br>(female) | Page                |
|---|---|---|----------------------------|---------------------|
| Triple-Band Combiner (3-1)<br>78211690      | 1427-1880 + 1920-2360 + 2496-2690               | DC bypass all ports                     | 4.3-10                     | <a href="#">631</a> |
| Triple-Band Combiner (6-2)<br>78211691      | 1427-1880 + 1920-2360 + 2496-2690               | DC bypass all ports                     | 4.3-10                     |                     |
| Triple-Band Combiner (6-2)<br>78211696      | 1427-1880 + 1920-2360 + 2496-2690               | DC bypass cross version                 | 4.3-10                     | <a href="#">634</a> |
| Triple-Band Combiner (3-1)<br>78211697      | 1427-1880 + 1920-2360 + 2496-2690               | DC Auto-Sense<br>'First In - First Out' | 4.3-10                     | <a href="#">637</a> |
| Triple-Band Combiner (3-1)<br>78211697V01   | 1427-1880 + 1920-2360 + 2496-2690               | DC Auto-Sense<br>'Priority Controlled'  | 4.3-10                     |                     |
| Triple-Band Combiner (6-2)<br>78211698      | 1427-1880 + 1920-2360 + 2496-2690               | DC Auto-Sense<br>'First In - First Out' | 4.3-10                     |                     |
| Triple-Band Combiner (6-2)<br>78211698V01   | 1427-1880 + 1920-2360 + 2496-2690               | DC Auto-Sense<br>'Priority Controlled'  | 4.3-10                     |                     |
| Triple-Band Combiner (3-1)<br>78211400V43   | 1710-1880 + 1920-2170 + 2300-2700               | DC bypass all ports                     | 4.3-10                     | <a href="#">640</a> |
| Triple-Band Combiner (6-2)<br>78211401V43   | 1710-1880 + 1920-2170 + 2300-2700               | DC bypass all ports                     | 4.3-10                     |                     |
| Triple-Band Combiner (3-1)<br>78211402V43   | 1710-1880 + 1920-2170 + 2300-2700               | DC bypass 1710-1880                     | 4.3-10                     |                     |
| Triple-Band Combiner (6-2)<br>78211403V43   | 1710-1880 + 1920-2170 + 2300-2700               | DC bypass 1710-1880                     | 4.3-10                     |                     |
| Triple-Band Combiner (3-1)<br>78211404V43   | 1710-1880 + 1920-2170 + 2300-2700               | DC bypass 1920-2170                     | 4.3-10                     |                     |
| Triple-Band Combiner (6-2)<br>78211405V43   | 1710-1880 + 1920-2170 + 2300-2700               | DC bypass 1920-2170                     | 4.3-10                     |                     |
| Triple-Band Combiner (3-1)<br>78211407V43   | 1710-1880 + 1920-2170 + 2300-2700               | DC Auto-Sense<br>'First In - First Out' | 4.3-10                     |                     |
| Triple-Band Combiner (3-1)<br>78211407V44   | 1710-1880 + 1920-2170 + 2300-2700               | DC Auto-Sense<br>'Priority Controlled'  | 4.3-10                     |                     |
| Triple-Band Combiner (6-2)<br>78211408V43   | 1710-1880 + 1920-2170 + 2300-2700               | DC Auto-Sense<br>'First In - First Out' | 4.3-10                     | <a href="#">643</a> |
| Triple-Band Combiner (6-2)<br>78211408V44   | 1710-1880 + 1920-2170 + 2300-2700               | DC Auto-Sense<br>'Priority Controlled'  | 4.3-10                     |                     |
| Triple-Band Combiner (6-2)<br>KRF 102 449/1 | 1710-1780, 2110-2180 +<br>1850-1995 + 2496-2690 | no DC/AISG bypass                       | NEX10/4.3-10               |                     |
| Triple-Band Combiner (6-2)<br>KRF 102 449/2 | 1710-1780, 2110-2180 +<br>1850-1995 + 2496-2690 | no DC/AISG bypass                       | NEX10/4.3-10               |                     |

## Multi-Band Combiner – Quad-Band

| Product Name<br>Product No.             | Frequency<br>(MHz)                          | Combiner type                           | Connector type<br>(female) | Page                |
|---|---|---|----------------------------|---------------------|
| Quad-Band Combiner (4-1)<br>78211580    | 380-960 + 1427-1880 + 1920-2200 + 2300-2690 | DC bypass all ports                     | 4.3-10                     | <a href="#">648</a> |
| Quad-Band Combiner (8-2)<br>78211581    | 380-960 + 1427-1880 + 1920-2200 + 2300-2690 | DC bypass all ports                     | 4.3-10                     |                     |
| Quad-Band Combiner (4-1)<br>78211582    | 380-960 + 1427-1880 + 1920-2200 + 2300-2690 | DC bypass 2300-2690                     | 4.3-10                     |                     |
| Quad-Band Combiner (8-2)<br>78211583    | 380-960 + 1427-1880 + 1920-2200 + 2300-2690 | DC bypass 2300-2690                     | 4.3-10                     |                     |
| Quad-Band Combiner (4-1)<br>78211584    | 380-960 + 1427-1880 + 1920-2200 + 2300-2690 | DC bypass 1920-2200                     | 4.3-10                     |                     |
| Quad-Band Combiner (8-2)<br>78211585    | 380-960 + 1427-1880 + 1920-2200 + 2300-2690 | DC bypass 1920-2200                     | 4.3-10                     |                     |
| Quad-Band Combiner (8-2)<br>78211588    | 380-960 + 1427-1880 + 1920-2200 + 2300-2690 | DC Auto-Sense<br>'First In - First Out' | 4.3-10                     | <a href="#">651</a> |
| Quad-Band Combiner (8-2)<br>78211588V01 | 380-960 + 1427-1880 + 1920-2200 + 2300-2690 | DC Auto-Sense<br>'Priority Controlled'  | 4.3-10                     |                     |
| Quad-Band Combiner (4-1)<br>78211340    | 690-862 + 880-960 + 1427-1880 + 1920-2690   | DC bypass all ports                     | 4.3-10                     | <a href="#">654</a> |
| Quad-Band Combiner (8-2)<br>78211341    | 690-862 + 880-960 + 1427-1880 + 1920-2690   | DC bypass all ports                     | 4.3-10                     |                     |
| Quad-Band Combiner (8-2)<br>78211348    | 690-862 + 880-960 + 1427-1880 + 1920-2690   | DC Auto-Sense<br>'First In - First Out' | 4.3-10                     | <a href="#">657</a> |
| Quad-Band Combiner (8-2)<br>78211348V01 | 690-862 + 880-960 + 1427-1880 + 1920-2690   | DC Auto-Sense<br>'Priority Controlled'  | 4.3-10                     |                     |





## Auto-Sense Combiners – Functionality and Benefits

In order to enable the control of ALDs<sup>1)</sup> when deploying standard multi-band combiners in mobile communication networks, such combiners are fitted with integrated DC/AISG bypass circuits. Depending on the application, different bypass configurations are available. The correct bypass combination needs to be selected in order to ensure the proper control and configuration of the ALDs.

With Auto-Sense Combiners the correct bypass is detected automatically, thereby enabling safe and easy deployment in universal applications.

### How does it work?

#### Two different modes

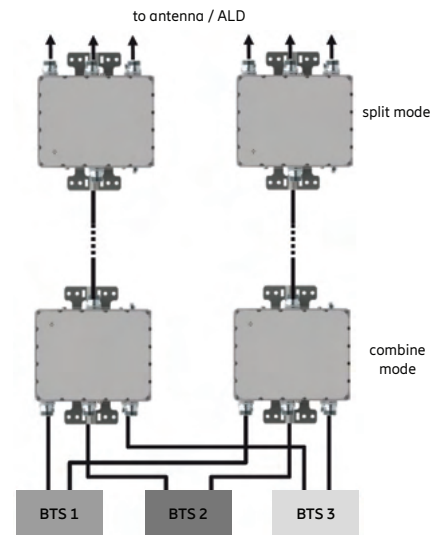
Auto-Sense Combiners automatically switch into the appropriate mode by checking the DC voltage on all ports.

##### Split mode: close to the antenna

- Combiners detect if an ALD (DC load) or an antenna (short circuit) is connected to a port and therefore bypass or block the DC/AISG signal.
- LEDs for each port indicate if DC is bypassed or not.

##### Combine mode: close to the BTS

- Automatic detection of DC voltage on one or more input ports. DC/AISG signal is bypassed to connected ALDs according to three different functional preconfigurations.
- In combine mode, LEDs show if DC is connected to a port and which DC/AISG signal is put through to the common port.

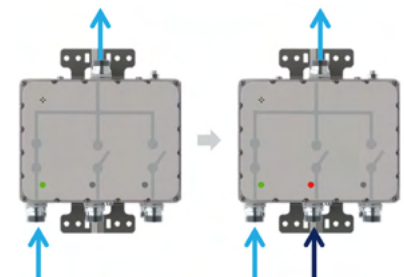


#### Two different functional preconfigurations

Auto-Sense Combiners are available in two variants with different preconfigured functions.

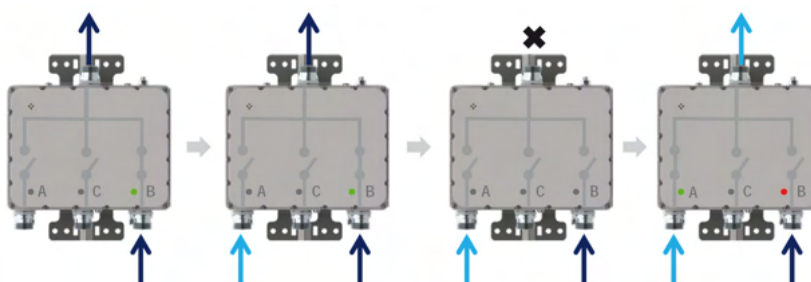
##### First In – First Out function

- The first BTS which supplies DC voltage at any input port is bypassed to the common port, other DC/AISG signals will be ignored and blocked.
- After installation, LED lights help to adjust the system by indicating the bypass situation.



##### Priority Controlled function

- The combiner detects all ports that are supplied with DC and bypasses the AISG/DC signal with the highest priority according to a preprogrammed priority table setting. (For detailed information on the preset priorities of each combiner, please check the latest datasheets on our website.)
- LED lights indicate which port/signal is bypassed and which ones are blocked. If a new base station is connected, the combiner automatically switches the DC/AISG bypass to this port if the priority is higher than the one of the currently bypassed port.



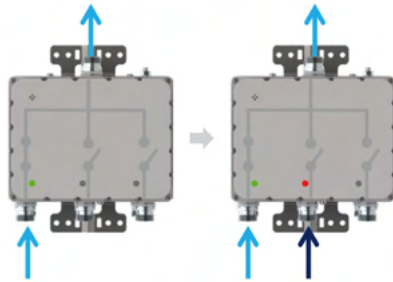
<sup>1)</sup> ALD = Antenna Line Device

# Auto-Sense Combiners – Functionality and Benefits

## Benefits and features

### • LED status indication

Installation mistakes can be easily revealed as LEDs for each port indicate if DC is bypassed or not and even if the DC is blocked.



combine mode

Green LED light indicates that this is the port / DC signal that is bypassed to the common port.

Red light indicates that this port would also be supplied with a DC/AISG signal, but the signal is blocked.

No light indicates that no DC has been detected on this port.

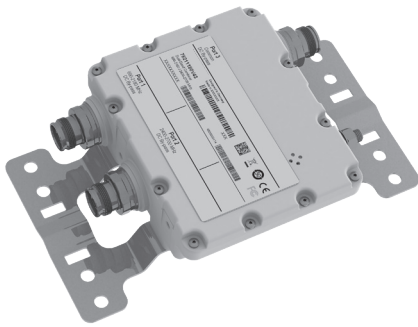
### • Simplification

Auto-Sense Combiners can be used for split and combine applications – one type for all DC bypass situations. As soon as DC is connected to the combiner, the combiner will detect its role in the system and automatically adjust the behavior accordingly.

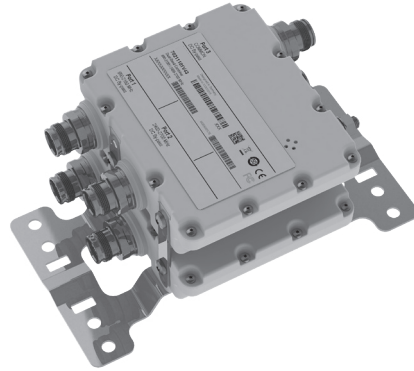
### • Savings and efficiency

The multi usability of Auto-Sense Combiners helps to reduce stock, ordering logistics and number of parts. No external DC stops are required either.

For more detailed information please see the Auto-Sense quickguide on our website.



Single Unit



Double Unit

# Dual-Band Combiner

78211180V43, 78211181V43

690–2180 MHz  
2400–2700 MHz

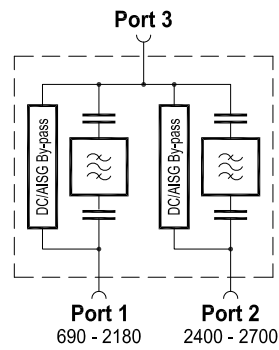
- Can be used as a combiner near the BTS or in a reciprocal function near the antenna
- Very low insertion loss
- Enables feeder sharing
- Designed for co-siting purposes
- Suitable for indoor and outdoor applications
- Wall or mast mounting
- Built-in lightning protection
- External DC stop available as an accessory



[ericsson.com/antenna-system](https://ericsson.com/antenna-system)



Scan or [click](#)



|   |         |  |
|---|---------|--|
| Product No.                             |         | 78211180V43<br>Single Unit   |
|   |         | 78211181V43<br>Double Unit   |
| Pass band<br>Band 1                     | MHz     | 690 – 2180   |
| Band 2                                  | MHz     | 2400 – 2700  |
| Insertion loss<br>Port 1 ↔ Port 3       | dB      | < 0.2 (690 – 2180 MHz) typ. 0.1  |
| Port 2 ↔ Port 3                         | dB      | < 0.15 (2400 – 2700 MHz) typ. 0.1  |
| Isolation<br>Port 1 ↔ Port 2            | dB      | > 50 (690 – 2180 MHz), > 48 (2400 – 2700 MHz)  |
| VSWR                                    |         | < 1.22 (690 – 2180 MHz)<br>< 1.2 (2400 – 2700 MHz)   |
| Impedance                               | Ω       | 50   |
| Input power<br>Band 1 / Band 2          | W       | < 300 / < 300  |
| Intermodulation products                | dBc     | < -160 (3 <sup>rd</sup> order; with 2 x 20 W)  |
| Temperature range                       | °C   °F | -55 ... +60   -67 ... +140   |
| Connectors                              |         | 4.3-10 female  |
| Application                             |         | Indoor or outdoor (IP 66)  |
| DC/AISG transparency<br>Port 1 ↔ Port 3 | mA      | By-pass (max. 2500)  |
| Port 2 ↔ Port 3                         | mA      | By-pass (max. 2500)  |
| Lightning protection                    | kA      | 3, 10/350 μs pulse   |
| Mounting                                |         | Wall mounting: With 4 screws (max. 8 mm diameter) / Mast mounting: With additional clamp set   |
| Weight                                  | kg   lb | Single Unit: 1.5   3.3 / Double Unit: 2.8   6.2  |
| Dimensions (w x h x d)                  | mm   in | Single Unit: 141 x 119 x 48   5.6 x 4.7 x 1.9 / Double Unit: 141 x 119 x 99   5.6 x 4.7 x 3.9<br>(without connectors, without mounting brackets) |
| Packing size                            | mm   in | Single Unit: 266 x 196 x 130   10.5 x 7.7 x 5.1 / Double Unit: 266 x 196 x 180   10.5 x 7.7 x 7.1  |

Accessories (order separately)

| Product No. |         | Clamp set suitable for<br>mast diameter of |
|-------------|---------|--|
| 734360      | mm   in | 34-60   1.34-2.36                          |
| 734364      | mm   in | 120-140   4.72-5.51                        |
| 734365      | mm   in | 45-125   1.77-4.92                         |

| Product No. | Description |
|-------------|-------------|
| 78210484    | 50-Ohm load |
| 78211000    | DC stop     |

Typical Attenuation Curves

Diagram I

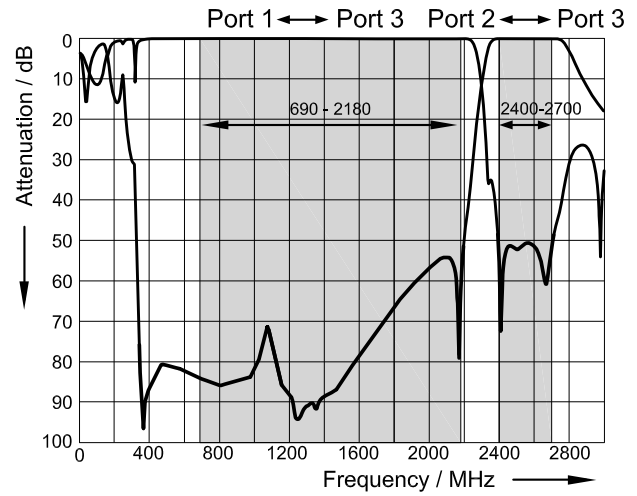
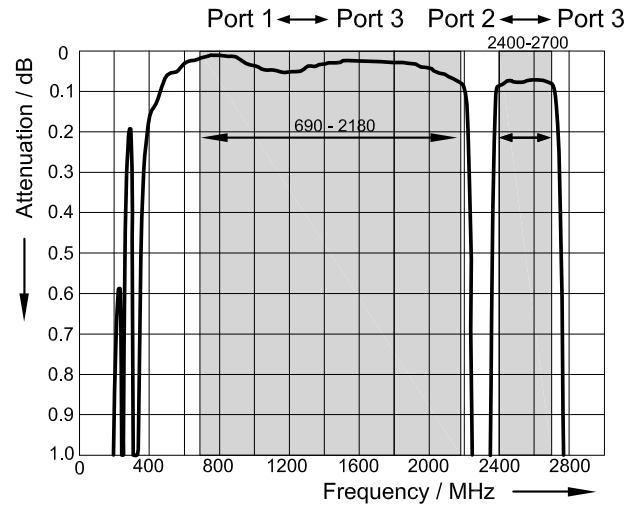
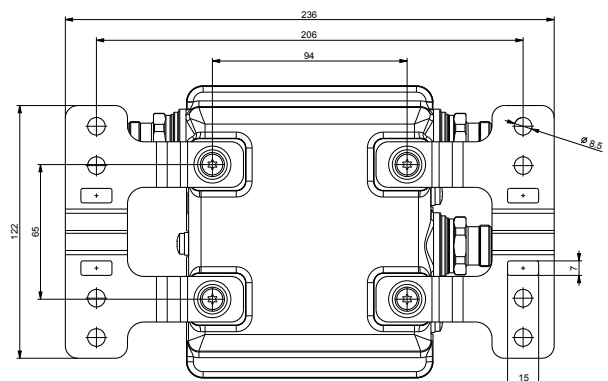
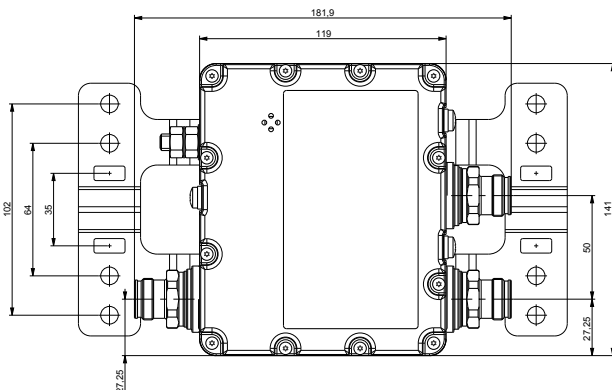
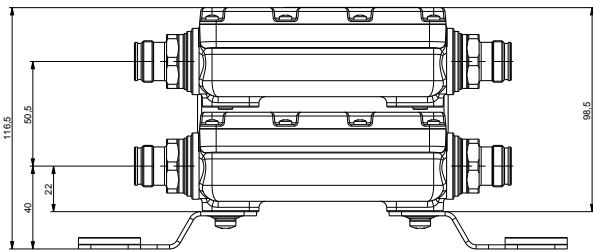
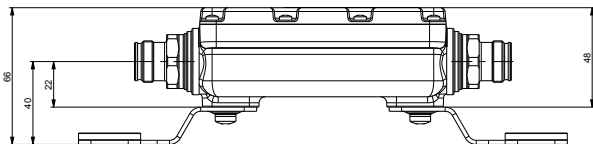


Diagram II



Dimensions in mm





Double Unit



Quad Unit

# Dual-Band Combiner

KRF 102 301/2, KRF 102 301/9, KRF 102 301/10

698–960 MHz, 1710–2200 MHz  
2495–2690 MHz

- Designed for Ericsson and non-Ericsson system compatibility
- Easy and fast installation
- Long neck connectors for easier optional sealing
- Extremely low insertion loss
- High power handling capability
- Excellent isolation performance
- Both indoor and outdoor applicable
- Wall mounting brackets and pole clamps are included



[ericsson.com/antenna-system](https://ericsson.com/antenna-system)



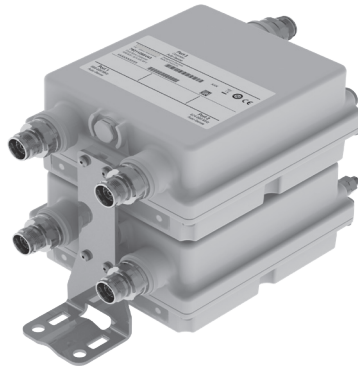
Scan or [click](#)

| Product No.  |          | KRF 102 301/2<br>Double Unit  | KRF 102 301/9<br>Double Unit | KRF 102 301/10<br>Quad Unit |
|--|----------|---|------------------------------|-----------------------------|
| <b>Electrical Specifications**</b>   |          |   |                              |                             |
| Frequency range<br>- Low port:<br>- High port:                                     | MHz      | 698 – 960 / 1710 – 2200<br>2495 – 2690  |                              |                             |
| Max. power handling (continuous)<br>- Low Port:<br>- High Port:                    | W        | 500<br>80   |                              |                             |
| Insertion loss low band<br>- 698–1980 MHz:<br>- 1980–2170 MHz:<br>- 2170–2200 MHz: | dB       | 0.12*<br>0.21*<br>0.24*   |                              |                             |
| Insertion loss high band<br>- 2495–2690 MHz:                                       | dB       | 0.18*   |                              |                             |
| All ports<br>Return loss:<br>Isolation:  | dB       | > 20<br>> 55 (698–2200 MHz)<br>> 55 (2495–2500 MHz)   |                              |                             |
| Impedance  | $\Omega$ | 50  |                              |                             |
| Intermodulation<br>IM3 (at 2x43 dBm):<br>IM5 (at 2x43 dBm):<br>IM7 (at 2x43 dBm):  | dBm      | < -114<br>< -123<br>< -123  |                              |                             |
| DC + AISG transparency<br>Maximum DC voltage:<br>Maximum DC current:               | Vdc<br>A | 40<br>3   |                              |                             |
| <b>Mechanical Specifications</b>   |          |   |                              |                             |
| Dimensions (H x W x D)   | mm       | 200 x 145 x 91  | 200 x 145 x 91               | 200 x 289 x 83              |
| Weight   | kg       | 4   | 4                            | 7.3                         |
| Mounting options   |          | Pole or wall  | Pole or wall                 | Pole or wall                |
| RF connectors  |          | 7-16 (f), long neck   | 4.3-10 (f), long neck        | 4.3-10 (f), long neck       |
| <b>Environmental Specifications**</b>  |          |   |                              |                             |
| Operating temperature  | °C       | -40 to +55  |                              |                             |
| Humidity   |          | Relative 5–100%   |                              |                             |
| IP class   |          | IP67  |                              |                             |
| Lightning protection   |          | 3 kA 10/350 $\mu$ s   |                              |                             |
| Product safety   |          | International (CB): IEC 62368-1<br>Europe (CE): EN 62368-1<br>North America (ETL): CSA/UL 62368-1 |                              |                             |

\* Typical values

\*\* Common values for all variants



AUTO-  
SENSE

Double Unit

# Dual-Band Combiner

78211288V43, 78211288V44

698–806 MHz

824–960 MHz

- Can be used as a combiner near the BTS or in a reciprocal function near the antenna
- Very low insertion loss
- Enables feeder sharing
- Designed for co-siting purposes
- Integrated Auto-Sense technology for automatic DC / AISG detection and bypass functionality
- Suitable for indoor or outdoor applications
- Wall or mast mounting
- Built-in lightning protection



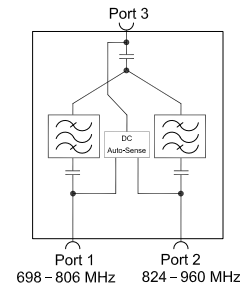
[ericsson.com/antenna-system](https://ericsson.com/antenna-system)



Scan or [click](#)

| Priority table for 78211288V44 with Priority Controlled Function |                      |
|--|----------------------|
| 698—806 MHz  | Priority 1 (highest) |
| 824—960 MHz  | Priority 2 (lowest)  |

For more information see Auto-Sense quick guide later in this datasheet.



|  |                    |  |                 |
|--|--------------------|--|-----------------|
| <b>Product No.</b>                       |                    |  |                 |
| <b>DC/AISG transparency</b>              |                    |  |                 |
| 1. First In - First Out Function         |                    |  |                 |
| 2. Priority Controlled Function          |                    |  |                 |
|  |                    | <b>78211288V43</b>   | <u>clamps</u>   |
|  |                    | <b>78211288V44</b>   | <u>included</u> |
|  |                    | <b>Double Unit</b>   |                 |
| Pass band                                |                    |  |                 |
| Band 1                                   | MHz                | 698 – 806  |                 |
| Band 2                                   | MHz                | 824 – 960  |                 |
| Insertion loss                           |                    |  |                 |
| Port 1 ↔ Port 3                          | dB                 | < 0.3 (698 – 796 MHz); < 0.5 (796 – 806 MHz)   |                 |
| Port 2 ↔ Port 3                          | dB                 | < 0.5 (824 – 834 MHz); < 0.3 (834 – 960 MHz)   |                 |
| Isolation                                |                    |  |                 |
| Port 1 ↔ Port 2                          | dB                 | > 50   |                 |
| VSWR                                     |                    | < 1.2  |                 |
| Impedance                                | Ω                  | 50   |                 |
| Input power                              |                    |  |                 |
| Band 1 / Band 2                          | W                  | < 300  |                 |
| Intermodulation products                 | dBc                | < -160 (3 <sup>rd</sup> order; with 2 x 20 W)  |                 |
| Temperature range                        | °C   °F            | -40 ... +60   -40 ... +140   |                 |
| Connectors                               |                    | 4.3-10 female  |                 |
| Application                              |                    | Indoor or outdoor (IP 66)  |                 |
| DC/AISG transparency                     |                    |  |                 |
| Port 1 ↔ Port 3                          | mA                 | Auto-Sense (max. 2000)   |                 |
| Port 2 ↔ Port 3                          | mA                 | Auto-Sense (max. 2000)   |                 |
| Lightning protection                     | kA                 | 3, 10/350 μs pulse   |                 |
| Mounting                                 | mm   in            | Wall mounting: With 4 screws (max. 8   0.315 diameter)<br>Mast mounting: With included clamp set |                 |
| Windload (at Rated Wind Speed: 150 km/h) | N   lbf<br>N   lbf | 49   11.0 (frontal)<br>40   9.0 (lateral)  |                 |
| Weight                                   | kg   lb            | 5.0   11.0   |                 |
| Dimensions (w x h x d)                   | mm   in            | 153 x 171 x 167   6.0 x 6.7 x 6.5<br>(without connectors, without mounting brackets)             |                 |
| Packing size                             | mm   in            | 365 x 235 x 245   14.4 x 9.3 x 9.6   |                 |

**Accessories (included)**

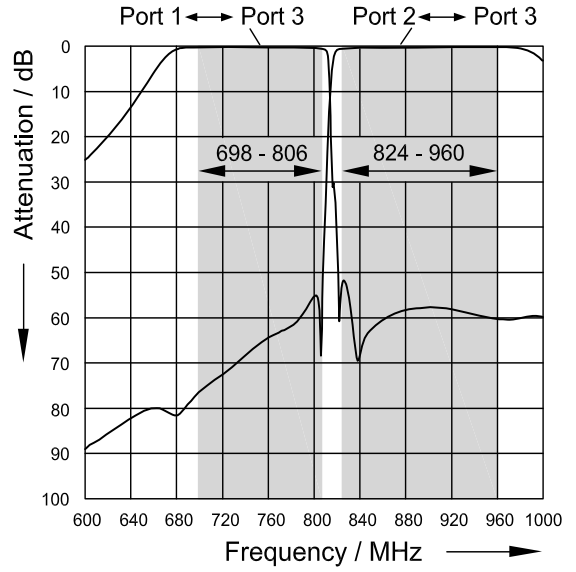
| Product No. |         | Clamp set suitable for most diameter of |
|-------------|---------|---|
| 734365      | mm   in | 45–125   1.77–4.92                      |

**Accessories (order separately)**

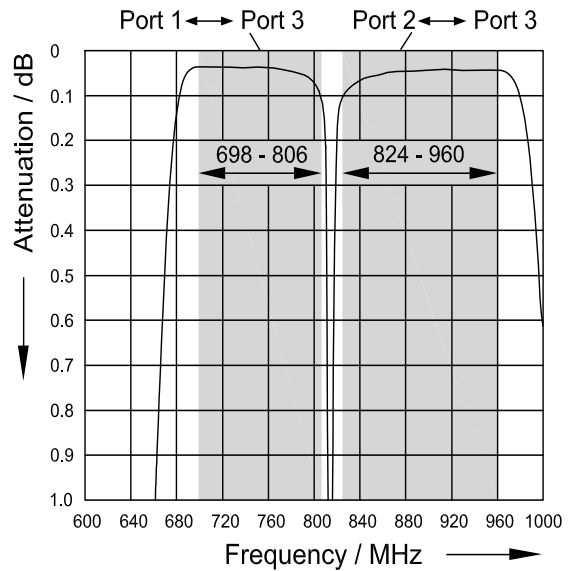
| Product No. |         | Description                    |
|-------------|---------|--------------------------------|
| 78210484    |         | 50-Ohm load                    |
| 78211000    |         | DC stop                        |
| 734360      | mm   in | Clam set: 34–60   1.34–2.36    |
| 734364      | mm   in | Clamp set: 120–140   4.72–5.51 |

**Typical Attenuation Curves**

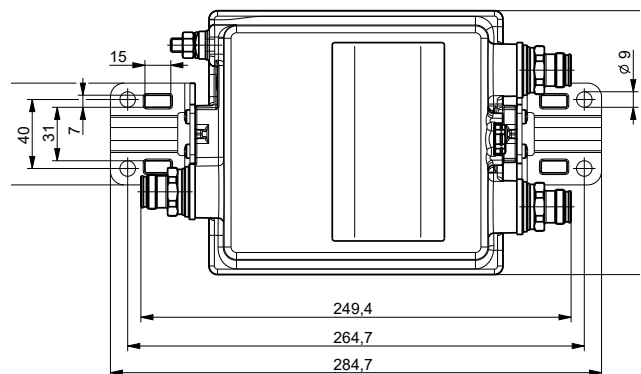
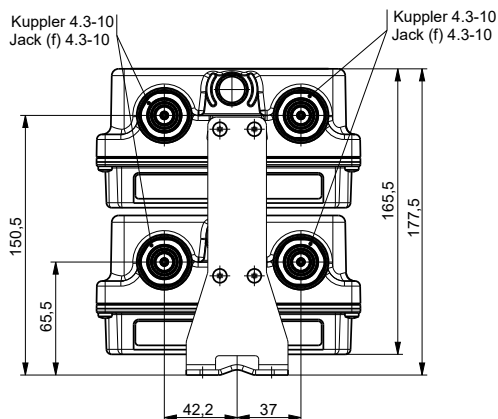
**Diagram I**



**Diagram II**



**Dimensions in mm**





Double Unit

# Dual-Band Combiner

KRF 102 378/12

698–803 MHz  
824–894 MHz

- Designed for Ericsson and non-Ericsson system compatibility
- Easy and fast installation
- Low insertion loss
- Wall mounting brackets and pole clamps are included
- The diplex filter is IP67 class and weatherproof



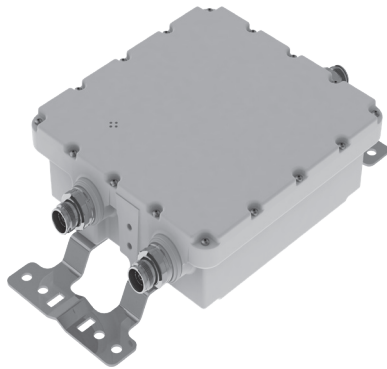
[ericsson.com/antenna-system](https://ericsson.com/antenna-system)



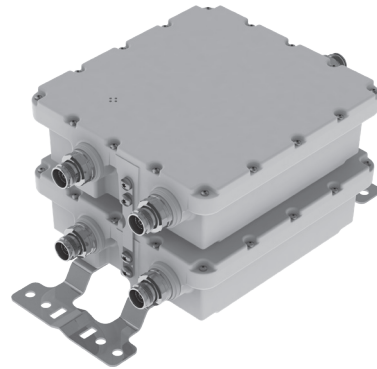
Scan or [click](#)

|   |     |   |
|---|-----|---|
| <b>Product No.</b>                              |     | <b>KRF 102 378/12<br/>Double Unit</b>       |
| <b>Electrical Specifications*</b>               |     |   |
| Frequency range<br>- Low port:<br>- High port:  | MHz | 698–803 (B28, B12-B14, B17)<br>824–894 (B5) |
| Insertion loss                                  | dB  | < 0.4                                       |
| Return loss                                     | dB  | > 20  |
| Isolation                                       | dB  | > 50  |
| Power handling<br>- Continuous:<br>- Peak:      | dBm | 53<br>61                                    |
| Intermodulation (IM3) at 2x43 dBm               | dBm | < -117                                      |
| DC By-pass                                      |     | 40 V, 3 A. 3GPP (AISG) transparent          |
| <b>Mechanical Specifications (coupler unit)</b> |     |   |
| Dimensions (H x W x D)                          | mm  | 310 × 160 × 69<br>(excl. connectors)        |
| Weight  | kg  | 5.3   |
| RF connectors                                   |     | 4.3-10 (f)                                  |
| Mounting options                                |     | Pole or wall                                |
| <b>Environmental Specifications*</b>            |     |   |
| Temperature range, full performance             | °C  | -40 to +55<br>-40 to +70 (non-destructive)  |
| IP class  |     | Outdoor, IP67                               |

\* Common values for both variants



Single Unit



Double Unit

# Dual-Band Combiner

78211430V43, 78211431V43

694–862 MHz

880–960 MHz

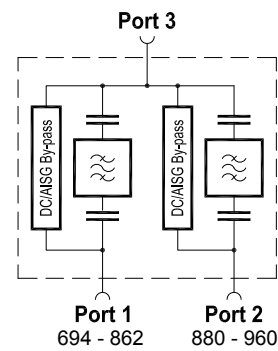
- Can be used as a combiner near the BTS or in a reciprocal function near the antenna
- Very low insertion loss
- Enables feeder sharing
- Designed for co-siting purposes
- Available as a single unit, or for XPol antennas as double unit
- Suitable for indoor or outdoor applications
- Wall or mast mounting
- Built-in lightning protection
- External DC stop available as an accessory



[ericsson.com/antenna-system](https://ericsson.com/antenna-system)



Scan or [click](#)



|  |            |   |
|--|------------|---|
| Product No.  |            | 78211430V43<br>Single Unit  |
|  |            | 78211431V43<br>Double Unit  |
| Pass band<br>Band 1<br>Band 2                              | MHz<br>MHz | 694 – 862<br>880 – 960  |
| Insertion loss<br>Port 1 ↔ Port 3<br>Port 2 ↔ Port 3       | dB<br>dB   | < 0.4, typically 0.2 (694 – 862 MHz)<br>< 0.4, typically 0.2 (880 – 960 MHz)  |
| Isolation<br>Port 1 ↔ Port 2                               | dB         | > 45 (694 – 862 MHz / 880 – 960 MHz)  |
| VSWR   |            | < 1.25 (694 – 862 / 880 – 960 MHz)  |
| Impedance  | Ω          | 50  |
| Input power<br>Band 1 / Band 2                             | W          | < 300   |
| Intermodulation products                                   | dBc        | < -160 (3 <sup>rd</sup> order; with 2 x 20 W)   |
| Temperature range  | °C   °F    | -55 ... +60   -67 ... +140  |
| Connectors   |            | 4.3-10 female   |
| Application  |            | Indoor or outdoor (IP 66)   |
| DC/AISG transparency<br>Port 1 ↔ Port 3<br>Port 2 ↔ Port 3 | mA<br>mA   | By-pass (max. 2500)<br>By-pass (max. 2500)  |
| Lightning protection                                       | kA         | 3, 10/350 μs pulse  |
| Mounting   | mm   in    | Wall mounting: With 4 screws (max. 8 mm diameter)<br>Mast mounting: With additional clamp set   |
| Weight   | kg   lb    | Single Unit: 3   6.6 / Double Unit: 6   13.2  |
| Dimensions (w x h x d)                                     | mm   in    | Single Unit: 200 x 214 x 66 mm   7.9 x 8.4 x 2.6<br>Double Unit: 200 x 214 x 137   7.9 x 8.4 x 5.4<br>(without connectors, without mounting brackets) |
| Packing size   | mm   in    | Single Unit: 400 x 265 x 150   15.7 x 10.4 x 5.9<br>Double Unit: 400 x 265 x 220   15.7 x 10.4 x 8.7  |

**Accessories (order separately)**

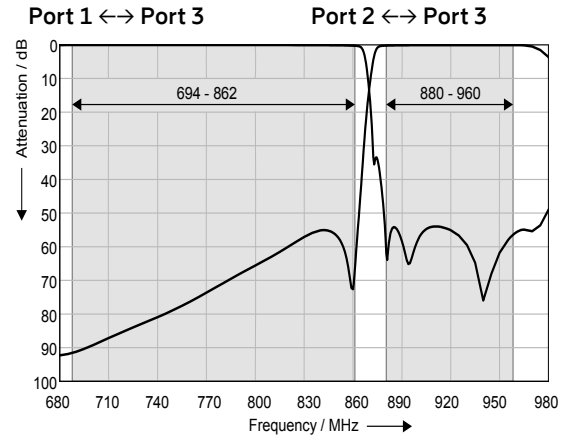
| Product No. |         | Clamp set suitable for mast diameter of |
|-------------|---------|---|
| 734360      | mm   in | 34–60   1.34–2.36                       |
| 734364      | mm   in | 120–140   4.72–5.51                     |
| 734365      | mm   in | 45–125   1.77–4.92                      |

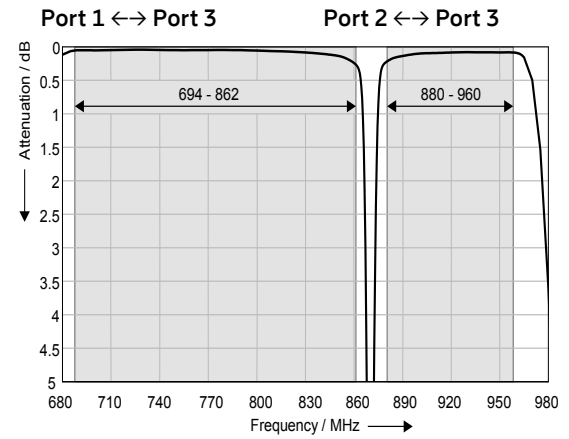
| Product No. | Description |
|-------------|-------------|
| 78210484    | 50-Ohm load |
| 78211000    | DC stop     |

**Typical Attenuation Curves**

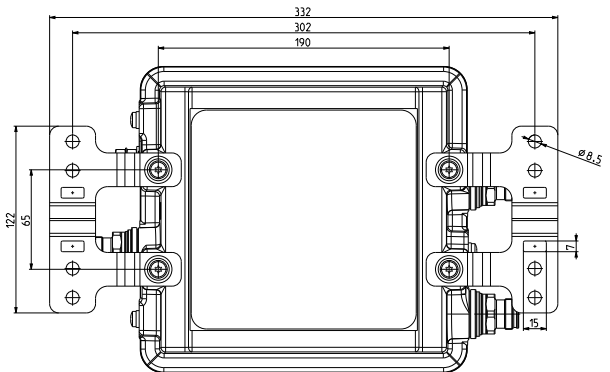
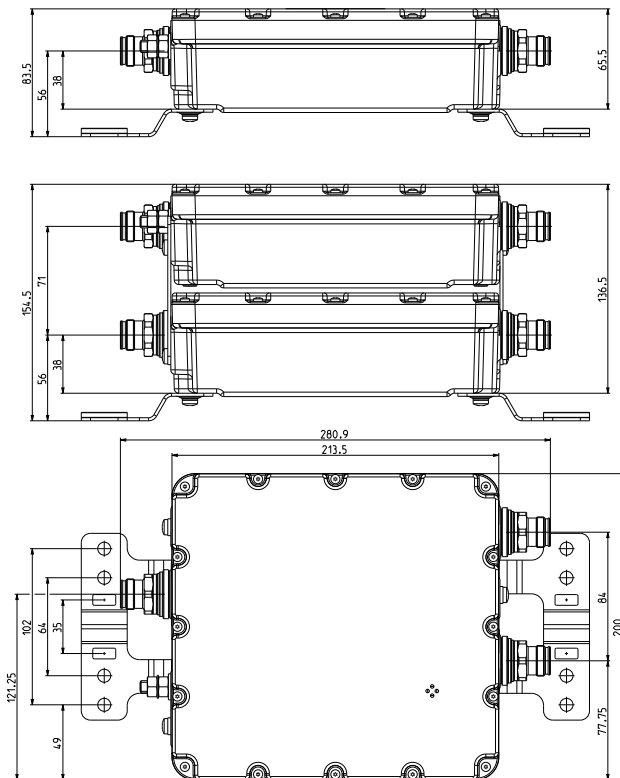
**Diagram I**



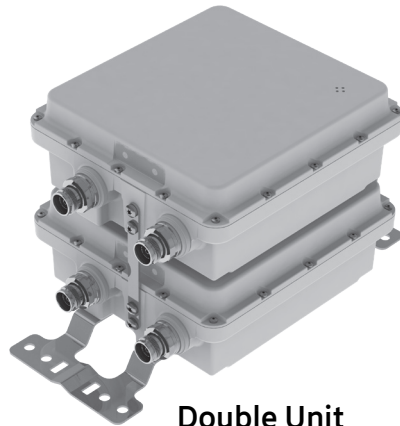
**Diagram II**



**Dimensions in mm**





AUTO-  
SENSE

Double Unit

# Dual-Band Combiner

78211438V43, 78211438V44

694–862 MHz

880–960 MHz

- Can be used as a combiner near the BTS or in a reciprocal function near the antenna
- Very low insertion loss
- Enables feeder sharing
- Designed for co-siting purposes
- Integrated Auto-Sense technology for automatic DC / AISG detection and bypass functionality
- Suitable for indoor and outdoor applications
- Wall or mast mounting
- Built-in lightning protection



[ericsson.com/antenna-system](https://ericsson.com/antenna-system)

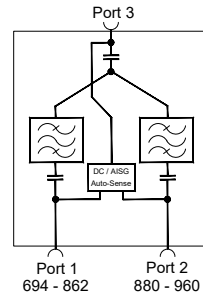


Scan or [click](#)

**Priority table for 78211438V44 with Priority Controlled Function**

|             |                      |
|-------------|----------------------|
| 694–862 MHz | Priority 1 (highest) |
| 880–960 MHz | Priority 2 (lowest)  |

For more information see Auto-Sense quick guide later in this datasheet.



|  |            |  |
|--|------------|--|
| <b>Product No.</b><br><b>DC/AISG transparency</b><br><b>1. First In - First Out Function</b><br><b>2. Priority Controlled Function</b> |            | <b>78211438V43</b><br><b>78211438V44</b><br><b>Double Unit</b>                               |
| Pass band<br>Band 1<br>Band 2  | MHz<br>MHz | 694 – 862<br>880 – 960   |
| Insertion loss<br>Port 1 ↔ Port 3<br>Port 2 ↔ Port 3   | dB<br>dB   | < 0.4, typically 0.2 (694 – 862 MHz)<br>< 0.4, typically 0.2 (880 – 960 MHz)                 |
| Isolation<br>Port 1 ↔ Port 2   | dB         | > 45 (694 – 862 MHz / 880 – 960 MHz)   |
| VSWR   |            | < 1.25 (694 – 862 / 880 – 960 MHz)   |
| Impedance  | Ω          | 50   |
| Input power<br>Band 1 / Band 2   | W          | < 300  |
| Intermodulation products   | dBc        | < -160 (3 <sup>rd</sup> order; with 2 x 20 W)  |
| Temperature range  | °C   °F    | -55 ... +60   -67 ... +140   |
| Connectors   |            | 4.3-10 female  |
| Application  |            | Indoor or outdoor (IP 66)  |
| DC/AISG transparency<br>Port 1 ↔ Port 3<br>Port 2 ↔ Port 3   | mA<br>mA   | Auto-Sense (max. 2000)<br>Auto-Sense (max. 2000)   |
| Lightning protection   | kA         | 3, 10/350 μs pulse   |
| Mounting   | mm   in    | Wall mounting: With 4 screws (max. 8 mm diameter) / Mast mounting: With additional clamp set |
| Weight   | kg   lb    | 6.4   14.1   |
| Dimensions (w x h x d)   | mm   in    | 200 x 214 x 173   7.9 x 8.4 x 6.8<br>(without connectors, without mounting brackets)         |
| Packing size   | mm   in    | 395 x 260 x 253   15.6 x 10.2 x 10.0   |

**Accessories (order separately)**

| Product No. |         | Clamp set suitable for mast diameter of |
|-------------|---------|---|
| 734360      | mm   in | 34–60   1.34–2.36                       |
| 734364      | mm   in | 120–140   4.72–5.51                     |
| 734365      | mm   in | 45–125   1.77–4.92                      |

| Product No. | Description |
|-------------|-------------|
| 78210484    | 50-Ohm load |
| 78211000    | DC stop     |

**Typical Attenuation Curves**

Diagram I

Port 1 ↔ Port 3

Port 2 ↔ Port 3

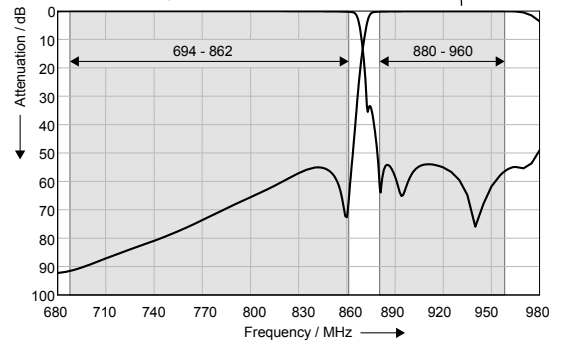
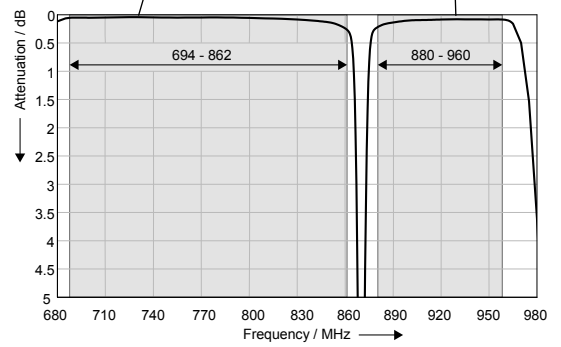


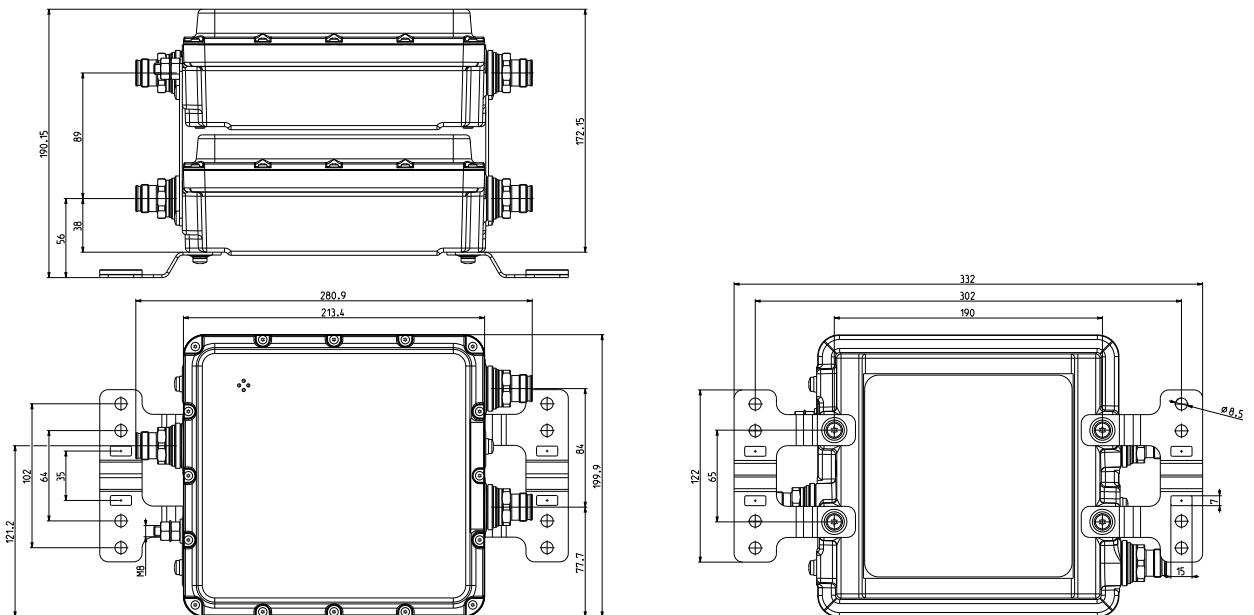
Diagram II

Port 1 ↔ Port 3

Port 2 ↔ Port 3



**Dimensions in mm**





Double Unit

# Dual-Band Combiner

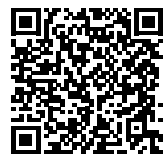
KRF 102 405/2

694–862 MHz  
880–960 MHz

- Excellent isolation performance
- Verified with Ericsson RBSs
- Very low insertion loss
- Indoor and outdoor proof

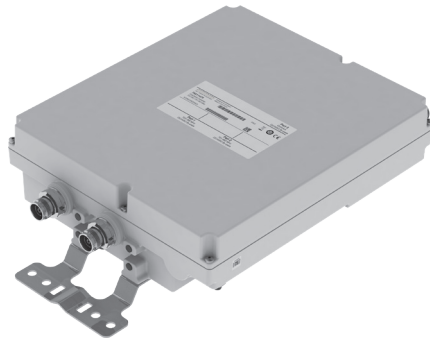


[ericsson.com/antenna-system](https://ericsson.com/antenna-system)

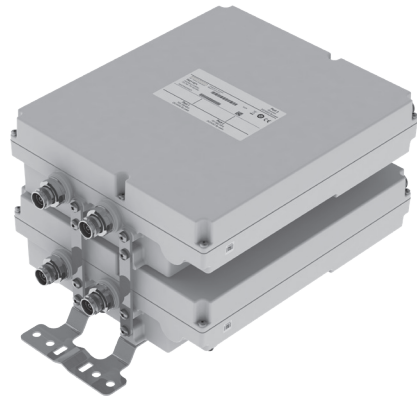


Scan or [click](#)

|   |     |   |
|---|-----|---|
| <b>Product No.</b>  |     | <b>KRF 102 405/2<br/>Double Unit</b>                              |
| <b>Electrical Specifications</b>                            |     |   |
| Frequency range<br>- Low port:<br>- High port:              | MHz | 694–862<br>880–960  |
| DC configuration  |     | Pass all  |
| Insertion loss  | dB  | < 0.15 (typical), < 0.4 (guaranteed)                              |
| Return loss   | dB  | > 19  |
| Isolation   | dB  | > 50  |
| Power handling<br>- Continuous power, max:<br>- Peak power: | dBm | 53<br>61  |
| Intermodulation (IM3) at 2x43 dBm                           | dBm | < -115  |
| <b>Mechanical Specifications</b>                            |     |   |
| Dimensions (H × W × D)                                      | mm  | 219.6 × 219.6 × 70 (excl. connectors)                             |
| Weight  | kg  | 5.3   |
| RF connectors   |     | 4.3-10 (f)  |
| Mounting options  |     | Rail, pole, or wall mounting<br>(Rail bracket ordered separately) |
| <b>Environmental Specifications</b>                         |     |   |
| Sealing   |     | IP67  |
| Temperature range, full performance                         | °C  | -40 to +55  |



Single Unit



Double Unit

# Dual-Band Combiner

78211470, 78211471,  
78211472, 78211473

703–788 MHz  
791–960 MHz

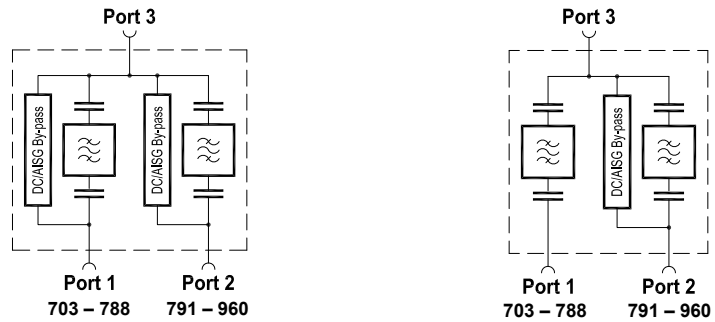
- Can be used as a combiner near the BTS or in a reciprocal function near the antenna
- Very low insertion loss
- Enables feeder sharing
- Designed for co-siting purposes
- Available as a single unit, or for XPol antennas as double unit
- Suitable for indoor and outdoor applications
- Wall or mast mounting
- Built-in lightning protection
- External DC stop available as an accessory



[ericsson.com/antenna-system](https://ericsson.com/antenna-system)



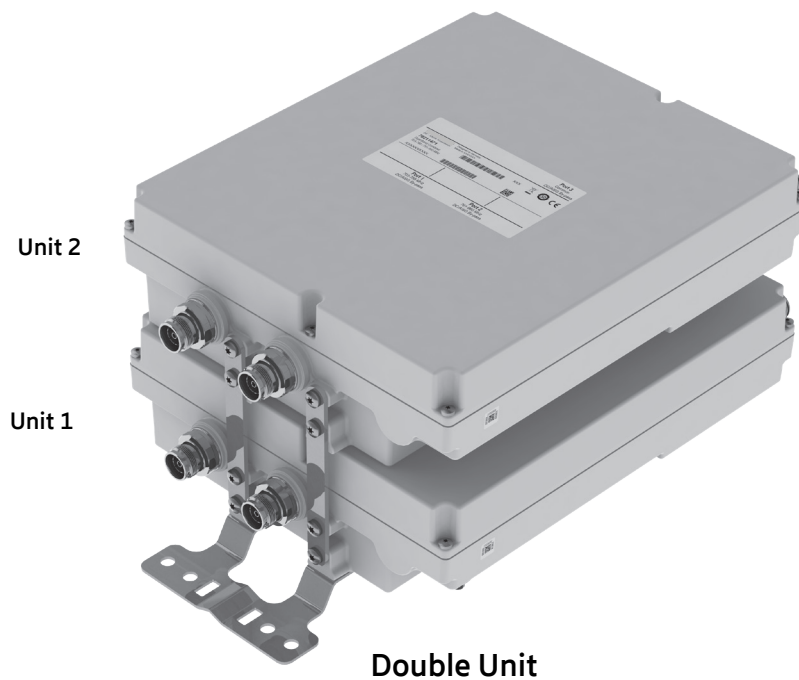
Scan or [click](#)



| Product No.  |            | 78211470<br>Single Unit  | 78211472<br>Single Unit     |
|--|------------|--|-----------------------------|
|  |            | 78211471<br>Double Unit  | 78211473<br>Double Unit     |
| Pass band<br>Band 1<br>Band 2                              | MHz<br>MHz | 703 – 788<br>791 – 960   |                             |
| Insertion loss<br>Port 1 ↔ Port 3<br>Port 2 ↔ Port 3       | dB<br>dB   | < 0.3 (703 – 777 MHz) / < 0.5 (777 – 784 MHz) / < 1.3 (784 – 788 MHz), typically 0.3<br>< 1.3 (791 – 798 MHz) / < 0.5 (798 – 802 MHz) / < 0.4 (802 – 960 MHz), typically 0.4 |                             |
| Isolation<br>Port 1 ↔ Port 2                               | dB         | > 40   |                             |
| VSWR   |            | < 1.25   |                             |
| Impedance  | Ω          | 50   |                             |
| Input power<br>Band 1 / Band 2                             | W          | < 200 / < 200  |                             |
| Intermodulation products                                   | dBc        | < -160 (3 <sup>rd</sup> order; with 2 x 20 W)  |                             |
| Temperature range  | °C   °F    | -40 ... +60   -40 ... +140   |                             |
| Connectors   |            | 4.3-10 female  |                             |
| Application  |            | Indoor or outdoor (IP 66)  |                             |
| DC/AISG transparency<br>Port 1 ↔ Port 3<br>Port 2 ↔ Port 3 | mA<br>mA   | By-pass (max. 2500)<br>By-pass (max. 2500)   | Stop<br>By-pass (max. 2500) |
| Lightning protection                                       | kA         | 3, 10/350 μs pulse   |                             |
| Mounting   | mm   in    | Wall mounting: With 4 screws (max. diameter 8   0.315)<br>Mast mounting: With additional clamp set   |                             |
| Weight   | kg   lb    | Single unit: 6.2   13.7 / Double unit: 12   26.5   |                             |
| Dimensions (w x h x d)                                     | mm   in    | Single unit: 258 x 301 x 88   10.2 x 11.9 x 3.5<br>Double unit: 258 x 301 x 178   10.2 x 11.9 x 7.0<br>(without connectors, without mounting brackets)                       |                             |
| Packin size  | mm   in    | Single unit: 477 x 334 x 175   18.8 x 13.1 x 6.9<br>Double unit: 477 x 334 x 265   18.8 x 13.1 x 10.4  |                             |







# Dual-Band Combiner

78211476

703–788 MHz  
791–960 MHz

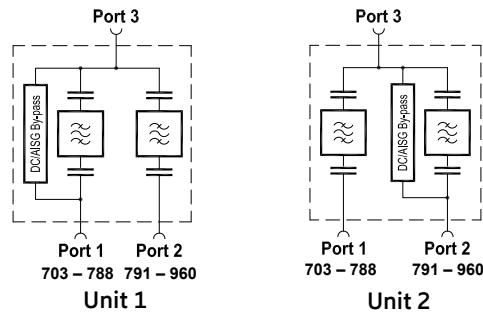
- Can be used as a combiner near the BTS or in a reciprocal function near the antenna
- Very low insertion loss
- Enables feeder sharing
- Designed for co-siting purposes
- Suitable for indoor and outdoor applications
- Wall or mast mounting
- Built-in lightning protection
- External DC stop available as an accessory



[ericsson.com/antenna-system](https://ericsson.com/antenna-system)



Scan or [click](#)



|                          |         |  |                     |
|--------------------------|---------|--|---------------------|
| <b>Product No.</b>       |         | <b>78211476<br/>Double Unit</b>  |                     |
| Pass band                |         |  |                     |
| Band 1                   | MHz     | 703 – 788  |                     |
| Band 2                   | MHz     | 791 – 960  |                     |
| Insertion loss           |         |  |                     |
| Port 1 ↔ Port 3          | dB      | < 0.3 (703 – 777 MHz) / < 0.5 (777 – 784 MHz) / < 1.3 (784 – 788 MHz), typically 0.3                 |                     |
| Port 2 ↔ Port 3          | dB      | < 1.3 (791 – 798 MHz) / < 0.5 (798 – 802 MHz) / < 0.4 (802 – 960 MHz), typically 0.4                 |                     |
| Isolation                | dB      | > 40   |                     |
| VSWR                     |         | < 1.25   |                     |
| Impedance                | Ω       | 50   |                     |
| Input power              |         |  |                     |
| Band 1 / Band 2          | W       | < 200 / < 200  |                     |
| Intermodulation products | dBc     | < -160 (3 <sup>rd</sup> order; with 2 x 20 W)  |                     |
| Temperature range        | °C   °F | -40 ... +60   -40 ... +140   |                     |
| Connectors               |         | 4.3-10 female  |                     |
| Application              |         | Indoor or outdoor (IP 66)  |                     |
| DC/AISG transparency     |         |  |                     |
| Port 1 ↔ Port 3          | mA      | Unit 1<br>By-pass (max. 2500)  | Unit 2<br>Stop      |
| Port 2 ↔ Port 3          | mA      | Stop   | By-pass (max. 2500) |
| Lightning protection     | kA      | 3, 10/350 μs pulse   |                     |
| Mounting                 | mm   in | Wall mounting: With 4 screws (max. 8   0.315 diameter) /<br>Mast mounting: With additional clamp set |                     |
| Weight                   | kg   lb | 4.6   10.1   |                     |
| Dimensions (w x h x d)   | mm   in | 258 x 301 x 178   10.2 x 11.9 x 7.0<br>(without connectors, without mounting brackets)               |                     |
| Packing size             | mm   in | 477 x 334 x 265   18.8 x 13.1 x 10.4   |                     |

Accessories (order separately)

| Product No. |         | Clamp set suitable for<br>mast diameter of |
|-------------|---------|--|
| 734360      | mm   in | 34–60   1.34–2.36                          |
| 734364      | mm   in | 120–140   4.72–5.51                        |
| 734365      | mm   in | 45–125   1.77–4.92                         |

| Product No. | Description |
|-------------|-------------|
| 78210484    | 50-Ohm load |
| 78211000    | DC stop     |

Typical Attenuation Curves

Diagram I

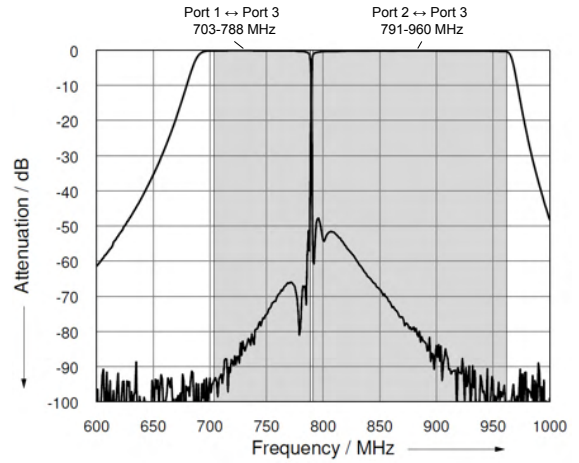
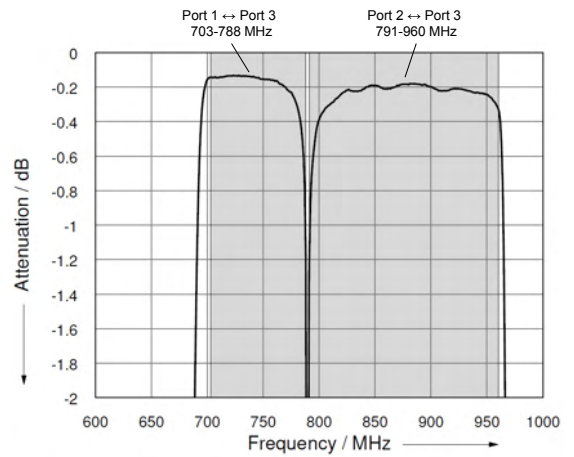
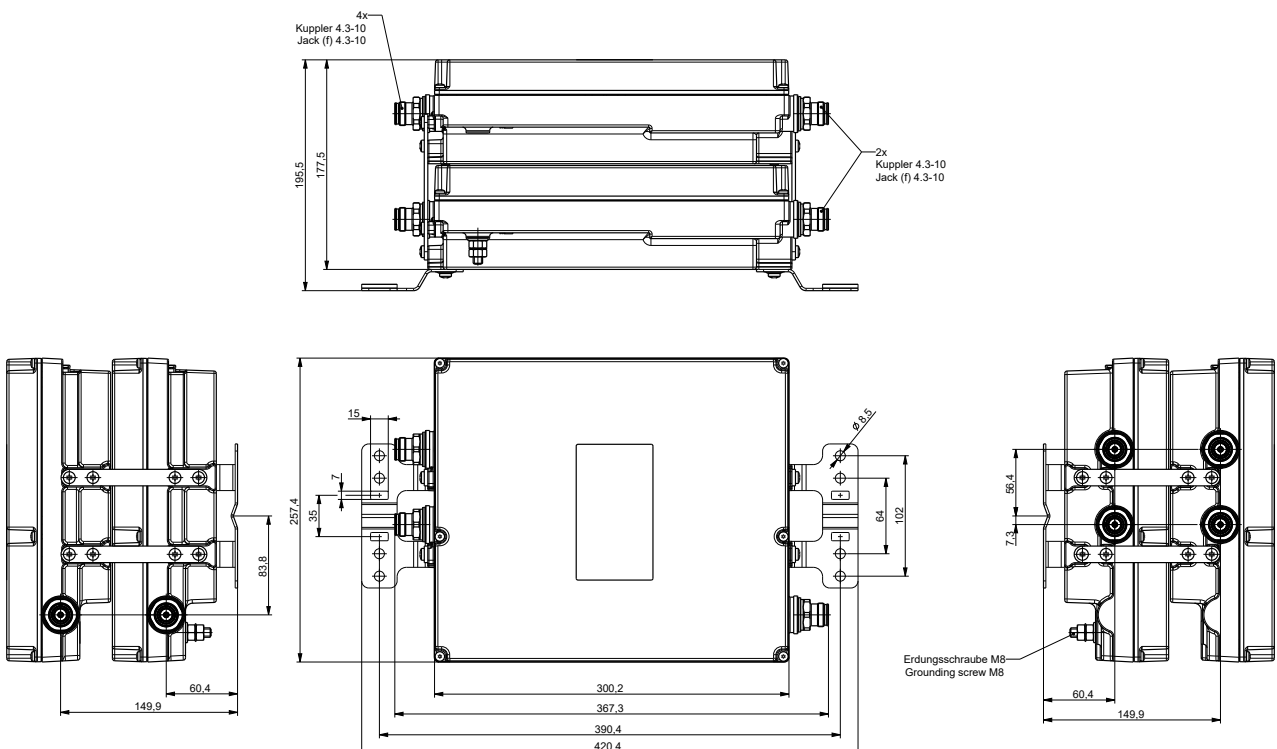
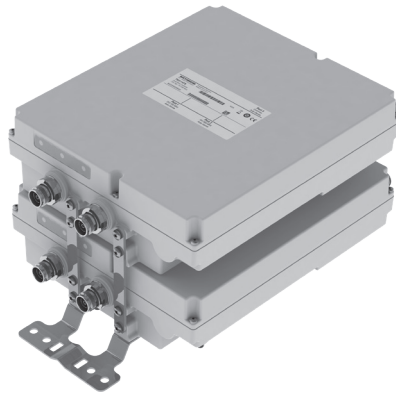


Diagram II



Dimensions in mm



AUTO-  
SENSE

Double Unit

# Dual-Band Combiner

78211478, 78211478V01

703–788 MHz

791–960 MHz

- Can be used as a combiner near the BTS or in a reciprocal function near the antenna
- Very low insertion loss
- Enables feeder sharing
- Designed for co-siting purposes
- Integrated Auto-Sense technology for automatic DC / AISG detection and bypass functionality
- Suitable for indoor or outdoor applications
- Wall or mast mounting
- Built-in lightning protection



[ericsson.com/antenna-system](https://ericsson.com/antenna-system)

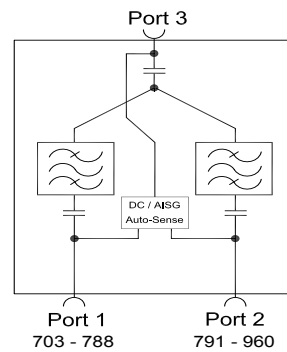


Scan or [click](#)

**Priority table for 78211478V01 with Priority Controlled Function**

|             |                      |
|-------------|----------------------|
| 703–788 MHz | Priority 2 (lowest)  |
| 791–960 MHz | Priority 1 (highest) |

For more information see Auto-Sense quick guide later in this datasheet.



|  |            |  |
|--|------------|--|
| <b>Product No.</b><br><b>DC/AISG transparency</b><br>1. First In - First Out Function<br>2. Priority Controlled Function |            | <b>78211478</b><br><b>78211478V01</b><br><b>Double Unit</b>  |
| Pass band<br>Band 1<br>Band 2  | MHz<br>MHz | 703 – 788<br>791 – 960   |
| Insertion loss<br>Port 1 ↔ Port 3<br>Port 2 ↔ Port 3   | dB<br>dB   | < 0.3 (703 – 777 MHz) / < 0.5 (777 – 784 MHz) / < 1.3 (784 – 788 MHz), typically 0.3<br>< 1.3 (791 – 798 MHz) / < 0.5 (798 – 802 MHz) / < 0.4 (802 – 960 MHz), typically 0.4 |
| Isolation  | dB         | > 40   |
| VSWR   |            | < 1.25   |
| Impedance  | Ω          | 50   |
| Input power<br>Band 1 / Band 2   | W          | < 200 / < 200  |
| Intermodulation products   | dBc        | < -160 (3 <sup>rd</sup> order; with 2 x 20 W)  |
| Temperature range  | °C   °F    | -40 ... +60   -40 ... +140   |
| Connectors   |            | 4.3-10 female  |
| Application  |            | Indoor or outdoor (IP 66)  |
| DC/AISG transparency<br>Port 1 ↔ Port3<br>Port 2 ↔ Port3   | mA<br>mA   | Auto-Sense (max. 2000)<br>Auto-Sense (max. 2000)   |
| Lightning protection   | kA         | 3, 10/350 μs pulse   |
| Mounting   | mm   in    | Wall mounting: With 4 screws (max. 8   0.315 diameter)<br>Mast mounting: With additional clamp set   |
| Weight   | kg   lb    | 12.2   26.9  |
| Dimensions   | mm   in    | 258 x 301 x 178   10.2 x 11.9 x 7.0<br>(without connectors, without mounting brackets)   |
| Packing size   | mm   in    | 477 x 334 x 265   18.8 x 13.1 x 10.4   |

**Accessories (order separately)**

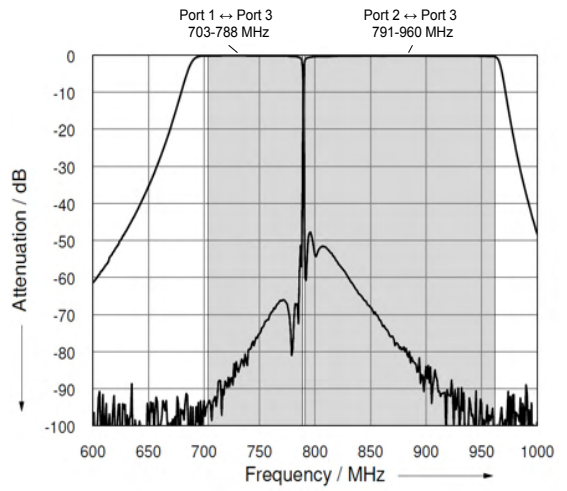
| Product No. |         | Clamp set suitable for<br>most diameter of |
|-------------|---------|--|
| 734360      | mm   in | 34–60   1.34–2.36                          |
| 734364      | mm   in | 120–140   4.72–5.51                        |
| 734365      | mm   in | 45–125   1.77–4.92                         |

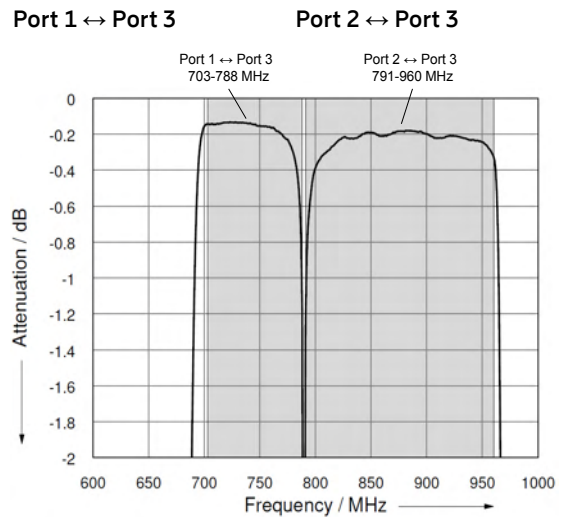
| Product No. | Description |
|-------------|-------------|
| 78210484    | 50-Ohm load |
| 78211000    | DC stop     |

**Typical Attenuation Curves**

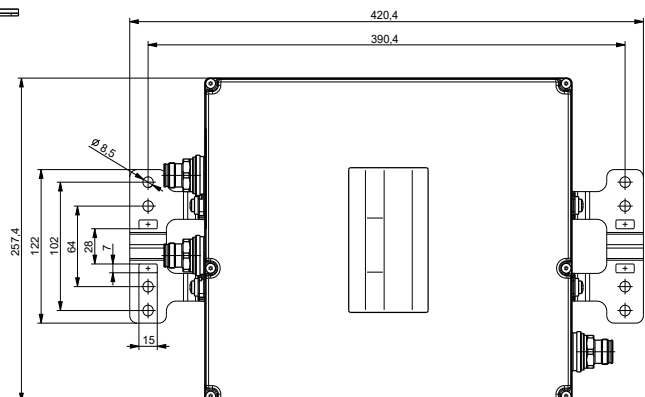
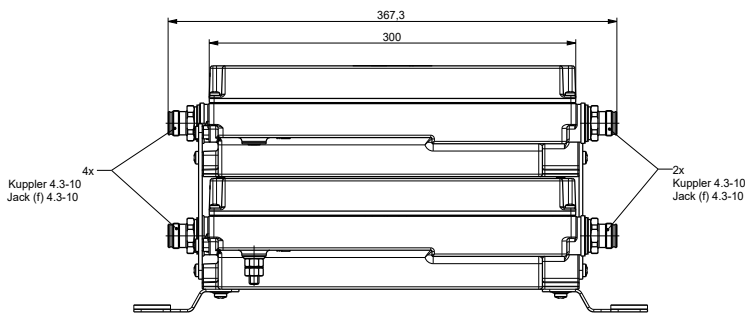
**Diagram I**



**Diagram II**



**Dimensions in mm**





Single Unit



Double Unit

# Dual-Band Combiner

78210970V43, 78210971V43, 78210972V43

78210973V43, 78210974V43, 78210975V43

790–862 MHz

880–960 MHz

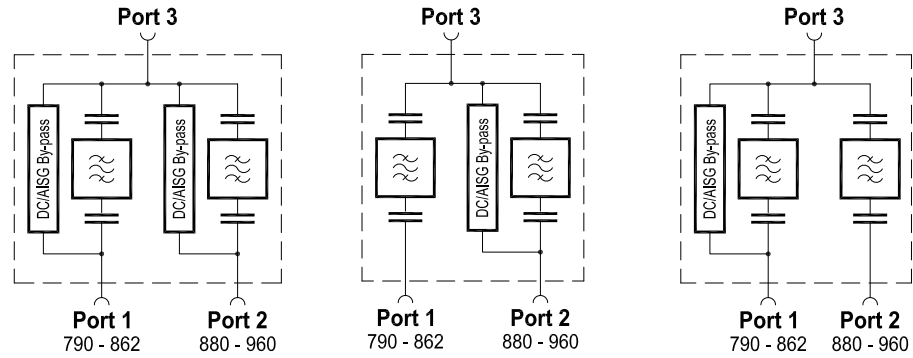
- Designed for co-siting purposes
- Enables feeder sharing
- Can be used as a combiner near the BTS or in a reciprocal function near the antenna
- Suitable for indoor or outdoor applications
- Wall or mast mounting
- Available as a single unit, or for XPol antennas as a double unit
- Built-in lightning protection
- External DC stop available as an accessory



[ericsson.com/antenna-system](https://ericsson.com/antenna-system)



Scan or [click](#)



| Product No.  | 78210970V43<br>Single Unit  | 78210972V43<br>Single Unit     | 78210974V43<br>Single Unit     |
|--|---|--------------------------------|--------------------------------|
|  | 78210971V43<br>Double Unit  | 78210973V43<br>Double Unit     | 78210975V43<br>Double Unit     |
| Pass band<br>Band 1<br>Band 2                              | 790 – 862 MHz<br>880 – 960 MHz  |                                |                                |
| Insertion loss<br>Port 1 ↔ Port 3<br>Port 2 ↔ Port 3       | < 0.4 dB, typically 0.2 dB (790 – 862 MHz)<br>< 0.4 dB, typically 0.2 dB (880 – 960 MHz)  |                                |                                |
| Isolation<br>Port 1 ↔ Port 2                               | > 50 dB (790 – 862 MHz / 880 – 960 MHz)   |                                |                                |
| VSWR   | < 1.25 (790 – 862 / 880 – 960 MHz)  |                                |                                |
| Impedance  | 50 Ω  |                                |                                |
| Input power<br>Band 1 / Band 2                             | < 200 W / < 200 W   |                                |                                |
| Intermodulation products                                   | < -160 dBc (3 <sup>rd</sup> order; with 2 x 20 W)   |                                |                                |
| Temperature range  | -40 ... +60 °C  |                                |                                |
| Connectors   | 4.3-10 female (long neck)   |                                |                                |
| Application  | Indoor or outdoor (IP 66)   |                                |                                |
| DC/AISG transparency<br>Port 1 ↔ Port 3<br>Port 2 ↔ Port 3 | By-pass (max. 2500 mA)<br>By-pass (max. 2500 mA)  | Stop<br>By-pass (max. 2500 mA) | By-pass (max. 2500 mA)<br>Stop |
| Lightning protection                                       | 3 kA, 10/350 μs pulse   |                                |                                |
| Mounting   | Wall mounting: With 4 screws (max. 8 mm diameter) / Mast mounting: With additional clamp set                                      |                                |                                |
| Weight   | Single Unit: 2.6 kg / Double Unit: 5.1 kg   |                                |                                |
| Packing size   | Single Unit: 392 x 272 x 139 mm / Double Unit: 392 x 272 x 189 mm   |                                |                                |
| Dimensions (w x h x d)                                     | Single Unit: 177.4 x 52.35 x 209.4 mm / Double Unit: 177.4 x 108.35 x 209.4 mm<br>(without connectors, without mounting brackets) |                                |                                |



**Accessories (order separately)**

| Product No. |         | Clamp set suitable for<br>most diameter of |
|-------------|---------|--|
| 734360      | mm   in | 34–60   1.34–2.36                          |
| 734364      | mm   in | 120–140   4.72–5.51                        |
| 734365      | mm   in | 45–125   1.77–4.92                         |

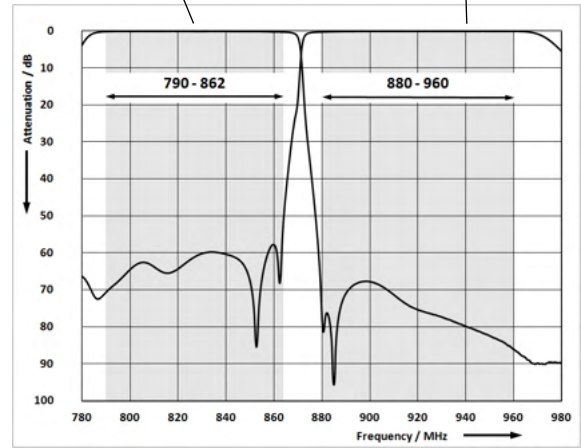
| Product No. | Description |
|-------------|-------------|
| 78210484    | 50-Ohm load |
| 78211000    | DC stop     |

**Typical Attenuation Curves**

**Diagram I**

Port 1 ↔ Port 3

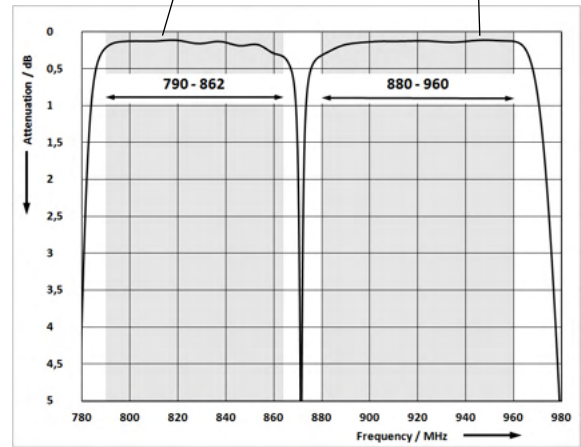
Port 2 ↔ Port 3



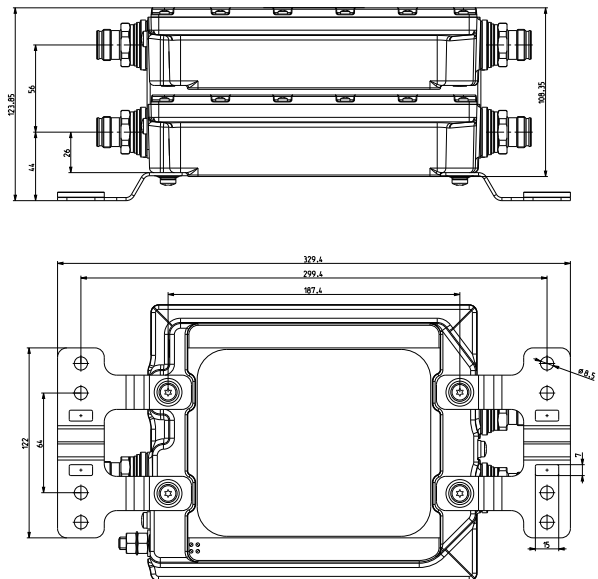
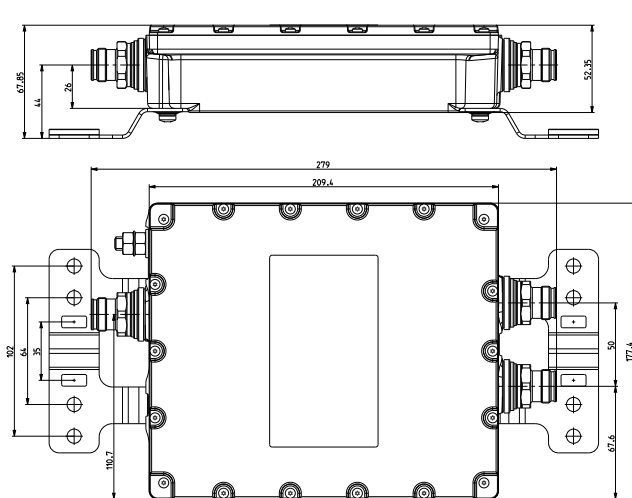
**Diagram II**

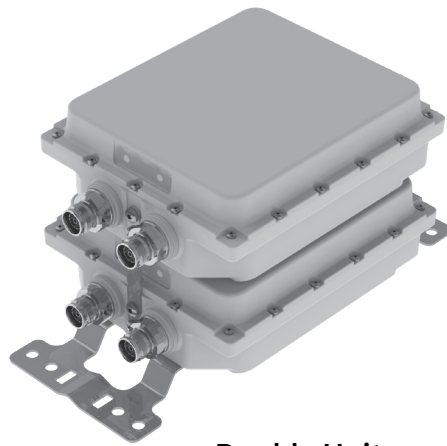
Port 1 ↔ Port 3

Port 2 ↔ Port 3



**Dimensions in mm**



AUTO-  
SENSE

Double Unit

# Dual-Band Combiner

78210978V43, 78210978V44

790–862 MHz  
880–960 MHz

- Can be used as a combiner near the BTS or in a reciprocal function near the antenna
- Very low insertion loss
- Enables feeder sharing
- Designed for co-siting purposes
- Integrated Auto-Sense technology for automatic DC / AISG detection and bypass functionality
- Suitable for indoor and outdoor applications
- Wall or mast mounting
- Built-in lightning protection



[ericsson.com/antenna-system](https://ericsson.com/antenna-system)

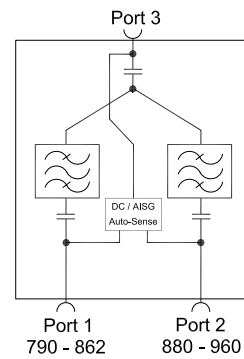


Scan or [click](#)

**Priority table for 78210628V44 with Priority Controlled Function**

|             |                      |
|-------------|----------------------|
| 790—862 MHz | Priority 1 (highest) |
| 880—960 MHz | Priority 2 (lowest)  |

For more information see Auto-Sense quick guide later in this datasheet.



|   |            |  |
|---|------------|--|
| <b>Product No.</b><br>DC/AISG transparency<br>1. First In - First Out Function<br>2. Priority Controlled Function |            | <b>78210978V43</b><br><b>78210978V44</b><br>Double Unit  |
| Pass band<br>Band 1<br>Band 2   | MHz<br>MHz | 790 – 862<br>880 – 960   |
| Insertion loss<br>Port 1 ↔ Port 3<br>Port 2 ↔ Port 3  | dB<br>dB   | < 0.4 (790 – 862 MHz)<br>< 0.4 (880 – 960 MHz)   |
| Isolation<br>Port 1 ↔ Port 2  | dB         | > 50   |
| VSWR  |            | < 1.25   |
| Impedance   | Ω          | 50   |
| Input power<br>Band 1 / Band 2  | W          | < 300  |
| Intermodulation products  | dBc        | < -160 (3 <sup>rd</sup> order; with 2 x 20 W)  |
| Temperature range   | °C   °F    | -40 ... +60   -40 ... +140   |
| Connectors  |            | 4.3-10 female  |
| Application   |            | Indoor or outdoor (IP 66)  |
| DC/AISG transparency<br>Port 1 ↔ Port 3<br>Port 2 ↔ Port 3  | mA<br>mA   | Auto-Sense (max. 2000)<br>Auto-Sense (max. 2000)   |
| Lightning protection  | kA         | 3, 10/350 μs pulse   |
| Mounting  | mm   in    | Wall mounting: With 4 screws (max. 8   0.315 diameter)<br>Mast mounting: With additional clamp set |
| Weight  | kg   lb    | 5.8   12.7   |
| Dimensions (w x h x d)  | mm   in    | 177 x 146 x 209   7.0 x 5.7 x 8.2<br>(without connectors, without mounting brackets)               |
| Packing size  | mm   in    | 392 x 272 x 240   15.4 x 10.7 x 9.5  |

**Accessories (order separately)**

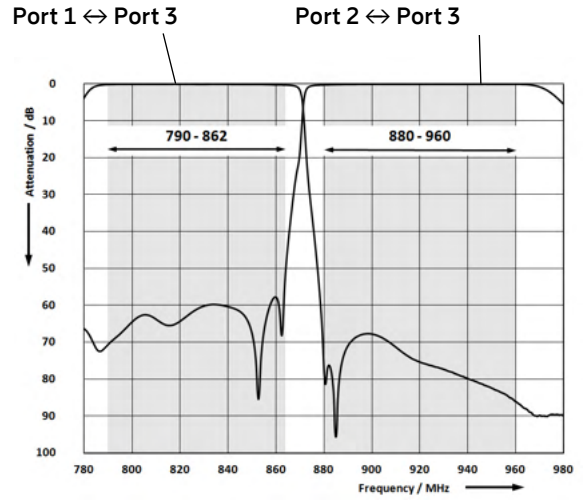
| Product No. |         | Clamp set suitable for mast diameter of |
|-------------|---------|---|
| 734360      | mm   in | 34–60   1.34–2.36                       |
| 734364      | mm   in | 120–140   4.72–5.51                     |
| 734365      | mm   in | 45–125   1.77–4.92                      |

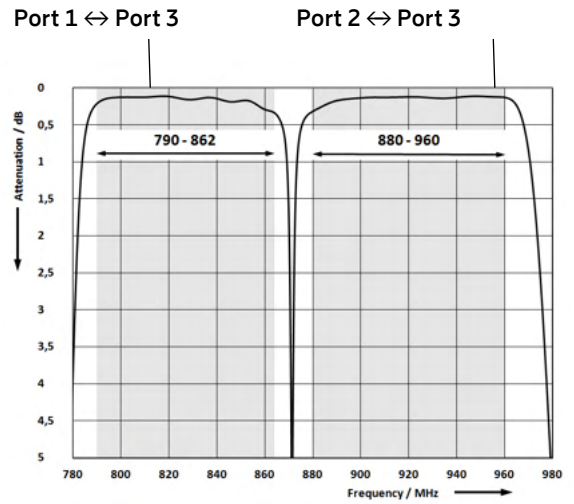
| Product No. | Description |
|-------------|-------------|
| 78210484    | 50-Ohm load |

**Typical Attenuation Curves**

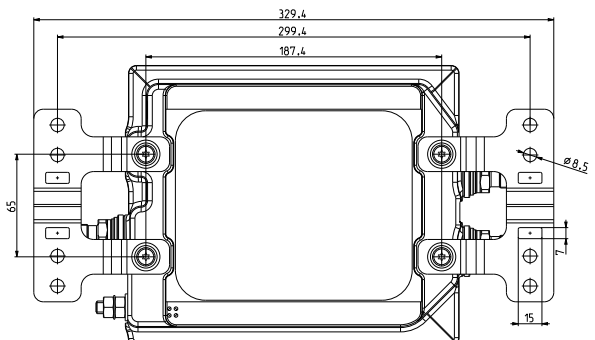
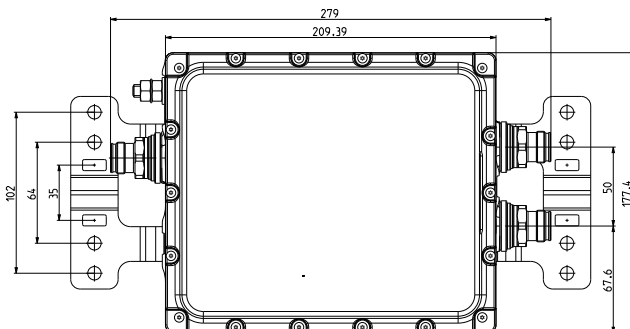
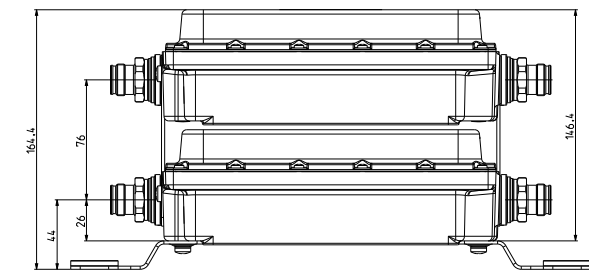
**Diagram I**

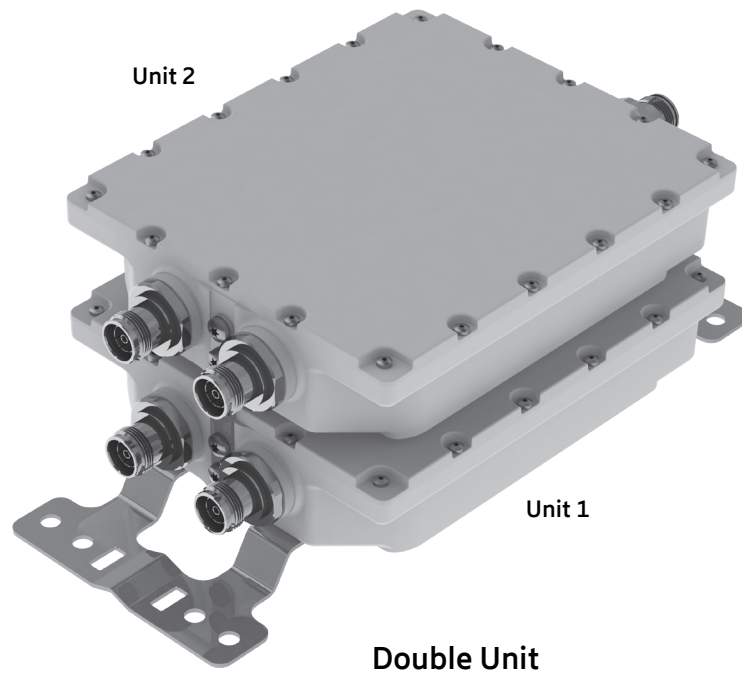


**Diagram II**



**Dimensions in mm**





# Dual-Band Combiner

78210979V43

790–862 MHz

880–960 MHz

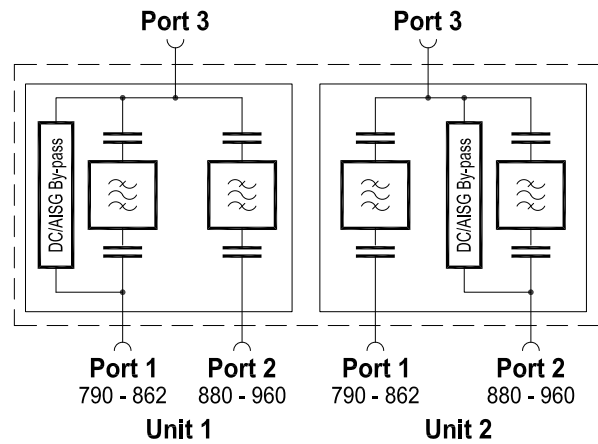
- Can be used as a combiner near the BTS or in a reciprocal function near the antenna
- Very low insertion loss
- Enables feeder sharing
- Designed for co-siting purposes
- Suitable for indoor and outdoor applications
- Wall or mast mounting
- Built-in lightning protection
- External DC stop available as an accessory



[ericsson.com/antenna-system](https://ericsson.com/antenna-system)



Scan or [click](#)



|                          |         |   |                     |
|--------------------------|---------|---|---------------------|
| Product No.              |         | 78210979V43<br>Double Unit  |                     |
| Pass band                |         |   |                     |
| Band 1                   | MHz     | 790 – 862   |                     |
| Band 2                   | MHz     | 880 – 960   |                     |
| Insertion loss           |         |   |                     |
| Port 1 ↔ Port 3          | dB      | < 0.4, typically 0.2 (790 – 862 MHz)  |                     |
| Port 2 ↔ Port 3          | dB      | < 0.4, typically 0.2 (880 – 960 MHz)  |                     |
| Isolation                |         |   |                     |
| Port 1 ↔ Port 2          | dB      | > 50 (790 – 862 MHz / 880 – 960 MHz)  |                     |
| VSWR                     |         | < 1.25 (790 – 862 / 880 – 960 MHz)  |                     |
| Impedance                | Ω       | 50  |                     |
| Input power              |         |   |                     |
| Band 1 / Band 2          | W       | < 300   |                     |
| Intermodulation products | dBc     | < -160 (3 <sup>rd</sup> order; with 2 x 20 W)   |                     |
| Temperature range        | °C   °F | -40 ... +60   -40 ... +140  |                     |
| Connectors               |         | 4.3-10 female   |                     |
| Application              |         | Indoor or outdoor (IP 66)   |                     |
| DC/AISG transparency     |         |   |                     |
| Port 1 ↔ Port 3          | mA      | Unit 1<br>By-pass (max. 2500)   | Unit 2<br>Stop      |
| Port 2 ↔ Port 3          | mA      | Stop  | By-pass (max. 2500) |
| Lightning protection     | kA      | 3, 10/350 μs pulse  |                     |
| Mounting                 |         | Wall mounting: With 4 screws (max. 8 mm diameter)<br>Mast mounting: With additional clamp set |                     |
| Weight                   | kg   lb | 5.1   11.2  |                     |
| Dimensions (w x h x d)   | mm   in | 177.4 x 209.4 x 108.35   7.0 x 8.2 x 4.3<br>(without connectors, without mounting brackets)   |                     |
| Packing size             | mm   in | 392 x 272 x 189   15.4 x 10.7 x 7.4   |                     |

## Accessories (order separately)

| Product No. |         | Clamp set suitable for<br>mast diameter of |
|-------------|---------|--|
| 734360      | mm   in | 34–60   1.34–2.36                          |
| 734364      | mm   in | 120–140   4.72–5.51                        |
| 734365      | mm   in | 45–125   1.77–4.92                         |

| Product No. | Description |
|-------------|-------------|
| 78210484    | 50-Ohm load |
| 78211000    | DC stop     |

## Typical Attenuation Curves

Diagram I

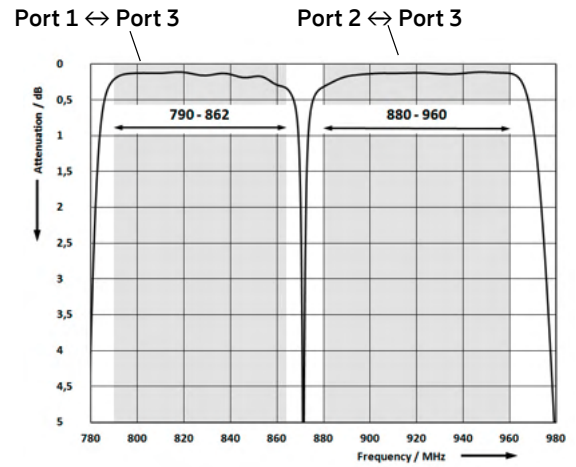
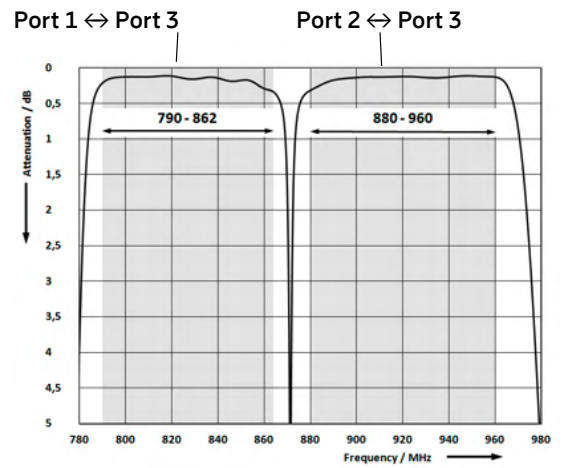
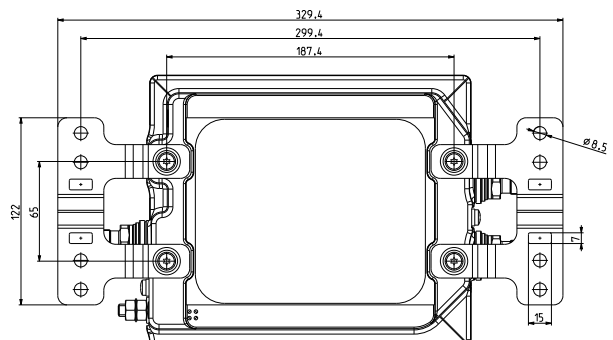
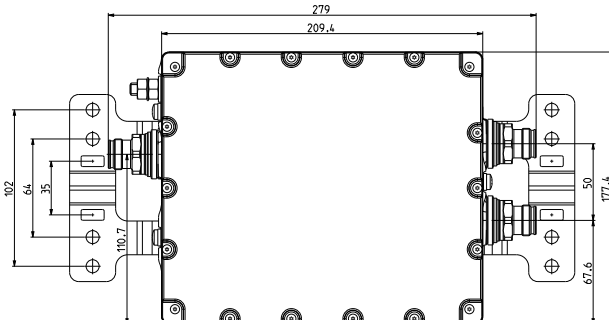
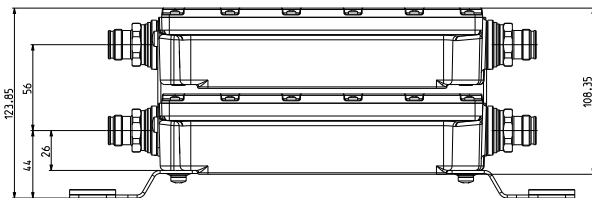
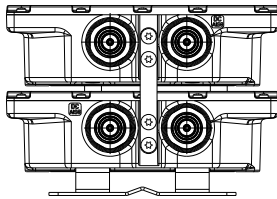
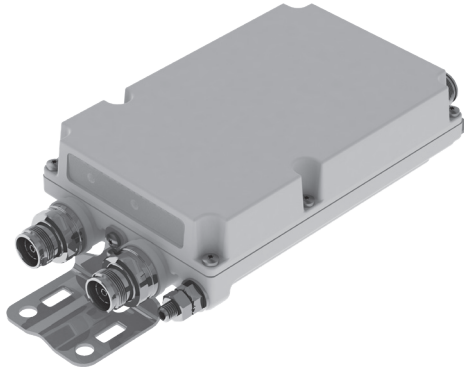


Diagram II

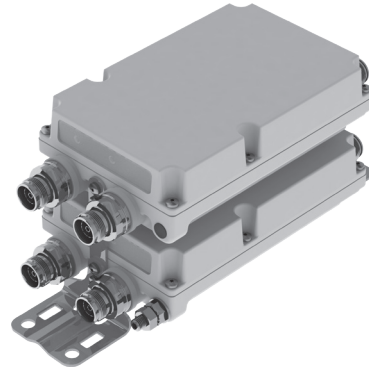


Dimensions in mm





Single Unit



Double Unit

# Dual-Band Combiner

78211460, 78211461,  
78211462, 78211463

380–960 MHz  
1427–3800 MHz

- Can be used as a combiner near the BTS or in a reciprocal function near the antenna
- Very low insertion loss
- Enables feeder sharing
- Designed for co-siting purposes
- Available as a single unit, or for XPol antennas as double unit
- Suitable for indoor and outdoor applications
- Wall or mast mounting
- Built-in lightning protection
- External DC stop available as an accessory

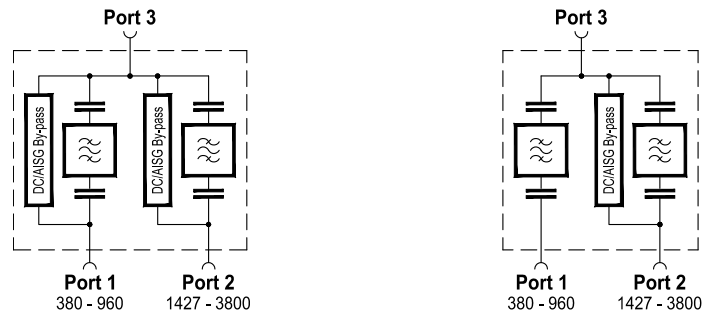


[ericsson.com/antenna-system](https://ericsson.com/antenna-system)



Scan or [click](#)





| Product No.  |            | 78211460<br>Single Unit  | 78211462<br>Single Unit     |
|--|------------|--|-----------------------------|
|  |            | 78211461<br>Double Unit  | 78211463<br>Double Unit     |
| Pass band<br>Band 1<br>Band 2                              | MHz<br>MHz | 380 – 960<br>1427 – 3800   |                             |
| Insertion loss<br>Port 1 ↔ Port 3<br>Port 2 ↔ Port 3       | dB<br>dB   | < 0.2 (380 – 960 MHz)<br>< 0.2 (1427 – 3800 MHz)   |                             |
| Isolation<br>Port 1 ↔ Port 2                               | dB         | > 40   |                             |
| VSWR   |            | < 1.25   |                             |
| Impedance  | Ω          | 50   |                             |
| Input power<br>Band 1 / Band 2                             | W          | < 300 / < 200 (1427 – 2700 MHz); < 100 (2700 – 3800 MHz)   |                             |
| Intermodulation products                                   | dBc        | < -160 (3 <sup>rd</sup> order; with 2 x 20 W)  |                             |
| Temperature range  | °C   °F    | -40 ... +60   -40 ... +140   |                             |
| Connectors   |            | 4.3-10 female  |                             |
| Application  |            | Indoor or outdoor (IP 66)  |                             |
| DC/AISG transparency<br>Port 1 ↔ Port 3<br>Port 2 ↔ Port 3 | mA<br>mA   | By-pass (max. 2500)<br>By-pass (max. 2500)   | Stop<br>By-pass (max. 2500) |
| Lightning protection                                       | kA         | 3, 10/350 μs pulse   |                             |
| Mounting   | mm   in    | Wall mounting: With 4 screws (max. 8   0.315 diameter) / Mast mounting: With additional clamp set  |                             |
| Weight   | kg   lb    | Single Unit: 1.7   3.7 / Double Unit: 3.4   7.5  |                             |
| Dimensions (w x h x d)                                     | mm   in    | Single Unit: 183 x 117 x 55   7.2 x 4.6 x 2.2<br>Double Unit: 183 x 117 x 115   7.2 x 4.6 x 4.5<br>(without connectors, without mounting brackets) |                             |
| Packing size   | mm   in    | Single Unit: 353 x 181 x 129   13.9 x 7.1 x 5.1 / Double Unit: 353 x 181 x 188   13.9 x 7.1 x 7.4  |                             |

**Accessories (order separately)**

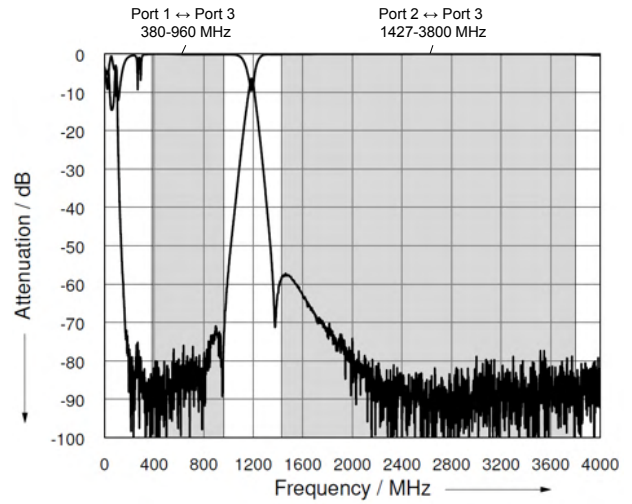
| Product No. |         | Clamp set suitable for<br>mast diameter of |
|-------------|---------|--|
| 734360      | mm   in | 34–60   1.34–2.36                          |
| 734364      | mm   in | 120–140   4.72–5.51                        |
| 734365      | mm   in | 45–125   1.77–4.92                         |

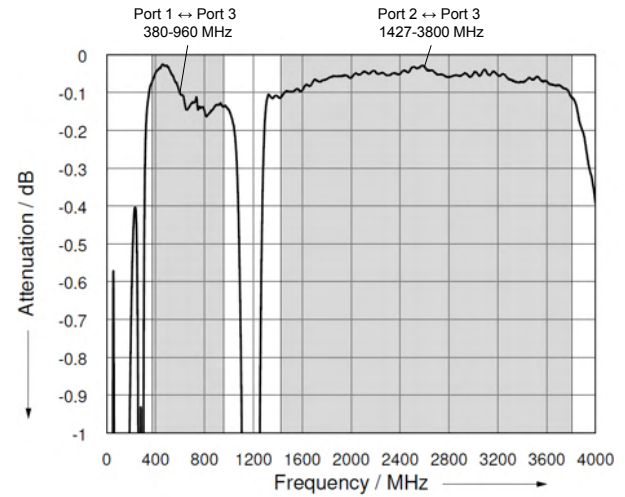
| Product No. | Description |
|-------------|-------------|
| 78210484    | 50-Ohm load |
| 78211000    | DC stop     |

**Typical Attenuation Curves**

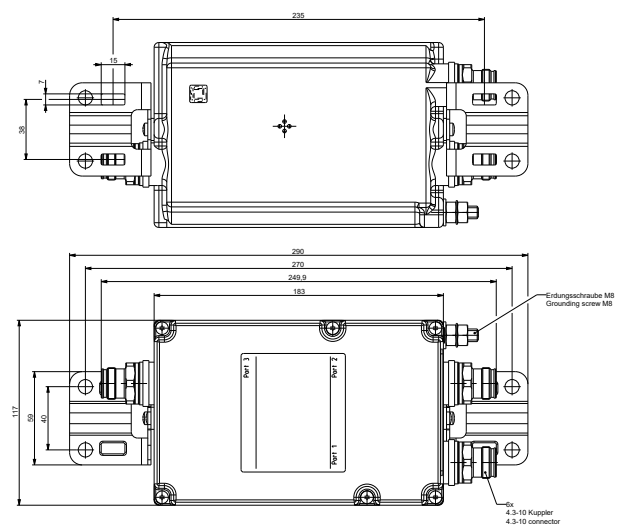
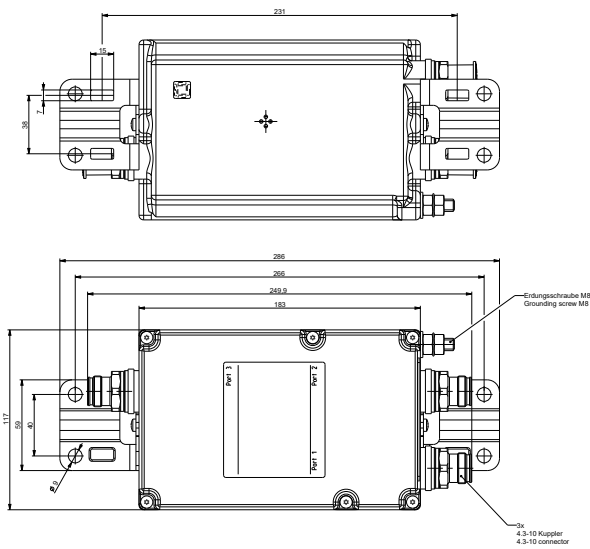
**Diagram I**

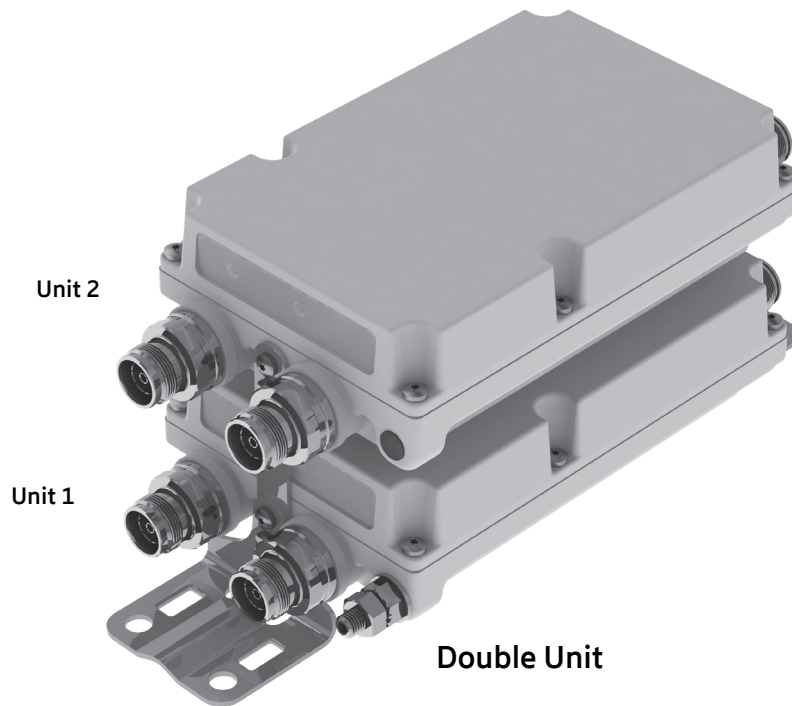


**Diagram II**



**Dimensions in mm**





# Dual-Band Combiner

78211466

380–960 MHz  
1427–3800 MHz

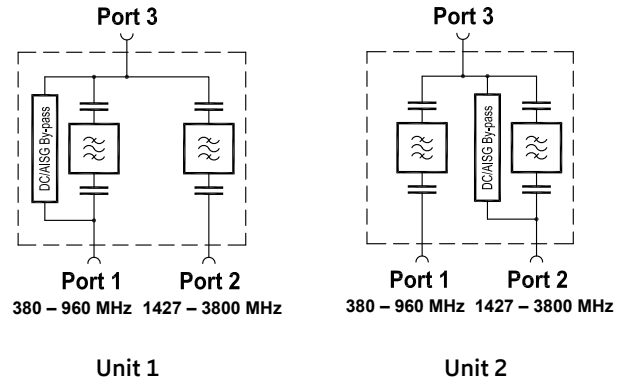
- Can be used as a combiner near the BTS or in a reciprocal function near the antenna
- Very low insertion loss
- Enables feeder sharing
- Designed for co-siting purposes
- Suitable for indoor and outdoor applications
- Wall or mast mounting
- Built-in lightning protection
- External DC stop available as an accessory



[ericsson.com/antenna-system](https://ericsson.com/antenna-system)



Scan or [click](#)



|   |         |   |                     |
|---|---------|---|---------------------|
| <b>Product No.</b>                      |         | <b>78211466</b><br><b>Double Unit</b>   |                     |
| Pass band<br>Band 1                     | MHz     | 380 – 960   |                     |
| Band 2                                  | MHz     | 1427 – 3800   |                     |
| Insertion loss<br>Port 1 ↔ Port 3       | dB      | < 0.2 (380 – 960 MHz)   |                     |
| Port 2 ↔ Port 3                         | dB      | < 0.2 (1427 – 3800 MHz)   |                     |
| Isolation                               | dB      | > 40  |                     |
| VSWR                                    |         | < 1.25  |                     |
| Impedance                               | Ω       | 50  |                     |
| Input power<br>Band 1 / Band 2          | W       | < 300 / < 200 (1427 - 2700 MHz); < 100 (2700 - 3800 MHz)  |                     |
| Intermodulation products                | dBc     | < -160 (3 <sup>rd</sup> order; with 2 x 20 W)   |                     |
| Temperature range                       | °C   °F | -40 ... +60   -40 ... +140  |                     |
| Connectors                              |         | 4.3-10 female   |                     |
| Application                             |         | Indoor or outdoor (IP 66)   |                     |
| DC/AISG transparency<br>Port 1 ↔ Port 3 | mA      | Unit 1<br>By-pass (max. 2500)   | Unit 2<br>Stop      |
| Port 2 ↔ Port 3                         | mA      | Stop  | By-pass (max. 2500) |
| Lightning protection                    | kA      | 3, 10/350 μs pulse  |                     |
| Mounting                                | mm   in | Wall mounting: With 4 screws (max. 8   0.315 diameter) / Mast mounting: With additional clamp set |                     |
| Weight                                  | kg   lb | 3.4   7.5   |                     |
| Dimensions (w x h x d)                  | mm   in | 183 x 117 x 115   7.2 x 4.6 x 4.5<br>(without connectors, without mounting brackets)              |                     |
| Packing size                            | mm   in | 353 x 181 x 188   13.9 x 7.1 x 7.4  |                     |

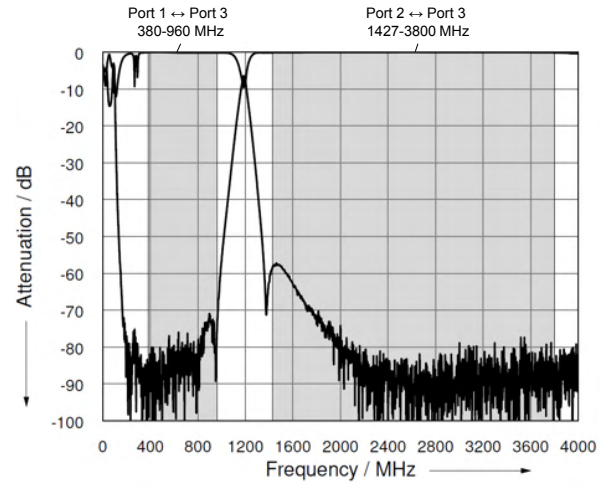
**Accessories (order separately)**

| Product No. |         | Clamp set suitable for mast diameter of |
|-------------|---------|---|
| 734360      | mm   in | 34–60   1.34–2.36                       |
| 734364      | mm   in | 120–140   4.72–5.51                     |
| 734365      | mm   in | 45–125   1.77–4.92                      |

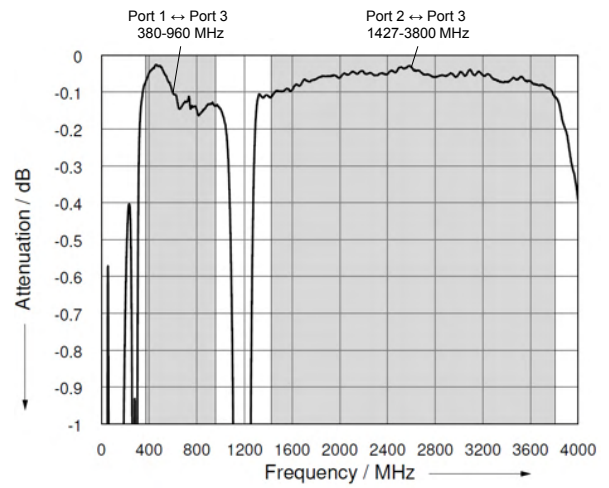
| Product No. | Description |
|-------------|-------------|
| 78210484    | 50-Ohm load |
| 78211000    | DC stop     |

**Typical Attenuation Curves**

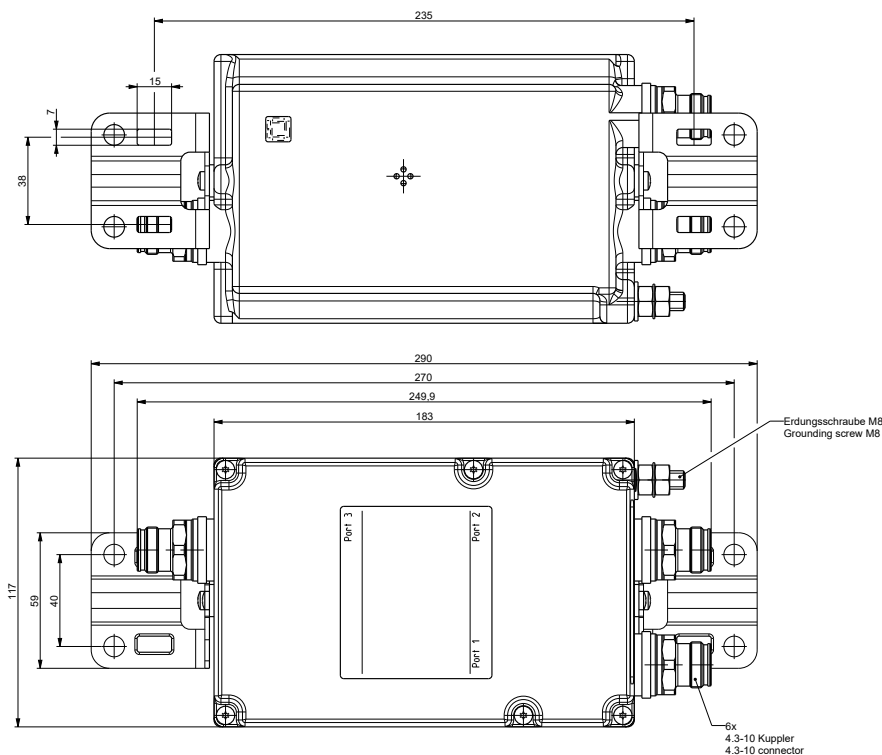
**Diagram I**

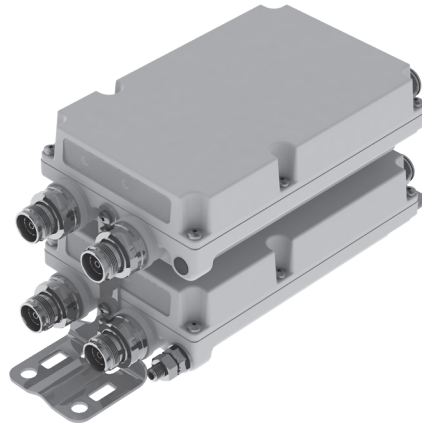


**Diagram II**



**Dimensions in mm**



AUTO-  
SENSE

Double Unit

# Dual-Band Combiner

78211468, 78211468V01

380–960 MHz  
1427–3800 MHz

- Can be used as a combiner near the BTS or in a reciprocal function near the antenna
- Very low insertion loss
- Enables feeder sharing
- Designed for co-siting purposes
- Integrated Auto-Sense technology for automatic DC / AISG detection and bypass functionality
- Suitable for indoor and outdoor applications
- Wall or mast mounting
- Built-in lightning protection



[ericsson.com/antenna-system](https://ericsson.com/antenna-system)

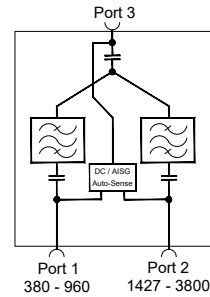


Scan or [click](#)

**Priority table for 78211468V01 with Priority Controlled Function**

|               |                      |
|---------------|----------------------|
| 380–960 MHz   | Priority 2 (lowest)  |
| 1427–3800 MHz | Priority 1 (highest) |

For more information see Auto-Sense quick guide



|  |            |  |
|--|------------|--|
| <b>Product No.</b><br><b>DC/AISG transparency</b><br><b>1. First In - First Out Function</b><br><b>2. Priority Controlled Function</b> |            | <b>78211468</b><br><b>78211468V01</b><br><b>Double Unit</b>  |
| Pass band<br>Band 1<br>Band 2  | MHz<br>MHz | 380 – 960<br>1427 – 3800   |
| Insertion loss<br>Port 1 ↔ Port 3<br>Port 2 ↔ Port 3   | dB<br>dB   | < 0.2 (380 – 960 MHz)<br>< 0.2 (1427 – 3800 MHz)   |
| Isolation<br>Port 1 ↔ Port 2   | dB         | > 40   |
| VSWR   |            | < 1.25   |
| Impedance  | Ω          | 50   |
| Input power<br>Band 1 / Band 2   | W          | < 300 / < 200 (1427 – 2700 MHz); < 100 (2700 – 3800 MHz)   |
| Intermodulation products   | dBc        | < -160 (3 <sup>rd</sup> order; with 2 x 20 W)  |
| Temperature range  | °C   °F    | -40 ... +60   -40 ... +140   |
| Connectors   |            | 4.3-10 female  |
| Application  |            | Indoor or outdoor (IP 66)  |
| DC/AISG transparency<br>Port 1 ↔ Port 3<br>Port 2 ↔ Port 3   | mA<br>mA   | Auto-Sense (max. 2000)<br>Auto-Sense (max. 2000)   |
| Lightning protection   | kA         | 3, 10/350 μs pulse   |
| Wind load (at Rated Wind Speed 150 km/h   93 mph)  | N   lbf    | frontal: 42   9<br>lateral: 31   7   |
| Mounting   | mm   in    | Wall mounting: With 4 screws (max. 8   0.315 diameter)<br>Mast mounting: With additional clamp set |
| Weight   | kg   lb    | 3.4   7.5  |
| Dimensions (w x h x d)   | mm   in    | 183 x 117 x 115   7.2 x 4.6 x 4.5<br>(without connectors, without mounting brackets)               |
| Packing size   | mm   in    | 353 x 181 x 188   13.9 x 7.1 x 7.4   |

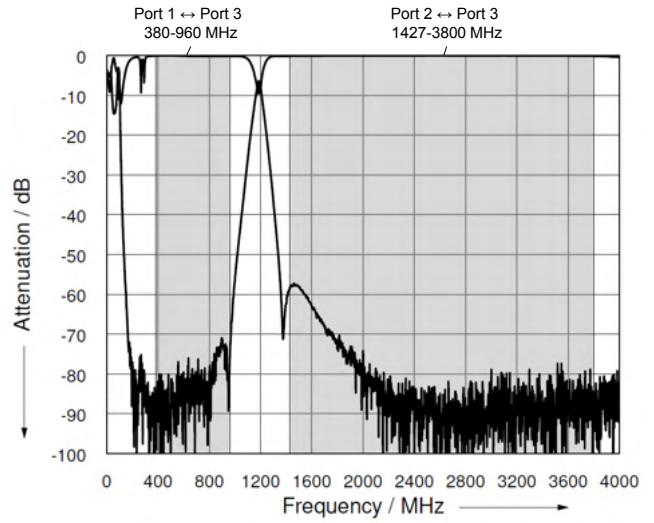
**Accessories (order separately)**

| Product No. |         | Clamp set suitable for mast diameter of |
|-------------|---------|---|
| 734360      | mm   in | 34–60   1.34–2.36                       |
| 734364      | mm   in | 120–140   4.72–5.51                     |
| 734365      | mm   in | 45–125   1.77–4.92                      |

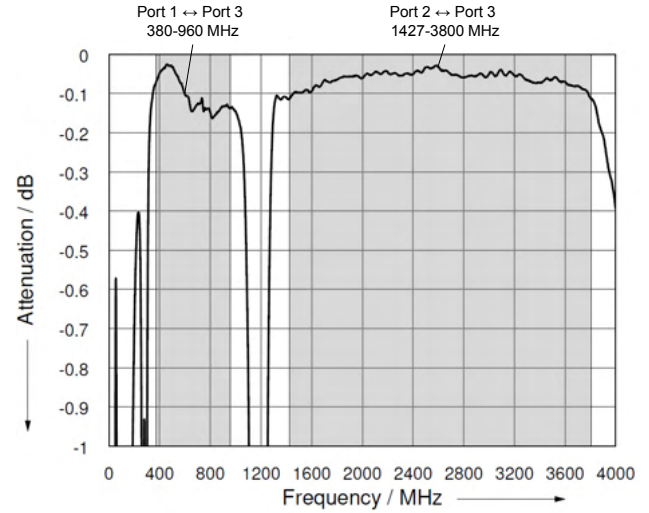
| Product No. | Description |
|-------------|-------------|
| 78210484    | 50-Ohm load |
| 78211000    | DC stop     |

**Typical Attenuation Curves**

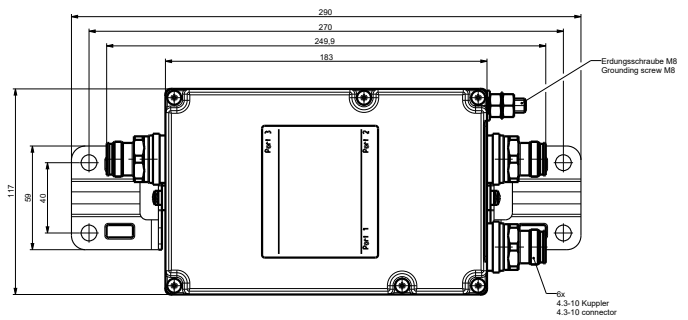
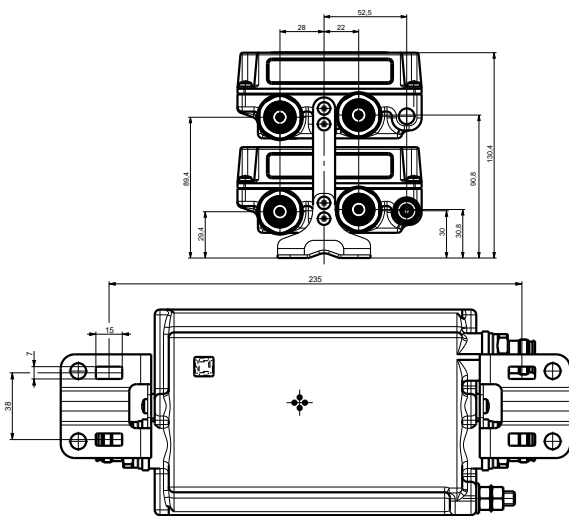
**Diagram I**



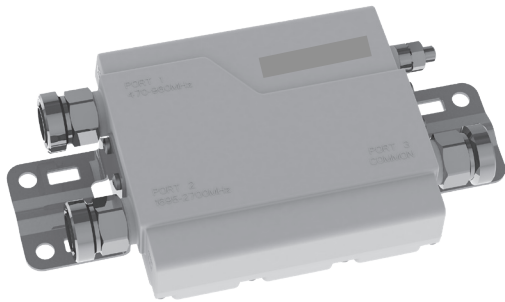
**Diagram II**



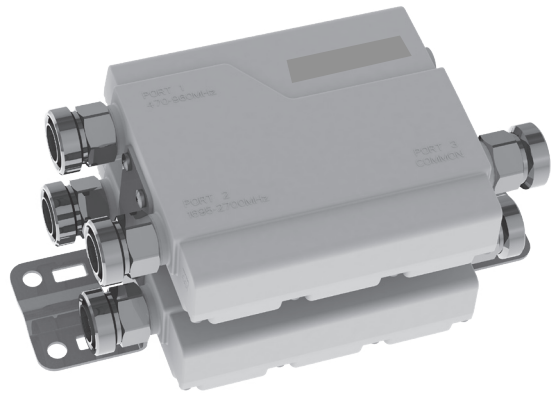
Dimensions in mm







Single Unit



Double Unit

# Dual-Band Combiner

78210660, 78210661,  
78210662, 78210663

470–960 MHz  
1695–2700 MHz

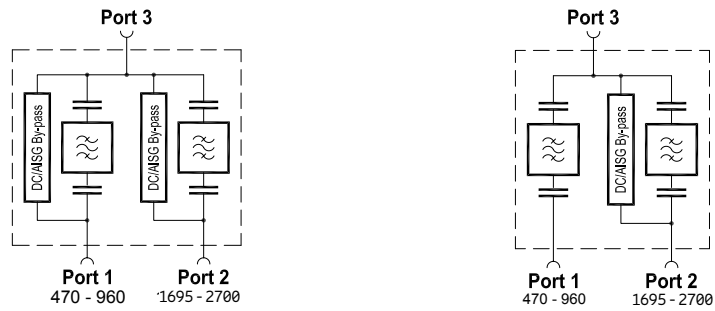
- Enables feeder sharing
- Can be used as a combiner near the BTS or in a reciprocal function near the antenna
- Suitable for indoor or outdoor applications
- Wall or mast mounting
- Available as a single unit, or for XPol antennas as a double unit
- Built-in lightning protection
- External DC stop available as an accessory
- Very low insertion loss



[ericsson.com/antenna-system](https://ericsson.com/antenna-system)



Scan or [click](#)



| Product No.  |            | 78210660<br>Single Unit  | 78210662<br>Single Unit     |
|--|------------|--|-----------------------------|
|  |            | 78210661<br>Double Unit  | 78210663<br>Double Unit     |
| Pass band<br>Band 1<br>Band 2                              | MHz<br>MHz | 470 – 960<br>1695 – 2700   |                             |
| Insertion loss<br>Port 1 ↔ Port 3<br>Port 2 ↔ Port 3       | dB<br>dB   | < 0.1 (470 – 960 MHz)<br>< 0.1 (1695 – 2700 MHz)   |                             |
| Isolation<br>Port 1 ↔ Port 2                               | dB         | > 55 (470 – 960 MHz) / > 65 (1695 – 2700 MHz)  |                             |
| VSWR   |            | < 1.2 (470 – 960 MHz / 1695 – 2700 MHz)  |                             |
| Impedance  | Ω          | 50   |                             |
| Input power<br>Band 1 / Band 2                             | W          | < 650 / < 350  |                             |
| Intermodulation products                                   | dBc        | < -160 (3 <sup>rd</sup> order; with 2 x 20 W)  |                             |
| Temperature range  | °C   °F    | -55 ... +60   -67 ... +140   |                             |
| Connectors   |            | 7-16 female (long neck)  |                             |
| Application  |            | Indoor or outdoor (IP 66)  |                             |
| DC/AISG transparency<br>Port 1 ↔ Port 3<br>Port 2 ↔ Port 3 | mA<br>mA   | By-pass (max. 2500)<br>By-pass (max. 2500)   | Stop<br>By-pass (max. 2500) |
| Lightning protection                                       | kA         | 3, 10/350 μs pulse   |                             |
| Mounting   |            | Wall mounting: With 4 screws (max. 8 mm diameter) / Mast mounting: With additional clamp set   |                             |
| Weight   | kg   lb    | Single Unit: 1.2   2.6 / Double Unit: 2.4   5.3  |                             |
| Dimensions (w x h x d)                                     | mm   in    | Single Unit: 126 x 145 x 38   5.0 x 5.7 x 1.5 / Double Unit: 126 x 145 x 93   5.0 x 5.7 x 3.7<br>(without connectors, without mounting brackets) |                             |
| Packing size   | mm   in    | Single Unit: 285 x 157 x 93   11.2 x 6.2 x 3.7 / Double Unit: 285 x 157 x 148   11.2 x 6.2 x 5.8   |                             |

**Accessories (order separately)**

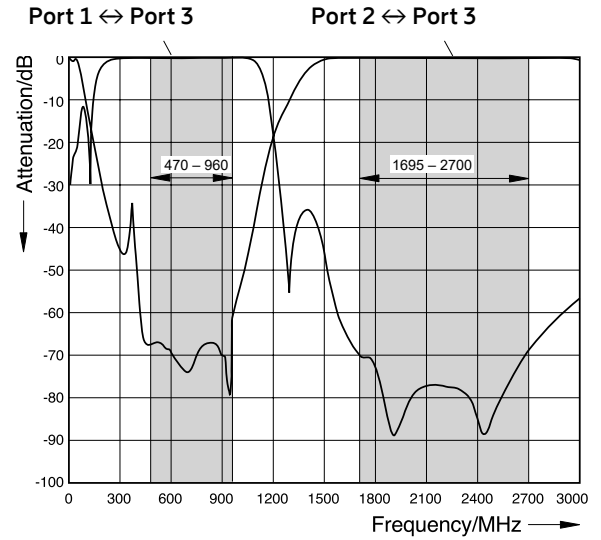
| Product No. |         | Clamp set suitable for<br>most diameter of |
|-------------|---------|--|
| 734360      | mm   in | 34–60   1.34–2.36                          |
| 734364      | mm   in | 120–140   4.72–5.51                        |
| 734365      | mm   in | 45–125   1.77–4.92                         |

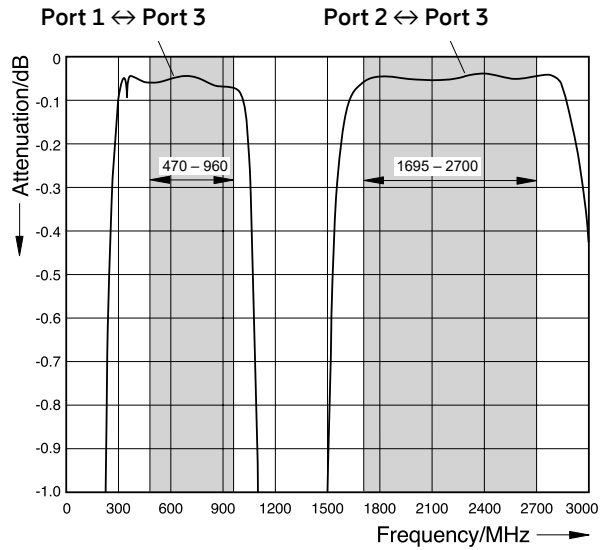
| Product No. | Description |
|-------------|-------------|
| 78210484    | 50-Ohm load |
| 78211000    | DC stop     |

**Typical Attenuation Curves**

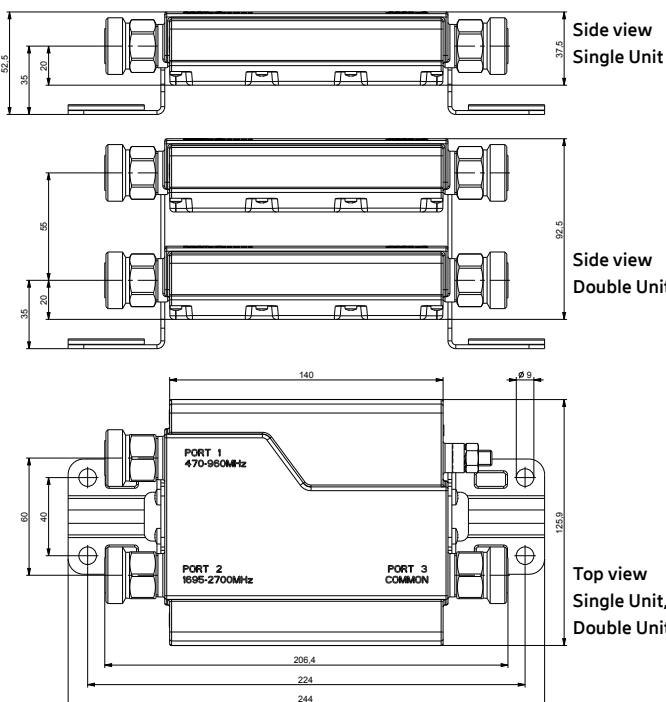
**Diagram I**

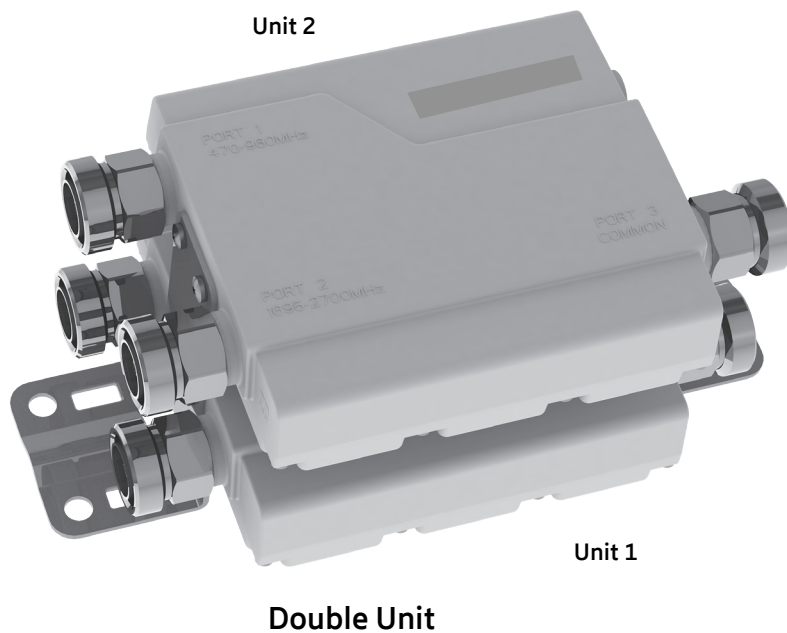


**Diagram II**



**Dimensions in mm**





# Dual-Band Combiner

78210669

470–960 MHz

1695–2700 MHz

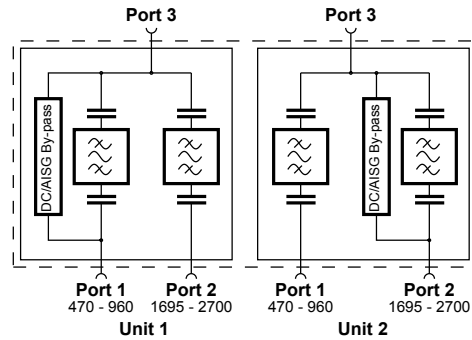
- Designed to support separate DC/AISG supply for a low-band and high-band DTMA via 2 feeder cables (see application)
- Enables feeder sharing
- Can be used as a combiner near the BTS or in a reciprocal function near the antenna
- Suitable for indoor or outdoor applications
- Wall or mast mounting
- Double unit for XPol antennas
- Built-in lightning protection
- Extremely small dimensions and low weight
- Very low insertion loss
- High input power



[ericsson.com/antenna-system](https://ericsson.com/antenna-system)



Scan or [click](#)



|                          |         |   |                     |
|--------------------------|---------|---|---------------------|
| <b>Product No.</b>       |         | <b>78210669<br/>Double Unit</b>   |                     |
| Pass band                |         |   |                     |
| Band 1                   | MHz     | 470 – 960   |                     |
| Band 2                   | MHz     | 1695 – 2700   |                     |
| Insertion loss           |         |   |                     |
| Port 1 ↔ Port 3          | dB      | < 0.1 (470 – 960 MHz)   |                     |
| Port 2 ↔ Port 3          | dB      | < 0.1 (1695 – 2700 MHz)   |                     |
| Isolation                |         |   |                     |
| Port 1 ↔ Port 2          | dB      | > 55 (470 – 960 MHz) / > 65 (1695 – 2700 MHz)   |                     |
| VSWR (all ports)         |         | < 1.2 (470 – 960 / 1695 – 2700 MHz)   |                     |
| Impedance                | Ω       | 50  |                     |
| Input power              |         |   |                     |
| Band 1                   | W       | < 650   |                     |
| Band 2                   | W       | < 350   |                     |
| Intermodulation products | dBc     | < –160 (3rd order with 2 x 20 W)  |                     |
| Temperature range        | °C   °F | –55 ... +60   –67 ... +140  |                     |
| Connectors               |         | 7-16 female (long neck)   |                     |
| Application              |         | Indoor or outdoor (IP 66)   |                     |
| DC/AISG transparency     |         | Unit 1  | Unit 2              |
| Port 1 ↔ Port 3          | mA      | By-pass (max. 2500)   | Stop                |
| Port 2 ↔ Port 3          | mA      | Stop  | By-pass (max. 2500) |
| Lightning protection     | kA      | 3, 10/350 μs pulse  |                     |
| Mounting                 |         | Wall mounting: With 4 screws (max. 8 mm diameter) /<br>Mast mounting: With additional clamp set |                     |
| Weight                   | kg   lb | 2.4   5.3   |                     |
| Dimensions (w x h x d)   | mm   in | 126 x 145 x 93   5.0 x 5.7 x 3.7<br>(without connectors, without mounting brackets)             |                     |
| Packing size             | mm   in | 285 x 157 x 148   11.2 x 6.2 x 5.8  |                     |

**Accessories (order separately)**

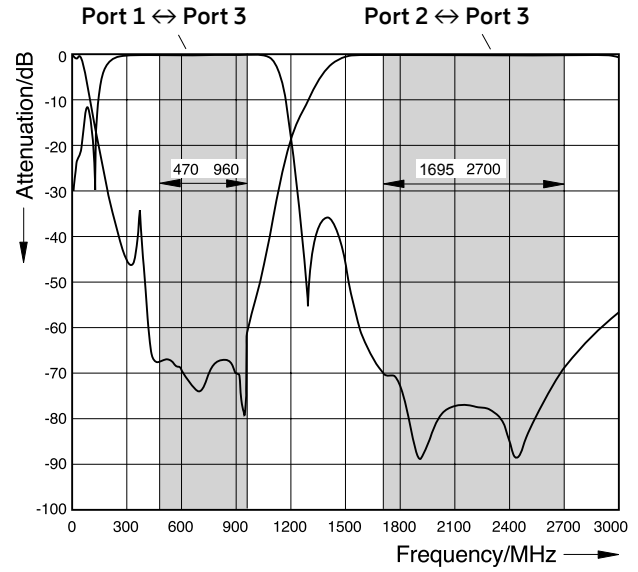
| Product No. |         | Clamp set suitable for mast diameter of |
|-------------|---------|---|
| 734360      | mm   in | 34–60   1.34–2.36                       |
| 734364      | mm   in | 120–140   4.72–5.51                     |
| 734365      | mm   in | 45–125   1.77–4.92                      |

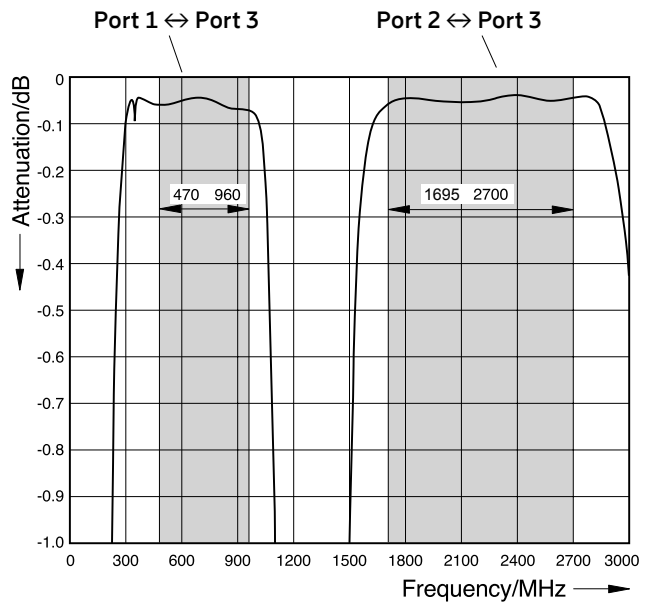
| Product No. | Description |
|-------------|-------------|
| 78410367    | 50-Ohm load |
| 78210850V01 | DC stop     |

**Typical Attenuation Curves**

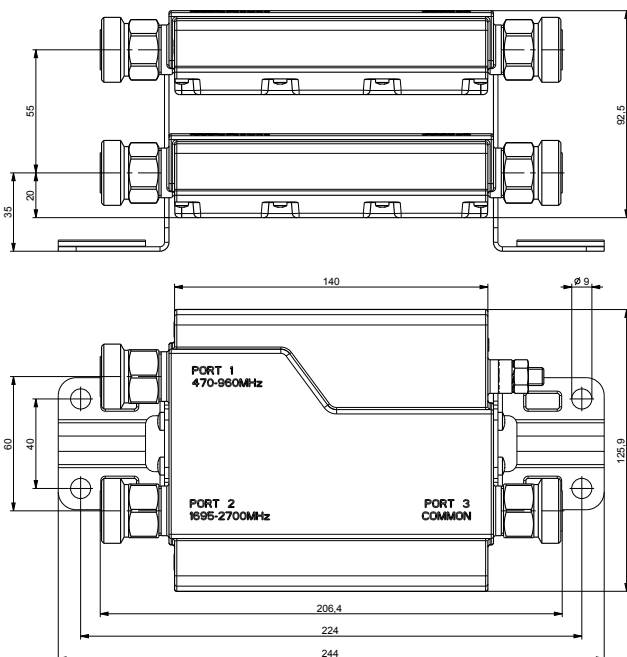
**Diagram I**



**Diagram II**

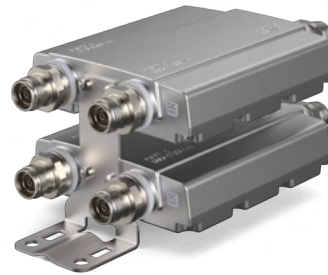


**Dimensions in mm**





Single Unit



Double Unit

# Dual-Band Combiner

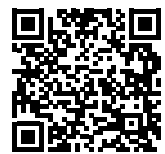
78210660V43, 78210661V43,  
78210662V43, 78210663V43

470–960 MHz  
1695–2700 MHz

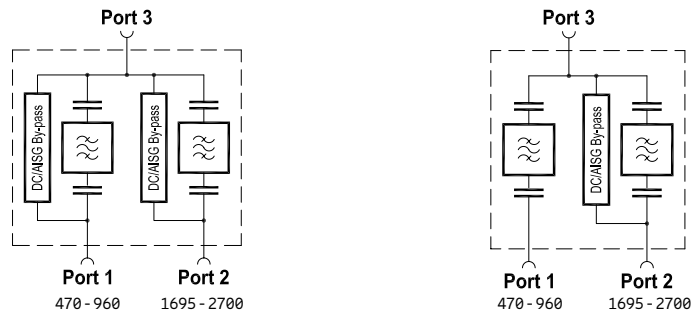
- Can be used as a combiner near the BTS or in a reciprocal function near the antenna
- Very low insertion loss
- Enables feeder sharing
- Available as a single unit, or for XPol antennas as double unit
- Suitable for indoor or outdoor applications
- Wall or mast mounting
- Built-in lightning protection
- External DC stop available as an accessory



[ericsson.com/antenna-system](https://ericsson.com/antenna-system)



Scan or [click](#)



| Product No.  |            | 78210660V43<br>Single Unit   | 78210662V43<br>Single Unit  |
|--|------------|--|-----------------------------|
|  |            | 78210661V43<br>Double Unit   | 78210663V43<br>Double Unit  |
| Pass band<br>Band 1<br>Band 2                              | MHz<br>MHz | 470 – 960<br>1695 – 2700   |                             |
| Insertion loss<br>Port 1 ↔ Port 3<br>Port 2 ↔ Port 3       | dB<br>dB   | < 0.1 (470 – 960 MHz)<br>< 0.1 (1695 – 2700 MHz)   |                             |
| Isolation<br>Port 1 ↔ Port 2                               | dB         | > 55 (470 – 960 MHz) / > 65 (1695 – 2700 MHz)  |                             |
| VSWR   |            | < 1.2 (470 – 960 MHz / 1695 – 2700 MHz)  |                             |
| Impedance  | Ω          | 50   |                             |
| Input power<br>Band 1 / Band 2                             | W          | < 300 / < 300  |                             |
| Intermodulation products                                   | dBc        | < -160 (3 <sup>rd</sup> order; with 2 x 20 W)  |                             |
| Temperature range  | °C   °F    | -55 ... +60   -67 ... +140   |                             |
| Connectors   |            | 4.3-10 female  |                             |
| Application  |            | Indoor or outdoor (IP 66)  |                             |
| DC/AISG transparency<br>Port 1 ↔ Port 3<br>Port 2 ↔ Port 3 | mA<br>mA   | By-pass (max. 2500)<br>By-pass (max. 2500)   | Stop<br>By-pass (max. 2500) |
| Lightning protection                                       | kA         | 3, 10/350 ms pulse   |                             |
| Mounting   |            | Wall mounting: With 4 screws (max. 8 mm diameter) / Mast mounting: With additional clamp set   |                             |
| Weight   | kg   lb    | Single Unit: 1.2   2.6 / Double Unit: 2.4   5.3  |                             |
| Dimensions (w x h x d)                                     | mm   in    | Single Unit: 126 x 145 x 38   5.0 x 5.7 x 1.5 / Double Unit: 126 x 145 x 93   5.0 x 5.7 x 3.7<br>(without connectors, without mounting brackets) |                             |
| Packing size   | mm   in    | Single Unit: 285 x 157 x 93   11.2 x 6.2 x 3.7 / Double Unit: 285 x 157 x 148   11.2 x 6.2 x 5.8   |                             |



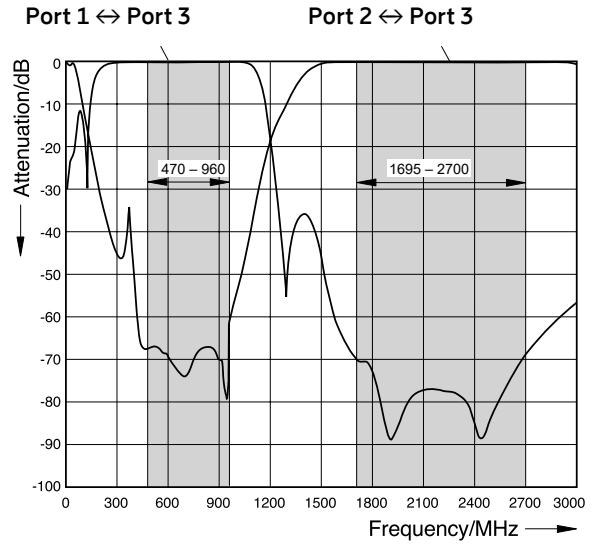
**Accessories (order separately)**

| Product No. |         | Clamp set suitable for<br>most diameter of |
|-------------|---------|--|
| 734360      | mm   in | 34–60   1.34–2.36                          |
| 734364      | mm   in | 120–140   4.72–5.51                        |
| 734365      | mm   in | 45–125   1.77–4.92                         |

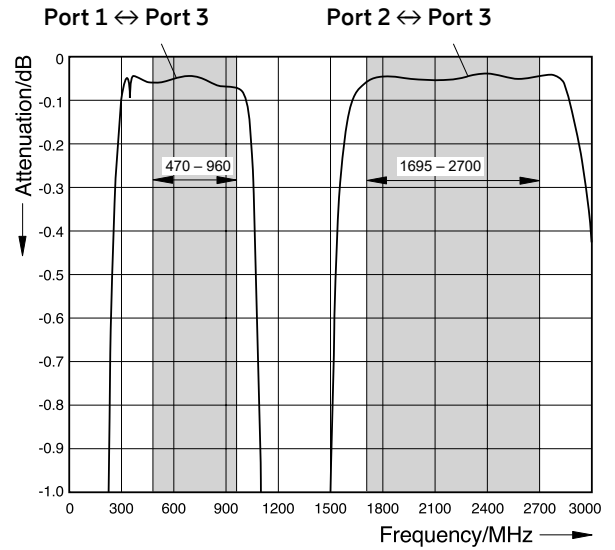
| Product No. | Description |
|-------------|-------------|
| 78210484    | 50-Ohm load |
| 78211000    | DC stop     |

**Typical Attenuation Curves**

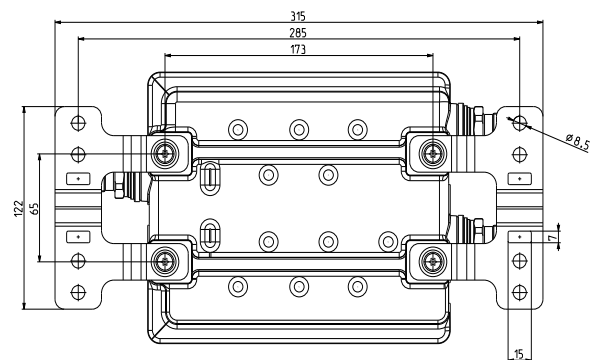
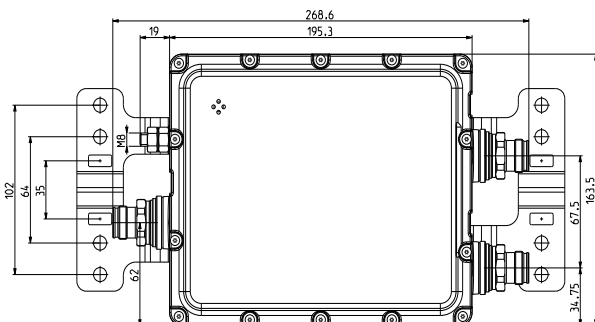
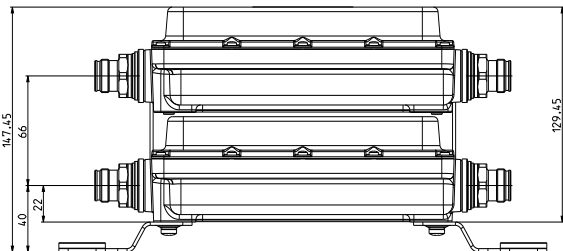
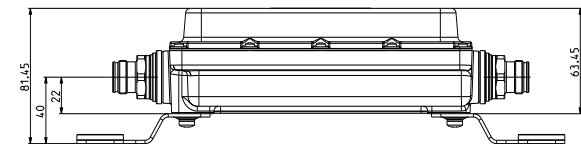
**Diagram I**

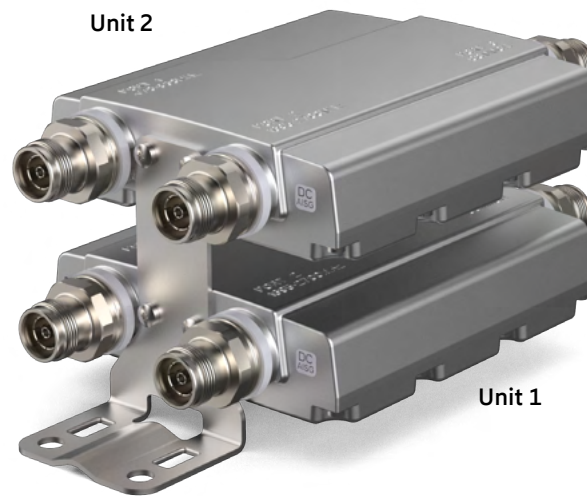


**Diagram II**



**Dimensions in mm**





Double Unit

# Dual-Band Combiner

78210669V43

470–960 MHz  
1695–2700 MHz

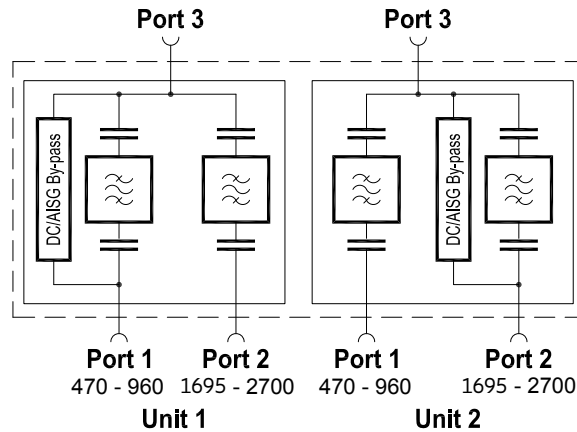
- Can be used as a combiner near the BTS or in a reciprocal function near the antenna
- Very low insertion loss
- Enables feeder sharing
- Designed for co-siting purposes
- Suitable for indoor and outdoor applications
- Wall or mast mounting
- Built-in lightning protection
- External DC stop available as an accessory



[ericsson.com/antenna-system](https://ericsson.com/antenna-system)



Scan or [click](#)



|  |            |   |                                       |
|--|------------|---|---------------------------------------|
| Product No.  |            | 78210669V43<br>Double Unit  |                                       |
| Pass band<br>Band 1<br>Band 2                              | MHz<br>MHz | 470 – 960<br>1695 – 2700  |                                       |
| Insertion loss<br>Port 1 ↔ Port 3<br>Port 2 ↔ Port 3       | dB<br>dB   | < 0.1 (470 – 960 MHz)<br>< 0.1 (1695 – 2700 MHz)  |                                       |
| Isolation<br>Port 1 ↔ Port 2                               | dB         | > 55 (470 – 960 MHz) / > 65 (1695 – 2700 MHz)   |                                       |
| VSWR (all ports)   |            | < 1.2 (470 – 960 / 1695 – 2700 MHz)   |                                       |
| Impedance  | Ω          | 50  |                                       |
| Input power<br>Band 1 / Band 2                             | W          | < 300 / < 300   |                                       |
| Intermodulation products                                   | dBc        | < -160 (3 <sup>rd</sup> order with 2 x 20 W)  |                                       |
| Temperature range  | °C   °F    | -55 ... +60   -67 ... +140  |                                       |
| Connectors   |            | 4.3-10 female   |                                       |
| Application  |            | Indoor or outdoor (IP 66)   |                                       |
| DC/AISG transparency<br>Port 1 ↔ Port 3<br>Port 2 ↔ Port 3 | mA<br>mA   | Unit 1<br>By-pass (max. 2500)<br>Stop   | Unit 2<br>Stop<br>By-pass (max. 2500) |
| Lightning protection                                       | kA         | 3, 10/350 μs pulse  |                                       |
| Mounting   |            | Wall mounting: With 4 screws (max. 8 mm diameter) /<br>Mast mounting: With additional clamp set |                                       |
| Weight   | kg   lb    | 2.4   5.3   |                                       |
| Dimensions (w x h x d)                                     | mm   in    | 126 x 145 x 93   5.0 x 5.7 x 3.7<br>(without connectors, without mounting brackets)             |                                       |
| Packing size   | mm   in    | 285 x 157 x 148   11.2 x 6.2 x 5.8  |                                       |

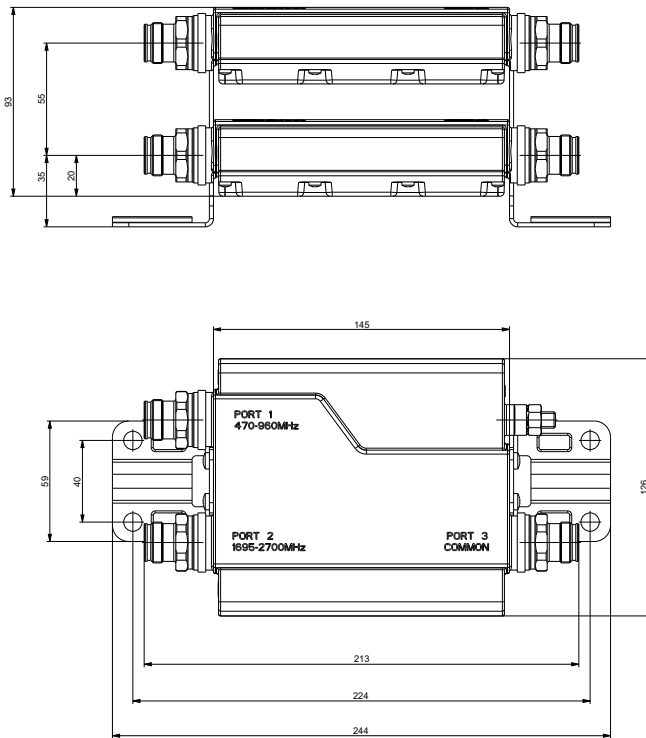
**Accessories (order separately)**

| Product No. |         | Clamp set suitable for mast diameter of |
|-------------|---------|---|
| 734360      | mm   in | 34–60   1.34–2.36                       |
| 734364      | mm   in | 120–140   4.72–5.51                     |
| 734365      | mm   in | 45–125   1.77–4.92                      |

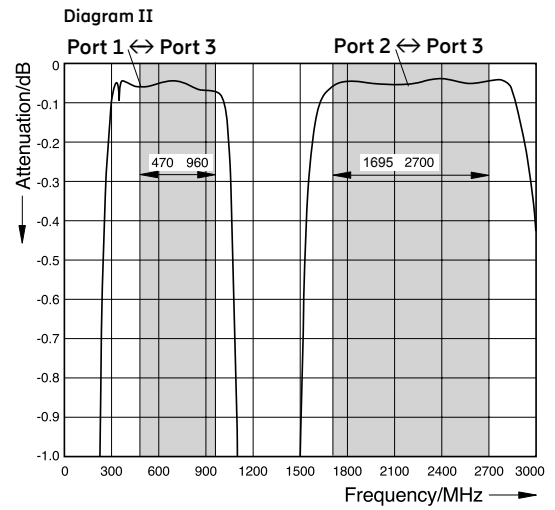
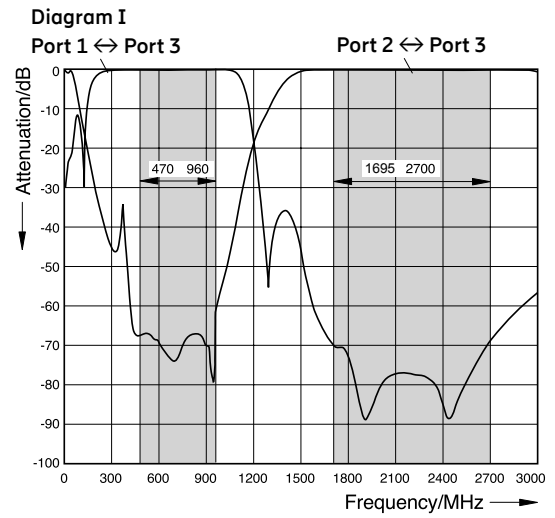
  

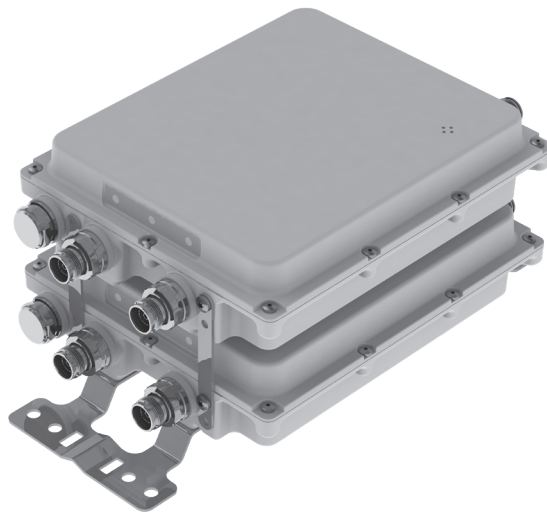
| Product No. | Description |
|-------------|-------------|
| 78210484    | 50-Ohm load |
| 78211000    | DC stop     |

**Dimensions in mm**



**Typical Attenuation Curves**



AUTO-  
SENSE

Double Unit

# Dual-Band Combiner

78211628, 78211628V01

1427–1880 MHz  
1920–2690 MHz

- Can be used as a combiner near the BTS or in a reciprocal function near the antenna
- Very low insertion loss
- Enables feeder sharing
- Designed for co-siting purposes
- Integrated Auto-Sense technology for automatic DC / AISG detection and bypass functionality
- Suitable for indoor or outdoor applications
- Wall or mast mounting
- Built-in lightning protection



[ericsson.com/antenna-system](https://ericsson.com/antenna-system)

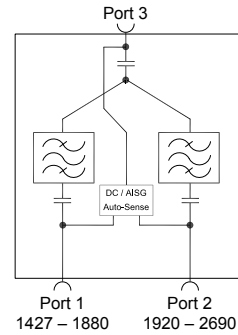


Scan or [click](#)

**Priority table for 78211628V01 with Priority Controlled Function**

|               |                      |
|---------------|----------------------|
| 1427–1880 MHz | Priority 2 (lowest)  |
| 1920–2690 MHz | Priority 1 (highest) |

For more information see Auto-Sense quick guide later in this datasheet.



|  |            |  |
|--|------------|--|
| <b>Product No.</b><br><b>DC/AISG transparency</b><br><b>1. First In - First Out Function</b><br><b>2. Priority Controlled Function</b> |            | <b>78211628</b><br><b>78211628V01</b><br><b>Double Unit</b>  |
| Pass band<br>Band 1<br>Band 2  | MHz<br>MHz | 1427 – 1880<br>1920 – 2690   |
| Insertion loss<br>Port 1 ↔ Port 4<br>Port 2 ↔ Port 4   | dB<br>dB   | < 0.3 (1427 – 1880 MHz) typ. 0.2 dB<br>< 0.35 (1920 – 2690 MHz) typ. 0.2 dB                        |
| Isolation  | dB         | > 40   |
| VSWR   |            | < 1.25   |
| Impedance  | Ω          | 50   |
| Input power<br>Band 1 / Band 2   | W          | < 300  |
| Intermodulation products   | dBc        | < -160 (3 <sup>rd</sup> order; with 2 x 20 W)  |
| Temperature range  | °C   °F    | -40 ... +60   -40 ... +140   |
| Connectors   |            | 4.3-10 female  |
| Application  |            | Indoor or outdoor (IP 66)  |
| Lightning protection   | kA         | 3, 10/350 μs pulse   |
| DC/AISG transparency<br>Port 1, 2 ↔ Port 3   | mA         | Auto-Sense (max. 2000)   |
| Mounting   | mm   in    | Wall mounting: With 4 screws (max. 8   0.315 diameter)<br>Mast mounting: With additional clamp set |
| Weight   | kg   lb    | 6.8   15.0   |
| Dimensions (w x h x d)   | mm   in    | 251 x 211 x 139   9.9 x 8.3 x 5.5<br>(without connectors, without mounting brackets)               |
| Packing size   | mm   in    | 439 x 289 x 230   17.3 x 11.4 x 9.1  |

**Accessories (order separately)**

| Product No. |         | Clamp set suitable for mast diameter of |
|-------------|---------|---|
| 734360      | mm   in | 34–60   1.34–2.36                       |
| 734364      | mm   in | 120–140   4.72–5.51                     |
| 734365      | mm   in | 45–125   1.77–4.92                      |

| Product No. | Description |
|-------------|-------------|
| 78210484    | 50-Ohm load |
| 78211000    | DC stop     |

**Typical Attenuation Curves**

Diagram I

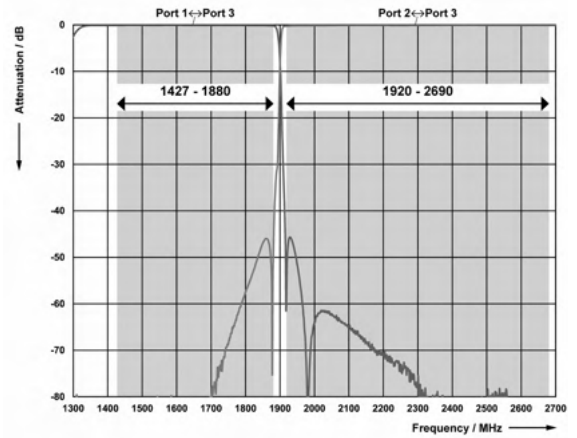
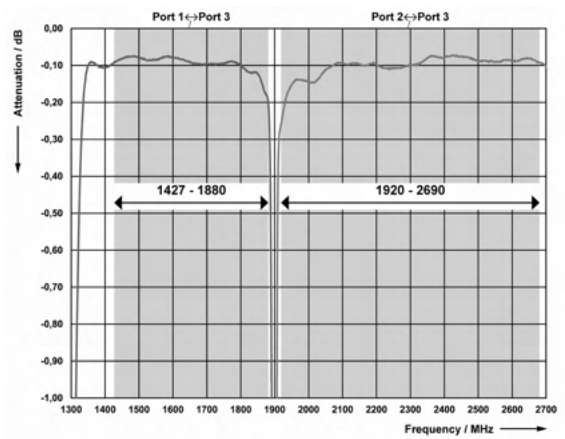
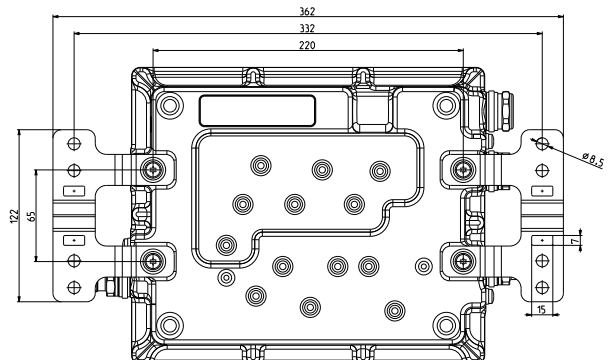
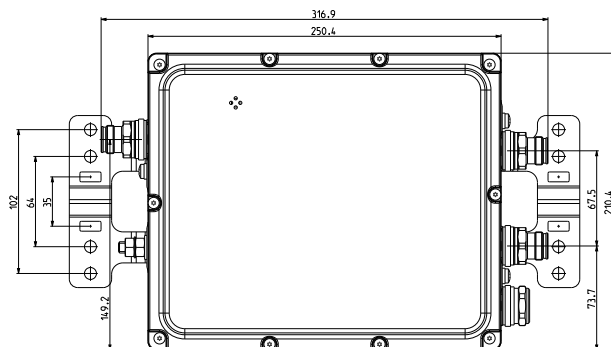
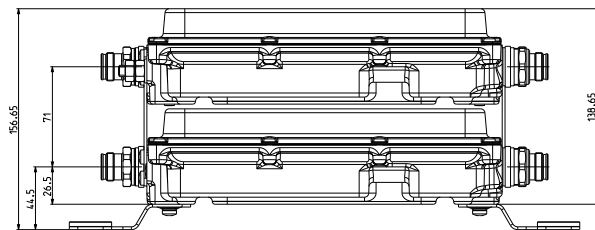


Diagram II



**Dimensions in mm**





Double Unit

# Dual-Band Combiner

KRF 102 386/8

1710–1880 MHz  
1920–2690 MHz

- Easy and fast installation
- Low insertion loss
- Rail mounting is possible
- Wall mounting brackets and pole clamps are included
- Indoor and outdoor proof
- Can be used with both Ericsson and non-Ericsson RBSs



[ericsson.com/antenna-system](https://ericsson.com/antenna-system)



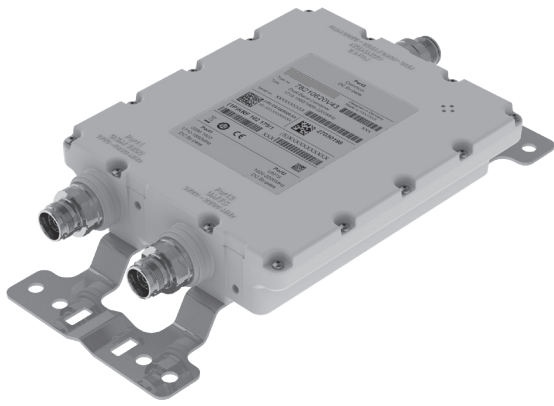
Scan or [click](#)



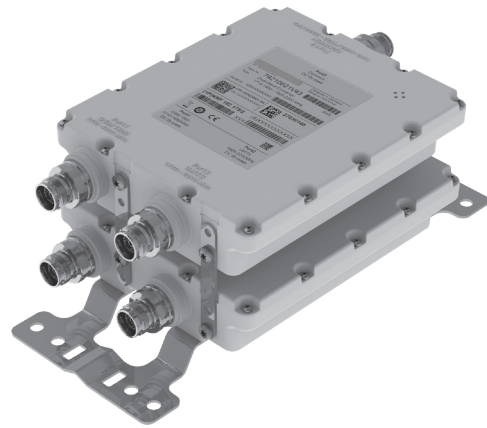
|  |           |  |
|--|-----------|--|
| <b>Product No.</b>   |           | <b>KRF 102 386/8<br/>Double Unit</b>                           |
| <b>Electrical Specifications**</b>                                       |           |  |
| Frequency range<br>- Low port (B3):<br>- High port (B1/B7):              | MHz       | 1710 – 1880<br>1920 – 2690                                     |
| Insertion loss   | dB        | 0.2*   |
| Return loss  | dB        | 22*  |
| Isolation  | dB        | > 50   |
| Intermodulation (IM3) at 2x43 dBm  | dBm       | -118*  |
| Max. power handling<br>- Continuous:<br>- Peak:                          | dBm       | 53<br>61   |
| DC + AISG transparency<br>- Maximum DC voltage:<br>- Maximum DC current: | V DC<br>A | 40<br>3  |
| DC configuration   |           | Bypass on all ports  |
| <b>Mechanical Specifications</b>   |           |  |
| Dimensions (H × W × D)   | mm        | 200 × 200 × 74   |
| Weight   | kg        | 5.1  |
| RF connectors  |           | 4.3–10 (f)   |
| Mounting alternatives  |           | Rail, pole, or wall mounting (Rail bracket ordered separately) |
| <b>Environmental Specifications**</b>                                    |           |  |
| Temperature range, full performance                                      | °C        | -40 to +55   |
| IP class   |           | IP67   |
| Lightning protection   |           | 5 kA 10/350 μs, 20 kA 8/20 μs (Common mode)                    |
| Corrosion resistance   |           | ISO/FDIS 21207 method B (20 years in C4 environment)           |

\* Typical values

\*\* Common values for both variants



Single Unit



Double Unit

# Dual-Band Combiner

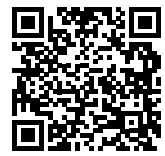
78210620V43, 78210621V43,  
78210622V43, 78210623V43

1710–1880 MHz  
1920–2200 MHz

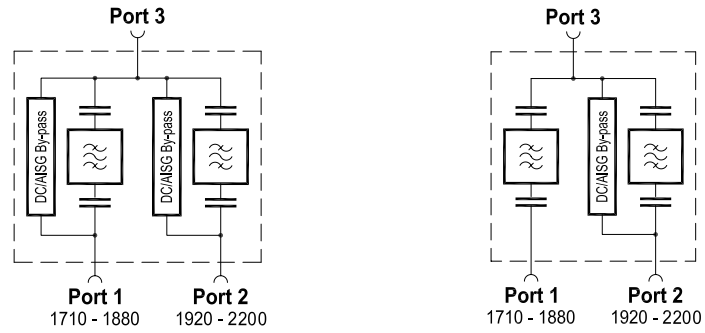
- Can be used as a combiner near the BTS or in a reciprocal function near the antenna
- Very low insertion loss
- Enables feeder sharing
- Designed for co-siting purposes
- Integrated Auto-Sense technology for automatic DC / AISG detection and bypass functionality
- Available as a single unit, or for XPol antennas as double unit
- Suitable for indoor or outdoor applications
- Wall or mast mounting
- Built-in lightning protection



[ericsson.com/antenna-system](https://ericsson.com/antenna-system)



Scan or [click](#)



| Product No.  |                    | 78210620V43<br>Single Unit  | 78210622V43<br>Single Unit  |
|--|--------------------|---|-----------------------------|
|  |                    | 78210621V43<br>Double Unit  | 78210623V43<br>Double Unit  |
| Pass band<br>Band 1 (GSM 1800)<br>Band 2 (UMTS)            | MHz<br>MHz         | 1710 – 1880<br>1920 – 2200  |                             |
| Insertion loss<br>Port 1 ↔ Port 3<br>Port 2 ↔ Port 3       | dB<br>dB           | < 0.3, typically 0.14 (1710 – 1880 MHz)<br>< 0.3, typically 0.12 (1920 – 2200 MHz)  |                             |
| Isolation<br>Port 1 ↔ Port 2                               | dB                 | > 55 (1710 – 1880) / > 50 (1920 – 2200 MHz)   |                             |
| VSWR   |                    | < 1.2 (1710 – 1880) / (1920 – 2200 MHz)   |                             |
| Impedance  | Ω                  | 50  |                             |
| Input power<br>Band 1 / Band 2                             | W                  | < 300 / < 300   |                             |
| Intermodulation products                                   | dBc                | < -160 (3 <sup>rd</sup> order; with 2 x 20 W)   |                             |
| Temperature range  | °C   °F            | -55 ... +60   -67 ... +140  |                             |
| Connectors   |                    | 4.3-10 female   |                             |
| Application  |                    | Indoor or outdoor (IP 66)   |                             |
| DC/AISG transparency<br>Port 1 ↔ Port 3<br>Port 2 ↔ Port 3 | mA<br>mA           | By-pass (max. 2500)<br>By-pass (max. 2500)  | Stop<br>By-pass (max. 2500) |
| Lightning protection                                       | kA                 | 3 kA, 10/350 μs pulse   |                             |
| Mounting   |                    | Wall mounting: With 4 screws (max. 8 mm diameter) /<br>Mast mounting: With additional clamp set   |                             |
| Weight   | kg   lb<br>kg   lb | Single Unit: 2.2   4.9<br>Double Unit: 4.3   9.5  |                             |
| Dimensions (w x h x d)                                     | mm   in<br>mm   in | Single Unit: 163.5 x 195.3 x 46   6.4 x 7.7 x 1.8<br>(without connectors, without mounting brackets)<br>Double Unit: 163.5 x 195.3 x 102   6.4 x 7.7 x 4.0<br>(without connectors, without mounting brackets) |                             |
| Packing size   | mm   in<br>mm   in | Single Unit: 392 x 272 x 139   15.5 x 10.7 x 5.5<br>Double Unit: 392 x 272 x 189   15.5 x 10.7 x 7.4  |                             |

Accessories (order separately)

| Product No. |         | Clamp set suitable for mast diameter of |
|-------------|---------|---|
| 734360      | mm   in | 34–60   1.34–2.36                       |
| 734364      | mm   in | 120–140   4.72–5.51                     |
| 734365      | mm   in | 45–125   1.77–4.92                      |

| Product No. | Description |
|-------------|-------------|
| 78210484    | 50-Ohm load |
| 78211000    | DC stop     |

Typical Attenuation Curves

Diagram I

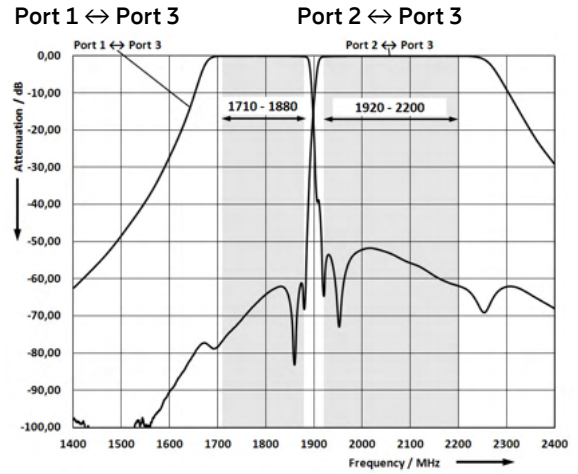
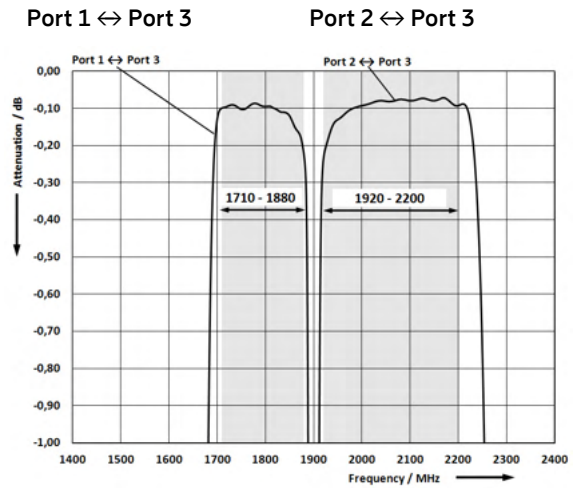
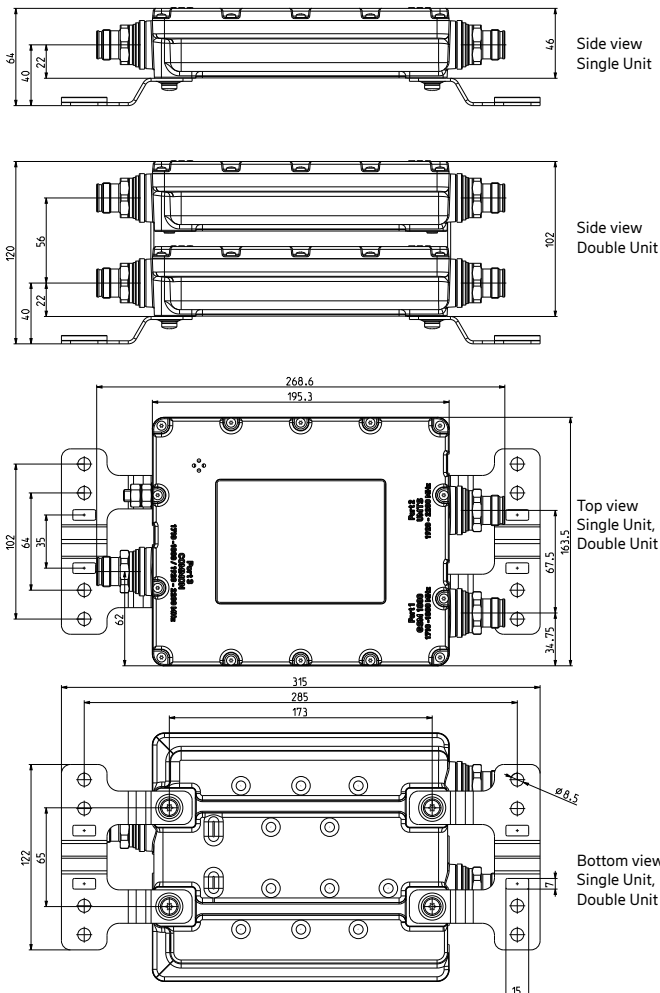
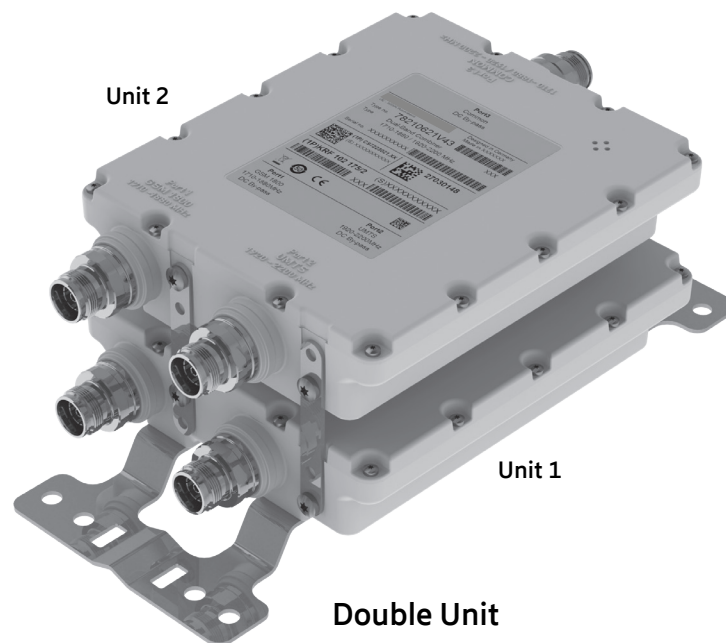


Diagram II



Dimensions in mm





# Dual-Band Combiner

78210626V43

1710–1880 MHz

1920–2200 MHz

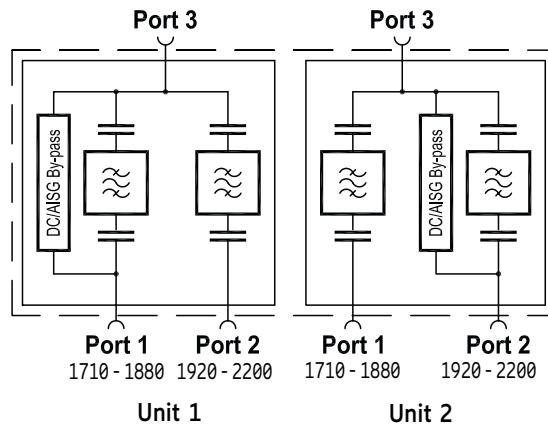
- Designed to support separate DC/AISG supply for a low-band and high-band DTMA via 2 feeder cables (see application)
- Enables feeder sharing
- Can be used as a combiner near the BTS or in a reciprocal function near the antenna
- Suitable for indoor or outdoor applications
- Wall or mast mounting
- Double unit for XPol antennas
- Built-in lightning protection



[ericsson.com/antenna-system](https://ericsson.com/antenna-system)



Scan or [click](#)



|  |            |   |                                       |
|--|------------|---|---------------------------------------|
| <b>Product No.</b>   |            | <b>78210626V43</b><br><b>Double Unit</b>  |                                       |
| Pass band<br>Band 1 (GSM 1800)<br>Band 2 (UMTS)            | MHz<br>MHz | 1710 – 1880<br>1920 – 2200  |                                       |
| Insertion loss<br>Port 1 ↔ Port 3<br>Port 2 ↔ Port 3       | dB<br>dB   | < 0.3 (1710 – 1880 MHz)<br>< 0.3 (1920 – 2200 MHz)  |                                       |
| Isolation<br>Port 1 ↔ Port 2                               | dB         | > 55 (1710 – 1880 MHz) / > 50 (1920 – 2200 MHz)   |                                       |
| VSWR   |            | < 1.2 (1710 – 1880) / (1920 – 2200 MHz)   |                                       |
| Impedance  | Ω          | 50  |                                       |
| Input power<br>Band 1 / Band 2                             | W          | < 300 / < 300   |                                       |
| Intermodulation products                                   | dBc        | < -160 (3 <sup>rd</sup> order; with 2 x 20 W)   |                                       |
| Temperature range  | °C         | -55 ... +60   -67 ... +140  |                                       |
| Connectors   |            | 4.3-10 female   |                                       |
| Application  |            | Indoor or outdoor (IP 66)   |                                       |
| DC/AISG transparency<br>Port 1 ↔ Port 3<br>Port 2 ↔ Port 3 | mA<br>mA   | Unit 1<br>By-pass (max. 2500)<br>Stop   | Unit 2<br>Stop<br>By-pass (max. 2500) |
| Lightning protection                                       |            | 3 kA, 10/350 μs pulse   |                                       |
| Mounting   |            | Wall mounting: With 4 screws (max. 8 mm diameter) /<br>Mast mounting: With additional clamp set |                                       |
| Weight   | kg   lb    | 4.3   9.5   |                                       |
| Dimensions (w x h x d)                                     | mm   in    | 164 x 195 x 102   6.4 x 7.7 x 4.0<br>(without connectors, without mounting brackets)            |                                       |
| Packing size   | mm   in    | 392 x 272 x 189   15.4 x 10.7 x 7.4   |                                       |

**Accessories (order separately)**

| Product No. |         | Clamp set suitable for<br>most diameter of |
|-------------|---------|--|
| 734360      | mm   in | 34–60   1.34–2.36                          |
| 734364      | mm   in | 120–140   4.72–5.51                        |
| 734365      | mm   in | 45–125   1.77–4.92                         |

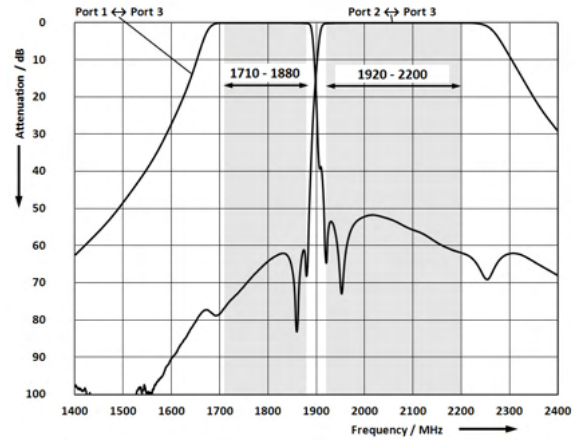
| Product No. | Description |
|-------------|-------------|
| 78210484    | 50-Ohm load |
| 78211000    | DC stop     |

**Typical Attenuation Curves**

**Diagram I**

Port 1 ↔ Port 3

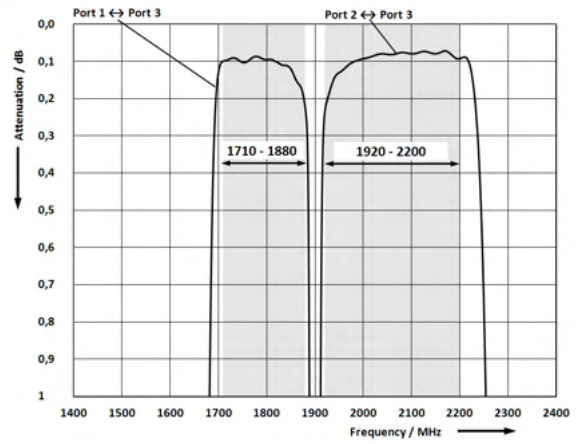
Port 2 ↔ Port 3



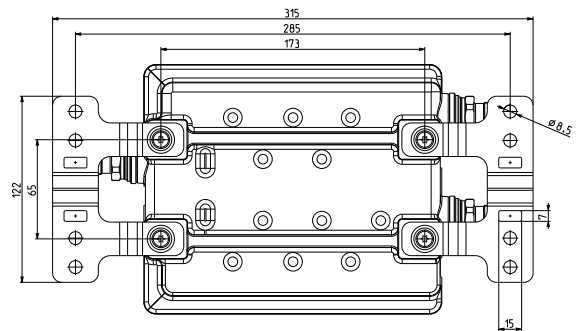
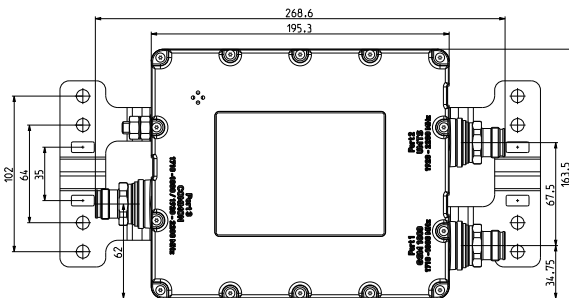
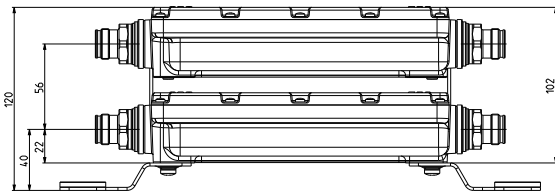
**Diagram II**

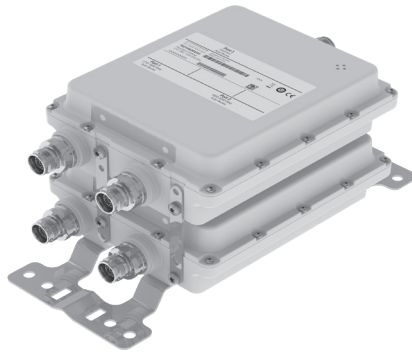
Port 1 ↔ Port 3

Port 2 ↔ Port 3



**Dimensions in mm**



AUTO-  
SENSE

Double Unit

# Dual-Band Combiner

78210628V43, 78210628V44

1710–1880 MHz  
1920–2200 MHz

- Can be used as a combiner near the BTS or in a reciprocal function near the antenna
- Very low insertion loss
- Enables feeder sharing
- Designed for co-siting purposes
- Integrated Auto-Sense technology for automatic DC / AISG detection and bypass functionality
- Suitable for indoor or outdoor applications
- Wall or mast mounting
- Built-in lightning protection



[ericsson.com/antenna-system](https://ericsson.com/antenna-system)



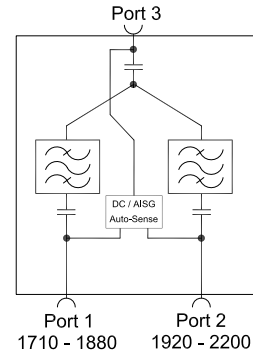
Scan or [click](#)



**Priority table for 78210628V44 with Priority Controlled Function**

|               |                      |
|---------------|----------------------|
| 1710-1880 MHz | Priority 2 (lowest)  |
| 1920-2200 MHz | Priority 1 (highest) |

For more information see Auto-Sense quick guide later in this datasheet.



|   |            |  |
|---|------------|--|
| <b>Product No.</b><br>DC/AISG transparency<br>1. First In - First Out Function<br>2. Priority Controlled Function |            | <b>78210628V43</b><br><b>78210628V44</b><br><b>Double Unit</b>                                     |
| Pass band<br>Band 1<br>Band 2   | MHz<br>MHz | 1710 – 1880<br>1920 – 2200   |
| Insertion loss<br>Port 1 ↔ Port 3<br>Port 2 ↔ Port 3  | dB<br>dB   | < 0.3 (1710 – 1880 MHz)<br>< 0.3 (1920 – 2200 MHz)   |
| Isolation<br>Port 1 ↔ Port 2  | dB         | > 55 (1710 – 1880 MHz) / > 50 (1920 – 2200 MHz)  |
| VSWR  |            | < 1.2  |
| Impedance   | Ω          | 50   |
| Input power<br>Band 1 / Band 2  | W          | < 300 / < 300  |
| Intermodulation products  | dBc        | < -160 (3 <sup>rd</sup> order; with 2 x 20 W)  |
| Temperature range   | °C   °F    | -55 ... +60   -67 ... +140   |
| Connectors  |            | 4.3-10 female  |
| Application   |            | Indoor or outdoor (IP 66)  |
| Lightning protection  | kA         | 3, 10/350 μs pulse   |
| Mounting  | mm   in    | Wall mounting: With 4 screws (max. 8   0.315 diameter)<br>Mast mounting: With additional clamp set |
| Grounding   |            | M8 stud  |
| Weight  | kg   lb    | 4.8   10.5   |
| Dimensions (w x h x d)  | mm   in    | 164 x 195 x 129   6.4 x 7.7 x 5.1<br>(without connectors, without mounting brackets)               |
| Packing size  | mm   in    | 392 x 272 x 189   15.4 x 10.7 x 7.4  |

Accessories (order separately)

| Product No. |         | Clamp set suitable for mast diameter of |
|-------------|---------|---|
| 734360      | mm   in | 34–60   1.34–2.36                       |
| 734364      | mm   in | 120–140   4.72–5.51                     |
| 734365      | mm   in | 45–125   1.77–4.92                      |

| Product No. | Description |
|-------------|-------------|
| 78210484    | 50-Ohm load |
| 78211000    | DC stop     |

Typical Attenuation Curves

Diagram I

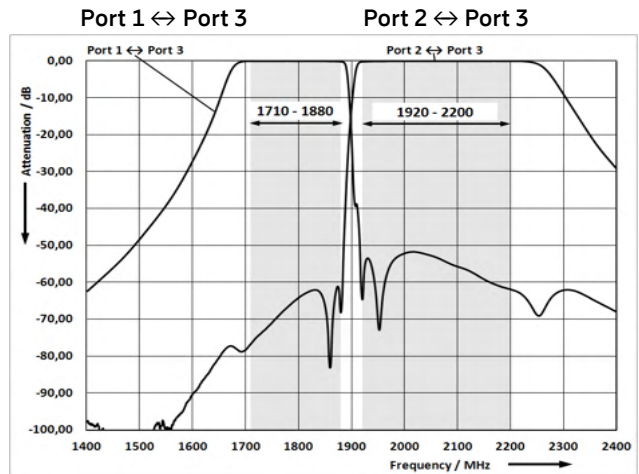
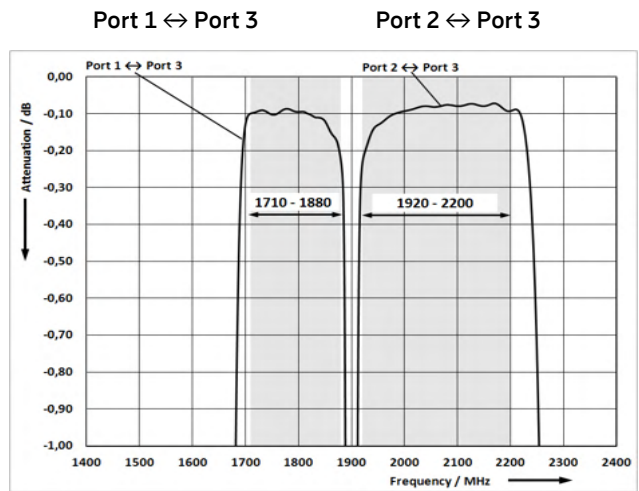
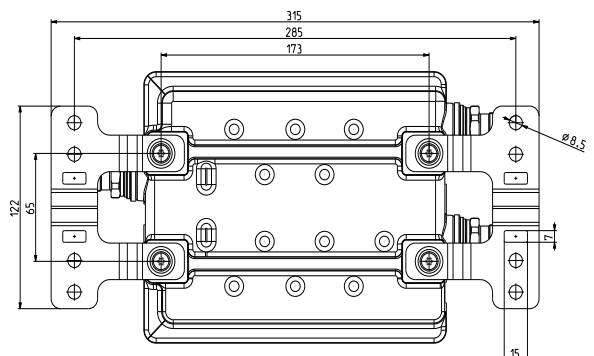
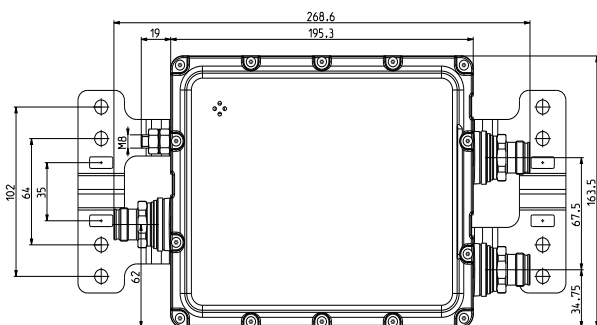
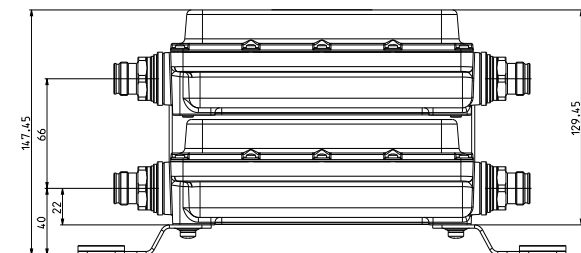
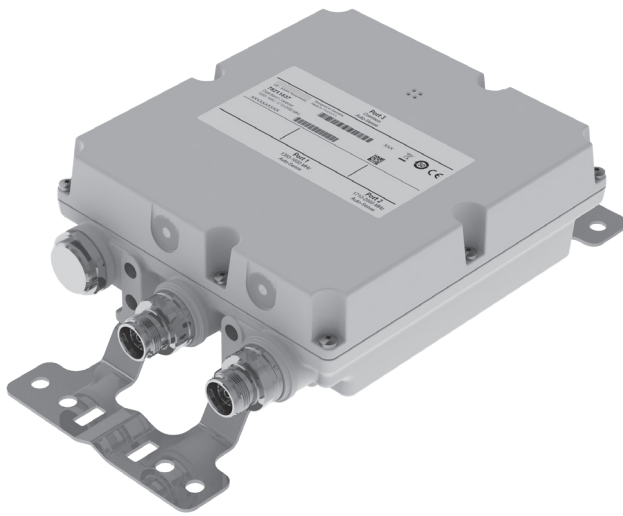


Diagram II

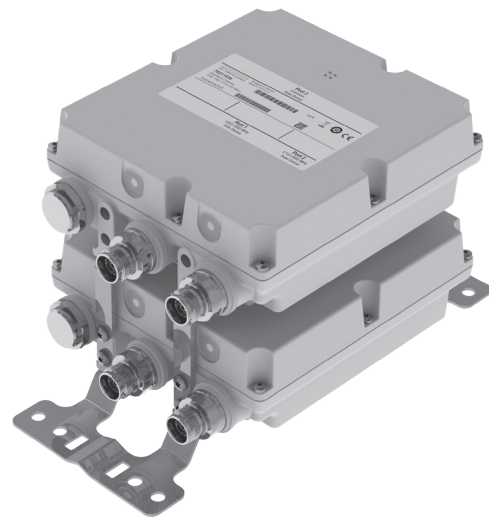


Dimensions in mm





Single Unit



Double Unit

# Dual-Band Combiner

78211530, 78211531,  
78211532, 78211533

1427–1518 MHz  
1710–2690 MHz

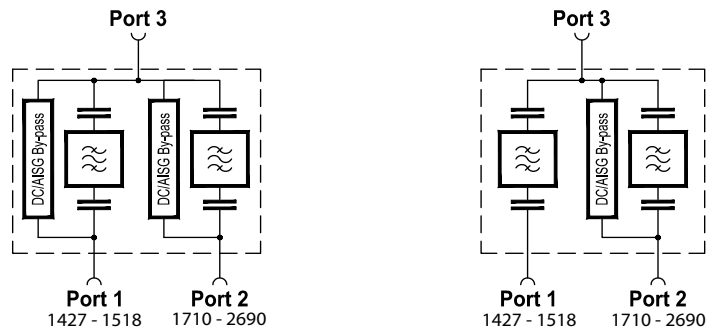
- Can be used as a combiner near the BTS or in a reciprocal function near the antenna
- Very low insertion loss
- Enables feeder sharing
- Designed for co-siting purposes
- Available as a single unit, or for XPol antennas as double unit
- Suitable for indoor and outdoor applications
- Wall or mast mounting
- Built-in lightning protection
- External DC stop available as an accessory



[ericsson.com/antenna-system](https://ericsson.com/antenna-system)



Scan or [click](#)



| Product No.  |            | 78211530<br>Single Unit  | clamps<br>included          | 78211532<br>Single Unit |
|--|------------|--|-----------------------------|-------------------------|
|  |            | 78211531<br>Double Unit  |                             | 78211533<br>Double Unit |
| Pass band<br>Band 1<br>Band 2                              | MHz<br>MHz | 1427 – 1518<br>1710 – 2690   |                             |                         |
| Insertion loss<br>Port 1 ↔ Port 3<br>Port 2 ↔ Port 3       | dB<br>dB   | < 0.2 (1427 – 1518)<br>< 0.3 (1710 – 2690)   |                             |                         |
| Isolation  | dB         | > 40   |                             |                         |
| VSWR   |            | < 1.25   |                             |                         |
| Impedance  | Ω          | 50   |                             |                         |
| Input power<br>Band 1 / Band 2                             | W          | < 200  |                             |                         |
| Intermodulation products                                   | dBc        | < -160 (3 <sup>rd</sup> order; with 2 x 20 W)  |                             |                         |
| Temperature range  | °C   °F    | -40 ... +60   -40 ... +140   |                             |                         |
| Connectors   |            | 4.3-10 female  |                             |                         |
| Application  |            | Indoor or outdoor (IP 66)  |                             |                         |
| DC/AISG transparency<br>Port 1 ↔ Port 3<br>Port 2 ↔ Port 3 | mA<br>mA   | By-pass (max. 2500)<br>By-pass (max. 2500)   | Stop<br>By-pass (max. 2500) |                         |
| Lightning protection                                       | kA         | 3, 10/350 μs pulse   |                             |                         |
| Mounting   |            | Wall mounting: With 4 screws (max. 8   0.315 [mm   in] diameter)<br>Mast mounting: With included clamp set   |                             |                         |
| Weight   | kg   lb    | Single unit : 3.2   7.1<br>Double unit: 6.3   13.9   |                             |                         |
| Dimensions (w x h x d)                                     | mm   in    | Single unit: 190 x 176 x 77   7.5 x 7.0 x 3.0<br>Double unit: 190 x 176 x 161   7.5 x 7.0 x 6.3<br>(without connectors, without mounting brackets) |                             |                         |
| Packing size   | mm   in    | Single unit: 375 x 245 x 160   14.8 x 9.7 x 6.3<br>Double unit: 375 x 245 x 245   14.8 x 9.7 x 9.7   |                             |                         |

**Accessories (included)**

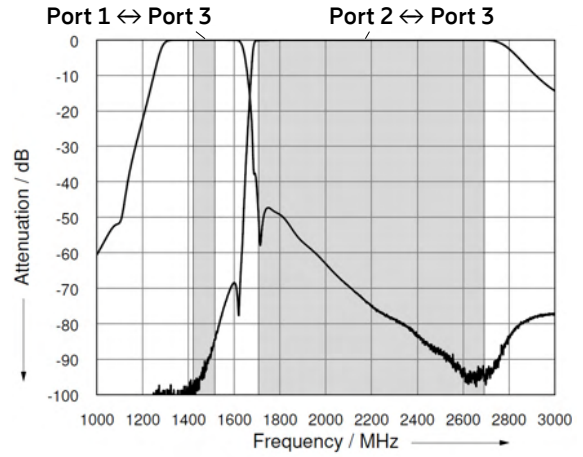
| Product No. |         | Clamp set suitable for<br>most diameter of |
|-------------|---------|--|
| 734365      | mm   in | 45–125   1.77–4.92                         |

**Accessories (order separately)**

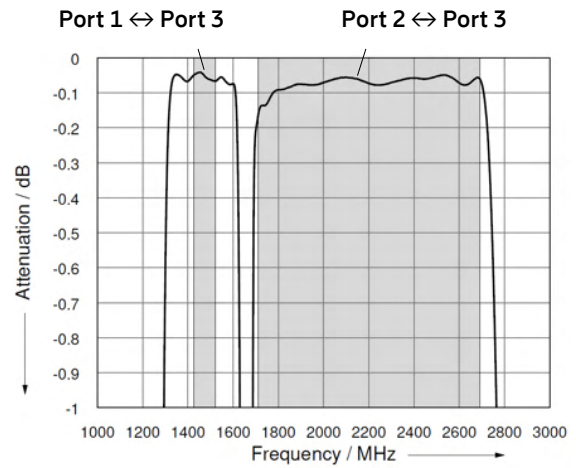
| Product No. |         | Description                   |
|-------------|---------|-------------------------------|
| 78210484    |         | 50-Ohm load                   |
| 78211000    |         | DC stop                       |
| 734360      | mm   in | Clamp set: 34–60   1.34–2.36  |
| 734364      | mm   in | Clam set: 120–140   4.72–5.51 |

**Typical Attenuation Curves**

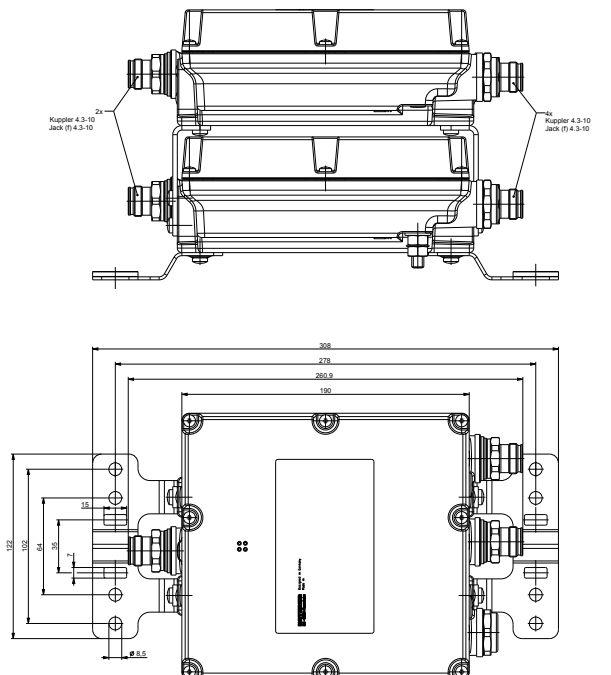
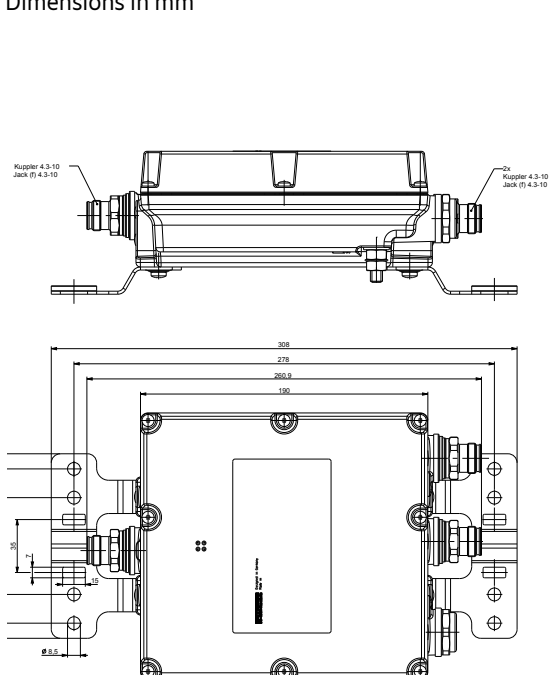
**Diagram I**

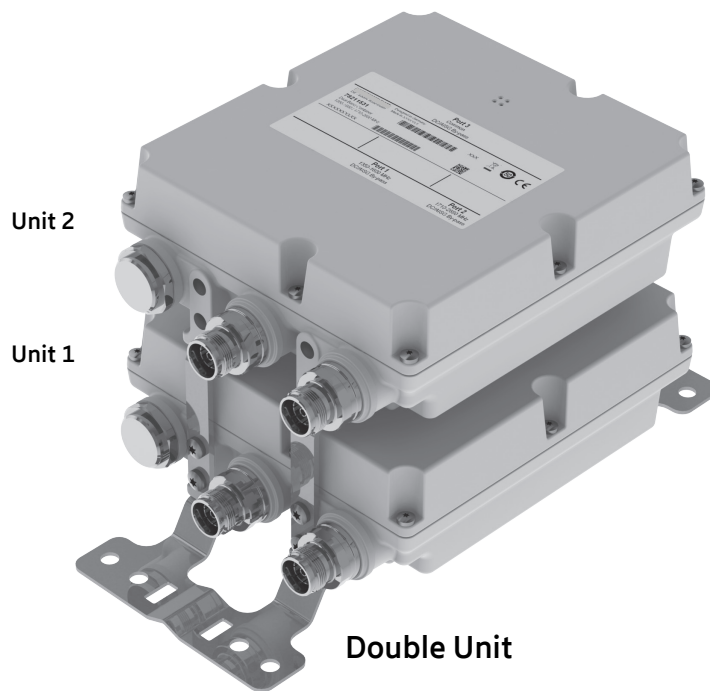


**Diagram II**



**Dimensions in mm**





# Dual-Band Combiner

78211536

1427–1518 MHz  
1710–2690 MHz

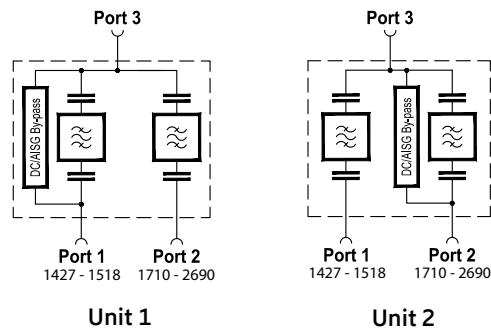
- Can be used as a combiner near the BTS or in a reciprocal function near the antenna
- Very low insertion loss
- Enables feeder sharing
- Designed for co-siting purposes
- Suitable for indoor and outdoor applications
- Wall or mast mounting
- Built-in lightning protection
- External DC stop available as an accessory



[ericsson.com/antenna-system](https://ericsson.com/antenna-system)



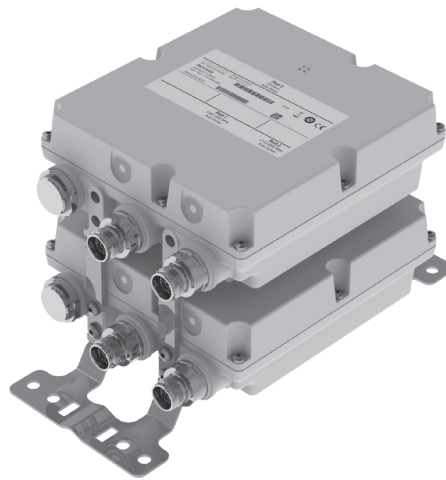
Scan or [click](#)



| Product No.              |         | 78211536<br>Double Unit  |                     | clamps<br>included |
|--------------------------|---------|--|---------------------|--------------------|
| Pass band                |         |  |                     |                    |
| Band 1                   | MHz     | 1427 – 1518  |                     |                    |
| Band 2                   | MHz     | 1710 – 2690  |                     |                    |
| Insertion loss           |         |  |                     |                    |
| Port 1 ↔ Port 3          | dB      | < 0.2 (1427 – 1518 MHz)  |                     |                    |
| Port 2 ↔ Port 3          | dB      | < 0.3 (1710 – 2690 MHz)  |                     |                    |
| Isolation                | dB      | > 40   |                     |                    |
| VSWR                     |         | < 1.25   |                     |                    |
| Impedance                | Ω       | 50   |                     |                    |
| Input power              |         |  |                     |                    |
| Band 1 / Band 2          | W       | < 200  |                     |                    |
| Intermodulation products | dBc     | < -160 (3 <sup>rd</sup> order; with 2 x 20 W)  |                     |                    |
| Temperature range        | °C   °F | -40 ... +60   -40 ... +140   |                     |                    |
| Connectors               |         | 4.3-10 female  |                     |                    |
| Application              |         | Indoor or outdoor (IP 66)  |                     |                    |
| DC/AISG transparency     |         |  |                     |                    |
| Port 1 ↔ Port 3          | mA      | Unit 1   | Unit 2              |                    |
| Port 2 ↔ Port 3          | mA      | By-pass (max. 2500)  | Stop                |                    |
|                          |         | Stop   | By-pass (max. 2500) |                    |
| Lightning protection     | kA      | 3, 10/350 μs pulse   |                     |                    |
| Mounting                 | mm   in | Wall mounting: With 4 screws (max. 8   0.315 diameter) /<br>Mast mounting: With included clamp set |                     |                    |
| Weight                   | kg   lb | 6.3   13.9   |                     |                    |
| Dimensions (w x h x d)   | mm   in | 190 x 176 x 161   7.5 x 6.9 x 6.3<br>(without connectors, without mounting brackets)               |                     |                    |
| Packing size             | mm   in | 375 x 245 x 245   14.8 x 9.7 x 9.7   |                     |                    |





AUTO-  
SENSE

Double Unit

# Dual-Band Combiner

78211538, 78211538V01

1427–1518 MHz  
1710–2690 MHz

- Can be used as a combiner near the BTS or in a reciprocal function near the antenna
- Very low insertion loss
- Enables feeder sharing
- Designed for co-siting purposes
- Integrated Auto-Sense technology for automatic DC / AISG detection and bypass functionality
- Suitable for indoor and outdoor applications
- Wall or mast mounting
- Built-in lightning protection



[ericsson.com/antenna-system](https://ericsson.com/antenna-system)

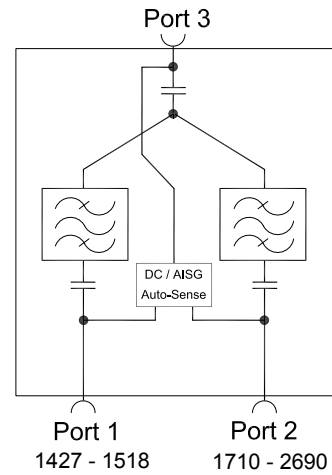


Scan or [click](#)

## Priority table for 78211538V01 with Priority Controlled Function

|               |                      |
|---------------|----------------------|
| 1427–1518 MHz | Priority 2 (lowest)  |
| 1710–2690 MHz | Priority 1 (highest) |

For more information see Auto-Sense quick guide later in this datasheet.



| Product No.<br>DC/AISG transparency<br>1. First In - First Out Function<br>2. Priority Controlled Function |         | 78211538<br>78211538V01<br>Double Unit   | clamps<br>included |
|--|---------|--|--------------------|
| Pass band<br>Band 1  | MHz     | 1427 – 1518  |                    |
| Band 2   | MHz     | 1710 – 2690  |                    |
| Insertion loss<br>Port 1 ↔ Port 3  | dB      | < 0.2 (1427 – 1518)  |                    |
| Port 2 ↔ Port 3  | dB      | < 0.3 (1710 – 2690)  |                    |
| Isolation  | dB      | > 40   |                    |
| VSWR   |         | < 1.25   |                    |
| Impedance  | Ω       | 50   |                    |
| Input power<br>Band 1 / Band 2   | W       | < 200  |                    |
| Intermodulation products   | dBc     | < -160 (3 <sup>rd</sup> order; with 2 x 20 W)  |                    |
| Temperature range  | °C   °F | -40 ... +60   -40 ... +140   |                    |
| Connectors   |         | 4.3-10 female  |                    |
| Application  |         | Indoor or outdoor (IP 66)  |                    |
| Lightning protection   | kA      | 3, 10/350 μs pulse   |                    |
| Mounting   | mm   in | Wall mounting: With 4 screws (max. 8   0.315 [mm   in] diameter)<br>Mast mounting: With included clamp set |                    |
| Weight   | kg   lb | 6.3   13.9   |                    |
| Dimensions (w x h x d)   | mm   in | 190 x 176 x 161   7.5 x 7.0 x 6.3<br>(without connectors, without mounting brackets)                       |                    |
| Packing size   | mm   in | 375 x 245 x 245   14.8 x 9.7 x 9.7   |                    |

**Accessories (included)**

| Product No. |         | Clamp set suitable for mast diameter of |
|-------------|---------|---|
| 734365      | mm   in | 45–125   1.77–4.92                      |

**Accessories (order separately)**

| Product No. |         | Description                    |
|-------------|---------|--------------------------------|
| 78210484    |         | 50-Ohm load                    |
| 78211000    |         | DC stop                        |
| 734360      | mm   in | Clamp set: 34–60   1.34–2.36   |
| 734364      | mm   in | Clamp set: 120–140   4.72–5.51 |

**Typical Attenuation Curves**

Diagram I

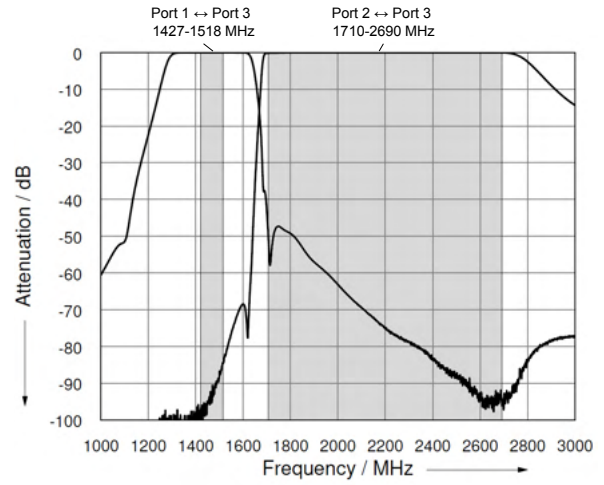
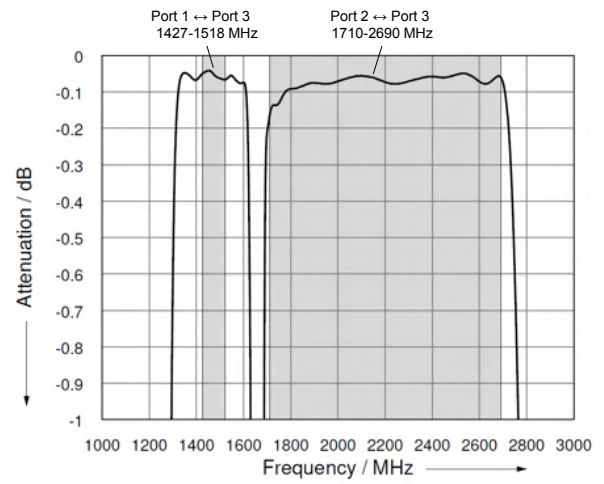
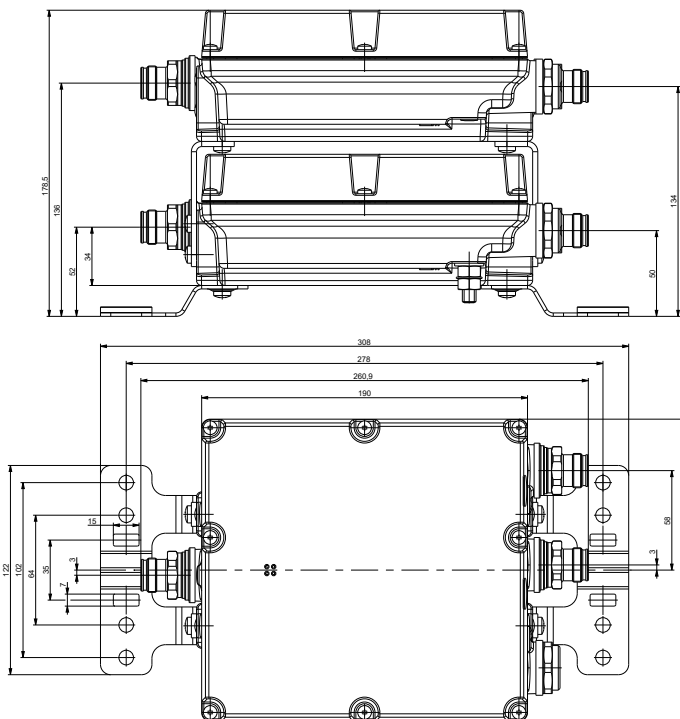


Diagram II



**Dimensions in mm**





Double Unit

# Dual-Band Combiner

KRF 102 419/1

1427–1518 MHz

1710–2690 MHz

- Part of Ericsson Radio System product family
- Verified with Ericsson RBSs
- Can be used with both Ericsson and non-Ericsson RBSs
- Very low insertion loss
- Excellent isolation performance
- Wall mounting brackets and pole clamps are included
- Rail mounting is possible
- Indoor and outdoor proof
- 4.3–10 connectors



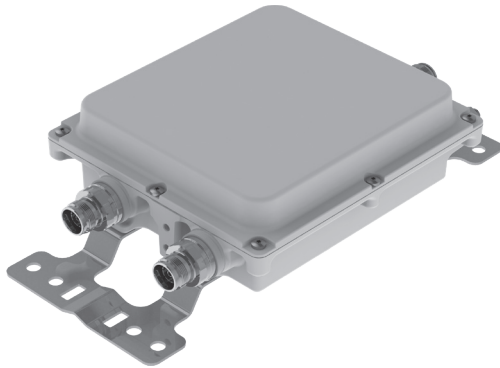
[ericsson.com/antenna-system](https://ericsson.com/antenna-system)



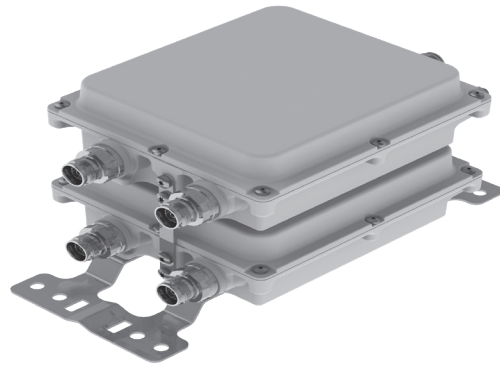
Scan or [click](#)

|  |     |   |
|--|-----|---|
| <b>Product No.</b>                             |     | <b>KRF 102 419/1<br/>Double Unit</b>  |
| <b>Electrical Specifications</b>               |     |   |
| Frequency range<br>- Low port:<br>- High port: | MHz | 1427 - 1518<br>1710 - 2690  |
| Insertion loss                                 | dB  | 0.1*  |
| Return loss                                    | dB  | 23*   |
| Isolation                                      | dB  | > 50  |
| Intermodulation (IM3) at 2x43 dBm              | dBm | -116*   |
| Power handling (continuous)                    | W   | 100 per port (200 W at COM Port)  |
| DC configuration                               |     | Bypass  |
| <b>Mechanical Specifications</b>               |     |   |
| Dimensions (H x W x D)                         | mm  | 190 x 150 x 82  |
| Weight   | kg  | 4   |
| Volume   | L   | 2.4   |
| RF connectors                                  |     | 4.3-10 (f)  |
| Mounting options                               |     | Rail, pole, or wall mounting (Rail bracket ordered separately)                            |
| <b>Environmental Specifications</b>            |     |   |
| Temperature range, full performance            | °C  | -40 to +55  |
| IP class                                       |     | IP67  |
| Lightning protection                           |     | 5 kA 10/350 µs  |
| Product safety                                 |     | International (CB): IEC 60 950-1, IEC 60 950-22<br>Europe (CE): EN 60 950-1, EN 60 950-22 |

\* Typical values



Single Unit



Double Unit

# Dual-Band Combiner

78211790, 78211791, 78211792

78211793, 78211794, 78211795

1427–2200 MHz

2300–2690 MHz

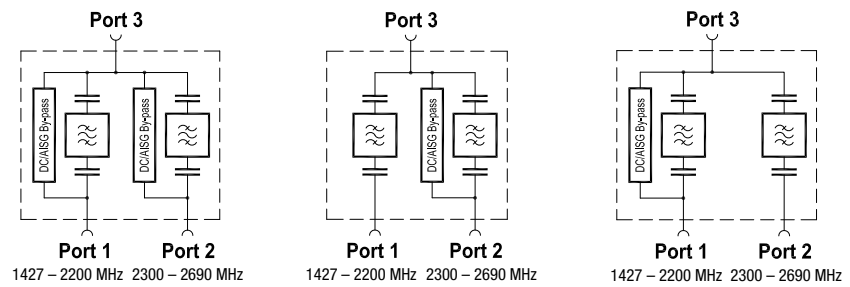
- Can be used as a combiner near the BTS or in a reciprocal function near the antenna
- Very low insertion loss
- Enables feeder sharing
- Designed for co-siting purposes
- Integrated Auto-Sense technology for automatic DC / AISG detection and bypass functionality
- Available as a single unit, or for XPol antennas as double unit
- Suitable for indoor or outdoor applications
- Wall or mast mounting
- Built-in lightning protection



[ericsson.com/antenna-system](https://ericsson.com/antenna-system)



Scan or [click](#)



| Product No.  |            | 78211790<br>Single Unit  | 78211792<br>Single Unit     | 78211794<br>Single Unit     |
|--|------------|--|-----------------------------|-----------------------------|
|  |            | 78211791<br>Double Unit  | 78211793<br>Double Unit     | 78211795<br>Double Unit     |
| Pass band<br>Band 1<br>Band 2                              | MHz<br>MHz | 1427 – 2200<br>2300 – 2690   |                             |                             |
| Insertion loss<br>Port 1 ↔ Port 3<br>Port 2 ↔ Port 3       | dB<br>dB   | < 0.2 (1427 – 2200 MHz)<br>< 0.2 (2300 – 2690 MHz)   |                             |                             |
| Isolation  | dB         | > 50   |                             |                             |
| VSWR   |            | < 1.25   |                             |                             |
| Impedance  | Ω          | 50   |                             |                             |
| Input power<br>Band 1 / Band 2                             | W          | < 300  |                             |                             |
| Intermodulation products                                   | dBc        | < -160 (3 <sup>rd</sup> order; with 2 x 20 W)  |                             |                             |
| Temperature range  | °C   °F    | -55 ... +60   -67 ... +140   |                             |                             |
| Connectors   |            | 4.3-10 female  |                             |                             |
| Application  |            | Indoor or outdoor (IP 66)  |                             |                             |
| DC/AISG transparency<br>Port 1 ↔ Port 3<br>Port 2 ↔ Port 3 | mA<br>mA   | By-pass (max. 2500)<br>By-pass (max. 2500)   | Stop<br>By-pass (max. 2500) | By-pass (max. 2500)<br>Stop |
| Lightning protection                                       | kA         | 3, 10/350 μs pulse   |                             |                             |
| Mounting   | mm   in    | Wall mounting: With 4 screws (max. 8   0.315 diameter) / Mast mounting: With clamp set   |                             |                             |
| Weight   | kg   lb    | Single Unit: 2.5   5.5 / Double Unit: 4.6   10.1   |                             |                             |
| Dimensions (w x h x d)                                     | mm   in    | Single Unit: 192 x 172 x 68   7.6 x 6.8 x 2.7<br>Double Unit: 192 x 172 x 139   7.6 x 6.8 x 5.5<br>(without connectors, without mounting brackets) |                             |                             |
| Packing size   | mm   in    | Single Unit: 392 x 272 x 155   15.4 x 10.7 x 6.1<br>Double Unit: 392 x 272 x 220   15.4 x 10.7 x 8.7   |                             |                             |

**Accessories (order separately)**

| Product No. |         | Clamp set suitable for<br>mast diameter of |
|-------------|---------|--|
| 734360      | mm   in | 34–60   1.34–2.36                          |
| 734364      | mm   in | 120–140   4.72–5.51                        |
| 734365      | mm   in | 45–125   1.77–4.92                         |

| Product No. | Description |
|-------------|-------------|
| 78210484    | 50-Ohm load |
| 78211000    | DC stop     |

**Typical Attenuation Curves**

Diagram I

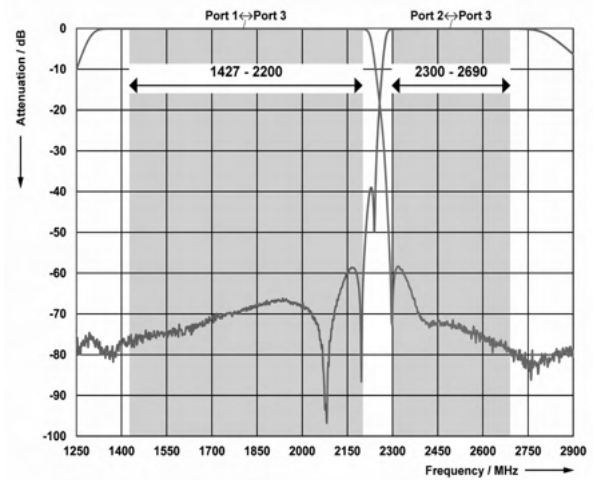
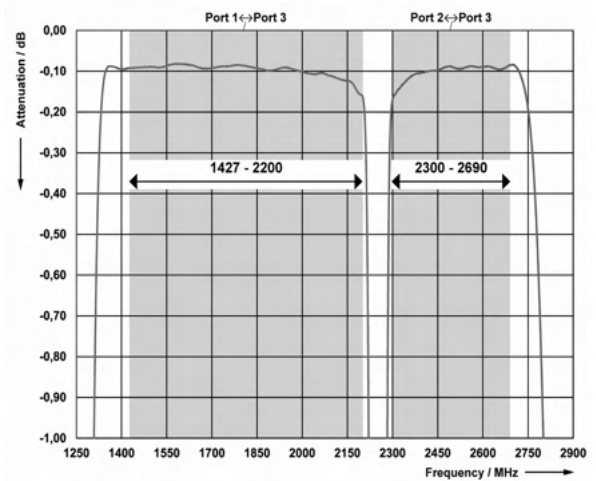
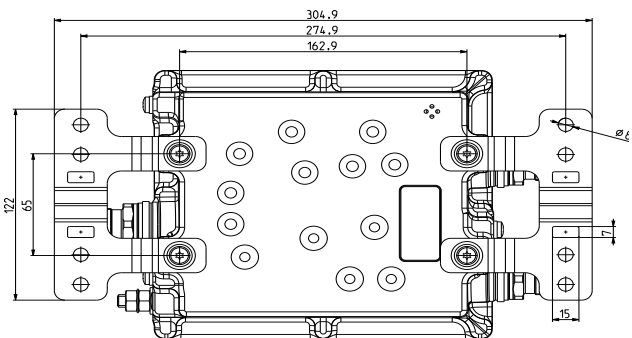
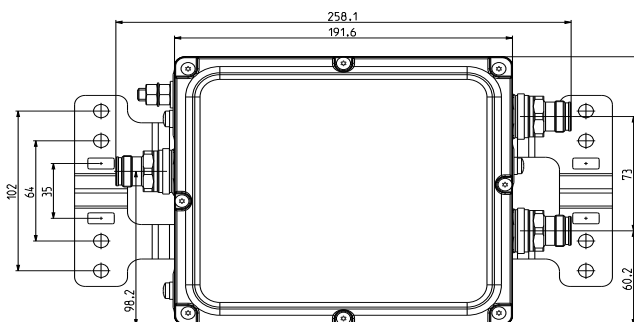
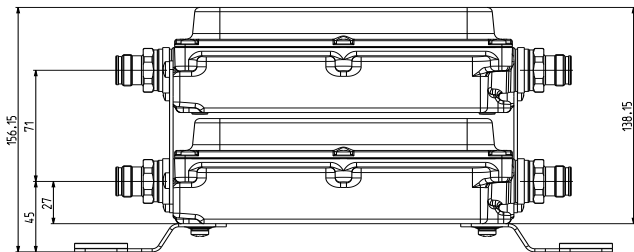
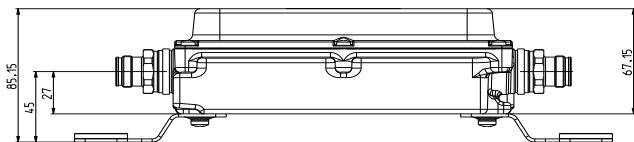


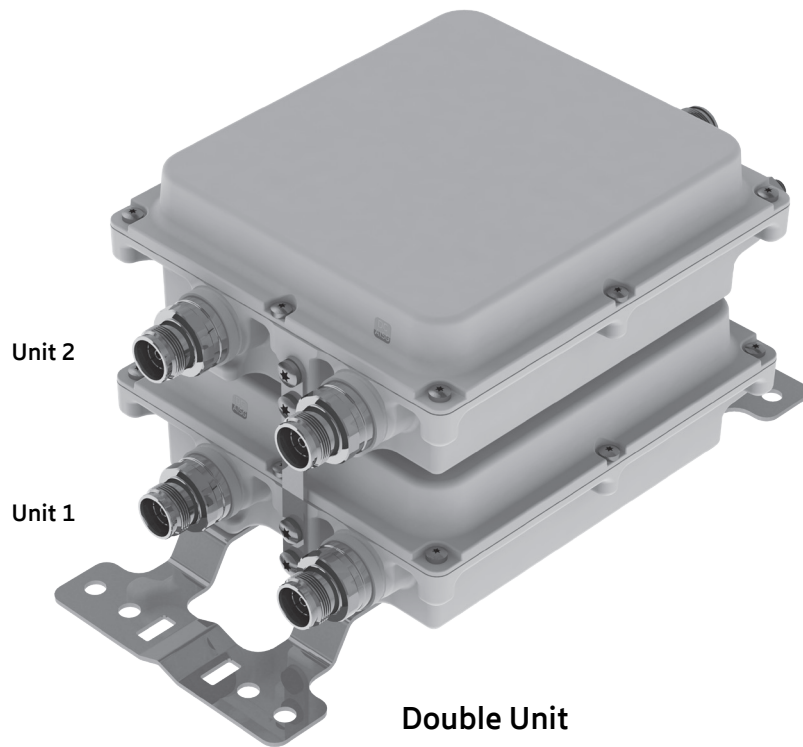
Diagram II



**Dimensions in mm**







# Dual-Band Combiner

78211796

1427–2200 MHz  
2300–2690 MHz

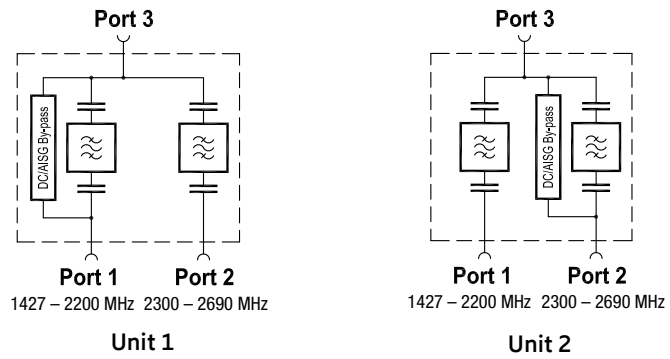
- Can be used as a combiner near the BTS or in a reciprocal function near the antenna
- Very low insertion loss
- Enables feeder sharing
- Designed for co-siting purposes
- Suitable for indoor and outdoor applications
- Wall or mast mounting
- Built-in lightning protection
- External DC stop available as an accessory



[ericsson.com/antenna-system](https://ericsson.com/antenna-system)



Scan or [click](#)



|   |         |  |                     |
|---|---------|--|---------------------|
| <b>Product No.</b>                      |         | <b>78211796<br/>Double Unit</b>  |                     |
| Pass band<br>Band 1                     | MHz     | 1427 – 2200  |                     |
| Band 2                                  | MHz     | 2300 – 2690  |                     |
| Insertion loss<br>Port 1 ↔ Port 3       | dB      | < 0.2 (1427 – 2200 MHz)  |                     |
| Port 2 ↔ Port 3                         | dB      | < 0.2 (2300 – 2690 MHz)  |                     |
| Isolation                               | dB      | > 50   |                     |
| VSWR                                    |         | < 1.25   |                     |
| Impedance                               | Ω       | 50   |                     |
| Input power<br>Band 1 / Band 2          | W       | < 300  |                     |
| Intermodulation products                | dBc     | < -160 (3 <sup>rd</sup> order; with 2 x 20 W)  |                     |
| Temperature range                       | °C   °F | -55 ... +60   -67 ... +140   |                     |
| Connectors                              |         | 4.3-10 female  |                     |
| Application                             |         | Indoor or outdoor (IP 66)  |                     |
| DC/AISG transparency<br>Port 1 ↔ Port 3 | mA      | Unit 1<br>By-pass (max. 2500)  | Unit 2<br>Stop      |
| Port 2 ↔ Port 3                         | mA      | Stop   | By-pass (max. 2500) |
| Lightning protection                    | kA      | 3, 10/350 μs pulse   |                     |
| Mounting                                | mm   in | Wall mounting: With 4 screws (max. 8   0.315 diameter) / Mast mounting: With clamp set |                     |
| Weight                                  | kg   lb | 4.6   10.1   |                     |
| Dimensions (w x h x d)                  | mm   in | 192 x 172 x 139   7.6 x 6.8 x 5.5<br>(without connectors, without mounting brackets)   |                     |
| Packing size                            | mm   in | 392 x 272 x 220   15.4 x 10.7 x 8.7  |                     |

Accessories (order separately)

| Product No. |         | Clamp set suitable for<br>most diameter of |
|-------------|---------|--|
| 734360      | mm   in | 34–60   1.34–2.36                          |
| 734364      | mm   in | 120–140   4.72–5.51                        |
| 734365      | mm   in | 45–125   1.77–4.92                         |

| Product No. | Description |
|-------------|-------------|
| 78210484    | 50-Ohm load |
| 78211000    | DC stop     |

Typical Attenuation Curves

Diagram I

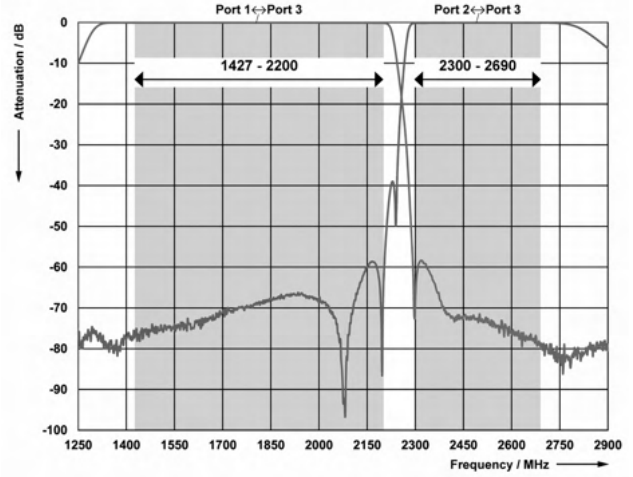
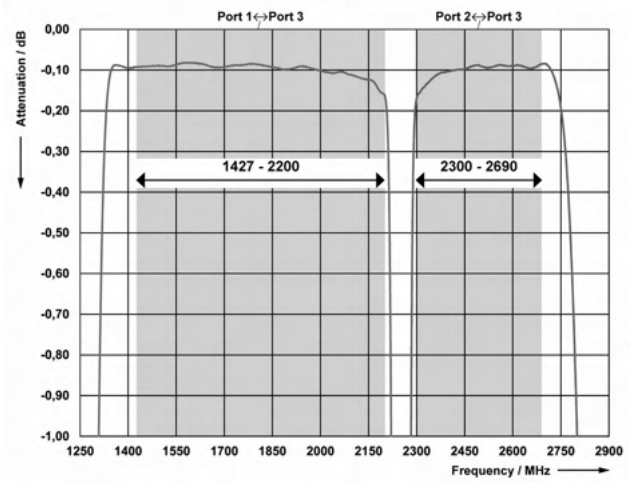
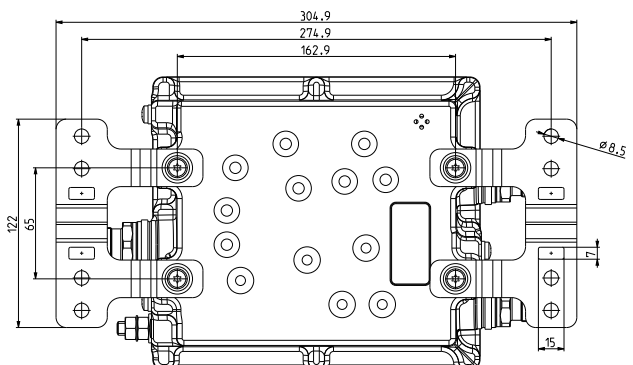
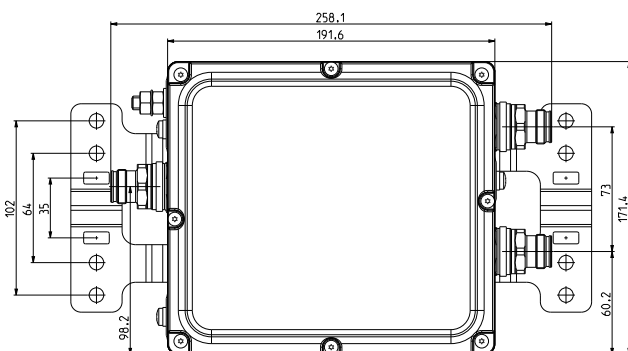
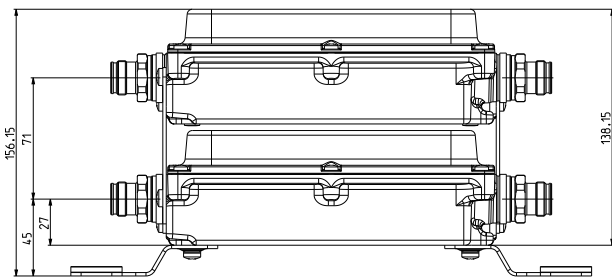
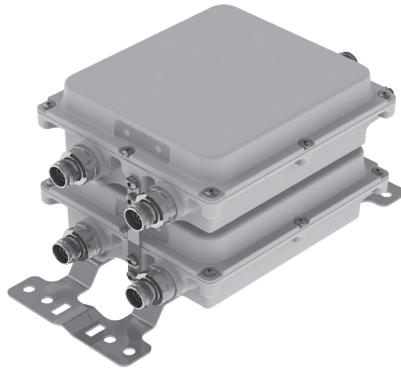


Diagram II



Dimensions in mm



AUTO-  
SENSE

Double Unit

# Dual-Band Combiner

78211798, 78211798V01

1427–2200 MHz  
2300–2690 MHz

- Can be used as a combiner near the BTS or in a reciprocal function near the antenna
- Very low insertion loss
- Enables feeder sharing
- Designed for co-siting purposes
- Integrated Auto-Sense technology for automatic DC / AISG detection and bypass functionality
- Suitable for indoor or outdoor applications
- Wall or mast mounting
- Built-in lightning protection



[ericsson.com/antenna-system](https://ericsson.com/antenna-system)

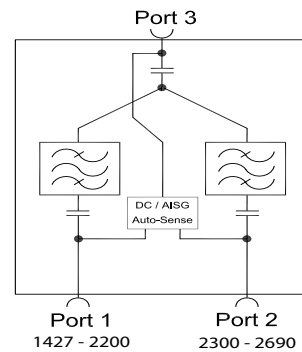


Scan or [click](#)

## Priority table for 78211798V01 with Priority Controlled Function

|               |                      |
|---------------|----------------------|
| 1427–2200 MHz | Priority 2 (lowest)  |
| 2300–2690 MHz | Priority 1 (highest) |

For more information see Auto-Sense quick guide later in this datasheet.



|  |            |  |
|--|------------|--|
| Product No.<br>DC/AISG transparency<br>1. First In - First Out Function<br>2. Priority Controlled Function |            | 78211798<br>78211798V01<br>Double Unit   |
| Pass band<br>Band 1<br>Band 2  | MHz<br>MHz | 1427 – 2200<br>2300 – 2690   |
| Insertion loss<br>Port 1 ↔ Port 3<br>Port 2 ↔ Port 3   | dB<br>dB   | < 0.2 (1427 – 2200 MHz)<br>< 0.2 (2300 – 2690 MHz)   |
| Isolation  | dB         | > 50   |
| VSWR   |            | < 1.25   |
| Impedance  | Ω          | 50   |
| Input power<br>Band 1 / Band 2   | W          | < 300  |
| Intermodulation products   | dBc        | < -160 (3 <sup>rd</sup> order; with 2 x 20 W)  |
| Temperature range  | °C   °F    | -55 ... +60   -67 ... +140   |
| Connectors   |            | 4.3-10 female  |
| Application  |            | Indoor or outdoor (IP 66)  |
| DC/AISG transparency<br>Port 1 ↔ Port 3<br>Port 2 ↔ Port 3   | mA<br>mA   | Auto-Sense (max. 2000)<br>Auto-Sense (max. 2000)   |
| Lightning protection   | kA         | 3, 10/350 μs pulse   |
| Wind load (at Rated Wind Speed 150 km/h   93 mph)  | N   lbf    | frontal: 65   15<br>lateral: 38   9  |
| Mounting   | mm   in    | Wall mounting: With 4 screws (max. 8   0.315 diameter)<br>Mast mounting: With additional clamp set |
| Weight   | kg   lb    | 4.6   10.1   |
| Dimensions   | mm   in    | 192 x 172 x 139   7.6 x 6.8 x 5.5<br>(without connectors, without mounting brackets)               |
| Packing size   | mm   in    | 392 x 272 x 220   15.4 x 10.7 x 8.7  |

Accessories (order separately)

| Product No. |         | Clamp set suitable for<br>most diameter of |
|-------------|---------|--|
| 734360      | mm   in | 34–60   1.34–2.36                          |
| 734364      | mm   in | 120–140   4.72–5.51                        |
| 734365      | mm   in | 45–125   1.77–4.92                         |

| Product No. | Description |
|-------------|-------------|
| 78210484    | 50-Ohm load |
| 78211000    | DC stop     |

Typical Attenuation Curves

Diagram I

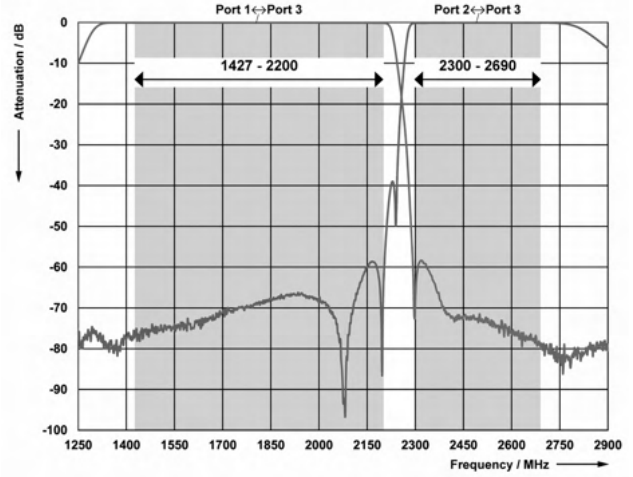
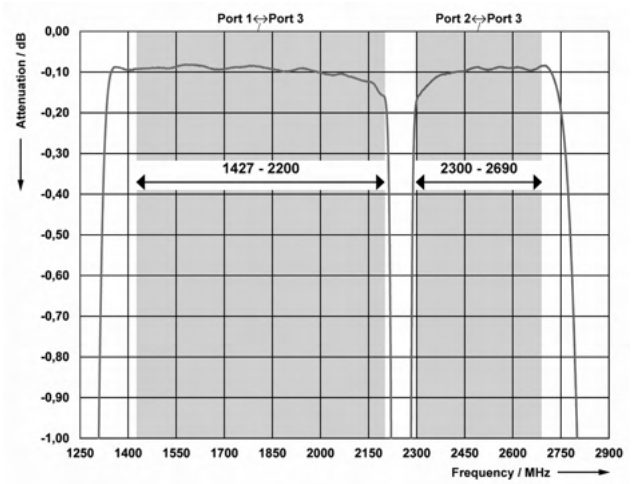
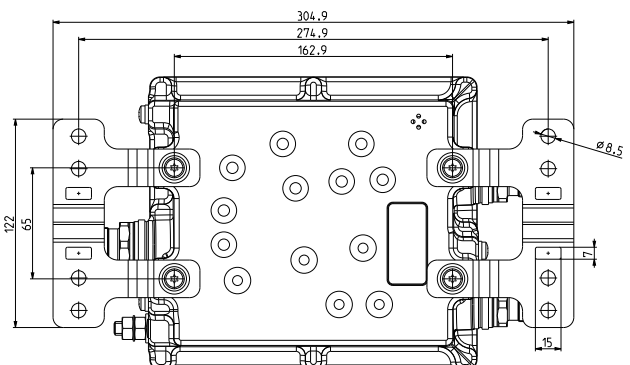
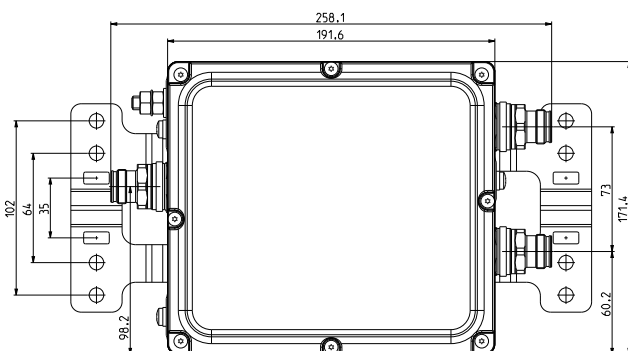
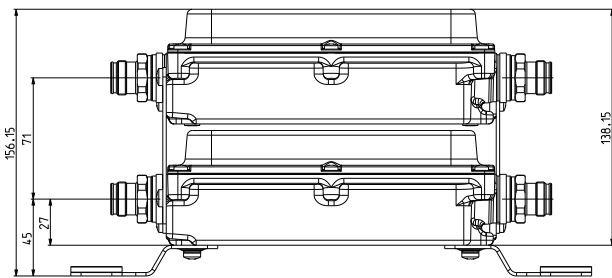
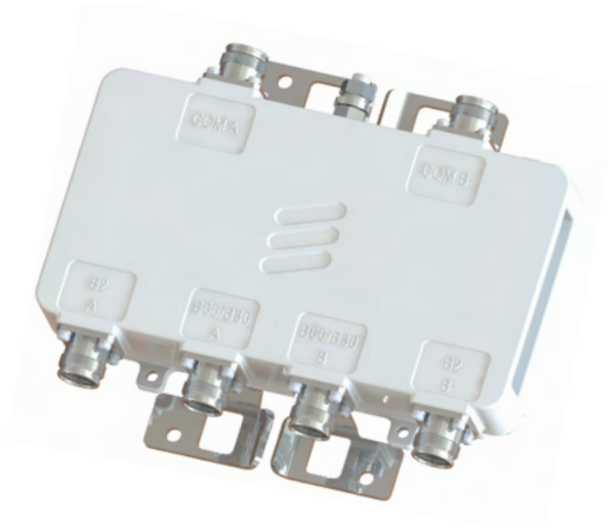


Diagram II



Dimensions in mm





Double Unit



Quad Unit

# Dual-Band Combiner

KRF 102 409/1, KRF 102 409/2, KRF 102 409/3

1850–1995 MHz

1695–1780 MHz, 2110–2360 MHz

- Suitable for MSS Radio Solution
- Excellent isolation performance
- Very low insertion loss
- Indoor and outdoor proof
- 4.3–10 connectors



[ericsson.com/antenna-system](https://ericsson.com/antenna-system)



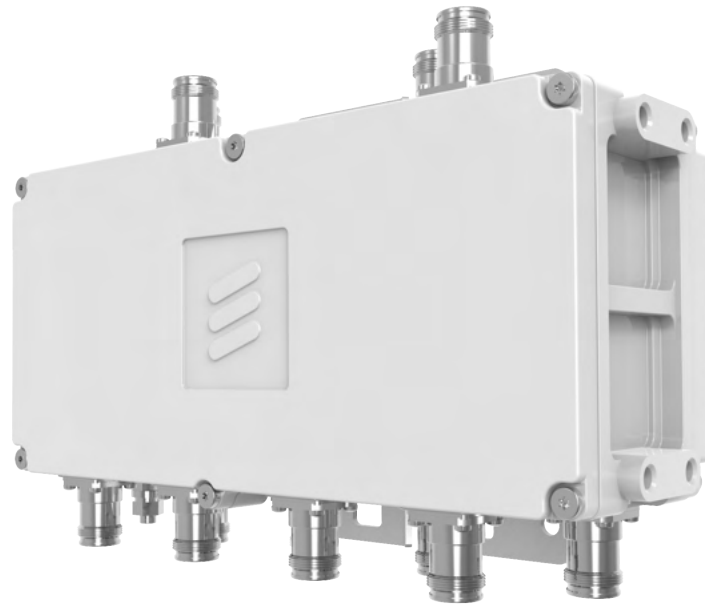
Scan or [click](#)

| Product No.  |     | KRF 102 409/1<br>Double Unit         | KRF 102 409/2<br>Quad Unit  | KRF 102 409/3<br>Double Unit         |
|--|-----|--------------------------------------|---|--------------------------------------|
| <b>Electrical Specifications**</b>                     |     |                                      |   |                                      |
| Frequency range<br>- B2/B25:<br>- B66:<br>- B66/B30:   | MHz |                                      | 1850 - 1995<br>1695 - 1780<br>2110 - 2360   |                                      |
| Insertion loss<br>- B2/B25:<br>- B66/B30:              | dB  |                                      | < 0.20*<br>< 0.15*  |                                      |
| Return loss  | dB  |                                      | > 20  |                                      |
| Isolation  | dB  |                                      | > 40  |                                      |
| Power handling<br>- Continuous power:<br>- Peak power: | dBm |                                      | 50<br>58  |                                      |
| DC configuration                                       |     |                                      | Pass all  |                                      |
| <b>Mechanical Specifications</b>                       |     |                                      |   |                                      |
| Dimensions (H × W × D)                                 | mm  | 210 × 116 × 43<br>(excl. connectors) | 210 × 116 × 90<br>(excl. connectors)  | 210 × 116 × 43<br>(excl. connectors) |
| Weight   | kg  | 2.1                                  | 4.3   | 1.95                                 |
| RF connectors  |     | 4.3-10 (f)                           | 4.3-10 (f)  | 4.3-10 (f)                           |
| Mounting options                                       |     | Pole or wall                         | Pole or wall  | Brackets not included                |
| <b>Environmental Specifications**</b>                  |     |                                      |   |                                      |
| Temperature range, full performance                    | °C  |                                      | -40 to +55  |                                      |
| MTBF   |     |                                      | > 80 years  |                                      |
| IP class   |     |                                      | IP67  |                                      |
| Lightning protection                                   |     |                                      | 5 kA 10/350 μs, 20 kA 8/20 μs (Common mode)   |                                      |
| Product safety   |     |                                      | International (CB): IEC 62368-1<br>Europe (CE): EN 62368-1<br>North America (ETL): CSA/UL 62368-1 |                                      |

\* Typical values

\*\* Common values for all variants





Quad Unit

# Dual-Band Combiner

KRF 102 407/2

2300–2400 MHz

2496–2690 MHz

- Easy and fast installation
- Low insertion loss
- Rail mounting is possible
- Wall mounting brackets and pole clamps are included (/2)
- Indoor and outdoor proof
- Can be used with both Ericsson and non-Ericsson RBSs



[ericsson.com/antenna-system](https://ericsson.com/antenna-system)



Scan or [click](#)

|  |        |  |
|--|--------|--|
| <b>Product No.</b>   |        | <b>KRF 102 407/2<br/>Quad Unit<br/>with bracket</b>            |
| <b>Electrical Specifications</b>                                       |        |  |
| Frequency range<br>- Low port:<br>- High port:                         | MHz    | 2300 – 2400<br>2496 – 2690                                     |
| Insertion loss<br>- Low port:<br>- High port:                          | dB     | < 0.25<br>< 0.20   |
| Return loss  | dB     | > 20   |
| Isolation  | dB     | > 55   |
| Intermodulation<br>- IM3 at 2×43 dBm:<br>- IM5 at 2×43 dBm:            | dBm    | < -106<br>< -121   |
| Max power handling (continuous)  | W      | 50 per port (100 W at COM port)                                |
| DC + AISG transparency<br>- Maximum DC voltage<br>- Maximum DC current | V<br>A | 40<br>3  |
| DC configuration   |        | Bypass   |
| <b>Mechanical Specifications</b>                                       |        |  |
| Dimensions (H × W × D)   | mm     | 95 × 285 × 134   |
| Weight (approx.)   | kg     | 5.6  |
| Volume   | L      | 3.6  |
| RF connectors  |        | 4.3–10 (f)   |
| Mounting alternatives  |        | Rail, pole, or wall mounting (Rail bracket ordered separately) |
| Maximum wind load impact (at 50 m/s)                                   | N      | 91   |
| <b>Environmental Specifications</b>                                    |        |  |
| Temperature range, full performance                                    | °C     | -20 to +80   |
| IP class   |        | IP67   |
| Lightning protection   |        | 5 kA 10/350 μs   |
| Product safety   |        | International (CB): IEC 62368-1<br>Europe (CE): EN 62368-1     |



Double Unit

# Dual-Band Combiner

KRF 102 432/4

2540–2560 MHz, 2660–2680 MHz  
2600–2615 MHz

- High out of band refection
- Low insertion loss
- DC and AISG signaling by-pass
- Wall mounting brackets and pole clamps are included
- Rail mounting is possible

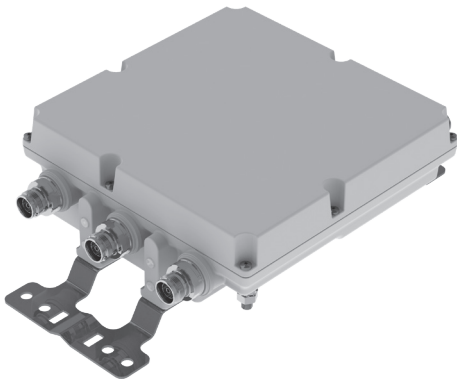


[ericsson.com/antenna-system](https://ericsson.com/antenna-system)

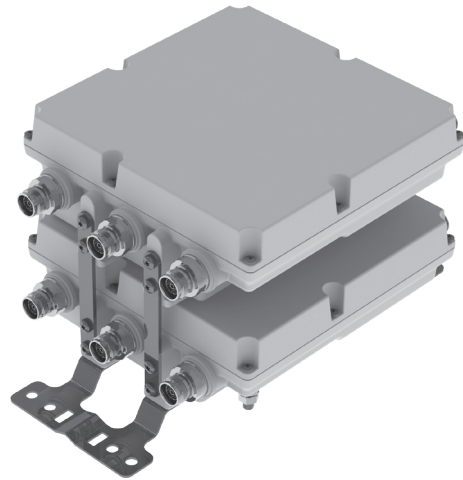


Scan or [click](#)

|  |     |   |
|--|-----|---|
| <b>Product No.</b>                     |     | <b>KRF 102 432/4</b>  |
| <b>Product Name</b>                    |     | <b>DBC B7sub+B38sub (4-2)</b>   |
| <b>Electrical Specifications</b>       |     |   |
| Frequency range                        | MHz |   |
| - Low port (B7 UL):<br>(B7 DL):        |     | 2540 – 2560   |
| - High port (B38):                     |     | 2660 – 2680   |
|  |     | 2600 – 2615   |
| Insertion loss                         | dB  |   |
| - Low port (B7 UL/DL):<br>- High port: |     | ≤ 0.5<br>≤ 0.5  |
| Return loss                            | dB  | > 20  |
| Isolation                              | dB  | > 50  |
| Intermodulation IM3 at 2×43 dBm:       | dBm | < -117  |
| Power handling                         | W   | 250 (CW) max. per port  |
| Maximum DC voltage:                    | V   | 40  |
| Maximum DC current:                    | A   | 3   |
| DC By-pass:                            |     | Bypass on all ports   |
| <b>Mechanical Specifications</b>       |     |   |
| Dimensions (H × W × D)                 | mm  | 165 × 265 × 48  |
| Weight                                 | kg  | 3.5   |
| RF connectors                          |     | 4.3–10 (f)  |
| Mounting options                       |     | Rail, pole, or wall mounting (Rail bracket ordered separately)                                    |
| <b>Environmental Specifications</b>    |     |   |
| Temperature range, full performance    | °C  |   |
| - Operational:<br>- Non-destructive:   |     | -40 to +55<br>-40 to +70  |
| IP class                               |     | IP67  |
| Lightning protection                   |     | 5 kA 10/350 μs, 20 kA μs (Common Mode)  |
| Product safety                         |     | International (CB): IEC 62368-1<br>Europe (CE): EN 62368-1<br>North America (ETL): CSA/UL 62368-1 |

AUTO-  
SENSE

Single Unit



Double Unit

# Triple-Band Combiner

78211820, 78211821

690–862 MHz  
880–960 MHz  
1427–3800 MHz

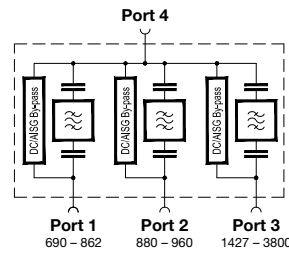
- Can be used as a combiner near the BTS or in a reciprocal function near the antenna
- Very low insertion loss
- Enables feeder sharing
- Designed for co-siting purposes
- Available as a single unit, or for XPol antennas as double unit
- Suitable for indoor and outdoor applications
- Wall or mast mounting
- Built-in lightning protection
- External DC stop available as an accessory



[ericsson.com/antenna-system](https://ericsson.com/antenna-system)



Scan or [click](#)



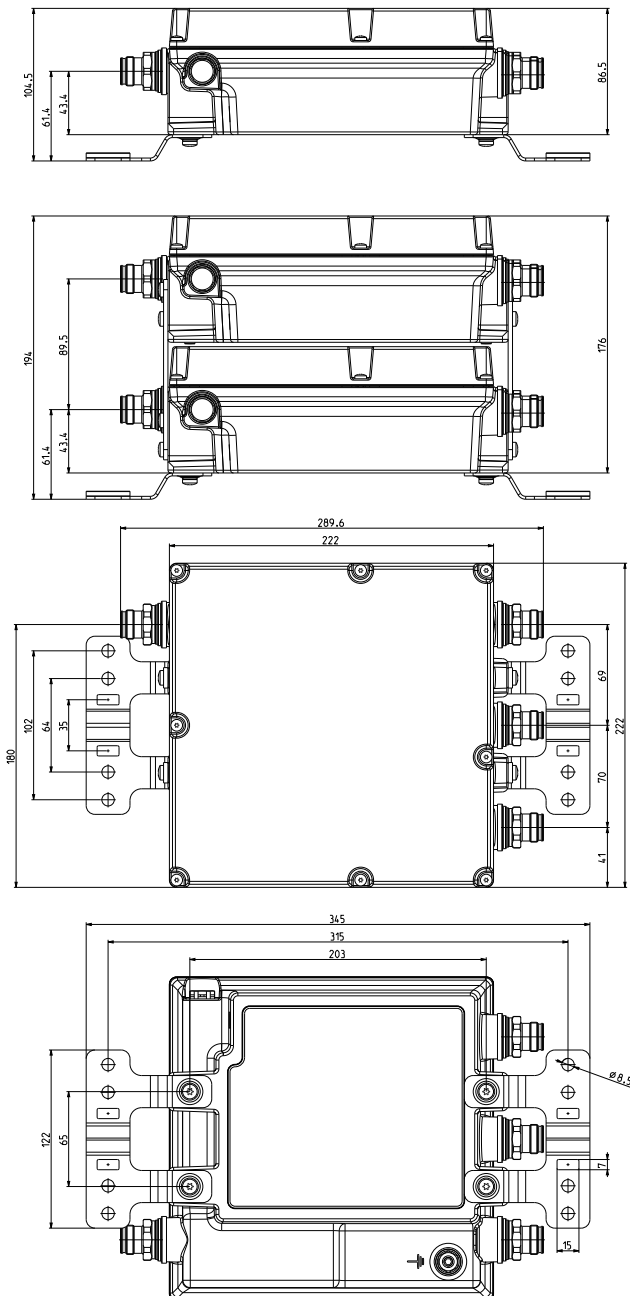
|                                 |         |  |
|---------------------------------|---------|--|
| <b>Product No.</b>              |         | <b>78211820</b><br><b>Single Unit</b>  |
|                                 |         | <b>78211821</b><br><b>Double Unit</b>  |
| <b>Pass band</b>                |         |  |
| Band 1                          | MHz     | 690 – 862  |
| Band 2                          | MHz     | 880 – 960  |
| Band 3                          | MHz     | 1427 – 3800  |
| <b>Insertion loss</b>           |         |  |
| Port 1 ↔ Port 4                 | dB      | < 0.5 (690 – 862 MHz)  |
| Port 2 ↔ Port 4                 | dB      | < 0.5 (880 – 960 MHz)  |
| Port 3 ↔ Port 4                 | dB      | < 0.15 (1427 – 3800 MHz)   |
| <b>Isolation</b>                | dB      | > 45   |
| <b>VSWR</b>                     |         | < 1.25   |
| <b>Impedance</b>                | Ω       | 50   |
| <b>Input power</b>              |         |  |
| Band 1 / Band 2 / Band 3        | W       | < 200 / < 200 / < 200 (1427 – 2700 MHz); < 100 (2700 – 3800 MHz)   |
| <b>Intermodulation products</b> | dBc     | < -160 (3 <sup>rd</sup> order; with 2 x 20 W)  |
| <b>Temperature range</b>        | °C   °F | -40 ... +60   -40 ... +140   |
| <b>Connectors</b>               |         | 4.3-10 female (long neck)  |
| <b>Application</b>              |         | Indoor or outdoor (IP 66)  |
| <b>DC/AISG transparency</b>     |         |  |
| Port 1 ↔ Port 4                 | mA      | By-pass (max. 2500)  |
| Port 2 ↔ Port 4                 | mA      | By-pass (max. 2500)  |
| Port 3 ↔ Port 4                 | mA      | By-pass (max. 2500)  |
| <b>Lightning protection</b>     | kA      | 3, 10/350 μs pulse   |
| <b>Mounting</b>                 | mm   in | Wall mounting: With 4 screws (max. 8   0.315 diameter)<br>Mast mounting: With included clamp set   |
| <b>Weight</b>                   | kg   lb | Single Unit: 5   11.0 / Double Unit: 9.9   21.8  |
| <b>Packing size</b>             | mm   in | Single Unit: 405 x 295 x 170   15.95 x 11.61 x 6.69<br>Double Unit: 405 x 295 x 260   15.95 x 11.61 x 10.24  |
| <b>Dimensions (w x h x d)</b>   | mm   in | Single Unit: 222 x 222 x 86.5   8.7 x 8.7 x 3.4<br>Double Unit: 222 x 222 x 176   8.7 x 8.7 x 6.9<br>(without connectors, without mounting brackets) |

**Accessories (order separately)**

| Product No. |         | Clamp set suitable for mast diameter of |
|-------------|---------|---|
| 734360      | mm   in | 34–60   1.34–2.36                       |
| 734364      | mm   in | 120–140   4.72–5.51                     |
| 734365      | mm   in | 45–125   1.77–4.92                      |

| Product No. | Description |
|-------------|-------------|
| 78210484    | 50-Ohm load |
| 78211000    | DC stop     |

Dimensions in mm



**Typical Attenuation Curves**

Diagram I

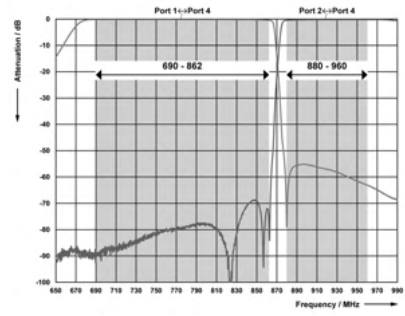


Diagram II

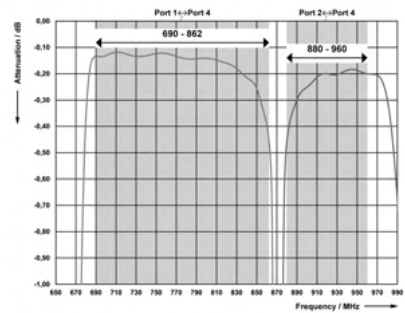


Diagram III

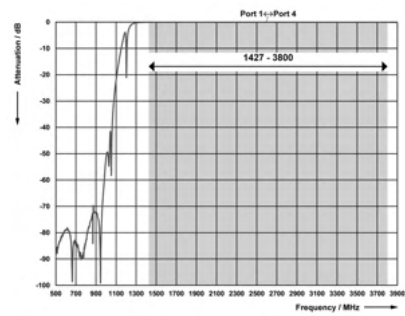
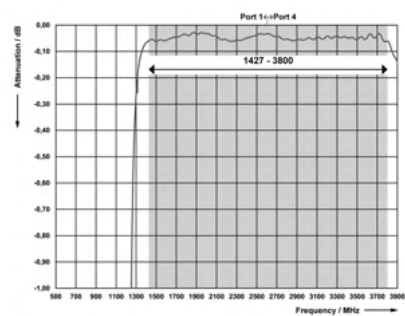
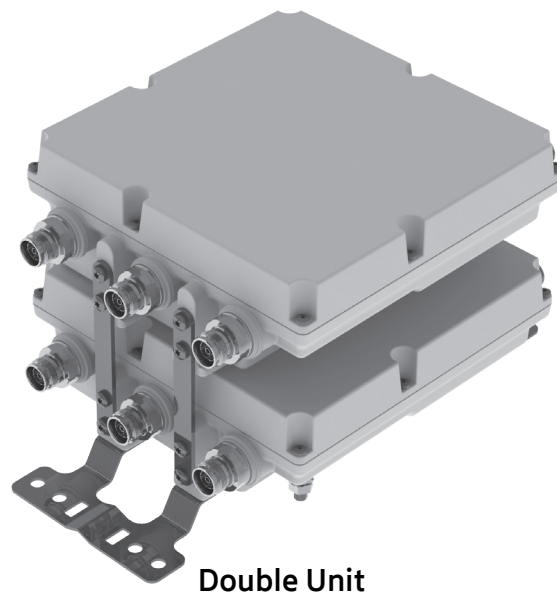


Diagram IV



AUTO-  
SENSE

Double Unit

# Triple-Band Combiner

78211828, 78211828V01

690–862 MHz  
880–960 MHz  
1427–3800 MHz

- Can be used as a combiner near the BTS or in a reciprocal function near the antenna
- Very low insertion loss
- Enables feeder sharing
- Designed for co-siting purposes
- Integrated Auto-Sense technology for automatic DC / AISG detection and bypass functionality
- Suitable for indoor and outdoor applications
- Wall or mast mounting
- Built-in lightning protection



[ericsson.com/antenna-system](https://ericsson.com/antenna-system)



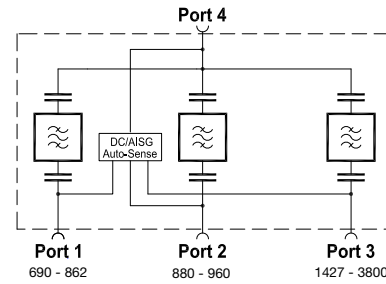
Scan or [click](#)



**Priority table for 78211828V01 with Priority Controlled Function**

|               |                      |
|---------------|----------------------|
| 690–862 MHz   | Priority 2           |
| 880–960 MHz   | Priority 3 (lowest)  |
| 1427–3800 MHz | Priority 1 (highest) |

For more information see Auto-Sense quick guide later in this datasheet.



|  |         |  |
|--|---------|--|
| <b>Product No.</b><br><b>DC/AISG transparency</b><br><b>1. First In - First Out Function</b><br><b>2. Priority Controlled Function</b> |         | <b>78211828</b><br><b>78211828V01</b><br><b>Double Unit</b>                            |
| Pass band  |         |  |
| Band 1   | MHz     | 690 – 862  |
| Band 2   | MHz     | 880 – 960  |
| Band 3   | MHz     | 1427 – 3800  |
| Insertion loss   |         |  |
| Port 1 ↔ Port 4  | dB      | < 0.4 (690 – 852 MHz); < 0.6 (852 – 862 MHz)   |
| Port 2 ↔ Port 4  | dB      | < 0.6 (880 – 890 MHz); < 0.4 (890 – 960 MHz)   |
| Port 3 ↔ Port 4  | dB      | < 0.15 (1427 – 3800 MHz)   |
| Isolation  |         |  |
| Port 1 ↔ Port 2  | dB      | > 55 (690 – 862 MHz); > 50 (880 – 960 MHz)   |
| Port 1 ↔ Port 3  | dB      | > 65 (690 – 862 MHz); > 75 (1427 – 3800 MHz)   |
| Port 2 ↔ Port 3  | dB      | > 60 (880 – 960 MHz); > 75 (1427 – 3800 MHz)   |
| VSWR   |         | < 1.25   |
| Impedance  | Ω       | 50   |
| Input power  |         |  |
| Band 1 / Band 2 / Band 3   | W       | < 200 / < 200 / < 200 (1427 – 2700 MHz); < 100 (2700 – 3800 MHz)                       |
| Intermodulation products   | dBc     | < -160 (3 <sup>rd</sup> order; with 2 x 20 W)  |
| Temperature range  | °C   °F | -40 ... +60   -40 ... +140   |
| Connectors   |         | 4.3-10 female  |
| Application  |         | Indoor or outdoor (IP 66)  |
| DC/AISG transparency   |         |  |
| Port 1, 2, 3 ↔ Port 4  | mA      | Auto-Sense (max. 2000)   |
| Lightning protection   | kA      | 3, 10/350 μs pulse   |
| Mounting   |         | Wall mounting: With 4 screws (max. 8   0.315 diameter) / Mast mounting: With clamp set |
| Weight   | kg   lb | 9.9   21.8   |
| Dimensions (w x h x d)   | mm   in | 222 x 222 176   8.7 x 8.7 x 6.9<br>(without connectors, without mounting brackets)     |
| Packing size   | mm   in | 405 x 295 x 260   16.0 x 11.6 x 10.3   |

Accessories (order separately)

| Product No. |         | Clamp set suitable for mast diameter of |
|-------------|---------|---|
| 734360      | mm   in | 34–60   1.34–2.36                       |
| 734364      | mm   in | 120–140   4.72–5.51                     |
| 734365      | mm   in | 45–125   1.77–4.92                      |

| Product No. | Description |
|-------------|-------------|
| 78210484    | 50-Ohm load |
| 78211000    | DC stop     |

Typical Attenuation Curves

Diagram I

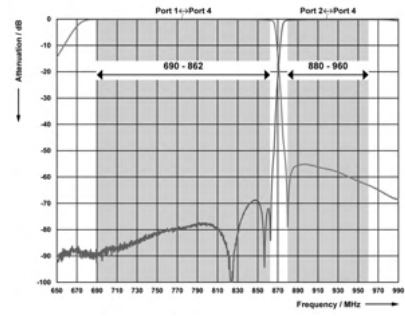


Diagram II

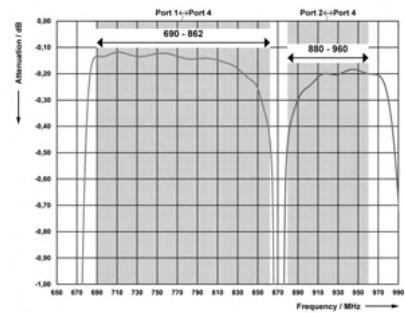


Diagram III

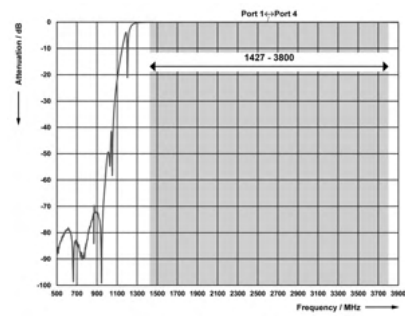
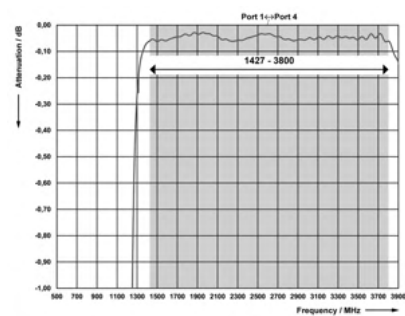
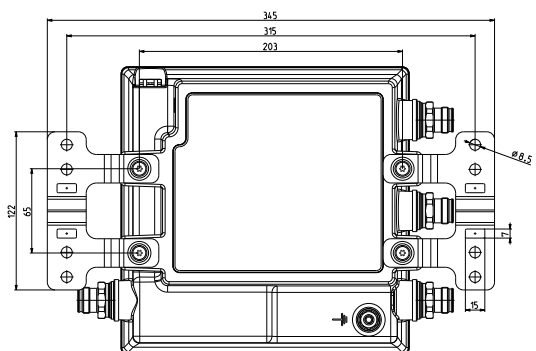
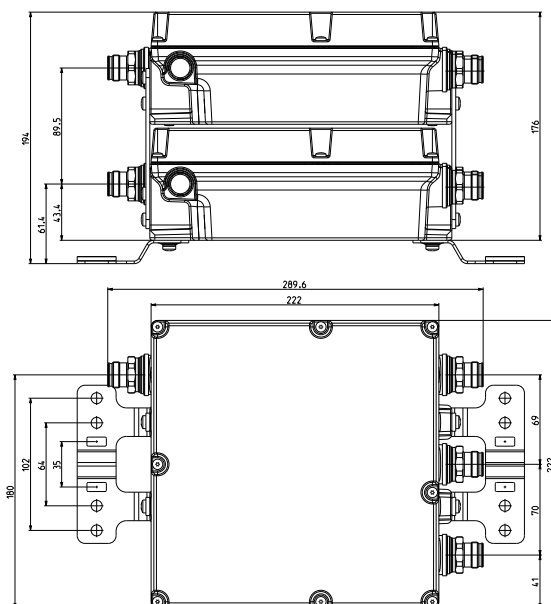


Diagram IV



Dimensions in mm





Single Unit



Double Unit

# Triple-Band Combiner

78211490, 78211491

703–788 MHz  
791–960 MHz  
1427–3800 MHz

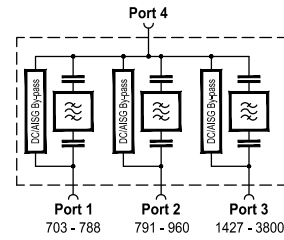
- Can be used as a combiner near the BTS or in a reciprocal function near the antenna
- Very low insertion loss
- Enables feeder sharing
- Designed for co-siting purposes
- Available as a single unit, or for XPol antennas as double unit
- Suitable for indoor and outdoor applications
- Wall or mast mounting
- Built-in lightning protection
- External DC stop available as an accessory



[ericsson.com/antenna-system](https://ericsson.com/antenna-system)



Scan or [click](#)



|                          |         |  |
|--------------------------|---------|--|
| <b>Product No.</b>       |         | <b>78211490</b><br>Single Unit   |
|                          |         | <b>78211491</b><br>Double Unit   |
| Pass band                |         |  |
| Band 1                   | MHz     | 703 – 788  |
| Band 2                   | MHz     | 791 – 960  |
| Band 3                   | MHz     | 1427 – 3800  |
| Insertion loss           |         |  |
| Port 1 ↔ Port 4          | dB      | < 0.7 (703 – 785 MHz) / < 1.0 (785 – 787 MHz) / < 1.5 (787 – 788 MHz)  |
| Port 2 ↔ Port 4          | dB      | < 1.5 (791 – 792 MHz) / < 1.0 (792 – 800 MHz) / < 0.7 (800 – 960 MHz)  |
| Port 3 ↔ Port 4          | dB      | < 0.2 (1427 – 3800 MHz)  |
| Isolation                | dB      | > 40   |
| VSWR                     |         | < 1.25   |
| Impedance                | Ω       | 50   |
| Input power              |         |  |
| Band 1 / Band 2 / Band 3 | W       | < 200 / < 200 / < 200 (1427 – 2700 MHz); < 100 (2700 – 3800 MHz)   |
| Intermodulation products | dBc     | -160 (3 <sup>rd</sup> order; with 2 x 20 W)  |
| Temperature range        | °C   F° | -40 ... +60   -40 ... +140   |
| Connectors               |         | 4.3-10 female  |
| Application              |         | Indoor or outdoor (IP 66)  |
| DC/AISG transparency     |         |  |
| Port 1 ↔ Port 4          | mA      | By-pass (max. 2500)  |
| Port 2 ↔ Port 4          | mA      | By-pass (max. 2500)  |
| Port 3 ↔ Port 4          | mA      | By-pass (max. 2500)  |
| Lightning protection     | kA      | 3, 10/350 μs pulse   |
| Mounting                 |         | Wall mounting: With 4 screws (max. 8 mm diameter)<br>Mast mounting: With additional clamp set  |
| Weight                   | kg   lb | Single Unit: 6.2   13.7 / Double Unit: 12.0   26.5   |
| Dimensions (w x h x d)   | mm   in | Single unit: 258 x 301 x 88   10.2 x 11.9 x 3.5<br>Double unit: 258 x 301 x 178   10.2 x 11.9 x 7.0<br>(without connectors, without mounting brackets) |
| Packing size             | mm   in | Single unit: 477 x 334 x 175   18.8 x 13.1 x 6.9<br>Double unit: 477 x 334 x 265   18.8 x 13.1 x 10.4  |

Accessories (order separately)

| Product No. |         | Clamp set suitable for mast diameter of |
|-------------|---------|---|
| 734360      | mm   in | 34–60   1.34–2.36                       |
| 734364      | mm   in | 120–140   4.72–5.51                     |
| 734365      | mm   in | 45–125   1.77–4.92                      |

| Product No. | Description |
|-------------|-------------|
| 78210484    | 50-Ohm load |
| 78211000    | DC stop     |

Typical Attenuation Curves

Diagram I

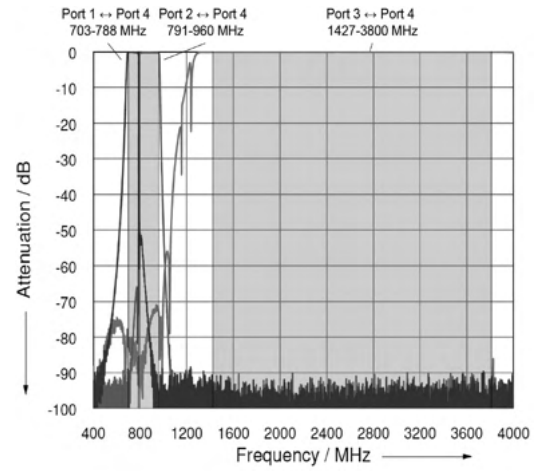
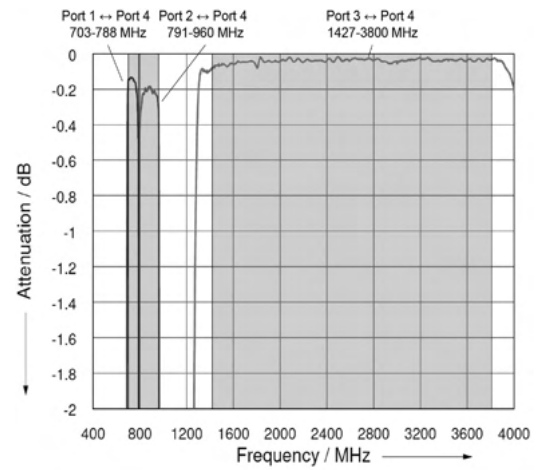
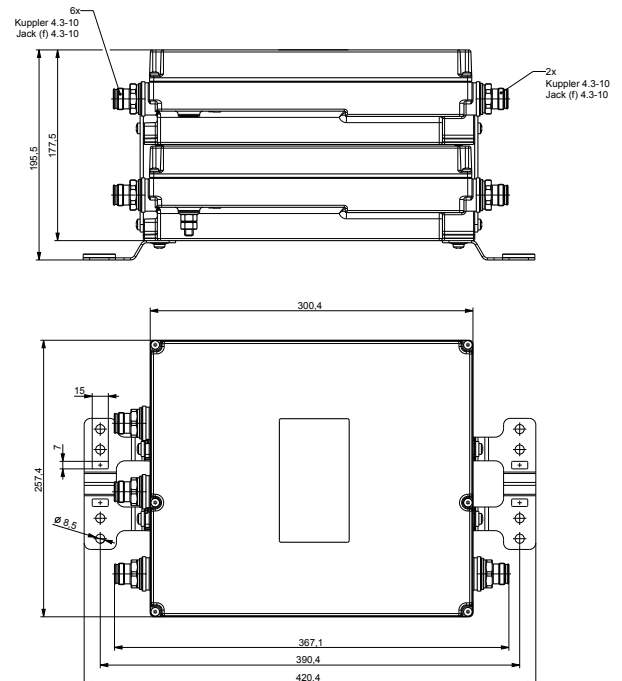
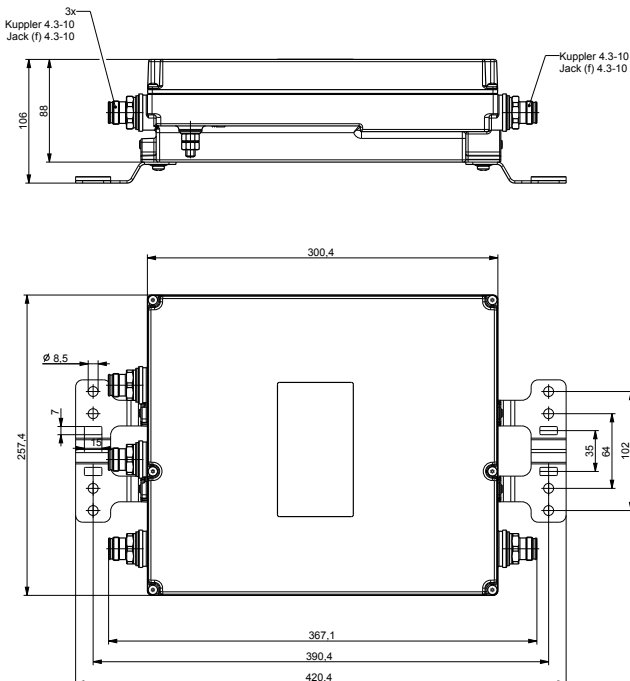
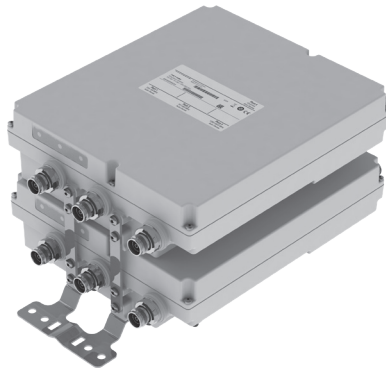


Diagram II



Dimensions in mm



AUTO-  
SENSE

Double Unit

# Triple-Band Combiner

78211498, 78211498V01

703–788 MHz  
791–960 MHz  
1427–3800 MHz

- Can be used as a combiner near the BTS or in a reciprocal function near the antenna
- Very low insertion loss
- Enables feeder sharing
- Designed for co-siting purposes
- Integrated Auto-Sense technology for automatic DC / AISG detection and bypass functionality
- Suitable for indoor or outdoor applications
- Wall or mast mounting
- Built-in lightning protection



[ericsson.com/antenna-system](https://ericsson.com/antenna-system)

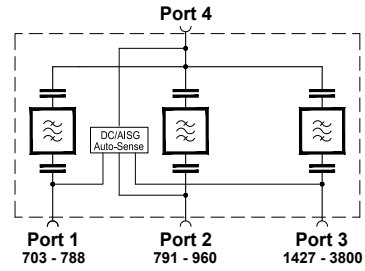


Scan or [click](#)

**Priority table for 78211498V01 with Priority Controlled Function**

|               |                      |
|---------------|----------------------|
| 703–788 MHz   | Priority 3 (lowest)  |
| 791–960 MHz   | Priority 2           |
| 1427–3800 MHz | Priority 1 (highest) |

For more information see Auto-Sense quick guide later in this datasheet.



|  |                   |   |
|--|-------------------|---|
| <b>Product No.</b><br><b>DC/AISG transparency</b><br><b>1. First In - First Out Function</b><br><b>2. Priority Controlled Function</b> |                   | <b>78211498</b><br><b>78211498V01</b><br><b>Double Unit</b>   |
| <b>Pass band</b><br>Band 1<br>Band 2<br>Band 3   | MHz<br>MHz<br>MHz | 703 – 788<br>791 – 960<br>1427 – 3800   |
| <b>Insertion loss</b><br>Port 1 ↔ Port 4<br>Port 2 ↔ Port 4<br>Port 3 ↔ Port 4   | dB<br>dB<br>dB    | < 0.7 (703 – 785 MHz) / < 1.0 (785 – 787 MHz) / < 1.5 (787 – 788 MHz)<br>< 1.5 (791 – 792 MHz) / < 1.0 (792 – 800 MHz) / < 0.7 (800 – 960 MHz)<br>< 0.2 (1427 – 3800 MHz) |
| <b>Isolation</b>   | dB                | > 40  |
| <b>VSWR</b>  |                   | < 1.25  |
| <b>Impedance</b>   | Ω                 | 50  |
| <b>Input power</b><br>Band 1 / Band 2 / Band 3   | W                 | < 200 / < 200 / < 200 (1427 – 2700 MHz); < 100 (2700 – 3800 MHz)  |
| <b>Intermodulation products</b>  | dBc               | < -160 (3 <sup>rd</sup> order; with 2 x 20 W)   |
| <b>Temperature range</b>   | °C   °F           | -40 ... +60   -40 ... +140  |
| <b>Connectors</b>  |                   | 4.3-10 female   |
| <b>Application</b>   |                   | Indoor or outdoor (IP 66)   |
| <b>DC/AISG transparency</b><br>Port 1, 2, 3 ↔ Port 4   | mA                | Auto-Sense (max. 2000)  |
| <b>Lightning protection</b>  | kA                | 3, 10/350 μs pulse  |
| <b>Mounting</b>  | mm   in           | Wall mounting: With 4 screws (max. 8   0.315 diameter)<br>Mast mounting: With additional clamp set  |
| <b>Weight</b>  | kg   lb           | 12.0   26.5   |
| <b>Dimensions (w x h x d)</b>  | mm   in           | 258 x 301 x 178   10.2 x 11.9 x 7.0<br>(without connectors, without mounting brackets)  |
| <b>Packing size</b>  | mm   in           | 477 x 334 x 265   18.8 x 13.1 x 10.4  |

**Accessories (order separately)**

| Product No. |         | Clamp set suitable for<br>mast diameter of |
|-------------|---------|--|
| 734360      | mm   in | 34–60   1.34–2.36                          |
| 734364      | mm   in | 120–140   4.72–5.51                        |
| 734365      | mm   in | 45–125   1.77–4.92                         |

| Product No. | Description |
|-------------|-------------|
| 78210484    | 50-Ohm load |
| 78211000    | DC stop     |

Diagram I

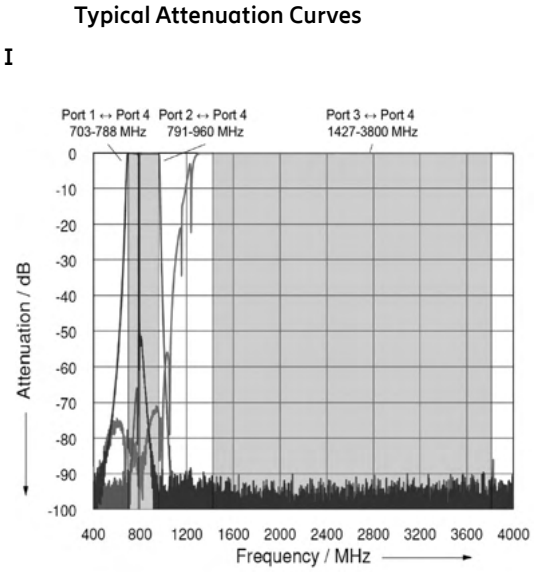
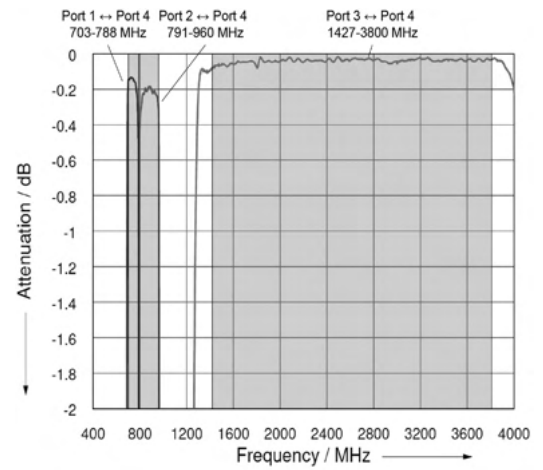
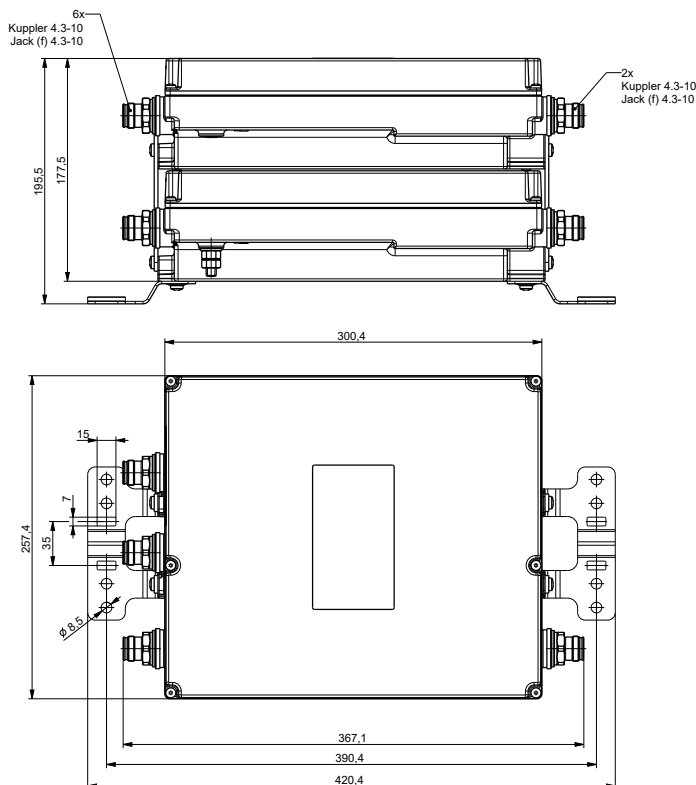


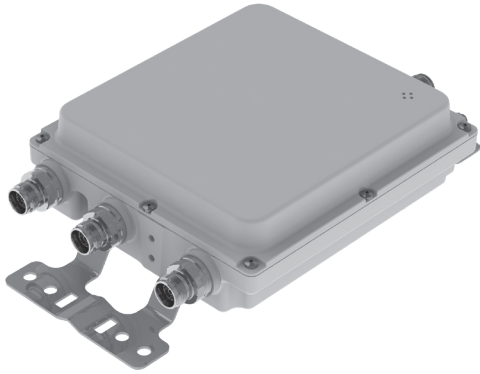
Diagram II



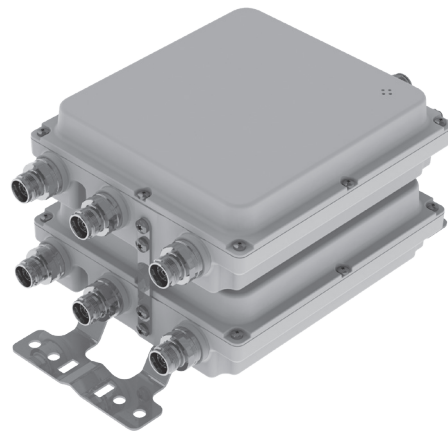
Dimensions in mm







Single Unit



Double Unit

# Triple-Band Combiner

78211450, 78211451,  
78211452, 78211453

380–960 MHz  
1427–2200 MHz  
2300–2690 MHz

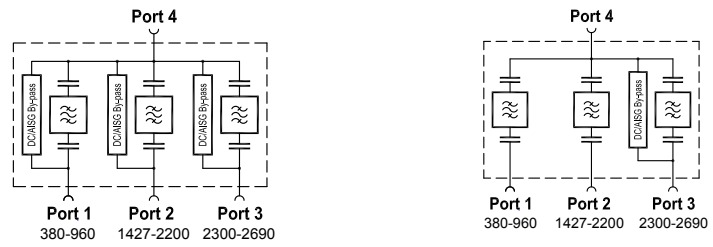
- Can be used as a combiner near the BTS or in a reciprocal function near the antenna
- Very low insertion loss
- Enables feeder sharing
- Designed for co-siting purposes
- Available as a single unit, or for XPol antennas as double unit
- Suitable for indoor and outdoor applications
- Wall or mast mounting
- Built-in lightning protection
- External DC stop available as an accessory



[ericsson.com/antenna-system](https://ericsson.com/antenna-system)



Scan or [click](#)



| Product No.              |         | 78211450<br>Single Unit  | clamps<br>included | 78211452<br>Single Unit |
|--------------------------|---------|--|--------------------|-------------------------|
|                          |         | 78211451<br>Double Unit  |                    | 78211453<br>Double Unit |
| Pass band                |         |  |                    |                         |
| Band 1                   | MHz     | 380 – 960  |                    |                         |
| Band 2                   | MHz     | 1427 – 2200  |                    |                         |
| Band 3                   | MHz     | 2300 – 2690  |                    |                         |
| Insertion loss           |         |  |                    |                         |
| Port 1 ↔ Port 4          | dB      | < 0.2 (380 – 960 MHz)  |                    |                         |
| Port 2 ↔ Port 4          | dB      | < 0.2 (1427 – 2200 MHz)  |                    |                         |
| Port 3 ↔ Port 4          | dB      | < 0.2 (2300 – 2690 MHz)  |                    |                         |
| Isolation                | dB      | > 50   |                    |                         |
| VSWR                     |         | < 1.25   |                    |                         |
| Impedance                | Ω       | 50   |                    |                         |
| Input power              |         |  |                    |                         |
| Band 1 / Band 2 / Band 3 | W       | < 300 / < 200 / < 200  |                    |                         |
| Intermodulation products | dBc     | < -160 (3 <sup>rd</sup> order; with 2 x 20 W), exempt from TETRA 360 – 470 MHz: < -150   |                    |                         |
| Temperature range        | °C   °F | -40 ... +60   -40 ... +140   |                    |                         |
| Connectors               |         | 4.3-10 female  |                    |                         |
| Application              |         | Indoor or outdoor (IP 66)  |                    |                         |
| DC/AISG transparency     |         |  |                    |                         |
| Port 1 ↔ Port 4          | mA      | By-pass (max. 2500)  |                    | Stop                    |
| Port 2 ↔ Port 4          | mA      | By-pass (max. 2500)  |                    | Stop                    |
| Port 3 ↔ Port 4          | mA      | By-pass (max. 2500)  |                    | By-pass (max. 2500)     |
| Lightning protection     | kA      | 3, 10/350 μs pulse   |                    |                         |
| Mounting                 | mm   in | Wall mounting: With 4 screws (max. 8   0.315 diameter)<br>Mast mounting: With included clamp set   |                    |                         |
| Weight                   | kg   lb | Single unit: 3.5   7.7 / Double unit: 6.9   15.2   |                    |                         |
| Dimensions (w x h x d)   | mm   in | Single Unit: 215 x 197 x 68   8.5 x 7.8 x 2.7<br>Double Unit: 215 x 197 x 139   8.5 x 7.8 x 5.5<br>(without connectors, inclusive mounting brackets) |                    |                         |
| Packing size             | mm   in | Single Unit: 392 x 272 x 165   15.4 x 10.7 x 6.5<br>Double Unit: 392 x 272 x 240   15.4 x 10.7 x 9.5   |                    |                         |

**Accessories (included)**

| Product No. |         | Clamp set suitable for mast diameter of |
|-------------|---------|---|
| 734365      | mm   in | 45–125   1.77–4.92                      |

**Accessories (order separately)**

| Product No. |         | Description                    |
|-------------|---------|--------------------------------|
| 78210484    |         | 50-Ohm load                    |
| 78211000    |         | DC stop                        |
| 734360      | mm   in | Clamp set: 34–60   1.34–2.36   |
| 734364      | mm   in | Clamp set: 120–140   4.72–5.51 |

**Typical Attenuation Curves**

Diagram I

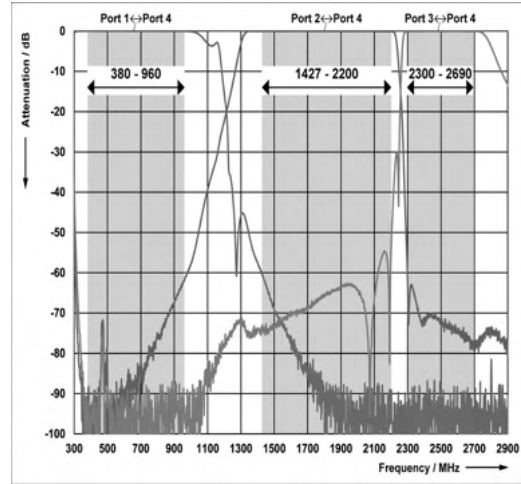
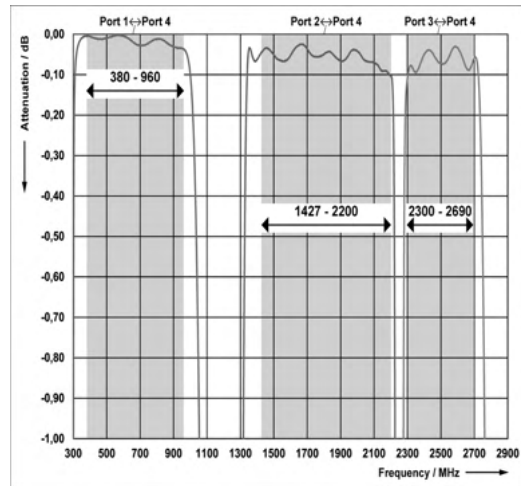
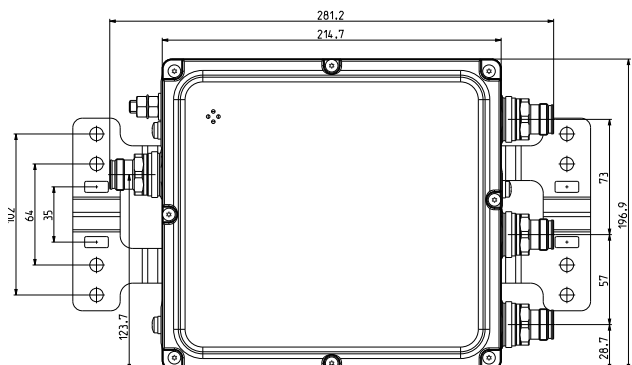
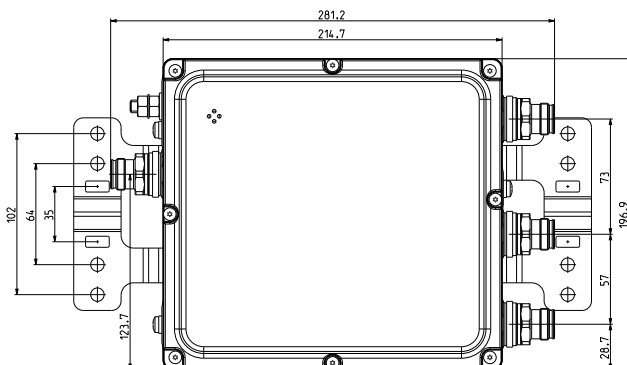
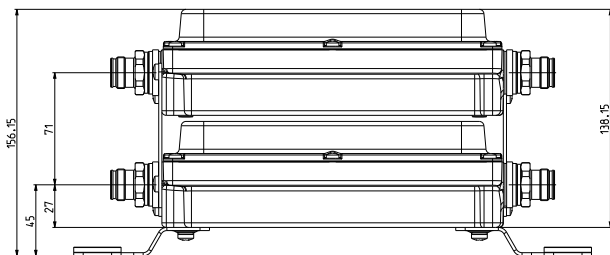
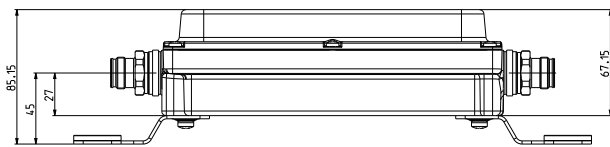
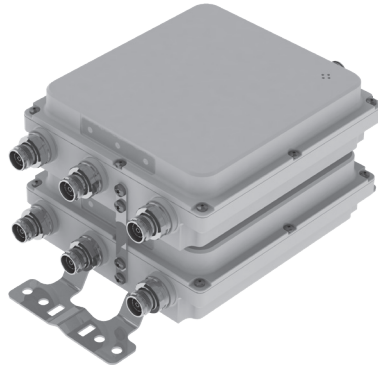


Diagram II



**Dimensions in mm**



AUTO-  
SENSE

Double Unit

# Triple-Band Combiner

78211458, 78211458V01

380–960 MHz  
1427–2200 MHz  
2300–2690 MHz

- Can be used as a combiner near the BTS or in a reciprocal function near the antenna
- Very low insertion loss
- Enables feeder sharing
- Designed for co-siting purposes
- Integrated Auto-Sense technology for automatic DC / AISG detection and bypass functionality
- Suitable for indoor or outdoor applications
- Wall or mast mounting
- Built-in lightning protection



[ericsson.com/antenna-system](https://ericsson.com/antenna-system)

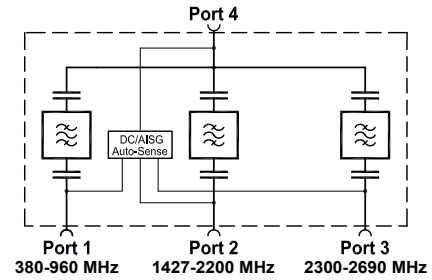


Scan or [click](#)

**Priority table for 78211458V01 with Priority Controlled Function**

|               |                      |
|---------------|----------------------|
| 380–960 MHz   | Priority 2           |
| 1427–2200 MHz | Priority 3 (lowest)  |
| 2300–2690 MHz | Priority 1 (highest) |

For more information see Auto-Sense quick guide later in this datasheet.



|  |         |  |                                  |
|--|---------|--|----------------------------------|
| <b>Product No.</b><br><b>DC/AISG transparency</b><br>1. First In - First Out Function<br>2. Priority Controlled Function |         | <b>78211458</b><br><b>78211458V01</b><br><b>Double Unit</b>  | <u>clamps</u><br><u>included</u> |
| Pass band  |         |  |                                  |
| Band 1   | MHz     | 380 – 960  |                                  |
| Band 2   | MHz     | 1427 – 2200  |                                  |
| Band 3   | MHz     | 2300 – 2690  |                                  |
| Insertion loss   |         |  |                                  |
| Port 1 ↔ Port 4  | dB      | < 0.2 (380 – 960 MHz)  |                                  |
| Port 2 ↔ Port 4  | dB      | < 0.2 (1427 – 2200 MHz)  |                                  |
| Port 3 ↔ Port 4  | dB      | < 0.2 (2300 – 2690 MHz)  |                                  |
| Isolation  | dB      | > 50   |                                  |
| VSWR   |         | < 1.25   |                                  |
| Impedance  | Ω       | 50   |                                  |
| Input power  |         |  |                                  |
| Band 1 / Band 2 / Band 3   | W       | < 300 / < 200 / < 200  |                                  |
| Intermodulation products   | dBc     | < -160 (3 <sup>rd</sup> order; with 2 x 20 W), exempt from TETRA 360 – 470 MHz: < -150             |                                  |
| Temperature range  | °C   °F | -40 ... +60   -40 ... +140   |                                  |
| Connectors   |         | 4.3-10 female  |                                  |
| Application  |         | Indoor or outdoor (IP 66)  |                                  |
| DC/AISG transparency   |         |  |                                  |
| Port 1, 2, 3 ↔ Port 4  | mA      | Auto-Sense (max. 2000)   |                                  |
| Lightning protection   | kA      | 3, 10/350 μs pulse   |                                  |
| Mounting   | mm   in | Wall mounting: With 4 screws (max. 8   0.315 diameter) /<br>Mast mounting: With included clamp set |                                  |
| Weight   | kg   lb | 7.2   15.9   |                                  |
| Dimensions (w x h x d)   | mm   in | 215 x 197 x 139   8.5 x 7.8 x 5.5<br>(without connectors, without mounting brackets)               |                                  |
| Packing Size   | mm   in | 392 x 272 x 240   15.4 x 10.7 x 9.4  |                                  |

**Accessories (included)**

| Product No. |         | Clamp set suitable for mast diameter of |
|-------------|---------|---|
| 734365      | mm   in | 45–125   1.77–4.92                      |

**Accessories (order separately)**

| Product No. |         | Description                    |
|-------------|---------|--------------------------------|
| 78210484    |         | 50-Ohm load                    |
| 78211000    |         | DC stop                        |
| 734360      | mm   in | Clamp set: 34–60   1.34–2.36   |
| 734364      | mm   in | Clamp set: 120–140   4.72–5.51 |

**Typical Attenuation Curves**

Diagram I

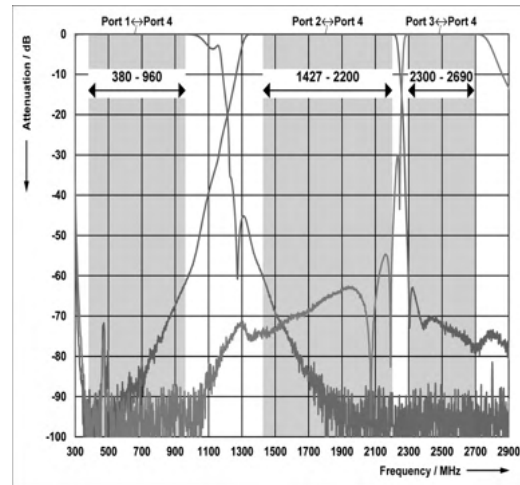
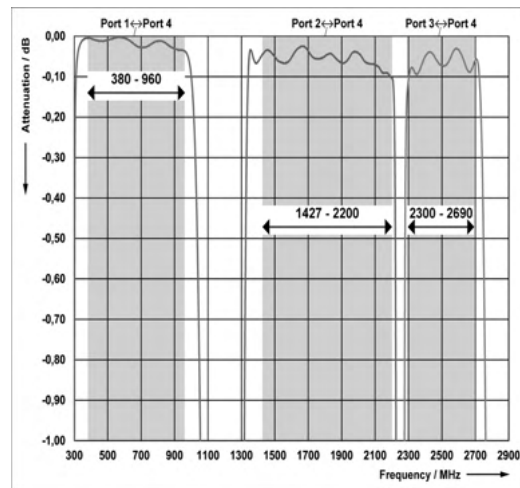
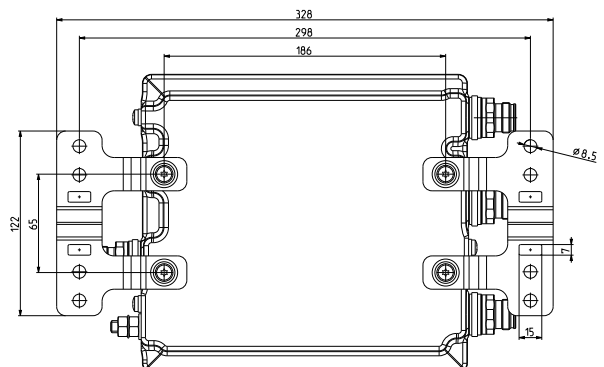
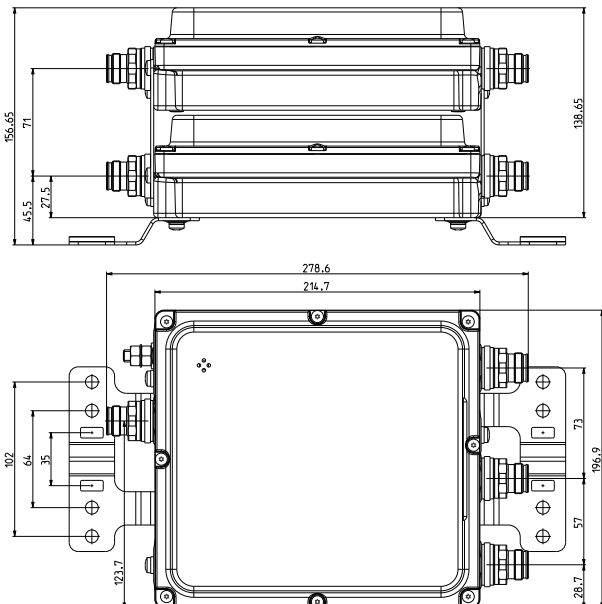
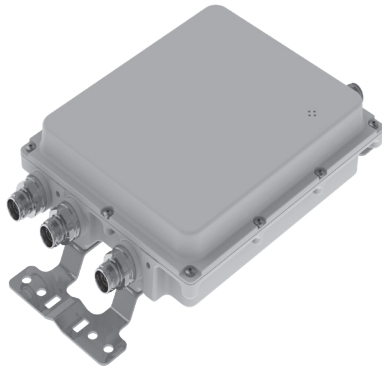


Diagram II

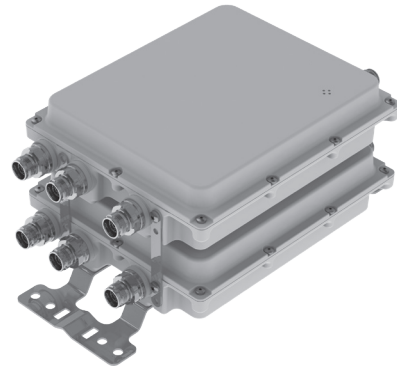


**Dimensions in mm**





Single Unit



Double Unit

# Triple-Band Combiner

78211560, 78211561,  
78211562, 78211563

380–960 MHz  
1427–1880 MHz  
1920–2690 MHz

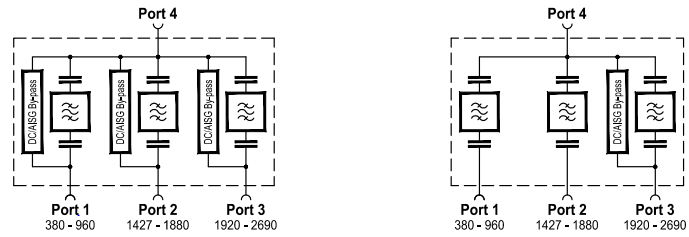
- Designed for co-siting purposes
- Enables feeder sharing
- Can be used as a combiner near the BTS or in a reciprocal function near the antenna
- Suitable for indoor or outdoor applications
- Wall or mast mounting Very low insertion loss
- Available as a single unit, or for XPol antennas as double unit
- Built-in lightning protection
- External DC stop available as an accessory



[ericsson.com/antenna-system](https://ericsson.com/antenna-system)



Scan or [click](#)



| Product No.              |         | 78211560<br>Single Unit  | 78211562<br>Single Unit |
|--------------------------|---------|--|-------------------------|
|                          |         | 78211561<br>Double Unit  | 78211563<br>Double Unit |
| Pass band                |         |  |                         |
| Band 1                   | MHz     | 380 – 960  |                         |
| Band 2                   | MHz     | 1427 – 1880  |                         |
| Band 3                   | MHz     | 1920 – 2690  |                         |
| Insertion loss           |         |  |                         |
| Port 1 ↔ Port 4          | dB      | < 0.2 (380 – 960 MHz)  |                         |
| Port 2 ↔ Port 4          | dB      | < 0.3 (1427 – 1880 MHz)  |                         |
| Port 3 ↔ Port 4          | dB      | < 0.35 (1920 – 2690 MHz)   |                         |
| Isolation                | dB      | > 40   |                         |
| VSWR                     |         | < 1.25   |                         |
| Impedance                | Ω       | 50   |                         |
| Input power              |         |  |                         |
| Band 1 / Band 2 / Band 3 | W       | < 200 / < 200 / < 200  |                         |
| Intermodulation products | dBc     | < -160 (3 <sup>rd</sup> order; with 2 x 20 W), exempt from TETRA 360 – 470 MHz: < -150<br>< -160 (1427 – 2690 MHz, 3 <sup>rd</sup> order; with 2 x 20 W) |                         |
| Temperature range        | °C   °F | -40 ... +60   -40 ... +140   |                         |
| Connectors               |         | 4.3-10 female  |                         |
| Application              |         | Indoor or outdoor (IP 66)  |                         |
| DC/AISG transparency     |         |  |                         |
| Port 1 ↔ Port 4          | mA      | By-pass (max. 2500)  | Stop                    |
| Port 2 ↔ Port 4          | mA      | By-pass (max. 2500)  | Stop                    |
| Port 3 ↔ Port 4          | mA      | By-pass (max. 2500)  | By-pass (max. 2500)     |
| Lightning protection     | kA      | 3, 10/350 μs pulse   |                         |
| Mounting                 | mm   in | Wall mounting: With 4 screws (max. 8   0.315 diameter)<br>Mast mounting: With clamp set  |                         |
| Weight                   | kg   lb | Single unit: 3.6   7.1 / Double unit: 7.0   15.4   |                         |
| Dimensions (w x h x d)   | mm   in | Single Unit: 251 x 211 x 68   9.9 x 8.3 x 2.7<br>Double Unit: 251 x 211 x 139   9.9 x 8.3 x 5.5<br>(without connectors, without mounting brackets)       |                         |
| Packing size             | mm   in | Single Unit: 439 x 289 x 160   17.3 x 11.4 x 6.3<br>Double Unit: 439 x 289 x 230   17.3 x 11.4 x 9.1   |                         |



**Accessories (order separately)**

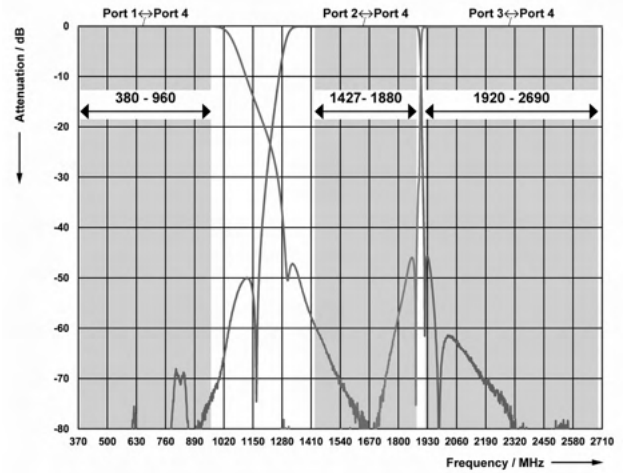
| Product No. |         | Clamp set suitable for<br>most diameter of |
|-------------|---------|--|
| 734360      | mm   in | 34–60   1.34–2.36                          |
| 734364      | mm   in | 120–140   4.72–5.51                        |
| 734365      | mm   in | 45–125   1.77–4.92                         |

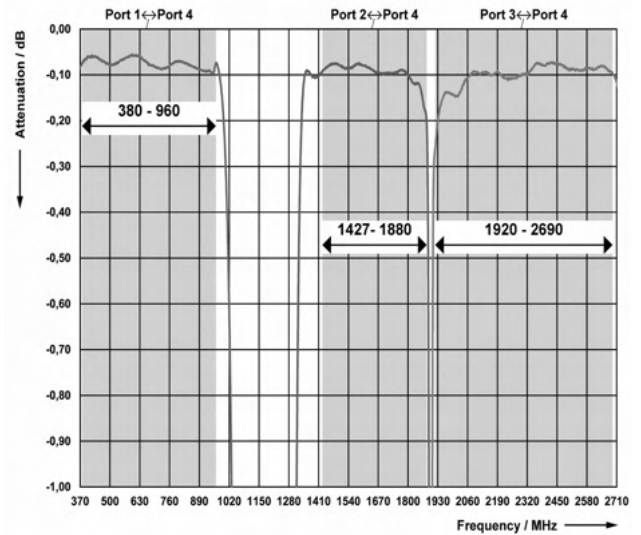
| Product No. | Description |
|-------------|-------------|
| 78210484    | 50-Ohm load |
| 78211000    | DC stop     |

**Typical Attenuation Curves**

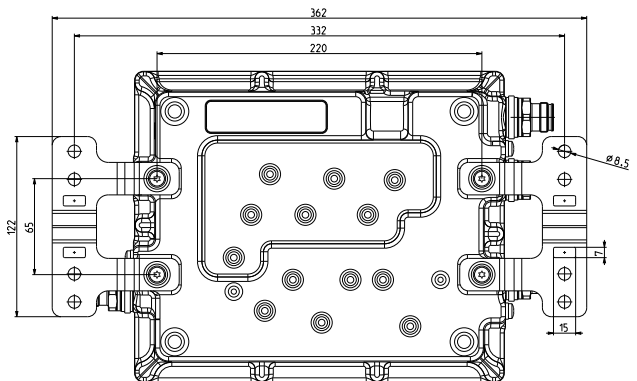
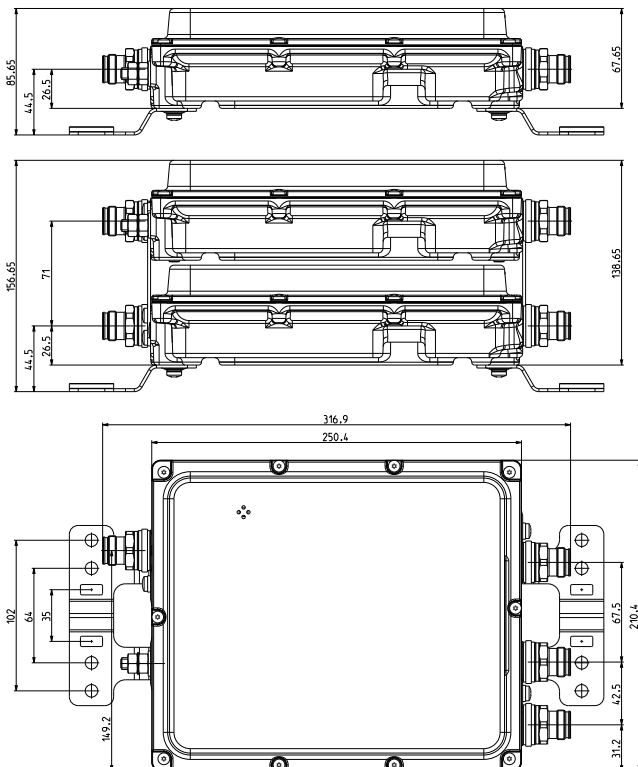
**Diagram I**

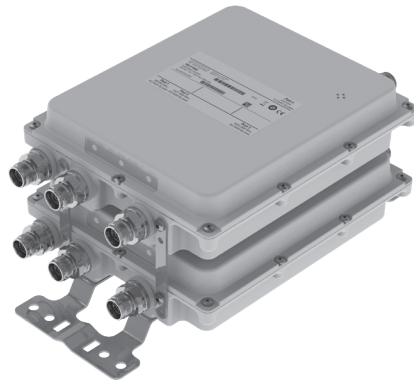


**Diagram II**



**Dimensions in mm**



AUTO-  
SENSE

Double Unit

# Triple-Band Combiner

78211568, 78211568V01

380–960 MHz  
1427–1880 MHz  
1920–2690 MHz

- Can be used as a combiner near the BTS or in a reciprocal function near the antenna
- Very low insertion loss
- Enables feeder sharing
- Designed for co-siting purposes
- Integrated Auto-Sense technology for automatic DC / AISG detection and bypass functionality
- Suitable for indoor and outdoor applications
- Wall or mast mounting
- Built-in lightning protection



[ericsson.com/antenna-system](https://ericsson.com/antenna-system)

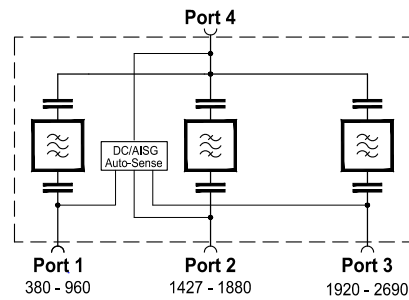


Scan or [click](#)

## Priority table for 78211568V01 with Priority Controlled Function

|               |                      |
|---------------|----------------------|
| 380–960 MHz   | Priority 2           |
| 1427–1880 MHz | Priority 3 (lowest)  |
| 1920–2690 MHz | Priority 1 (highest) |

For more information see Auto-Sense quick guide later in this datasheet.



|  |         |  |
|--|---------|--|
| <b>Product No.</b><br><b>DC/AISG transparency</b><br>1. First In - First Out Function<br>2. Priority Controlled Function |         | <b>78211568</b><br><b>78211568V01</b><br><b>Double Unit</b>  |
| Pass band  |         |  |
| Band 1   | MHz     | 380 – 960  |
| Band 2   | MHz     | 1427 – 1880  |
| Band 3   | MHz     | 1920 – 2690  |
| Insertion loss   |         |  |
| Port 1 ↔ Port 4  | dB      | < 0.2 (380 – 960 MHz)  |
| Port 2 ↔ Port 4  | dB      | < 0.3 (1427 – 1880 MHz)  |
| Port 3 ↔ Port 4  | dB      | < 0.35 (1920 – 2690 MHz)   |
| Isolation  | dB      | > 40   |
| VSWR   |         | < 1.25   |
| Impedance  | Ω       | 50   |
| Input power  | W       | < 200 / < 200 / < 200  |
| Intermodulation products   | dBc     | < -160 (3 <sup>rd</sup> order; with 2 x 20 W), exempt from TETRA 360 – 470 MHz: < -150             |
| Temperature range  | °C   °F | -40 ... +60   -40 ... +140   |
| Connectors   |         | 4.3-10 female  |
| Application  |         | Indoor or outdoor (IP 66)  |
| DC/AISG transparency   | mA      | Auto-Sense (max. 2000)   |
| Lightning protection   | kA      | 3, 10/350 μs pulse   |
| Mounting   | mm   in | Wall mounting: With 4 screws (max. 8   0.315 diameter)<br>Mast mounting: With additional clamp set |
| Weight   | kg   lb | 7.1   15.7   |
| Dimensions (w x h x d)   | mm   in | 251 x 211 x 139   9.9 x 8.3 x 5.5<br>(without connectors, without mounting brackets)               |
| Packing size   | mm   in | 439 x 289 x 230   17.3 x 11.4 x 9.1  |

Accessories (order separately)

| Product No. |         | Clamp set suitable for<br>mast diameter of |
|-------------|---------|--|
| 734360      | mm   in | 34–60   1.34–2.36                          |
| 734364      | mm   in | 120–140   4.72–5.51                        |
| 734365      | mm   in | 45–125   1.77–4.92                         |

| Product No. | Description |
|-------------|-------------|
| 78210484    | 50-Ohm load |
| 78211000    | DC stop     |

Typical Attenuation Curves

Diagram I

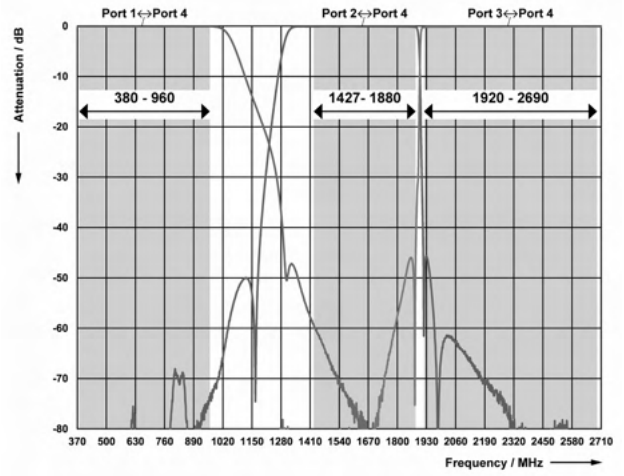
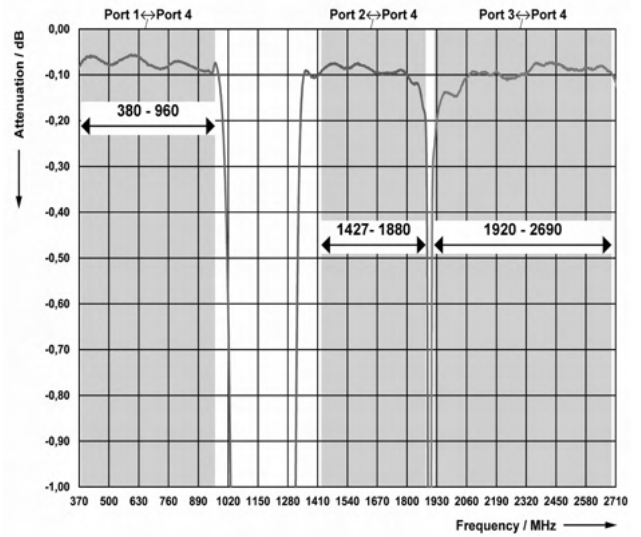
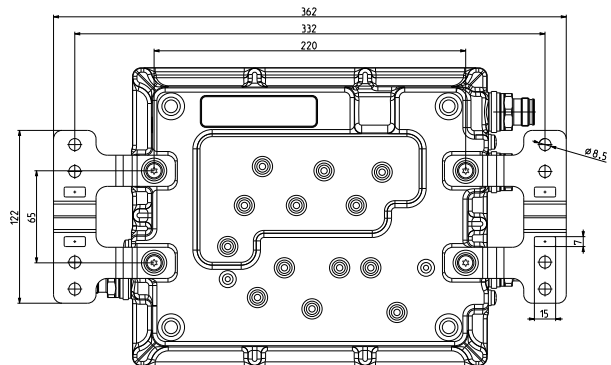
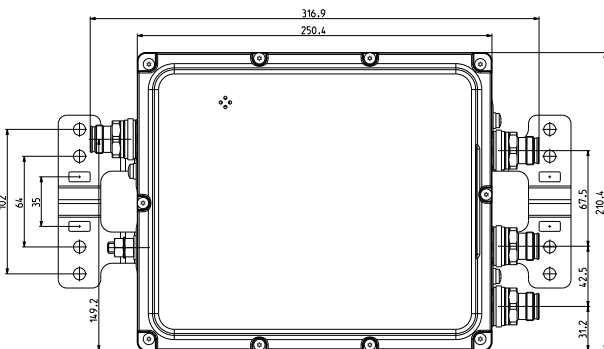
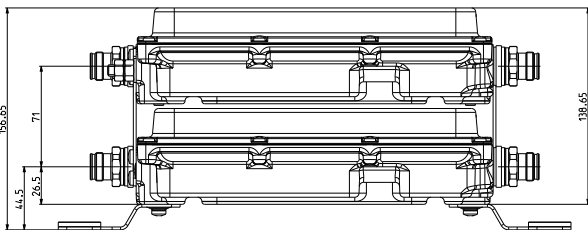
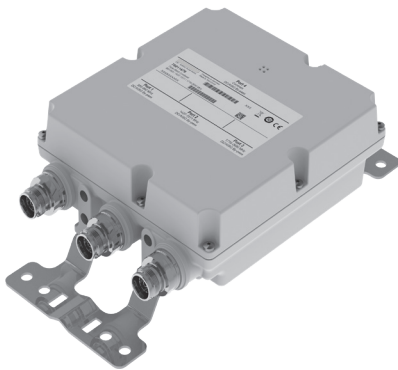


Diagram II

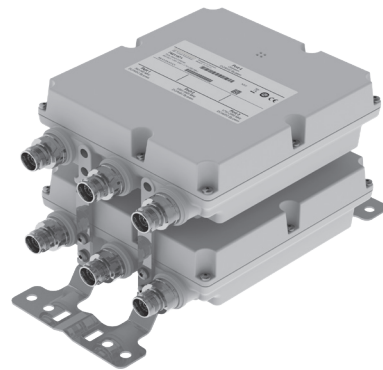


Dimensions in mm





Single Unit



Double Unit

# Triple-Band Combiner

78211570, 78211571,  
78211574, 78211575

380–960 MHz  
1427–1518 MHz  
1710–2690 MHz

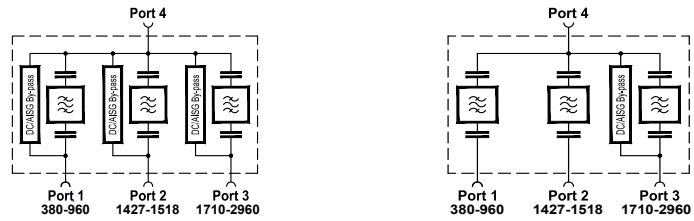
- Can be used as a combiner near the BTS or in a reciprocal function near the antenna
- Very low insertion loss
- Enables feeder sharing
- Designed for co-siting purposes
- Available as a single unit, or for XPol antennas as double unit
- Suitable for indoor and outdoor applications
- Wall or mast mounting
- Built-in lightning protection
- External DC stop available as an accessory



[ericsson.com/antenna-system](https://ericsson.com/antenna-system)



Scan or [click](#)



| Product No.              |         | 78211570<br>Single Unit  | clamps<br>included  | 78211574<br>Single Unit |
|--------------------------|---------|--|---------------------|-------------------------|
|                          |         | 78211571<br>Double Unit  |                     | 78211575<br>Double Unit |
| Pass band                |         |  |                     |                         |
| Band 1                   | MHz     | 380 – 960  |                     |                         |
| Band 2                   | MHz     | 1427 – 1518  |                     |                         |
| Band 3                   | MHz     | 1710 – 2690  |                     |                         |
| Insertion loss           |         |  |                     |                         |
| Port 1 ↔ Port 4          | dB      | < 0.2 (380 – 960 MHz)  |                     |                         |
| Port 2 ↔ Port 4          | dB      | < 0.2 (1427 – 1518 MHz)  |                     |                         |
| Port 3 ↔ Port 4          | dB      | < 0.3 (1710 – 2690 MHz)  |                     |                         |
| Isolation                | dB      | > 40   |                     |                         |
| VSWR                     |         | < 1.25   |                     |                         |
| Impedance                | Ω       | 50   |                     |                         |
| Input power              |         |  |                     |                         |
| Band 1 / Band 2 / Band 3 | W       | < 200 / < 200 / < 200  |                     |                         |
| Intermodulation products | dBc     | < -160 (3 <sup>rd</sup> order; with 2 x 20 W)  |                     |                         |
| Temperature range        | °C   °F | -40 ... +60   -40 ... +140   |                     |                         |
| Connectors               |         | 4.3-10 female  |                     |                         |
| Application              |         | Indoor or outdoor (IP 66)  |                     |                         |
| DC/AISG transparency     |         |  |                     |                         |
| Port 1 ↔ Port 4          | mA      | By-pass (max. 2500)  | Stop                |                         |
| Port 2 ↔ Port 4          | mA      | By-pass (max. 2500)  | Stop                |                         |
| Port 3 ↔ Port 4          | mA      | By-pass (max. 2500)  | By-pass (max. 2500) |                         |
| Lightning protection     | kA      | 3, 10/350 μs pulse   |                     |                         |
| Mounting                 | mm   in | Wall mounting: With 4 screws (max. 8   0.315 diameter)<br>Mast mounting: With included clamp set   |                     |                         |
| Weight                   | kg   lb | Single unit: 3.2   7.1 / Double unit: 6.3   13.9   |                     |                         |
| Dimensions (w x h x d)   | mm   in | Single Unit: 190 x 176 x 77   7.5 x 6.9 x 3.0<br>Double Unit: 190 x 176 x 161   7.5 x 6.9 x 6.3<br>(without connectors, without mounting brackets) |                     |                         |
| Packing size             | mm   in | Single Unit: 375 x 245 x 160   14.8 x 9.7 x 6.3<br>Double Unit: 375 x 245 x 245   14.8 x 9.7 x 9.7   |                     |                         |

**Accessories (included)**

| Product No. |         | Clamp set suitable for mast diameter of |
|-------------|---------|---|
| 734365      | mm   in | 45–125   1.77–4.92                      |

**Accessories (order separately)**

| Product No. |         | Description                    |
|-------------|---------|--------------------------------|
| 78210484    |         | 50-Ohm load                    |
| 78211000    |         | DC stop                        |
| 734360      | mm   in | Clamp set: 34–60   1.34–2.36   |
| 734364      | mm   in | Clamp set: 120–140   4.72–5.51 |

**Typical Attenuation Curves**

Diagram I

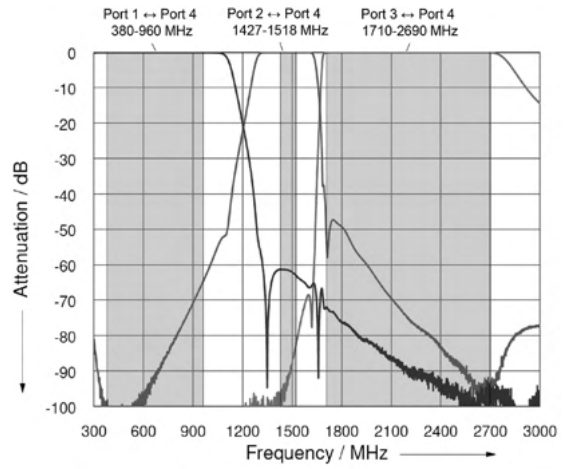
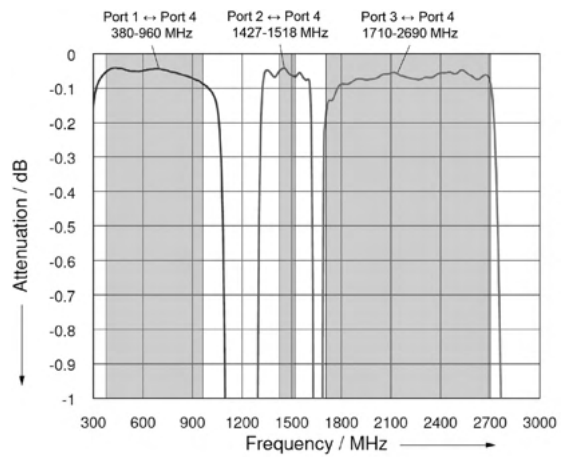
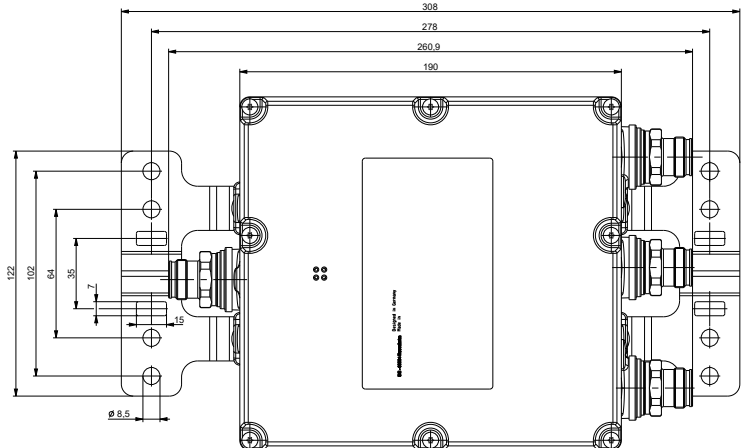
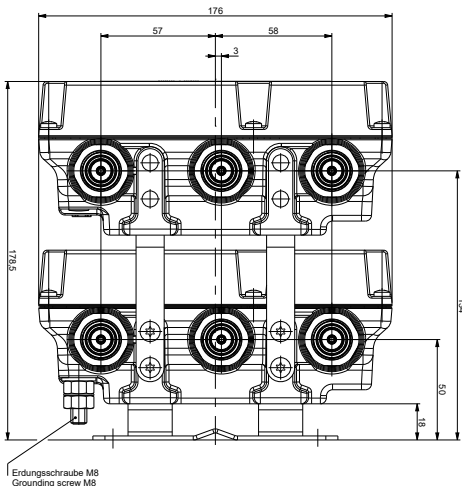
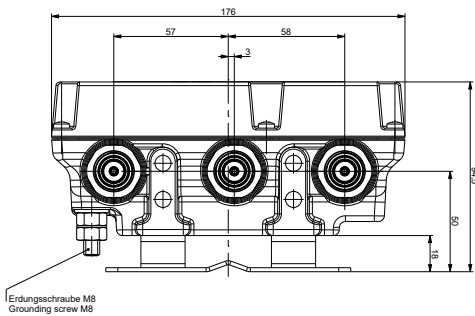
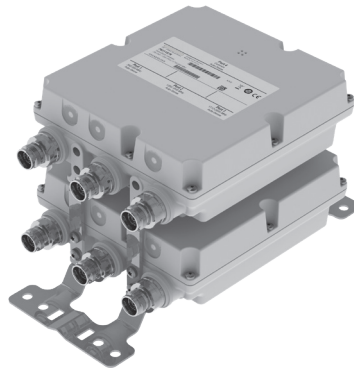


Diagram II



**Dimensions in mm**



AUTO-  
SENSE

Double Unit

# Triple-Band Combiner

78211578, 78211578V01

380–960 MHz  
1427–1518 MHz  
1710–2690 MHz

- Can be used as a combiner near the BTS or in a reciprocal function near the antenna
- Very low insertion loss
- Enables feeder sharing
- Designed for co-siting purposes
- Integrated Auto-Sense technology for automatic DC / AISG detection and bypass functionality
- Suitable for indoor or outdoor applications
- Wall or mast mounting
- Built-in lightning protection



[ericsson.com/antenna-system](https://ericsson.com/antenna-system)



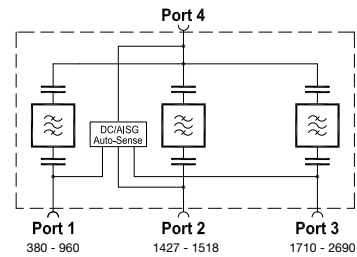
Scan or [click](#)



**Priority table for 78211578V01 with Priority Controlled Function**

|               |                      |
|---------------|----------------------|
| 380–960 MHz   | Priority 1 (highest) |
| 1427–1518 MHz | Priority 3 (lowest)  |
| 1710–2690 MHz | Priority 2           |

For more information see Auto-Sense quick guide later in this datasheet.



|  |         |  |                                  |
|--|---------|--|----------------------------------|
| <b>Product No.</b><br><b>DC/AISG transparency</b><br>1. First In - First Out Function<br>2. Priority Controlled Function |         | <b>78211578</b><br><b>78211578V01</b><br><b>Double Unit</b>                                      | <u>clamps</u><br><u>included</u> |
| Pass band  |         |  |                                  |
| Band 1   | MHz     | 380 – 960  |                                  |
| Band 2   | MHz     | 1427 – 1518  |                                  |
| Band 3   | MHz     | 1710 – 2690  |                                  |
| Insertion loss   |         |  |                                  |
| Port 1 ↔ Port 4  | dB      | < 0.2 (380 – 960 MHz)  |                                  |
| Port 2 ↔ Port 4  | dB      | < 0.2 (1427 – 1518 MHz)  |                                  |
| Port 3 ↔ Port 4  | dB      | < 0.3 (1710 – 2690 MHz)  |                                  |
| Isolation  | dB      | > 40   |                                  |
| VSWR   |         | < 1.25   |                                  |
| Impedance  | Ω       | 50   |                                  |
| Input power  |         |  |                                  |
| Band 1 / Band 2 / Band 3   | W       | < 200 / < 200 / < 200  |                                  |
| Intermodulation products   | dBc     | < -160 (3 <sup>rd</sup> order; with 2 x 20 W)  |                                  |
| Temperature range  | °C   °F | -40 ... +60   -40 ... +140   |                                  |
| Connectors   |         | 4.3-10 female  |                                  |
| Application  |         | Indoor or outdoor (IP 66)  |                                  |
| DC/AISG transparency   |         |  |                                  |
| Port 1, 2, 3 ↔ Port 4  | mA      | Auto-Sense (max. 2000)   |                                  |
| Lightning protection   | kA      | 3, 10/350 μs pulse   |                                  |
| Mounting   | mm   in | Wall mounting: With 4 screws (max. 8   0.315 diameter)<br>Mast mounting: With included clamp set |                                  |
| Weight   | kg   lb | 6.3   13.9   |                                  |
| Dimensions (w x h x d)   | mm   in | 190 x 176 x 161   7.5 x 6.9 x 6.3<br>(without connectors, without mounting brackets)             |                                  |
| Packing size   | mm   in | 375 x 245 x 245   14.8 x 9.7 x 9.7   |                                  |

**Accessories (included)**

| Product No. |         | Clamp set suitable for<br>mast diameter of |
|-------------|---------|--|
| 734365      | mm   in | 45–125   1.77–4.92                         |

**Accessories (order separately)**

| Product No. |         | Description                    |
|-------------|---------|--------------------------------|
| 78210484    |         | 50-Ohm load                    |
| 78211000    |         | DC stop                        |
| 734360      | mm   in | Clamp set: 34–60   1.34–2.36   |
| 734364      | mm   in | Clamp set: 120–140   4.72–5.51 |

Typical Attenuation Curves

Diagram I

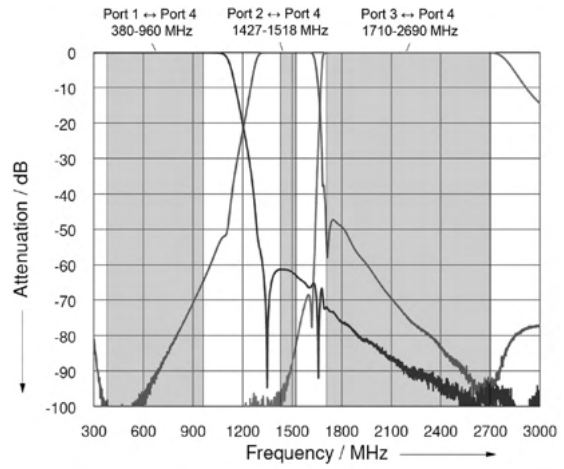
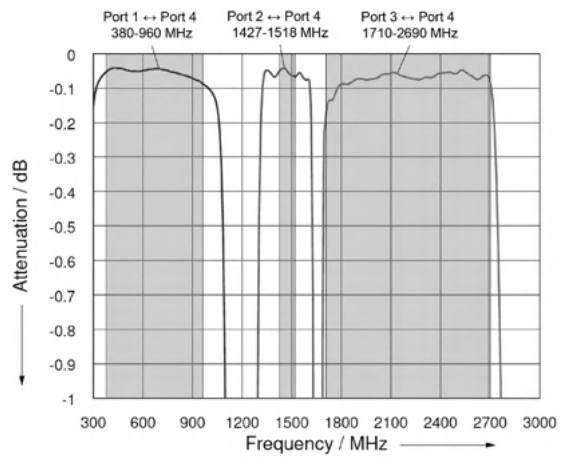
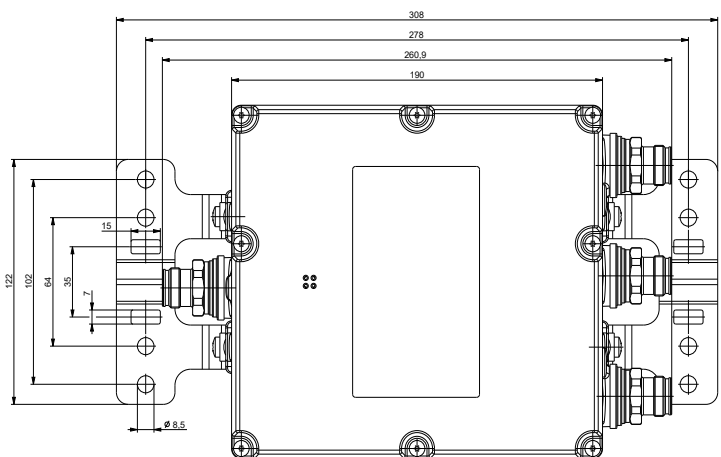
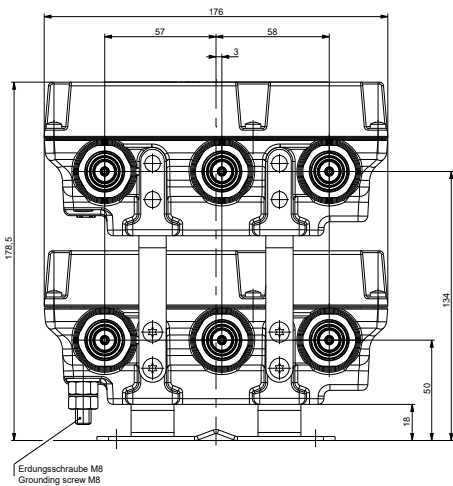
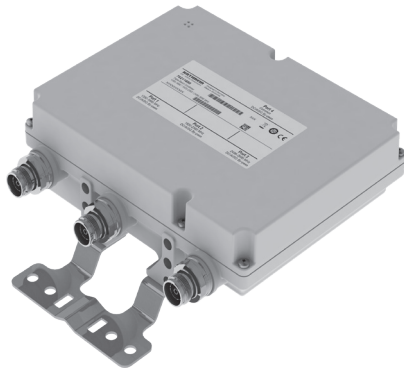


Diagram II

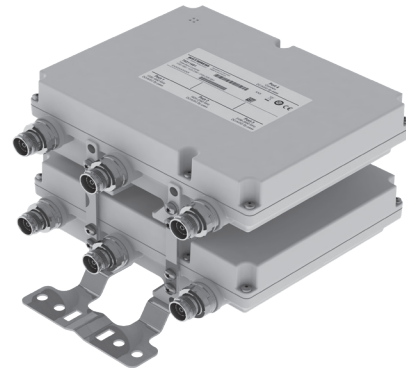


Dimensions in mm





Single Unit



Double Unit

# Triple-Band Combiner

78211690, 78211691

1427–1880 MHz  
1920–2360 MHz  
2496–2690 MHz

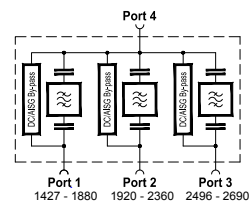
- Can be used as a combiner near the BTS or in a reciprocal function near the antenna
- Very low insertion loss
- Enables feeder sharing
- Designed for co-siting purposes
- Integrated Auto-Sense technology for automatic DC / AISG detection and bypass functionality
- Available as a single unit, or for XPol antennas as double unit
- Suitable for indoor or outdoor applications
- Wall or mast mounting
- Built-in lightning protection



[ericsson.com/antenna-system](https://ericsson.com/antenna-system)



Scan or [click](#)



|                                 |         |  |
|---------------------------------|---------|--|
| <b>Product No.</b>              |         | <b>78211690</b><br><b>Single Unit</b>  |
|                                 |         | <b>78211691</b><br><b>Double Unit</b>  |
| <b>Pass band</b>                |         |  |
| Band 1 (GSM/LTE1800)            | MHz     | 1427 – 1880  |
| Band 2 (UMTS2100)               | MHz     | 1920 – 2360  |
| Band 3 (2300 ... LTE2600)       | MHz     | 2496 – 2690  |
| <b>Insertion loss</b>           |         |  |
| Port 1 ↔ Port 4                 | dB      | < 0.5 (typ. 0.2 dB)  |
| Port 2 ↔ Port 4                 | dB      | < 0.5 (typ. 0.2 dB)  |
| Port 3 ↔ Port 4                 | dB      | < 0.5 (typ. 0.2 dB)  |
| <b>Isolation</b>                |         |  |
| Port 1 ↔ Port 2                 | dB      | > 45 (1427 – 1880 / 1920 – 2360 MHz)   |
| Port 1 ↔ Port 3                 | dB      | > 45 (1427 – 1880 / 2496 – 2690 MHz)   |
| Port 2 ↔ Port 3                 | dB      | > 45 (1920 – 2360 / 2496 – 2690 MHz)   |
| <b>VSWR</b>                     |         | < 1.25   |
| <b>Impedance</b>                | Ω       | 50   |
| <b>Input power</b>              |         |  |
| Band 1 / Band 2 / Band 3        | W       | < 150 / < 150 / < 150  |
| <b>Intermodulation products</b> | dBc     | < -160 (3 <sup>rd</sup> order; with 2 x 20 W)  |
| <b>Temperature range</b>        | °C   °F | -40 ... +60   -40 ... +140   |
| <b>Connectors</b>               |         | 4.3-10 female  |
| <b>Application</b>              |         | Indoor or outdoor (IP 66)  |
| <b>DC/AISG transparency</b>     |         |  |
| Port 1 ↔ Port 4                 | mA      | By-pass (max. 2500)  |
| Port 2 ↔ Port 4                 | mA      | By-pass (max. 2500)  |
| Port 3 ↔ Port 4                 | mA      | By-pass (max. 2500)  |
| <b>Lightning protection</b>     | kA      | 3, 10/350 μs pulse   |
| <b>Mounting</b>                 |         | Wall mounting: With 4 screws (max. 8 mm diameter)<br>Mast mounting: With additional clamp set  |
| <b>Weight</b>                   | kg   lb | Single unit: 3.0   6.6 / Double unit: 6.0   13.2   |
| <b>Dimensions (w x h x d)</b>   | mm   in | Single unit: 225 x 176 x 75   8.9 x 6.9 x 3.0<br>Double unit: 225 x 176 x 156   8.9 x 6.9 x 6.1<br>(without connectors, without mounting brackets) |
| <b>Packing size</b>             | mm   in | Single unit: 367 x 289 x 152   14.4 x 11.4 x 6.0<br>Double unit: 367 x 289 x 233   14.4 x 11.4 x 9.2   |

**Accessories (order separately)**

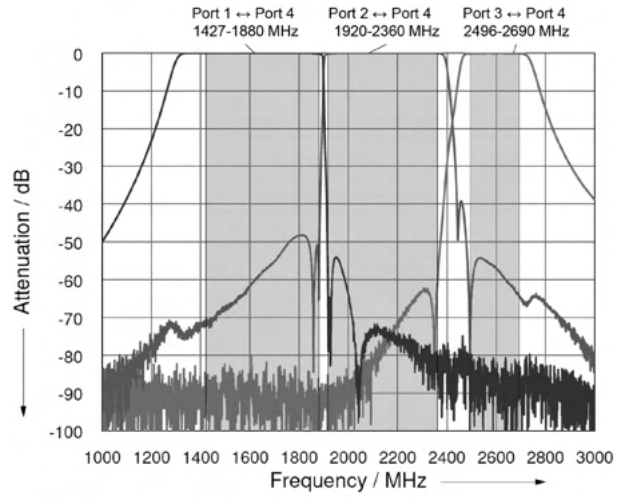
| Product No. |         | Clamp set suitable for<br>most diameter of |
|-------------|---------|--|
| 734360      | mm   in | 34–60   1.34–2.36                          |
| 734364      | mm   in | 120–140   4.72–5.51                        |
| 734365      | mm   in | 45–125   1.77–4.92                         |

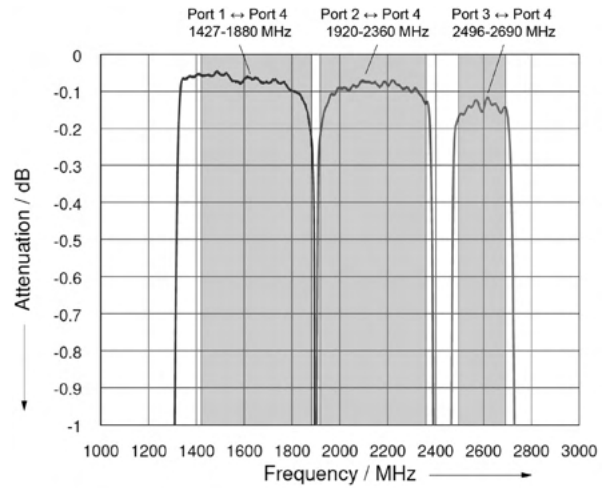
| Product No. | Description |
|-------------|-------------|
| 78210484    | 50-Ohm load |
| 78211000    | DC stop     |

**Typical Attenuation Curves**

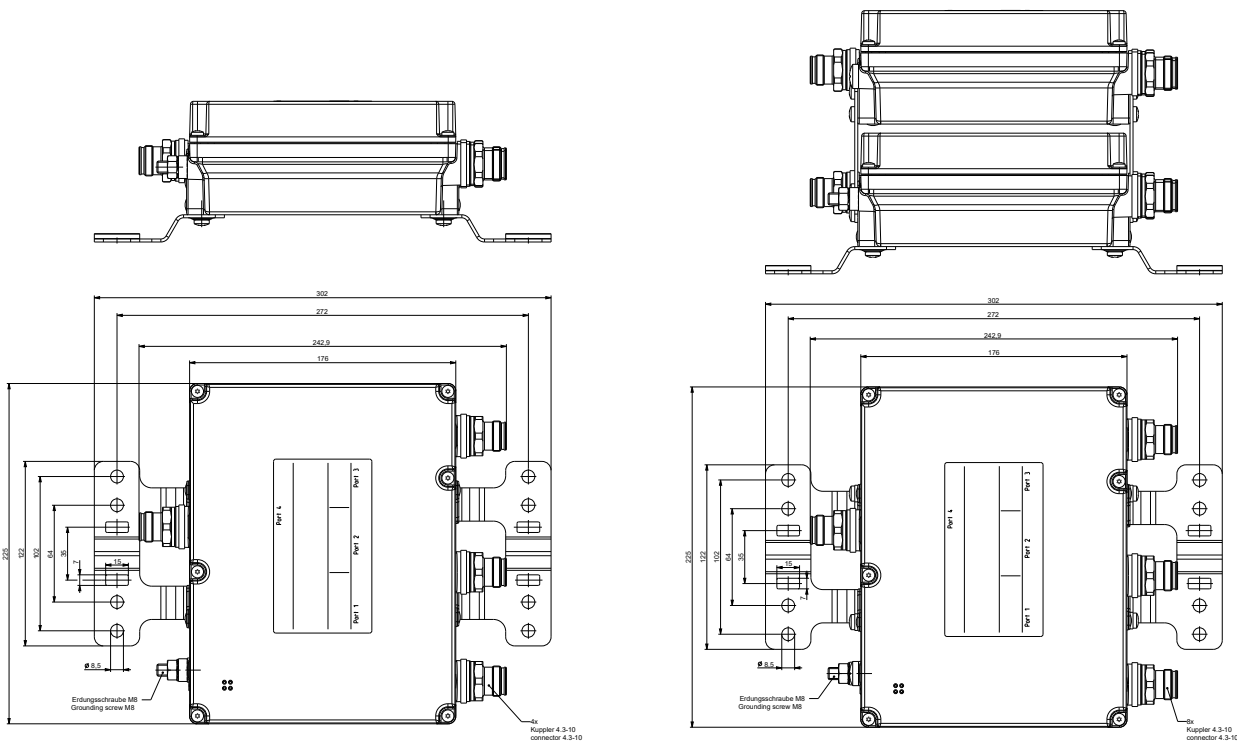
**Diagram I**

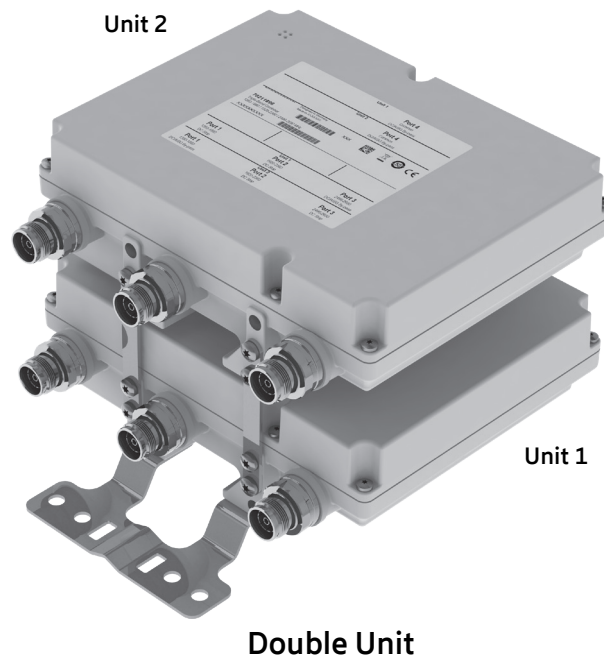


**Diagram II**



**Dimensions in mm**





# Triple-Band Combiner

78211696

1427–1880 MHz  
1920–2360 MHz  
2496–2690 MHz

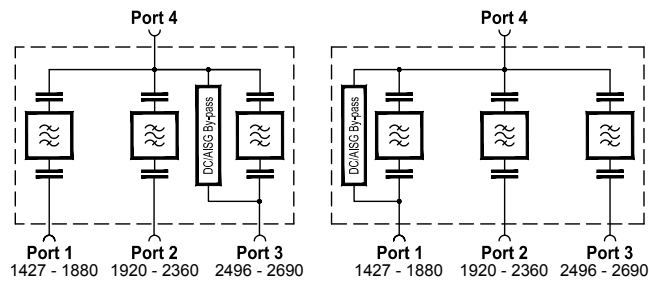
- Can be used as a combiner near the BTS or in a reciprocal function near the antenna
- Very low insertion loss
- Enables feeder sharing
- Designed for co-siting purposes
- Suitable for indoor and outdoor applications
- Wall or mast mounting
- Built-in lightning protection
- External DC stop available as an accessory



[ericsson.com/antenna-system](https://ericsson.com/antenna-system)



Scan or [click](#)



| Product No.               |         | 78211696<br>Double Unit   |                     |
|---------------------------|---------|---|---------------------|
| Pass band                 |         |   |                     |
| Band 1 (GSM/LTE1800)      | MHz     | 1427 – 1880   |                     |
| Band 2 (UMTS2100)         | MHz     | 1920 – 2360   |                     |
| Band 3 (2300 ... LTE2600) | MHz     | 2496 – 2690   |                     |
| Insertion loss            |         |   |                     |
| Port 1 ↔ Port 4           | dB      | < 0.5 (typ. 0.2 dB)   |                     |
| Port 2 ↔ Port 4           | dB      | < 0.5 (typ. 0.2 dB)   |                     |
| Port 3 ↔ Port 4           | dB      | < 0.5 (typ. 0.2 dB)   |                     |
| Isolation                 |         |   |                     |
| Port 1 ↔ Port 2           | dB      | > 45 (1427 – 1880 / 1920 – 2360 MHz)  |                     |
| Port 1 ↔ Port 3           | dB      | > 45 (1427 – 1880 / 2496 – 2690 MHz)  |                     |
| Port 2 ↔ Port 3           | dB      | > 45 (1920 – 2360 / 2496 – 2690 MHz)  |                     |
| VSWR                      |         | < 1.25  |                     |
| Impedance                 | Ω       | 50  |                     |
| Input power               |         |   |                     |
| Band 1 / Band 2 / Band 3  | W       | < 150 / < 150 / < 150   |                     |
| Intermodulation products  | dBc     | < -160 (3 <sup>rd</sup> order; with 2 x 20 W)   |                     |
| Temperature range         | °C   °F | -40 ... +60   -40 ... +140  |                     |
| Connectors                |         | 4.3-10 female   |                     |
| Application               |         | Indoor or outdoor (IP 66)   |                     |
| DC/AISG transparency      |         | Unit 1  | Unit 2              |
| Port 1 ↔ Port 4           | mA      | Stop  | By-pass (max. 2500) |
| Port 2 ↔ Port 4           | mA      | Stop  | Stop                |
| Port 3 ↔ Port 4           | mA      | By-pass (max. 2500)   | Stop                |
| Lightning protection      | kA      | 3, 10/350 μs pulse  |                     |
| Mounting                  |         | Wall mounting: With 4 screws (max. 8 mm diameter)<br>Mast mounting: With additional clamp set |                     |
| Weight                    | kg   lb | 6.0   13.2  |                     |
| Packing size              | mm   in | 367 x 289 x 233   14.4 x 11.4 x 9.2   |                     |
| Dimensions (w x h x d)    | mm   in | 225 x 176 x 156   8.9 x 6.9 x 6.1<br>(without connectors, without mounting brackets)          |                     |

Accessories (order separately)

| Product No. |         | Clamp set suitable for<br>mast diameter of |
|-------------|---------|--|
| 734360      | mm   in | 34–60   1.34–2.36                          |
| 734364      | mm   in | 120–140   4.72–5.51                        |
| 734365      | mm   in | 45–125   1.77–4.92                         |

| Product No. | Description |
|-------------|-------------|
| 78210484    | 50-Ohm load |
| 78211000    | DC stop     |

Typical Attenuation Curves

Diagram I

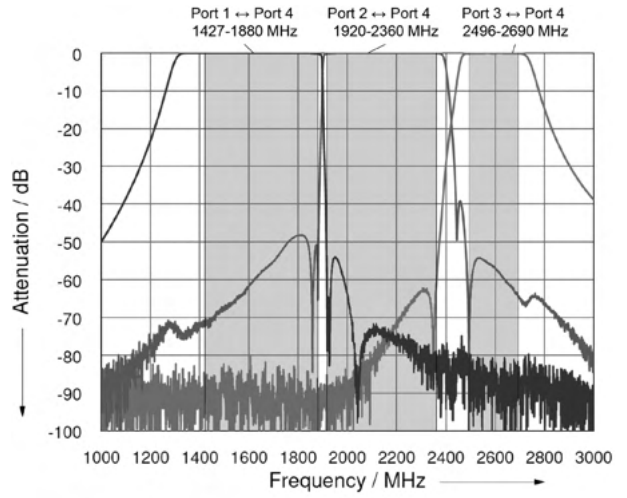
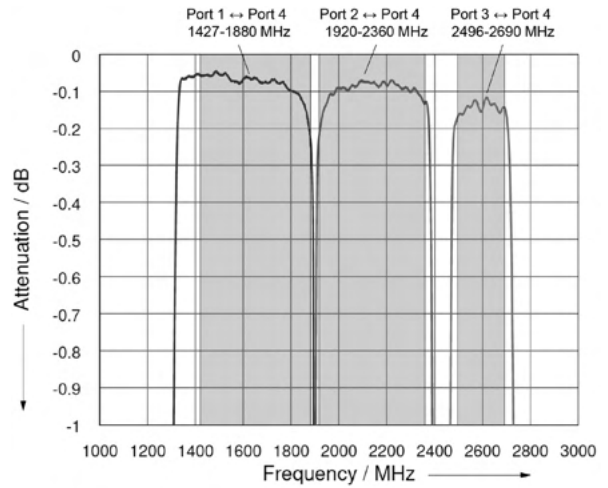
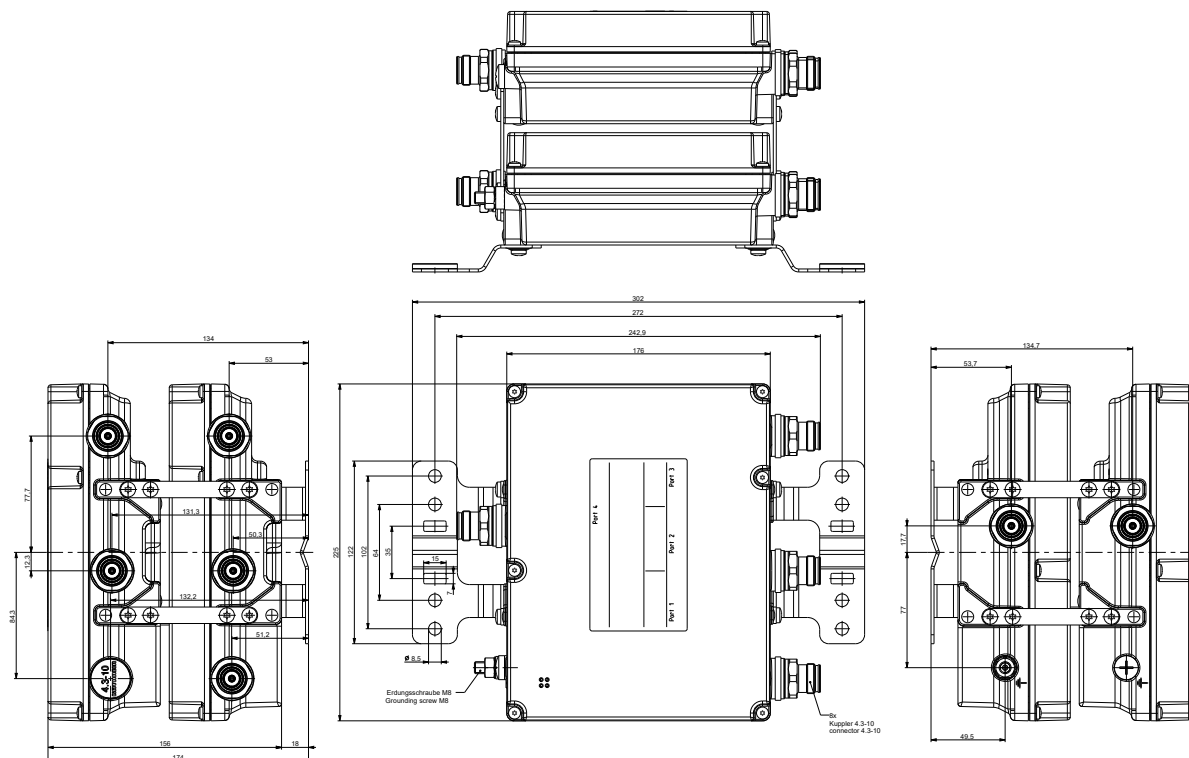


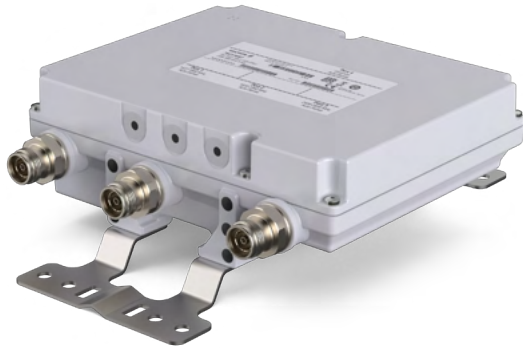
Diagram II



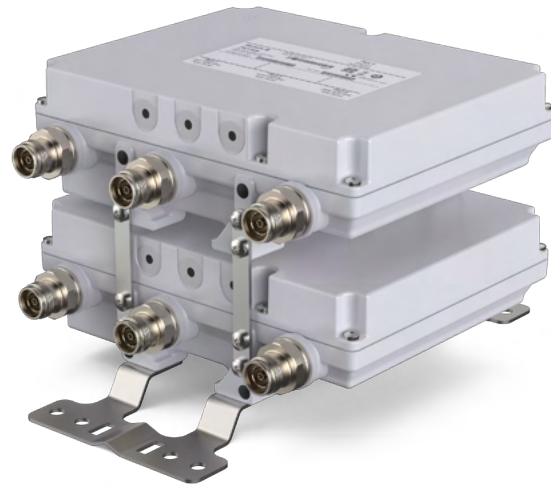
Dimensions in mm





AUTO-  
SENSE

Single Unit



Double Unit

# Triple-Band Combiner

78211697, 78211697V01,  
78211698, 78211698V01

1427–1880 MHz  
1920–2360 MHz  
2496–2690 MHz

- Can be used as a combiner near the BTS or in a reciprocal function near the antenna
- Very low insertion loss
- Enables feeder sharing
- Designed for co-siting purposes
- Integrated Auto-Sense technology for automatic DC / AISG detection and bypass functionality
- Available as a single unit, or for XPol antennas as a double unit
- Suitable for indoor and outdoor applications
- Wall or mast mounting
- Built-in lightning protection



[ericsson.com/antenna-system](https://ericsson.com/antenna-system)

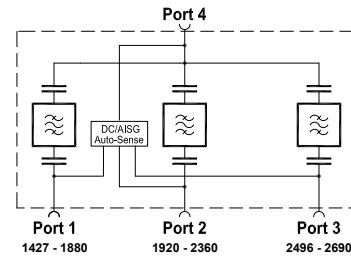


Scan or [click](#)

**Priority table for the variants 78211697V01 and 78211698V01 with Priority Controlled Function**

|               |                      |
|---------------|----------------------|
| 1427–1880 MHz | Priority 3 (lowest)  |
| 1920–2360 MHz | Priority 2           |
| 2496–2690 MHz | Priority 1 (highest) |

For more information see Auto-Sense quick guide later in this datasheet.

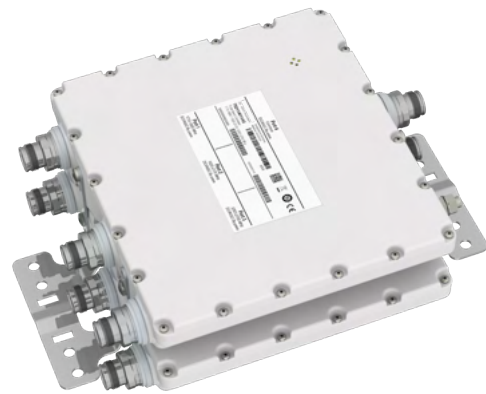


| Product No.<br>DC/AISG transparency<br>1. First In - First Out Function<br>2. Priority Controlled Function |         | 78211697<br>78211697V01<br>Single Unit   | 78211698<br>78211698V01<br>Double Unit |
|--|---------|--|--|
| Pass band  |         |  |  |
| Band 1   | MHz     | 1427 – 1880  |  |
| Band 2   | MHz     | 1920 – 2360  |  |
| Band 3   | MHz     | 2496 – 2690  |  |
| Insertion loss   |         |  |  |
| Port 1 ↔ Port 4  | dB      | < 0.5 (typ. 0.2 dB)  |  |
| Port 2 ↔ Port 4  | dB      | < 0.5 (typ. 0.2 dB)  |  |
| Port 3 ↔ Port 4  | dB      | < 0.5 (typ. 0.2 dB)  |  |
| Isolation  |         |  |  |
| Port 1 ↔ Port 2  | dB      | > 45 (1427 – 1880 / 1920 – 2360 MHz)   |  |
| Port 1 ↔ Port 3  | dB      | > 45 (1427 – 1880 / 2496 – 2690 MHz)   |  |
| Port 2 ↔ Port 3  | dB      | > 45 (1920 – 2360 / 2496 – 2690 MHz)   |  |
| VSWR   |         | < 1.25   |  |
| Impedance  | Ω       | 50   |  |
| Input power  |         |  |  |
| Band 1 / Band 2 / Band 3   | W       | < 150 / < 150 / < 150  |  |
| Intermodulation products   | dBc     | < -160 (3 <sup>rd</sup> order; with 2 x 20 W)  |  |
| Temperature range  | °C   °F | -40 ... +60   -40 ... +140   |  |
| Connectors   |         | 4.3-10 female  |  |
| Application  |         | Indoor or outdoor (IP 66)  |  |
| DC/AISG transparency   |         |  |  |
| Port 1, 2, 3 ↔ Port 4  | mA      | Auto-Sense (max. 2000)   |  |
| Lightning protection   | kA      | 3, 10/350 μs pulse   |  |
| Mounting   |         | Wall mounting: With 4 screws (max. 8 mm diameter)<br>Mast mounting: With additional clamp set  |  |
| Weight   | kg   lb | Single unit: 3.0   6.6 / Double unit: 6.0   13.2   |  |
| Dimensions (w x h x d)   | mm   in | Single unit: 225 x 176 x 75   8.9 x 6.9 x 3.0<br>Double unit: 225 x 176 x 156   8.9 x 6.9 x 6.1<br>(without connectors, without mounting brackets) |  |
| Packing size   | mm   in | Single unit: 367 x 289 x 152   14.4 x 11.4 x 6.0<br>Double unit: 367 x 289 x 233   14.4 x 11.4 x 9.2   |  |





Single Unit



Double Unit

# Triple-Band Combiner

78211400V43, 78211401V43, 78211402V43

78211403V43, 78211404V43, 78211405V43

1710–1880 MHz

1920–2170 MHz

2300–2700 MHz

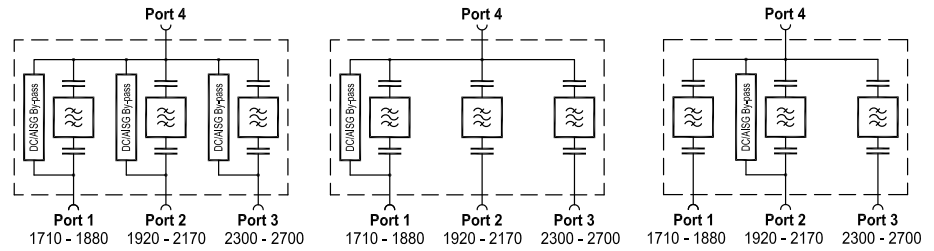
- Can be used as a combiner near the BTS or in a reciprocal function near the antenna
- Very low insertion loss
- Enables feeder sharing
- Designed for co-siting purposes
- Suitable for indoor and outdoor applications
- Wall or mast mounting
- Built-in lightning protection
- External DC stop available as an accessory



[ericsson.com/antenna-system](https://ericsson.com/antenna-system)



Scan or [click](#)



| Product No.              |         | 78211400V43<br>Single Unit  | 78211402V43<br>Single Unit | 78211404V43<br>Single Unit |
|--------------------------|---------|---|----------------------------|----------------------------|
|                          |         | 78211401V43<br>Double Unit  | 78211403V43<br>Double Unit | 78211405V43<br>Double Unit |
| Pass band                |         |   |                            |                            |
| Band 1                   | MHz     | 1710 – 1880   |                            |                            |
| Band 2                   | MHz     | 1920 – 2170   |                            |                            |
| Band 3                   | MHz     | 2300 – 2700   |                            |                            |
| Insertion loss           |         |   |                            |                            |
| Port 1 ↔ Port 4          | dB      | < 0.3 (typ. 0.1)  |                            |                            |
| Port 2 ↔ Port 4          | dB      | < 0.3 (typ. 0.1)  |                            |                            |
| Port 3 ↔ Port 4          | dB      | < 0.3 (typ. 0.1)  |                            |                            |
| Isolation                |         |   |                            |                            |
| Port 1 ↔ Port 2          | dB      | > 50 (1710 – 1880 / 1920 – 2170 MHz)  |                            |                            |
| Port 1 ↔ Port 3          | dB      | > 50 (1710 – 1880 / 2300 – 2700 MHz)  |                            |                            |
| Port 2 ↔ Port 3          | dB      | > 50 (1920 – 2170 / 2300 – 2700 MHz)  |                            |                            |
| VSWR                     |         | < 1.25  |                            |                            |
| Impedance                | Ω       | 50  |                            |                            |
| Input power              | W       |   |                            |                            |
| Band 1 / Band 2 / Band 3 |         | < 200 / < 200 / < 200   |                            |                            |
| Intermodulation products | dBc     | < -160 (3 <sup>rd</sup> order; with 2 x 20 W)   |                            |                            |
| Temperature range        | °C   °F | -55 ... +60   -67 ... +140  |                            |                            |
| Connectors               |         | 4.3-10 female   |                            |                            |
| Application              |         | Indoor or outdoor (IP 66)   |                            |                            |
| DC/AISG transparency     |         |   |                            |                            |
| Port 1 ↔ Port 4          | mA      | By-pass (max. 2500)   | By-pass (max. 2500)        | Stop                       |
| Port 2 ↔ Port 4          | mA      | By-pass (max. 2500)   | Stop                       | By-pass (max. 2500)        |
| Port 3 ↔ Port 4          | mA      | By-pass (max. 2500)   | Stop                       | Stop                       |
| Lightning protection     | kA      | 3, 10/350 μs pulse  |                            |                            |
| Mounting                 |         | Wall mounting: With 4 screws (max. diameter [mm   in] 8   0.315)<br>Mast mounting: With additional clamp set                                      |                            |                            |
| Weight                   | kg   lb | Single unit: 3.3   7.3<br>Double unit: 6.7   14.8   |                            |                            |
| Dimensions (w x h x d)   | mm   in | Single unit: 235 x 217 x 46   9.3 x 8.5 x 1.8<br>Double unit: 235 x 217 x 97   9.3 x 8.5 x 3.8<br>(without connectors, without mounting brackets) |                            |                            |
| Packing size             | mm   in | Single unit: 405 x 325 x 155   15.9 x 12.8 x 6.1<br>Double unit: 405 x 325 x 205   15.9 x 12.8 x 8.1  |                            |                            |

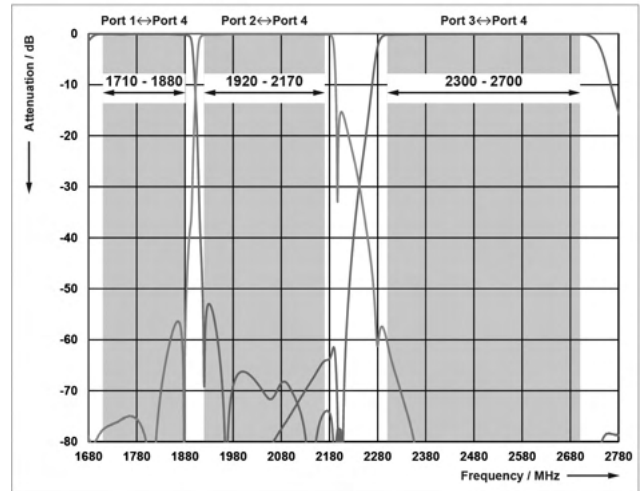
**Accessories (order separately)**

| Product No. |         | Clamp set suitable for<br>most diameter of |
|-------------|---------|--|
| 734360      | mm   in | 34–60   1.34–2.36                          |
| 734364      | mm   in | 120–140   4.72–5.51                        |
| 734365      | mm   in | 45–125   1.77–4.92                         |

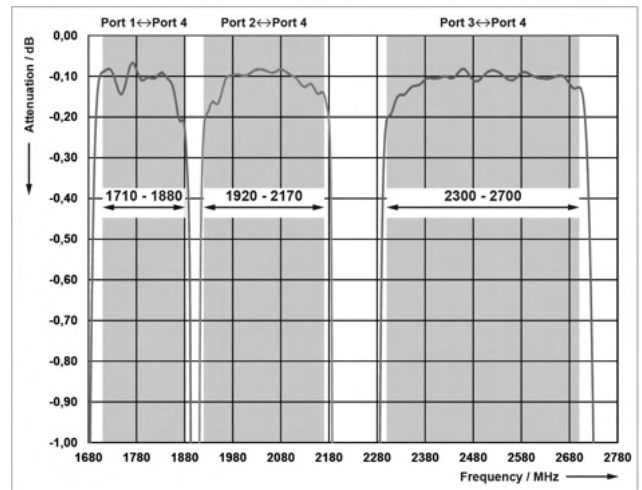
| Product No. | Description |
|-------------|-------------|
| 78210484    | 50-Ohm load |
| 78211000    | DC stop     |

**Typical Attenuation Curves**

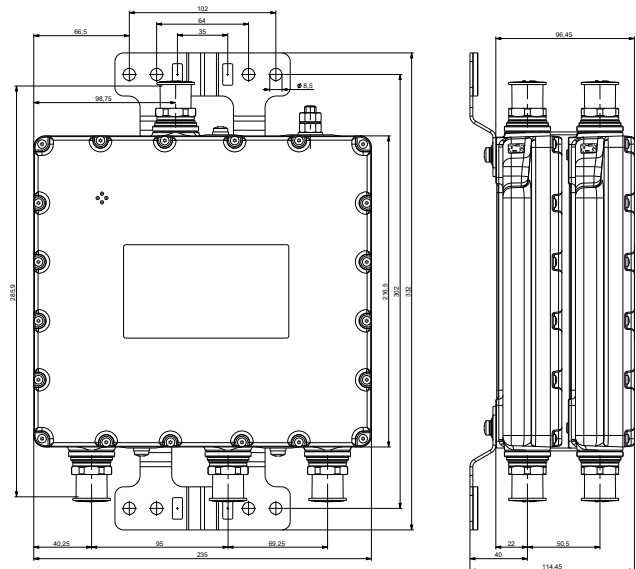
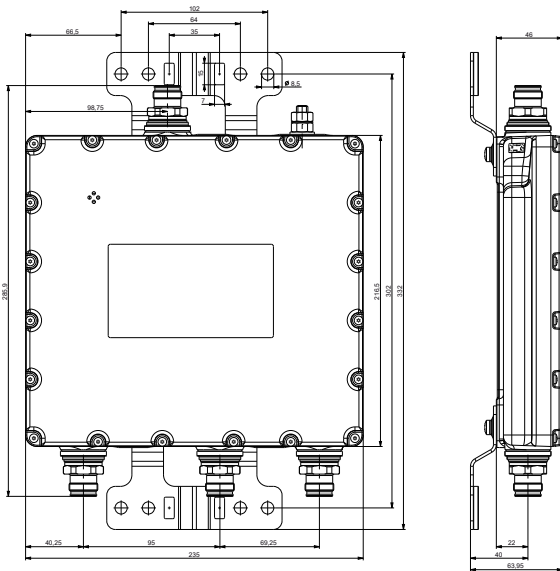
**Diagram I**

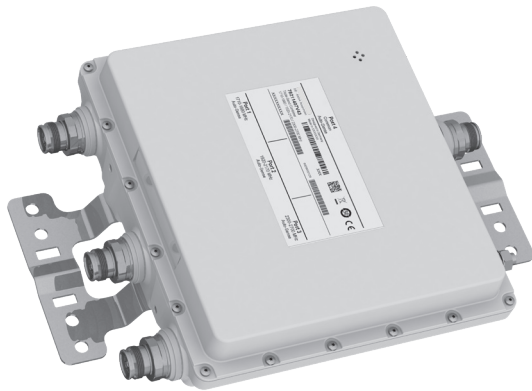


**Diagram II**

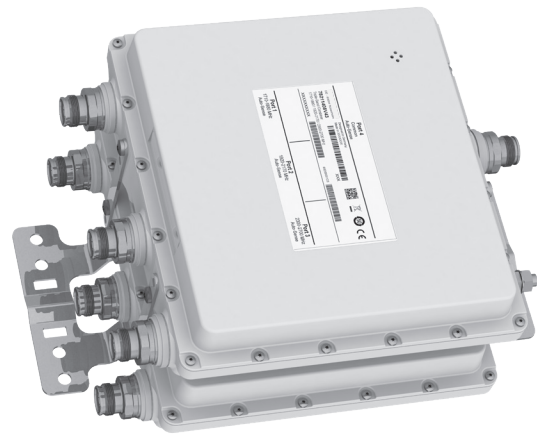


**Dimensions in mm**



AUTO-  
SENSE

Single Unit



Double Unit

# Triple-Band Combiner

78211407V43, 78211407V44,  
78211408V43, 78211408V44

1710–1880 MHz  
1920–2170 MHz  
2300–2700 MHz

- Can be used as a combiner near the BTS or in a reciprocal function near the antenna
- Very low insertion loss
- Enables feeder sharing
- Designed for co-siting purposes
- Integrated Auto-Sense technology for automatic DC / AISG detection and bypass functionality
- Available as a single unit, or for XPol antennas as a double unit
- Suitable for indoor and outdoor applications
- Wall or mast mounting
- Built-in lightning protection



[ericsson.com/antenna-system](https://ericsson.com/antenna-system)

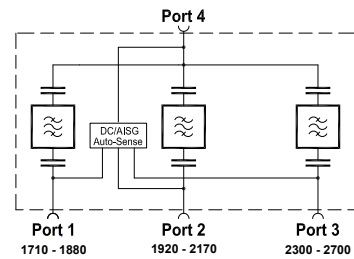


Scan or [click](#)

**Priority table for the variants 78211407V44 and 78211408V44 with Priority Controlled Function**

|               |                      |
|---------------|----------------------|
| 1710–1880 MHz | Priority 3 (lowest)  |
| 1920–2170 MHz | Priority 2           |
| 2300–2700 MHz | Priority 1 (highest) |

For more information see Auto-Sense quick guide later in this datasheet.



| Product No.<br>DC/AISG transparency<br>1. First In - First Out Function<br>2. Priority Controlled Function |         | 78211407V43<br>78211407V44<br>Single Unit  | 78211408V43<br>78211408V44<br>Double Unit |
|--|---------|--|---|
| Pass band  |         |  |   |
| Band 1   | MHz     | 1710 – 1880  |   |
| Band 2   | MHz     | 1920 – 2170  |   |
| Band 3   | MHz     | 2300 – 2700  |   |
| Insertion loss   |         |  |   |
| Port 1 ↔ Port 4  | dB      | < 0.3 (typ. 0.1 dB)  |   |
| Port 2 ↔ Port 4  | dB      | < 0.3 (typ. 0.1 dB)  |   |
| Port 3 ↔ Port 4  | dB      | < 0.3 (typ. 0.1 dB)  |   |
| Isolation  |         |  |   |
| Port 1 ↔ Port 2  | dB      | > 50 (1710 – 1880 / 1920 – 2170 MHz)   |   |
| Port 1 ↔ Port 3  | dB      | > 50 (1710 – 1880 / 2300 – 2700 MHz)   |   |
| Port 2 ↔ Port 3  | dB      | > 50 (1920 – 2170 / 2300 – 2700 MHz)   |   |
| VSWR   |         | < 1.25   |   |
| Impedance  | Ω       | 50   |   |
| Input power  |         |  |   |
| Band 1 / Band 2 / Band 3   | W       | < 200 / < 200 / < 200  |   |
| Intermodulation products   | dBc     | < -160 (3 <sup>rd</sup> order; with 2 x 20 W)  |   |
| Temperature range  | °C   °F | -55 ... +60   -67 ... +140   |   |
| Connectors   |         | 4.3-10 female  |   |
| Application  |         | Indoor or outdoor (IP 66)  |   |
| DC/AISG transparency   |         |  |   |
| Port 1, 2, 3 ↔ Port 4  | mA      | Auto-Sense (max. 2000)   |   |
| Lightning protection   | kA      | 3, 10/350 μs pulse   |   |
| Mounting   |         | Wall mounting: With 4 screws (max. 8 mm diameter)<br>Mast mounting: With additional clamp set  |   |
| Weight   | kg   lb | Single unit: 3.4   7.5 / Double unit: 6.9   15.2   |   |
| Dimensions (w x h x d)   | mm   in | Single unit: 235 x 217 x 64   9.3 x 8.5 x 2.5<br>Double unit: 235 x 217 x 135   9.3 x 8.5 x 5.3<br>(without connectors, without mounting brackets) |   |
| Packing size   | mm   in | Single unit: 404 x 324 x 175   15.9 x 12.8 x 6.9<br>Double unit: 404 x 324 x 245   15.9 x 12.8 x 9.6   |   |



Accessories (order separately)

| Product No. |         | Clamp set suitable for<br>most diameter of |
|-------------|---------|--|
| 734360      | mm   in | 34–60   1.34–2.36                          |
| 734364      | mm   in | 120–140   4.72–5.51                        |
| 734365      | mm   in | 45–125   1.77–4.92                         |

| Product No. | Description |
|-------------|-------------|
| 78210484    | 50-Ohm load |
| 78211000    | DC stop     |

Typical Attenuation Curves

Diagram I

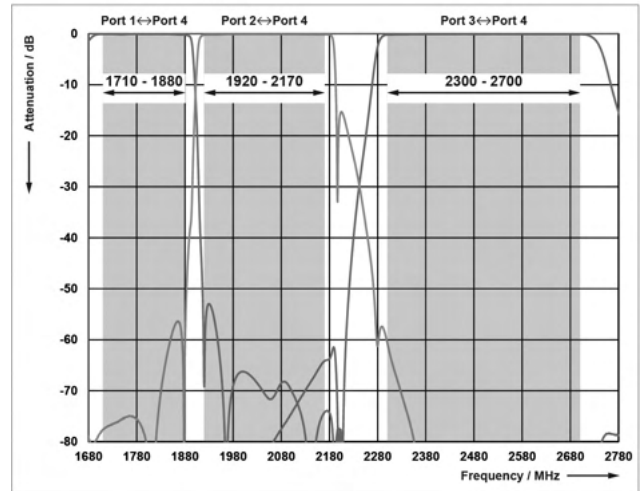
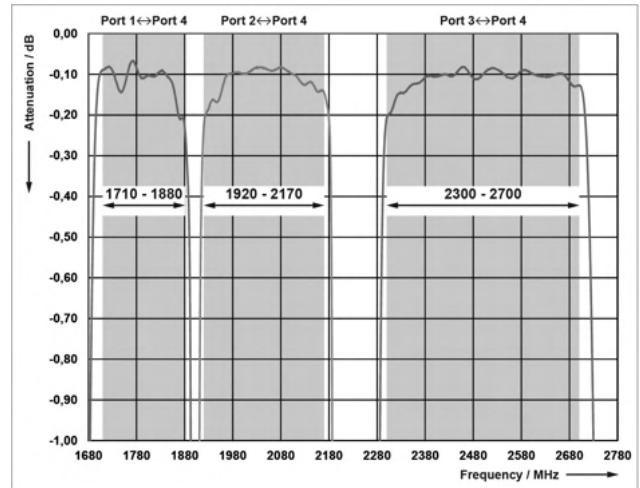
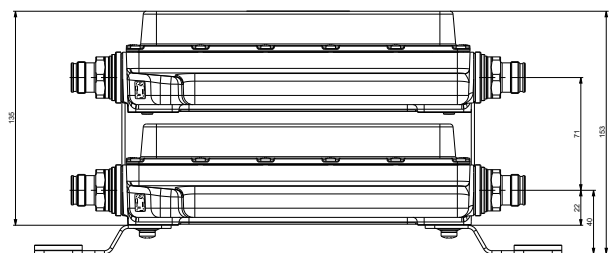
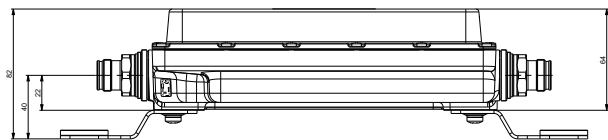
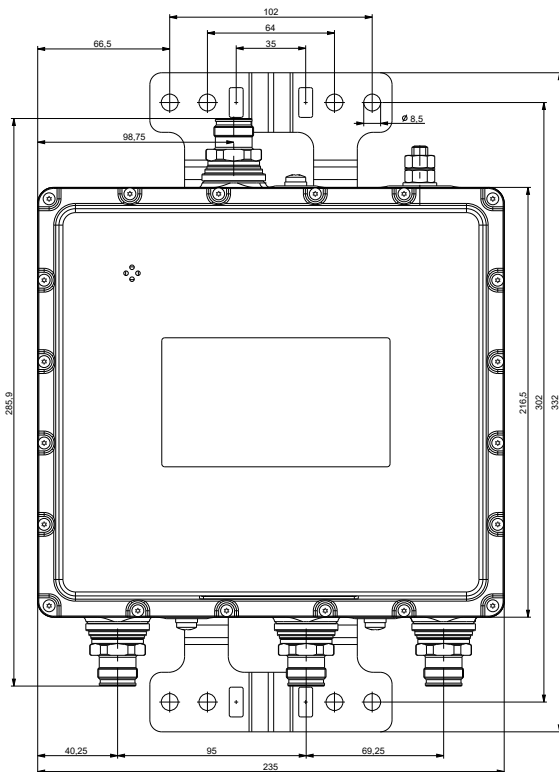


Diagram II



Dimensions in mm





Double Unit



Double Unit

# Triple-Band Combiner

KRF 102 449/1, KRF 102 449/2

1710–1780 MHz, 2110–2180 MHz  
1850–1995 MHz  
2496–2690 MHz

- High out of band rejection
- Low insertion loss
- IP67
- Wall mounting brackets and pole clamps included for KRF 102 449/2
- Designed for Ericsson and non-Ericsson system compatibility



[ericsson.com/antenna-system](https://ericsson.com/antenna-system)



Scan or [click](#)

| Product No.  |     | KRF 102 449/1<br>Double Unit<br>(without bracket)   | KRF 102 449/2<br>Double Unit<br>(with bracket) |
|--|-----|---|--|
| <b>Electrical Specifications</b>   |     |   |  |
| Frequency range<br>- B66A:<br><br>- B25:<br>- B42:   | MHz | 1710–1780<br>2110–2180<br>1850–1995<br>2496–2690  |  |
| Insertion loss<br>- B66A<br>- 1710–1780 MHz:<br>- 2110–2180 MHz:<br>- B25:<br>- B42:   | dB  | 0.33*<br>0.31*<br>0.29*<br>0.26*  |  |
| Return loss  | dB  | > 20  |  |
| Isolation<br>- Between port B66 and port B25:<br>- Between port B66 and port B41:<br>- Between port B25 and port B41:<br>- Between branches**: | dB  | > 40<br>> 50<br>> 50<br>> 60  |  |
| Intermodulation<br>- IM3 at 2×43 dBm:<br>- IM5 at 2×43 dBm:  | dBm | < -115<br>< -123  |  |
| Power handling (continuous)<br>- B66A and B25:<br>- B41:   | W   | 20 per port<br>25   |  |
| DC configuration   |     | No DC/AISG bypass   |  |
| <b>Mechanical Specifications*</b>  |     |   |  |
| Dimensions (H×W×D)   | mm  | 135 × 210 × 43  |  |
| Weight   | kg  | 2.0   | 2.4  |
| Volume   | L   | 1.22  |  |
| RF connectors<br>- COM ports:<br>- RF ports:   |     | 4.3-10 (f)<br>NEX10 (f)   |  |
| Mounting options   |     | Cabinet   | Pole or wall                                   |
| <b>Environmental Specifications*</b>   |     |   |  |
| Temperature range  | °C  | -40 to +55  |  |
| IP class   |     | IP67  |  |
| Lightning protection   |     | 5 kA 10/350 μs, 20 kA 8/20 μs (Common mode)   |  |
| Product safety   |     | International (CB): IEC 62368-1<br>Europe (CE): EN 62368-1<br>North America: CSA/UL 62368-1 |  |

\* Typical values

\*\* From one port in one branch to any other port in any other branch



Single Unit



Double Unit

# Quad-Band Combiner

78211580, 78211581, 78211582,  
78211583, 78211584, 78211585

380–960 MHz  
1427–1880 MHz  
1920–2200 MHz  
2300–2690 MHz

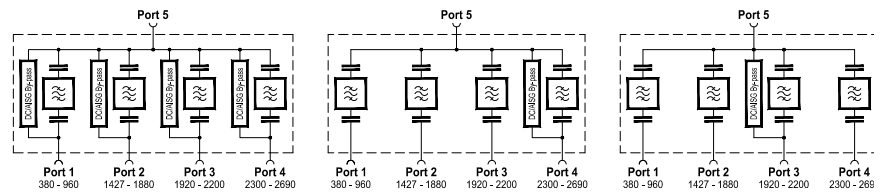
- Can be used as a combiner near the BTS or in a reciprocal function near the antenna
- Very low insertion loss
- Enables feeder sharing
- Designed for co-siting purposes
- Available as a single unit, or for XPol antennas as double unit
- Suitable for indoor and outdoor applications
- Wall or mast mounting
- Built-in lightning protection
- External DC stop available as an accessory



[ericsson.com/antenna-system](https://ericsson.com/antenna-system)



Scan or [click](#)



| Product No.                 |         | 78211580            | 78211582   | 78211584            |
|-----------------------------|---------|---------------------|--|---------------------|
|                             |         | Single Unit         | Single Unit  | Single Unit         |
|                             |         | 78211581            | 78211583   | 78211585            |
|                             |         | Double Unit         | Double Unit  | Double Unit         |
| Pass band                   |         |                     |  |                     |
| Band 1 (TETRA ... GSM 900)  | MHz     |                     | 380 – 960  |                     |
| Band 2 (GSM 1800)           | MHz     |                     | 1427 – 1880  |                     |
| Band 3 (UMTS)               | MHz     |                     | 1920 – 2200  |                     |
| Band 4 (LTE 2600)           | MHz     |                     | 2300 – 2690  |                     |
| Insertion loss              |         |                     |  |                     |
| Port 1 ↔ Port 5             | dB      |                     | < 0.2 (380 – 960 MHz)  |                     |
| Port 2 ↔ Port 5             | dB      |                     | < 0.3 (1427 – 1880 MHz)  |                     |
| Port 3 ↔ Port 5             | dB      |                     | < 0.3 (1920 – 2200 MHz)  |                     |
| Port 4 ↔ Port 5             | dB      |                     | < 0.3 (2300 – 2690 MHz)  |                     |
| Isolation                   | dB      |                     | > 40   |                     |
| VSWR                        |         |                     | < 1.25   |                     |
| Impedance                   | Ω       |                     | 50   |                     |
| Input power                 |         |                     |  |                     |
| Band 1/Band 2/Band 3/Band 4 | W       |                     | < 200 / < 200 / < 200 / < 100  |                     |
| Intermodulation products    | dBc     |                     | < -160 (3rd order; with 2 x 20 W), exempt from TETRA 360 – 470 MHz: < -150   |                     |
| Temperature range           | °C   °F |                     | -40 ... +60   -40 ... +140   |                     |
| Connectors                  |         |                     | 4.3-10 female  |                     |
| Application                 |         |                     | Indoor or outdoor (IP 66)  |                     |
| DC/AISG transparency        |         |                     |  |                     |
| Port 1 ↔ Port 5             | mA      | By-pass (max. 2500) | Stop   | Stop                |
| Port 2 ↔ Port 5             | mA      | By-pass (max. 2500) | Stop   | Stop                |
| Port 3 ↔ Port 5             | mA      | By-pass (max. 2500) | Stop   | By-pass (max. 2500) |
| Port 4 ↔ Port 5             | mA      | By-pass (max. 2500) | By-pass (max. 2500)  | Stop                |
| Lightning protection        | kA      |                     | 3, 10/350 μs pulse   |                     |
| Mounting                    | mm   in |                     | Wall mounting: With 4 screws (max.: 8   0.315 diameter) / Mast mounting: With clamp set  |                     |
| Weight                      | kg   lb |                     | Single unit: 3.9   8.6 / Double unit: 7.7   17.0   |                     |
| Dimensions (w x h x d)      | mm   in |                     | Single unit: 270 x 213 x 67   10.6 x 8.4 x 2.6<br>Double unit: 270 x 213 x 138   10.6 x 8.4 x 5.4<br>(without connectors, without mounting brackets) |                     |
| Packing size                | mm   in |                     | Single unit: 394 x 339 x 160   15.5 x 13.3 x 6.3<br>Double unit: 394 x 339 x 230   15.5 x 13.3 x 9.1   |                     |

**Accessories (order separately)**

| Product No. |         | Clamp set suitable for mast diameter of |
|-------------|---------|---|
| 734360      | mm   in | 34–60   1.34–2.36                       |
| 734364      | mm   in | 120–140   4.72–5.51                     |
| 734365      | mm   in | 45–125   1.77–4.92                      |

| Product No. | Description |
|-------------|-------------|
| 78210484    | 50-Ohm load |
| 78211000    | DC stop     |

**Typical Attenuation Curves**

Diagram I

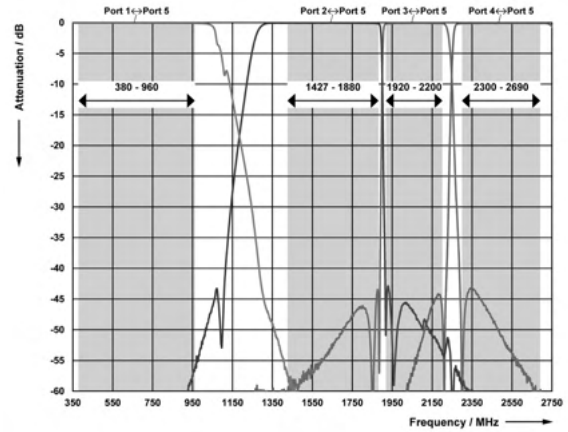
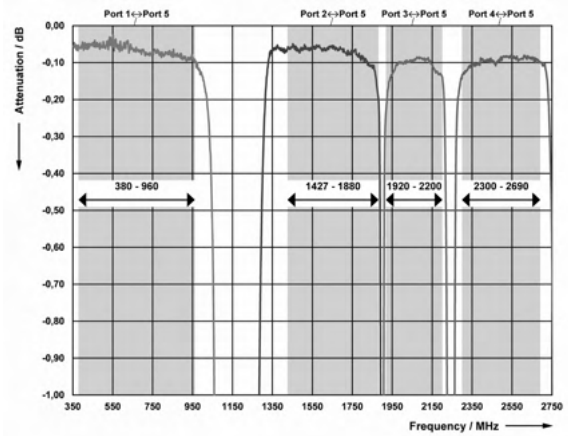
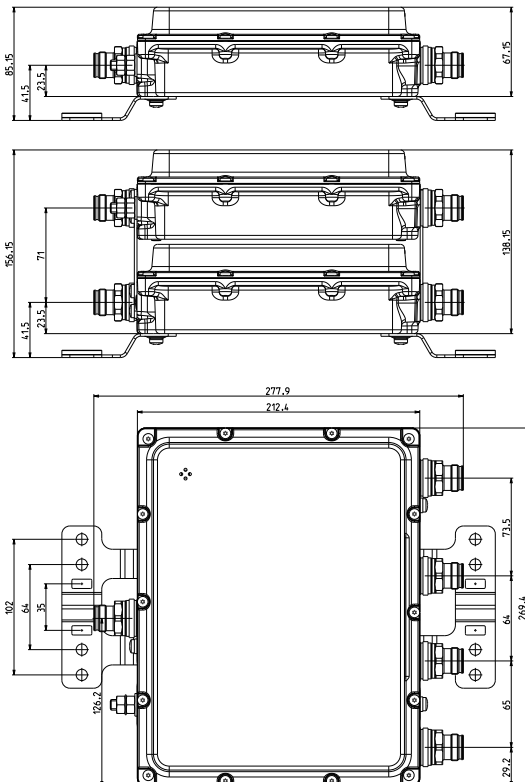


Diagram II



**Dimensions in mm**



AUTO-  
SENSE

Double Unit

# Quad-Band Combiner

78211588, 78211588V01

380–960 MHz  
1427–1880 MHz  
1920–2200 MHz  
2300–2690 MHz

- Can be used as a combiner near the BTS or in a reciprocal function near the antenna
- Very low insertion loss
- Enables feeder sharing
- Designed for co-siting purposes
- Integrated Auto-Sense technology for automatic DC / AISG detection and bypass functionality
- Suitable for indoor and outdoor applications
- Wall or mast mounting
- Built-in lightning protection



[ericsson.com/antenna-system](https://ericsson.com/antenna-system)

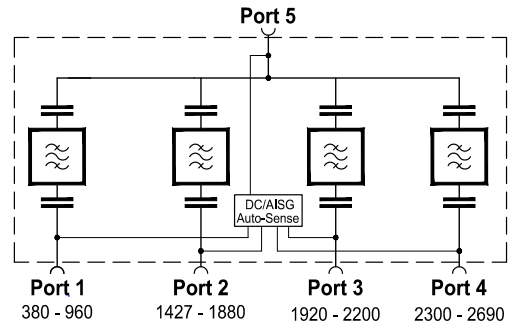


Scan or [click](#)

**Priority table for 78211588V01 with Priority Controlled Function**

|               |                      |
|---------------|----------------------|
| 380–960 MHz   | Priority 2           |
| 1427–1880 MHz | Priority 4 (lowest)  |
| 1920–2200 MHz | Priority 3           |
| 2300–2690 MHz | Priority 1 (highest) |

For more information see Auto-Sense quick guide later in this datasheet.



|  |         |   |
|--|---------|---|
| <b>Product No.</b><br><b>DC/AISG transparency</b><br>1. First In - First Out Function<br>2. Priority Controlled Function |         | <b>78211588</b><br><b>78211588V01</b><br><b>Double Unit</b>                             |
| <b>Pass band</b>   |         |   |
| Band 1 (TETRA ... GSM 900)   | MHz     | 380 – 960   |
| Band 2 (GSM 1800)  | MHz     | 1427 – 1880   |
| Band 3 (UMTS)  | MHz     | 1920 – 2200   |
| Band 4 (LTE 2600)  | MHz     | 2300 – 2690   |
| <b>Insertion loss</b>  |         |   |
| Port 1 ↔ Port 5  | dB      | < 0.2 (380 – 960 MHz)   |
| Port 2 ↔ Port 5  | dB      | < 0.3 (1427 – 1880 MHz)   |
| Port 3 ↔ Port 5  | dB      | < 0.3 (1920 – 2200 MHz)   |
| Port 4 ↔ Port 5  | dB      | < 0.3 (2300 – 2690 MHz)   |
| <b>Isolation</b>   | dB      | > 40  |
| <b>VSWR</b>  |         | < 1.25  |
| <b>Impedance</b>   | Ω       | 50  |
| <b>Input power</b>   |         |   |
| Band 1/Band 2/Band 3/Band 4  | W       | < 200 / < 200 / < 200 / < 100   |
| <b>Intermodulation products</b>  | dBc     | < -160 (3 <sup>rd</sup> order; with 2 x 20 W), exempt from TETRA 360 – 470 MHz: < -150  |
| <b>Temperature range</b>   | °C   °F | -40 ... +60   -40 ... +140  |
| <b>Connectors</b>  |         | 4.3-10 female   |
| <b>Application</b>   |         | Indoor or outdoor (IP 66)   |
| <b>DC/AISG transparency</b><br>Port 1, 2, 3, 4 ↔ Port 5  |         | Auto-Sense (max. 2000)  |
| <b>Lightning protection</b>  | kA      | 3, 10/350 μs pulse  |
| <b>Mounting</b>  | mm   in | Wall mounting: With 4 screws (max.: 8   0.315 diameter) / Mast mounting: With clamp set |
| <b>Weight</b>  | kg   lb | 7.8   17.2  |
| <b>Dimensions (w x h x d)</b>  | mm   in | 270 x 213 x 138   10.6 x 8.4 x 5.4<br>(without connectors, without mounting brackets)   |
| <b>Packing size</b>  | mm   in | 394 x 339 x 230   15.5 x 13.3 x 9.1   |



Accessories (order separately)

| Product No. |         | Clamp set suitable for mast diameter of |
|-------------|---------|---|
| 734360      | mm   in | 34–60   1.34–2.36                       |
| 734364      | mm   in | 120–140   4.72–5.51                     |
| 734365      | mm   in | 45–125   1.77–4.92                      |

| Product No. | Description |
|-------------|-------------|
| 78210484    | 50-Ohm load |
| 78211000    | DC stop     |

Typical Attenuation Curves

Diagram I

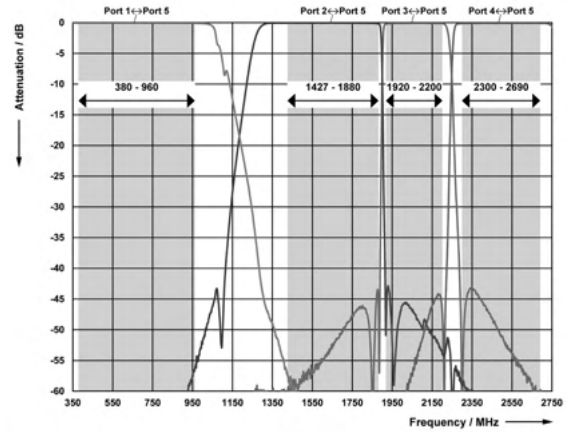
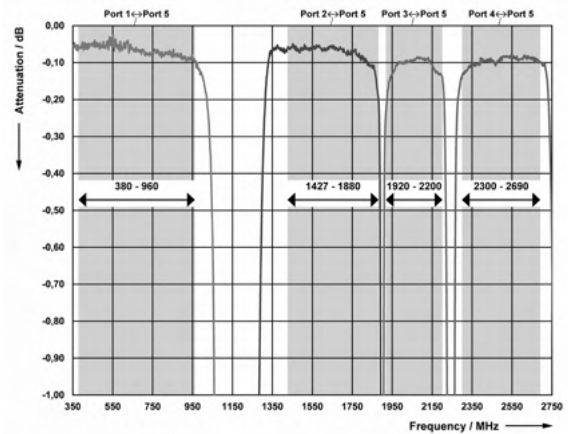
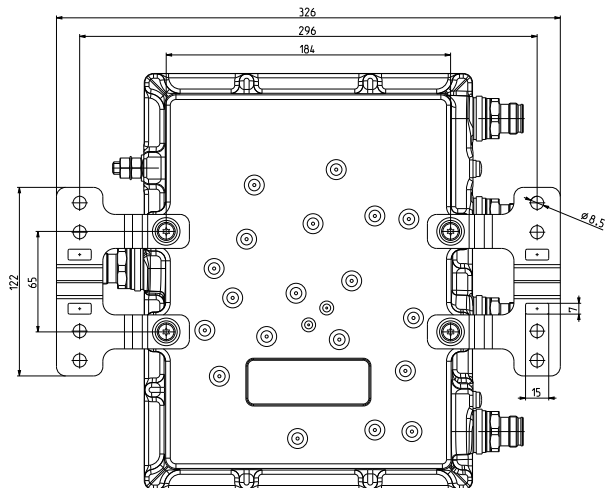
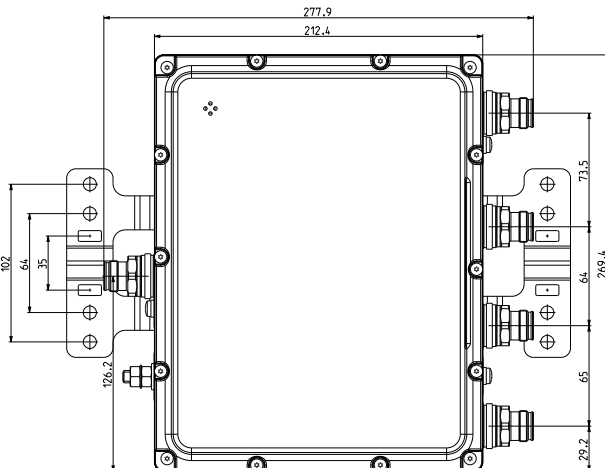
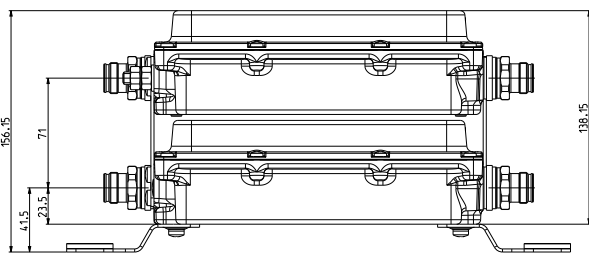
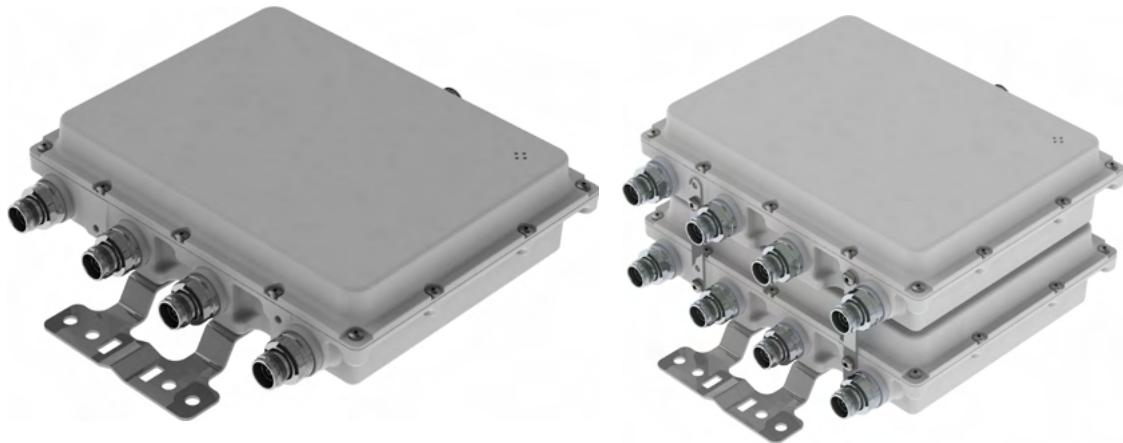


Diagram II



Dimensions in mm





Single Unit

Double Unit

# Quad-Band Combiner

78211340, 78211341

690–862 MHz  
880–960 MHz  
1427–1880 MHz  
1920–2690 MHz

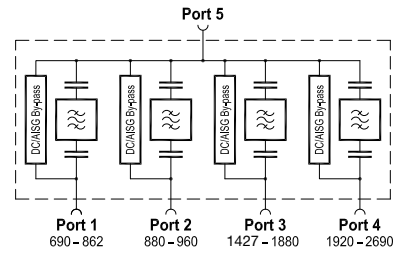
- Can be used as a combiner near the BTS or in a reciprocal function near the antenna
- Very low insertion loss
- Enables feeder sharing
- Designed for co-siting purposes
- Available as a single unit, or for XPol antennas as double unit
- Suitable for indoor and outdoor applications
- Wall or mast mounting
- Built-in lightning protection
- External DC stop available as an accessory



[ericsson.com/antenna-system](https://ericsson.com/antenna-system)



Scan or [click](#)



|                                   |         |  |
|-----------------------------------|---------|--|
| Product No.                       |         | <b>78211340</b><br>Single Unit   |
|                                   |         | <b>78211341</b><br>Double Unit   |
| Pass band                         |         |  |
| Band 1                            | MHz     | 690 – 862  |
| Band 2                            | MHz     | 880 – 960  |
| Band 3                            | MHz     | 1427 – 1880  |
| Band 4                            | MHz     | 1920 – 2690  |
| Insertion loss                    |         |  |
| Port 1 ↔ Port 5                   | dB      | < 0.45, typ. 0.25 (690 – 862 MHz)  |
| Port 2 ↔ Port 5                   | dB      | < 0.45, typ. 0.3 (880 – 960 MHz)   |
| Port 3 ↔ Port 5                   | dB      | < 0.35, typ. 0.2 (1427 – 1880 MHz)   |
| Port 4 ↔ Port 5                   | dB      | < 0.35, typ. 0.3 (1920 – 2690 MHz)   |
| Isolation                         | dB      | > 40   |
| VSWR                              |         | < 1.25   |
| Impedance                         | Ω       | 50   |
| Input power                       |         |  |
| Band 1 / Band 2 / Band 3 / Band 4 | W       | < 200 / < 200 / < 200 / < 100  |
| Intermodulation products          | dBc     | < -160 (3 <sup>rd</sup> order; with 2 x 20 W)  |
| Temperature range                 | °C   °F | -40 ... +60   -40 ... +140   |
| Connectors                        |         | 4.3-10 female  |
| Application                       |         | Indoor or outdoor (IP 66)  |
| DC/AISG transparency              |         |  |
| Port 1 ↔ Port 5                   | mA      | By-pass (max. 2500)  |
| Port 2 ↔ Port 5                   | mA      | By-pass (max. 2500)  |
| Port 3 ↔ Port 5                   | mA      | By-pass (max. 2500)  |
| Port 4 ↔ Port 5                   | mA      | By-pass (max. 2500)  |
| Lightning protection              | kA      | 3, 10/350 μs pulse   |
| Mounting                          | mm   in | Wall mounting: With 4 screws (max. diameter 8   0.315) /<br>Mast mounting: With included clamp set   |
| Weight                            | kg   lb | Single Unit: 6.7   14.6 / Double Unit: 13.3   29.3   |
| Dimensions (w x h x d)            | mm   in | Single Unit approx.: 358 x 271 x 84   14.1 x 10.7 x 3.3<br>Double Unit approx.: 358 x 271 x 172   14.1 x 10.7 x 6.8<br>(without connectors, without mounting brackets) |
| Packing size                      | mm   in | Single Unit: 460x 440 x 177   18.1 x 17.3 x 7.0<br>Double Unit: 460 x 440 x 265   18.1 x 17.3 x 10.4   |

Accessories (order separately)

| Product No. |         | Clamp set suitable for mast diameter of |
|-------------|---------|---|
| 734360      | mm   in | 34–60   1.34–2.36                       |
| 734364      | mm   in | 120–140   4.72–5.51                     |
| 734365      | mm   in | 45–125   1.77–4.92                      |

| Product No. | Description |
|-------------|-------------|
| 78210484    | 50-Ohm load |
| 78211000    | DC stop     |

Typical Attenuation Curves

Diagram I

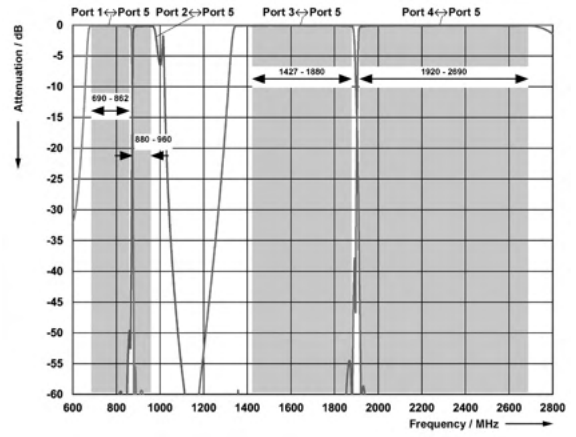
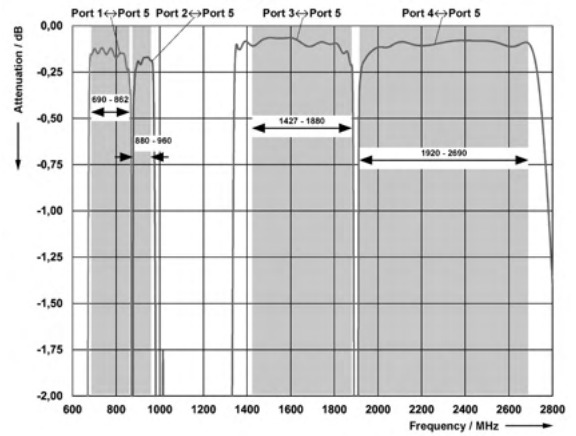
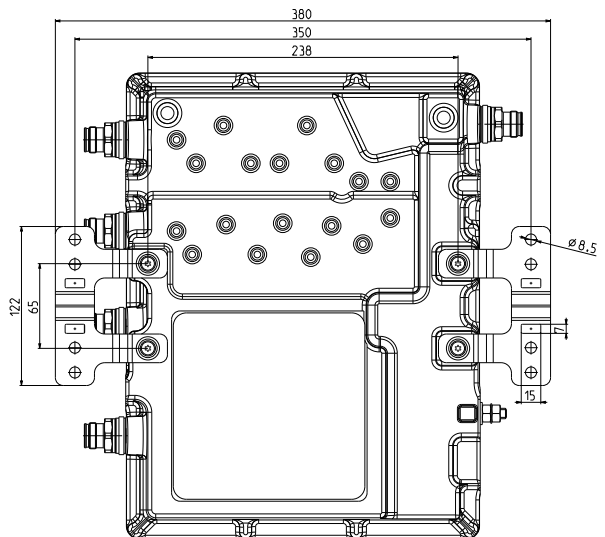
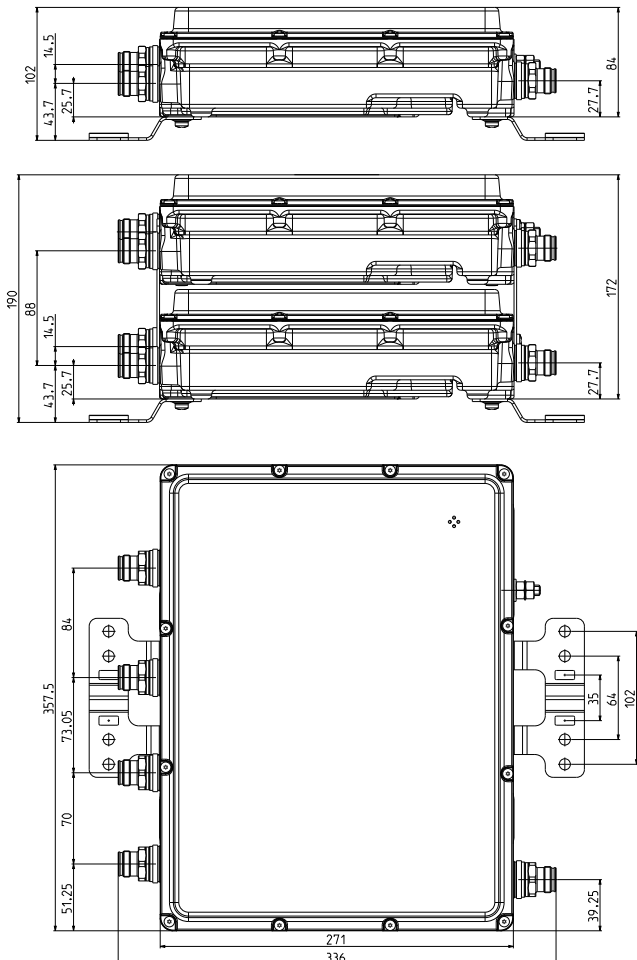


Diagram II



Dimensions in mm



AUTO-  
SENSE

Double Unit

# Quad-Band Combiner

78211348, 78211348V01

690–862MHz  
880–960MHz  
1427–1880MHz  
1920–2690 MHz

- Can be used as a combiner near the BTS or in a reciprocal function near the antenna
- Very low insertion loss
- Enables feeder sharing
- Designed for co-siting purposes
- Integrated Auto-Sense technology for automatic DC / AISG detection and bypass functionality
- Suitable for indoor and outdoor applications
- Wall or mast mounting
- Built-in lightning protection



[ericsson.com/antenna-system](https://ericsson.com/antenna-system)

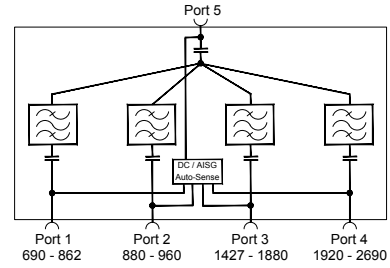


Scan or [click](#)

**Priority table for 78211348V01 with Priority Controlled Function**

|               |                      |
|---------------|----------------------|
| 690–862 MHz   | Priority 2           |
| 880–960 MHz   | Priority 3           |
| 1427–1880 MHz | Priority 4 (lowest)  |
| 1920–2690 MHz | Priority 1 (highest) |

For more information see Auto-Sense quick guide later in this datasheet.



|  |         |  |  |
|--|---------|--|--|
| <b>Product No.</b><br><b>DC/AISG transparency</b><br>1. First In - First Out Function<br>2. Priority Controlled Function |         | <b>78211348</b><br><b>78211348V01</b><br><b>Double Unit</b>                                      |  |
| Pass band  |         |  |  |
| Band 1   | MHz     | 690 – 862  |  |
| Band 2   | MHz     | 880 – 960  |  |
| Band 3   | MHz     | 1427 – 1880  |  |
| Band 4   | MHz     | 1920 – 2690  |  |
| Insertion loss   |         |  |  |
| Port 1 ↔ Port 5  | dB      | < 0.45, typ. 0.25 (690 – 862 MHz)  |  |
| Port 2 ↔ Port 5  | dB      | < 0.45, typ. 0.3 (880 – 960 MHz)   |  |
| Port 3 ↔ Port 5  | dB      | < 0.35, typ. 0.2 (1427 – 1880 MHz)   |  |
| Port 4 ↔ Port 5  | dB      | < 0.35, typ. 0.3 (1920 – 2690 MHz)   |  |
| Isolation  | dB      | > 40   |  |
| VSWR   |         | < 1.25   |  |
| Impedance  | Ω       | 50   |  |
| Input power  |         |  |  |
| Band 1 / Band 2 / Band 3 / Band 4  | W       | < 200 / < 200 / < 200 / < 100  |  |
| Intermodulation products   | dBc     | < -160 (3 <sup>rd</sup> order; with 2 x 20 W)  |  |
| Temperature range  | °C   °F | -40 ... +60   -40 ... +140   |  |
| Connectors   |         | 4.3-10 female  |  |
| Application  |         | Indoor or outdoor (IP 66)  |  |
| DC/AISG transparency   |         |  |  |
| Port 1, 2, 3, 4 ↔ Port 5   | mA      | Auto-Sense (max. 2000)   |  |
| Lightning protection   | kA      | 3, 10/350 μs pulse   |  |
| Mounting   | mm   in | Wall mounting: With 4 screws (max. diameter 8   0.315)<br>Mast mounting: With included clamp set |  |
| Weight   | kg   lb | 13.5   29.6  |  |
| Dimensions (w x h x d)   | mm   in | 358 x 271 x 172   14.1 x 10.7 x 6.8<br>(without connectors, without mounting brackets)           |  |
| Packing size   | mm   in | 460 x 440 x 265   18.1 x 17.3 x 10.4   |  |

**Accessories (included)**

| Product No. |         | Clamp set suitable for mast diameter of |
|-------------|---------|---|
| 734365      | mm   in | 45–125   1.77–4.92                      |

**Accessories (order separately)**

| Product No. |         | Description                    |
|-------------|---------|--------------------------------|
| 78210484    |         | 50-Ohm load                    |
| 78211000    |         | DC stop                        |
| 734360      | mm   in | Clamp set: 34–60   1.34–2.36   |
| 734364      | mm   in | Clamp set: 120–140   4.72–5.51 |

**Typical Attenuation Curves**

Diagram I

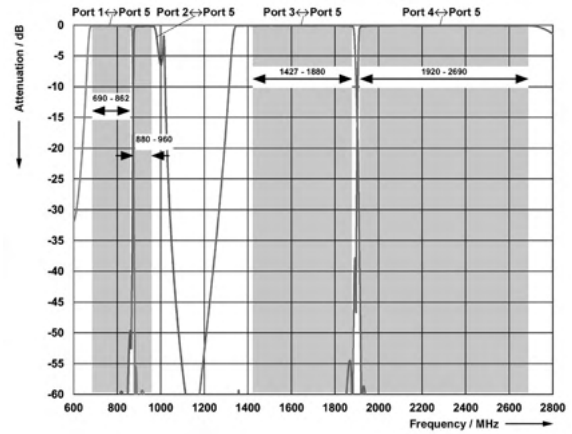
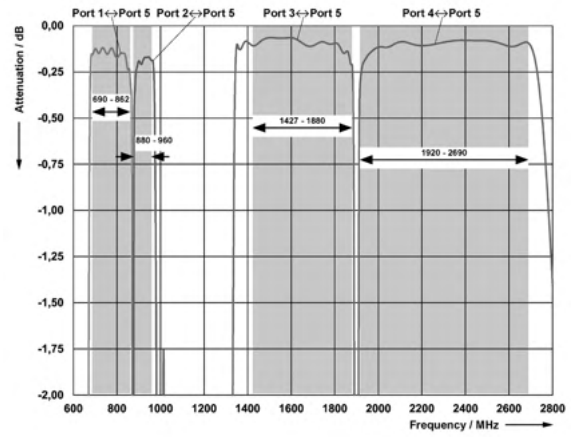
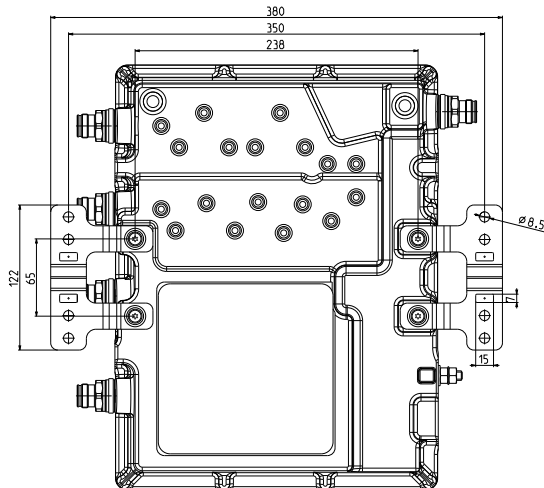
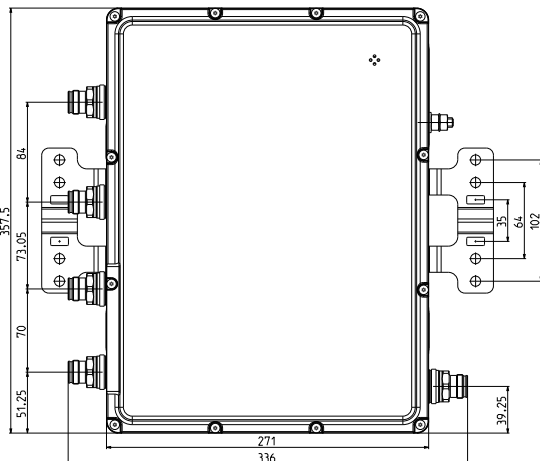
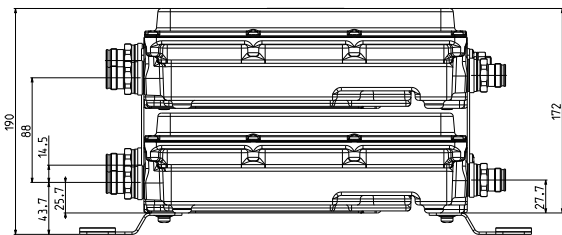


Diagram II



**Dimensions in mm**



## Tower Mounted Amplifier – Single-Band

| Product Name<br>Product No.    | Frequency range                       | Gain  | Connector type<br>(female) | Page                |
|--------------------------------|---------------------------------------|-------|----------------------------|---------------------|
| TMA B28 (2-2)<br>78211275V43   | UL: 703 – 748 / DL: 758 – 803 MHz     | 12 dB | 4.3-10                     | <a href="#">665</a> |
| TMA B20 (2-2)<br>78210430V43   | UL: 832 – 862 / DL: 791 – 821 MHz     | 12 dB | 4.3-10                     | <a href="#">668</a> |
| TMA B5 (2-2)<br>KRY 112 4159/2 | UL: 824 – 849 / DL: 869 – 894 MHz     | 12 dB | 7-16                       | <a href="#">671</a> |
| TMA B8 (2-2)<br>KRY 112 587/16 | UL: 880 – 915 / DL: 925 – 960 MHz     | 12 dB | 4.3-10                     | <a href="#">673</a> |
| TMA B3 (2-2)<br>78210583V43    | UL: 1710 – 1785 / DL: 1805 – 1880 MHz | 12 dB | 4.3-10                     | <a href="#">675</a> |
| TMA B3 (2-2)<br>KRY 112 488/12 | UL: 1710 – 1785 / DL: 1805 – 1880 MHz | 12 dB | 4.3-10                     | <a href="#">678</a> |
| TMA B66 (2-2)<br>KRY 112 144/2 | UL: 1710 – 1780 / DL: 2110 – 2200 MHz | 12 dB | 7-16                       | <a href="#">681</a> |
| TMA B1 (2-2)<br>KRY 112 442/16 | UL: 1920 – 1980 / DL: 2110 – 2170 MHz | 12 dB | 4.3-10                     | <a href="#">683</a> |
| TMA B7 (2-2)<br>78211330V43    | UL: 2500 – 2570 / DL: 2620 – 2690 MHz | 12 dB | 4.3-10                     | <a href="#">686</a> |

UL = Uplink / DL = Downlink



## Tower Mounted Amplifier – Dual-Band

| Product Name<br>Product No.                                | Frequency range  | Gain  | Connector type<br>(female) | Page                |
|--|--|-------|----------------------------|---------------------|
| TMA B8 B20 (2-2)<br>KRY 112 228/11                         | UL: 832 – 862 / DL: 791 – 821 MHz<br>UL: 880 – 915 / DL: 925 – 960 MHz         | 12 dB | 4.3-10                     | <a href="#">689</a> |
| TMA B8 B20 (2-4)<br>78210517V44                            | UL: 832 – 862 / DL: 791 – 821 MHz<br>UL: 880 – 915 / DL: 925 – 960 MHz         | 12 dB | 4.3-10                     | <a href="#">692</a> |
| TMA B1 B3 (2-4)<br>78210990V44                             | UL: 1710 – 1785 / DL: 1805 – 1880 MHz<br>UL: 1920 – 1980 / DL: 2110 – 2170 MHz | 12 dB | 4.3-10                     | <a href="#">695</a> |
| TMA B1 B3 Bypass 1400 (2-2)<br>78211107V02                 | UL: 1710 – 1785 / DL: 1805 – 1880 MHz<br>UL: 1920 – 1980 / DL: 2110 – 2170 MHz | 12 dB | 4.3-10                     | <a href="#">698</a> |
| TMA B1 B3 (2-2)<br>KRY 112 227/12                          | UL: 1710 – 1785 / DL: 1805 – 1880 MHz<br>UL: 1920 – 1980 / DL: 2110 – 2170 MHz | 12 dB | 4.3-10                     | <a href="#">701</a> |
| TMA B1 B3 + Bypass 1400 + Bypass LB (2-6)<br>KRY 112 234/1 | UL: 1710 – 1785 / DL: 1805 – 1880 MHz<br>UL: 1920 – 1980 / DL: 2110 – 2170 MHz | 12 dB | 4.3-10                     | <a href="#">704</a> |
| TMA B1 B3 Bypass 1400 + Bypass LB (2-4)<br>KRY 112 235/1   | UL: 1710 – 1785 / DL: 1805 – 1880 MHz<br>UL: 1920 – 1980 / DL: 2110 – 2170 MHz | 12 dB | 4.3-10                     | <a href="#">707</a> |
| <b>TMA B1 B3 + Bypass 1400 (4-2)</b><br>KRY 112 238/1      | UL: 1710 – 1785 / DL: 1805 – 1880 MHz<br>UL: 1920 – 1980 / DL: 2110 – 2170 MHz | 12 dB | 4.3-10                     | <a href="#">710</a> |
| TMA B3 B7 Bypass 1400 (2-2)<br>78211912V02                 | UL: 1710 – 1785 / DL: 1805 – 1880 MHz<br>UL: 2500 – 2570 / DL: 2620 – 2690 MHz | 12 dB | 4.3-10                     | <a href="#">713</a> |
| TMA B1 B7 Bypass 1400 (2-2)<br>78211910V02                 | UL: 1920 – 1980 / DL: 2110 – 2170 MHz<br>UL: 2500 – 2570 / DL: 2620 – 2690 MHz | 12 dB | 4.3-10                     | <a href="#">717</a> |

New product

UL = Uplink / DL = Downlink

## Tower Mounted Amplifier – Triple-Band

| Product Name<br>Product No.                   | Frequency range   | Gain  | Connector type<br>(female) | Page                |
|---|---|-------|----------------------------|---------------------|
| TMA B8 B20 B28B (2-2)<br>KRY 112 236/1        | UL: 880 – 915 / DL: 925 – 960 MHz<br>UL: 832 – 862 / DL: 791 – 821 MHz<br>UL: 703 – 733 / DL: 758 – 788 MHz             | 12 dB | 4.3-10                     | <a href="#">721</a> |
| TMA B1 B3 B7 Bypass 1400 (2-2)<br>78210587V02 | UL: 1710 – 1785 / DL: 1805 – 1880 MHz<br>UL: 1920 – 1980 / DL: 2110 – 2170 MHz<br>UL: 2500 – 2570 / DL: 2620 – 2690 MHz | 12 dB | 4.3-10                     | <a href="#">724</a> |
| TMA B1 B3 B7 Bypass 1400 (2-6)<br>78210588V02 | UL: 1710 – 1785 / DL: 1805 – 1880 MHz<br>UL: 1920 – 1980 / DL: 2110 – 2170 MHz<br>UL: 2500 – 2570 / DL: 2620 – 2690 MHz | 12 dB | 4.3-10                     | <a href="#">728</a> |

UL = Uplink / DL = Downlink

## Tower Mounted Amplifier (TMA) – Overview

| Frequency Band         |   |                |               |               |                 |                 |                 |     |                |               | B28 | B28B | B20 | B5 | B8 | B3 | B66 | B1 | B7 |
|------------------------|---|----------------|---------------|---------------|-----------------|-----------------|-----------------|-----|----------------|---------------|-----|------|-----|----|----|----|-----|----|----|
| Order No.              | Type                                      | Connector Type | 2 Radio Ports | 4 Radio Ports | 2 Antenna Ports | 4 Antenna Ports | 6 Antenna Ports | CWA | Lowband Bypass | L-Band Bypass |     |      |     |    |    |    |     |    |    |
| <b>Single Band TMA</b> |   |                |               |               |                 |                 |                 |     |                |               |     |      |     |    |    |    |     |    |    |
| 78211275V43            | TMA B28 (2-2)                             | 4.3-10         |               |               |                 |                 |                 |     |                |               |     |      |     |    |    |    |     |    |    |
| 78210430V43            | TMA B20 (2-2)                             | 4.3-10         |               |               |                 |                 |                 |     |                |               |     |      |     |    |    |    |     |    |    |
| KRY1124159/2           | TMA B5 (2-2)                              | 7-16           |               |               |                 |                 |                 |     |                |               |     |      |     |    |    |    |     |    |    |
| KRY112587/16           | TMA B8 (2-2)                              | 4.3-10         |               |               |                 |                 |                 |     |                |               |     |      |     |    |    |    |     |    |    |
| 78210583V43            | TMA B3 (2-2)                              | 4.3-10         |               |               |                 |                 |                 |     |                |               |     |      |     |    |    |    |     |    |    |
| KRY112488/12           | TMA B3 (2-2)                              | 4.3-10         |               |               |                 |                 |                 |     |                |               |     |      |     |    |    |    |     |    |    |
| KRY112144/2            | TMA B66 (2-2)                             | 7-16           |               |               |                 |                 |                 |     |                |               |     |      |     |    |    |    |     |    |    |
| KRY112442/16           | TMA B1 (2-2)                              | 4.3-10         |               |               |                 |                 |                 |     |                |               |     |      |     |    |    |    |     |    |    |
| 78211330V43            | TMA B7 (2-2)                              | 4.3-10         |               |               |                 |                 |                 |     |                |               |     |      |     |    |    |    |     |    |    |
| <b>Dual Band TMA</b>   |   |                |               |               |                 |                 |                 |     |                |               |     |      |     |    |    |    |     |    |    |
| KRY112228/11           | TMA B8 B20 (2-2)                          | 4.3-10         |               |               |                 |                 |                 |     |                |               |     |      |     |    |    |    |     |    |    |
| 78210517V44            | TMA B8 B20 (2-4)                          | 4.3-10         |               |               |                 |                 |                 |     |                |               |     |      |     |    |    |    |     |    |    |
| 78210990V44            | TMA B1 B3 (2-4)                           | 4.3-10         |               |               |                 |                 |                 |     |                |               |     |      |     |    |    |    |     |    |    |
| 78211107V02            | TMA B1 B3 Bypass 1400 (2-2)               | 4.3-10         |               |               |                 |                 |                 |     |                |               |     |      |     |    |    |    |     |    |    |
| KRY112227/12           | TMA B1 B3 (2-2)                           | 4.3-10         |               |               |                 |                 |                 |     |                |               |     |      |     |    |    |    |     |    |    |
| KRY112234/1            | TMA B1 B3 + Bypass 1400 + Bypass LB (2-6) | 4.3-10         |               |               |                 |                 |                 |     |                |               |     |      |     |    |    |    |     |    |    |
| KRY112235/1            | TMA B1 B3 Bypass 1400 + Bypass LB (2-4)   | 4.3-10         |               |               |                 |                 |                 |     |                |               |     |      |     |    |    |    |     |    |    |
| <b>KRY112238/1</b>     | <b>TMA B1 B3 + Bypass 1400 (4-2)</b>      | 4.3-10         |               |               |                 |                 |                 |     |                |               |     |      |     |    |    |    |     |    |    |
| 78211912V02            | TMA B3 B7 Bypass 1400 (2-2)               | 4.3-10         |               |               |                 |                 |                 |     |                |               |     |      |     |    |    |    |     |    |    |
| 78211910V02            | TMA B1 B7 Bypass 1400 (2-2)               | 4.3-10         |               |               |                 |                 |                 |     |                |               |     |      |     |    |    |    |     |    |    |
| <b>Triple Band TMA</b> |   |                |               |               |                 |                 |                 |     |                |               |     |      |     |    |    |    |     |    |    |
| KRY112236/1            | TMA B8 B20 B28B (2-2)                     | 4.3-10         |               |               |                 |                 |                 |     |                |               |     |      |     |    |    |    |     |    |    |
| 78210587V02            | TMA B1 B3 B7 Bypass 1400 (2-2)            | 4.3-10         |               |               |                 |                 |                 |     |                |               |     |      |     |    |    |    |     |    |    |
| 78210588V02            | TMA B1 B3 B7 Bypass 1400 (2-6)            | 4.3-10         |               |               |                 |                 |                 |     |                |               |     |      |     |    |    |    |     |    |    |

all TMAs support AISG2.0

new product

|  |                         |
|--|-------------------------|
|  | Antenna / Radio ports   |
|  | amplified band          |
|  | RF bypass               |
|  | CWA in addition to AISG |

## TMA Modes for AISG Communication between RBS and TMA

### Communication standard AISG 2.0

AISG communication between RBS and TMA is implemented acc. to AISG 2.0 standard. The Unique ID of the TMA has a maximum of 19 characters and includes vendor code and serial number of the device.

### One to one relation of RBS and TMA

AISG communication between TMA and RBS is always realized via one RBS port of the TMA, i.e. there's a one to one relation: one RBS controls the overall functionality of one TMA.

Depending on the specific TMA-product, the communication can be realized via the left side port (port RBS A) or via one of the two ports (port RBS A or RBS B – depending on where communication is established first). This product specific information is visualized in a block diagram in the product datasheet.

Multi-Band TMAs with AISG communication on port RBS A or RBS B have different Unique IDs on port RBS A and RBS B; they end with "\_WBM\_1" or "\_WBM\_2", cp. example below.

### Example

The table shows exemplary the Unique ID response of Dual-Band TMAs:

| Multi-Band TMA with AISG-support on port | Unique ID on port RBS A                   | Unique ID on port RBS B                |
|--|---|--|
| RBS A or RBS B                           | Vendor Code + Serial Number + "_WBM_1"    | Vendor Code + Serial Number + "_WBM_2" |
| RBS A only                               | Vendor Code + Device Code + Serial Number | –                                      |



# TMA B28 (2-2)

78211275V43

- Double unit for easy use with XPol antennas
- Supports AISG 2.0 and CWA
- Suitable for antenna RET control according to AISG/3GPP standard
- By-pass mode to ensure cell operation in case of DC power down
- Built-in lightning protection



[ericsson.com/antenna-system](https://ericsson.com/antenna-system)



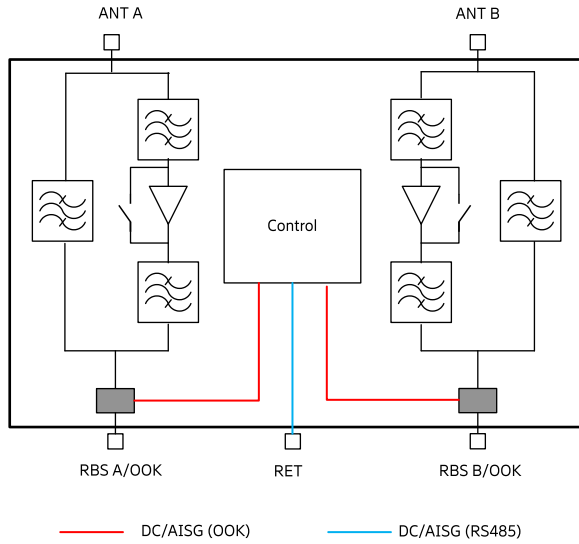
Scan or [click](#)

|             |   |                                   |
|-------------|---|-----------------------------------|
| <b>RET</b>  | = | Remote Electrical Tilt            |
| <b>AISG</b> | = | Antenna Interface Standards Group |
| <b>CWA</b>  | = | Current Window Alarm              |

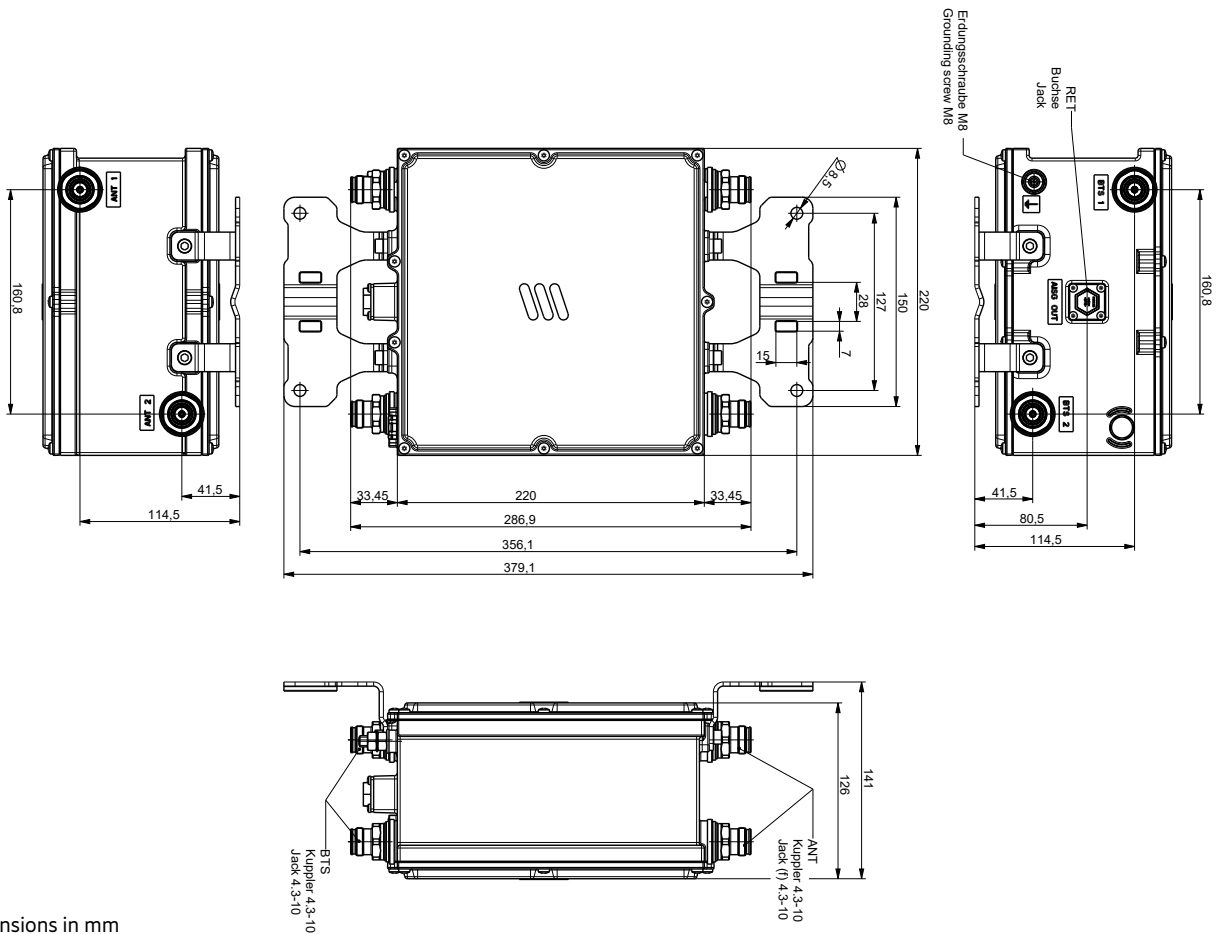
|  |           |  |                  |
|--|-----------|--|------------------|
| <b>Product No.</b>                           |           | <b>78211275V43</b>   |                  |
| <b>Product Name</b>                          |           | <b>TMA B28 (2-2)</b>   |                  |
| <b>Tx Characteristics</b>                    |           |  |                  |
| Frequency range                              | MHz       | 758 – 803  |                  |
| Insertion loss                               | dB        | Typically 0.45   |                  |
| Input power (per input)                      | W         | < 100 (+50 dBm)  |                  |
| Intermodulation products in Rx band          | dBm       | < -117 (2 Tx carriers at +43 dBm)  |                  |
| Return loss                                  | dB        | > 18   |                  |
| <b>Rx Characteristics</b>                    |           |  |                  |
| Frequency range                              | MHz       | 703 – 748  |                  |
| Loss in bypass mode                          | dB        | Typically 1.6 (DC OFF)   |                  |
| Return loss                                  | dB        | > 18 (DC ON) / > 12 (DC OFF)   |                  |
| Gain   | dB        | 12 nominal   |                  |
| Noise figure                                 | dB        | Typically 1.3  |                  |
| 3 <sup>rd</sup> order intercept point (OIP3) | dBm       | Typically 25   |                  |
| DVB-T attenuation                            | dB        | > 30 (< 698 MHz)   |                  |
| <b>Environmental Characteristics</b>         |           |  |                  |
| Operating temperature range                  | °C   F    | -40 ... +65   -40 ... +149   |                  |
| IP rating                                    |           | IP67   |                  |
| MTBF   | hours     | > 1 000 000 (per TMA)  |                  |
| EMC  |           | According to ETS 301 342-3   |                  |
| <b>DC and Alarm Characteristics</b>          |           | <b>CWA Mode</b>  | <b>AISG Mode</b> |
| DC supply                                    | V         | 9 – 19   | 9 – 30           |
| Operating current per TMA                    | mA        | 80 – 130   | Nom. 150 at 12 V |
| Alarm management                             | mA        | 170 – 200  | AISG             |
| <b>Mechanical Characteristics</b>            |           |  |                  |
| Material                                     |           | Aluminium housing  |                  |
| Connectors                                   | RF<br>RET | 4.3-10 female<br>8-pin female, IEC 60130-9<br>(Pin 3: RS485B, pin 5: RS485A, pin 6: 9 – 30 V DC,<br>pin 7: DC return, other pins: Not connected) |                  |
| Mounting                                     | mm   in   | Wall mounting: With 4 screws (max. diameter 8   0.31)<br>Mast mounting: With additional clamp set  |                  |
| Weight                                       | kg   lb   | 8.8   19.4   |                  |
| Dimensions (w x h x d)                       | mm   in   | 220 x 220 x 126   8.7 x 8.7 x 5.0<br>(without connectors, without mounting brackets)   |                  |

Accessories (order separately)

| Product No. |         | Clamp set suitable for mast diameter of |
|-------------|---------|---|
| 734360      | mm   in | 34–60   1.34–2.36                       |
| 734364      | mm   in | 120–140   4.72–5.51                     |
| 734365      | mm   in | 45–125   1.77–4.92                      |



Note:  
DC and AISG can be provided via RBS A or RBS B





# TMA B20 (2-2)

78210430V43

- Double unit for easy use with XPol antennas
- Supports AISG 2.0
- Suitable for antenna RET control according to AISG/3GPP standard
- By-pass mode to ensure cell operation in case of DC power down
- Built-in lightning protection



[ericsson.com/antenna-system](https://ericsson.com/antenna-system)



Scan or [click](#)

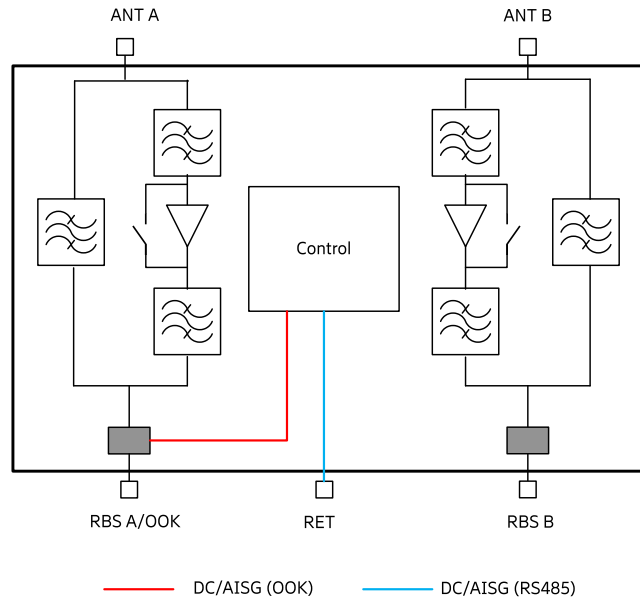


**AISG** = Antenna Interface Standards Group  
**RET** = Remote Electrical Tilt

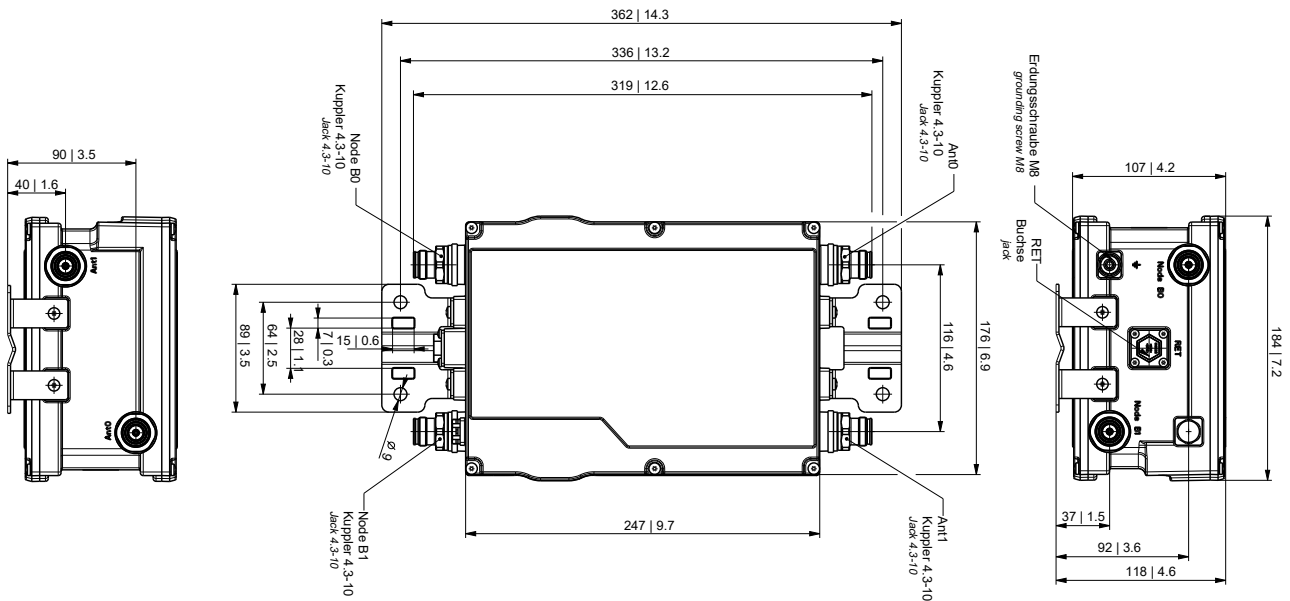
|  |                      |  |
|--|----------------------|--|
| <b>Product No.</b>                           | <b>78210430V43</b>   |  |
| <b>Product Name</b>                          | <b>TMA B20 (2-2)</b> |  |
| <b>Tx Characteristics</b>                    |                      |  |
| Frequency range                              | MHz                  | 791 – 821  |
| Insertion loss                               | dB                   | Typically 0.25   |
| Ripple                                       | dB                   | < 0.3  |
| Input power (per input)                      | W                    | < 100 (+50 dBm) CW   |
| Intermodulation products in RX band          | dBm                  | < -117 (2 Tx carriers at +43 dBm)  |
| Return loss                                  | dB                   | > 18   |
| <b>Rx Characteristics</b>                    |                      |  |
| Frequency range                              | MHz                  | 832 – 862  |
| Loss in by-pass mode                         | dB                   | Typically 2.0  |
| Return loss                                  | dB                   | > 16 (DC ON)   |
| Gain   | dB                   | 12 nominal   |
| Noise figure                                 | dB                   | Typically 1.2  |
| 3 <sup>rd</sup> order intercept point (OIP3) | dBm                  | Typically 30   |
| <b>Environmental Characteristics</b>         |                      |  |
| Operating temperature range                  | °C   °F              | -40 ... +65   -40 ... +149   |
| IP rating                                    |                      | IP67   |
| MTBF   | hours                | > 1 000 000 (per TMA)  |
| EMC  |                      | According to ETS 300 342-3   |
| <b>DC and Alarm Characteristics</b>          |                      |  |
| DC supply                                    | V                    | 10 – 30  |
| Operating current per DTMA (without RET)     | mA<br>mA             | Nom. 155 at 10 V<br>Nom. 60 at 30 V  |
| Alarm management                             |                      | AISG   |
| <b>Mechanical Characteristics</b>            |                      |  |
| Material                                     |                      | Aluminium housing  |
| Connectors                                   | RF<br>RET            | 4.3-10 female<br>8-pin female, IEC 60130-9<br>(Pin 3: RS485B, pin 5: RS485A, pin 6: 10 - 30 V DC, pin 7: DC return, other pins: Not connected) |
| Mounting                                     |                      | Wall mounting: With 4 screws (max. 8 mm diameter)<br>Mast mounting: With additional clamp set  |
| Weight                                       | kg   lb              | 6.2   13.7   |
| Packing size                                 | mm   in              | 250 x 450 x 210   9.8 x 17.7 x 8.3   |
| Dimensions (w x h x d)                       | mm   in              | 176 x 247 x 104   6.9 x 9.7 x 4.1<br>(without connectors, without mounting brackets)   |

**Accessories (order separately)**

| Product No. |         | Clamp set suitable for mast diameter of |
|-------------|---------|---|
| 734360      | mm   in | 34–60   1.34–2.36                       |
| 734364      | mm   in | 120–140   4.72–5.51                     |
| 734365      | mm   in | 45–125   1.77–4.92                      |



Note:  
DC and AISG can only be provided via RBS A





# TMA B5 (2-2)

KRY 112 4159/2

- Specified and verified as an integrated system solution for Ericsson RBSs
- Supports AISG 2.0 and CWA
- Possible to power either via one, or both feeders
- RET interface
- Automatic LNA by-pass function
- Built in lightning protection
- Excellent RF performance



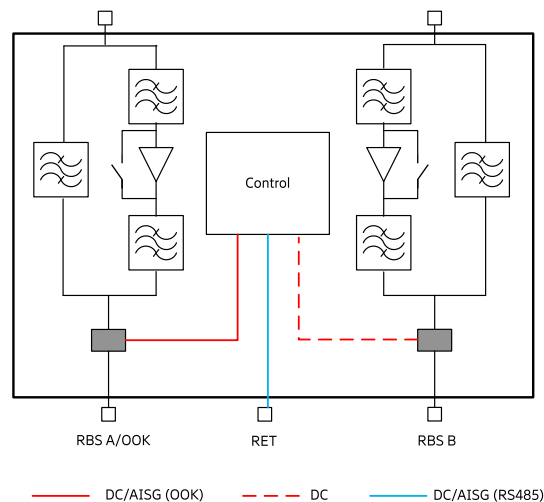
[ericsson.com/antenna-system](https://ericsson.com/antenna-system)



Scan or [click](#)

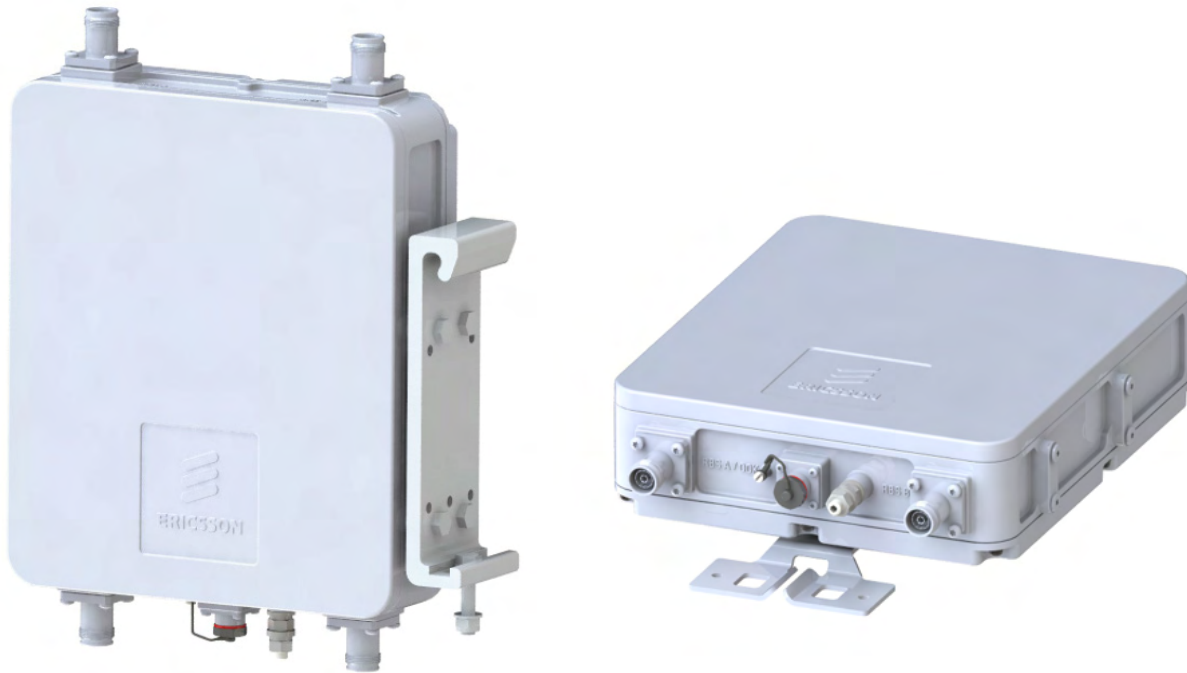
|   |         |  |  |
|---|---------|--|--|
| <b>Product No.</b><br><b>Product Name</b>     |         | <b>KRY 112 4159/2</b><br><b>TMA B5 (2-2)</b>   |  |
| <b>Radio performance 850 MHz</b>              |         |  |  |
| Receiving pass band:                          | MHz     | 824 – 849  |  |
| Transmitting pass band:                       | MHz     | 869 – 894  |  |
| RX Gain: 824-849                              | dB      | 12 ± 0.9   |  |
| Input IP3                                     | dBm     | 20*  |  |
| IM3 at antenna port (2 x 43 dBm)              | dBm     | -118   |  |
| Noise figure mid band                         | dB      | 1.2*   |  |
| Input power at RBS port (average 6 carriers)  | dBm     | 51   |  |
| TX insertion loss                             | dB      | 0.45*  |  |
| RX return loss                                | dB      | 22*  |  |
| TX return loss                                | dB      | 21*  |  |
| <b>Mechanical Specifications</b>              |         |  |  |
| Dimensions (H x W x D)                        | mm   in | 246 x 230 x 79   9.7 x 9.7 x 3.1   |  |
| Weight  | kg   lb | 6.0   13.22  |  |
| RF connectors                                 |         | 7-16 (f)   |  |
| RET connector                                 |         | IEC 60130-9 - Ed. 3.0 female   |  |
| Ground connectors                             |         | M8   |  |
| DC/Alarm                                      |         | Superimposed on the RF signal  |  |
| Mounting                                      |         | Pole or wall mounting  |  |
| <b>Electrical Specifications</b>              |         |  |  |
| Supply voltage                                | VDC     | 10 - 32  |  |
| Power consumption (total)                     |         | <4.5 W in AISG mode or 100 ±10 mA in CWA mode  |  |
| Alarm: via 3GPP/AISG protocol, or in CWA mode | mA      | >180   |  |
| <b>Environmental Specifications</b>           |         |  |  |
| Temperature range, full performance           | °C      | -40 to +55   |  |
| MTBF  |         | 80 years   |  |
| Sealing                                       |         | IP67   |  |
| Lightning protection                          |         | IEC 62305-1  |  |
| Product safety                                |         | International (CB): IEC 60950-1, IEC 60950-22<br>Europe (CE): EN 60950-1, EN 60950-22<br>North America (ETL): UL 60950-1, CSA-C22.2 No.60950-1 |  |

\* Typical values



Note:

- KRY 112 4159/2 provides DC redundancy via RBS B
- KRY 112 4259/2 is designed to behave as CWA or AISG-compatible TMA



# TMA B8 (2-2)

KRY 112 587/16

- Excellent RF performance
- Ericsson Radio System designed TMA, Rail mounting is possible
- Verified as an RBS integrated system solution
- Possible to power both TMA's from one feeder, or from both feeders
- RET interface
- Automatic LNA by-pass
- Wall mounting bracket and pole clamps are included



[ericsson.com/antenna-system](https://ericsson.com/antenna-system)

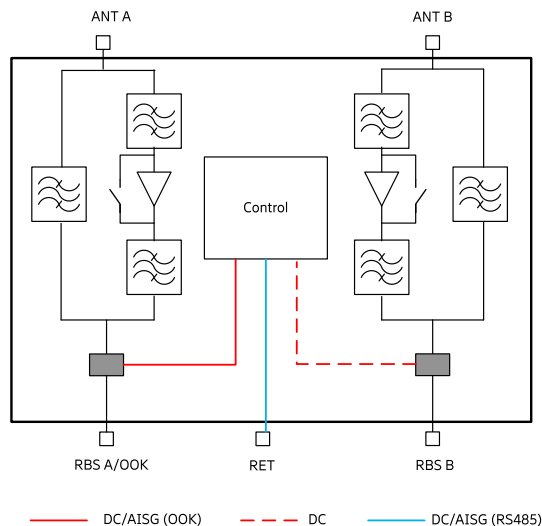


Scan or [click](#)

|   |         |  |
|---|---------|--|
| <b>Product No.</b><br><b>Product Name.</b>      |         | <b>KRY 112 587/16</b><br><b>TMA B8 (2-2)</b>   |
| <b>Radio Performance**</b>                      |         |  |
| Bandwidth                                       | MHz     | 35   |
| Receiving pass band:<br>Transmitting pass band: | MHz     | 880 – 915<br>925 – 960   |
| RX gain   | dB      | 12*  |
| Input IP3                                       | dBm     | 18*  |
| IM3 at antenna port (2 x 43 dBm)                | dBm     | < -115*  |
| Noise figure                                    | dB      | 1.2*   |
| TX max input power (max peak)                   | dBm     | 65   |
| TX max input power (average peak)               | dBm     | 54   |
| TX insertion loss                               | dB      | 0.3*   |
| RX return loss                                  | dB      | 21*  |
| TX return loss                                  | dB      | 21*  |
| <b>Electrical Specifications**</b>              |         |  |
| Input power                                     | VDC     | 10 to 32   |
| Power consumption (total)                       | W       | 2* in AISG mode, or 100 ± 10 mA in CWA mode  |
| Alarm   |         | Through AISG protocol, or in CWA mode >180 mA  |
| <b>Mechanical Specifications</b>                |         |  |
| Dimensions (H x W x D)                          | mm   in | 290 x 247 x 77   11.4 x 9.7 x 3.0  |
| Weight  | kg   lb | 6.4   14.1   |
| Color   |         | White (NCS S 1002-B), textured   |
| RF connectors                                   |         | 4.3-10 (f) long shank  |
| RET connectors                                  |         | 8-pin (f). IEC 60130-9   |
| Ground connector                                |         | M8 bolt  |
| Mounting  |         | Rail, pole or wall mounting (Rail bracket ordered separately)                                  |
| <b>Environmental Specifications**</b>           |         |  |
| Temperature range, full performance             | °C      | -40°C to +55   |
| MTBF  |         | > 80 years   |
| Sealing   |         | IP67   |
| Lightning protection                            |         | 5 kA 10/350 μs, 20 kA 8/20 μs (Common mode)  |
| Product Safety                                  |         | International (CB): IEC 62368-1 Europe (CE): EN 62368-1<br>North America (ETL): CSA/UL 62368-1 |

\* Typical data in normal conditions

\*\* Common values for both variants



Note:

- KRY 112 587/16 provides DC redundancy via RBS B



# TMA B3 (2-2)

78210583V43

- Double units for easy use with XPol antennas
- Supports AISG 2.0 and CWA
- Suitable for antenna RET control according to AISG/3GPP standard
- By-pass mode to ensure cell operation in case of DC power down
- Built-in lightning protection



[ericsson.com/antenna-system](https://ericsson.com/antenna-system)



Scan or [click](#)

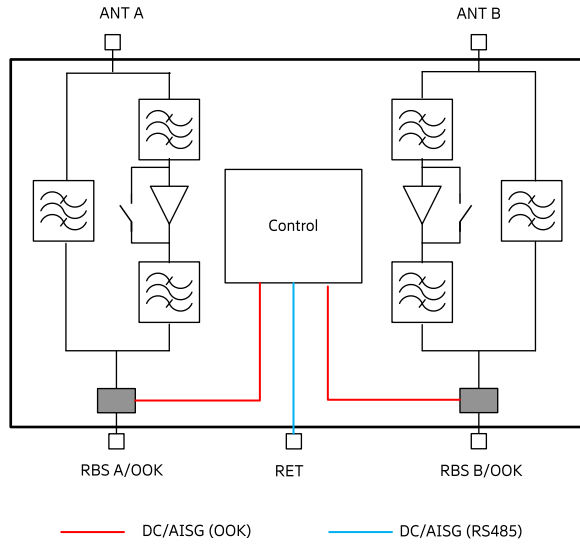
|             |   |                                   |
|-------------|---|-----------------------------------|
| <b>RET</b>  | = | Remote Electrical Tilt            |
| <b>AISG</b> | = | Antenna Interface Standards Group |
| <b>CWA</b>  | = | Current Window Alarm              |

|  |           |  |                                     |
|--|-----------|--|-------------------------------------|
| <b>Product No.</b>                           |           | <b>78210583V43</b>   |                                     |
| <b>Product Name</b>                          |           | <b>TMA B3 (2-2)</b>  |                                     |
| <b>Tx Characteristics</b>                    |           |  |                                     |
| Frequency range                              | MHz       | 1805 - 1880  |                                     |
| Insertion loss                               | dB        | Typically 0.25 dB  |                                     |
| Input power (per input)                      | kW        | < 0.2 (+53 dBm) CW / < 1.6 (+62 dBm) peak  |                                     |
| Intermodulation products in Rx band          | dBm       | < -117 (2 Tx carriers at +43 dBm)  |                                     |
| Return loss                                  | dB        | > 18   |                                     |
| <b>Rx Characteristics</b>                    |           |  |                                     |
| Frequency range                              | MHz       | 1710 – 1785  |                                     |
| Loss in bypass mode                          | dB        | Typically 1.7  |                                     |
| Return loss                                  | dB        | > 16 (DC ON) / > 12 (DC OFF)   |                                     |
| Gain   | dB        | 12 nominal   |                                     |
| Noise figure                                 | dB        | Typically 1.0  |                                     |
| 3 <sup>rd</sup> order intercept point (OIP3) | dBm       | Typically 30   |                                     |
| <b>Environmental Characteristics</b>         |           |  |                                     |
| Operating temperature range                  | °C   °F   | -40 ... +65   -40 ... +149   |                                     |
| IP rating                                    |           | IP67   |                                     |
| MTBF   | hours     | > 1 000 000 (per TMA)  |                                     |
| EMC  |           | According to ETS 300 342-3   |                                     |
| <b>DC and Alarm Characteristics</b>          |           | <b>CWA</b>   | <b>AISG Mode</b>                    |
| DC supply                                    | V         | 7 – 19   | 10 – 30                             |
| Operating current (without RET)              | mA        | 80 – 120   | Nom. 155 at 10 V<br>Nom. 65 at 30 V |
| Alarm management                             |           | 170–200 mA   | AISG                                |
| <b>Mechanical Characteristics</b>            |           |  |                                     |
| Material                                     |           | Aluminium housing  |                                     |
| Connectors                                   | RF<br>RET | 4.3-10 female<br>8-pin female, IEC 60130-9<br>(Pin 3: RS485B, pin 5: RS485A, pin 6: 10 –= 30 V DC,<br>pin 7: DC return, other pins: Not connected) |                                     |
| Mounting                                     |           | Wall mounting: With 4 screws (max. 8 mm diameter)<br>Mast mounting: With additional clamp set  |                                     |
| Weight                                       | kg   lb   | 4   8.8  |                                     |
| Dimensions (w x h x d)                       | mm   in   | 218 x 169 x 74   8.6 x 6.7 x 2.9<br>(without connectors, without mounting brackets)  |                                     |
| Packing size                                 | mm   in   | 405 x 235 x 175   15.9 x 9.3 x 6.9   |                                     |

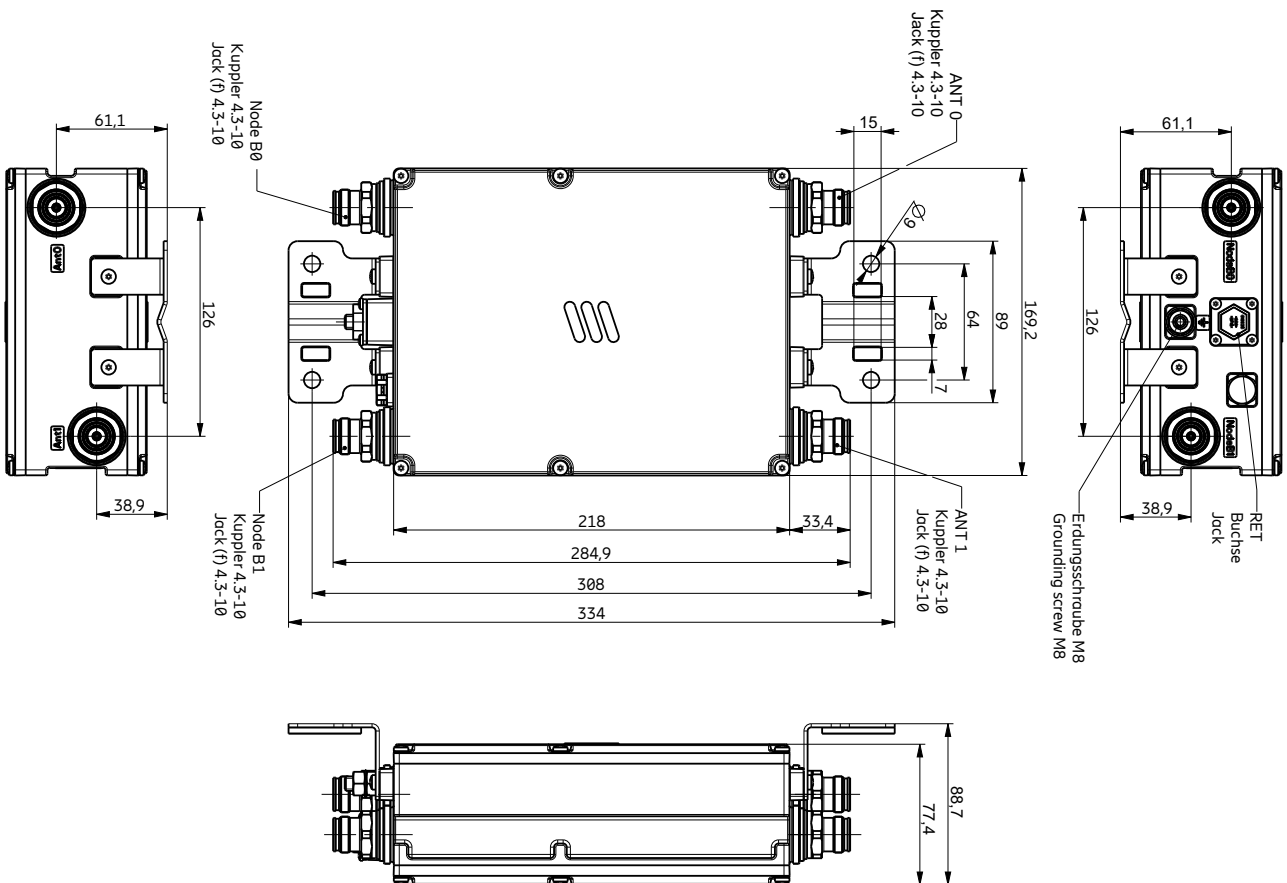


**Accessories (order separately)**

| Product No. |         | Clamp set suitable for mast diameter of |
|-------------|---------|---|
| 734360      | mm   in | 34–60   1.34–2.36                       |
| 734364      | mm   in | 120–140   4.72–5.51                     |
| 734365      | mm   in | 45–125   1.77–4.92                      |



Note:  
DC and AISG can be provided via RBS A or RBS B



Dimensions in mm



# TMA B3 (2-2)

KRY 112 488/12

- Specified and verified as an integrated system solution for Ericsson RBSs
- Supports AISG 2.0 and CWA
- Possible to power either via one, or both feeders
- RET interface
- Automatic LNA by-pass function
- Built in lightning protection
- Excellent RF performance



[ericsson.com/antenna-system](https://ericsson.com/antenna-system)

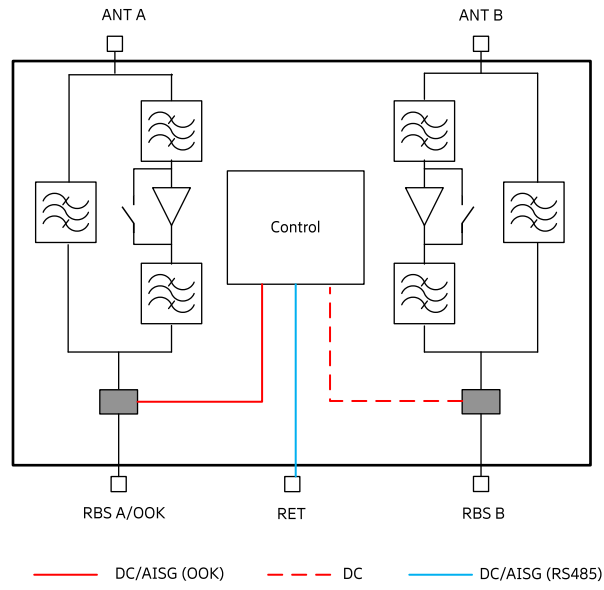


Scan or [click](#)

|                                     |                |  |
|-------------------------------------|----------------|--|
| <b>Product No.</b>                  | KRY 112 488/12 |  |
| <b>Product Name</b>                 | TMA B3 (2-2)   |  |
| <b>Radio performance</b>            |                |  |
| Bandwidth                           | MHz            | 75   |
| Receiving pass band:                | MHz            | 1710 - 1785  |
| Transmitting pass band:             | MHz            | 1805 - 1880  |
| RX Gain                             | dB             | 12 ± 1   |
| Input IP3                           | dBm            | 15*  |
| IM3 at antenna port<br>(2x43 dBm)   | dBm            | -118   |
| Noise figure midband                | dB             | 1.2*   |
| TX max input power<br>(Max Peak)    | dBm            | 55   |
| TX insertion loss                   | dB             | 0.4*   |
| RX return loss                      | dB             | 22*  |
| TX return loss                      | dB             | 22*  |
| <b>Electrical Specifications</b>    |                |  |
| Input power                         | VDC            | 10 to 32   |
| Power consumption                   | W              | < 4.5 in AISG mode, or 100 ± 10 mA in CWA mode   |
| Alarm                               |                | Via 3GPP/AISG protocol, or > 180 mA in CWA mode  |
| <b>Mechanical Specifications</b>    |                |  |
| Dimensions (H x W x D)              | mm   in        | 280 x 155 x 98   11.0 x 6.1 x 3.9  |
| Weight                              | kg   lb        | 7.4   16.3   |
| RF connectors                       |                | 4.3-10 (f)   |
| Ground connector                    |                | M8   |
| DC/Alarm                            |                | Superimposed on the RF signal  |
| Mounting options                    |                | Pole or wall   |
| RET connectors                      |                | 8-pin female. IEC 60130-9  |
| <b>Environmental Specifications</b> |                |  |
| Operating temperature               | °C             | -40 to +55   |
| MTBF                                |                | > 80 years   |
| IP class                            |                | IP67   |
| Lightning protection                |                | 5 kA 10/350 µs, 20 kA 8/20 µs (Common mode)  |
| Product safety                      |                | International (CB): IEC 62368-1 Europe (CE): EN 62368-1<br>North America (ETC): CSA/UL 62368-1 |

\* Typical values

\*\* Rail bracket ordered separately

**Note:**

- KRY 112 488/12 provides DC redundancy via RBS B
- KRY 112 488/12 is designed to behave as CWA or AISG-compatible TMA



# TMA B66 (2-2)

KRY 112 144/2

- Easy and fast rail installation
- Specified and verified as a solution together with Ericsson RBSs
- Possible to power either via one, or both feeders
- RET interface
- Supports AISG 2.0
- Automatic LNA by-pass function
- Built-in lightning protection
- Excellent RF performance



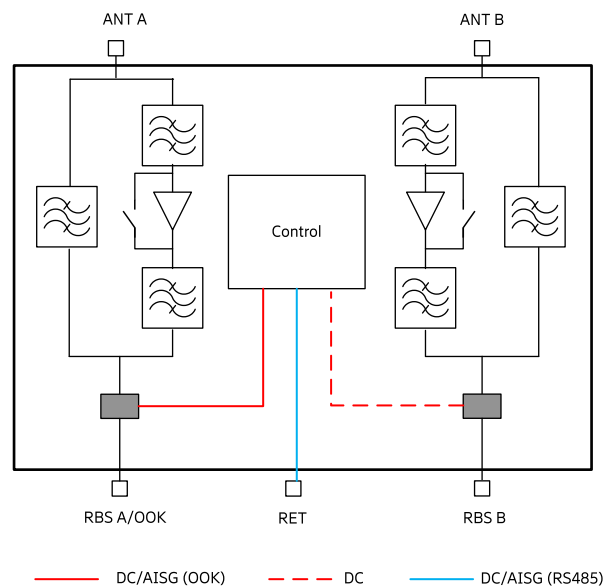
[ericsson.com/antenna-system](https://ericsson.com/antenna-system)



Scan or [click](#)

|   |         |  |  |
|---|---------|--|--|
| <b>Product No.</b><br><b>Product Name</b> |         | KRY 112 144/2<br>TMA B66 (2-2)   |  |
| <b>Radio Performance</b>                  |         |  |  |
| Receiving pass band:                      | MHz     | 1710–1780  |  |
| Transmitting pass band:                   |         | 2110–2200  |  |
| RX Gain                                   | dB      | 12±0.8*  |  |
| Input IP3                                 | dBm     | ≥ 22*  |  |
| Noise Figure (1710 –1780 MHz)             |         | ≤ 1.2*   |  |
| TX max input power (Max Peak)             | dBm     | 60   |  |
| RX Return Loss                            | dB      | ≥ 20*  |  |
| TX Return Loss                            | dB      | ≥ 20*  |  |
| TX Insertion Loss                         |         | ≥ 0.22*  |  |
| <b>Electrical Specifications</b>          |         |  |  |
| Input power                               | V DC    | +10 – + 30 (Operating Voltage Range)   |  |
| Power Consumptions                        | W       | < 4.5  |  |
| <b>Mechanical Specifications</b>          |         |  |  |
| Dimensions (WxDxH)                        | mm   in | 219.6 × 169 × 81   86.5 × 6.7 × 3.2  |  |
| Weight                                    | kg   lb | 4.4   9.7  |  |
| RF connector                              |         | 7-16 female  |  |
| RET Connector                             |         | 8-pin (f) IEC 60130-9  |  |
| Ground connector                          |         | M8   |  |
| Mounting alternatives                     |         | Rail or wall   |  |
| MTBF                                      |         | 80 years   |  |
| <b>Environmental Specifications</b>       |         |  |  |
| Temperature range, full performance       | °C      | -40 – +55  |  |
| Sealing                                   |         | IP 67  |  |
| Lightning protection                      |         | 5 kA, 10/350 μs  |  |
| Wind Load                                 |         | 90 N at 50/s   |  |
| Product Safety                            |         | International (CB): IEC 60950-1, IEC 60 950-22, IEC 60 529<br>Europe (CE): EN 60950-1, EN 60 950-22, EN 60 529<br>North America (ETL): UL 60950-1, UL 60950-22<br>CAN/CSA-C22.2 NO. 60950-1A-07, CAN/CSA-C22.2 NO 60950-22-07, UL 50E Ed.1 |  |

\* Typical values



Note:

- KRY 112 144/2 provides DC redundancy via RBS B



# TMA B1 (2-2)

KRY 112 442/16

- Ericsson Radio System designed TMA
- Verified as an RBS integrated system solution
- Possible to power either via one, or both feeders
- RET interface
- Supports AISG 2.0
- Automatic LNA by-pass
- Built-in lightning protection
- Excellent RF performance
- Wall mounting bracket and pole clamps are included



[ericsson.com/antenna-system](https://ericsson.com/antenna-system)



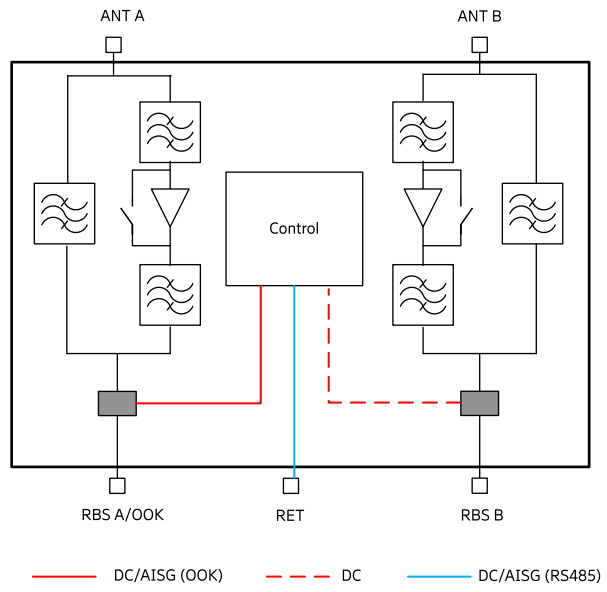
Scan or [click](#)

|                                       |  |                                   |
|---------------------------------------|--|-----------------------------------|
| <b>Product No.</b>                    | KRY 112 442/16   |                                   |
| <b>Product Name</b>                   | TMA B1 (2-2)   |                                   |
| <b>Radio Performance</b>              |  |                                   |
| Bandwidth                             | MHz  | 60                                |
| Receiving pass band:                  | MHz  | 1920 – 1980                       |
| Transmitting pass band:               | MHz  | 2110 – 2170                       |
| RX Gain                               | dB   | 12±1                              |
| Input IP3                             | dBm  | 18*                               |
| Noise figure midband                  | dBm  | 1.3*                              |
| TX max input power (Max Peak)         | dBm  | 58                                |
| TX max input power (Average Peak)     | dBm  | 50                                |
| TX Insertion loss                     | dB   | 0.3*                              |
| RX return loss                        | dB   | 22*                               |
| TX return loss                        | dB   | 22*                               |
| <b>Electrical Specifications**</b>    |  |                                   |
| Input voltage                         | VDC  | 10 to 32                          |
| Power consumptions (total)            | W  | < 1.5 (30 VDC)                    |
| <b>Mechanical Specifications</b>      |  |                                   |
| Dimensions (H x W x D)                | mm<br>in   | 230 x 160 x 60<br>9.1 x 6.3 x 2.4 |
| Weight                                | kg   lb  | 3.5   7.7                         |
| Color                                 | White (NCS S 1002-B), textured   |                                   |
| RF connector                          | 4.3-10 (f)<br>long shank   |                                   |
| RET connectors                        | 8-pin (f). IEC 60130-9   |                                   |
| Ground connector                      | M8   |                                   |
| Mounting                              | Pole or wall mounting  |                                   |
| <b>Environmental Specifications**</b> |  |                                   |
| Temperature range, full performance   | °C   | -40 to + 55                       |
| MTBF                                  | > 80 years   |                                   |
| Sealing                               | IP67   |                                   |
| Lightning protection                  | 5 kA 10/350 µs, 20 kA 8/20 µs (Common mode)  |                                   |
| Product Safety                        | International (CB): IEC 62368-1 Europe (CE): EN 62368-1<br>North America (ETL): CSA/UL 62368-1 |                                   |

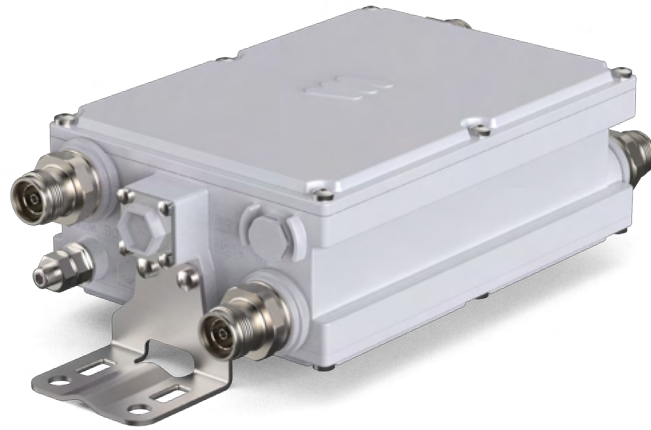
\* Typical values

\*\* Common values for all variants





Note:  
- KRY 112 442/16 provides DC redundancy via RBS B



# TMA B7 (2-2)

78211330V43

- Double unit for easy use with XPol antennas
- Supports AISG 2.0
- Suitable for antenna RET control according to AISG/3GPP standard
- By-pass mode to ensure cell operation in case of DC power down
- Built-in lightning protection



[ericsson.com/antenna-system](https://ericsson.com/antenna-system)



Scan or [click](#)

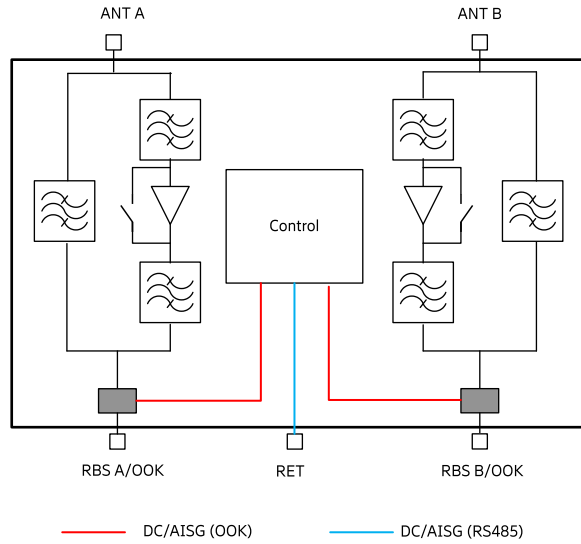
**AISG** = Antenna Interface Standards Group

**RET** = Remote Electrical Tilt

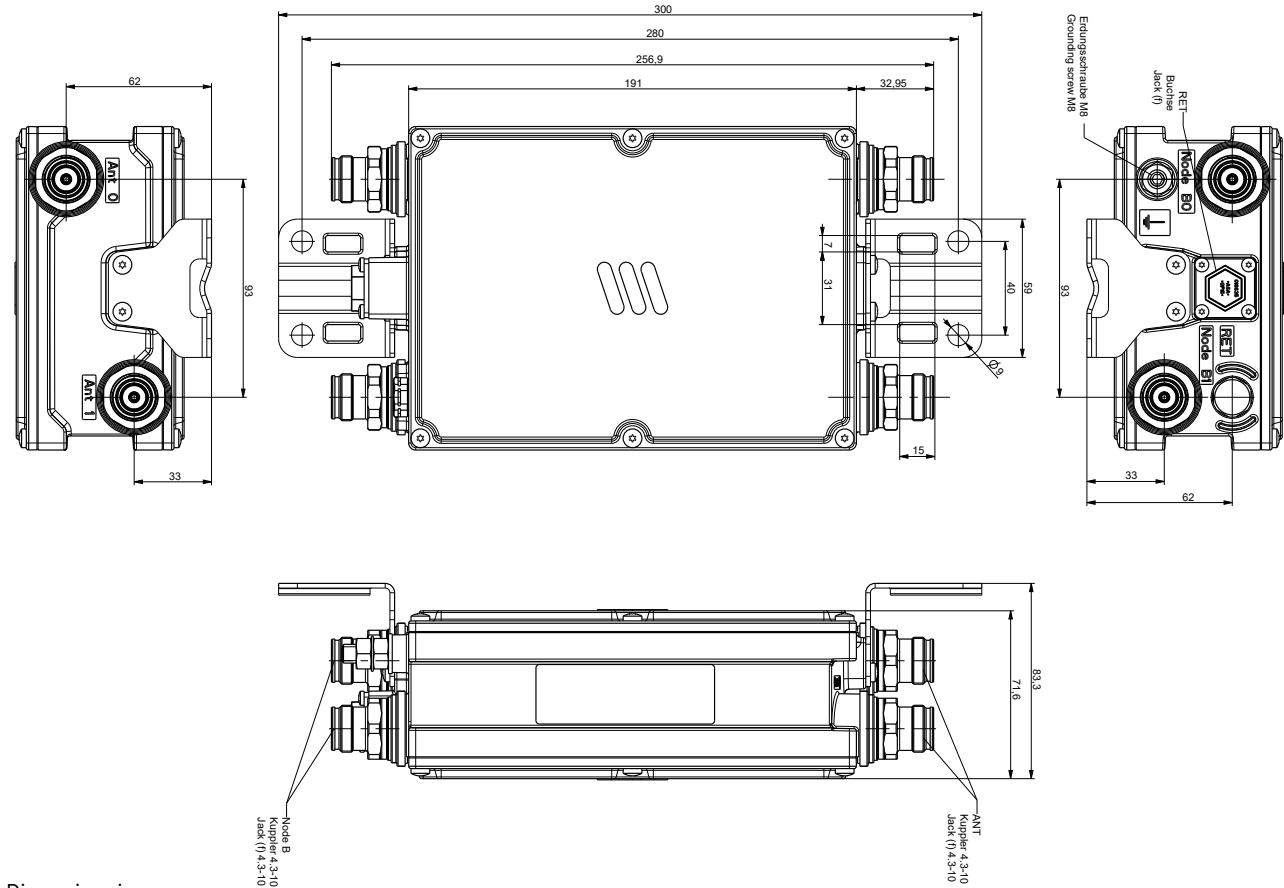
|  |           |   |
|--|-----------|---|
| <b>Product No.</b>                           |           | <b>78211330V43</b>  |
| <b>Product Name</b>                          |           | <b>TMA B7 (2-2)</b>   |
| <b>Tx Characteristics</b>                    |           |   |
| Frequency range                              | MHz       | 2620 – 2690   |
| Insertion loss                               | dB        | Typically 0.3   |
| Input power (per input)                      | kW        | < 0.1 (+50 dBm) CW / < 1.6 (+62 dBm) peak   |
| Intermodulation products in RX band          | dBm       | < -117 (2 Tx carriers at +43 dBm)   |
| Return loss                                  | dB        | > 18  |
| <b>Rx Characteristics</b>                    |           |   |
| Frequency range                              | MHz       | 2500 – 2570   |
| Loss in by-pass mode                         | dB        | Typically 1.8   |
| Return loss                                  | dB        | > 18 (DC ON)  |
| Gain   | dB        | 12, nominal   |
| Noise figure                                 | dB        | Typically 1.6   |
| Output 1-dB compression point                | dBm       | > 10  |
| 3 <sup>rd</sup> order intercept point (OIP3) | dBm       | Typically 25  |
| <b>Environmental Characteristics</b>         |           |   |
| Operating temperature range                  | °C   °F   | -40 ... +65   -40 ... +149  |
| IP rating                                    |           | IP67  |
| MTBF   | hours     | > 1 000 000 (per TMA)   |
| EMC  |           | According to ETS 300 342-3  |
| <b>DC and Alarm Characteristics</b>          |           |   |
| DC supply                                    | V         | 10 – 30   |
| Operating current per DTMA (without RET)     | mA<br>mA  | Nom. 130 at 10 V DC<br>Nom. 50 at 30 V DC   |
| Alarm management                             |           | AISG  |
| <b>Mechanical Characteristics</b>            |           |   |
| Material                                     |           | Aluminium housing   |
| Connectors                                   | RF<br>RET | 4.3-10 female<br>8-pin female, IEC 60130-9<br>(Pin 3: RS485B, pin 5: RS485A, pin 6: 10 – 30 V DC,<br>pin 7: DC return, other pins: not connected) |
| Mounting                                     |           | Wall mounting: With 4 screws (max. 8 mm diameter)<br>Mast mounting: With additional clamp set   |
| Weight                                       | kg   lb   | 3   6.6   |
| Dimensions (w x h x d)                       | mm   in   | 138 x 191 x 72   5.4 x 7.5 x 2.8<br>(without connectors, without mounting brackets)   |
| Packing size                                 | mm   in   | 217 x 397 x 170   8.5 x 15.6 x 6.7  |

**Accessories (order separately)**

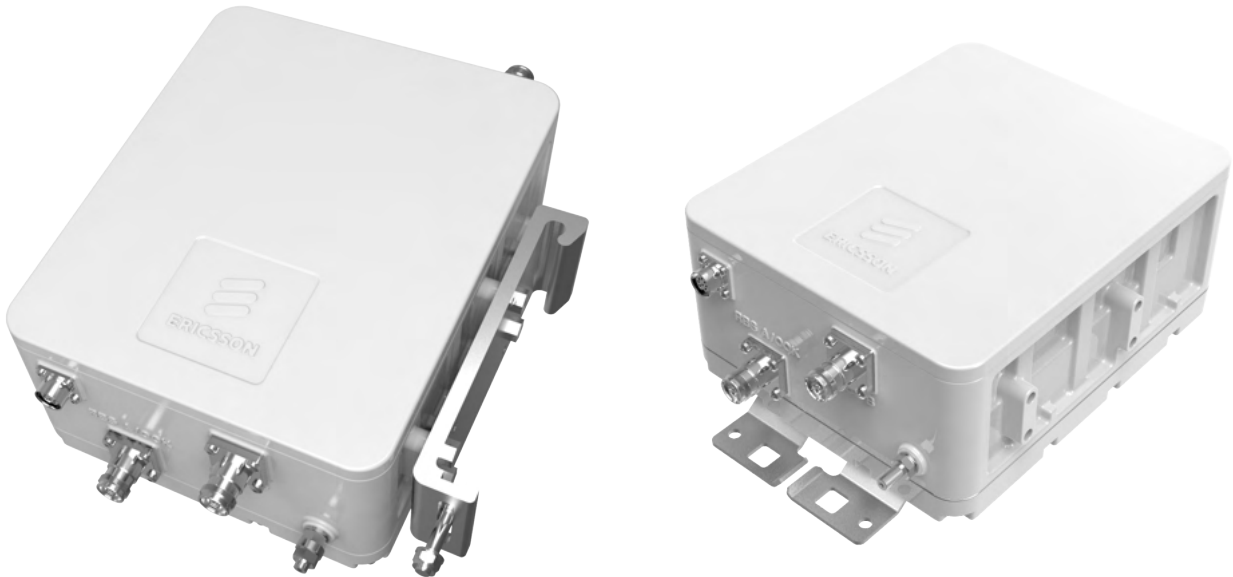
| Product No. |         | Clamp set suitable for mast diameter of |
|-------------|---------|---|
| 734360      | mm   in | 34–60   1.34–2.36                       |
| 734364      | mm   in | 120–140   4.72–5.51                     |
| 734365      | mm   in | 45–125   1.77–4.92                      |



Note:  
DC and AISG can be provided via RBS A or RBS B



Dimensions in mm



# TMA B8 B20 (2-2)

KRY 112 228/11

- Excellent RF performance
- Ericsson Radio System designed TMA, Rail mounting is possible
- Verified as an RBS integrated system solution
- Two RBS ports for feeder sharing, two ports for antenna sharing
- RET interface
- Supports AISG 2.0
- Automatic LNA by-pass
- Wall mounting bracket and pole clamps are included
- Possible to operate from one feeder



[ericsson.com/antenna-system](https://ericsson.com/antenna-system)

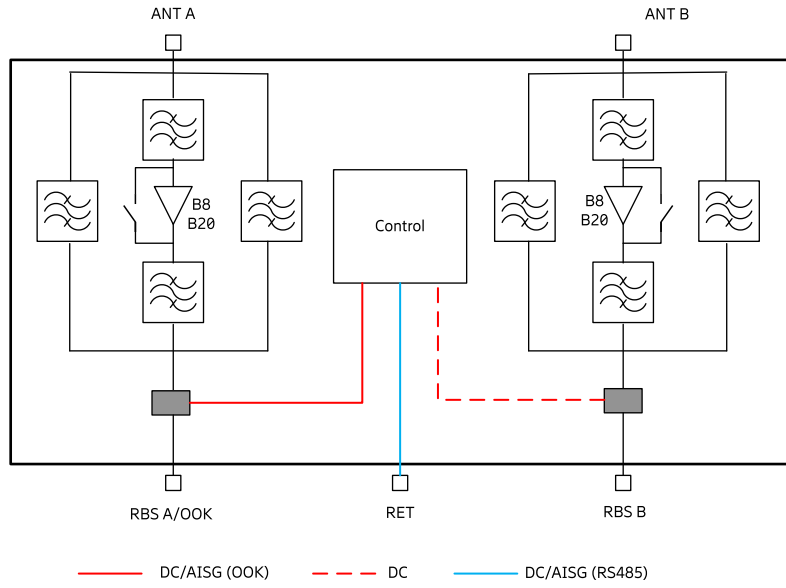


Scan or [click](#)

|  |         |  |  |
|--|---------|--|--|
| <b>Product No.</b>                     |         | <b>TMA B8 B20 (2-2)</b>  |  |
| <b>Product Name</b>                    |         | <b>KRY 112 228/11</b>  |  |
| <b>Radio performance B20 **</b>        |         |  |  |
| Receiving pass band:                   | MHz     | 832 - 862  |  |
| Transmitting pass band:                |         | 791 - 821  |  |
| 3GPP band                              |         | B20  |  |
| RX gain                                | dB      | 12*  |  |
| Noise figure                           | dB      | 1.2*   |  |
| Input IP3                              | dBm     | > 16*  |  |
| RX return loss                         | dB      | > 22*  |  |
| TX return loss                         | dB      | > 22*  |  |
| Input power at RBS port (max. average) | dBm     | 50   |  |
| TX insertion loss                      | dB      | 0.3*   |  |
| IM3 at Antenna port (2 x 43 dBm)       | dBm     | < -115*  |  |
| <b>Radio performance B8 **</b>         |         |  |  |
| Receiving pass band:                   | MHz     | 880 - 915  |  |
| Transmitting pass band:                |         | 925 - 960  |  |
| 3GPP band                              |         | B8   |  |
| RX gain                                | dB      | 12*  |  |
| Noise figure                           | dB      | 1.2*   |  |
| Input IP3                              | dBm     | > 16*  |  |
| RX return loss                         | dB      | > 22*  |  |
| TX return loss                         | dB      | > 22*  |  |
| Input power at RBS port (max. average) | dBm     | 50   |  |
| TX insertion loss                      | dB      | 0.3*   |  |
| IM3 at Antenna port (2 x 43 dBm)       | dBm     | < -115*  |  |
| <b>Electrical Specifications **</b>    |         |  |  |
| Input voltage                          | VDC     | 10 to 32   |  |
| Power consumption                      | W       | 2*   |  |
| Alarm protocol                         |         | AISG 2.0   |  |
| <b>Mechanical Specifications</b>       |         |  |  |
| Dimensions (H x W x D)                 | mm   in | 290 x 235 x 128   11.4 x 9.3 x 5.0   |  |
| Weight:                                | kg   lb | 10.7   23.6  |  |
| Color:                                 |         | White (NCS S 1002-B), textured   |  |
| RF connectors                          |         | 4.3-10 (f) long shank  |  |
| RET connector                          |         | IEC 60130-9  |  |
| Ground connector                       |         | M8 bolt  |  |
| Mounting                               |         | Rail, pole, or wall mounting (Rail bracket ordered separately)                                 |  |
| <b>Environmental Specifications **</b> |         |  |  |
| Temperature range, full performance:   | °C      | -40 to +55   |  |
| MTBF                                   |         | > 80 years   |  |
| Sealing                                |         | IP 67  |  |
| Lightning protection                   |         | 5 kA 10/350 µs, 20 kA 8/20 µs (Common mode)  |  |
| Product safety                         |         | International (CB): IEC 62368-1 Europe (CE): EN 62368-1<br>North America (ETL): CSA/UL 62368-1 |  |

\* Typical values

\*\* Complete coupling factor table see



Note:  
- KRY 112 228/11 provides DC redundancy via RBS B



# TMA B8 B20 (2-4)

78210517V44

- Double unit for easy use with XXPol antennas
- Suitable for antenna RET control according to AISG/3GPP standard
- Supports AISG 2.0
- Bypass mode to ensure cell operation in case of DC power down
- Built-in lightning protection
- DC Supply via RBS A, RBS B or both



[ericsson.com/antenna-system](https://ericsson.com/antenna-system)



Scan or [click](#)

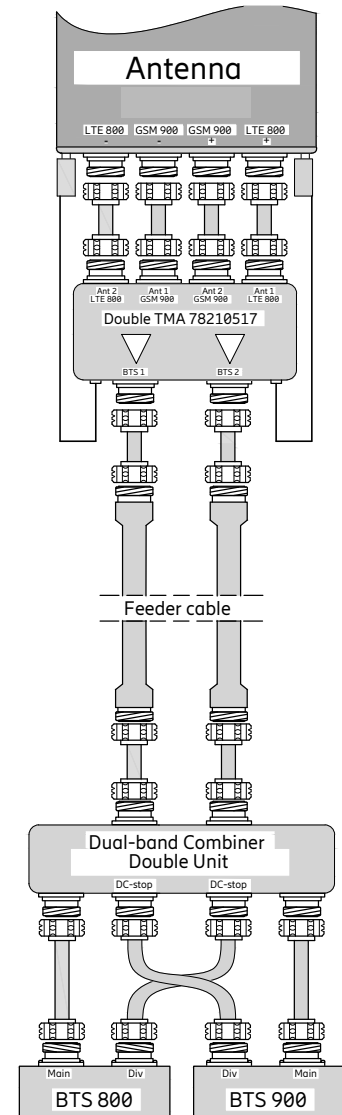


**AISG** = Antenna Interface Standards Group

**RET** = Remote Electrical Tilt

| Product No.<br>Product Name                  | Wide-Band Mode | 78210517V44<br>TMA B8 B20 (2-4)        |
|--|----------------|--|
| <b>800 MHz Tx Characteristics</b>            |                |  |
| Frequency range                              | MHz            | 791 – 821                              |
| Insertion loss                               | dB             | Typically 0.4                          |
| Input power (per input)                      | kW             | < 0.1 (+50 dBm) / < 1.6 (+62 dBm) peak |
| Intermodulation products in RX band          | dBm            | < -116 (2 Tx carriers at +43)          |
| Return loss                                  | dB             | > 18                                   |
| <b>800 MHz Rx Characteristics</b>            |                |  |
| Frequency range                              | MHz            | 832 – 862                              |
| Loss in bypass mode                          | dB             | Typically 2.0                          |
| Return loss                                  | dB             | > 18 (DC ON) / > 12 (DC OFF)           |
| Gain   | dB             | 12 nominal                             |
| Noise figure                                 | dB             | Typically 1.5                          |
| 3 <sup>rd</sup> order intercept point (OIP3) | dBm            | Typically 25                           |
| <b>900 MHz Tx Characteristics</b>            |                |  |
| Frequency range                              | MHz            | 925 – 960                              |
| Insertion loss                               | dB             | Typically 0.4                          |
| Input power (per input)                      | kW             | < 0.1 (+50 dBm) / < 1.6 (+62 dBm) peak |
| Intermodulation products in RX band          | dBm            | < -116 (2 Tx carriers at +43)          |
| Return loss                                  | dB             | > 18                                   |
| <b>900 MHz Rx Characteristics</b>            |                |  |
| Frequency range                              | MHz            | 880 – 915                              |
| Loss in bypass mode                          | dB             | Typically 2.0                          |
| Return loss                                  | dB             | > 18 (DC ON) / > 12 (DC OFF)           |
| Gain   | dB             | 12 nominal                             |
| Noise figure                                 | dB             | Typically 1.5                          |
| 3 <sup>rd</sup> order intercept point (OIP3) | dBm            | Typically 25                           |

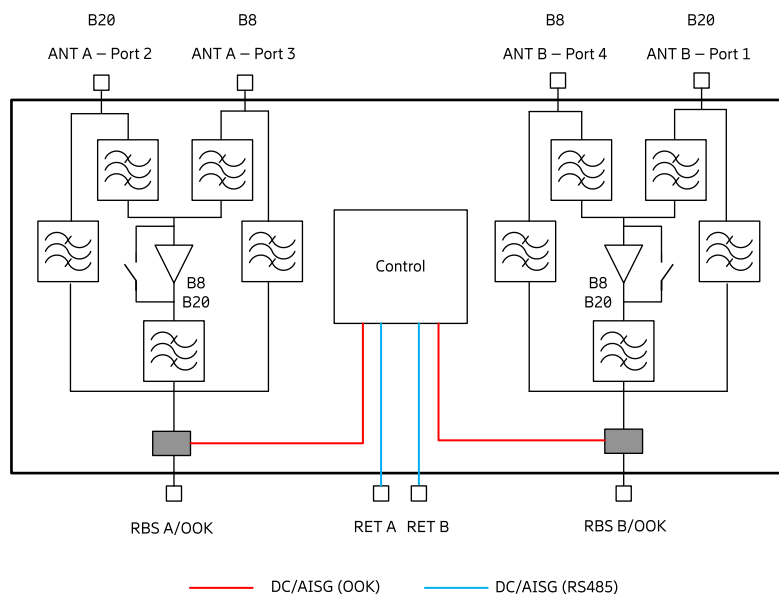
### Connector Configuration



| Environmental Characteristics            |          |  |
|--|----------|--|
| Operating temperature range              | °C   °F  | -40 ... +65   -40 ... +149   |
| IP rating                                |          | IP67   |
| MTBF                                     | hours    | > 1 000 000 (per TMA)  |
| EMC                                      |          | According to ETS 300 342-3   |
| Lightning protection                     | kA       | 3, 10/350 µs pulse   |
| DC and Alarm Characteristics             |          |  |
| DC supply                                | V DC     | 10 – 30  |
| Operating current per DTMA (without RET) | mA<br>mA | Nom. 190 at 10 V<br>Nom. 70 at 30 V  |
| Alarm management                         |          | AISG   |
| Mechanical Characteristics               |          |  |
| Material                                 |          | Aluminium housing  |
| Connectors RF<br>RET                     |          | 4.3-10 female<br>8-pin female, IEC 60130-9<br>(Pin 3: RS485B, pin 5: RS485A, pin 6: 9 – 31 V DC,<br>pin 7: DC return, other pins: Not connected) |
| Mounting                                 |          | Wall mounting: With 4 screws<br>(max. 8 mm   0.315 diameter)<br>Mast mounting: With additional clamps  |
| Weight                                   | kg   lb  | 11   24.25   |
| Packing size                             | mm   in  | 440 x 380 x 255   17.3 x 15 x 10   |
| Dimensions (w x h x d)                   | mm   in  | 300 x 258 x 147   11.8 x 10.15 x 5.78<br>(without connectors, without mounting brackets)   |

### Accessories (order separately)

| Product No. |         | Clamp set suitable for mast diameter of |
|-------------|---------|---|
| 731651      | mm   in | 28 – 60   1.10 – 2.36                   |
| 738546      | mm   in | 42 – 115   1.65 – 4.53                  |
| 85010002    | mm   in | 110 – 220   4.33 – 8.66                 |
| 85010003    | mm   in | 210 – 380   8.27 – 14.96                |



Note:  
DC and AISG can be provided via RBS A or RBS B  
RS485 signal on RET ports is identical



# TMA B1 B3 (2-4)

78210990V44

- Compact line
- Double units for easy use with XXPol antennas
- Supports AISG 1.1 and 2.0
- Supports Multi-Band, Wide Band (configuration 1 ... 6) and Single-Band Mode (configuration 7, 8 or 9)
- Suitable for antenna RET control according to AISG/3GPP standard
- Bypass mode to ensure cell operation in case of DC power down
- Built-in lightning protection
- DC Supply via BTS 0, BTS 1 or both
- Auto-Select feature for Multi-Band and Wide-Band Mode
- Low inrush current



[ericsson.com/antenna-system](https://ericsson.com/antenna-system)



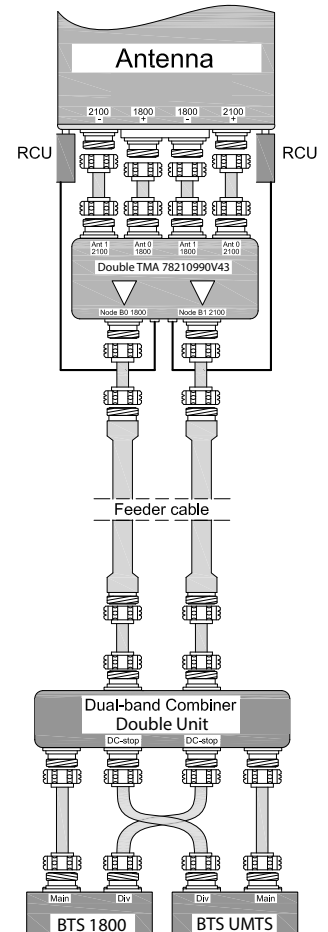
Scan or [click](#)

**AISG** = Antenna Interface Standards Group

**RET** = Remote Electrical Tilt

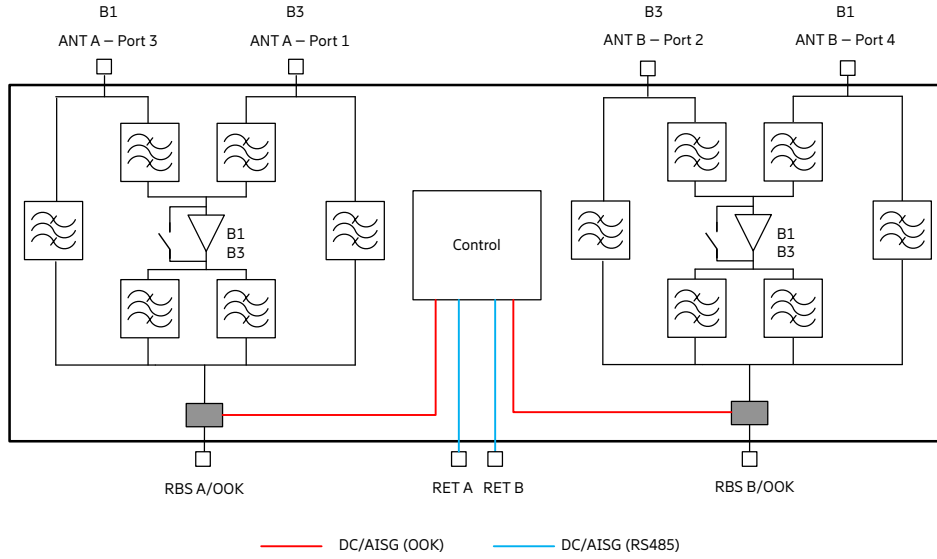
| Product No.<br>Product Name                   | Wide-Band Mode | 78210990V44<br>TMA B1 B3 (2-4)   |               |
|---|----------------|--|---------------|
| <b>Tx Characteristics</b>                     |                |  |               |
| Frequency range                               | MHz            | 1805 – 1880  | 2110 – 2170   |
| Insertion loss                                | dB             | Typically 0.5  | Typically 0.3 |
| Input power<br>(per input and frequency band) | kW             | < 0.1 (+50 dBm) / < 1.6 kW (+62 dBm) peak  |               |
| Intermodulation products in<br>Rx band        | dBm            | < -117 (2 Tx carriers at +43 dBm)  |               |
| Return loss                                   | dB             | > 18   |               |
| <b>Rx Characteristics</b>                     |                |  |               |
| Frequency range                               | MHz            | 1710 – 1785  | 1920 – 1980   |
| Return loss                                   | dB             | > 16 (DC ON) / > 12  |               |
| Loss in bypass mode                           | dB             | Typically 2.3 (DC OFF)   |               |
| Gain  | dB             | nominal 12   |               |
| Noise figure                                  | dB             | Typically 1.4  |               |
| 3 <sup>rd</sup> order intercept point (OIP3)  | dBm            | Typically 30   |               |
| <b>Environmental Characteristics</b>          |                |  |               |
| Operating temperature range                   | °C   °F        | -40 ... +65   -40 ... +149   |               |
| IP rating                                     |                | IP67   |               |
| MTBF  | hours          | > 1 000 000 (per TMA)  |               |
| EMC   |                | According to ETS 300 342-3   |               |
| <b>DC and Alarm Characteristics</b>           |                |  |               |
| DC supply                                     | V DC           | 10 – 30  |               |
| Operating current per DTMA<br>(without RET)   | mA<br>mA       | Nom. 175 at 10 V<br>Nom. 65 at 30 V  |               |
| Alarm management                              |                | AISG   |               |
| <b>Mechanical Characteristics</b>             |                |  |               |
| Material                                      |                | Aluminium housing  |               |
| Connectors RF<br>AISG                         |                | 4.3-10 female<br>8-pin female, IEC 60130-9<br>(Pin 3: RS485B, pin 5: RS485A, pin 6: 9 – 30 V DC,<br>pin 7: DC return, other pins: Not connected) |               |
| Mounting                                      |                | Wall mounting: With 4 screws<br>(max. 8 mm diameter) /<br>Mast mounting: With additional clamps  |               |
| Weight  | kg   lb        | 6.5   14.4   |               |
| Packing size                                  | mm   in        | 300 x 435 x 190   11.8 x 17.1 x 7.5  |               |
| Dimensions (w x h x d)                        | mm   in        | 220 x 220 x 83   8.7 x 8.7 x 3.27<br>(without connectors, without mounting brackets)   |               |

Connector configuration

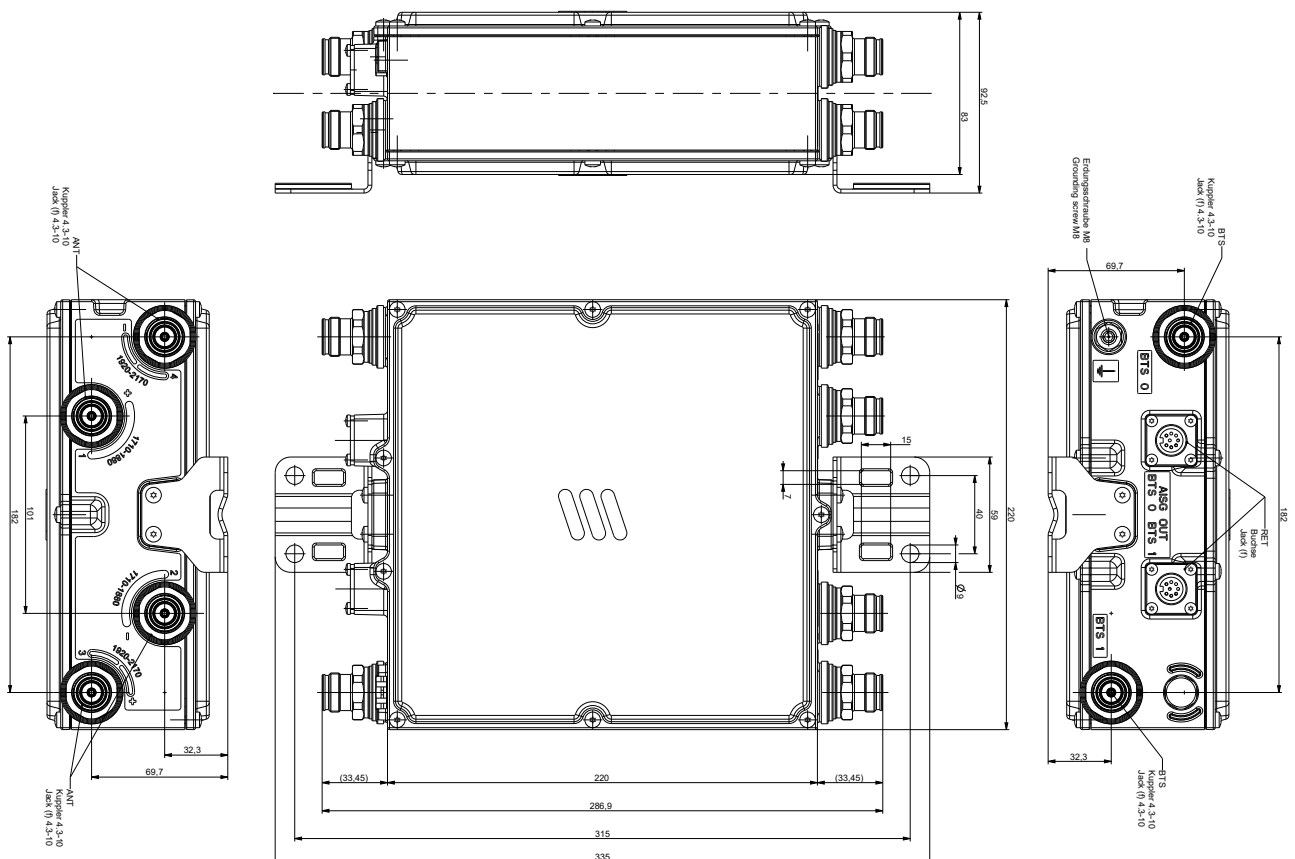


### Accessories (order separately)

| Product No. |         | Clamp set suitable for mast diameter of |
|-------------|---------|---|
| 734360      | mm   in | 34–60   1.34–2.36                       |
| 734364      | mm   in | 120–140   4.72–5.51                     |
| 734365      | mm   in | 45–125   1.77–4.92                      |



Note:  
DC and AISG can be provided via RBS A or RBS B  
RS485 signal on RET ports is identical





# TMA B1 B3

## Bypass 1400 (2-2)

78211107V02

- Double unit for easy use with XXPOL antennas
- Suitable for antenna RET control according to AISG/3GPP standard
- Supports AISG 2.0
- Bypass mode to ensure cell operation in case of DC power down
- Built-in lightning protection
- DC Supply via RBS A, RBS B or both



[ericsson.com/antenna-system](https://ericsson.com/antenna-system)



Scan or [click](#)

**AISG** = Antenna Interface Standards Group

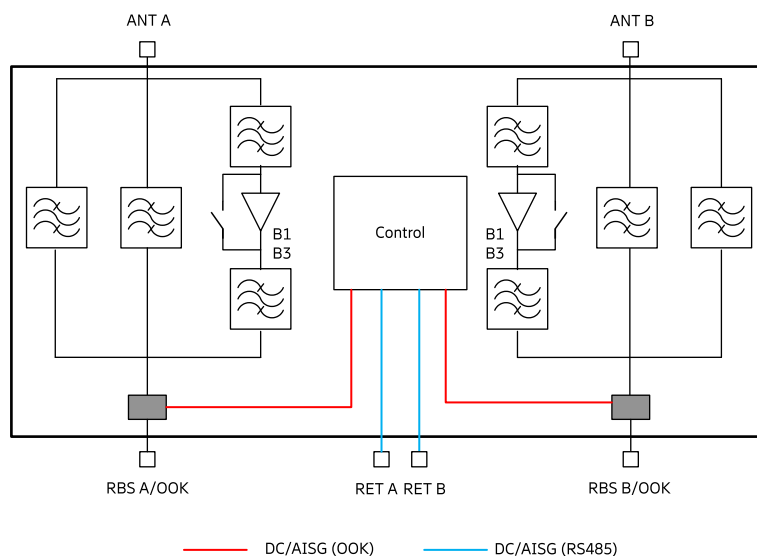
**RET** = Remote Electrical Tilt

| Product No.<br>Product Name                   | Wide-Band Mode | 78211107V02<br>TMA B1 B3 Bypass 1400 (2-2) |
|---|----------------|--|
| <b>1800 MHz Tx Characteristics</b>            |                |  |
| Frequency range                               | MHz            | 1805 – 1880                                |
| Insertion loss                                | dB             | Typically 0.5                              |
| Input power<br>(per input and frequency band) | kW             | < 0.1 (+50 dBm) / < 1.6 (+62 dBm) peak     |
| Intermodulation products in RX band           | dBm            | < -117 (2 Tx carriers at +43 dBm)          |
| Return loss                                   | dB             | > 18                                       |
| <b>1800 MHz Rx Characteristics</b>            |                |  |
| Frequency range                               | MHz            | 1710 – 1785                                |
| Return loss                                   | dB             | > 18 (DC ON) / > 12 (DC OFF)               |
| Loss in bypass mode                           | dB             | Typically 2.0 (DC OFF)                     |
| Gain  | dB             | 12 nominal                                 |
| Noise figure                                  | dB             | Typically 1.5                              |
| Output 1-dB compression point                 | dBm            | > 10                                       |
| 3 <sup>rd</sup> order intercept point (OIP3)  | dBm            | Typically 25                               |
| <b>UMTS Tx Characteristics</b>                |                |  |
| Frequency range                               | MHz            | 2110 – 2170                                |
| Insertion loss                                | dB             | Typically 0.3                              |
| Input power<br>(per input and frequency band) | kW             | < 0.1 (+50 dBm) / < 1.6 (+62 dBm) peak     |
| Intermodulation products in RX band           | dBm            | < -117 (2 Tx carriers at +43 dBm)          |
| Return loss                                   | dB             | > 18                                       |
| <b>UMTS Rx Characteristics</b>                |                |  |
| Frequency range                               | MHz            | 1920 – 1980                                |
| Return loss                                   | dB             | > 18 (DC ON) / > 12 (DC OFF)               |
| Loss in bypass mode                           | dB             | Typically 2.0 (DC OFF)                     |
| Gain  | dB             | 12 nominal                                 |
| Noise figure                                  | dB             | Typically 1.5                              |
| Output 1-dB compression point                 | dBm            | > 10                                       |
| 3 <sup>rd</sup> order intercept point (OIP3)  | dBm            | Typically 25                               |

| 1427 - 1518 MHz Bypass Characteristics   |           |  |
|--|-----------|--|
| Frequency range                          | MHz       | 1427 – 1518  |
| Insertion loss                           | dB        | Typically 0.15   |
| Input power                              | kW        | < 0.1 (+50 dBm)  |
| Intermodulation products                 | dBm       | < -117 (2 Tx carriers at + 43 dBm)   |
| Return loss                              | dB        | > 18   |
| Environmental Characteristics            |           |  |
| Operating temperature range              | °C   °F   | -40 ... +65   -40 ... +149   |
| IP rating                                |           | IP67   |
| MTBF                                     | hours     | > 1 000 000 (per TMA)  |
| EMC                                      |           | According to ETS 300 342-3   |
| DC and Alarm Characteristics             |           |  |
| DC supply                                | V         | 10 – 30  |
| Operating current per DTMA (without RET) | mA<br>mA  | Nom. 175 @ 10 V<br>Nom. 65 @ 30 V  |
| Alarm management                         |           | AISG   |
| Mechanical Characteristics               |           |  |
| Material                                 |           | Aluminium housing  |
| Connectors                               | RF<br>RET | 4.3-10 female, 8-pin female, IEC 60130-9, (Pin 3: RS485B, pin 5: RS485A, pin 6: 10 - 30 V DC, pin 7: DC return, other pins: Not connected) |
| Mounting                                 | mm   in   | Wall mounting: With 4 screws (max. 8   0.315 diameter)<br>Mast mounting  |
| Weight                                   | kg   lb   | 8.8   19.4   |
| Dimensions (w x h x d)                   | mm   in   | 290 x 235 x 94 / 11.4 x 9.3 x 3.7  |
| Packing size                             | mm   in   | 420 x 335 x 175 / 16.5 x 13.2 x 6.9  |

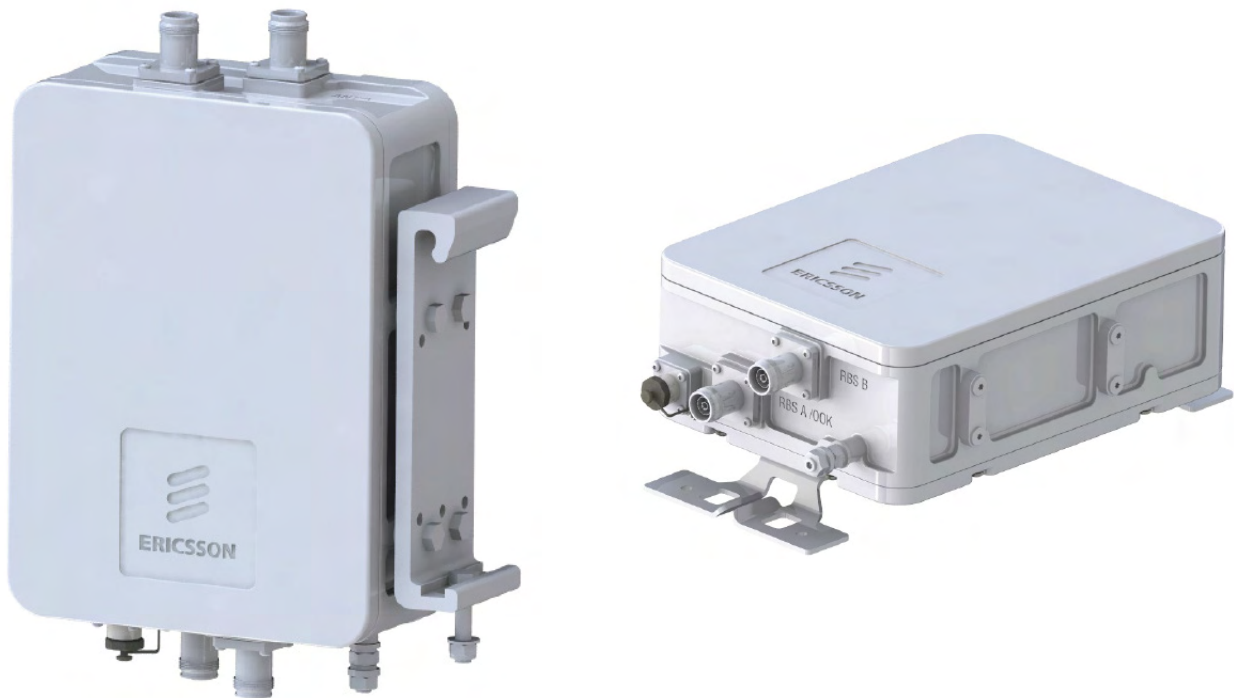
### Accessories (order separately)

| Product No. |         | Clamp set suitable for mast diameter of |
|-------------|---------|---|
| 734360      | mm   in | 34 – 60   1.33 – 2.36                   |
| 734364      | mm   in | 120 – 140   4.72 – 5.51                 |
| 734365      | mm   in | 45 – 125   1.77 – 4.92                  |



Note:  
DC and AISG can be provided via RBS A or RBS B  
RS485 signal on RET ports is identical





# TMA B1 B3 (2-2)

KRY 112 227/12

- Excellent RF performance
- Ericsson Radio System designed TMA, Rail mounting is possible
- Verified as an RBS integrated system solution
- Two RBS ports for feeder sharing, two ports for antenna sharing
- RET interface
- Supports AIS 2.0
- Automatic LNA by-pass
- Wall mounting bracket and pole clamps are included
- Possible to operate from one feeder



[ericsson.com/antenna-system](https://ericsson.com/antenna-system)



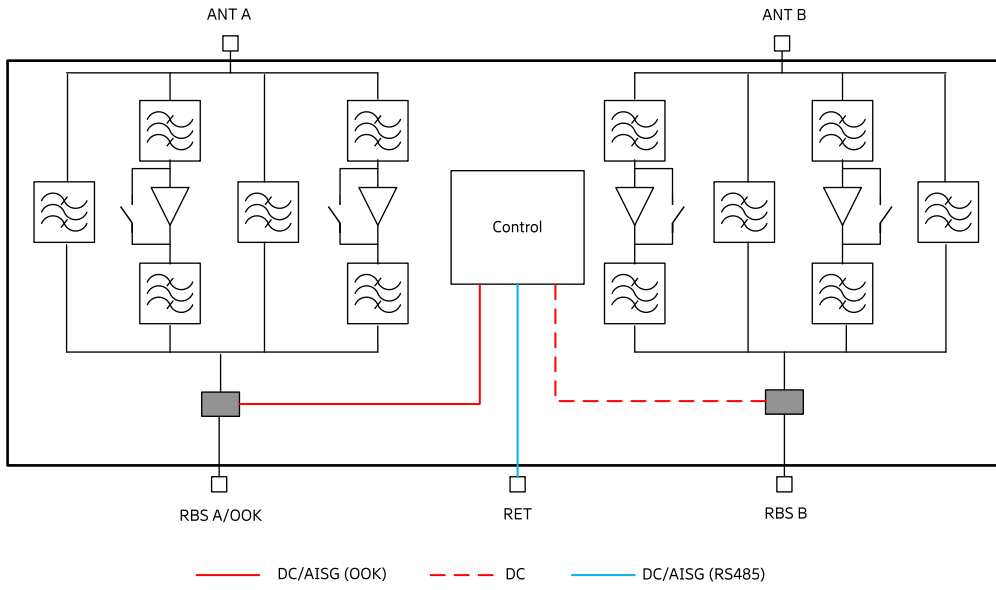
Scan or [click](#)

|  |          |   |  |
|--|----------|---|--|
| <b>Product No.</b>                     |          | <b>KRY 112 227/12</b>   |  |
| <b>Product Name</b>                    |          | <b>TMA B1 B3 (2-2)</b>  |  |
| <b>Radio Performance B3 **</b>         |          |   |  |
| Receiving pass band:                   | MHz      | 1710 – 1785   |  |
| Transmitting pass band:                |          | 1805 – 1880   |  |
| 3GPP band                              |          | B3  |  |
| RX gain                                | dB       | 12*   |  |
| Noise figure                           | dB       | 1.2*  |  |
| Input IP3                              | dBm      | > 14*   |  |
| RX return loss                         | dB       | > 20*   |  |
| TX return loss: Input power at         | dB       | > 20*   |  |
| Input power RBS port (max. average)    | dBm      | 55  |  |
| TX insertion loss                      | dB       | 0.4*  |  |
| IM3 at Antenna port (2x43 dBm)         | dBm      | < -118*   |  |
| <b>Radio Performance B1</b>            |          |   |  |
| Receiving pass band:                   | MHz      | 1920 – 1980   |  |
| Transmitting pass band:                |          | 2110 – 2170   |  |
| 3GPP band                              |          | B1  |  |
| RX gain                                | dB       | 12*   |  |
| Noise figure                           | dB       | 1.2*  |  |
| Input IP3                              | dBm      | > 15*   |  |
| RX return loss                         | dB       | > 20*   |  |
| TX return loss                         | dB       | > 20*   |  |
| Input power at RBS port (max. average) | dBm      | 50  |  |
| TX insertion loss                      | dB       | 0.3*  |  |
| IM7 at Antenna port (2x43 dBm)         | dBm      | < -128*   |  |
| <b>Electrical Specifications**</b>     |          |   |  |
| Input voltage                          | VDC      | 10 to 32  |  |
| Power consumption                      | W        | 4*  |  |
| Alarm protocol                         |          | AISG 2.0  |  |
| <b>Mechanical Specifications</b>       |          |   |  |
| Dimensions (H x W x D)                 | mm<br>in | 270 x 200 x 96<br>10.6 x 7.9 x 3.8  |  |
| Weight                                 | kg   lb  | 7.7   17.0  |  |
| Color                                  |          | White<br>(NCS S 1002-B), textured   |  |
| RF connectors                          |          | 4.3-10 (f)<br>long shank  |  |
| RET connector                          |          | IEC 60130-9   |  |
| Ground connector                       |          | M8 bolt   |  |
| Mounting                               |          | Rail, pole, or wall***  |  |
| <b>Environmental Specifications**</b>  |          |   |  |
| Temperature range, full performance    | °C       | -40 to +55  |  |
| MTBF                                   |          | > 80 years  |  |
| Sealing                                |          | IP67  |  |
| Lightning protection                   |          | 5 kA 10/350 µs, 20 kA 8/20 µs (Common mode)   |  |
| Product safety                         |          | International (CB): IEC 62368-1<br>Europe (CE): EN 62368-1<br>North America (ETL): CSA/UL 62368-1 |  |

\* Typical values

\*\* Common values

\*\*\* Rail bracket ordered separately



Note:  
- KRY 112 227/12 provides DC redundancy via RBS B



# TMA B1 B3

## Bypass 1400 + Bypass LB (2-6)

KRY 112 234/1

- Excellent RF performance
- Ericsson Radio System designed TMA, Rail mounting is possible
- Verified as an RBS integrated system solution
- Two RBS ports for feeder sharing, two ports for antenna sharing
- RET interface
- Supports AISG 2.0
- Automatic LNA by-pass
- Wall mounting bracket and pole clamps are included
- Possible to operate from one feeder



[ericsson.com/antenna-system](https://ericsson.com/antenna-system)



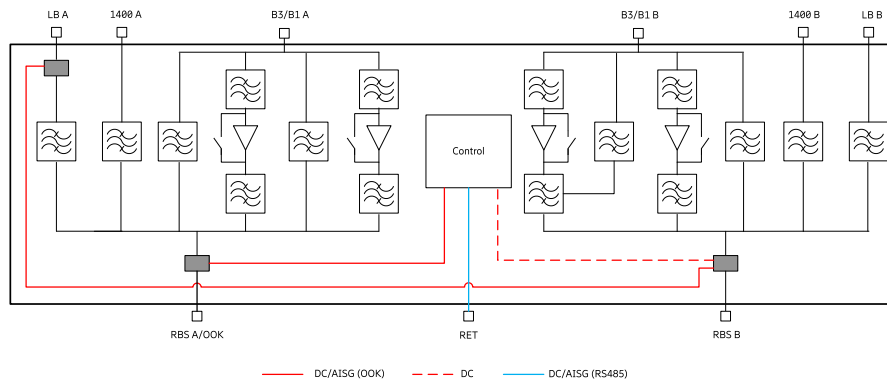
Scan or [click](#)

|                                       |     |  |  |
|---------------------------------------|-----|--|--|
| <b>Product No.</b>                    |     | <b>KRY 112 234/1</b>                             |  |
| <b>Product Name</b>                   |     | <b>TMA B1 B3 + Bypass 1400 + Bypass LB (2-6)</b> |  |
| <b>Radio performance B1</b>           |     |  |  |
| Receiving pass band:                  | MHz | 1920 - 1980                                      |  |
| Transmitting pass band:               |     | 2110 - 2170                                      |  |
| 3GPP band                             |     | B1   |  |
| RX gain                               | dB  | 12*  |  |
| Noise figure                          | dB  | 1.2*   |  |
| Input IP3                             | dBm | 15*  |  |
| RX return loss                        | dB  | > 18*  |  |
| TX return loss                        | dB  | > 18*  |  |
| Input power at RBS port (max.average) | dBm | 50   |  |
| TX insertion loss                     | dB  | 0.3*   |  |
| IM3 at Antenna port (2x43 dBm)        | dBm | < -115*  |  |
| <b>Radio performance B3</b>           |     |  |  |
| Receiving pass band:                  | MHz | 1710 - 1785                                      |  |
| Transmitting pass band:               |     | 1805 - 1880                                      |  |
| 3GPP band                             |     | B3   |  |
| RX gain                               | dB  | 12*  |  |
| Noise figure                          | dB  | 1.3*   |  |
| Input IP3                             | dBm | 15*  |  |
| RX return loss                        | dB  | > 18*  |  |
| TX return loss                        | dB  | > 18*  |  |
| Input power at RBS port (max.average) | dBm | 50   |  |
| TX insertion loss                     | dB  | 0.4*   |  |
| IM3 at Antenna port (2x43 dBm)        | dBm | < -115*  |  |
| <b>Radio performance 1400</b>         |     |  |  |
| Frequency range                       | MHz | 1427 - 1517                                      |  |
| Insertion loss                        | dB  | 0.2*   |  |
| Return loss                           | dB  | > 18*  |  |
| Input power at RBS port (max.average) | dBm | 50   |  |
| IM3 at Antenna port (2x43 dBm)        | dBm | < -115*  |  |
| <b>Radio performance LB</b>           |     |  |  |
| Frequency range                       | MHz | 380 - 960  |  |
| Insertion loss                        | dB  | 0.1*   |  |
| Return loss                           | dB  | > 18*  |  |
| Input power at RBS port (max.average) | dBm | 54.8   |  |
| IM3 at Antenna port (2x43 dBm)        | dBm | < -115*  |  |
| DC configuration                      |     | Bypass   |  |
| <b>Electrical Specifications</b>      |     |  |  |
| Input voltage                         | VDC | 10 to 32   |  |
| Power consumption                     | W   | 9  |  |
| Alarm protocol                        |     | AISG 2.0   |  |

| Mechanical Specifications           |         |  |
|-------------------------------------|---------|--|
| Dimensions (H x W x D)              | mm   in | 265 x 260 x 96   10.4 x 10.2 x 3.8                         |
| Weight                              | kg   lb | 9.3   20.5   |
| Color                               |         | White (NCS S 1002-B), textured                             |
| RF connectors                       |         | 4.3-10 (f)   |
| RET connector                       |         | IEC 60130-9  |
| Ground connector                    |         | M8 bolt  |
| Mounting                            |         | Rail, pole, or wall**                                      |
| Environmental Specifications        |         |  |
| Temperature range, full performance | °C      | -40 to +55   |
| MTBF                                |         | > 80 years   |
| Sealing                             |         | IP67   |
| Lightning protection                |         | 5 kA 10/350 µs (Common mode)                               |
| Product safety                      |         | International (CB): IEC 62368-1<br>Europe (CE): EN 62368-1 |

\* Typical values

\*\* Rail bracket ordered separately



Note:

- KRY 112 234/1 provides DC redundancy via RBS B
- KRY 112 234/1 supports an additional Low Band TMA (DC/AISG passthrough from port RBS B to port LB A)



# TMA B1 B3

## Bypass 1400 + Bypass LB (2-4)

KRY 112 235/1

- Excellent RF performance
- Ericsson Radio System designed TMA, Rail mounting is possible
- Verified as an RBS integrated system solution
- Two RBS ports for feeder sharing, two ports for antenna sharing
- RET interface
- Supports AISG 2.0
- Automatic LNA by-pass
- Wall mounting bracket and pole clamps are included
- Possible to operate from one feeder



[ericsson.com/antenna-system](https://ericsson.com/antenna-system)



Scan or [click](#)

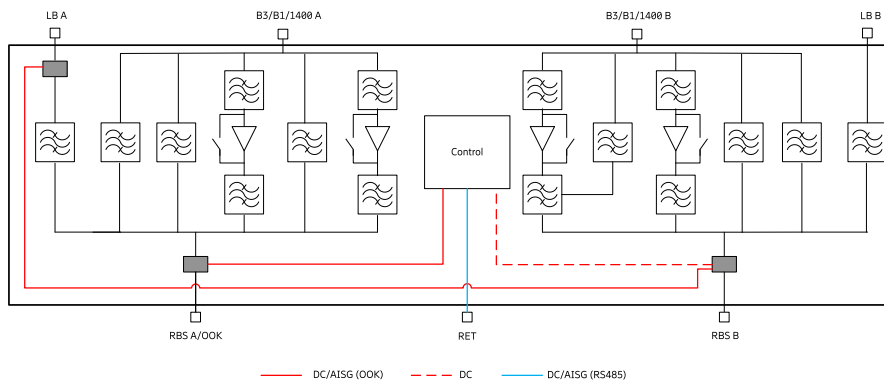
|                                       |     |  |  |
|---------------------------------------|-----|--|--|
| <b>Product No.</b>                    |     | <b>KRY 112 235/1</b>                           |  |
| <b>Product Name</b>                   |     | <b>TMA B1 B3 Bypass 1400 + Bypass LB (2-4)</b> |  |
| <b>Radio performance B1</b>           |     |  |  |
| Receiving pass band:                  | MHz | 1920 - 1980                                    |  |
| Transmitting pass band:               |     | 2110 - 2170                                    |  |
| 3GPP band                             |     | B1   |  |
| RX gain                               | dB  | 12*  |  |
| Noise figure                          | dB  | 1.2*   |  |
| Input IP3                             | dBm | 15*  |  |
| RX return loss                        | dB  | > 20*  |  |
| TX return loss                        | dB  | > 20*  |  |
| Input power at RBS port (max.average) | dBm | 50   |  |
| TX insertion loss                     | dB  | 0.3*   |  |
| IM3 at Antenna port (2x43 dBm)        | dBm | < -115*  |  |
| <b>Radio performance B3</b>           |     |  |  |
| Receiving pass band:                  | MHz | 1710 - 1785                                    |  |
| Transmitting pass band:               |     | 1805 - 1880                                    |  |
| 3GPP band                             |     | B3   |  |
| RX gain                               | dB  | 12*  |  |
| Noise figure                          | dB  | 1.2*   |  |
| Input IP3                             | dBm | 15*  |  |
| RX return loss                        | dB  | > 20*  |  |
| TX return loss                        | dB  | > 20*  |  |
| Input power at RBS port (max.average) | dBm | 50   |  |
| TX insertion loss                     | dB  | 0.4*   |  |
| IM3 at Antenna port (2x43 dBm)        | dBm | < -115*  |  |
| <b>Radio performance 1400</b>         |     |  |  |
| Frequency range                       | MHz | 1427 - 1517                                    |  |
| Insertion loss                        | dB  | 0.2*   |  |
| Return loss                           | dB  | > 20*  |  |
| Input power at RBS port (max.average) | dBm | 50   |  |
| IM3 at Antenna port (2x43 dBm)        | dBm | < -115*  |  |
| <b>Radio performance LB</b>           |     |  |  |
| Frequency range                       | MHz | 380 - 960                                      |  |
| Insertion loss:                       | dB  | 0.1*   |  |
| Return loss:                          | dB  | 20*  |  |
| Input power at RBS port (max.average) | dBm | 54.8   |  |
| IM3 at Antenna port (2x43 dBm)        | dBm | < -115*  |  |
| DC configuration                      |     | Bypass   |  |
| <b>Electrical Specifications</b>      |     |  |  |
| Input voltage                         | VDC | 10 to 32                                       |  |
| Power consumption                     | W   | 9  |  |
| Alarm protocol                        |     | AISG 2.0                                       |  |



| Mechanical Specifications           |         |  |
|-------------------------------------|---------|--|
| Dimensions (H x W x D)              | mm   in | 265 x 260 x 96   10.4 x 10.2 x 3.8                         |
| Weight                              | kg   lb | 9.3   20.5   |
| Color                               |         | White (NCS S 1002-B), textured                             |
| RF connectors                       |         | 4.3-10 (f)   |
| RET connector                       |         | IEC 60130-9  |
| Ground connector                    |         | M8 bolt  |
| Mounting                            |         | Rail, pole, or wall**                                      |
| Environmental Specifications        |         |  |
| Temperature range, full performance | °C      | -40 to + 55  |
| MTBF                                |         | > 80 years   |
| Sealing                             |         | IP67   |
| Lightning protection                |         | 5 kA 10/350 μs (Common mode)                               |
| Product safety                      |         | International (CB): IEC 62368-1<br>Europe (CE): EN 62368-1 |

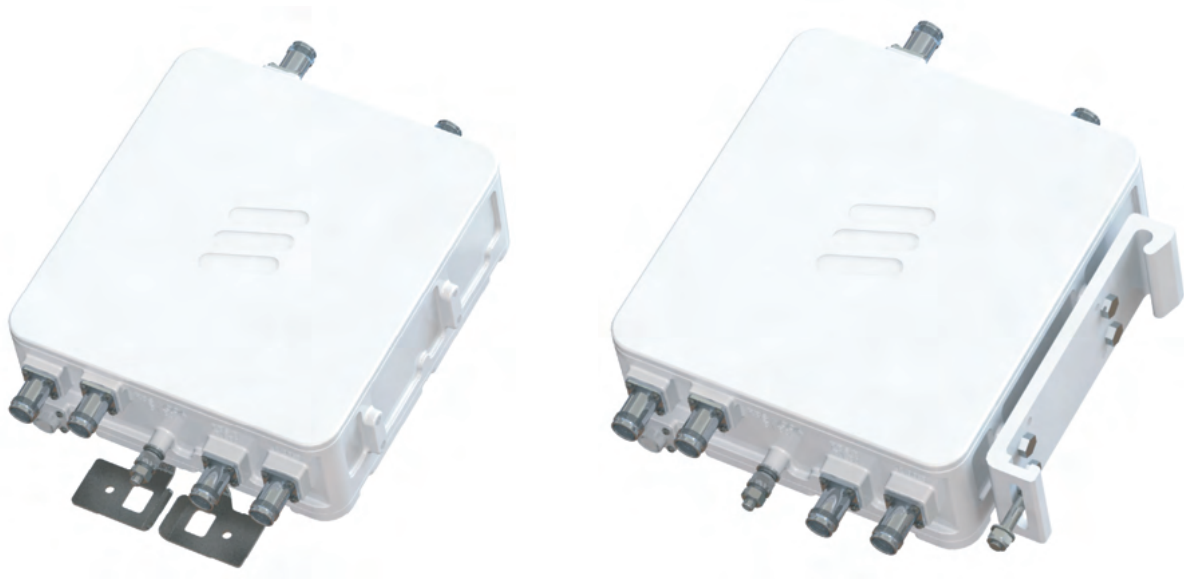
\* Typical values

\*\* Rail bracket ordered separately



Note:

- KRY 112 235/1 provides DC redundancy via RBS B
- KRY 112 235/1 supports an additional Low Band TMA (DC/AISG passthrough from port RBS B to port LB A)



# TMA B1 B3 + Bypass 1400 (4-2)

KRY 112 238/1

- Excellent RF performance
- Ericsson Radio System designed TMA, Rail mounting is possible
- Verified as an RBS integrated system solution
- Two RBS ports and two 1400 ports on one side to provide combiner functionality.  
Two ANT ports for antenna sharing.
- RET interface
- Supports AISG 2.0
- Automatic LNA by-pass
- Wall mounting bracket and pole clamps are included
- Possible to operate from one feeder



[ericsson.com/antenna-system](https://ericsson.com/antenna-system)



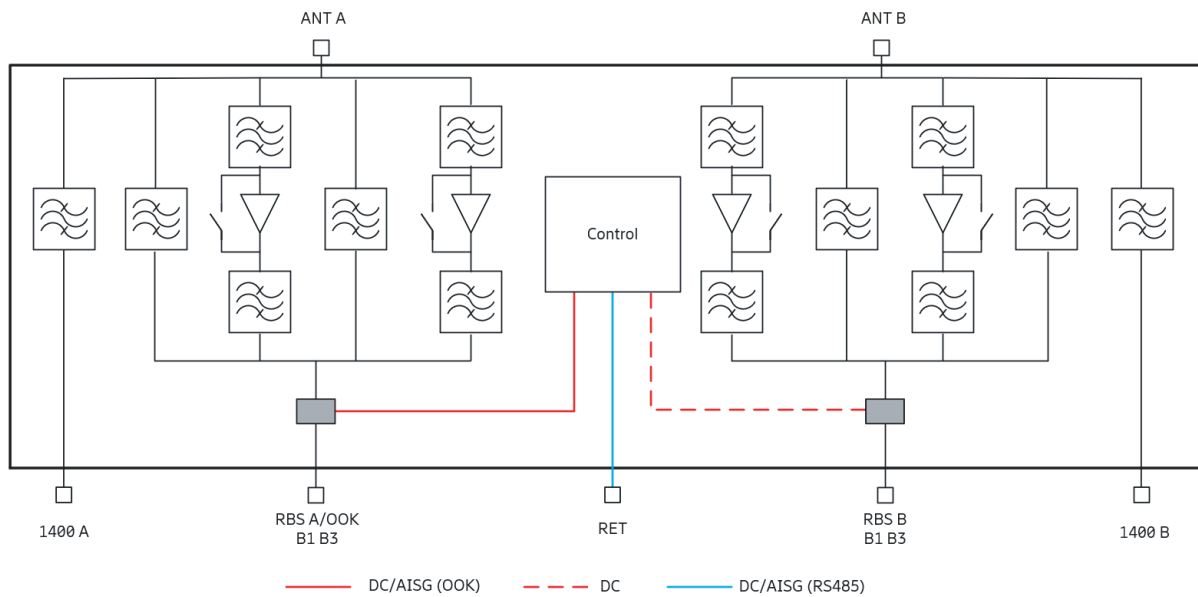
Scan or [click](#)

|                                       |     |  |  |
|---------------------------------------|-----|--|--|
| <b>Product No.</b>                    |     | <b>KRY 112 238/1</b>                         |  |
| <b>Product Name</b>                   |     | <b>TMA B1 B3 + Bypass 1400 (4-2), 4.3-10</b> |  |
| <b>Radio performance B1</b>           |     |  |  |
| Receiving pass band:                  | MHz | 1920 - 1980                                  |  |
| Transmitting pass band:               |     | 2110 - 2170                                  |  |
| 3GPP band                             |     | B1   |  |
| RX gain                               | dB  | 12*  |  |
| Noise figure                          | dB  | 1.2*   |  |
| Input IP3                             | dBm | 15*  |  |
| RX return loss                        | dB  | > 20*  |  |
| TX return loss                        | dB  | > 20*  |  |
| Input power at RBS port (max.average) | dBm | 50   |  |
| TX insertion loss                     | dB  | 0.4*   |  |
| IM3 at Antenna port (2x43 dBm)        | dBm | < -115*                                      |  |
| <b>Radio performance B3</b>           |     |  |  |
| Receiving pass band:                  | MHz | 1710 - 1785                                  |  |
| Transmitting pass band:               |     | 1805 - 1880                                  |  |
| 3GPP band                             |     | B3   |  |
| RX gain                               | dB  | 12*  |  |
| Noise figure                          | dB  | 1.2*   |  |
| Input IP3                             | dBm | 15*  |  |
| RX return loss                        | dB  | > 20*  |  |
| TX return loss                        | dB  | > 20*  |  |
| Input power at RBS port (max.average) | dBm | 50   |  |
| TX insertion loss                     | dB  | 0.4*   |  |
| IM3 at Antenna port (2x43 dBm)        | dBm | < -115*                                      |  |
| <b>Radio performance 1400</b>         |     |  |  |
| Frequency range                       | MHz | 1427 - 1517                                  |  |
| Insertion loss                        | dB  | 0.16*  |  |
| Return loss                           | dB  | > 20*  |  |
| Input power at RBS port (max.average) | dBm | 50   |  |
| IM3 at Antenna port (2x43 dBm)        | dBm | < -115*                                      |  |
| <b>Electrical Specifications</b>      |     |  |  |
| Input voltage                         | VDC | 10 to 32                                     |  |
| Power consumption                     | W   | 9 (3.3* per active port)                     |  |
| Alarm protocol                        |     | AISG 2.0                                     |  |

| Mechanical Specifications           |         |  |
|-------------------------------------|---------|--|
| Dimensions (H x W x D)              | mm   in | 265 x 245 x 96   10.4 x 9.6 x 3.8                          |
| Weight                              | kg   lb | 8.3   18.2   |
| Color                               |         | White (NCS S 1002-B), textured                             |
| RF connectors                       |         | 4.3-10 (f)   |
| RET connector                       |         | IEC 60130-9  |
| Ground connector                    |         | M8 bolt  |
| Mounting                            |         | Rail, pole, or wall**                                      |
| Environmental Specifications        |         |  |
| Temperature range, full performance | °C      | -40 to + 55  |
| MTBF                                |         | > 80 years   |
| Sealing                             |         | IP67   |
| Lightning protection                |         | 5 kA 10/350 $\mu$ s (Common mode)                          |
| Product safety                      |         | International (CB): IEC 62368-1<br>Europe (CE): EN 62368-1 |

\* Typical values

\*\* Rail bracket ordered separately



Note:

- KRY 112 238/1 provides DC redundancy via RBS B



# TMA B3 B7

## Bypass 1400 (2-2)

78211912V02

- Double unit for easy use with XXPOL antennas
- Suitable for antenna RET control according to AISG/3GPP standard
- Supports AISG 2.0
- Bypass mode to ensure cell operation in case of DC power down
- Built-in lightning protection
- DC Supply via RBS A, RBS B or both



[ericsson.com/antenna-system](https://ericsson.com/antenna-system)



Scan or [click](#)

**AISG** = Antenna Interface Standards Group

**RET** = Remote Electrical Tilt

| Product No.<br>Product Name                   | Wide-Band Mode | 78211912V02<br>TMA B3 B7 Bypass 1400 (2-2) |
|---|----------------|--|
| <b>1800 Tx Characteristics</b>                |                |  |
| Frequency range                               | MHz            | 1805 – 1880                                |
| Insertion loss                                | dB             | Typically 0.5                              |
| Input power<br>(per input and frequency band) | kW             | < 0.1 (+50 dBm) / < 1.6 (+62 dBm) peak     |
| Intermodulation products in RX band           | dBm            | < -117 (2 Tx carriers at +43 dBm)          |
| Return loss                                   | dB             | > 18                                       |
| <b>1800 Rx Characteristics</b>                |                |  |
| Frequency range                               | MHz            | 1710 – 1785                                |
| Return loss                                   | dB             | > 18 (DC ON) / > 12 (DC OFF)               |
| Loss in bypass mode                           | dB             | Typically 2.0 (DC OFF)                     |
| Gain  | dB             | 12 nominal                                 |
| Noise figure                                  | dB             | Typically 1.5                              |
| Output 1-dB compression point                 | dBm            | > 10                                       |
| 3 <sup>rd</sup> order intercept point (OIP3)  | dBm            | Typically 25                               |
| <b>2600 MHz Tx Characteristics</b>            |                |  |
| Frequency range                               | MHz            | 2620 – 2690                                |
| Insertion loss                                | dB             | Typically 0.4                              |
| Input power<br>(per input and frequency band) | kW             | < 0.1 (+50 dBm) / < 1.6 (+62 dBm) peak     |
| Intermodulation products in RX band           | dBm            | < -117 (2 Tx carriers at +43 dBm)          |
| Return loss                                   | dB             | > 18                                       |
| <b>2600 MHz Rx Characteristics</b>            |                |  |
| Frequency range                               | MHz            | 2500 – 2570                                |
| Return loss                                   | db             | > 18 (DC ON) / > 12 (DC OFF)               |
| Loss in bypass mode                           | dB             | Typically 2.0 (DC OFF)                     |
| Gain  | dB             | 12 nominal                                 |
| Noise figure                                  | dB             | Typically 1.7                              |
| Output 1-dB compression point                 | dBm            | > 10                                       |
| 3 <sup>rd</sup> order intercept point (OIP3)  | dBm            | Typically 25                               |

**1427 – 1518 MHz Bypass Characteristics**

|                          |     |                                   |
|--------------------------|-----|-----------------------------------|
| Frequency range          | MHz | 1427 – 1518                       |
| Insertion loss           | dB  | Typically 0.2                     |
| Input power              | kW  | < 0.1 (+50 dBm)                   |
| Intermodulation products | dBm | < -117 (2 Tx carriers at +43 dBm) |
| Return loss              | dB  | > 18                              |

**Environmental Characteristics**

|                             |         |                            |
|-----------------------------|---------|----------------------------|
| Operating temperature range | °C   °F | -40 ... +65   -40 ... +149 |
| IP rating                   |         | IP67                       |
| MTBF                        | hours   | > 1 000 000 (per TMA)      |
| EMC                         |         | According to ETS 300 342-3 |

**DC and Alarm Characteristics**

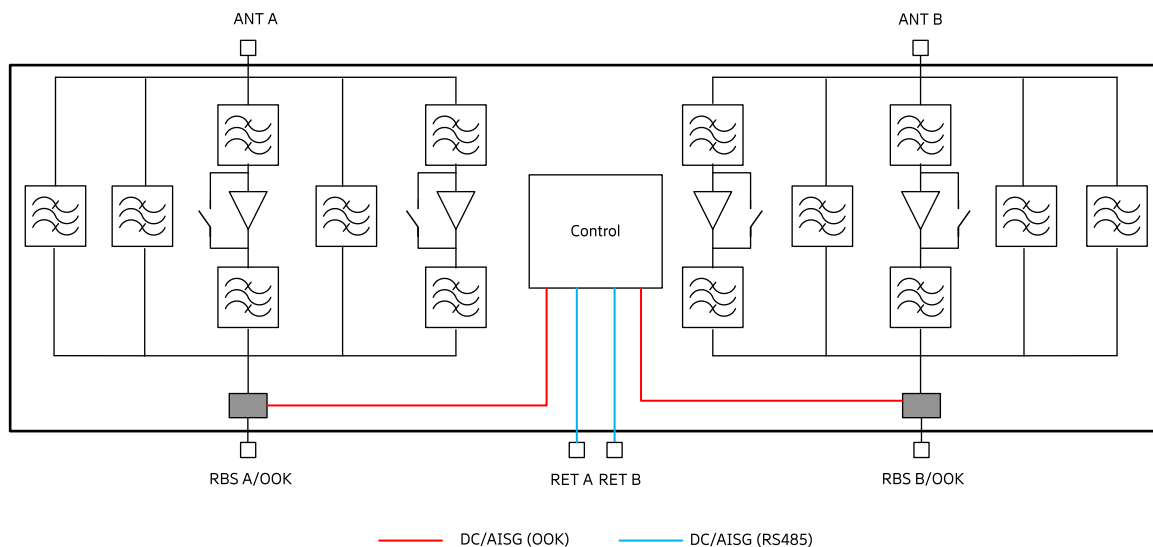
|  |          |                                      |
|--|----------|--------------------------------------|
| DC supply                                | V        | 10 – 30                              |
| Operating current per DTMA (without RET) | mA<br>mA | Nom. 300 at 10 V<br>Nom. 100 at 30 V |
| Alarm management                         |          | AISG                                 |

**Mechanical Characteristics**

|                        |            |  |
|------------------------|------------|--|
| Material               |            | Aluminium housing  |
| Connectors             | RF<br>AISG | 4.3-10 female, 8-pin female, IEC 60130-9, (Pin 3: RS485B, pin 5: RS485A, pin 6: 10 - 30 V DC, pin 7: DC return, other pins: Not connected) |
| Mounting               | mm   in    | Wall mounting: With 4 screws (max. 8   0.315 diameter)<br>Mast mounting  |
| Weight                 | kg   lb    | 8.8   19.4   |
| Dimensions (W x H x D) | mm   in    | 290 x 235 x 94   11.4 x 9.3 x 3.7  |

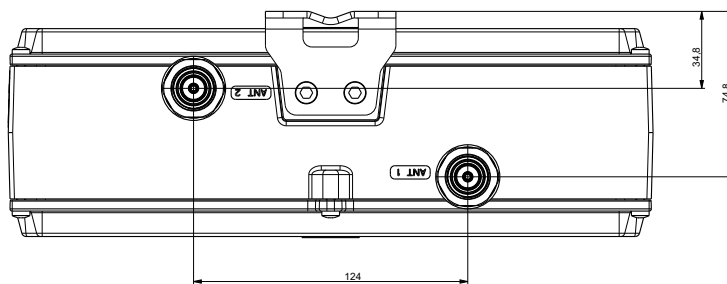
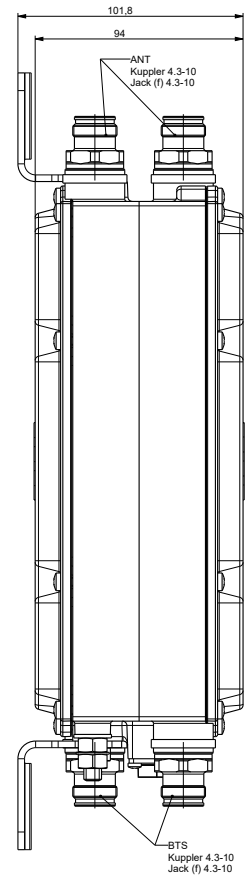
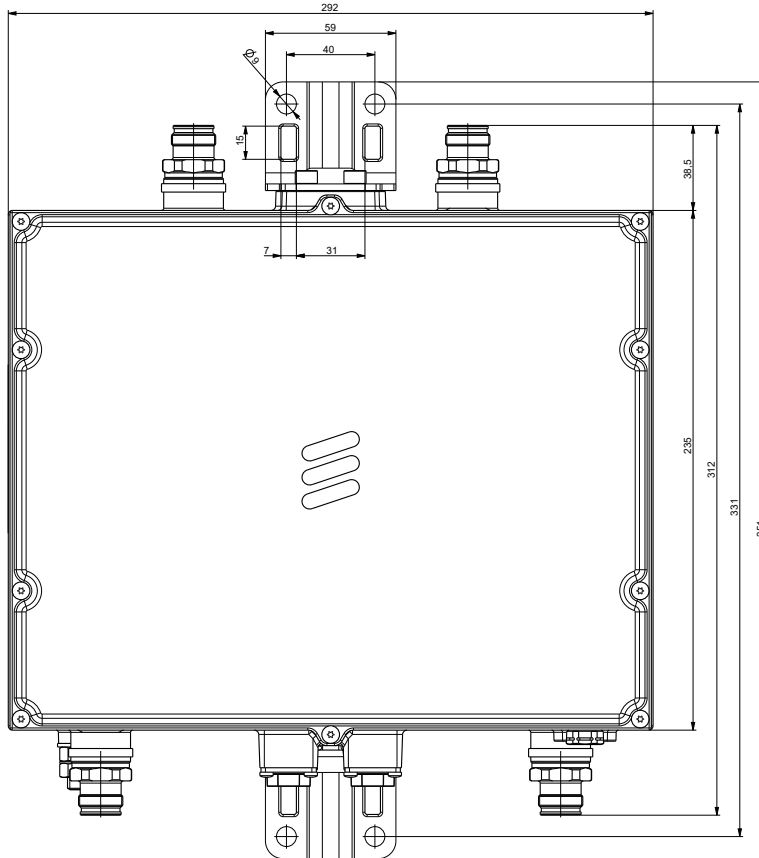
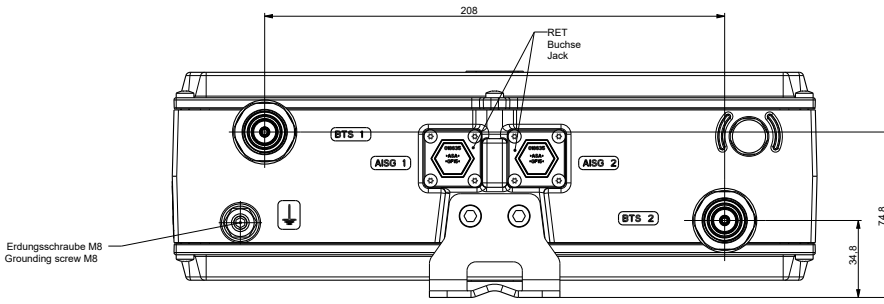
**Accessories (order separately)**

| Product No. |         | Clamp set suitable for mast diameter of |
|-------------|---------|---|
| 734360      | mm   in | 34–60   1.34–2.36                       |
| 734364      | mm   in | 120–140   4.72–5.51                     |
| 734365      | mm   in | 45–125   1.77–4.92                      |

**Note:**

DC and AISG can be provided via RBS A or RBS B  
RS485 signal on RET ports is identical

Dimensions in mm







# TMA B1 B7

## Bypass 1400 (2-2)

78211910V02

- Double unit for easy use with XXPOL antennas
- Suitable for antenna RET control according to AISG/3GPP standard
- Supports AISG 2.0
- Bypass mode to ensure cell operation in case of DC power down
- Built-in lightning protection
- DC Supply via RBS A, RBS B or both



[ericsson.com/antenna-system](https://ericsson.com/antenna-system)



Scan or [click](#)

**AISG** = Antenna Interface Standards Group  
**RET** = Remote Electrical Tilt

| Product No.<br>Product Name                   | Wide-Band Mode | 78211910V02<br>TMA B1 B7 Bypass 1400 (2-2) |
|---|----------------|--|
| <b>UMTS Tx Characteristics</b>                |                |  |
| Frequency range                               | MHz            | 2110 – 2170                                |
| Insertion loss                                | dB             | Typically 0.3                              |
| Input power<br>(per input and frequency band) | kW             | < 0.1 (+50 dBm) / < 1.6 (+62 dBm) peak     |
| Intermodulation products in RX band           | dBm            | < -117 (2 Tx carriers at +43 dBm)          |
| Return loss                                   | dB             | > 18                                       |
| <b>UMTS Rx Characteristics</b>                |                |  |
| Frequency range                               | MHz            | 1920 – 1980                                |
| Return loss                                   | dB             | > 18 (DC ON) / > 12 (DC OFF)               |
| Loss in bypass mode                           | dB             | Typically 1.8 (DC OFF)                     |
| Gain  | dB             | 12 nominal                                 |
| Noise figure                                  | dB             | Typically 1.5                              |
| Output 1-dB compression point                 | dBm            | > 10                                       |
| 3 <sup>rd</sup> order intercept point (OIP3)  | dBm            | Typically 25                               |
| <b>2600 MHz Tx Characteristics</b>            |                |  |
| Frequency range                               | MHz            | 2620 – 2690                                |
| Insertion loss                                | dB             | Typically 0.4                              |
| Input power<br>(per input and frequency band) | kW             | < 0.1 (+50 dBm) / < 1.6 (+62 dBm) peak     |
| Intermodulation products in RX band           | dBm            | < -117 (2 Tx carriers at +43 dBm)          |
| Return loss                                   | dB             | > 18                                       |
| <b>2600 MHz Rx Characteristics</b>            |                |  |
| Frequency range                               | MHz            | 2500 – 2570                                |
| Return loss                                   | db             | > 18 (DC ON) / > 12 (DC OFF)               |
| Loss in bypass mode                           | dB             | Typically 2.0 (DC OFF)                     |
| Gain  | dB             | 12 nominal                                 |
| Noise figure                                  | dB             | Typically 1.7                              |
| Output 1-dB compression point                 | dBm            | > 10                                       |
| 3 <sup>rd</sup> order intercept point (OIP3)  | dBm            | Typically 25                               |

**1427 – 1518 MHz Bypass Characteristics**

|                          |     |                                   |
|--------------------------|-----|-----------------------------------|
| Frequency range          | MHz | 1427 – 1518                       |
| Insertion loss           | dB  | Typically 0.2                     |
| Input power              | kW  | < 0.1 (+50 dBm)                   |
| Intermodulation products | dBm | < -117 (2 Tx carriers at +43 dBm) |
| Return loss              | dB  | > 18                              |

**Environmental Characteristics**

|                             |         |                            |
|-----------------------------|---------|----------------------------|
| Operating temperature range | °C   °F | -40 ... +65   -40 ... +149 |
| IP rating                   |         | IP67                       |
| MTBF                        | hours   | > 1 000 000 (per TMA)      |
| EMC                         |         | According to ETS 300 342-3 |

**DC and Alarm Characteristics**

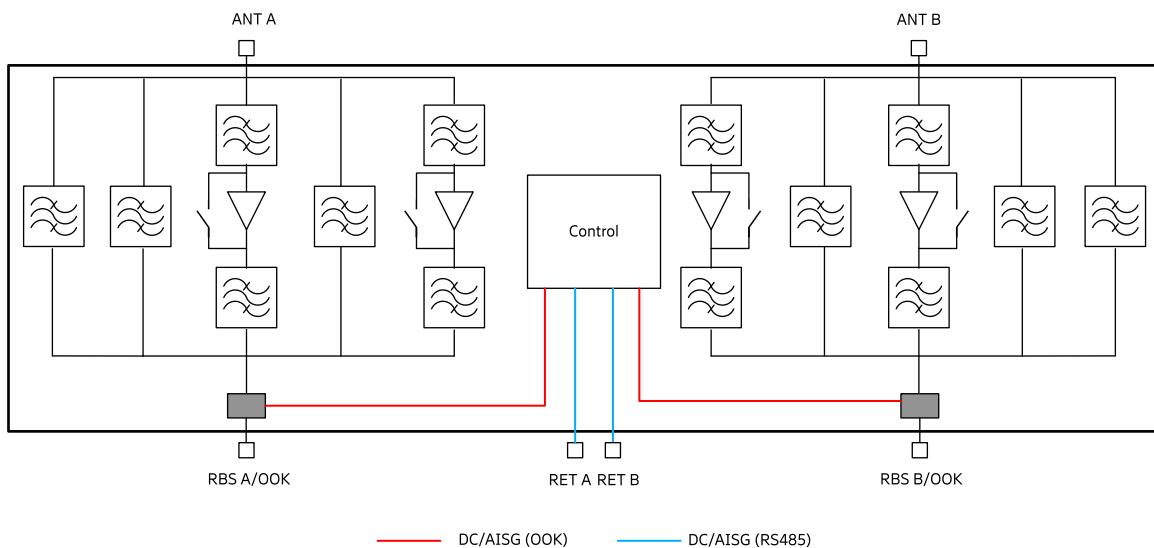
|  |          |                                      |
|--|----------|--------------------------------------|
| DC supply                                | V        | 10 – 30                              |
| Operating current per DTMA (without RET) | mA<br>mA | Nom. 300 at 10 V<br>Nom. 100 at 30 V |
| Alarm management                         |          | AISG                                 |

**Mechanical Characteristics**

|                        |           |  |
|------------------------|-----------|--|
| Material               |           | Aluminium housing  |
| Connectors             | RF<br>RET | 4.3-10 female<br>8-pin female, IEC 60130-9, (Pin 3: RS485B, pin 5: RS485A, pin 6: 10 - 30 V DC, pin 7: DC return, other pins: Not connected) |
| Mounting               | mm   in   | Wall mounting: With 4 screws (max. 8   0.315 diameter)<br>Mast mounting  |
| Weight                 | kg   lb   | 8.8   19.4   |
| Dimensions (W x H x D) | mm   in   | 290 x 235 x 94   11.4 x 9.3 x 3.7  |

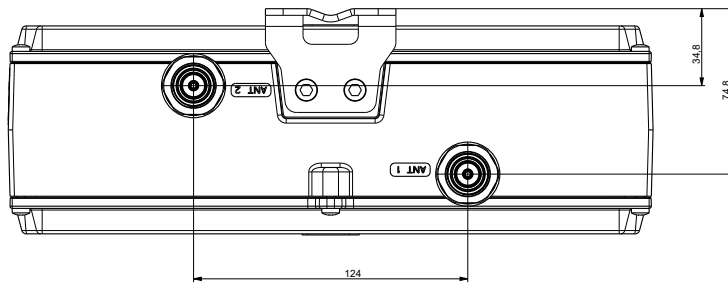
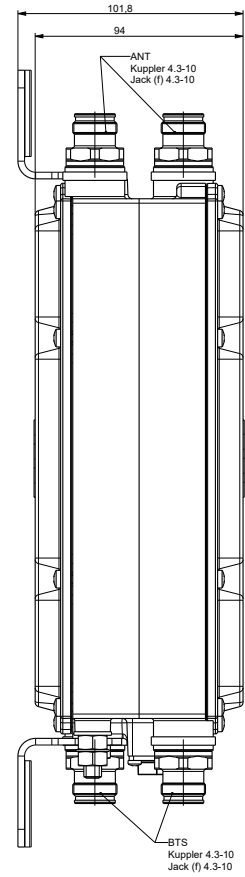
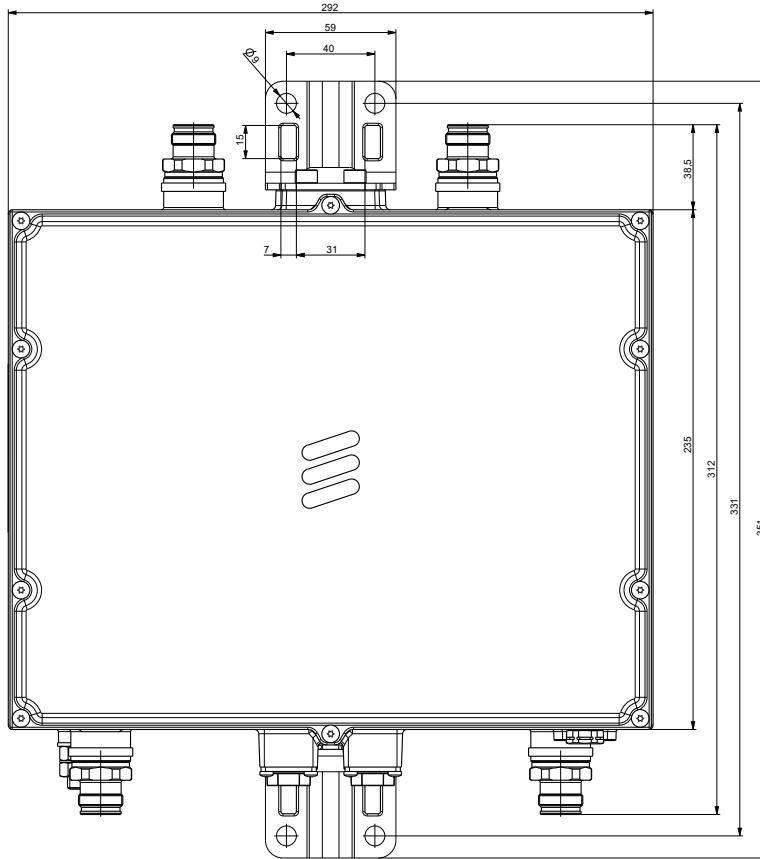
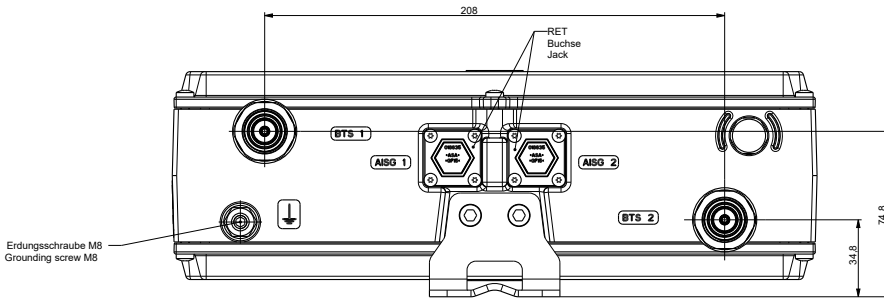
**Accessories (order separately)**

| Product No. |         | Clamp set suitable for mast diameter of |
|-------------|---------|---|
| 734360      | mm   in | 34–60   1.34–2.36                       |
| 734364      | mm   in | 120–140   4.72–5.51                     |
| 734365      | mm   in | 45–125   1.77–4.92                      |

**Note:**

DC and AISG can be provided via RBS A or RBS B  
RS485 signal on RET ports is identical

Dimensions in mm





# TMA B8 B20 B28B (2-2)

KRY 112 236/1

- Excellent RF performance
- Ericsson Radio System designed TMA, Rail mounting is possible
- Verified as an RBS integrated system solution
- Two RBS ports for feeder sharing, two ports for antenna sharing
- RET interface
- Supports AISG 2.0
- Automatic LNA by-pass
- Wall mounting bracket and pole clamps are included
- Possible to operate from one feeder



[ericsson.com/antenna-system](https://ericsson.com/antenna-system)

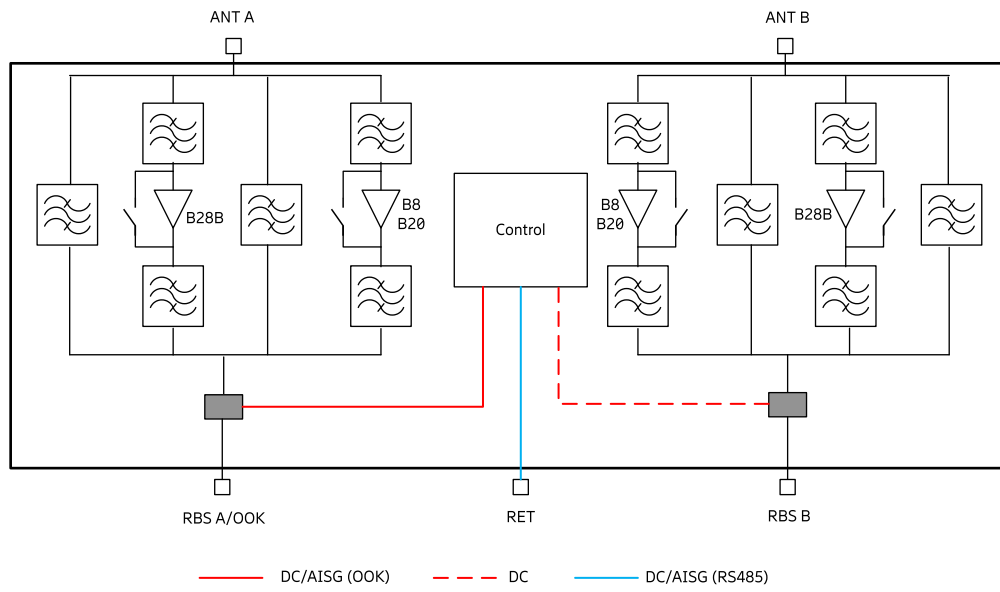


Scan or [click](#)

| Product No.<br>Product Name               |         | KRY 112 236/1<br>TMA B8 B20 B28B (2-2)                  |           |           |
|---|---------|---|-----------|-----------|
| Radio performance                         |         | B8  | B20       | B28B      |
| Receiving pass band:                      | MHz     | 880 - 915   | 832 - 862 | 703 - 733 |
| Transmitting pass band:                   |         | 925 - 960   | 791 - 821 | 758 - 788 |
| 3GPP band                                 |         | B8  | B20       | B28B      |
| RX gain                                   | dB      | 12*   | 12*       | 12*       |
| Noise figure                              | dB      | 1.8*  | 1.8*      | 1.8*      |
| Input IP3                                 | dBm     | > 12  | > 12      | > 12      |
| RX return loss                            | dB      | > 18  | > 18      | > 18      |
| TX return loss                            | dB      | > 18  | > 18      | > 18      |
| Input power at RBS port<br>(max. average) | dBm     | 50  | 50        | 50        |
| TX insertion loss                         | dB      | 0.5*  | 0.5*      | 0.5*      |
| IM3 at Antenna port (2 x 43 dBm)          | dBm     | < -115*   | < -115*   | < -115*   |
| <b>Electrical Specifications</b>          |         |   |           |           |
| Input voltage                             | VDC     | 10 to 32  |           |           |
| Power consumption                         | W       | < 9   |           |           |
| Alarm protocol                            |         | AISG 2.0  |           |           |
| <b>Mechanical Specifications</b>          |         |   |           |           |
| Dimensions (H x W x D)                    | mm   in | 290 x 300 x 130   11.4 x 11.8 x 5.1                     |           |           |
| Weight                                    | kg   lb | 14   30.9   |           |           |
| Color                                     |         | White (NCS S 1002-B), textured                          |           |           |
| RF connectors                             |         | 4.3-10 (f) long shank                                   |           |           |
| RET connector                             |         | IEC 60130-9   |           |           |
| Ground connector                          |         | M8 bolt   |           |           |
| Mounting                                  |         | Rail, pole, or wall mounting**                          |           |           |
| <b>Environmental Specifications</b>       |         |   |           |           |
| Temperature range, full performance       | °C      | -40 to +55  |           |           |
| MTBF                                      |         | > 80 years  |           |           |
| Sealing                                   |         | IP67  |           |           |
| Lightning protection                      |         | 5 kA 10/350 μs (Common mode)                            |           |           |
| Product safety                            |         | International (CB): IEC 62368-1 Europe (CE): EN 62368-1 |           |           |

\* Typical values

\*\* Rail bracket ordered separately



Note:  
- KRY 112 236/1 provides DC redundancy via RBS B



# TMA B1 B3 B7 Bypass 1400 (2-2)

78210587V02

- Double unit for easy use with XXPOL antennas
- Suitable for antenna RET control according to AISG/3GPP standard
- Supports AISG 2.0
- Bypass mode to ensure cell operation in case of DC power down
- Built-in lightning protection
- DC Supply via RBS A, RBS B or both



[ericsson.com/antenna-system](https://ericsson.com/antenna-system)



Scan or [click](#)



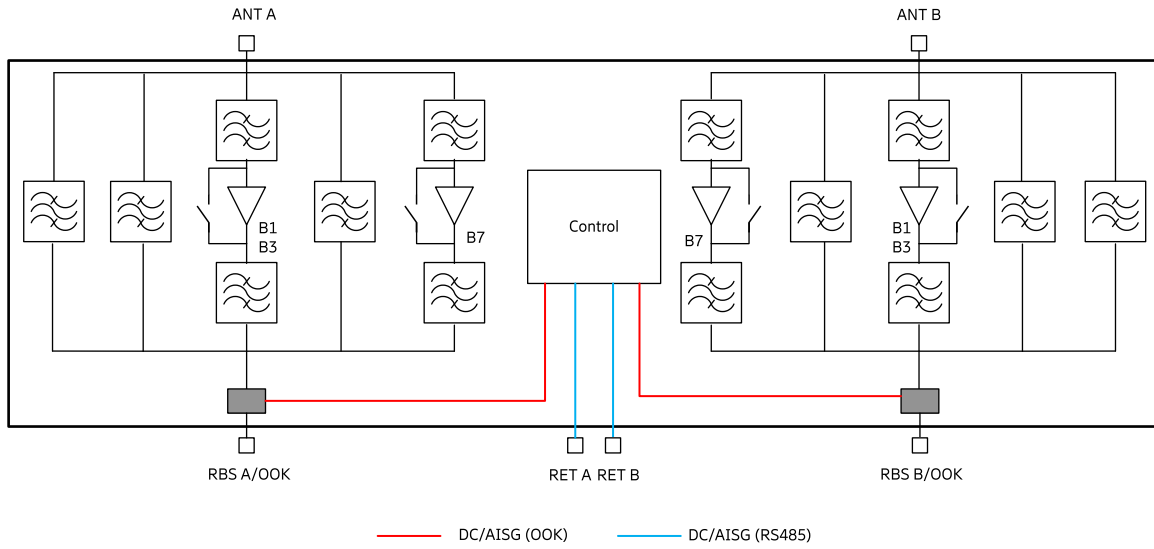
|             |   |                                   |
|-------------|---|-----------------------------------|
| <b>AISG</b> | = | Antenna Interface Standards Group |
| <b>RET</b>  | = | Remote Electrical Tilt            |
| <b>BYP</b>  | = | RF-BYPass                         |

| Product No.<br>Product Name                  | Wide-Band Mode | 78210587V02<br>TMA B1 B3 B7 Bypass 1400 (2-2) |
|--|----------------|---|
| <b>1800 MHz Tx Characteristics</b>           |                |   |
| Frequency range                              | MHz            | 1805 – 1880                                   |
| Insertion loss                               | dB             | Typically 0.4                                 |
| Input power (per input and frequency band)   | kW             | < 0.1 (+50 dBm)   < 1.6 (+62 dBm) peak        |
| Intermodulation products in Rx band          | dBm            | < -117 (2 Tx carriers at +43 dBm)             |
| Return loss                                  | dB             | > 18  |
| <b>1800 MHz Rx Characteristics</b>           |                |   |
| Frequency range                              | MHz            | 1710 – 1785                                   |
| Loss in bypass mode                          | dB             | Typically 2.0                                 |
| Return loss                                  | dB             | > 18 (DC ON)   > 12 (DC OFF)                  |
| Gain   | dB             | 12 nominal                                    |
| Noise figure                                 | dB             | Typically 1.5                                 |
| Output 1-dB compression point                | dBm            | > 10  |
| 3 <sup>rd</sup> order intercept point (OIP3) | dBm            | Typically 25                                  |
| <b>2100 MHz Tx Characteristics</b>           |                |   |
| Frequency range                              | MHz            | 2110 – 2170                                   |
| Insertion loss                               | dB             | Typically 0.3                                 |
| Input power (per input and frequency band)   | kW             | < 0.1 (+50 dBm)   < 1.6 (+62 dBm) peak        |
| Intermodulation products in Rx band          | dBm            | < -117 (2 Tx carriers at +43 dBm)             |
| Return loss                                  | dB             | > 18  |
| <b>2100 MHz Rx Characteristics</b>           |                |   |
| Frequency range                              | MHz            | 1920 – 1980                                   |
| Loss in bypass mode                          | dB             | Typically 2.0                                 |
| Return loss                                  | dB             | > 18 (DC ON)   > 12 (DC OFF)                  |
| Gain   | dB             | 12 nominal                                    |
| Noise figure                                 |                | Typically 1.5                                 |
| Output 1-dB compression point                | dBm            | > 10  |
| 3 <sup>rd</sup> order intercept point (OIP3) | dBm            | Typically 25                                  |

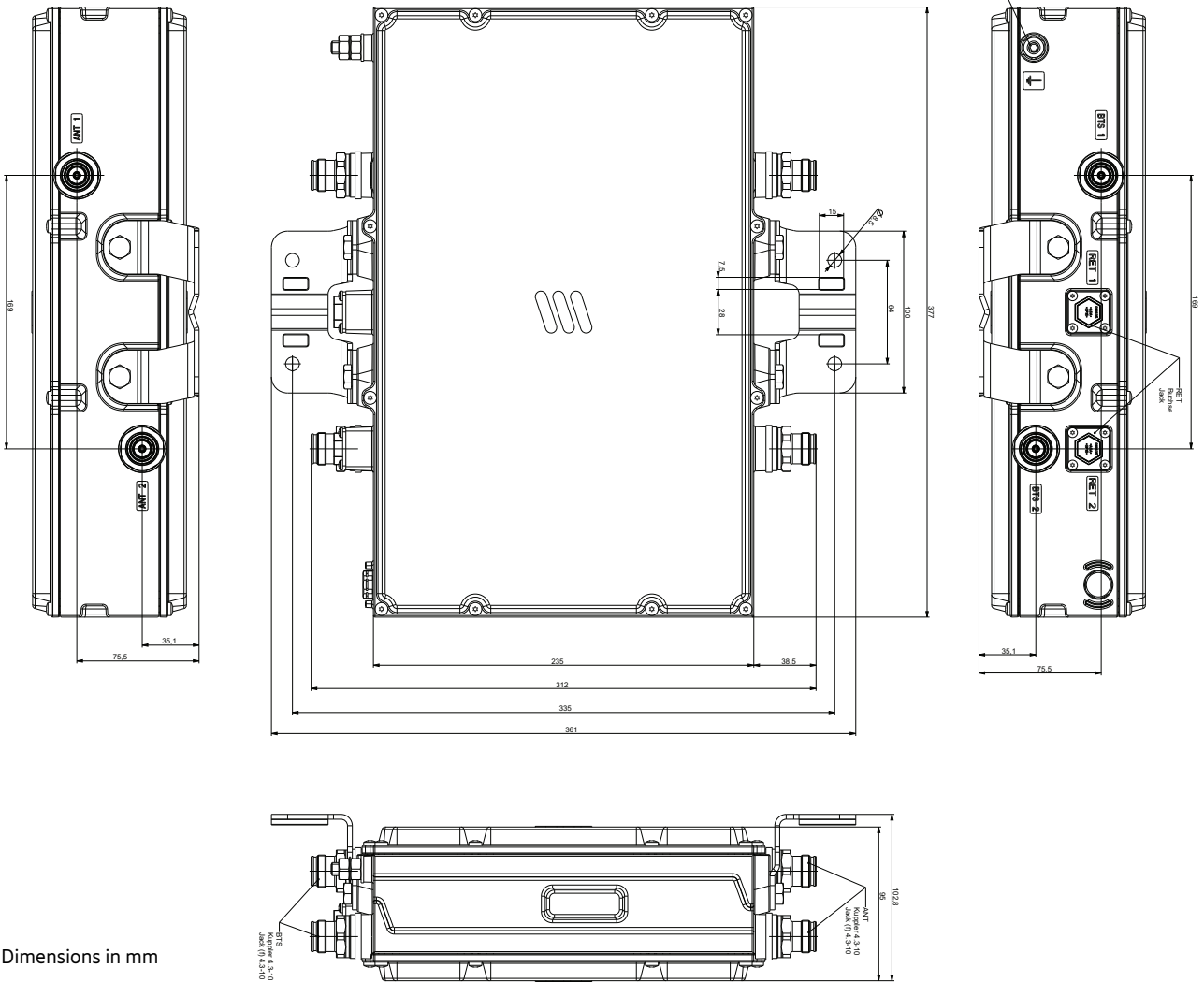
| <b>2600 MHz Tx Characteristics</b>            |               |  |
|---|---------------|--|
| Frequency range                               | MHz           | 2620 – 2690  |
| Insertion loss                                | dB            | Typically 0.4  |
| Input power<br>(per input and frequency band) | kW            | < 0.1 (+50 dBm)   < 1.6 (+62 dBm) peak   |
| Intermodulation products in Rx band           | dBm           | < -117 (2 Tx carriers at +43 dBm)  |
| Return loss                                   | dB            | > 18   |
| <b>2600 MHz Rx Characteristics</b>            |               |  |
| Frequency range                               | MHz           | 2500 – 2570  |
| Loss in bypass mode                           | dB            | Typically 1.8  |
| Return loss                                   | dB            | > 18 (DC ON)   > 12 (DC OFF)   |
| Gain  | dB            | 12 nominal   |
| Noise figure                                  |               | Typically 1.7  |
| Output 1-dB compression point                 | dBm           | > 10   |
| 3 <sup>rd</sup> order intercept point (OIP3)  | dBm           | Typically 25   |
| <b>1427 – 1518 MHz Bypass Characteristics</b> |               |  |
| Frequency range                               | MHz           | 1427 – 1518  |
| Insertion loss                                | dB            | Typically 0.2  |
| Input power                                   | kW            | < 0.1 (+50 dBm)   < 1.6 (+62 dBm) peak   |
| Intermodulation products in Rx band           | dBm           | < -117 (2 Tx carriers at +43 dBm)  |
| Return loss                                   | dB            | > 18   |
| <b>Environmental Characteristics</b>          |               |  |
| Operating temperature range                   | °C   °F       | -40 ... +65   -40 ... +149   |
| IP rating                                     |               | IP67   |
| MTBF  | hours         | > 1 000 000 (per TMA)  |
| EMC   |               | According to ETS 300 342-3   |
| <b>DC and Alarm Characteristics</b>           |               |  |
|   |               | <b>AISG Mode</b>   |
| DC supply                                     | V             | 10 - 30  |
| Operating current (without RET)               | mA            | Nom. 400 at 10 V<br>Nom. 150 at 30 V   |
| Alarm management                              |               | AISG   |
| <b>Mechanical Characteristics</b>             |               |  |
| Material                                      |               | Aluminium housing  |
| Connectors                                    | RF<br>RET     | 4.3-10 female<br>8-pin female, IEC 60130-9 (Pin 3: RS485B, pin 5: RS485A,<br>pin 6: 10 – 30 V DC, pin 7: DC return, other pins: Not connected) |
| Mounting                                      | mm<br> <br>in | Wall mounting: With 4 screws (diameter: max. 8   0.31)<br>Mast mounting: With additional clamp set   |
| Weight  | kg   lb       | 10   22.05   |
| Dimensions (w x h x d)                        | mm<br> <br>in | 377 x 235 x 95   14.8 x 9.3 x 3.7<br>(without connectors, without mounting brackets)   |

### Accessories (order separately)

| Product No. |         | Clamp set suitable for<br>mast diameter of |
|-------------|---------|--|
| 731651      | mm   in | 28 – 60   1.10 – 2.36                      |
| 738546      | mm   in | 42 – 115   1.65 – 4.53                     |
| 85010002    | mm   in | 110 – 220   4.33 – 8.66                    |
| 85010003    | mm   in | 210 – 380   8.27 – 14.96                   |



Note:  
DC and AISG can be provided via RBS A or RBS B  
RS485 signal on RET ports is identical



Dimensions in mm



# TMA B1 B3 B7 Bypass 1400 (2-6)

78210588V02

- Double unit for easy use with XXPol antennas
- Suitable for antenna RET control according to AISG/3GPP standard
- Supports AISG 2.0
- Bypass mode to ensure cell operation in case of DC power down
- Built-in lightning protection
- DC Supply via RBS A, RBS B or both



[ericsson.com/antenna-system](https://ericsson.com/antenna-system)

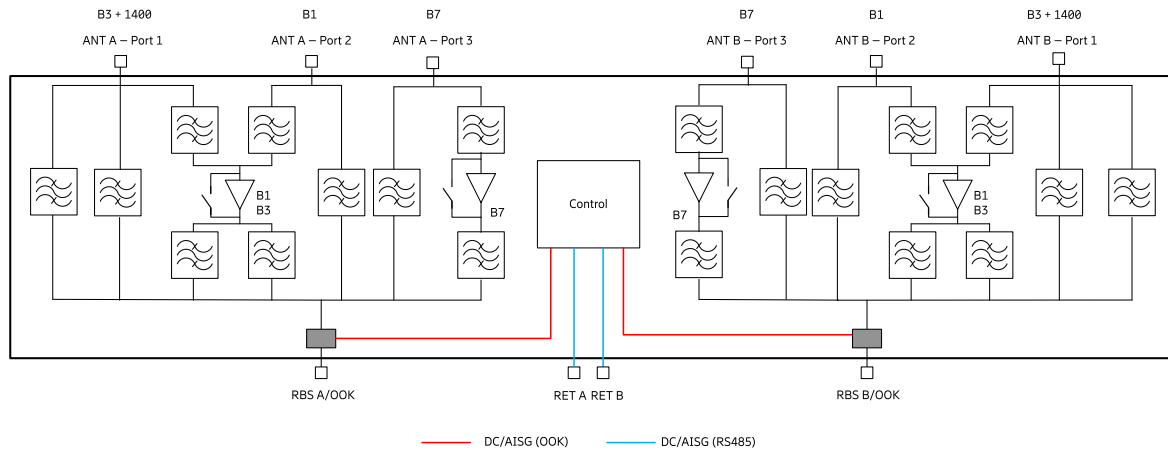


Scan or [click](#)

|             |   |                                   |
|-------------|---|-----------------------------------|
| <b>AISG</b> | = | Antenna Interface Standards Group |
| <b>RET</b>  | = | Remote Electrical Tilt            |
| <b>BYP</b>  | = | RF-BYPass                         |

| Product No.<br>Product Name                   | Wide-Band Mode | 78210588V02<br>TMA B1 B3 B7 Bypass 1400 (2-6) |
|---|----------------|---|
| <b>1800 MHz Tx Characteristics</b>            |                |   |
| Frequency range                               | MHz            | 1805 – 1880                                   |
| Insertion loss                                | dB             | Typically 0.6                                 |
| Input power<br>(per input and frequency band) | kW             | < 0.1 (+50 dBm)   < 1.6 (+62 dBm) peak        |
| Intermodulation products in Rx band           | dBm            | < -117 (2 Tx carriers at +43 dBm)             |
| Return loss                                   | dB             | > 18  |
| <b>1800 MHz Rx Characteristics</b>            |                |   |
| Frequency range                               | MHz            | 1710 – 1785                                   |
| Loss in bypass mode                           | dB             | Typically 2.3                                 |
| Return loss                                   | dB             | > 18 (DC ON)   > 12 (DC OFF)                  |
| Gain  | dB             | 12 nominal                                    |
| Noise figure                                  | dB             | Typically 1.7                                 |
| Output 1-dB compression point                 | dBm            | > 10  |
| 3 <sup>rd</sup> order intercept point (OIP3)  | dBm            | Typically 25                                  |
| <b>2100 MHz Tx Characteristics</b>            |                |   |
| Frequency range                               | MHz            | 2110 - 2170                                   |
| Insertion loss                                | dB             | Typically 0.5                                 |
| Input power<br>(per input and frequency band) | kW             | < 0.1 (+50 dBm)   < 1.6 (+62 dBm) peak        |
| Intermodulation products in Rx band           | dBm            | < -117 (2 Tx carriers at +43 dBm)             |
| Return loss                                   | dB             | > 18  |
| <b>2100 MHz Rx Characteristics</b>            |                |   |
| Frequency range                               | MHz            | 1920 – 1980                                   |
| Loss in bypass mode                           | dB             | Typically 2.0                                 |
| Return loss                                   | dB             | > 18 (DC ON)   > 12 (DC OFF)                  |
| Gain  | dB             | 12 nominal                                    |
| Noise figure                                  |                | Typically 1.7                                 |
| Output 1-dB compression point                 | dBm            | > 10  |
| 3 <sup>rd</sup> order intercept point (OIP3)  | dBm            | Typically 25                                  |

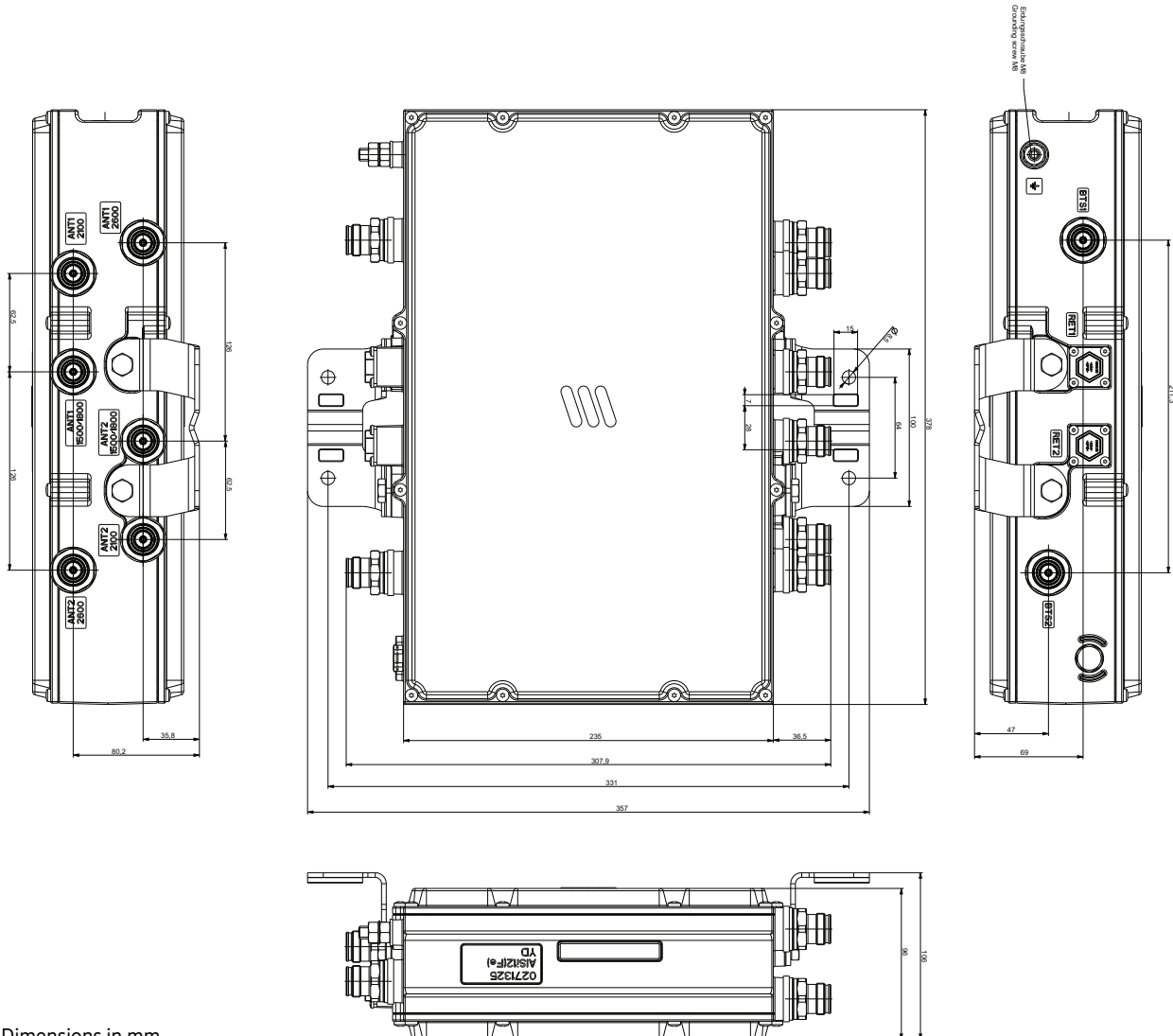
| <b>2600 MHz Tx Characteristics</b>            |           |   |
|---|-----------|---|
| Frequency range                               | MHz       | 2620 – 2690   |
| Insertion loss                                | dB        | Typically 0.6   |
| Input power<br>(per input and frequency band) | kW        | < 0.1 (+50 dBm)   < 1.6 (+62 dBm) peak  |
| Intermodulation products in Rx band           | dBm       | < -117 (2 Tx carriers at +43 dBm)   |
| Return loss                                   | dB        | > 18  |
| <b>2600 MHz Rx Characteristics</b>            |           |   |
| Frequency range                               | MHz       | 2500 – 2570   |
| Loss in bypass mode                           | dB        | Typically 1.8   |
| Return loss                                   | dB        | > 18 (DC ON)   > 12 (DC OFF)  |
| Gain  | dB        | 12 nominal  |
| Noise figure                                  |           | Typically 1.7   |
| Output 1-dB compression point                 | dBm       | > 10  |
| 3 <sup>rd</sup> order intercept point (OIP3)  | dBm       | Typically 25  |
| <b>1427 – 1518 MHz Bypass Characteristics</b> |           |   |
| Frequency range                               | MHz       | 1427 – 1518   |
| Insertion loss                                | dB        | Typically 0.25  |
| Input power                                   | kW        | < 0.1 (+50 dBm)   < 1.6 (+62 dBm) peak  |
| Intermodulation products in Rx band           | dBm       | < -117 (2 Tx carriers at +43 dBm)   |
| Return loss                                   | dB        | > 18  |
| <b>Environmental Characteristics</b>          |           |   |
| Operating temperature range                   | °C   F    | -40 ... +65   -40 ... +149  |
| IP rating                                     |           | IP67  |
| MTBF  | hours     | > 1 000 000 (per TMA)   |
| EMC   |           | According to ETS 300 342-3  |
| <b>DC and Alarm Characteristics</b>           |           |   |
|   |           | <b>AISG Mode</b>  |
| DC supply                                     | V         | 10 – 30   |
| Operating current (without RET)               | mA        | Nom. 400 at 10 V<br>Nom. 150 at 30 V  |
| Alarm management                              |           | AISG  |
| <b>Mechanical Characteristics</b>             |           |   |
| Material                                      |           | Aluminium housing   |
| Connectors                                    | RF<br>RET | 4.3-10 female<br>8-pin female, IEC 60130-9<br>(Pin 3: RS485B, pin 5: RS485A, pin 6: 10 – 30 V DC,<br>pin 7: DC return, other pins: Not connected) |
| Mounting                                      | mm   in   | Wall mounting: With 4 screws (diameter: max. 8   0.31)<br>Mast mounting: With additional clamp set  |
| Weight  | kg   lb   | 12   26.5   |
| Dimensions (w x h x d)                        | mm   in   | 377 x 235 x 96   14.8 x 9.3 x 3.8<br>(without connectors, without mounting brackets)  |
| Packing Size                                  | mm   in   | 420 x 420 x 175   16.5 x 16.5 x 6.9   |



Note:  
DC and AISG can be provided via RBS A or RBS B  
RS485 signal on RET ports is identical

### Accessories (order separately)

| Product No. | Clamp set suitable for mast diameter of |                          |
|-------------|---|--------------------------|
| 731651      | mm   in                                 | 28 – 60   1.10 – 2.36    |
| 738546      | mm   in                                 | 42 – 115   1.65 – 4.53   |
| 8501002     | mm   in                                 | 110 – 220   4.33 – 8.66  |
| 8501003     | mm   in                                 | 210 – 380   8.27 – 14.96 |



Dimensions in mm

## Spectrum Limitation Filter

| Product Name<br>Product No.                                    | Frequency<br>(MHz)  | Connector type<br>(female) | Page                |
|--|---|----------------------------|---------------------|
| SLF B20, DTV Reject (2-2)<br>KRF 102 436/1                     | Passband 791–960<br>Rejection 694–790                                     | 4.3-10                     | <a href="#">733</a> |
| SLF 703–905 / 930–960 MHz, GSM-R Reject (2-2)<br>KRF 102 433/1 | 703–905 / 930–960<br>Rejection GSM-R                                      | 4.3-10                     | <a href="#">735</a> |
| SLF 703–915 / 930–960 MHz, GSM-R Reject (2-2)<br>KRF 102 433/4 | 703–915 / 930–960<br>Rejection GSM-R                                      | 4.3-10                     | <a href="#">737</a> |
| SLF B28/B8, B5 Reject (4-4)<br>KRF 102 442/12                  | Passband 703–803/884–960<br>Rejection 869–880                             | 4.3-10                     | <a href="#">739</a> |
| SLF B28/B8, B5 Reject (4-4)<br>KRF 102 442/13                  | Passband 703–803/888–960<br>Rejection 869–884                             | 4.3-10                     | <a href="#">739</a> |
| SLF B8 Stop B5<br>KRF 102 352/1                                | Passband 890–960<br>Rejection start 886.8                                 | 7-16                       | <a href="#">741</a> |
| SLF B8 Stop B5<br>KRF 102 352/2                                | Passband 883–960<br>Rejection start 879.8                                 | 7-16                       | <a href="#">741</a> |
| SLF B8 Stop B5<br>KRF 102 352/3                                | Passband 897.2–960<br>Rejection start 894                                 | 7-16                       | <a href="#">741</a> |
| SLF B8 Stop B5<br>KRF 102 352/4                                | Passband 900–960<br>Rejection start 894 (Customized)                      | 7-16                       | <a href="#">741</a> |
| SLF B0A<br>KRF 102 395/1                                       | Passband 890.1–960<br>Rejection 869–888.4                                 | 7-16                       | <a href="#">743</a> |
| <b>SLF B8C (2-2)</b><br>KRF 102 456/1                          | Passband 897.65–900.35/936.65–939.35<br>Rejection 933.5–936.4/939.6–942.5 | 4.3-10                     | <a href="#">745</a> |
| SLF B32H-OFCOM (2-2)<br>KRF 102 452/3                          | Passband 1452–1472<br>Rejection 1495–1518                                 | 4.3-10                     | <a href="#">747</a> |
| SLF B32H-OFCOM (4-4)<br>KRF 102 452/4                          | Passband 1452–1472<br>Rejection 1495–1518                                 | 4.3-10                     | <a href="#">747</a> |
| SLF B32E-OFCOM (4-4)<br>KRF 102 452/2                          | Passband 1472–1492<br>Rejection 1498.5–1518                               | 4.3-10                     | <a href="#">749</a> |
| SLF B38 with B7 suppression (4-4)<br>78211847                  | Passband 2575–2615  | 4.3-10                     | <a href="#">751</a> |
| SLF B38A (2-2) Co-located with B7<br>KRF 102 415/1             | Passband 2575–2615<br>Rejection 2500–2570/2620–2690                       | 4.3-10                     | <a href="#">754</a> |
| SLF B38A (4-4) Co-located with B7<br>KRF 102 415/2             | Passband 2575–2615<br>Rejection 2500–2570/2620–2690                       | 4.3-10                     | <a href="#">754</a> |
| <b>SLF B78C (4-4)</b><br>KRF 102 446/2                         | Passband 3300–3700<br>Rejection 3710–4200                                 | 4.3-10                     | <a href="#">756</a> |
| SLF B77E (8-8) remotely reconfigurable<br>KRF 102 444/2        | Passband 3700–3800<br>Rejection 3810–4200                                 | 4.3-10                     | <a href="#">758</a> |
| SLF B77E OOK (8-8) remotely reconfigurable<br>KRF 102 444/4    | Passband 3700–3800<br>Rejection 3810–4200                                 | 4.3-10                     | <a href="#">760</a> |

New product





Single Unit

# SLF B20 / Stop DTV

## Spectrum Limitation Filter

|               | passband    | rejection         |
|---------------|-------------|-------------------|
| KRF 102 436/1 | 791–960 MHz | 694–790 MHz (DTV) |

- Designed for co-location existence with the Digital TV broadcasting system
- Optimized for use with Ericsson Radios to fulfill the 3GPP requirements
- Minimal insertion loss
- High rejection ensures system integrity between the co-sited systems
- High reliability and continuous operation in both indoor and outdoor environments
- An integrated DC by-pass function allows DC voltage and control signals to Antenna Line Devices such as RET or TMAs
- Wall mounting brackets and pole clamps are included



|                                     |  |                        |
|-------------------------------------|--|------------------------|
| <b>Product No.</b>                  | <b>KRF 102 436/1</b>                                       |                        |
| <b>Product Name</b>                 | <b>SLF B20, DTV REJECT (2-2)</b>                           |                        |
| <b>Electrical Specifications</b>    |  |                        |
| Insertion loss                      |  |                        |
| - 791–791.25 MHz:                   |  | 1.4*                   |
| - 791.25–801 MHz:                   | dB   | 0.5*                   |
| - 801–960 MHz:                      |  | 0.1*                   |
| Out of band rejection               |  |                        |
| - 694–750 MHz:                      |  | > 40*                  |
| - 750–782 MHz:                      | dB   | > 23*                  |
| - 782–790 MHz:                      |  | > 19, RMS over 8 MHz   |
| Return loss                         | dB   | 21*                    |
| Isolation                           | dB   | > 50                   |
| Power handling                      | W  | 120 (max. 80 per band) |
| Intermodulation (IM3)               | dBm  | < -114 (at 2x43 dBm)   |
| <b>Mechanical Specifications</b>    |  |                        |
| Dimensions (H x W x D)              | mm   | 217 x 210 x 70         |
| Weight                              | kg   | 5                      |
| Mounting options                    | Rail, pole or wall (Rail bracket ordered separately)       |                        |
| RF connectors                       | 4.3-10 (f)   |                        |
| <b>Environmental Specifications</b> |  |                        |
| Operating temperature               | °C   | -40 to +55             |
| IP class                            | Outdoor, IP67  |                        |
| Lightning protection                | 5 kA 10/350 µs   |                        |
| Product safety                      | International (CB): IEC 62368-1<br>Europe (CE): EN 62368-1 |                        |

\* Typical values



Single Unit

# SLF 703–905/930–960 MHz

## Spectrum Limitation Filter

KRF 102 433/1      703–905/930–960 MHz / GSM-R reject (2-2)

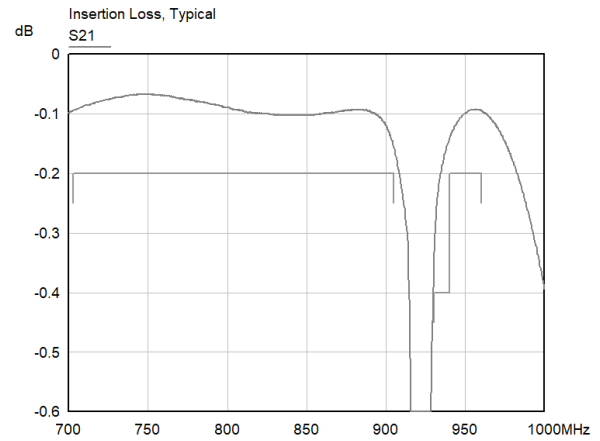
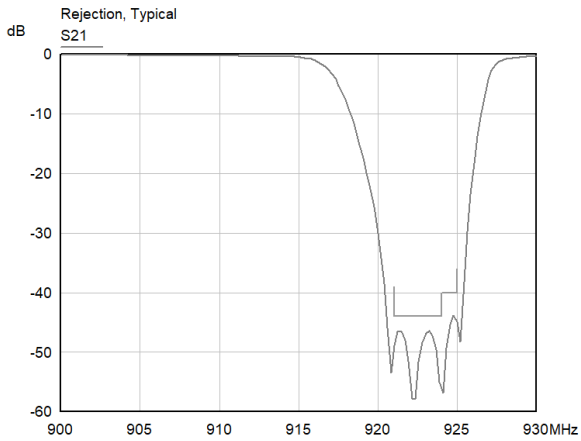
- Designed for co-location existence with the GSM-Railway system
- Optimized for use with Ericsson Radios to fulfill the 3GPP requirements
- Minimal insertion loss
- High rejection ensures system integrity between the co-sited systems
- High reliability and continuous operation in both indoor and outdoor environments
- An integrated DC by-pass function allows DC voltage and control signals to Antenna Line Devices such as RET or TMAs
- Wall mounting brackets and pole clamps are included



[ericsson.com/antenna-system](https://ericsson.com/antenna-system)



Scan or [click](#)



|  |  |                              |
|--|--|------------------------------|
| <b>Product No.</b>                                   | <b>KRF 102 433/1</b>                                       |                              |
| <b>Product Name</b>                                  | <b>SLF 703–905 / 930–960 MHz, GSM-R Reject (2-2)</b>       |                              |
| <b>Electrical Specifications – Guaranteed Values</b> |  |                              |
| Insertion loss                                       |  |                              |
| - 703–905 MHz:                                       |  | < 0.2                        |
| - 930–940 MHz:                                       | dB   | < 0.4 (< 0.3 rms over 5 MHz) |
| - 940–960 MHz:                                       |  | < 0.2                        |
| Out of band rejection                                |  |                              |
| - 921–924 MHz:                                       | dB   | < 44                         |
| - 924–925 MHz:                                       |  | < 40                         |
| Return loss  | dB   | > 20                         |
| Power handling                                       | W  | 160                          |
| Intermodulation (IM3)                                | dBm  | < -117* (at 2x43 dBm)        |
| <b>Mechanical Specifications</b>                     |  |                              |
| Dimensions (H x W x D)                               | mm   | 62 x 263 x 175               |
| Weight   | kg   | 3.8                          |
| Mounting options                                     | Rail, pole or wall (Rail bracket ordered separately)       |                              |
| RF connectors  | 4.3-10 (f)   |                              |
| <b>Environmental Specifications</b>                  |  |                              |
| Operating temperature                                | °C   | -40 to +55                   |
| IP class   | Outdoor, IP67  |                              |
| Lightning protection                                 | 5 kA 10/350 μs   |                              |
| Product safety                                       | International (CB): IEC 62368-1<br>Europe (CE): EN 62368-1 |                              |

\* Typical values



Single Unit

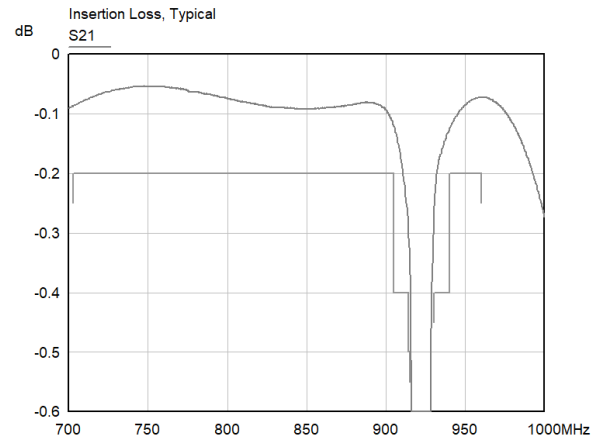
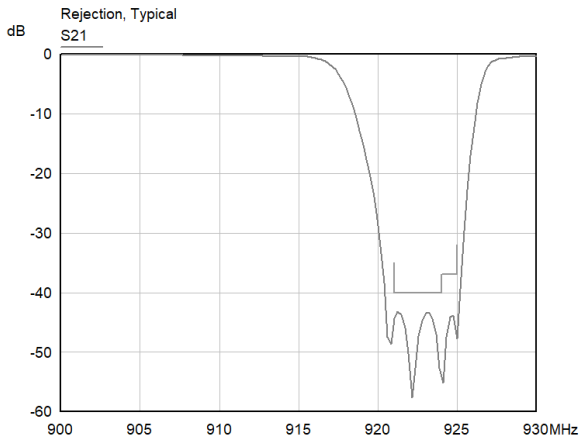
# SLF 703-915/930-960 MHz

## Spectrum Limitation Filter

KRF 102 433/4      703-915/930-960 MHz / GSM-R reject (2-2)

- Designed for co-location existence with the GSM-Railway system
- Optimized for use with Ericsson Radios to fulfill the 3GPP requirements
- Minimal insertion loss
- High rejection ensures system integrity between the co-sited systems
- High reliability and continuous operation in both indoor and outdoor environments
- An integrated DC by-pass function allows DC voltage and control signals to Antenna Line Devices such as RET or TMAs
- Wall mounting brackets and pole clamps are included





|  |  |                              |
|--|--|------------------------------|
| <b>Product No.</b>                                   | <b>KRF 102 433/4</b>                                       |                              |
| <b>Product Name</b>                                  | <b>SLF 703–915 / 930–960 MHz (2-2), GSM-R Reject</b>       |                              |
| <b>Electrical Specifications – Guaranteed Values</b> |  |                              |
| Insertion loss                                       |  |                              |
| - 703–905 MHz:                                       |  | < 0.2                        |
| - 905–914 MHz:                                       |  | < 0.4                        |
| - 914–915 MHz:                                       |  | < 0.5                        |
| - 930–940 MHz:                                       |  | < 0.4 (< 0.3 rms over 5 MHz) |
| - 940–960 MHz:                                       |  | < 0.2                        |
| Out of band rejection                                |  |                              |
| - 921–924 MHz:                                       |  | < 40                         |
| - 924–925 MHz:                                       |  | < 37                         |
| Return loss  |  | > 20                         |
| Power handling                                       |  | 160                          |
| Intermodulation (IM3)                                |  | < -117* (at 2x43 dBm)        |
| <b>Mechanical Specifications</b>                     |  |                              |
| Dimensions (H x W x D)                               | mm   | 62 x 263 x 175               |
| Weight   | kg   | 3.8                          |
| Mounting options                                     | Rail, pole or wall (Rail bracket ordered separately)       |                              |
| RF connectors  | 4.3-10 (f)   |                              |
| <b>Environmental Specifications</b>                  |  |                              |
| Operating temperature                                | °C   | -40 to +55                   |
| IP class   | Outdoor, IP67  |                              |
| Lightning protection                                 | 5 kA 10/350 µs   |                              |
| Product safety                                       | International (CB): IEC 62368-1<br>Europe (CE): EN 62368-1 |                              |

\* Typical values



Double Unit

# SLF B28/B8 / Stop B5

## Spectrum Limitation Filter

|                | passband            | rejection   |
|----------------|---------------------|-------------|
| KRF 102 442/12 | 703–803/884–960 MHz | 869–880 MHz |
| KRF 102 442/13 | 703–803/888–960 MHz | 869–884 MHz |
| KRF 102 442/n  | 703–803/8xx–960 MHz | 869–8xx MHz |

- Designed for Ericsson and non-Ericsson system compatibility
- Customized versions are available on request
- Low insertion loss
- For indoor and outdoor use
- Integrated mounting bracket for quick pole or wall mounting



| Product No.<br>Product Name                                |     | KRF 102 442/12**<br>SLF B28/B8,<br>B5 Reject (4-4)                            | KRF 102 442/13**<br>SLF B28/B8,<br>B5 Reject (4-4) | KRF 102 442/n<br>SLF Quad or<br>Double unit            |
|--|-----|---|--|--|
| <b>Electrical Specifications</b>                           |     |   |  |  |
| Rejection  | MHz | 869–880   | 869–884  | 869–8xx (max. 894)                                     |
| Passband   | MHz | 884–960 (B8sub)<br>703–803 (B28)  | 888–960 (B8sub)<br>703–803 (B28)                   | (880~898) – 960<br>703–803 (B28)                       |
| Insertion Loss<br>- B28:<br>- B8 typical:<br>- B8 typical: | dB  | < 0.2<br>0.4 (886–960 MHz)<br>1.0 (884– 886 MHz)                              | < 0.2<br>0.4 (890–960 MHz)<br>1.0 (888–890 MHz)    | < 0.2<br>0.4 (except first 2 MHz)<br>1.0 (first 2 MHz) |
| Out of band rejection                                      | dB  | > 53 (871–880 MHz)<br>Stepping down<br>to 869 MHz                             | > 53 (875–884 MHz)<br>Stepping down<br>to 869 MHz  | > 53 (8yy–8xx MHz)<br>Stepping down<br>to 869 MHz      |
| Return loss  | dB  | > 20  | > 20   | > 20   |
| Power handling (Continuous)*                               | W   | 120 (max. 100 per band)   |  |  |
| Intermodulation*   | dBm | IM3: < -117 (at 2x43 dBm)<br>IM5: < -125 (at 2x43 dBm)                        |  |  |
| DC Path*   |     | 40 V, 3 A, 3GPP (AISG) transparent  |  |  |
| <b>Mechanical Specifications*</b>                          |     |   |  |  |
| Dimensions (H x W x D)                                     | mm  | 205 x 273 x 111 (quad unit)   |  |  |
| Weight   | kg  | 7.9   |  |  |
| Mounting options   |     | Rail, pole or wall (Rail bracket ordered separately)                          |  |  |
| RF connectors  |     | 4.3-10 (f)  |  |  |
| Wind load at 50 m/s  | N   | 91  |  |  |
| <b>Environmental Specifications*</b>                       |     |   |  |  |
| Operating temperature                                      | °C  | -40 to +55  |  |  |
| Operating environment                                      |     | Outdoor, IP67   |  |  |
| Lightning protection                                       |     | 5 kA 10/350 µs, (Common Mode)   |  |  |
| Product safety   |     | International (CB): International (CB)<br>Europe (CE) Europe (CE): EN 62368-1 |  |  |

\* Common values for all variants

\*\* Ericsson can develop customer specific filters with similar RF properties and in different variants





Single Unit

# SLF B8 / Stop B5

## Spectrum Limitation Filter

|               | passband      | rejection start |
|---------------|---------------|-----------------|
| KRF 102 352/1 | 890–960 MHz   | 886.8 MHz       |
| KRF 102 352/2 | 883–960 MHz   | 879.8 MHz       |
| KRF 102 352/3 | 897.2–960 MHz | 894 MHz         |
| KRF 102 352/4 | 900–960 MHz   | 894 MHz         |

- Designed for Ericsson and non-Ericsson system compatibility
- Customized versions are available on request
- Low insertion loss and steep filter flanks
- For indoor and outdoor use
- Integrated mounting bracket for quick pole or wall mounting



[ericsson.com/antenna-system](https://ericsson.com/antenna-system)



Scan or [click](#)

| Product No.<br>Product Name  |     | KRF 102 352/1<br>SLF 900   | KRF 102 352/2<br>SLF 900   | KRF 102 352/3<br>SLF 900   | KRF 102 352/4*<br>SLF 900  |
|--|-----|--|--|--|--|
| <b>Radio Performance</b>   |     |  |  |  |  |
| 900 Passband   | MHz | 890–960  | 883–960  | 897.2–960  | 900–960  |
| 850 Rejection start  | MHz | 886.8  | 879.8  | 894  | 894  |
| Frequency range<br>UL:<br>DL:  | MHz | 890–915<br>935–960   | 883–915<br>928–960   | 897.2–915<br>942.2–960   | 900–915<br>945–960   |
| Out of band rejection  | dB  | > 35 (869–875 MHz)<br>> 45 (875–880 MHz)<br>> 55 (880–885 MHz)<br>> 35 (885–886.8 MHz) | > 45 (869–873 MHz)<br>> 55 (873–878 MHz)<br>> 35 (878–879.8 MHz) | > 35 (869–882.2 MHz)<br>> 45 (882.2–887.2 MHz)<br>> 55 (887.2–892.2 MHz)<br>> 35 (892.2–894 MHz) | > 40 (869–894 MHz)   |
| Insertion loss<br>UL typical:<br>UL max.:<br>DL typical:<br>DL max.: | dB  | 0.5<br>< 2.0<br>0.2<br>< 0.3   | 0.5<br>< 2.0<br>0.2<br>< 0.3                                     | 0.5<br>< 2.0<br>0.2<br>< 0.3   | 0.5 (900–915 MHz)<br>0.4 (902.1–913.1 MHz)<br>< 1.0 (900–915 MHz)<br>< 0.8 (902.1–913.1 MHz)<br>0.2<br>< 0.3 |
| Return loss  | dB  | > 20   | > 20   | > 20   | > 20   |
| Isolation<br>UL:<br>DL:  | dB  | > 55<br>> 50   | > 55<br>> 50   | > 55<br>> 50   | > 55<br>> 50   |
| Power handling   | dBm | Continuous: 53, Peak: 61   |  |  |  |
| Intermodulation (IM3)  | dBm | < -110 (at 2x43 dBm)   |  |  |  |
| DC Path  |     | 40 V, 3A, 3GPP (AISG) transparent  |  |  |  |
| <b>Mechanical Specifications</b>                                     |     |  |  |  |  |
| Dimensions (W x D x H)   | mm  | 181 x 204 x 54 (excl. bracket and connectors)  |  |  |  |
| Weight   | kg  | 3.4  |  |  |  |
| Mounting options   |     | Wall or pole   |  |  |  |
| RF connectors  |     | 7-16 (f)   |  |  |  |
| <b>Environmental Specifications</b>                                  |     |  |  |  |  |
| Operating temperature  | °C  | -40 to +55   |  |  |  |
| Operating environment  |     | Outdoor, IP67  |  |  |  |
| Lightning protection   |     | IEC 623 05-1   |  |  |  |

\* Customized variant: Extended temperature range -40°C to +65°C



Single Unit

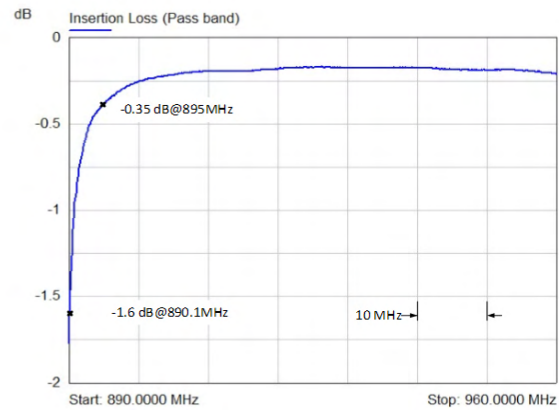
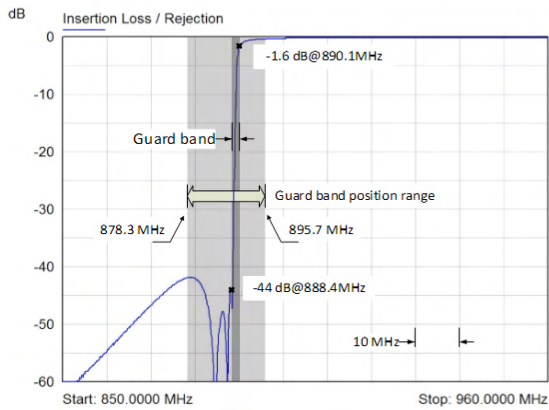
# SLF B0A/B8 / Stop B5

## Spectrum Limitation Filter

|               | passband      | rejection     |
|---------------|---------------|---------------|
| KRF 102 395/1 | 890.1–960 MHz | 869–888.4 MHz |
| KRF 102 395/n | 8xx–960 MHz   | 869–8xx MHz   |

- Designed for Ericsson and non-Ericsson system compatibility
- Factory-tuned to meet any B8 operator's requirements of high rejection in adjacent B5 band
- >40 dB rejection with only 1.5–1.7 MHz Guard Band
- Low insertion loss
- Wall mounting brackets and pole clamps are included





| Product No.                           |     | KRF 102 395/1   | KRF 102 395/n   |
|---------------------------------------|-----|---|---|
| Product Name                          |     | SLF B0A   | SLF B8 variant *  |
| <b>Electrical Specifications</b>      |     |   |   |
| Rejection                             | MHz | 869 to 888.4  | 869 to 8xx (max. 894)   |
| Passband                              | MHz | 890.1 to 960  | (880~895.7) to 960  |
| Guard band                            | MHz | 1.7   | 1.5 to 1.7  |
| Insertion Loss, UL typical            | dB  | 0.7 (890.1 to 895 MHz)<br>0.25 (895 to 915 MHz)   | 0.7 (lowest 5 MHz)<br>0.25 (remaining frequency band)         |
| Insertion loss, DL typical            | dB  | 0.2 (925 to 960 MHz)<br>(see graphs above for typical values)   | 0.2 (925 to 960 MHz)<br>(see graphs above for typical values) |
| Out of band rejection                 | dB  | > 40 (869 to 888.4 MHz)   | > 40 (869 to (878.4~894) MHz)                                 |
| Return loss                           | dB  | > 20  | > 20  |
| Power handling                        | dBm | Continuous: 46.6, Peak: 54.6  | Continuous: 46.6, Peak: 54.6                                  |
| Intermodulation                       | dBm | IM3 < -115 at 2x43 dBm<br>IM5 < -123 at 2x43 dBm  | IM3 < -115 at 2x43 dBm<br>IM5 < -123 at 2x43 dBm              |
| DC Path                               |     | 40 V, 3A, 3GPP (AISG) transparent   | 40 V, 3A, 3GPP (AISG) transparent                             |
| <b>Mechanical Specifications**</b>    |     |   |   |
| Dimensions (H x W x D)                | mm  | 215 x 291 x 72 (excl. bracket and connectors)   |   |
| Weight                                | kg  | 7.1   |   |
| Mounting options                      |     | Rail, pole or wall (Rail bracket ordered separately)  |   |
| RF connectors                         |     | 7-16 (f)<br>Upon request: 4.3-10 (f)  |   |
| Wind load at 50 m/s                   | N   | 161   |   |
| <b>Environmental Specifications**</b> |     |   |   |
| Operating temperature                 | °C  | -40 to +55  |   |
| IP class                              |     | Outdoor, IP67   |   |
| Lightning protection                  |     | 3 kA 10/350 μs, (IEC 623 05-1)  |   |
| Product safety                        |     | International (CB): IEC 60 950-1, IEC 62368-1<br>Europe (CE): EN 60 950-1, EN 60 950-22, EN 62368-1<br>North America (ETC): UL 60 950-1, CSA-C22.2 No. 60 950-1 |   |

\* Can be produced upon request

\*\* Common values for all variants



Single Unit



Single Unit

# SLF B8C

## Spectrum Limitation Filter

KRF 102 456/1

passband 897.65–900.35/936.65–939.35 MHz  
rejection 933.5–936.4/939.6–942.5 MHz

- Stable narrow-band performance
- DC bypass on all ports
- Wall mounting brackets and pole clamps are included
- Rail mounting is possible



[ericsson.com/antenna-system](https://ericsson.com/antenna-system)



Scan or [click](#)

|  |  |  |
|--|--|--|
| <b>Product No.</b>   | <b>KRF 102 456/1</b>                                 |  |
| <b>Product Name</b>  | <b>SLF B8C (2-2)</b>                                 |  |
| <b>Electrical Specifications</b>   |  |  |
| Frequency range  | MHz  | UL: 897.65–900.35<br>DL: 936.65–939.35   |
| Insertion loss:<br>- UL: 897.65–900.35 MHz<br>- DL: 936.65–939.35 MHz        | dB   | < 0.35 rms<br>0.3* rms<br>< 1.1 rms<br>0.98* rms   |
| Out of band rejection:<br>- 933.5–936.4 MHz<br>- 939.6–942.5 MHz             | dB   | > 7.5 rms in 100 kHz BW<br>10* rms in 100 kHz BW<br>> 7.5 rms in 100 kHz BW<br>10* rms in 100 kHz BW |
| Return loss  | dB   | > 18 (UL and DL)<br>21* (UL and DL)  |
| Isolation  | dB   | > 60   |
| Power handling (Prms)  | W  | 100 per port   |
| Maximum DC voltage   | V  | 40   |
| Maximum DC current   | A  | 3  |
| DC Bypass  | Bypass on all ports                                  |  |
| <b>Mechanical Specifications</b>   |  |  |
| Dimensions (H x W x D)   | mm   | 259 × 349 × 72   |
| Weight   | kg   | 9  |
| Mounting options   | Rail, pole or wall (Rail bracket ordered separately) |  |
| RF connectors  | 4.3–10 (f)   |  |
| <b>Environmental Specifications</b>  |  |  |
| Temperature range,<br>full performance<br>- Operational<br>- Non-destructive | °C   | -40 to +55<br>-40 to +70   |
| IP class   | IP67   |  |
| Lightning protection   | 5 kA 10/350 μs, 20 kA 8/20 μs (Common Mode)          |  |
| Product safety   | International (CB): IEC 62368-1                      |  |

\* Typical values



Single Unit



Double Unit

# SLF B32H-OFCOM

## Spectrum Limitation Filter

|               | passband      | rejection     |
|---------------|---------------|---------------|
| KRF 102 452/3 | 1452–1472 MHz | 1495–1518 MHz |
| KRF 102 452/4 | 1452–1472 MHz | 1495–1518 MHz |

- Designed for Ericsson and non-Ericsson system compatibility
- Part of Ericsson Radio System concept
- Verified as an RBS integrated system solution
- DC by-pass on all ports
- Wall mounting brackets and pole clamps are included



| Product No.<br>Product Name   |     | KRF 102 452/3<br>SLF B32H-OFCOM (2-2)                      | KRF 102 452/4<br>SLF B32H-OFCOM (4-4) |
|---|-----|--|---------------------------------------|
| <b>Electrical Specifications*</b>   |     |  |                                       |
| Frequency range   | MHz | 1452–1472  |                                       |
| Insertion loss  | dB  | < 0.55 rms for an LTE20                                    |                                       |
| Out of band rejection<br>- 1495–1498.5 MHz:<br>- 1498.5–1505 MHz:<br>- 1505–1518 MHz. | dB  | > 10<br>> 53<br>> 48                                       |                                       |
| Return loss   | dB  | > 20   |                                       |
| Power handling (Prms)   | W   | 100 per port   |                                       |
| Intermodulation (IM3)   | dBm | < -110 (at 2x43 dBm)                                       |                                       |
| DC configuration  |     | Bypass   |                                       |
| <b>Mechanical Specifications</b>  |     |  |                                       |
| Dimensions (W x D x H)  | mm  | 165 x 187 x 52   | 165 x 187 x 112                       |
| Weight  | kg  | 2.85   | 5.45                                  |
| Mounting options  |     | Rail, pole or wall (Rail bracket ordered separately)       |                                       |
| RF connectors   |     | 4.3-10 (f)   |                                       |
| <b>Environmental Specifications</b>   |     |  |                                       |
| Operating temperature   | °C  | -40 to +55   |                                       |
| IP class  |     | IP67   |                                       |
| Lightning protection  |     | 5 kA 10/350 µs (Common mode)                               |                                       |
| Product safety  |     | International (CB): IEC 62368-1<br>Europe (CE): EN 62368-1 |                                       |
| <b>Accessories</b>  |     |  |                                       |
| Pole clamps (50–150 mm) included  |     |  |                                       |

\* Common values for both variants





Double Unit

# SLF B32E-OFCOM

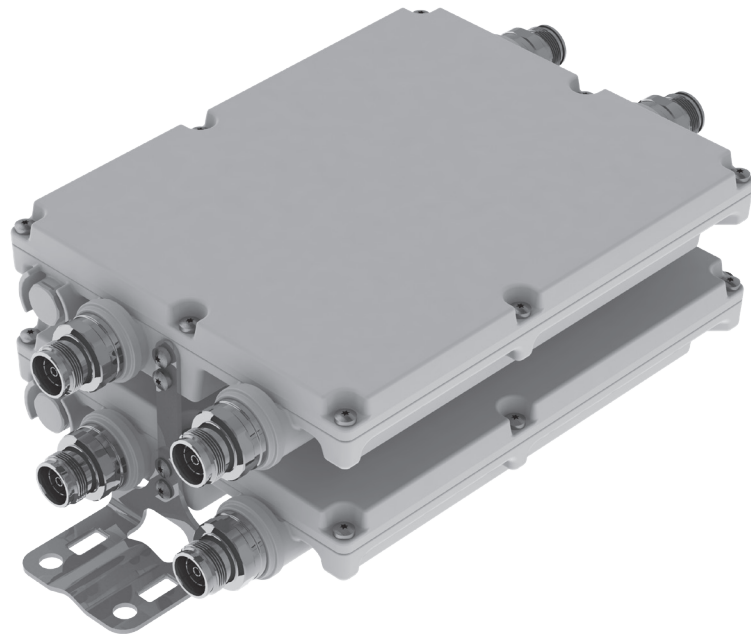
## Spectrum Limitation Filter

|               |                           |                              |
|---------------|---------------------------|------------------------------|
| KRF 102 452/2 | passband<br>1472–1492 MHz | rejection<br>1498.5–1518 MHz |
|---------------|---------------------------|------------------------------|

- Designed for Ericsson and non-Ericsson system compatibility
- Part of Ericsson Radio System concept
- Verified as an RBS integrated system solution
- DC by-pass on all ports
- Wall mounting brackets and pole clamps are included



|   |     |  |
|---|-----|--|
| <b>Product No.</b>  |     | <b>KRF 102 452/2</b>                                       |
| <b>Product Name</b>   |     | <b>SLF B32E-OFCOM (4-4)</b>                                |
| <b>Electrical Specifications</b>                                |     |  |
| Frequency range   | MHz | 1472–1492  |
| Insertion loss  | dB  | < 0.55 rms for an LTE20                                    |
| Out of band rejection<br>- 1498.5–1505 MHz:<br>- 1505–1518 MHz: | dB  | > 53<br>> 48   |
| Return loss   | dB  | > 20   |
| Power handling (Prms)   | W   | 100 per port   |
| Intermodulation (IM3)   | dBm | < -110 (at 2x43 dBm)                                       |
| DC configuration  |     | Bypass   |
| <b>Mechanical Specifications</b>                                |     |  |
| Dimensions (W x D x H)  | mm  | 165 x 187 x 112  |
| Weight  | kg  | 5.4  |
| Mounting options  |     | Rail, pole or wall (Rail bracket ordered separately)       |
| RF connectors   |     | 4.3-10 (f)   |
| <b>Environmental Specifications</b>                             |     |  |
| Operating temperature   | °C  | -40 to +55   |
| IP class  |     | IP67   |
| Lightning protection  |     | 5 kA 10/350 μs (Common mode)                               |
| Product safety  |     | International (CB): IEC 62368-1<br>Europe (CE): EN 62368-1 |
| <b>Accessories</b>  |     |  |
| Pole clamps (50–150 mm) included                                |     |  |



Double Unit

# SLF B38 with B7 suppression

## Spectrum Limitation Filter

78211847

passband  
2575–2615 MHz

- Band-pass Filter for Band 38 with Band 7 Suppression
- Suitable for indoor or outdoor applications
- Wall or mast mounting



[ericsson.com/antenna-system](https://ericsson.com/antenna-system)

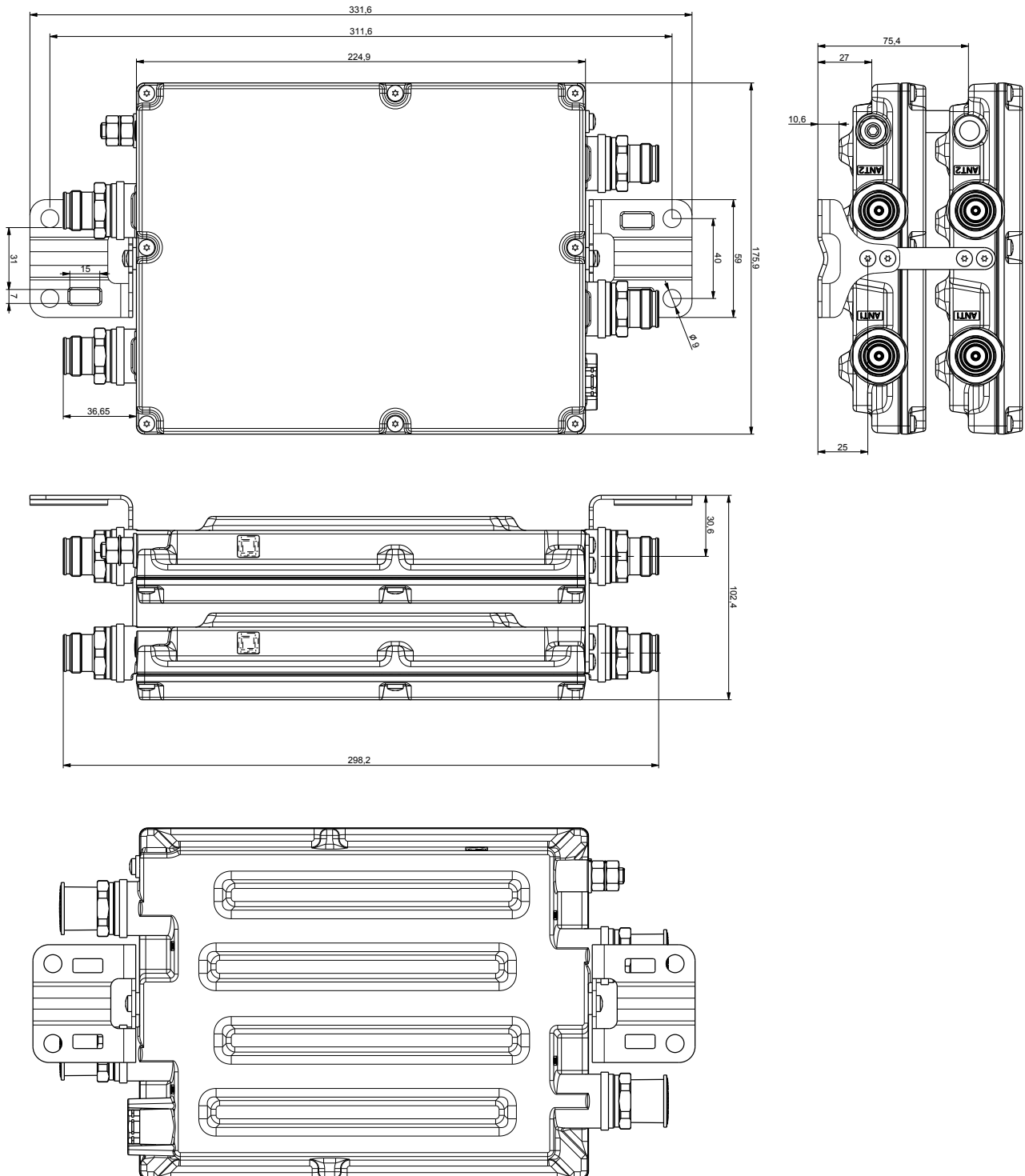


Scan or [click](#)

|                                     |         |   |
|-------------------------------------|---------|---|
| <b>Product No.</b>                  |         | <b>78211847<br/>Double Unit</b>   |
| <b>Electrical Specifications</b>    |         |   |
| Pass band                           | MHz     | 2575–2615   |
| Insertion loss                      | dB      |   |
| - 2575–2577 / 2613–2615 MHz:        |         | 1.4   |
| - 2577–2580 / 2610–2613 MHz:        |         | 1.1   |
| - 2580–2610 MHz:                    |         | 0.9   |
| Stop band attenuation               | dB      |   |
| - < 2535 / > 2655 MHz:              |         | > 50  |
| - 2535–2555 / 2635–2655 MHz:        |         | > 40  |
| - 2555–2570 / 2620–2635 MHz:        |         | >35   |
| VSWR                                |         | < 1.25 (2575 – 2615 MHz)  |
| Impedance                           | Ω       | 50  |
| DC/AISG transparency                | mA      | <b>By-pass (max. 2500)</b>  |
| Input power per port                | W       | < 40  |
| Intermodulation products            | dBc     | < -160 (3 <sup>rd</sup> order; with 2 x 20 W)                                       |
| <b>Mechanical Specifications</b>    |         |   |
| Dimensions (H x W x D)              | mm   in | 225 x 176 x 92   8.9 x 6.9 x 3.6<br>(without connectors, without mounting brackets) |
| Packing size                        | mm   in | 380 x 235 x 150   15.0 x 9.3 x 5.9  |
| Weight                              | kg   lb | 6.0   13.2  |
| Mounting options                    |         | Mast mounting: with additional clamp set  |
| Connectors                          |         | 4.3-10  |
| Number of input/output ports        |         | 4x Input (BTS), 4x Output (ANT)   |
| <b>Environmental Specifications</b> |         |   |
| Operating temperature               | °C      | -40 to +60   -40 to +140  |
| IP class                            |         | Indoor and outdoor, IP66  |

**Accessories (order separately)**

| Product No. |         | Clamp set suitable for<br>mast diameter of |
|-------------|---------|--|
| 734360      | mm   in | 34–60   1.34–2.36                          |
| 734364      | mm   in | 120–140   4.72–5.51                        |
| 734365      | mm   in | 45–125   1.77–4.92                         |

**Dimensions**



Single Unit

# SLF B38A

## Spectrum Limitation Filter

|               | passband      | rejection               |
|---------------|---------------|-------------------------|
| KRF 102 415/1 | 2575–2615 MHz | 2500–2570/2620–2690 MHz |
| KRF 102 415/2 | 2575–2615 MHz | 2500–2570/2620–2690 MHz |

- Optimized for use with Ericsson Radios to fulfill the 3GPP requirements
- B38A (2-2) or (4-4) Co-located with B7
- Cost-effective design for deliveries as both a double and a quadruple unit
- Suitable for indoor or outdoor applications
- Low insertion loss
- Wall mounting brackets and pole clamps are included



| Product No.<br>Product Name  |     | KRF 102 415/1<br>SLF B38A (2-2)   | KRF 102 415/2<br>SLF B38A (4-4)                   |
|--|-----|---|---|
| <b>Electrical Specifications**</b>   |     |   |   |
| Frequency range<br>- TDD:  | MHz | 2575–2615   |   |
| Insertion loss<br>- 2575–2585 MHz:<br>- 2585–2605 MHz:<br>- 2605–2615 MHz: | dB  | 0.75*<br>0.55*<br>0.70*   |   |
| Out of band rejection:<br>- 2500–2570 MHz:<br>- 2620–2690 MHz:             | dB  | > 27<br>> 27  |   |
| Return loss  | dB  | > 22<br>> 20  |   |
| Isolation  | dB  | > 50  |   |
| Power handling (Prms)  | dBm | 50  |   |
| Intermodulation (IM3)  | dBm | < -110 (at 2x43 dBm)  |   |
| <b>Mechanical Specifications</b>   |     |   |   |
| Dimensions (H x W x D)   | mm  | 48 x 183 x 193<br>(excl. brackets and connectors)   | 99 x 183 x 193<br>(excl. brackets and connectors) |
| Weight   | kg  | 2.7   | 5.7   |
| Mounting options   |     | Pole or wall  | Pole or wall                                      |
| RF connectors  |     | 4.3-10 (f)  | 4.3-10 (f)  |
| <b>Environmental Specifications**</b>                                      |     |   |   |
| Operating temperature  | °C  | -40 to +55  |   |
| IP class   |     | Outdoor, IP67   |   |
| Lightning protection   |     | 5 kA 10/350 µs, 20 kA 8/20 µs (Common mode)   |   |
| Product safety   |     | International (CB): IEC 62368-1<br>Europe (CE): EN 62368-1<br>North America (ETC): CSA/UL 62368-1 |   |

\* Typical values

\*\* Common values for both variants



Single Unit

# SLF B78C

## Spectrum Limitation Filter

|               |                           |                            |
|---------------|---------------------------|----------------------------|
| KRF 102 446/2 | passband<br>3300–3700 MHz | rejection<br>3710–4200 MHz |
|---------------|---------------------------|----------------------------|

- High out of band rejection
- Low insertion loss
- DC bypass on all ports
- Wall mounting brackets and pole clamps are included
- Rail mounting is possible





|  |  |  |
|--|--|--|
| <b>Product No.</b>   | <b>KRF 102 446/2</b>                                       |  |
| <b>Product Name</b>  | <b>SLF B78C (4-4)</b>                                      |  |
| <b>Electrical Specifications</b>   |  |  |
| Frequency range  | MHz  | 3300–3700                                |
| Insertion loss:<br>- 3300–3680 MHz<br>- 3680–3700 MHz  | dB   | 0.11*<br>0.41*                           |
| Out of band rejection:<br>- 3710–3720 MHz<br>- 3720–3740 MHz<br>- 3740–3800 MHz<br>- 3800–4200 MHz | dB   | > 14 dB<br>> 40 dB<br>> 20 dB<br>> 34 dB |
| Return loss  | dB   | > 20                                     |
| Isolation  | dB   | > 50                                     |
| Power handling (Prms)  | W  | 100 per port                             |
| Intermodulation (IM3) at 2 × 43 dBm  | dBm  | < -105                                   |
| Maximum DC voltage   | V  | 40                                       |
| Maximum DC current   | A  | 3  |
| DC Bypass  |  |  |
| <b>Mechanical Specifications</b>   |  |  |
| Dimensions (H x W x D)   | mm   | 165 × 273 × 44                           |
| Weight   | kg   | 3.55                                     |
| Mounting options   | Rail, pole or wall (Rail bracket ordered separately)       |  |
| RF connectors  | 4.3–10 (f)   |  |
| <b>Environmental Specifications**</b>  |  |  |
| Temperature range,<br>full performance<br>- Operational<br>- Non-destructive                       | °C   | -40 to +55<br>-40 to +70                 |
| IP class   | IP67   |  |
| Lightning protection   | 5 kA 10/350 μs, (Common Mode)                              |  |
| Product safety   | International (CB): IEC 62368-1<br>Europe (CE): EN 62368-1 |  |

\* Typical values



Double Unit

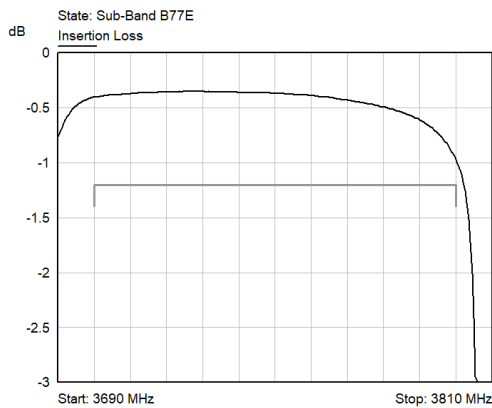
# SLF B77E

## Spectrum Limitation Filter

|               |                           |  |
|---------------|---------------------------|--|
| KRF 102 444/2 | passband<br>3700–3800 MHz | rejection<br>3810–4200 MHz (remotely reconfigurable) |
|---------------|---------------------------|--|

- Designed for co-existence with satellite communication in the upper part of B77D also known as the C-Band
- Remotely reconfigurable
- Low insertion loss
- For indoor and outdoor use
- Integrated mounting bracket for quick pole or wall mounting





| Product No.<br>Product Name  |   | KRF 102 444/2<br>SLF B77E (8-8) |                       |                       |
|------------------------------|---|---------------------------------|-----------------------|-----------------------|
| Electrical Specifications    |   | Radio 8863+SL Filter B77E       | SL Filter B77E only   | SL Filter B77E only   |
| State                        |   | Sub-Band B77E                   | Sub-Band B77E         | Full-Band B77D        |
| Passband                     | MHz   |                                 | 3700–3800             | 3700–3980             |
| Insertion Loss               | dB  |                                 | < 1.2<br>0.45*        | < 0.3<br>0.25*        |
| Out of band rejection        | dB  |                                 |                       |                       |
| - 3810–3820 MHz:             |   | ≥ 7 dB                          | ≥ 7 dB                | N/A                   |
| - 3820–4000 MHz:             |   | ≥ 50 dB                         | ≥ 50 dB               | N/A                   |
| - 4000–4100 MHz:             |   | >> 60 dB                        | ≥ 50 dB               | N/A                   |
| - 4100–4200 MHz:             |   | >> 60 dB                        | ≥ 40 dB               | N/A                   |
| Return loss                  | dB  |                                 | 20*                   | 20*                   |
| Isolation                    | dB  |                                 | > 50                  | > 50                  |
| Power handling               | W   |                                 | 70 (RMS per port)     | 70 (RMS per port)     |
| Intermodulation (IM3)        | dBm   |                                 | < -105* (at 2x43 dBm) | < -105* (at 2x43 dBm) |
| Mechanical Specifications*   |   |                                 |                       |                       |
| Dimensions (H x W x D)       | mm  | 180 x 345 x 113                 |                       |                       |
| Weight                       | kg  | 9.8                             |                       |                       |
| Mounting options             | Rail, pole or wall (Rail bracket ordered separately)  |                                 |                       |                       |
| RF connectors                | 4.3-10 (f)  |                                 |                       |                       |
| DC supply and control        |   |                                 |                       |                       |
| Control interface            | AISG RS-485 (RET IN port), AISG bypass for RET control (RET OUT port)                             |                                 |                       |                       |
| Power supply                 | V DC  | 10–30 (RET IN port)             |                       |                       |
| Power consumption            | W   | Idle 1.5, Configuring 4.2       |                       |                       |
| DC/AISG bypass               | All RF paths A - H  |                                 |                       |                       |
| Environmental Specifications |   |                                 |                       |                       |
| Operating temperature        | °C  | -40 to +55                      |                       |                       |
| Operating environment        | Outdoor, IP67   |                                 |                       |                       |
| Lightning protection         | 5 kA 10/350 μs, 20 kA 8/20 μs (common mode)   |                                 |                       |                       |
| Product safety               | International (CB): IEC 62368-1<br>Europe (CE): EN 62368-1<br>North America (ETC): CSA/UL 62368-1 |                                 |                       |                       |

\* Typical values



Double Unit

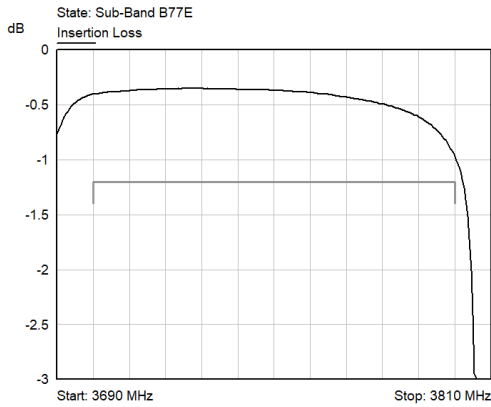
# SLF B77E OOK

## Spectrum Limitation Filter

|               |                           |   |
|---------------|---------------------------|---|
| KRF 102 444/4 | passband<br>3700–3800 MHz | rejection<br>3810–4200 MHz (remotely reconfig. OOK) |
|---------------|---------------------------|---|

- Designed for co-existence with satellite communication in the upper part of B77D also known as the C-Band
- Remotely reconfigurable / OOK
- Low insertion loss
- For indoor and outdoor use
- Integrated mounting bracket for quick pole or wall mounting





| Product No.<br>Product Name         |      | KRF 102 444/4<br>SLF B77E OOK (8-8)   |                       |                       |
|-------------------------------------|------|---|-----------------------|-----------------------|
| Electrical Specifications           |      | Radio 8863+SL Filter B77E   | SL Filter B77E only   | SL Filter B77E only   |
| State                               |      | Sub-Band B77E   | Sub-Band B77E         | Full-Band B77D        |
| Passband                            | MHz  |   | 3700–3800             | 3700–3980             |
| Insertion Loss                      | dB   |   | < 1.2<br>0.45*        | < 0.3<br>0.25*        |
| Out of band rejection               | dB   |   |                       |                       |
| - 3810–3820 MHz:                    |      | ≥ 7 dB  | ≥ 7 dB                | N/A                   |
| - 3820–4000 MHz:                    |      | ≥ 50 dB   | ≥ 50 dB               | N/A                   |
| - 4000–4100 MHz:                    |      | >> 60 dB  | ≥ 50 dB               | N/A                   |
| - 4100–4200 MHz:                    |      | >> 60 dB  | ≥ 40 dB               | N/A                   |
| Return loss                         | dB   |   | 20*                   | 20*                   |
| Isolation                           | dB   |   | > 50                  | > 50                  |
| Power handling                      | W    |   | 70 (RMS per port)     | 70(RMS per port)      |
| Intermodulation (IM3)               | dBm  |   | < -105* (at 2x43 dBm) | < -105* (at 2x43 dBm) |
| <b>Mechanical Specifications*</b>   |      |   |                       |                       |
| Dimensions (H x W x D)              | mm   | 180 x 345 x 113   |                       |                       |
| Weight                              | kg   | 9.8   |                       |                       |
| Mounting options                    |      | Rail, pole or wall (Rail bracket ordered separately)  |                       |                       |
| RF connectors                       |      | 4.3-10 (f)  |                       |                       |
| <b>DC supply and control</b>        |      |   |                       |                       |
| Control interface                   |      | AISG OOK (RBS A port)   |                       |                       |
| Power supply                        | V DC | 10–30 (RET IN port)   |                       |                       |
| Power consumption                   | W    | Idle 1.5, Configuring 4.2   |                       |                       |
| DC bypass                           |      | RF path H   |                       |                       |
| <b>Environmental Specifications</b> |      |   |                       |                       |
| Operating temperature               | °C   | -40 to +55  |                       |                       |
| Operating environment               |      | Outdoor, IP67   |                       |                       |
| Lightning protection                |      | 5 kA 10/350 μs, 20 kA 8/20 μs (common mode)   |                       |                       |
| Product safety                      |      | International (CB): IEC 62368-1<br>Europe (CE): EN 62368-1<br>North America (ETC): CSA/UL 62368-1 |                       |                       |

\* Typical values

## Hybrid Combiner

| Product Name<br>Product No.            | Frequency range | Max. input power   | Connector type<br>(female) | Page                |
|--|-----------------|--------------------|----------------------------|---------------------|
| Hybrid Combiner (4-2)<br>KRF 201 483/1 | 698 – 960 MHz   | 65 W at each port  | 7-16                       | <a href="#">764</a> |
| Hybrid Combiner (4-2)<br>KRF 201 483/2 | 1710 – 2200 MHz | 65 W at each port  | 7-16                       | <a href="#">764</a> |
| Hybrid Combiner (2-1)<br>78210506      | 698 – 2690 MHz  | 150 W at each port | 7-16                       | <a href="#">766</a> |
| Hybrid Combiner (2-1)<br>78210507      | 698 – 2690 MHz  | 60 W at each port  | 4.3-10                     | <a href="#">769</a> |
| Hybrid Combiner (2-2)<br>78210527      | 698 – 2690 MHz  | 150 W at each port | 4.3-10                     | <a href="#">772</a> |
| Hybrid Combiner (4-4)<br>78210536      | 698 – 2690 MHz  | 150 W at each port | 4.3-10                     | <a href="#">775</a> |

## Hybrid Combiner – Overview

| Product No. | Type             | Connector Type | Frequency / MHz |            |      |      |      |      |      |      |             |      |      |      |  |  |  |  |
|-------------|------------------|----------------|-----------------|------------|------|------|------|------|------|------|-------------|------|------|------|--|--|--|--|
|             |                  |                | 600             | 800        | 1000 | 1200 | 1400 | 1600 | 1800 | 2000 | 2200        | 2400 | 2600 | 2800 |  |  |  |  |
| KRF201483/1 | (4-2), 4 x 65 W  | 7-16           |                 | 698 - 960  |      |      |      |      |      |      |             |      |      |      |  |  |  |  |
| KRF201483/2 | (4-2), 4 x 65 W  | 7-16           |                 |            |      |      |      |      |      |      | 1710 - 2200 |      |      |      |  |  |  |  |
| 78210506    | (2-1), 2 x 150 W | 7-16           |                 | 698 - 2690 |      |      |      |      |      |      |             |      |      |      |  |  |  |  |
| 78210507    | (2-1), 2 x 60 W  | 4.3-10         |                 | 698 - 2690 |      |      |      |      |      |      |             |      |      |      |  |  |  |  |
| 78210527    | (2-2), 2 x 150 W | 4.3-10         |                 | 698 - 2690 |      |      |      |      |      |      |             |      |      |      |  |  |  |  |
| 78210536    | (4-4), 4 x 150 W | 4.3-10         |                 | 698 - 2690 |      |      |      |      |      |      |             |      |      |      |  |  |  |  |



# Hybrid Combiner (4-2)

KRF 201 483/1, KRF 201 483/2

698–960 MHz | 4x65 W

1710–2200 MHz | 4x65 W

- Designed for both Ericsson and non-Ericsson system compatibility
- Low insertion loss and excellent isolation.
- Double unit, i.e. four RBS ports combined into two antenna ports.
- Both indoor and outdoor applicable.
- High power handling capacity
- Integrated mounting bracket



[ericsson.com/antenna-system](https://ericsson.com/antenna-system)

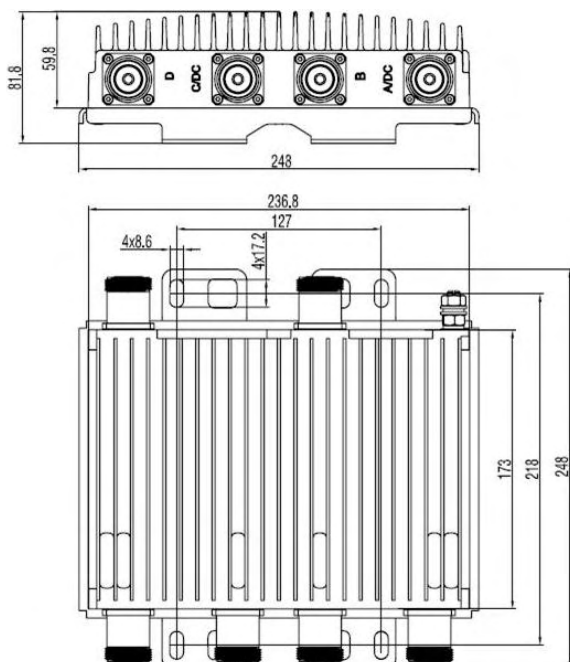


Scan or [click](#)



| Product No.                                   |     | KRF 201 483/1<br>Hybrid Combiner (4-2)  | KRF 201 483/2<br>Hybrid Combiner (4-2) |
|---|-----|---|--|
| <b>Electrical Specifications</b>              |     |   |  |
| Frequency options                             | MHz | 698 – 960   | 1710 – 2200                            |
| Isolation Port A/DC - B or C/DC - D           | dB  | ≥ 25.5 (typical 28)   |  |
| Input return loss                             | dB  | ≥ 18.5 (typical 22)   |  |
| Insertion loss                                | dB  | < 3.4 (typical 3.2)   |  |
| Maximum input power                           | W   | 65 per input port   |  |
| IM 3 (2x43 dBm, CW)                           | dBm | < -107  |  |
| DC transparency                               |     | 0.1 Ω, max. 32V/3A between the A/DC or C/DC ports and their corresponding antenna ports |  |
| Impedance                                     | Ω   | 50  |  |
| <b>Mechanical Specifications</b>              |     |   |  |
| Dimensions (w x h x d)                        | mm  | 248 x 173 x 82 (Connectors and brackets excluded)                                       |  |
| Weight  | kg  | 5   |  |
| RF connectors                                 |     | 7-16 (f), long neck (6pcs)  |  |
| <b>Environmental Specifications</b>           |     |   |  |
| Operating temperature                         | °C  | -40 to +55  |  |
| Humidity                                      |     | Relative 5–100 %  |  |
| Sealing                                       |     | IP67  |  |
| Accessories                                   |     | Mounting bracket for a fast installation  |  |
| <b>Accessories (to be ordered seperately)</b> |     |   |  |
| 50 Ohm termination for unused A-D ports       |     | 78410367  |  |

Dimensions in mm





# Hybrid Combiner (2-1)

78210506

698–2690 MHz | 2x150 W

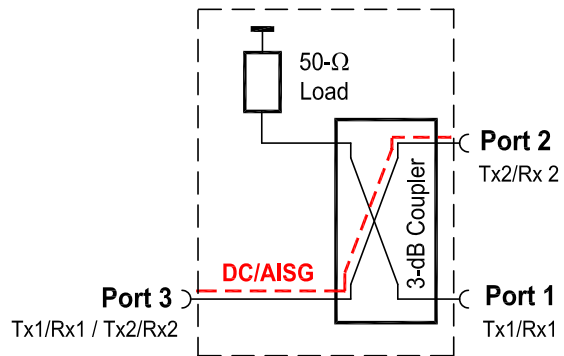
- Designed for the decoupled combining of 2 transmitter or receiver signals onto one common antenna
- The frequency spacing between transmitter signals can be as small as required
- Excellent intermodulation performance
- Suitable for indoor or outdoor applications
- DC by-pass between port 2 and port 3



[ericsson.com/antenna-system](https://ericsson.com/antenna-system)



Scan or [click](#)





|                          |          |   |
|--------------------------|----------|---|
| Product No.              |          | 78210506  |
| Frequency range          | MHz      | 698 – 2690  |
| Attenuation              |          |   |
| Port 1 ↔ Port 3          | dB       | 3 ± 0.6   |
| Port 2 ↔ Port 3          | dB       | 3 ± 0.6   |
| Port 1 ↔ Port 2          | dB       | > 25*   |
| VSWR (all ports)         |          | < 1.12 (698 – 2690 MHz)   |
| Impedance                | Ω        | 50  |
| Input power              |          |   |
| Port 1                   | W        | < 150   |
| Port 2                   | W        | < 150   |
| Intermodulation products | dBc      | < -160 (3 <sup>rd</sup> order; with 2 x 20 W)   |
| Temperature range        | °C       | -40 ... +55   |
| Connectors               |          | 7-16 female   |
| Application              |          | Indoor or outdoor (IP 66)   |
| DC/AISG transparency     |          |   |
| Port 1 ↔ Port 3          |          | Stop  |
| Port 2 ↔ Port 3          |          | By-pass (max. 2500 mA)  |
| Mounting                 | mm   in  | Wall mounting: With 4 screws (diameter max. 8   0.31) /<br>Mast mounting: With additional clamp set |
| Weight                   | kg   lbs | 8   17.64   |
| Packing size             | mm   in  | 545 x 280 x 190   21.46 x 11.02 x 7.48  |
| Dimensions (w x h x d)   | mm   in  | 235 x 480 x 120   9.25 x 18.90 x 4.72<br>(without connectors, without mounting brackets)            |

\* Valid if all ports are terminated with 50-Ohm loads.

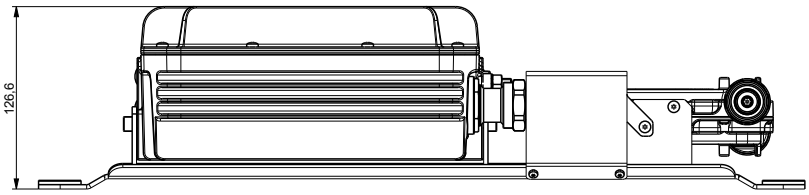
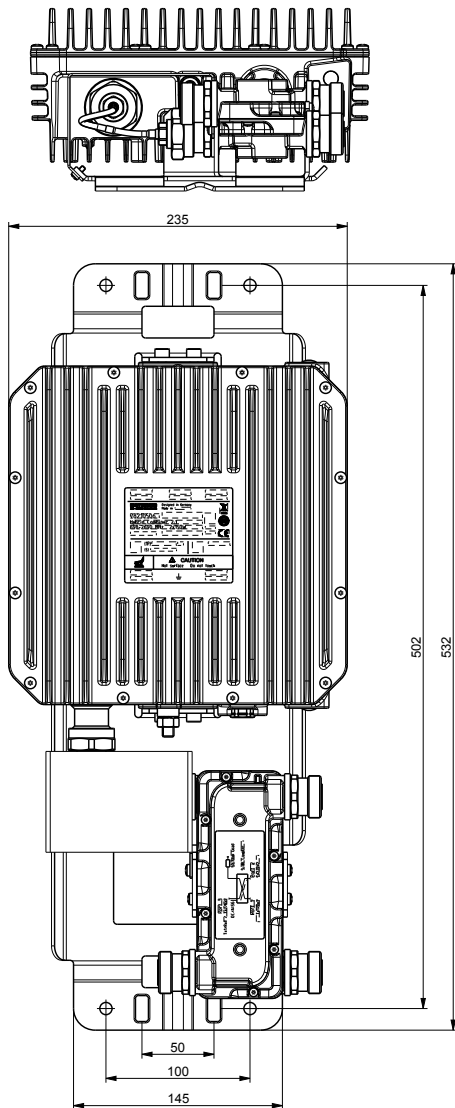
#### Note:

The input power rating of 150 W is specified at an ambient temperature of +40 °C with the combiner mounted vertically, without additional cooling, and while respecting the safety standard EN IEC 60950 (max. surface temperature +90 °C).

The max. power rating increases or decreases with falling or rising ambient temperature and depending on horizontal or vertical mounting in accordance with the following table:

|                          | Mounted horizontally  | Mounted vertically  |
|--------------------------|---|---|
| Max. ambient temperature |  |  |
| +55 °C                   | 80 W  | 100 W   |
| +40 °C                   | 110 W   | 150 W   |
| +25 °C                   | 150 W   | 100 W   |

Dimensions in mm

**Accessories (order separately)**

| Product No. |         | Clamp set suitable for mast diameter of |
|-------------|---------|---|
| 734360      | mm   in | 34–60   1.34–2.36                       |
| 734364      | mm   in | 120–140   4.72–5.51                     |
| 734365      | mm   in | 45–125   1.77–4.92                      |



# Hybrid Combiner (2-1)

78210507

698–2690 MHz | 2x60 W

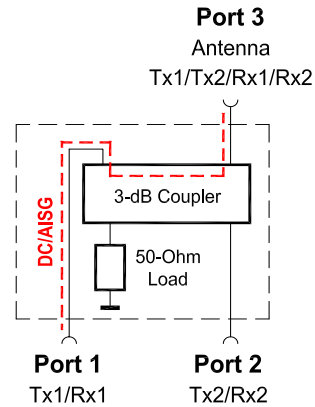
- With 4.3-10 connectors
- Designed for the decoupled combining of 2 transmitter or receiver signals onto one common antenna
- The frequency spacing between transmitter signals can be as small as required
- Excellent intermodulation performance
- Suitable for indoor or outdoor applications
- Wall or mast mounting
- DC by-pass between port 1 and port 3



[ericsson.com/antenna-system](https://ericsson.com/antenna-system)



Scan or [click](#)



|                          |         |   |
|--------------------------|---------|---|
| Product No.              |         | 78210507  |
| Frequency range          | MHz     | 698 – 2690  |
| Attenuation              |         |   |
| Port 1 ↔ Port 3          | dB      | 3.1 ±0.5  |
| Port 2 ↔ Port 3          | dB      | 3.1 ±0.5  |
| Port 1 ↔ Port 2          | dB      | > 23*   |
| VSWR (all ports)         |         | < 1.2 (698 – 2170 MHz) / < 1.25 (2170 – 2690 MHz)   |
| Impedance                | Ω       | 50  |
| Input power              |         |   |
| Port 1                   | W       | < 60  |
| Port 2                   | W       | < 60  |
| Intermodulation products | dBc     | < -160 (3 <sup>rd</sup> order; with 2 x 20 W)   |
| Temperature range        | °C   °F | -40 ... +55   -40 ... +131  |
| Connectors               |         | 4.3-10 female   |
| Application              |         | Indoor or outdoor (IP 66)   |
| DC/AISG transparency     |         |   |
| Port 1 ↔ Port 3          |         | By-pass (max. 2500 mA)  |
| Port 2 ↔ Port 3          |         | Stop  |
| Mounting                 | mm   in | Wall mounting: With 4 screws (diameter max. 8   0.31) /<br>Mast mounting: With additional clamp set |
| Weight                   | kg   lb | 4.3   9.5   |
| Dimensions (w x h x d)   | mm   in | 264 x 203 x 72.5   10.4 x 8.0 x 2.9<br>(without connectors, without mounting brackets)              |
| Packing size             | mm   in | 385 x 345 x 168   15.3 x 13.7 x 6.6   |

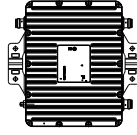
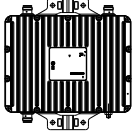
\* Valid if all ports are terminated with 50-Ohm loads.

#### Note:

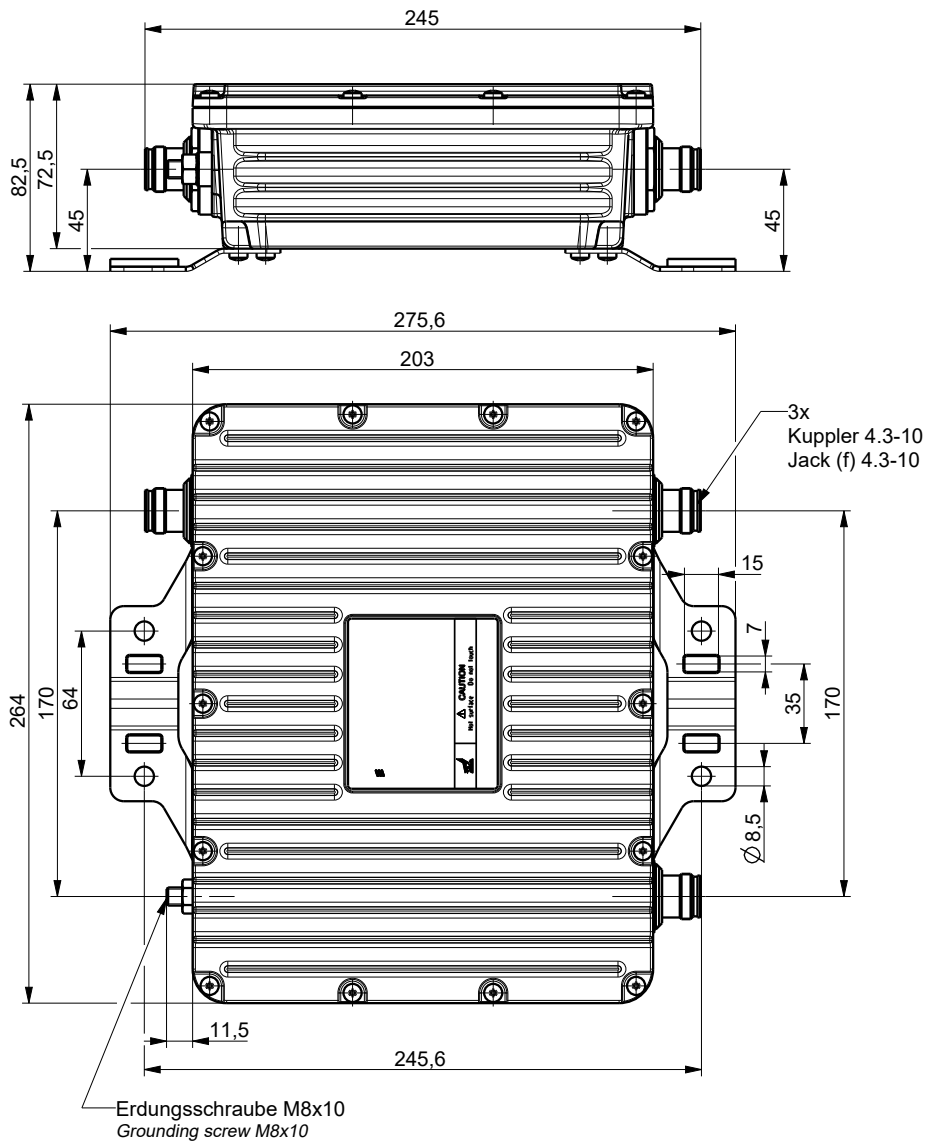
The input power rating of 150 W is specified at an ambient temperature of +40 °C with the combiner mounted vertically, without additional cooling, and while respecting the safety standard EN IEC 60950 (max. surface temperature +90 °C).

If used at a lower ambient temperature, then a higher input power in accordance with the following table is possible:

#### Max. input power per port

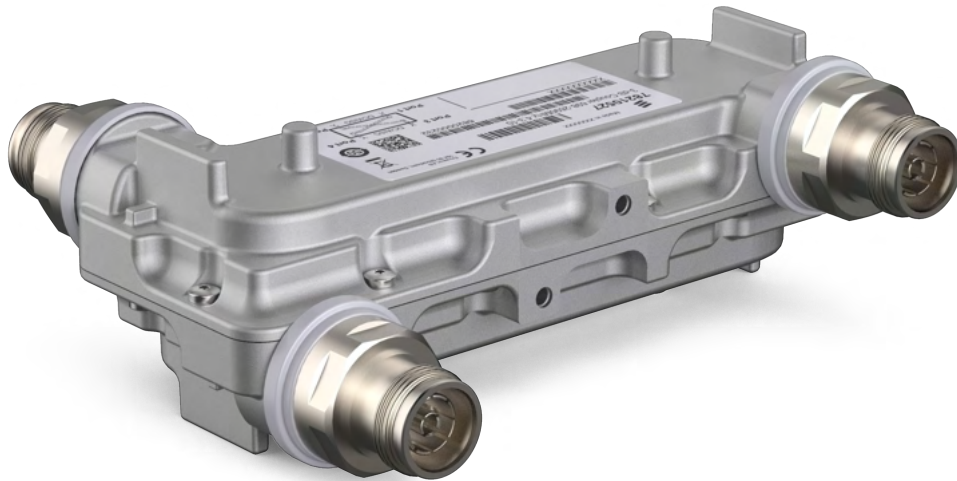
|                          | Mounted horizontally   | Mounted vertically  |
|--------------------------|--|---|
| Max. ambient temperature |  |  |
| +55 °C                   | 55 W   | 60 W  |
| +40 °C                   | 70 W   | 75 W  |
| +25 °C                   | 80 W   | 85 W  |

Dimensions in mm



### Accessories (order separately)

| Product No. | Clamp set suitable for mast diameter of |
|-------------|---|
| 734360      | mm   in 34–60   1.34–2.36               |
| 734364      | mm   in 120–140   4.72–5.51             |
| 734365      | mm   in 45–125   1.77–4.92              |



# Hybrid Combiner (2-2)

78210527

698–2690 MHz | 2x150 W

- With 4.3-10 connectors
- Can be used for the decoupled combining of 2 transmitters onto a common antenna with frequency spacing as narrow as desired (3 dB loss)
- Can be used for the decoupled combining of 2 transmitters onto two antennas with frequency spacing as narrow as desired
- Can be used as a decoupled 2-way splitter
- Can be used as a frequency-independent 90° phase shifter (90° Hybrid)
- Suitable for indoor and outdoor applications
- DC/AISG by-pass
- External DC stop available as an accessory

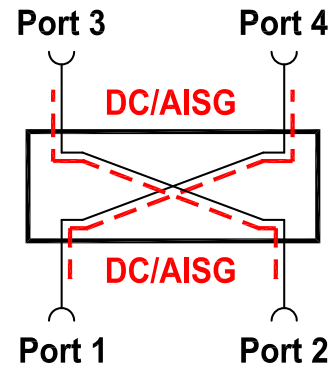


[ericsson.com/antenna-system](https://ericsson.com/antenna-system)



Scan or [click](#)





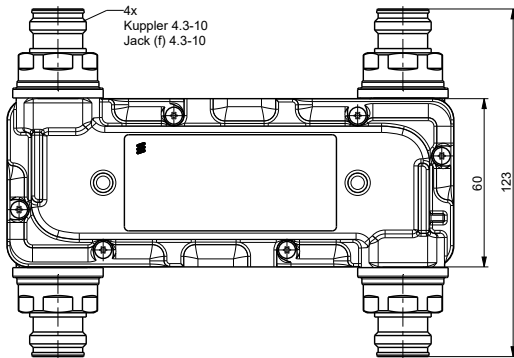
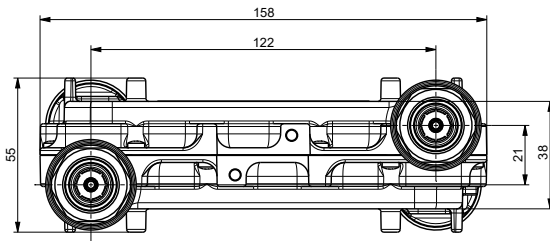
|                          |         |  |
|--------------------------|---------|--|
| Product No.              |         | 78210527   |
| Frequency range          | MHz     | 698 – 2690   |
| Attenuation              |         |  |
| Port 1 ↔ Port 3          | dB      | 3 ±0.5   |
| Port 1 ↔ Port 4          | dB      | 3 ±0.5   |
| Port 1 ↔ Port 2          | dB      | > 25   |
| Directivity              | dB      | > 23   |
| Return loss              | dB      | > 25   |
| Impedance                | Ω       | 50   |
| Input power              | W       | < 150 at each input port   |
| Intermodulation products | dBc     | < -160 (3 <sup>rd</sup> order; with 2 x 20 W)  |
| Temperature range        | °C   °F | -40 ... +70   -40 ... +158   |
| Connectors               |         | 4.3-10 female  |
| Application              |         | Indoor or outdoor (IP66)   |
| DC/AISG transparency     |         | By-pass between Port 1 ↔ Port 4 / Port 2 ↔ Port 3 (max. 2500 mA)<br>External DC stop available as an accessory |
| Weight                   | kg   lb | 0.7   1.5  |
| Dimensions (w x h x d)   | mm   in | 158 x 55 x 60   6.22 x 2.17 x 2.36 (without connectors)  |

## Note:

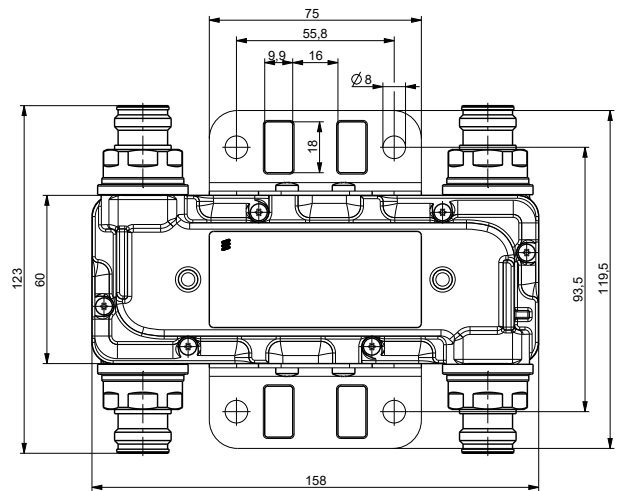
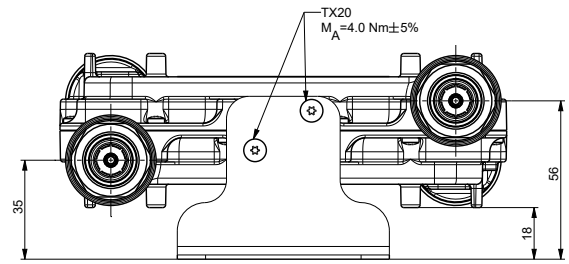
VSWR and attenuation values only valid if all ports are terminated with 50-Ohm-loads.

Dimensions in mm

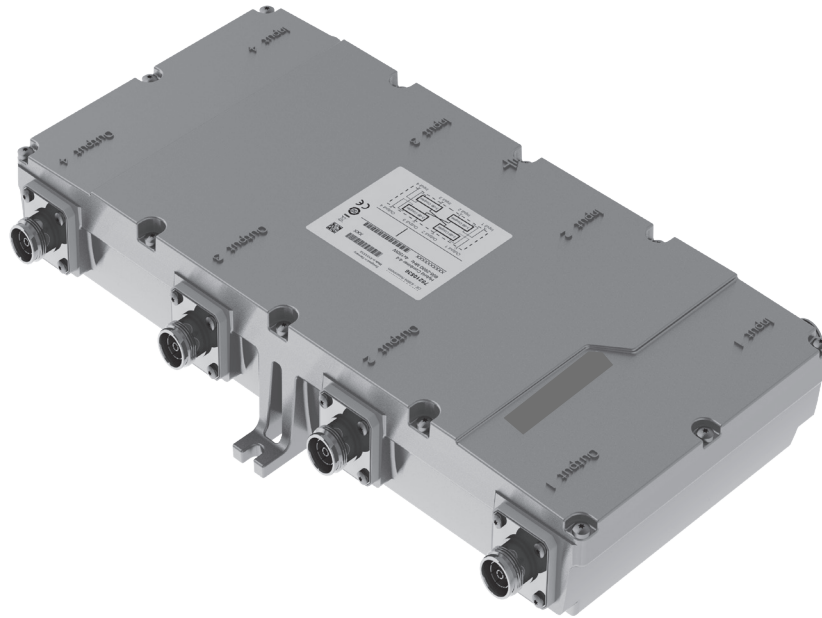
without mounting kit 78210526



including mounting kit 78210526

**Accessories (order separately)**

| Product No. | Description                           |
|-------------|---------------------------------------|
| 78211000    | DC stop                               |
| 78210473    | 50-Ohm load (80 W; 4.3-10 Connectors) |
| 78210484    | 50-Ohm load (2 W)                     |
| 78210526    | Mounting kit                          |



# Hybrid Combiner (4-4)

78210536

698–2690 MHz | 4x150 W

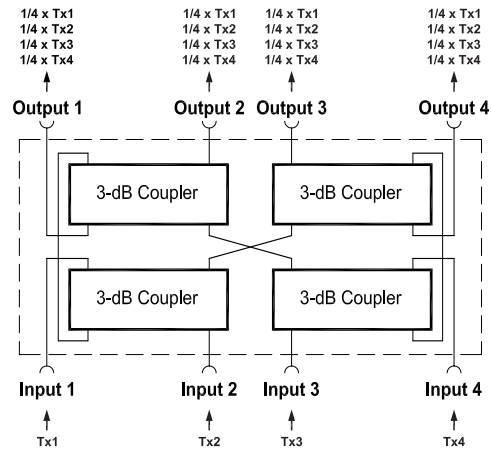
- Designed for the decoupled combining of 4 transmitter or receiver signals and distributing these signals equally onto 4 antenna outputs
- Suitable for indoor or outdoor applications
- DC/AISG bypass
- External DC stop available as an accessory



[ericsson.com/antenna-system](https://ericsson.com/antenna-system)



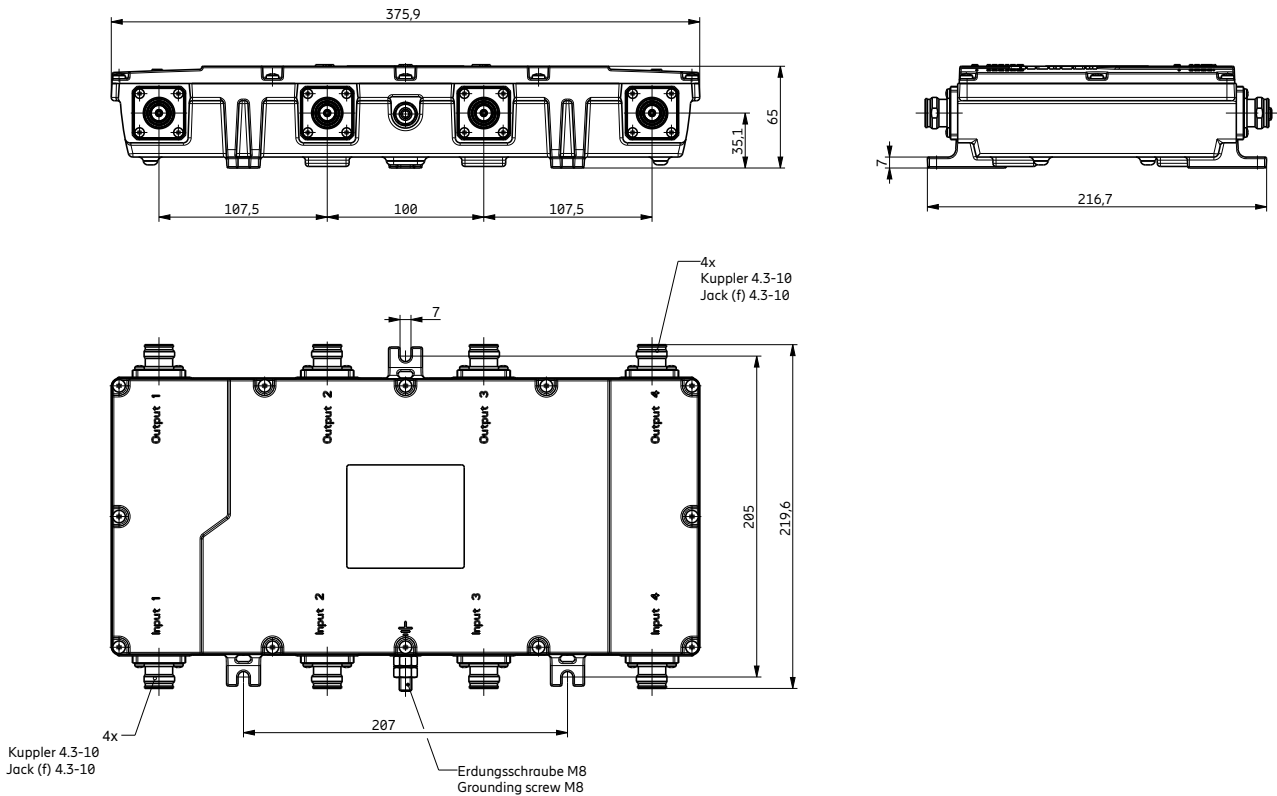
Scan or [click](#)



|   |   |   |                 |
|---|---|---|-----------------|
| Product No.   |   | 78210536  |                 |
| Frequency range   | MHz                                     | 698 – 2690  |                 |
| Insertion loss<br>Input 1...4 ↔ Output 1...4  | dB                                      | 0.35 ± 0.15   | } typically 6.3 |
| Power distribution loss<br>(excluding insertion loss)<br>Input 1...4 ↔ Output 1...4 | dB                                      | 6 ± 0.75  |                 |
| Isolation<br>Input 1...4 ↔ Input 1...4<br>Output 1...4 ↔ Output 1...4               | dB                                      | $> 20$ * (698 – 2170 MHz)<br>$> 19$ * (2170 – 2690 MHz), typically $> 20$   |                 |
| VSWR (all ports)  |   | $< 1.22$ (698 – 2170 MHz)<br>$< 1.4$ , typ. 1.2 (2170 – 2690 MHz)   |                 |
| Impedance   | $\Omega$                                | 50  |                 |
| Input power   | W                                       | $< 150$ at each input port  |                 |
| Intermodulation products  | dBc                                     | $< -160$ (3 <sup>rd</sup> order; with 2 x 20 W)   |                 |
| Temperature range   | $^{\circ}\text{C}$   $^{\circ}\text{F}$ | -40 ... +60   -40 ... +140  |                 |
| Connectors  |   | 4.3-10 female   |                 |
| Application   |   | Indoor or Outdoor (IP 66)   |                 |
| DC/AISG transparency  |   | Bypass (max. 2500 mA) between<br>Input 1 ↔ Output 4 / Input 2 ↔ Output 2 /<br>Input 3 ↔ Output 3 / Input 4 ↔ Output 1<br>External DC stop available as an accessory |                 |
| Mounting  |   | Wall mounting: With 4 screws<br>(max. 8 mm diameter)  |                 |
| Weight  | kg   lb                                 | 4.5   9.9   |                 |
| Dimensions (w x h x d)  | mm   in                                 | 376 x 65 x 224   14.8 x 2.6 x 8.8<br>(with connectors and mounting feet)  |                 |
| Packing size  | mm   in                                 | 453 x 125 x 273   17.8 x 4.9 x 10.7   |                 |

\* Valid if all ports are terminated with 50-Ohm loads

## Dimensions in mm



## Accessories (order separately)

| Product No. | Description                           |
|-------------|---------------------------------------|
| 78211000    | DC stop                               |
| 78210473    | 50-Ohm load (80 W; 4.3-10 connectors) |
| 78210484    | 50-Ohm load (2 W)                     |

Note: The use of fewer than 4 inputs or outputs is possible. Any unused input ports have to be terminated with low-power 50-Ohm loads (e.g. 78410484), unused output ports have to be terminated with highpower 50-Ohm loads (e.g. 78210473).

## RF Component

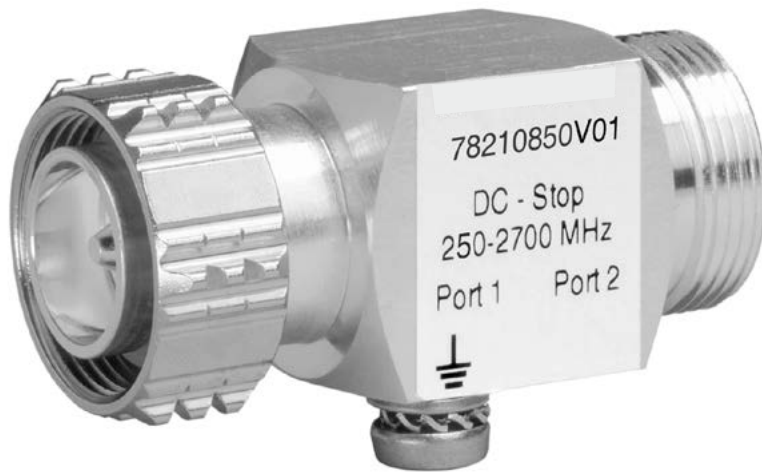
| Product No.                | Product Name   | Page                |
|----------------------------|--|---------------------|
| DC Stop                    |  |                     |
| 78210850V01                | DC Stop, 250-2700 MHz, 7-16                            | <a href="#">781</a> |
| 78211000                   | DC Stop, 250-3800 MHz, 4.3-10                          | <a href="#">783</a> |
| Smart Bias Tee / RIU / RMU |  |                     |
| 78211055                   | SBT, 617-2700 MHz, 8-32VDC, near BTS, 7-16             | <a href="#">785</a> |
| 78211056                   | SBT, 617-2700 MHz, 8-32VDC, near ANT, 7-16             | <a href="#">785</a> |
| 78211592                   | SBT, 617-2700 MHz, 8-32VDC, near BTS, 4.3-10           | <a href="#">789</a> |
| 78211593                   | SBT, 617-2700 MHz, 8-32VDC, near ANT, 4.3-10           | <a href="#">789</a> |
| KRC 115 032/6              | RIU, 617-2690 MHz, 10-32VDC, integrated cables, 4.3-10 | <a href="#">793</a> |
| KRC 115 032/7              | RIU, 617-2690 MHz, 10-32VDC, 4.3-10                    | <a href="#">793</a> |
| KRC 115 108/1              | RMU, 617-2690 MHz, 10-32VDC, integrated cables, 4.3-10 | <a href="#">795</a> |
| Splitter / Tapper          |  |                     |
| 86010131                   | 2-way Splitter, 380-3800 MHz, 7-16                     | <a href="#">797</a> |
| 86010101                   | 2-way Splitter, 694-3800 MHz, 7-16                     | <a href="#">799</a> |
| 86010103                   | 3-way Splitter, 694-3800 MHz, 7-16                     | <a href="#">799</a> |
| 86010105                   | 4-way Splitter, 694-3800 MHz, 7-16                     | <a href="#">799</a> |
| 86010136                   | 2-way Tapper, 694-2700 MHz, 7.0/1.0 dB, N              | <a href="#">801</a> |
| 86010137                   | 2-way Tapper, 694-2700 MHz, 10.4/0.4 dB, N             | <a href="#">801</a> |
| 86010138                   | 2-way Tapper, 694-2700 MHz, 15.1/0.1 dB, N             | <a href="#">801</a> |
| 86010150                   | 2-way Tapper, 694-2700 MHz, 7.0/1.0 dB, 7-16           | <a href="#">803</a> |
| 86010151                   | 2-way Tapper, 694-2700 MHz, 10.5/0.5 dB, 7-16          | <a href="#">803</a> |
| 86010152                   | 2-way Tapper, 694-2700 MHz, 15.3/0.3 dB, 7-16          | <a href="#">803</a> |
| 86020136                   | 2-way Tapper, 694-2700 MHz, 7.0/1.0 dB, 4.3-10         | <a href="#">805</a> |
| 86020137                   | 2-way Tapper, 694-2700 MHz, 10.4/0.4 dB, 4.3-10        | <a href="#">805</a> |
| 86020138                   | 2-way Tapper, 694-2700 MHz, 15.1/0.1 dB, 4.3-10        | <a href="#">805</a> |

# RF Component

| Product No. | Product Name                                 | Page                |
|-------------|--|---------------------|
| 50 Ohm Load |  |                     |
| 78410367    | 50 Ohm Load, 1.5 W, 0-4000 MHz, 7-16 male    | <a href="#">807</a> |
| 78210484    | 50 Ohm Load, 2 W, 0-6000 MHz, 4.3-10 male    | <a href="#">809</a> |
| 78211760    | 50 Ohm Load, 25 W, 690-5800 MHz, 4.3-10 male | <a href="#">811</a> |
| 78211761    | 50 Ohm Load, 25 W, 690-5800 MHz, 4.3-10      | <a href="#">811</a> |
| 78211762    | 50 Ohm Load, 50 W, 690-5800 MHz, 4.3-10 male | <a href="#">811</a> |
| 78211763    | 50 Ohm Load, 50 W, 690-5800 MHz, 4.3-10      | <a href="#">811</a> |
| 78210473    | 50 Ohm Load, 80 W, 380-3800 MHz, 4.3-10      | <a href="#">814</a> |
| 78210475    | 50 Ohm Load, 150 W, 380-5800 MHz, 7-16       | <a href="#">817</a> |







# DC Stop

78210850V01

250–2700 MHz

- Low RF signal insertion loss
- High DC signal isolation from port 1 to port 2 and vice versa
- Isolation of AISG signals
- Suitable for indoor or outdoor applications

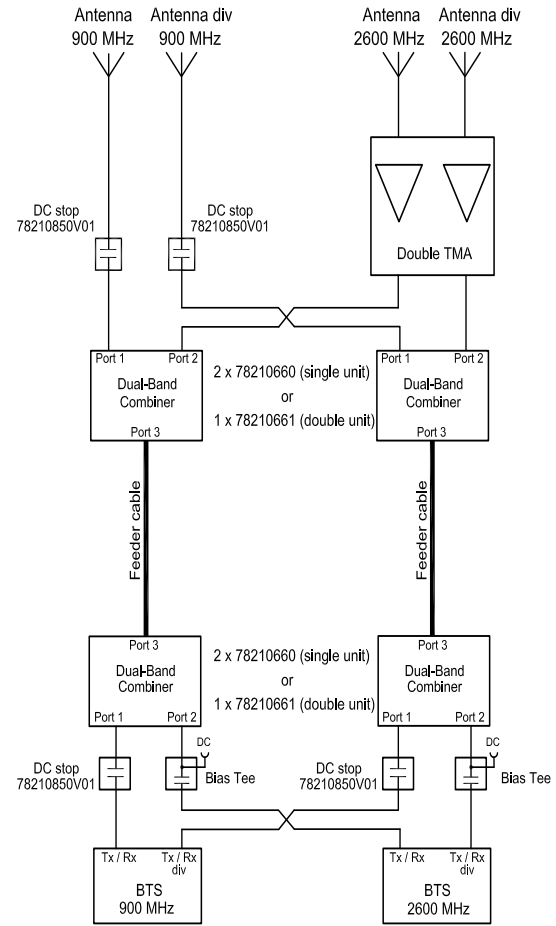
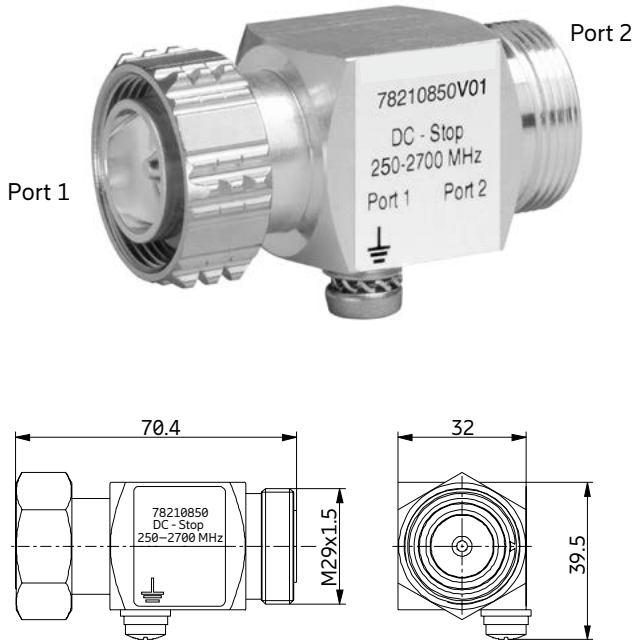


[ericsson.com/antenna-system](https://ericsson.com/antenna-system)



Scan or [click](#)

DC Stop is used in dual- or multi-band antenna systems where one or more antenna systems require a DC supply for an installed mast head amplifier. The DC Stop prevents DC voltage from being shorted within the non-biased antenna system(s) and isolates the corresponding base station output(s) from DC voltage.



|                                   |   |
|-----------------------------------|---|
| Product No.                       | <b>78210850V01</b>  |
| Frequency range                   | 250 – 2700 MHz  |
| Insertion loss<br>Port 1 ↔ Port 2 | < 0.1 dB (250 – 2700 MHz)   |
| Isolation<br>Port 1 ↔ Port 2      | DC Stop<br>> 23 dB (AISG 2.176 MHz)   |
| VSWR                              | < 1.5 (250 – 380 MHz)<br>< 1.25 (380 – 690 MHz)<br>< 1.1 (690 – 2700 MHz)               |
| Impedance                         | 50 Ω  |
| Input power                       | < 750 W (250 - 2700 MHz)  |
| Intermodulation products          | < -160 dBc (3 <sup>rd</sup> order; with 2 x 20 W)                                       |
| Temperature range                 | -40 ... +70 °C  |
| Connectors<br>Port 1<br>Port 2    | 7-16 male<br>7-16 female  |
| Application                       | Indoor or outdoor (IP 67)   |
| Weight                            | 0.32 kg   |
| Dimensions (w x h x d)            | 70.4 mm x 39.5 mm x 32 mm<br>(including connectors and earthing screw of 6 mm diameter) |



# DC Stop

78211000

250–3800 MHz

- Low RF signal insertion loss
- High DC signal isolation from port 1 to port 2 and vice versa
- Isolation of AISG signals
- Suitable for indoor or outdoor applications

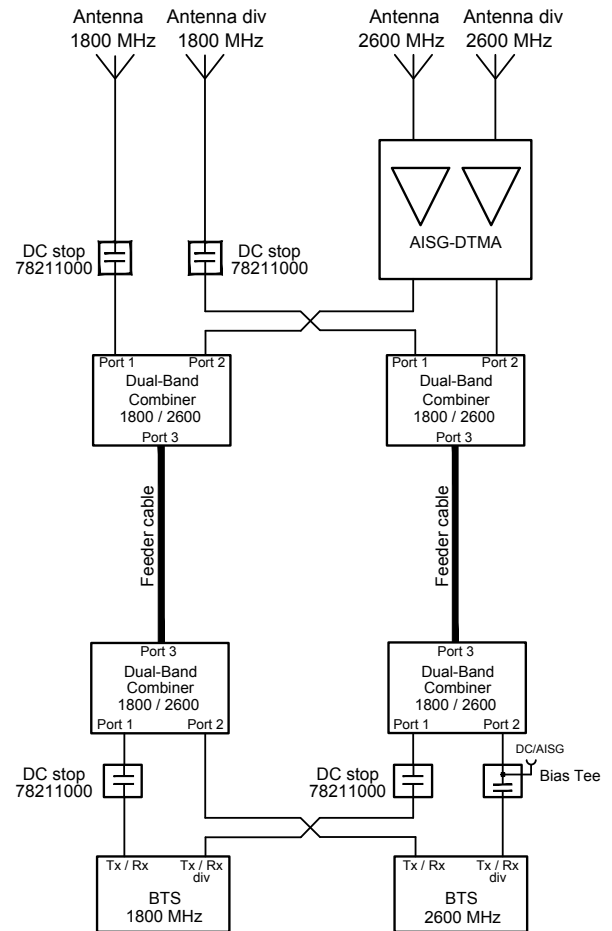


[ericsson.com/antenna-system](https://ericsson.com/antenna-system)

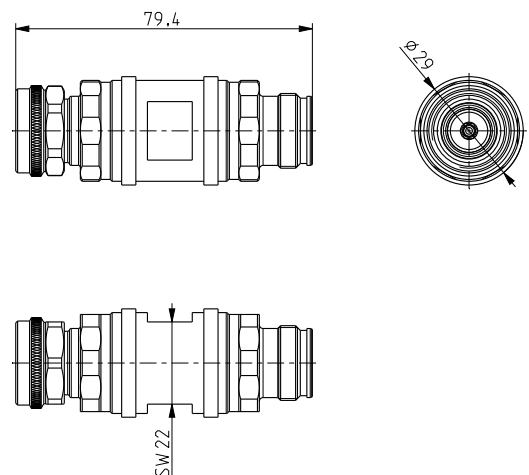


Scan or [click](#)

DC Stop is used in dual- or multi-band antenna systems where one or more antenna systems require a DC supply for an installed mast head amplifier. The DC Stop prevents DC voltage from being shorted within the non-biased antenna system(s) and isolates the corresponding base station output(s) from DC voltage.



|                                   |               |  |
|-----------------------------------|---------------|--|
| Product No.                       |               | 78211000   |
| Frequency range                   | MHz           | 250 - 3800   |
| Insertion loss<br>Port 1 ↔ Port 2 | dB            | < 0.1  |
| Isolation<br>Port 1 ↔ Port 2      | dB            | DC Stop<br>> 23 (AISG 2.176 MHz)   |
| VSWR                              |               | < 1.5 (250 - 380 MHz)<br>< 1.25 (380 - 575 MHz)<br>< 1.1 (575 - 3700 MHz)<br>< 1.2 (3700 - 3800 MHz) |
| Impedance                         | Ω             | 50   |
| Input power                       | W             | < 500 (250 - 2700 MHz)   |
|                                   | W             | < 300 (2700 - 3800 MHz)  |
| Intermodulation products          | dBc           | < -160 (3 <sup>rd</sup> order; with 2 x 20 W)  |
| Temperature range                 | dBc   °C   °F | -40 ... +70   -40 ... +158   |
| Connectors<br>Port 1<br>Port 2    |               | 4.3-10 male<br>4.3-10 female   |
| Application                       |               | Indoor or outdoor (IP 67)  |
| Weight                            | kg   lb       | 0.2   0.44   |
| Dimensions (w x Ø)                | mm   in       | 79.4 x 29   3.13 x 1.14<br>(including connectors)  |





78211055



78211056

# Smart Bias Tee

78211055, 78211056

617–2700 MHz | 8-32VDC

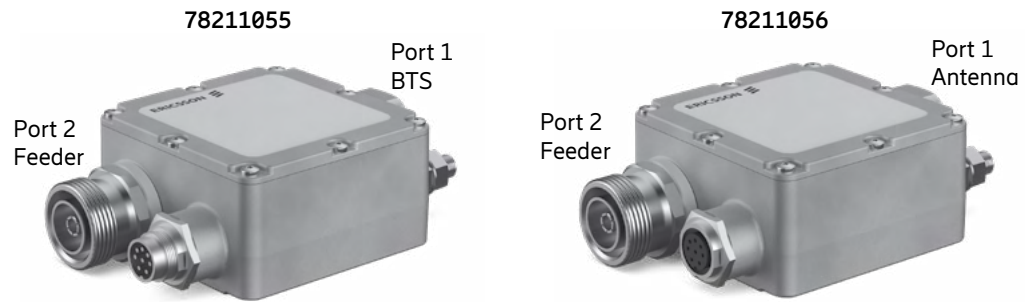
- 7-16 connectors
- combines the performance of a standard Bias Tee with the function of an additional modem (AISG standard) in order to provide either DC voltage as well as remote control signals via an RF feeder cable to a TMA or RCU
- provides low RF signal insertion loss from port 1 to port 2 and vice versa
- protection against static discharge and lightning ensures a high level of reliability and operational safety



[ericsson.com/antenna-system](https://ericsson.com/antenna-system)



Scan or [click](#)

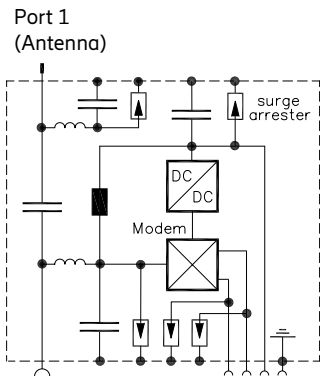


| Product No.   |         | 78211055<br>+8 ... +32 VDC / BTS  | 78211056<br>+8 ... +32 VDC / Antenna   |
|---|---------|---|--|
|   |         | +8 ... 32 VDC (DC on pin6) version for <b>use near the BTS</b> , in order to feed-in DC voltage and RCU control signals into a feeder cable | +8 ... 32 VDC (DC on pin6) version for <b>use near the antenna</b> , in order to control an RCU (only required if <b>no TMA</b> is in use) |
| Port 1: 7-16 male                                   |         | BTS   | Antenna  |
| Port 2: 7-16 female                                 |         | Feeder  | Feeder   |
| Frequency range                                     | MHz     | 617 – 2700  |  |
| Insertion loss<br>Port 1 ↔ Port 2                   | dB      | < 0.1 (617 – 2700 MHz)  |  |
| Isolation for DC and RCU signals<br>Port 1 ↔ Port 2 | dB      | > 70  |  |
| Port 1 ↔ Port DC/RCU                                | dB      | > 70  |  |
| Port 2 ↔ Port DC/RCU                                | dB      | > 0   |  |
| VSWR  |         | < 1.1 (617 – 2700 MHz)  |  |
| Impedance   | Ω       | 50  |  |
| Input power<br>Port 1 or Port 2                     | W       | < 750 (617 – 2700 MHz)  |  |
| Port DC/RCU   |         | < 2.5 A / +8 ... +32 VDC  |  |
| Power consumption                                   | W       | Typically 0.6 W   |  |
| Lightning protection                                | kA      | 3, 10/350 μs pulse  |  |
| Intermodulation products                            | dBc     | < -160 (3 <sup>rd</sup> order; with 2 x 20 W)   |  |
| Temperature range                                   | °C   °F | -40 ... +60   -40 ... +140  |  |
| Modem carrier frequency                             | MHz     | 2.176   |  |
| Application   |         | Indoor or outdoor (IP 66)   |  |
| Weight  | kg   lb | 0.8   1.8   |  |
| Dimensions (w x h x d)                              | mm   in | 81 x 81 x 46   3.2 x 3.2 x 1.8 (without connectors)   |  |
| Packing size (w x h x d)                            | mm   in | 167 x 102 x 86   6.6 x 4.0 x 3.4  |  |

## Abbreviations:

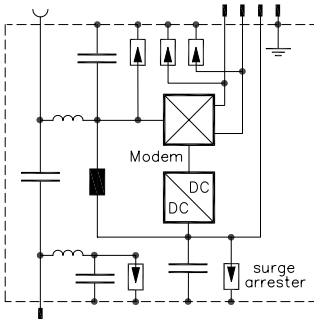
|                    |   |
|--------------------|---|
| <b>RCU</b>         | = Remote Control Unit for remote electrical control of antenna tilt |
| <b>BTS</b>         | = Base Transceiver Station  |
| <b>TMA</b>         | = Tower Mounted Amplifier   |
| <b>AISG</b>        | = Antenna Interface Standards Group                                 |
| <b>Port 1</b>      | = Port for BTS or for Antenna                                       |
| <b>Port 2</b>      | = Port for Feeder Cable   |
| <b>Port DC/RCU</b> | = Port for DC voltage and Remote Control Unit signals               |

Block diagrams:



Port 2 (Feeder)      Port DC/RCU (RCU)

Port 2 (Feeder)      Port DC/RCU (CCU)

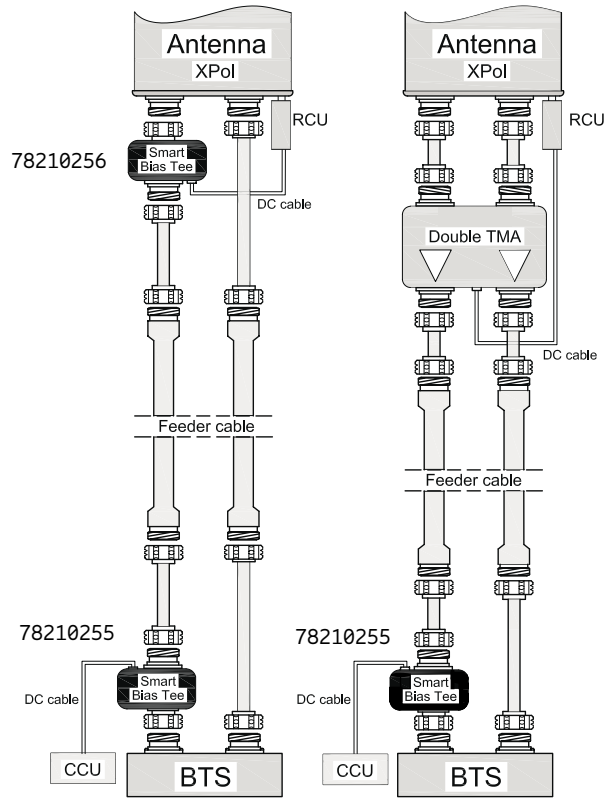


Port 1 (BTS)

Pin connections:

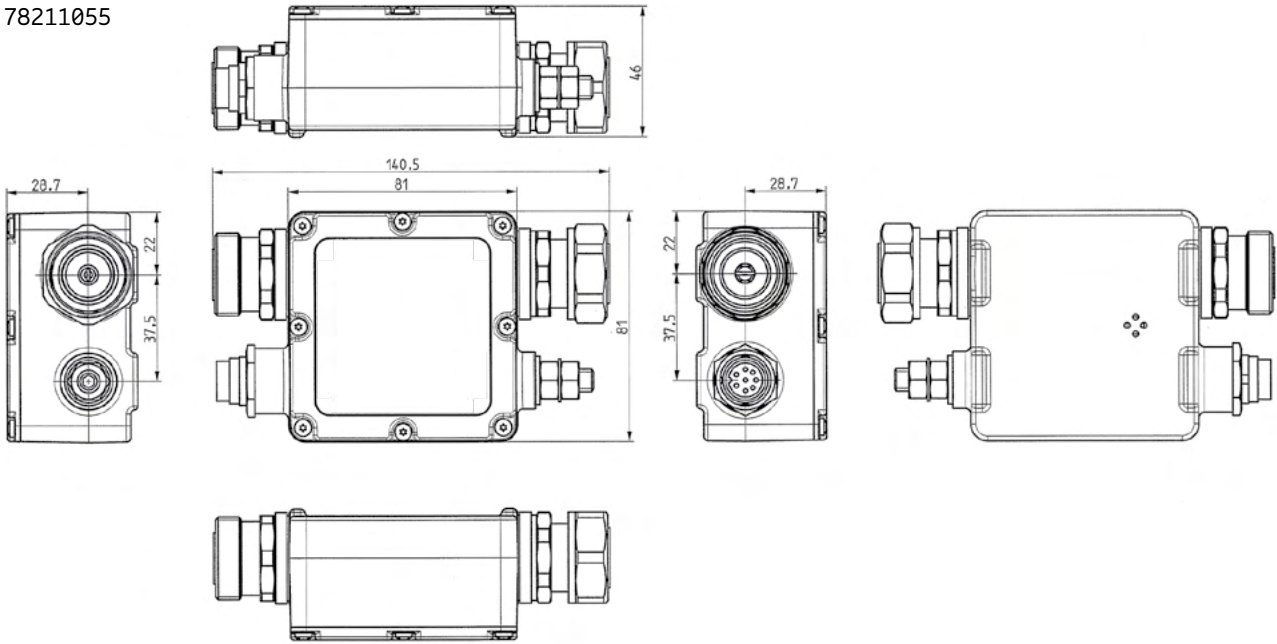
|                               | 78211055             | 78211056             |
|-------------------------------|----------------------|----------------------|
| 8-pin connector (IEC 60130-9) |                      |                      |
|                               | male                 | female               |
| Pin 1                         | Not connected        | Not connected        |
| Pin 2                         | Not connected        | Not connected        |
| Pin 3                         | RS485-B              | RS485-B              |
| Pin 4                         | Not connected        | Not connected        |
| Pin 5                         | RS485-A              | RS485-A              |
| Pin 6                         | +8...+32 VDC in      | +8...+32 VDC out     |
| Pin 7                         | DC return (grounded) | DC return (grounded) |
| Pin 8                         | Not connected        | Not connected        |

Application Examples:

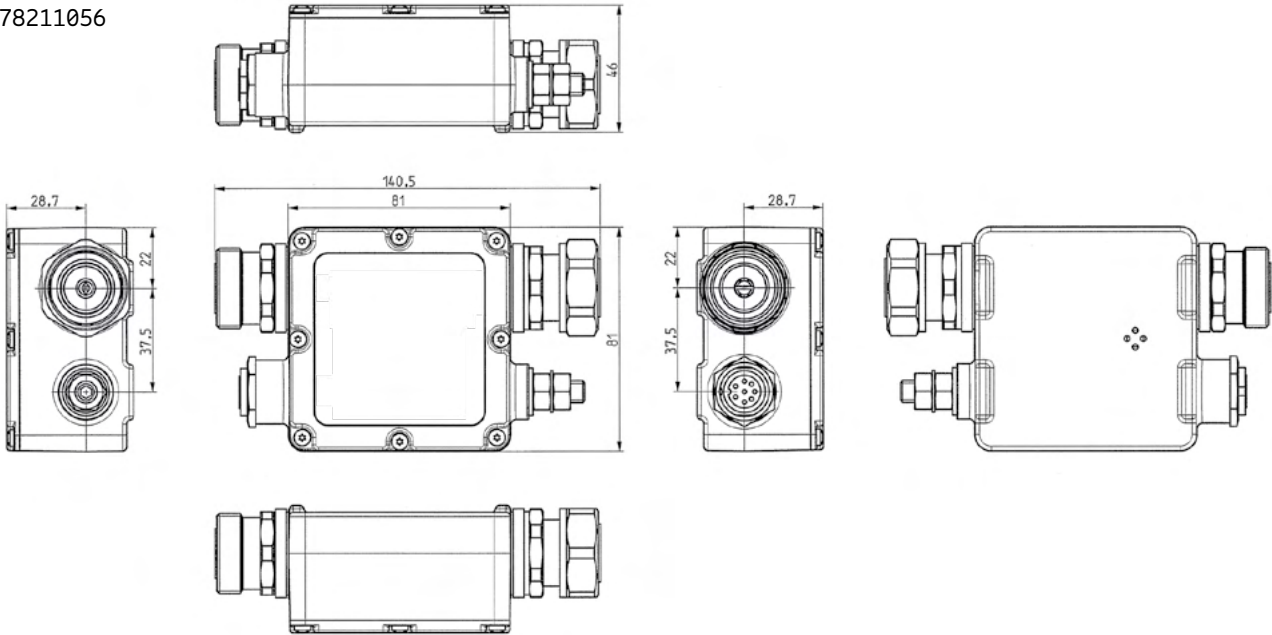


## Dimensions in mm

78211055



78211056

**Please note:**

The Smart Bias Tees are designed to operate under the environmental conditions as described in ETS 300 019-1-4 class 4.1 E and have passed environmental tests as recommended in ETS 300 019-2-4.

The installation team must be properly qualified and also be familiar with the relevant national safety regulations.

The coupling torque at 7-16 connectors is 25 – 30 Nm!

Hold the smart bias tee housing securely while tightening the 7-16 locking nut.

The tightening torque for fixing the AISG connector must be 0.5 – 1.0 Nm ('hand-tightened').





78211592



78211593

# Smart Bias Tee

78211592, 78211593

617–2700 MHz | 8-32VDC

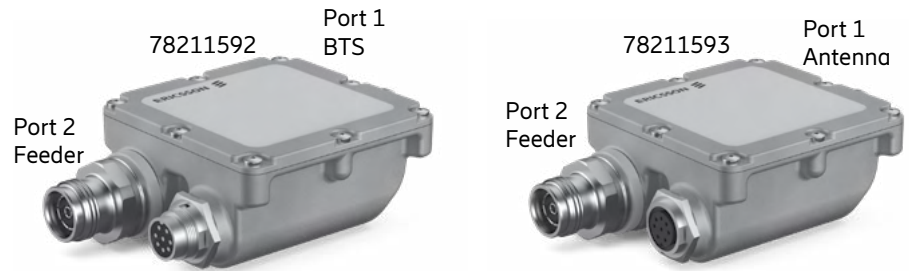
- 4.3-10 connectors
- combines the performance of a standard Bias Tee with the function of an additional modem (AISG standard) in order to provide either DC voltage as well as remote control signals via an RF feeder cable to a TMA or RCU
- provides low RF signal insertion loss from port 1 to port 2 and vice versa.
- protection against static discharge and lightning ensures a high level of reliability and operational safety



[ericsson.com/antenna-system](https://ericsson.com/antenna-system)



Scan or [click](#)

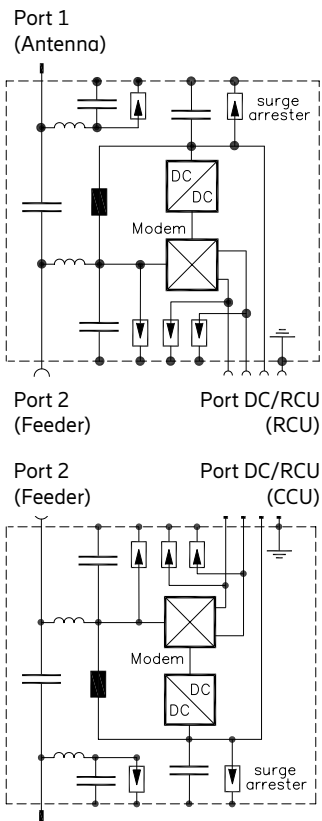


| Product No.   | 78211592<br>+8 ... +32 VDC / BTS  | 78211593<br>+8 ... +32 VDC / Antenna   |
|---|---|--|
|   | +8 ... 32 VDC (DC on pin6) version for <b>use near the BTS</b> , in order to feed-in DC voltage and RCU control signals into a feeder cable | +8 ... 32 VDC (DC on pin6) version for <b>use near the antenna</b> , in order to control an RCU (only required if <b>no TMA</b> is in use) |
| Port 1: 4.3-10 male   | BTS   | Antenna  |
| Port 2: 4.3-10 female   | Feeder  | Feeder   |
| Frequency range   | MHz   | 617 – 2700   |
| Insertion loss<br>Port 1 ↔ Port 2   | dB  | < 0.1 (617 – 2700 MHz)   |
| Isolation for DC and RCU signals<br>Port 1 ↔ Port 2<br>Port 1 ↔ Port DC/RCU<br>Port 2 ↔ Port DC/RCU | dB<br>dB<br>dB  | > 70 (DC), > 30 dB 2.176 MHz (AISG signal)<br>> 70<br>> 0  |
| VSWR  |   | < 1.2 (617 – 690 MHz), < 1.1 (690 – 2700 MHz)  |
| Impedance   | Ω   | 50   |
| Input power<br>Port 1 or Port 2<br>Port DC/RCU  | W   | < 500 (617 – 2700 MHz)<br>< 2.5 A / +8 ... +32 VDC   |
| Power consumption   | W   | Typically 0.6  |
| Lightning protection  | kA  | 3, 10/350 μs pulse   |
| Intermodulation products  | dBc   | < -160 (3 <sup>rd</sup> order; with 2 x 20 W)  |
| Temperature range   | °C   °F   | -40 ... +60   -40 ... +140   |
| Modem carrier frequency   | MHz   | 2.176  |
| Application   |   | Indoor or outdoor (IP 66)  |
| Weight  | kg   lb   | 0.4   1.0  |
| Dimensions (w x h x d)  | mm   in   | 81 x 81 x 42   3.2 x 3.2 x 1.6   |
| Packing size (w x h x d)  | mm   in   | 167 x 102 x 86   6.6 x 4.0 x 3.4   |

## Abbreviations:

|                    |   |
|--------------------|---|
| <b>RCU</b>         | = Remote Control Unit for remote electrical control of antenna tilt |
| <b>BTS</b>         | = Base Transceiver Station  |
| <b>TMA</b>         | = Tower Mounted Amplifier   |
| <b>AISG</b>        | = Antenna Interface Standards Group                                 |
| <b>Port 1</b>      | = Port for BTS or for Antenna                                       |
| <b>Port 2</b>      | = Port for Feeder Cable   |
| <b>Port DC/RCU</b> | = Port for DC voltage and Remote Control Unit signals               |

Block diagrams:

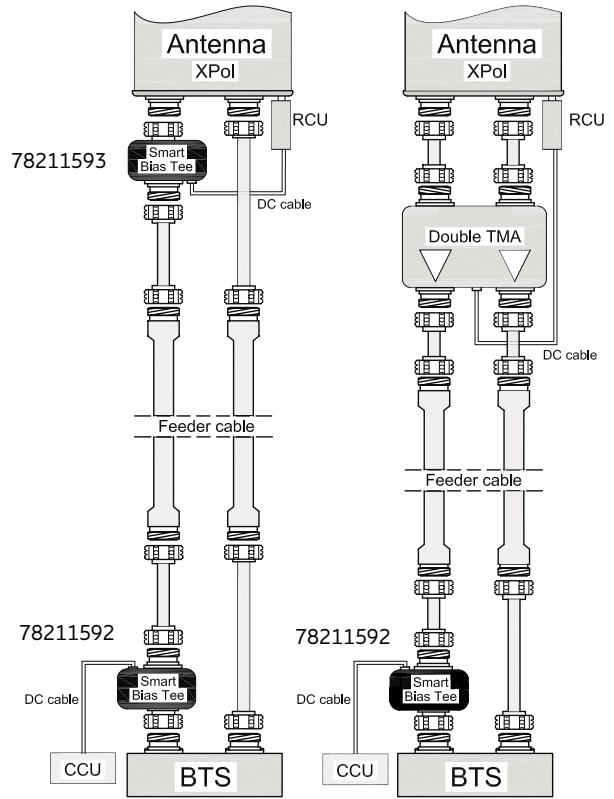


Port 1 (BTS)

Pin connections:

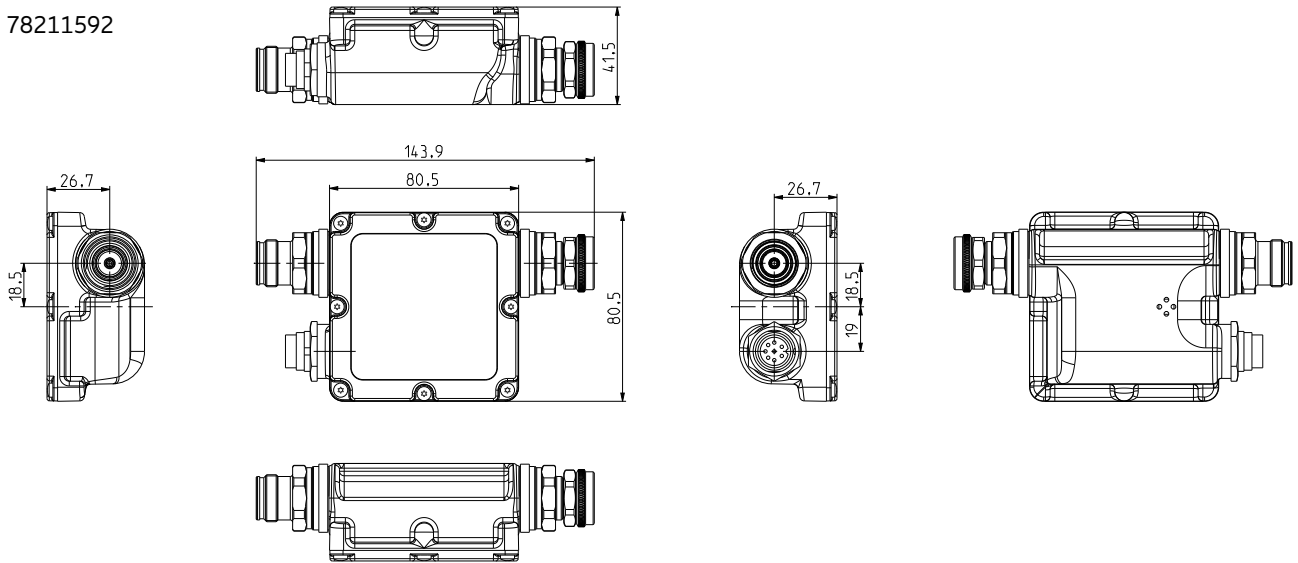
|                               | 78211592             | 78211593             |
|-------------------------------|----------------------|----------------------|
| 8-pin connector (IEC 60130-9) |                      |                      |
|                               | male                 | female               |
| Pin 1                         | Not connected        | Not connected        |
| Pin 2                         | Not connected        | Not connected        |
| Pin 3                         | RS485-B              | RS485-B              |
| Pin 4                         | Not connected        | Not connected        |
| Pin 5                         | RS485-A              | RS485-A              |
| Pin 6                         | +8...+32 VDC in      | +8...+32 VDC out     |
| Pin 7                         | DC return (grounded) | DC return (grounded) |
| Pin 8                         | Not connected        | Not connected        |

Application Examples:

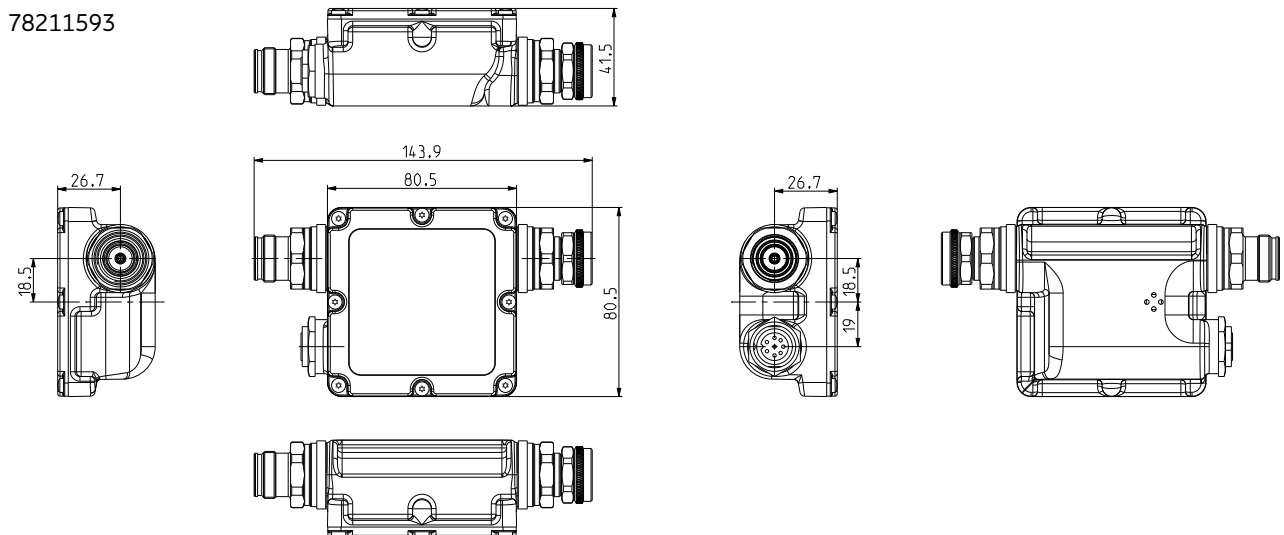


## Dimensions in mm

## 78211592



## 78211593

**Please note:**

The Smart Bias Tees are designed to operate under the environmental conditions as described in ETS 300 019-1-4 class 4.1 E and have passed environmental tests as recommended in ETS 300 019-2-4.

The installation team must be properly qualified and also be familiar with the relevant national safety regulations.

The coupling torque at 4.3-10 connectors is 5 – 8 Nm!

Hold the smart bias tee housing securely while tightening the 4.3-10 locking nut.

The tightening torque for fixing the AISG connector must be 0.5 – 1.0 Nm ('hand-tightened')

No lateral pressure may be placed on the Smart Bias Tee when mounting directly on an antenna.



KRC 115 032/6



KRC 115 032/7

# RET Interface Unit - Smart Bias Tee

KRC 115 032/6, KRC 115 032/7

617–2690 MHz | 10-32VDC

- Frequency range: 617 MHz to 2690 MHz
- Some variants include 0.3 m jumper cable and 0.55 m RET cable
- Support for 3GPP / AISG 2.0
- Low insertion loss
- IP67
- Temperature range: -40 to +55 °C
- Power consumption < 1.5 W
- Weight: 0.9 kg, or 1.0 kg including cables
- Wall mounting brackets and pole clamps are included



[ericsson.com/antenna-system](https://ericsson.com/antenna-system)



Scan or [click](#)

**Technical Specifications**

| Product Name                                    |      | RIU 4.3-10<br>Integrated Cables   | RIU 4.3-10                                 |
|---|------|---|--|
| Product No.                                     |      | KRC 115 032/6   | KRC 115 032/7                              |
| <b>Radio Performance</b>                        |      |   |  |
| Frequency Range                                 | MHz  | 617 – 2690  | 617 – 2690                                 |
| Insertion loss                                  | dB   | < 0.1<br>+ 0.15 cable loss  | < 0.1                                      |
| Return loss                                     | dB   | > 21*   | > 21*                                      |
| IM3 (2 x 43 dBm)                                | dBm  | < -118*   | < -118*                                    |
| Power handling (average)                        | W    | 600   | 600  |
| <b>Electrical Specifications **</b>             |      |   |  |
| Input voltage                                   | V DC | 10 to 32  |  |
| Power consumption                               | W    | < 1.5   |  |
| <b>Mechanical Specifications (Coupler Unit)</b> |      |   |  |
| Dimensions (H x W x D)                          | mm   | 95 x 82 x 38  | 95 x 82 x 38                               |
| Weight  | kg   | 1.0<br>(including cables)   | 0.9  |
| Color   |      | White<br>(NCS S 1002-B),<br>textured  | White<br>(NCS S 1002-B),<br>textured       |
| Mounting options                                |      | Wall or pole  | Wall or pole                               |
| <b>Connectors</b>                               |      |   |  |
| • ANT   |      | Jumper cable<br>with 4.3-10 (m)   | 4.3-10 (f)                                 |
| • RBS   |      | 4.3-10 (f)  | 4.3-10 (f)                                 |
| • ALD   |      | RET cable<br>with 8-pin (f)<br>IEC 60130-9  | RET cable<br>with 8-pin (f)<br>IEC 60130-9 |
| <b>Environmental Specifications **</b>          |      |   |  |
| Temperature range, full performance             | °C   | -40 to +55  |  |
| MTBF  |      | > 100 years   |  |
| IP class  |      | IP67  |  |
| Lightning protection                            |      | 5 kA 10/350 µs, 20 kA 8/20 µs (Common mode)   |  |
| Product safety                                  |      | International (CB): IEC 62368-1<br>Europe (CE): EN 62368-1<br>North America (ETC): CSA/UL 62368-1 |  |

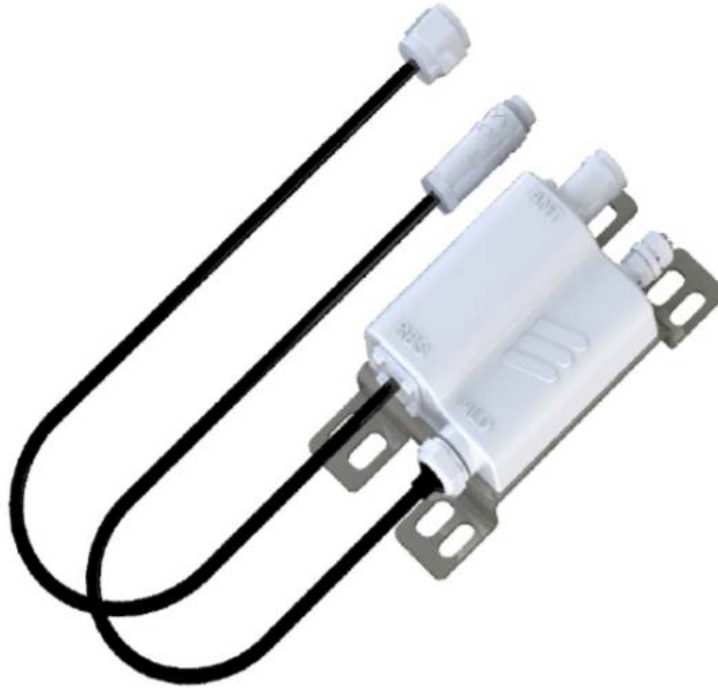
\* Typical values

\*\* Common values for all variants

The RET Interface Unit (RIU) is needed for RET control when AISG signaling + DC is fed through the feeder system. The RIU converts the modulated signals from the feeder to a RS-485 signal, and vice versa. The RS-485 can handle external RET devices and potentially other AISG devices.

**System Integration**

This Ericsson product has been system verified together with Ericsson RBSs and Ericsson Antenna Line Devices to ensure high system performance. Power, AISG control, and supervision has also been verified.



# Radio Modem Unit - Smart Bias Tee

KRC 115 108/1

617–2690 MHz | 10-32VDC integrated cables

- Frequency range: 617 MHz to 2690 MHz
- Includes 0.55 m jumper cable and 0.55 m ALD cable
- Support for 3GPP / AISG 2.0
- Low insertion loss
- IP67
- Temperature range: -40 to +55 °C
- Power consumption < 1.5 W
- Weight: 1.0 kg including cables
- Wall mounting brackets and pole clamps are included



[ericsson.com/antenna-system](https://ericsson.com/antenna-system)



Scan or [click](#)

| Technical Specifications                 |  |                        |
|--|--|------------------------|
| Product Name                             | RMU 4.3-10 Integrated Cables   |                        |
| Product No.                              | KRC 115 108/1  |                        |
| Radio Performance                        |  |                        |
| Frequency range                          | MHz  | 617 – 2690             |
| Insertion loss                           | dB   | < 0.1 + 0.2 cable loss |
| Return loss                              | dB   | > 21*                  |
| IM3 (2 x 43 dBm)                         | dBm  | < -118*                |
| Electrical Specifications                |  |                        |
| Input voltage                            | V DC   | 10 to 32               |
| Power consumption                        | W  | < 1.5                  |
| Mechanical Specifications (Coupler Unit) |  |                        |
| Dimensions (H x W x D)                   | mm   | 95 x 82 x 38           |
| Weight                                   | kg   | 1.0 (including cables) |
| Color                                    | White (NCS S 1002-B), textured   |                        |
| Mounting options                         | Wall or pole   |                        |
| Connectors                               | ANT: 4.3-10 (f) RBS: jumper cable with 4.3-10 (m)<br>ALD: ALD cable with 8-pin (m) IEC 60130-9   |                        |
| Environmental Specifications             |  |                        |
| Temperature range, full performance      | °C   | -40 to +55             |
| MTBF                                     | > 100 years  |                        |
| IP class                                 | IP67   |                        |
| Lightning protection                     | 5 kA 10/350 μs, 20 kA 8/20 μs (Common mode)  |                        |
| Product safety                           | International (CB): IEC 60950-1, IEC 60950-22<br>Europe (CE): EN 60950-1, EN 60950-22<br>North America (ETL): UL 60950-1, UL 60950-22, CSA-C22.2 No.60950-1, CSA-C22.2 No.60950-22 |                        |

\* Typical values

The Ericsson Radio Modem Unit (RMU) with 4.3-10 connectors has integrated jumper and ALD cable which makes it easy to install.

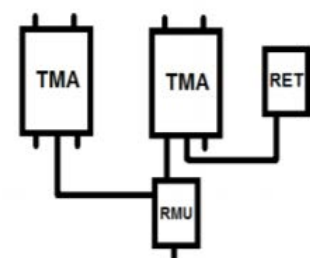
The RMU is used for superimposing AISG signals + DC onto the RF feeder line from an RS-485 interface when the radio (for example Radio 2219) does not support AISG + DC on the RF ports.

There are three main scenarios when the RMU is needed when used together with radios that have a separate RS-485 port for antenna system control:

- Antennas with integrated RET and Bias-T
  - TMAs
  - Distance between radio and antenna RET connector is >15m
- An additional scenario is to support TMA cascading.

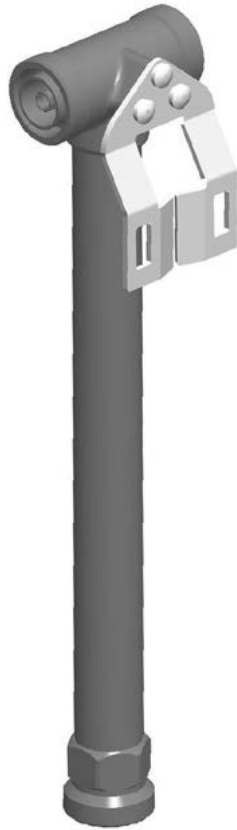
#### System Integration

This Ericsson product has been system verified together with Ericsson RBSs and Ericsson Antenna Line Devices to ensure high system performance. Power, AISG control, and supervision has also been verified.



TMA cascading





# Splitter

86010131

380–3800 MHz



[ericsson.com/antenna-system](https://ericsson.com/antenna-system)



Scan or [click](#)

**For indoor and outdoor use.****2-way Splitter 380–3800**

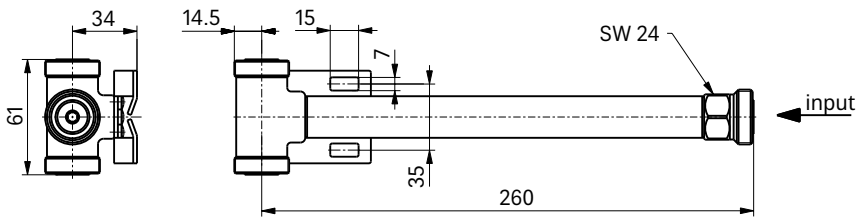
|   |         |                                  |
|---|---------|----------------------------------|
| Product No.                               |         | 86010131                         |
| Connector                                 |         | 7-16 female                      |
| Max. power (at 50 °C ambient temperature) | W       | 700                              |
| For connecting ... antennas               |         | 2                                |
| Frequency range                           | MHz     | 380 – 3800                       |
| VSWR                                      |         | < 1.5                            |
| Intermodulation IM3                       | dBc     | < -150 (2 x 43 dBm carrier)      |
| Impedance                                 |         | 50                               |
| Insertion loss                            |         | < 0.05                           |
| Weight                                    | g   lb  | 0.870   1.9                      |
| Packing size                              | mm   in | 300 x 75 x 75   11.8 x 3.0 x 3.0 |

Material: Brass. Surface treatment: CuSnZn3

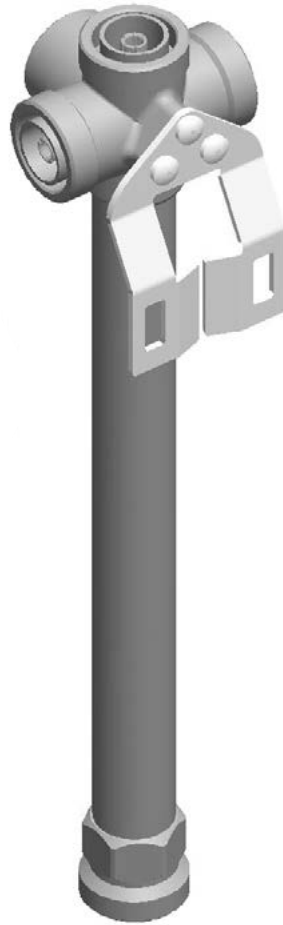
Mounting: Bracket for wall mounting included in the scope of supply.  
For pipe mast mounting use clamps listed below (order separately).

DC capability: DC transmission between all terminations (suitable for remote power supply systems).

Environmental conditions: ETS 300 019-1-4 class 4.1 E  
 • Low temperature: -55 °C  
 • High temperature (dry): +60 °C IP 65

**Accessories (order separately)**

| Product No. |         | Clamp set suitable for mast diameter of |
|-------------|---------|---|
| 734360      | mm   in | 34–60   1.34–2.36                       |
| 734364      | mm   in | 120–140   4.72–5.51                     |
| 734365      | mm   in | 45–125   1.77–4.92                      |



# Splitter

86010101, 86010103, 86010105

694–3800 MHz



[ericsson.com/antenna-system](https://ericsson.com/antenna-system)

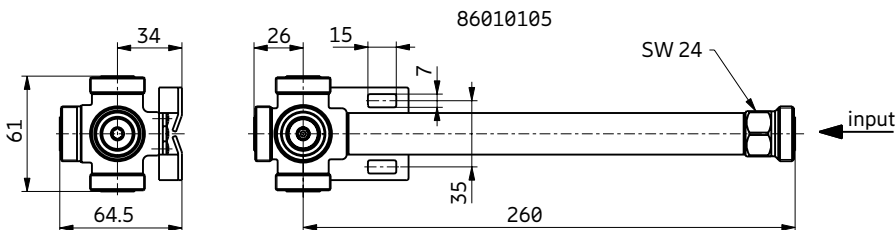


Scan or [click](#)

**For indoor and outdoor use.****2-way Splitter 694–3800****3-way Splitter 694–3800****4-way Splitter 694–3800**

| Product No.                               |          | 86010101  | 86010103  | 86010105  |
|---|----------|---|-----------|-----------|
| Connector (female)                        |          | 7-16  | 7-16      | 7-16      |
| Max. power (at 50 °C ambient temperature) | W        | 700   | 700       | 700       |
| For connecting ... antennas               |          | 2   | 3         | 4         |
| Frequency range                           | MHz      | 694 – 3800                                      |           |           |
| VSWR                                      |          | 694 – 894 MHz: < 1.32<br>790 – 3800 MHz: < 1.15 |           |           |
| Intermodulation IM3                       | dBc      | < -150 (2 x 43 dBm carrier)                     |           |           |
| Impedance                                 | $\Omega$ | 50  |           |           |
| Insertion loss                            | dB       | < 0.05  |           |           |
| Weight                                    | g   lb   | 870   1.9                                       | 900   2.0 | 960   2.1 |
| Packing size                              | mm   in  | 300 x 75 x 75   11.8 x 3.0 x 3.0                |           |           |

|                           |  |
|---------------------------|--|
| Material:                 | Brass. Surface treatment: CuSnZn3  |
| Mounting:                 | Bracket for wall mounting included in the scope of supply.<br>For pipe mast mounting use clamps listed below (order separately). |
| DC capability:            | DC transmission between all terminations (suitable for remote power supply systems).   |
| Environmental conditions: | ETS 300 019-1-4 class 4.1 E<br>– Low temperature: -55 °C<br>– High temperature (dry): +60 °C<br>IP 65                            |

**Accessories (order separately)**

| Product No. |         | Clamp set suitable for mast diameter of |
|-------------|---------|---|
| 734360      | mm   in | 34–60   1.34–2.36                       |
| 734364      | mm   in | 120–140   4.72–5.51                     |
| 734365      | mm   in | 45–125   1.77–4.92                      |



# Tapper

86010136, 86010137, 86010138

694–2700 MHz



[ericsson.com/antenna-system](https://ericsson.com/antenna-system)



Scan or [click](#)

**For indoor use.**

2-way Tapper 694–2700 7.0/1.0dB  
 2-way Tapper 694–2700 10.4/0.4dB  
 2-way Tapper 694–2700 15.1/0.1dB

| Product No.                            |              | 86010136  | 86010137 | 86010138 |
|--|--------------|---|----------|----------|
| Frequency range                        | MHz          | 694 – 2700 MHz  |          |          |
| Tap Loss                               |              |   |          |          |
| Input $\leftrightarrow$ P <sub>1</sub> | dB           | -1.0  | -0.4     | -0.1     |
| Input $\leftrightarrow$ P <sub>2</sub> |              | -7.0  | -10.4    | -15.1    |
| For connecting ... antennas            |              | 2   |          |          |
| Insertion loss                         | dB           | < 0.05  |          |          |
| Impedance                              | $\Omega$     | 50  |          |          |
| VSWR                                   |              | 694–790 MHz: < 2.0<br>790–2500 MHz: < 1.5<br>2500–2700 MHz: < 2.0 |          |          |
| Intermodulation IM3                    | dBc          | < -150 (2 x 43 dBm carrier)                                       |          |          |
| Max. power                             | W            | 100 (at 50 °C ambient temperature)                                |          |          |
| Connectors                             |              | N female  |          |          |
| Weight                                 | g<br>lb      | 500<br>1.1  |          |          |
| Profile cross-section                  | mm<br>inches | 25 x 25<br>1.0 x 1.0  |          |          |
| Packing size                           | mm<br>inches | 267 x 95 x 111<br>10.5 x 3.7 x 4.4                                |          |          |
| Max. size                              | mm<br>inches | 244 / 64 / 25<br>9.6 / 2.5 / 1.0                                  |          |          |

Material: Housing: Aluminum.  
Inner conductor: Brass.

DC capability: DC transmission only between input and port P<sub>1</sub>.  
P<sub>2</sub> is coupled capacitively.

Environmental conditions: IP 52



# Tapper

86010150, 86010151, 86010152

694–2700 MHz



[ericsson.com/antenna-system](https://ericsson.com/antenna-system)



Scan or [click](#)

**For indoor and outdoor use.**

2-way Tapper 694–2700 7.0 /1.0dB  
 2-way Tapper 694–2700 10.5/0.5dB  
 2-way Tapper 694–2700 15.3/0.3dB

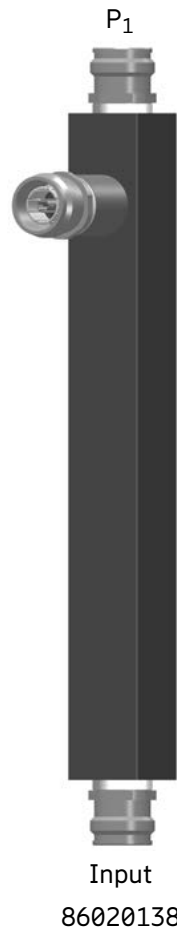
| Product No.                 |              | 86010150                           | 86010151 | 86010152 |
|-----------------------------|--------------|------------------------------------|----------|----------|
| Frequency range             | MHz          | 694 – 2700                         |          |          |
| Tap Loss                    |              |                                    |          |          |
| Input ↔ P1                  | dB           | -1.0                               | -0.5     | -0.3     |
| Input ↔ P2                  |              | -7.0                               | -10.5    | -15.3    |
| For connecting ... antennas |              | 2                                  |          |          |
| Insertion loss              | dB           | < 0.05                             |          |          |
| Impedance                   | Ω            | 50                                 |          |          |
| VSWR                        |              | 694 – 2700 MHz: < 1.5              |          |          |
| Intermodulation IM3         | dBc          | < -150 ( 2 x 43 dBm carrier)       |          |          |
| Max. power per input        | W            | 500 (at 50 °C ambient temperature) |          |          |
| Connector                   |              | 7-16 female                        |          |          |
| Weight                      | kg   lb      | 1.3   2.9                          |          |          |
| Packing size                | mm<br>inches | 310 x 93 x 112<br>12.2 x 3.7 x 4.4 |          |          |
| Max. size                   | mm<br>inches | 244 / 90 / 55<br>9.6 x 3.5 x 2.2   |          |          |

|                           |  |
|---------------------------|--|
| Material:                 | Housing: Aluminum.<br>Inner conductor: Brass.  |
| DC capability:            | DC transmission only between input and port P <sub>1</sub> .<br>P <sub>2</sub> is coupled capacitively.                            |
| Mounting:                 | Bracketed for wall mounting included in the scope of supply.<br>For pipe mast mounting use clamps listed below (order separately). |
| Environmental conditions: | IP 65  |

**Accessories (order separately)**

| Product No. |         | Clamp set suitable for mast diameter of |
|-------------|---------|---|
| 734360      | mm   in | 34–60   1.34–2.36                       |
| 734364      | mm   in | 120–140   4.72–5.51                     |
| 734365      | mm   in | 45–125   1.77–4.92                      |





# Tapper

86020136, 86020137, 86020138

694–2700 MHz



[ericsson.com/antenna-system](https://ericsson.com/antenna-system)



Scan or [click](#)

**For indoor and outdoor use.**

2-way Tapper 694–2700 7.0/1.0dB  
 2-way Tapper 694–2700 10.4/0.4dB  
 2-way Tapper 694–2700 15.1/0.1dB

| Product No.                            |              | 86020136  | 86020137 | 86020138 |
|--|--------------|---|----------|----------|
| Frequency range                        | MHz          | 694 – 2700 MHz  |          |          |
| Tap Loss                               |              |   |          |          |
| Input $\leftrightarrow$ P <sub>1</sub> | dB           | -1.0  | -0.4     | -0.1     |
| Input $\leftrightarrow$ P <sub>2</sub> |              | -7.0  | -10.4    | -15.1    |
| For connecting ... antennas            |              | 2   |          |          |
| Insertion loss                         | dB           | < 0.05  |          |          |
| Impedance                              | $\Omega$     | 50  |          |          |
| VSWR                                   |              | 694–790 MHz: < 2.0<br>790–2500 MHz: < 1.5<br>2500–2700 MHz: < 2.0 |          |          |
| Intermodulation IM3                    | dBc          | < -150 (2 x 43 dBm carrier)                                       |          |          |
| Max. power                             | W            | 100 (at 50 °C ambient temperature)                                |          |          |
| Connectors                             |              | 4.3-10 female   |          |          |
| Weight                                 | g<br>lb      | 500<br>1.1  |          |          |
| Profile cross-section                  | mm<br>inches | 25 x 25<br>1.0 x 1.0  |          |          |
| Packing size                           | mm<br>inches | 253 x 73 x 92<br>10.0 x 2.9 x 3.6                                 |          |          |
| Max. size                              | mm<br>inches | 247 / 66 / 25<br>9.7 / 2.6 / 1.0                                  |          |          |

Material: Housing: Aluminum.  
Inner conductor: Brass.

DC capability: DC transmission only between input and port P<sub>1</sub>.  
P<sub>2</sub> is coupled capacitively.

Environmental conditions: IP 65



# 50 Ohm Load

78410367

1.5 W | 0–4000 MHz

- Standard 50-Ohm terminations for small power
- Suitable for terminating open ports on RF equipment for indoor and /or outdoor applications



[ericsson.com/antenna-system](https://ericsson.com/antenna-system)



Scan or [click](#)

|                    |                          |   |
|--------------------|--------------------------|---|
| <b>Product No.</b> | <b>78410367</b>          |   |
| Connector          | 7-16 male                |   |
| Frequency range    | MHz                      | 0 – 4000                                |
| VSWR               | 0 – 2000 MHz             | < 1.10                                  |
|                    | 2000 – 4000 MHz          | < 1.30                                  |
| Max. input power   | W                        | 1.5*                                    |
| Application        | Indoor or outdoor (IP65) |   |
| Weight             | g   lb                   | 120   0.26                              |
| Dimensions         | mm   in                  | 40 / 32 diameter   1.6 / 1.3 diameter   |
| Packing size       | mm   in                  | Approx. 50 x 90 x 100   2.0 x 3.5 x 3.9 |

\* Rated power at 40 °C ambient temperature. The max. power rating increases or decreases with falling or rising ambient temperature.



# 50 Ohm Load

78210484

2 W | 0-6000 MHz

- Standard 50-Ohm terminations for small power
- Suitable for terminating open ports on RF equipment for indoor and /or outdoor applications



[ericsson.com/antenna-system](https://ericsson.com/antenna-system)



Scan or [click](#)

|                         |                 |   |
|-------------------------|-----------------|---|
| <b>Product No.</b>      |                 | <b>78210484</b>                           |
| <b>Connector</b>        |                 | 4.3-10 male                               |
| <b>Frequency range</b>  | <b>MHz</b>      | 0 – 6000                                  |
| <b>VSWR</b>             | 0 – 1000 MHz    | < 1.08                                    |
|                         | 1000 – 2500 MHz | < 1.13                                    |
|                         | 2500 – 6000 MHz | < 1.25                                    |
| <b>Max. input power</b> | <b>W</b>        | 2*  |
| <b>Application</b>      |                 | Indoor or outdoor (IP 67)                 |
| <b>Weight</b>           | <b>g   lb</b>   | 63   0.1                                  |
| <b>Dimensions</b>       | <b>mm   in</b>  | 42.9 / 24.0 diameter   1.7 / 0.9 diameter |
| <b>Packing size</b>     | <b>mm   in</b>  | 90 x 100 x 25   3.5 x 3.9 x 1.0           |

\* Rated power at 40 °C ambient temperature. The max. power rating increases or decreases with falling or rising ambient temperature.



78211760, 78211761



78211762, 78211763

# 50 Ohm Load

78211760, 78211761,  
78211762, 78211763

25 W / 50 W | 690–5800 MHz

- Designed as 50-Ohm termination wherever improved intermodulation performance compared to standard loads is required
- Excellent intermodulation performance
- Suitable for indoor or outdoor applications
- Wall or mast mounting
- Built-in DC stop



[ericsson.com/antenna-system](https://ericsson.com/antenna-system)



Scan or [click](#)

| Product No.              |   | 78211760  | 78211761      | 78211762               | 78211763      |
|--------------------------|---|---|---------------|------------------------|---------------|
| Frequency range          | MHz                                     | 690 – 5800 MHz  |               |                        |               |
| VSWR                     |   | < 1.2   |               |                        |               |
| Impedance                | $\Omega$                                | 50  |               |                        |               |
| Input power              | W                                       | 25  | 25            | 50                     | 50            |
| Intermodulation products | dBc                                     | < -160 (3 <sup>rd</sup> order; with 2 x 20 W)                           |               |                        |               |
| Temperature range        | $^{\circ}\text{C}$   $^{\circ}\text{F}$ | -40 ... +55   -40 ... +131  |               |                        |               |
| Connector                |   | 4.3-10 male   | 4.3-10 female | 4.3-10 male            | 4.3-10 female |
| Application              |   | Indoor or outdoor (IP 66)   |               |                        |               |
| DC/AISG transparency     |   | Built-in DC stop<br>AISG: Attenuation up to 3 dB when used in a network |               |                        |               |
| Mounting                 |   | Wall mounting: With 2 screws (max. 8.0 mm diameter)                     |               |                        |               |
| Weight                   | kg   lb                                 | 1.0   2.2   |               | 1.2   2.6              |               |
| Dimensions               | mm   in                                 | Ø 74 x 109   2.9 x 4.3  |               | Ø 96 x 122   3.8 x 4.8 |               |

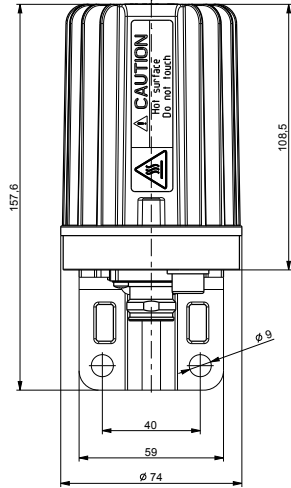
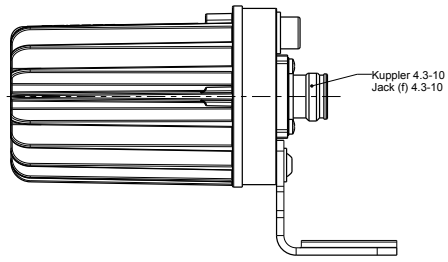
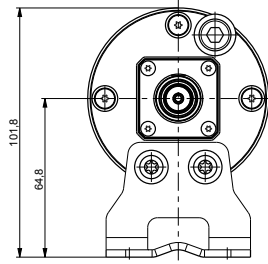
### Accessories (order separately)

| Product No. |         | Clamp set suitable for mast diameter of |
|-------------|---------|---|
| 734360      | mm   in | 34–60   1.34–2.36                       |
| 734364      | mm   in | 120–140   4.72–5.51                     |
| 734365      | mm   in | 45–125   1.77–4.92                      |

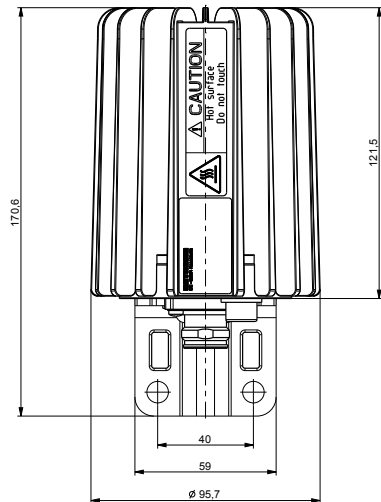
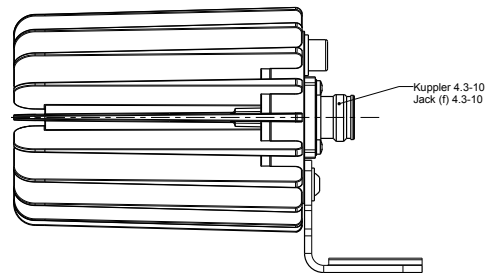
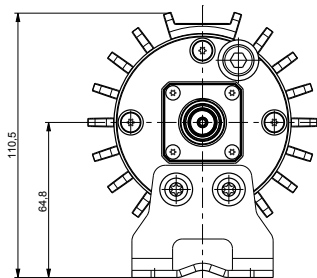


Dimensions [mm]

25 W - version  
78211761



50 W - version  
78211763





# 50 Ohm Load

78210473

80 W | 380–3800 MHz

- Designed as 50-Ohm termination wherever improved intermodulation performance compared to standard loads is required
- Excellent intermodulation performance
- Suitable for indoor or outdoor applications
- Wall or mast mounting
- Built-in DC stop



[ericsson.com/antenna-system](https://ericsson.com/antenna-system)



Scan or [click](#)

**Technical Data**

|                          |   |   |
|--------------------------|---|---|
| <b>Product No.</b>       |   | <b>78210473</b>   |
| Frequency range          | MHz                                     | 380 – 3800  |
| VSWR                     |   | < 1.2 (380 – 450 MHz)<br>< 1.12 (450 – 3200 MHz)<br>< 1.29 (3200 – 3800 MHz)                                    |
| Impedance                | $\Omega$                                | 50  |
| Input power              | W                                       | < 80 (see table)  |
| Intermodulation products | dBc                                     | < -160 (3 <sup>rd</sup> order; with 2 x 20 W)   |
| Temperature range        | $^{\circ}\text{C}$   $^{\circ}\text{F}$ | -40 ... +55   -40 ... +131  |
| Connector                |   | 4.3-10 female   |
| Application              |   | Indoor or outdoor (IP 66)   |
| DC/AISG transparency     |   | Built-in DC stop<br>AISG: Attenuation up to 3 dB when used in a network   |
| Mounting                 |   | Wall mounting: With 4 screws (max. 6.5 mm diameter)<br>Mast mounting: With additional Clamp set (see next page) |
| Weight                   | kg   lb                                 | 3.1   6.8   |
| Dimensions (w x h x d)   | mm   in                                 | 144 x 216 x 79   5.7 x 8.5 x 3.1<br>(including connector)   |
| Packing size             | mm   in                                 | 377 x 232 x 189   14.8 x 9.1 x 7.4  |

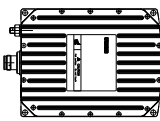

**Note:**

The RF port connector should always point downwards if mounted outdoors.

The input power rating of 80 W is specified at an ambient temperature of +40  $^{\circ}\text{C}$  with the combiner mounted vertically, without additional cooling, and while respecting the safety standard EN IEC 60950 (max. surface temperature +90  $^{\circ}\text{C}$ ).

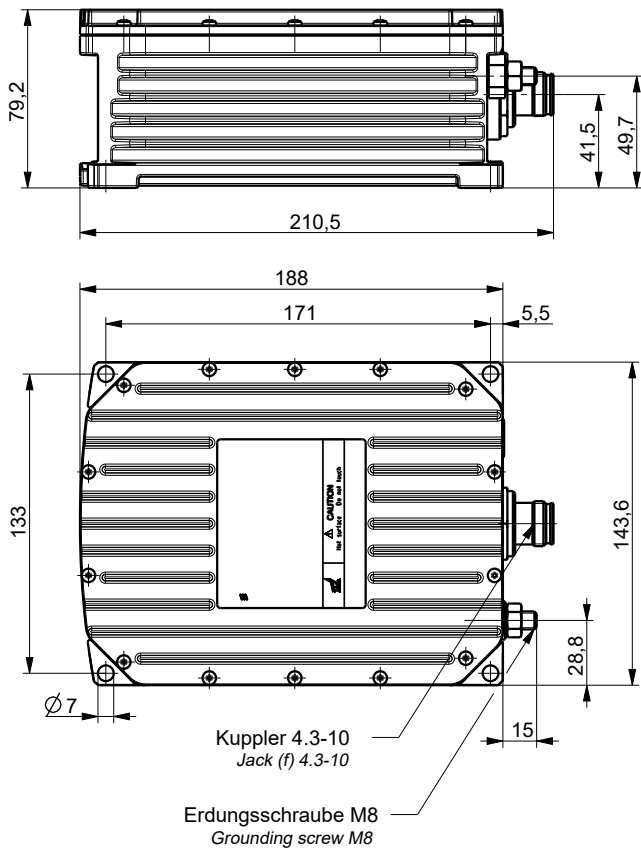
The max. power rating increases or decreases with falling or rising ambient temperature and depending on horizontal or vertical mounting in accordance with the following table:

**Max. input power per port**

|                          | Mounted horizontally  | Mounted vertically  |
|--------------------------|---|---|
| Max. ambient temperature |  |  |
| +55 $^{\circ}\text{C}$   | 50 W  | 60 W  |
| +40 $^{\circ}\text{C}$   | 70 W  | 80 W  |
| +25 $^{\circ}\text{C}$   | 90 W  | 100 W   |

**Accessories (order separately)**

| Product No. |         | Clamp set suitable for mast diameter of |
|-------------|---------|---|
| 734360      | mm   in | 34–60   1.34–2.36                       |
| 734364      | mm   in | 120–140   4.72–5.51                     |
| 734365      | mm   in | 45–125   1.77–4.92                      |

**Mast mounting with Clamp set 734360 ... 734365**

Clamps inserted into slots at rear side of the 50-Ohm Load



Side view of a mast mounted 50-Ohm Load



Picture similar



# 50 Ohm Load

78210475

150 W | 380–5800 MHz

- Designed as 50-Ohm termination wherever improved intermodulation performance compared to standard loads is required
- Excellent intermodulation performance
- Suitable for indoor or outdoor applications
- Wall or mast mounting
- Built-in DC stop



[ericsson.com/antenna-system](https://ericsson.com/antenna-system)



Scan or [click](#)

**Technical Data**

|                          |   |   |
|--------------------------|---|---|
| <b>Product No.</b>       |   | <b>78210475</b>   |
| Frequency range          | MHz                                     | 380 – 5800  |
| VSWR                     |   | < 1.2 (380 – 450 MHz)<br>< 1.12 (450 – 5000 MHz)<br>< 1.25 (5000 – 5800 MHz)                                    |
| Impedance                | $\Omega$                                | 50  |
| Input power              | W                                       | < 150   |
| Intermodulation products | dBc                                     | < -160 (3 <sup>rd</sup> order; with 2 x 20 W)   |
| Temperature range        | $^{\circ}\text{C}$   $^{\circ}\text{F}$ | -40 ... +55   -40 ... +131  |
| Connectors               |   | 7-16 female (long neck)   |
| Application              |   | Indoor or outdoor (IP 66)   |
| DC/AISG transparency     |   | Built-in DC stop<br>AISG: Attenuation up to 3 dB when used in a network   |
| Mounting                 |   | Wall mounting: With 4 screws (max. 6.5 mm diameter)<br>Mast mounting: With additional clamp set (see next page) |
| Weight                   | kg   lb                                 | 6   13.2  |
| Dimensions (w x h x d)   | mm   in                                 | 235 x 235 x 107   9.3 x 9.3 x 4.2<br>(without connectors, without mounting brackets)                            |
| Packing size (w x h x d) | mm   in                                 | 405 x 305 x 195   15.9 x 12.0 x 7.7   |

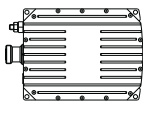
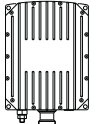
**Note:**

The RF port connector should always point downwards if mounted outdoors.

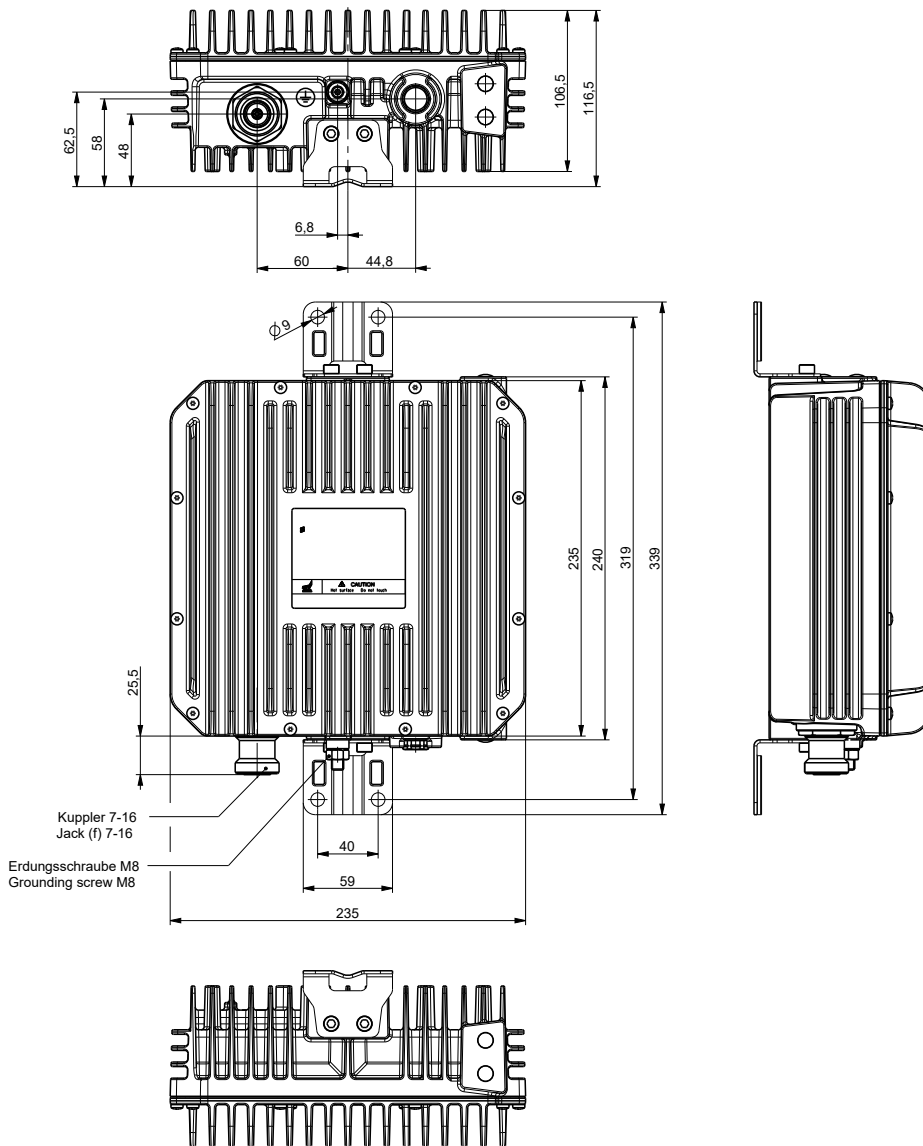
The input power rating of 150 W is specified at an ambient temperature of +40  $^{\circ}\text{C}$  with the combiner mounted vertically, without additional cooling, and while respecting the safety standard EN IEC 60950 (max. surface temperature +90  $^{\circ}\text{C}$ ).

The max. power rating increases or decreases with falling or rising ambient temperature and depending on horizontal or vertical mounting in accordance with the following table:

**Max. input power per port**

|                          | Mounted horizontally  | Mounted vertically  |
|--------------------------|---|---|
| Max. ambient temperature |  |  |
| +55 $^{\circ}\text{C}$   | 80 W  | 100 W   |
| +40 $^{\circ}\text{C}$   | 110 W   | <b>150 W</b>  |
| +25 $^{\circ}\text{C}$   | 150 W   | 180 W   |

Dimensions in mm



### Accessories (order separately)

| Product No. |         | Clamp set suitable for mast diameter of |
|-------------|---------|---|
| 734360      | mm   in | 34–60   1.34–2.36                       |
| 734364      | mm   in | 120–140   4.72–5.51                     |
| 734365      | mm   in | 45–125   1.77–4.92                      |

## RET

- RET Modules
- Service Tools
- RET System Components
- RET Control Cables

RET

---

## Mounting Accessories

- Clamps
- Downtilt Kits
- Azimuth Adjustment Kits
- Offsets
- Other Accessories

Mounting Accessories



## RET

| Product No.           | Product Name  | Page                |
|-----------------------|---|---------------------|
| RET Modules           |   |                     |
| 86010148V01           | external RET  | <a href="#">826</a> |
| 86010153V01           | FlexRET 6-fold  | <a href="#">828</a> |
| 86010165              | FlexRET 8-fold  | <a href="#">830</a> |
| 86010165RAE           | FlexRET 8-fold RAE  | <a href="#">832</a> |
| 86010167              | FlexRET 8-fold  | <a href="#">834</a> |
| Service Tools         |   |                     |
| 85010080              | Torque Screwdriver for RET Cable, 1 N, (only for 860... cables) | <a href="#">836</a> |
| 86010046              | Portable Control Adapter, PCA                                   | <a href="#">838</a> |
| 86010158              | Antenna Line Configurator, ALC                                  | <a href="#">840</a> |
| RET System Components |   |                     |
| 86010129              | Antenna Monitoring Unit AMU                                     | <a href="#">842</a> |
| 86010154              | Site Sharing Adapter 3-way                                      | <a href="#">844</a> |
| 86010155              | Site Sharing Adapter 6-way                                      | <a href="#">846</a> |
| 86010162              | Gender Adapter for FlexRET                                      | <a href="#">848</a> |
| KRY 121 108/1         | Port Extender for FlexRET                                       | <a href="#">850</a> |
| 86010030              | Lightning Protection for RET Cable                              | <a href="#">852</a> |

## RET

| Product No.        | Product Name                    | Page                |
|--------------------|---------------------------------|---------------------|
| RET Control Cables |                                 |                     |
| 86010054           | RET control cable, black, 0.5 m | <a href="#">854</a> |
| 1/TSR48421/1000    | RET control cable, black, 1 m   | <a href="#">856</a> |
| 1/TSR48421/2000    | RET control cable, black, 2 m   | <a href="#">856</a> |
| 1/TSR48421/3000    | RET control cable, black, 3 m   | <a href="#">856</a> |
| 1/TSR48421/5000    | RET control cable, black, 5 m   | <a href="#">856</a> |
| 1/TSR48421/10M     | RET control cable, black, 10 m  | <a href="#">856</a> |
| 1/TSR48421/15M     | RET control cable, black, 15 m  | <a href="#">856</a> |
| 86010032           | RET control cable, black, 20 m  | <a href="#">854</a> |
| 86010011           | RET control cable, black, 25 m  | <a href="#">854</a> |
| 86010012           | RET control cable, black, 40 m  | <a href="#">854</a> |
| 86010033           | RET control cable, black, 50 m  | <a href="#">854</a> |
| 86010013           | RET control cable, black, 60 m  | <a href="#">854</a> |
| 86010014           | RET control cable, black, 80 m  | <a href="#">854</a> |
| 86010015           | RET control cable, black, 100 m | <a href="#">854</a> |
| 1/TSR48422/1000    | RET control cable, grey, 1 m    | <a href="#">856</a> |
| 1/TSR48422/2000    | RET control cable, grey, 2 m    | <a href="#">856</a> |
| 1/TSR48422/3000    | RET control cable, grey, 3 m    | <a href="#">856</a> |
| 1/TSR48422/15M     | RET control cable, grey, 15 m   | <a href="#">856</a> |

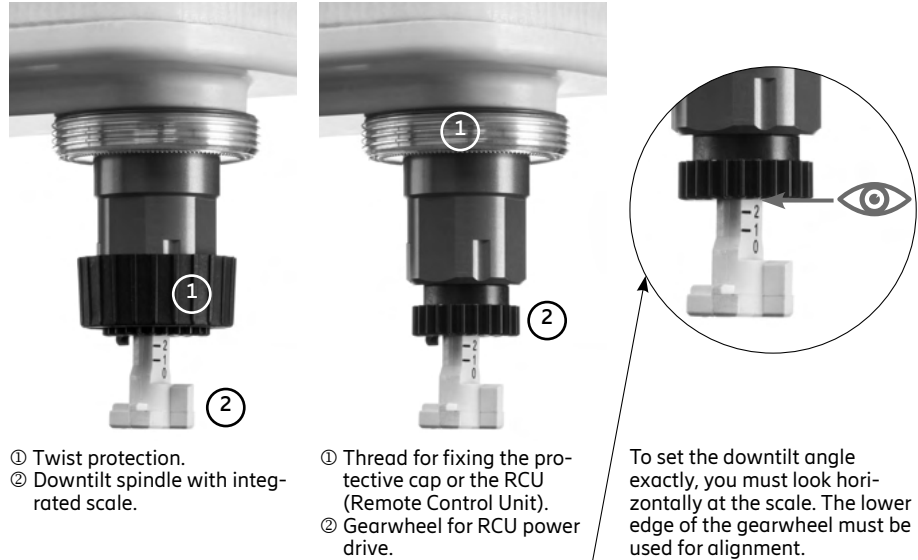
# Downtilting of Antennas with external RCU: Downtilt Possibilities

## Mechanical downtilt

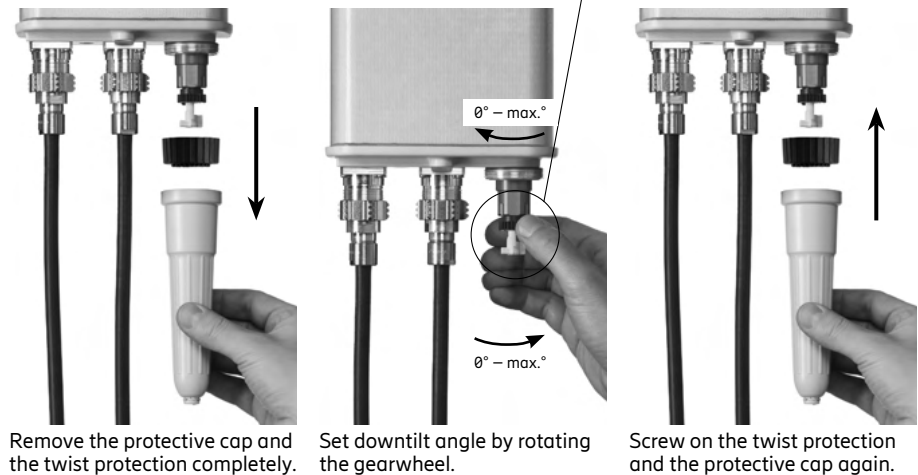
For further technical information please see "Mounting Accessories", pages 862 and 863.

## Electrical downtilt

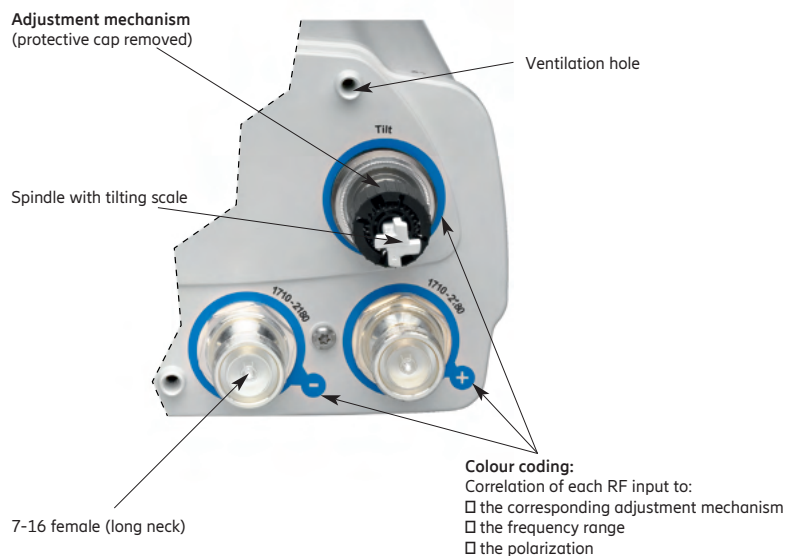
Description of the adjustment mechanism (protective cap removed):



### Manual adjustment procedure:



### Description of bottom end cap (exemplary picture):



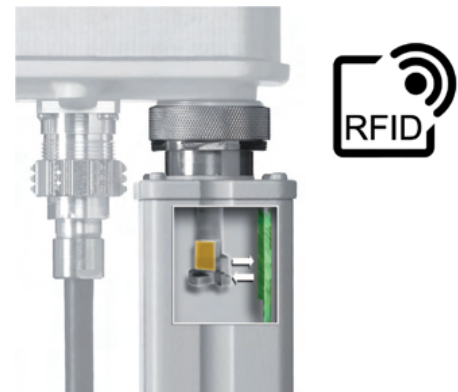
## Remote Electrical Tilt System Functionality of different RET Technologies



Ericsson's overall RET system works in accordance with the AISG (Antenna Interface Standards Group) standard and 3GPP (3rd Generation Partnership Project).

### RCU with RFID Feature

- External RCU 86010148V01 includes a RFID reader
- Antenna spindles are equipped with RFID tags
- The antenna specific data is stored on this tag:
  - Type number
  - Serial number
  - Configuration File
- With power on, the data is read out automatically from the tag by the RCU



### FlexRET

- Integrated RET module inside the antenna (86010153V01 / 86010165 / 86010165RAE / 86010167\*)
- Pre-configured with the antenna specific parameters:
  - Type number
  - Serial number
  - Configuration file
- Calibrated ex-factory
- The FlexRET module is exchangeable
  - Automatic data transfer in case of exchange with internal RFID tag
  - Only calibration is necessary
- Daisy chain possibility with FlexRET antennas and / or external RCUs
- Same module for all antennas
- SingleRET or MultiRET selection possible
- Array allocation possible with special Site Sharing Adapter or Gender Adapter / Port Extender



### AISG standard compliancy overview for the Ericsson FlexRET modules

|             | AISG2             |   | AISG3          |                 | RAE                |
|-------------|-------------------|---|----------------|-----------------|--------------------|
|             | 3GPP / AISG2 v2.0 |   | AISG3 v3.0.2.1 | ADB vADB3.1.3.1 | AISG-ES-RAE-v2.2.0 |
| 86010153V01 | ✓                 | X | X              | X               | X                  |
| 86010165    | ✓                 | ✓ | ✓              | ✓               | X                  |
| 86010165RAE | ✓                 | ✓ | ✓              | ✓               | ✓                  |
| 86010167*   | ✓                 | ✓ | ✓              | ✓               | X                  |

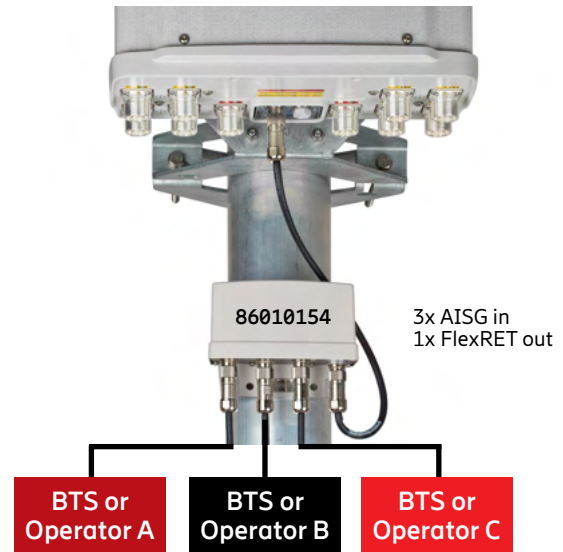
\* 86010167 is without RFID tag. In case of exchange, the antenna data has to be loaded manually to the FlexRET. Gender Adapter and Port Extender are not supported

## Remote Electrical Tilt System

### Functionality of different RET Technologies

#### Site Sharing Adapter

- Needed whenever the AISG control of a FlexRET antenna shall be performed by a higher number of base stations (BTS)
- 2 different realizations available
  - 3-way Site Sharing Adapter: Product No. 86010154 – FlexRET control with up to 3 BTS
  - 6-way Site Sharing Adapter: Product No. 86010155 – FlexRET control with up to 6 BTS
- Daisy chaining of up to 3 FlexRET antennas
- Additional ALDs can be mounted prior to the Site Sharing Adapter
- Flexible allocation of antenna arrays to the different BTS units using a special software application via PC
- Each BTS can act independently
- Individual password protection of configuration possible
- Configuration can be sent to the Site Sharing Adapter with every AISG control device (BTS or e.g. Ericsson ALC)



#### Gender Adapter (86010162)

- Can be used if 2 base stations (BTS) are interconnected to one common FlexRET antenna
- Mounted on the FlexRET output of the module
- Converts the AISG output to an AISG input
- The allocation of the antenna arrays can easily be performed during the commissioning process via the BTS or flexible allocation of antenna arrays to the different BTS units using a special software application via PC



#### Port Extender (KRY 121 108/1)

- Can be used if 2 BTS are interconnected to common FlexRET antennas in daisy chain
- Mounted on the FlexRET module by 2 screws
- Converts 1 FlexRET input and output to 2 FlexRET inputs and outputs
- Daisy chaining with further FlexRET antennas and / or external RCUs
- The allocation of the antenna arrays can easily be performed during the commissioning process via the BTS or flexible allocation of antenna arrays to the different BTS units using a special software application via PC



Manuals for all our AISG control devices and for the Site Sharing Adapter as well as the corresponding software downloads can be found on our website [ericsson.com/antenna-system](http://ericsson.com/antenna-system)



# External RET

86010148V01



[ericsson.com/antenna-system](https://ericsson.com/antenna-system)



Scan or [click](#)

Remote Control Unit (RCU) for Ericsson base station antennas with adjustable electrical down-tilt and appropriate mechanical interface.

- Compliant to AISG 1.1 and 3GPP/AISG 2.0
- Compact size
- Prepared for automatic configuration and calibration
- Daisy Chain feasibility
- Suitable for operation under outdoor conditions

|  |              |  |
|--|--------------|--|
| <b>Product No.</b>                         |              | <b>86010148V01</b>   |
| Protocols                                  |              | compliant to AISG 1.1 and 3GPP/AISG 2.0  |
| Logical interface ex factory <sup>1)</sup> |              | 3GPP/AISG 2.0  |
| Input voltage range                        | V            | 10 ... 30 (pin 1, pin 6)   |
| Power consumption                          | W            | < 1 (stand by); < 10 (motor activated)   |
| Connectors <sup>2) 3)</sup>                |              | 2 x 8 pin connector according to IEC 60130-9; according to AISG<br>Daisy chain in: male; Daisy chain out: female |
| Hardware interfaces                        |              | RS 485A/B (pin 5, pin 3);<br>power supply (pin 1, pin 6); DC return (pin 7);<br>according to AISG / 3GPP         |
| Adjustment time (full range)               | sec          | 40 (typically, depending on antenna type)  |
| Adjustment cycles                          |              | > 50,000   |
| Temperature range                          | °C           | -40 ... +60  |
| Protection class                           |              | IP 24  |
| Lightning protection                       |              | AISG interface (each pin)<br>2.5 kA (10/350 µs)<br>8 kA (8/20 µs)  |
| Housing material                           |              | Profile: Aluminum anodized; cover: Aluminum die cast coated  |
| Weight                                     | kg<br>lbs    | 0.5<br>0.99  |
| Packing size                               | mm<br>inches | 245 x 93 x 102<br>9.6 x 3.6 x 4  |
| Dimensions (H x W x D)                     | mm<br>inches | 177.5 x 59.5 x 49.5<br>7.0 x 2.3 x 1.9   |

<sup>1)</sup> The protocol of the logical interface can be switched from 3GPP/AISG 2.0 AISG 1.1 to with a vendor specific command. Start-up operation of the RCU is only possible in a RET system supporting 3GPP/AISG 2.0!  
The protocol can also be changed as follows: 3GPP to AISG 1.1: Enter "AISG1" into the additional data field "Installer's ID" and perform a layer 2 reset or a power reset. AISG 1.1 to 3 GPP: Enter "3GPP" into the additional data field "Installer's ID" and perform a layer 7 reset or a power reset. After switching the protocol any other information can be entered into the "Installer's ID" field.

Please note:

If the Primary of the RET system doesn't support the standard of the 'logical interface ex factory', the RCU must be switched to the appropriate standard of the Primary before installation. Please contact Ericsson for further information.

<sup>2)</sup> The tightening torque for fixing the connector must be 0.5 – 1.0 Nm. The connector should be tightened by hand or using the torque screwdriver (85010080) as described in the connecting cable data sheet (only valid for 860... cables)

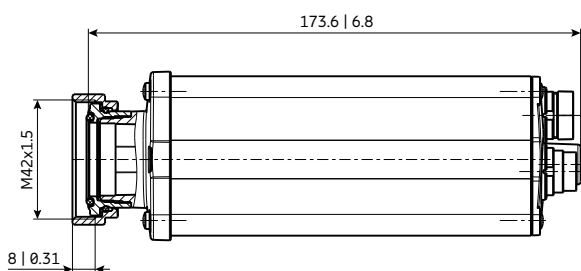
<sup>3)</sup> The RCU gets the information stored in the antenna after power on automatically if a corresponding antenna is used. In this case, it is not necessary to configure the RCU manually.

Standards:  
EN 60950-1 (Safety)  
EN 60950-22 (Safety – Equipment installed outdoor)  
EN 55022 (Emission)  
EN 55024 (Immunity)  
ETS 300019-1-4 (Environmental)  
UL 60950-1; 1<sup>st</sup> edition

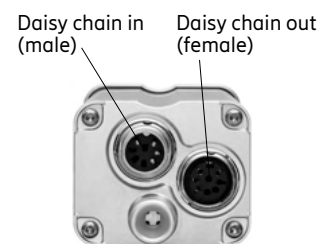
EU-RED  
Hereby, Ericsson declares that the radio equipment type 86010148v01 is in compliance with Directive 2014/53/EU. The full text of the EU declaration of conformity is available at the following internet address: mobilcom.eag@ericsson.com

Certification: CE, FCC

Scope of supply: Remote Control Unit, Assembly paste



All dimensions in mm | inches



Bottom view of RCU



# FlexRET 6-fold

86010153V01

- Compliant to 3GPP/AISG 2.0
- Daisy Chain feasibility
- Single RETs or Multi RET displayed
- Pre-configured
- Two way antenna sharing feasibility



[ericsson.com/antenna-system](https://ericsson.com/antenna-system)



Scan or [click](#)



|                              |              |   |
|------------------------------|--------------|---|
| <b>Product No.</b>           |              | <b>86010153V01</b>  |
| Protocols                    |              | compliant to 3GPP/AISG 2.0  |
| Logical interface ex factory |              | 3GPP/AISG 2.0   |
| Operates as                  |              | Single RETs or Multi RET  |
| Ex factory                   |              | Single RETs   |
| Input voltage range          | V            | 10 ... 30 (pin 6)   |
| Power consumption            | W            | Typically < 1; < 10 (motor activated)   |
| Connectors                   |              | 2x 8 pin connector according to IEC 60130-9; according to AISG-C 485<br>Daisy chain in: male; Daisy chain out: female |
| Hardware interfaces          |              | RS 485A/B (pin 5, pin 3);<br>power supply (pin 6); DC return (pin 7);<br>according to AISG / 3GPP                     |
| Adjustment time (full range) | sec          | 40<br>(typically, depending on antenna type)  |
| Adjustment cycles            |              | > 50,000  |
| Temperature range            | °C           | -40 ... +60   |
| Protection class             |              | IP 24 (installed)   |
| Lightning protection         |              | AISG interface (each pin)<br>2.5 kA (10/350 µs)<br>8 kA (8/20 µs) according to IEC 61000-4-5                          |
| Housing material             |              | Profile: Aluminum anodized; cover: Aluminum die cast coated   |
| Weight                       | g<br>lb      | 350<br>0.77   |
| Packing size (H x W x D)     | mm<br>inches | 245 x 93 x 102<br>9.6 x 3.6 x 4   |
| Dimensions (H x W x D)       | mm<br>inches | 142 x 71 x 51<br>5.6 x 2.8 x 2  |

This device is not compatible to antennas with other FlexRET versions. These FlexRET devices can not be replaced by 86010165, 86010165RAE or 86010167.

Non-observance can damage the antenna and the RET device.

**Please note:**

If the Primary which controls the FlexRET system does not support the default ex-factory interface setting, then the FlexRET must be switched to the appropriate standard of the Primary before installation. Please contact Ericsson for further information.

If the FlexRET of an antenna has to be replaced, the FlexRET gets the information stored in the antenna after power on automatically. It is not necessary to configure the FlexRET manually.

Standards: EN 60950-1 (Safety)  
EN 60950-22 (Safety – Equipment installed outdoor)  
EN 55022 (Emission)  
EN 55024 (Immunity)  
ETS 300019-1-4 (Environmental)  
UL 60950-1; 1<sup>st</sup> edition

EU-RED: Hereby, Ericsson declares that the radio equipment type 86010153V01 is in compliance with Directive 2014/53/EU. The full text of the EU declaration of conformity is available and can be requested at the following address: mobilcom.eag@ericsson.com

Certification: CE, FCC

Scope of supply: FlexRET

Optional: **Site Sharing Adapter** (86010154 or 86010155) to create independent logical interfaces at one antenna or site. Makes it possible to operate with more than one independent Node B.

**Gender Adapter** (86010162) to convert the AISG out (female) to an AISG in (male) port in order to operate one FlexRET with exactly 2 BTS.  
Detailed information is given in the data sheet of the Gender Adapter.

**Port Extender** (KRY 121 108/1) to convert the existing AISG input and output in order to operate FlexRET with exactly 2 BTS while maintaining the daisy chain capability.  
Detailed information is given in the data sheet of the Port Extender.

**Please note:**

In general, the addressing of the FlexRET is automatically performed. Only in case the FlexRET is manually addressed, the serial number has to be extended by the corresponding colour coding extension (e.g. CSG351234-R1). The respective information can be found on the site documentation which is included in the scope of supply.



# FlexRET 8-fold

86010165

- Compliant to 3GPP / AISG 2.0 – AISG 3
- Daisy Chain feasibility
- Single RETs or Multi RET displayed
- Pre-configured
- Individual user-specific configuration possible:
  - Antenna sharing-assignment of certain RET-subunits to RET-ports
  - Antenna tilt consolidations for RET control of several arrays by one RET-subunit



[ericsson.com/antenna-system](https://ericsson.com/antenna-system)



Scan or [click](#)

|                              |              |  |
|------------------------------|--------------|--|
| <b>Product No.</b>           |              | <b>86010165</b>  |
| Protocols                    |              | compliant to 3GPP / AISG 2.0 – AISG 3  |
| Logical interface ex factory |              | 3GPP / AISG 2.0  |
| Operates as                  |              | Single RETs or Multi RET   |
| Ex factory                   |              | Single RETs  |
| Input voltage range          | V            | 10 ... 30 (pin 6)  |
| Power consumption            | W            | Typically < 1; < 10 (motor activated)  |
| Connectors                   |              | 2 x 8 pin connector according to IEC 60130-9; according to AISG-C 485<br>Daisy chain in: male; Daisy chain out: female |
| Hardware interfaces          |              | RS 485A/B (pin 5, pin 3);<br>power supply (pin 6); DC return (pin 7);<br>according to AISG / 3GPP                      |
| Adjustment time (full range) | sec          | 40<br>(typically, depending on antenna type)   |
| Adjustment cycles            |              | > 50,000   |
| Temperature range            | °C           | -40 ... +60  |
| Protection class             |              | IP 24 (installed)  |
| Lightning protection         |              | AISG interface (each pin)<br>2.5 kA (10/350 µs)<br>8 kA (8/20 µs) according to IEC 61000-4-5                           |
| Housing material             |              | Profile: Aluminum anodized; cover: Aluminum die cast coated  |
| Weight                       | g<br>lb      | 350<br>0.77  |
| Packing size (H x W x D)     | mm<br>inches | 245 x 93 x 102<br>9.6 x 3.6 x 4  |
| Dimensions (H x W x D)       | mm<br>inches | 142 x 71 x 51<br>5.6 x 2.8 x 2   |

This device is not compatible to antennas with FlexRET 86010153 or 86010153V01. These FlexRET devices can not be replaced by 86010165.

Non-observance can damage the antenna and the RET device.

**Please note:**

If the Primary which controls the FlexRET system does not support the default ex-factory interface setting, then the FlexRET must be switched to the appropriate standard of the Primary before or higher installation. Please contact Ericsson for further information.

For support of AISG3 features ADB and MALD FW\_V03.01.01 is needed. The latest firmware is available via our customer portal on [www.ericsson.com/antenna-system](http://www.ericsson.com/antenna-system)

The FlexRET needs to be powered by a LPS (Limited Power Source, Class: P2) according to IEC/EN 62368-1.

If the FlexRET of an antenna has to be replaced, the FlexRET gets the information stored in the antenna after power on automatically. It is not necessary to configure the FlexRET manually.

Standards: EN 62368-1 (Safety)  
EN 60950-22 (Safety – Equipment installed outdoor)  
ETSI EN 301489-1 (EMI)  
ETSI EN 301489-3 (EMI)  
ETS 300019-1-4 (Environmental)  
ETSI EN 300330 (Radio equipment)  
EN 50364 (Health)

EU-RED: Hereby, Ericsson declares that the radio equipment type 86010165 is in compliance with Directive 2014/53/EU. The full text of the EU declaration of conformity is available and can be requested at the following address: [mobilcom.eag@ericsson.com](mailto:mobilcom.eag@ericsson.com)

Certification: CE, FCC

Scope of supply: FlexRET

Optional: Site Sharing Adapter (86010154 or 86010155) to create independent logical interfaces at one antenna or site. Makes it possible to operate with more than one independent Node B. Operation in AISG 2.0 mode only.

Gender Adapter (86010162) to convert the AISG out (female) to an AISG in (male) port in order to operate one FlexRET with exactly 2 BTS.  
Detailed information is given in the data sheet of the Gender Adapter.

Port Extender (KRY 121 108/1) to convert the existing AISG input and output in order to operate FlexRET with exactly 2 BTS while maintaining the daisy chain capability.  
Detailed information is given in the data sheet of the Port Extender.

**Please note:**

In general, the addressing of the FlexRET is automatically performed. Only in case the FlexRET is manually addressed, the serial number has to be extended by the corresponding colour coding extension (e.g. CSG351234-R1). The respective information can be found on the site documentation which is included in the scope of supply.



# FlexRET 8-fold RAE

## 86010165RAE

- Compliant to 3GPP / AISG 2.0 – AISG 3
- Daisy Chain feasibility
- Single RETs or Multi RET displayed
- Pre-configured
- Separate RAE device integrated
- Individual user-specific configuration possible:
  - Antenna sharing-assignment of certain RET-subunits to RET-ports
  - Antenna tilt consolidations for RET control of several arrays by one RET-subunit



[ericsson.com/antenna-system](https://ericsson.com/antenna-system)



Scan or [click](#)

|                              |              |   |
|------------------------------|--------------|---|
| <b>Product No.</b>           |              | <b>86010165RAE</b>  |
| Protocol                     |              | compliant to 3GPP / AISG 2.0 – AISG 3 – AISG-ES-RAE-v2.2.0  |
| Logical interface ex factory |              | 3GPP / AISG 2.0   |
| Operates as                  |              | Single RETs or Multi RET  |
| Ex factory                   |              | Single RETs   |
| Input voltage range          | V            | 10 ... 30 (pin 6)   |
| Power consumption            | W            | Typically < 1; < 10 (motor activated)   |
| Connectors                   |              | 2x 8 pin connector according to IEC 60130-9; according to AISG-C 485<br>Daisy chain in: male; Daisy chain out: female |
| Hardware interfaces          |              | RS 485A/B (pin 5, pin 3);<br>power supply (pin 6); DC return (pin 7);<br>according to AISG / 3GPP                     |
| Adjustment time (full range) | sec          | 40 (typically, depending on antenna type)   |
| Adjustment cycles            |              | > 50,000  |
| Temperature range            | °C           | -40 ... +60   |
| Protection class             |              | IP 24 (installed)   |
| Lightning protection         |              | AISG interface (each pin)<br>2.5 kA (10/350 µs)<br>8 kA (8/20 µs) according to IEC 61000-4-5                          |
| Housing material             |              | Profile: Aluminum anodized; cover: Aluminum die cast coated   |
| Weight                       | g<br>lb      | 350<br>0.77   |
| Packing size (H x W x D)     | mm<br>inches | 245 x 93 x 102<br>9.6 x 3.6 x 4   |
| Dimensions (H x W x D)       | mm<br>inches | 142 x 71 x 51<br>5.6 x 2.8 x 2  |

This device is not compatible to antennas with other FlexRET. Non-observance can damage the antenna and the RET device.

**Please note:**

If the Primary which controls the FlexRET system does not support the default ex-factory interface setting, then the FlexRET must be switched to the appropriate standard of the Primary before installation. Please contact Ericsson for further information.

The FlexRET needs to be powered by a LPS (Limited Power Source, Class: P2) according to IEC/EN 62368-1.

Standards: EN 62368-1 (Safety)  
EN 60950-22 (Safety – Equipment installed outdoor)  
ETSI EN 301489-1 (EMI)  
ETSI EN 301489-3 (EMI)  
ETS 300019-1-4 (Environmental)  
ETSI EN 300330 (Radio equipment)  
EN 50364 (Health)

EU-RED: Hereby, Ericsson declares that the radio equipment type is in compliance with Directive 2014/53/EU.  
The full text of the EU declaration of conformity is available and can be requested at the following address:  
mobilcom.eag@ericsson.com

Certification: CE, FCC

Scope of supply: FlexRET

Optional: Site Sharing Adapter (86010154 or 86010155) to create independent logical interfaces at one antenna or site.  
Makes it possible to operate with more than one independent Node B. Operation in AISG 2.0 mode only.

Gender Adapter (86010162) to convert the AISG out (female) to an AISG in (male) port in order to operate one FlexRET with exactly 2 BTS.  
Detailed information is given in the data sheet of the Gender Adapter.

Port Extender (KRY 121 108/1) to convert the existing AISG input and output in order to operate FlexRET with exactly 2 BTS while maintaining the daisy chain capability.  
Detailed information is given in the data sheet of the Port Extender.

**Please note:**

In general, the addressing of the FlexRET is automatically performed. Only in case the FlexRET is manually addressed, the serial number has to be extended by the corresponding colour coding extension (e.g. CSG351234-R1). The respective information can be found on the site documentation which is included in the scope of supply.



# FlexRET 8-fold

## 86010167

A flexible, integrated solution for adjusting the electrical downtilt of FlexRET antennas.

- Compliant to 3GPP / AISG 2.0 – AISG 3\*
- Daisy Chain feasibility
- Single RETs or Multi RET displayed
- Pre-configured
- Individual user-specific configuration possible:
  - Antenna tilt consolidations for RET control of several arrays by one RET-subunit



[ericsson.com/antenna-system](https://ericsson.com/antenna-system)



Scan or [click](#)

|                                 |              |  |
|---------------------------------|--------------|--|
| <b>Product No.</b>              |              | <b>86010167</b>  |
| Protocols                       |              | compliant to 3GPP / AISG 2.0 – AISG 3*   |
| Logical interface ex factory    |              | 3GPP / AISG 2.0  |
| Operates as                     |              | Single RETs or Multi RET   |
| Ex factory                      |              | Single RETs  |
| Input voltage range             | V            | 10 ... 30 (pin 6)  |
| Power consumption               | W            | Typically < 1; < 10 (motor activated)  |
| Connectors                      |              | 2 x 8 pin connector according to IEC 60130-9; according to AISG-C 485<br>Daisy chain in: male; Daisy chain out: female |
| Hardware interfaces             |              | RS 485A/B (pin 5, pin 3);<br>power supply (pin 6); DC return (pin 7);<br>according to AISG / 3GPP                      |
| Adjustment time<br>(full range) | sec          | 40<br>(typically, depending on antenna type)   |
| Adjustment cycles               |              | > 20,000   |
| Temperature range               | °C           | -40 ... +60  |
| Protection class                |              | IP 24 (installed)  |
| Lightning protection            |              | AISG interface (each pin)<br>8 kA (8/20 µs) according to IEC 61000-4-5   |
| Housing material                |              | Profile: Aluminum anodized; cover: Aluminum die cast coated  |
| Weight                          | g<br>lb      | 380<br>0.84  |
| Packing size<br>(H x W x D)     | mm<br>inches | 245 x 93 x 102<br>9.6 x 3.6 x 4  |
| Dimensions<br>(H x W x D)       | mm<br>inches | 142 x 71 x 51<br>5.6 x 2.8 x 2   |

**This device is not compatible to antennas with FlexRET 86010153 or 86010153v01. These FlexRET devices can not be replaced by 86010167.**

**Non-observance can damage the antenna and the RET device.**

**Please note:**

If the Primary which controls the FlexRET system does not support the default ex-factory interface setting, then the FlexRET must be switched to the appropriate standard of the Primary before installation. Please contact Ericsson for further information.

The FlexRET needs to be powered by a LPS (Limited Power Source, Class: P2) according to IEC/EN 62368-1.

If the FlexRET of an antenna has to be replaced, it is necessary to configure the FlexRET manually.

\*FlexRET 86010167 does not support AISG 3 feature MALD.

Standards: EN 62368-1 (Safety)  
EN 60950-22 (Safety – Equipment installed outdoor)  
ETSI EN 301489-1 (EMI)  
ETS 300019-1-4 (Environmental)  
EN 50364 (Health)

Certification: CE, FCC

Scope of supply: FlexRET

Optional: Site Sharing Adapter (86010154 or 86010155) to create independent logical interfaces at one antenna or site. Makes it possible to operate with more than one independent Node B. Operation in AISG 2.0 mode only.

**Please note:**

In general, the addressing of the FlexRET is automatically performed. Only in case the FlexRET is manually addressed, the serial number has to be extended by the corresponding colour coding extension (e.g. CSG351234-R1). The respective information can be found on the site documentation which is included in the scope of supply.



# Torque Screwdriver for RET Cable, 1 N, (only for 860... cables)

85010080



[ericsson.com/antenna-system](https://ericsson.com/antenna-system)



Scan or [click](#)



With the torque screwdriver, Ericsson connecting cables can be easily fixed with the recommended torque of 1 Nm.

|   |         |   |
|---|---------|---|
| <b>Product No.</b>                          |         | <b>85010080</b>   |
| Connectors                                  |         | Usable for connectors with longitudinal knurl             |
| Tightening torque for fixing the connectors |         | 1 Nm<br>Signal as soon as the specified torque is reached |
| Factory setted torque                       |         | 1 Nm  |
| Length                                      | mm   in | 205   8.1   |
| Weight                                      | g   lb  | 113   0.24  |
| Scope of supply                             |         | Torque screwdriver, assembly bit                          |



# Portable Control Adapter (PCA)

86010046



[ericsson.com/antenna-system](https://ericsson.com/antenna-system)



Scan or [click](#)

**Portable Control Adapter**

|  |              |  |  |
|--|--------------|--|--|
| <b>Product No.</b>                         |              | <b>86010046</b>  |  |
| Connector * to RCU/TMA                     |              | 1x 8-pin connector according to IEC 60130-9, female, conforming to AISG RF-connector (SMB male)  |  |
| Input voltage of PCA                       | V DC         | 24   |  |
| Output voltage to RCU's/TMA's              | V DC         | AISG female pin 6 (24 V DC): 24 ±10%<br>AISG female pin 1 (12 V DC): 14 ±7%<br>RF male (at 24 V DC): 24 ±10% ***<br>RF male (at 12 V DC): 14 ±7% ***                           |  |
| Output power (power supply to RCU's/TMA's) | W            | AISG female pin 6 (24 V DC) without load on pin 1 (12 V DC) and on RF-plug: ≤ 60<br>AISG female Pin 1 (12 V DC) with max. 30 W load on pin 6 (24 V DC) and/or on RF plug: ≤ 30 |  |
| Current monitoring measurement level       | mA           | Per branch (12 V, 24 V, RF): 10 – 2500   |  |
| Over-current protection                    |              | Per branch (12 V, 24 V, RF): < 2500  |  |
| Interface to RCU/TMA                       |              | RS 485 / power supply / RF connector (SMB male)  |  |
| Protocol to RCU/TMA                        |              | HDLC hex-coded command set, conforming to AISG 1.1 and 3GPP / AISG 2.0   |  |
| Interface to PC                            |              | USB 1.1/2.0  |  |
| Max. number of RCU's/TMA's                 |              | 27/3 pcs., depending on system configuration and length of control cable   |  |
| Max. length of control cable               | m   ft       | 9 RCU's (in daisy chain configuration): 200   656.17<br>6 RCU's (in splitter configuration): 150   492.13  |  |
| Weight                                     | g   lb       | 535   1.2 (incl. external power adapter)   |  |
| Temperature range                          | °C           | 0 ... +55 ambient temperature  |  |
| Height x width x depth                     | mm<br>inches | 40 x 95 x 160<br>1.57 x 3.74 x 6.29  |  |
| External power supply **                   |              | Input: 90 – 264 V AC, 47 – 63 Hz<br>24 V DC / 3.0 A  |  |

\* Tightening torque for fixing the connector must be 0.5 – 1.0 Nm ('hand-tightened').  
The connector should be tightened by hand only!

\*\* If powered via AISG-interface, no external power supply is required.

\*\*\* Switchable with software

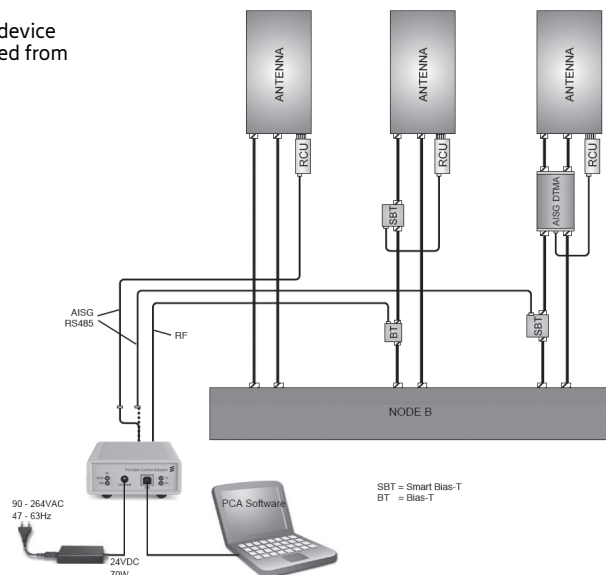
Certificate: CE  
FCC part 15 class B  
UL (for external power adapter)

Standards: EN 60950-1  
EN 55022  
EN 55024

System requirements for PCA Software: Windows XP or later version

Scope of supply: PCA  
External power supply (24 V DC / 70 W)  
USB cable  
AC power cable  
Installation guide

Please note: The latest PCA application software, the device driver and PCA manual can be downloaded from [www.ericsson.com/antenna-system](http://www.ericsson.com/antenna-system)



SBT = Smart Bias-T  
BT = Bias-T



# Antenna Line Configurator (ALC)

86010158

- AISG 2 / AISG 3
- HDLC-logging feature
- High-resolution display
- Wi-Fi and USB interface



[ericsson.com/antenna-system](https://ericsson.com/antenna-system)



Scan or [click](#)

**Antenna Line Configurator**

|  |  |                                     |
|--|--|-------------------------------------|
| <b>Product No.</b>                         | <b>86010158</b>  |                                     |
| Connector* to RCU/TMA                      | 1 x 8-pin connector according to IEC 60130-9, female, conforming to AISG RF-connector (SMB male) |                                     |
| Input voltage of ALC                       | 24 V DC  |                                     |
| Display                                    | High-resolution display, sunlight visible  |                                     |
| Tiltsensor                                 | Measuring range $\pm 80^\circ$ , accuracy $\pm 1^\circ$  |                                     |
| Output voltage to RCU's/TMA's              | AISG female pin 6:<br>24 $\pm$ 1 V DC  | RF-plug:<br>24 $\pm$ 1 V DC         |
| Output power (power supply to RCU's/TMA's) | RF-plug + AISG female pin 6 $\leq$ 15 W  |                                     |
| Current monitoring measurement level       | AISG female pin 6, RF-plug: 10 – 650 mA  |                                     |
| Over-current protection                    | AISG female pin 6, RF-plug: < 650 mA   |                                     |
| Interface to RCU/TMA                       | RS 485 / power supply / RF connector (SMB male)  |                                     |
| Protocol to RCU/TMA                        | HDLC hex-coded command set, conforming to 3GPP / AISG 2 and AISG 3                               |                                     |
| Interface                                  | W-LAN (802.11g), USB 2.0   |                                     |
| Max. number of RCU's/TMA's                 | 9/1 pcs., depending on system configuration and length of control cable                          |                                     |
| Max. length of control cable               | 200 m / 9 RCU's (in daisy chain configuration)<br>150 m / 6 RCU's (in splitter configuration)    |                                     |
| Internal memory                            | MB   | 512                                 |
| Weight                                     | kg   lb  | 1   2.2                             |
| Protection class                           | IP 54  |                                     |
| Temperature range (operating)              | $^\circ\text{C}$   | -20 ... +45 ambient temperature     |
| Temperature range (charging)               | $^\circ\text{C}$   | 10 ... +40 ambient temperature      |
| Dimensions (H x W x D)                     | mm   in  | 265 x 102 x 37   10.4 x 4.0 x 1.5   |
| Packing size                               | mm   in  | 405 x 290 x 105   15.9 x 11.4 x 4.1 |
| Power supply                               | LiPo-battery (16.6 V, > 1850 mAh)  |                                     |

\* Tightening torque for fixing the connector must be 0.5–1.0 Nm ('hand-tightened').  
The connector should be tightened by hand only!

**Please Note:**

The user manual can be downloaded from our website: [www.ericsson.com/antenna-system](http://www.ericsson.com/antenna-system)

**Certificate:**

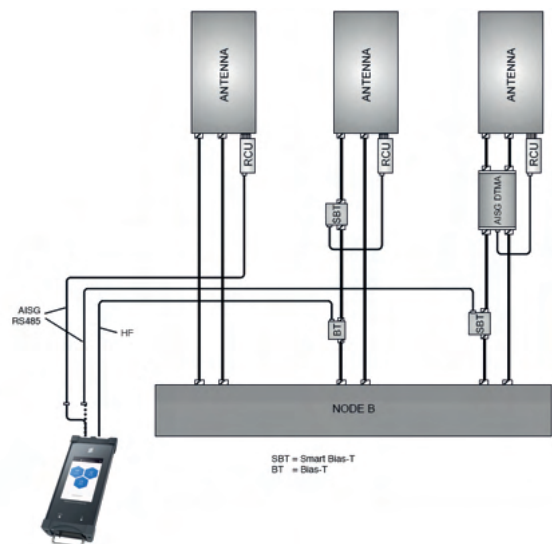
CE  
FCC  
UL (for external power adapter)

**Standards:**

EN 60950-22  
EN 62368-1  
EN 62479  
EN 50581  
ETSI EN 301489-1  
ETSI EN 301489-17  
ETSI EN 300328 2.1.1

**Scope of supply:**

ALC  
Charging device (can also be used as external power supply)  
USB cable  
RET cable  
HF cable (SMB / 7-16)  
Transport case  
Screen cover





# Antenna Monitoring Unit AMU

86010129



[ericsson.com/antenna-system](https://ericsson.com/antenna-system)



Scan or [click](#)

GPS/GLONASS based Antenna Monitoring Unit to monitor base station antennas in the field.

- Compatible to most Ericsson passive antennas (see incompatibility list here)
- Compact size
- Easy to adapt onto an antenna
- BTS time sync via GPS clock
- AISG 2.0 device according to AISG Extension AISG-ES-ASD v2.2.0 and AISG-ES-GLS v2.2.0.

### Antenna Monitoring Unit AMU

|                                  |              |  |
|----------------------------------|--------------|--|
| <b>Product No.</b>               |              | <b>86010129</b>  |
| <b>Monitoring Unit</b>           |              |  |
| Receiver Type                    |              | L1, C/A code   |
| Channels                         |              | 72 channel, GPS and GLONASS parallel tracking  |
| Used Geodetic System             |              | WGS 84   |
| Horizontal Accuracy              | m            | ± 10   |
| Azimuth Accuracy*                | °            | ± 5  |
| Tilt- Roll Accuracy*             | °            | ± 2  |
| Altitude Accuracy*               | m            | ± 5  |
| First start (after installation) | h            | 3 – 12   |
| Connector                        |              | 2x 8 pin connector according to IEC 60130-9; according to AISG C485; Daisy chain in: male; Daisy chain out: female |
| Hardware Interfaces              |              | RS 485 A/B (pin 5, pin 3); power supply (pin 6); DC return (pin 7); according to AISG / 3GPP                       |
| Input Voltage Range              | V            | 10...30 DC (pin 6)   |
| Power Consumption                | W            | < 2  |
| Protocols                        |              | AISG 2.0   |
| Protection Class                 |              | IP 65  |
| Environmental Temperature Range  | °C           | -40 – +55  |
| Lightning Protection             |              | AISG interface (each pin)<br>2.5 kA (10/350 µs)<br>8 kA (8/20 µs)  |
| <b>BTS Time Sync</b>             |              |  |
| Frequency Range                  | MHz          | 1572 – 1608 (GPS and GLONASS)  |
| LNA Gain                         | dB           | 27 ± 3   |
| Noise Figure                     | dB           | Typ. 3   |
| Supply Voltage                   | V            | 4 – 6 V DC   |
| DC Current                       | mA           | < 80   |
| Non-destruction Supply Voltage   | V            | -32 ... +32 V DC   |
| Lightning Protection             | kA           | 2.5 (10/350 µs)<br>8 (8/20 µs)   |
| Connector                        |              | SMA female   |
| <b>Housing Material</b>          |              |  |
| Housing Material                 |              | ALU, ASA   |
| Weight                           | kg   lb      | 1.6   3.5  |
| Packing Size                     | mm<br>inches | 400 x 190 x 136<br>15.7 x 7.5 x 5.4  |
| Dimensions (H x W x D)           | mm<br>inches | 65.8 x 355.7 x 143.2<br>2.6 x 14.0 x 5.6   |
| <b>Scope of Supply</b>           |              |  |
| AMU                              |              | 1 pc.  |
| Adapter Plate                    |              | 1 pc.  |

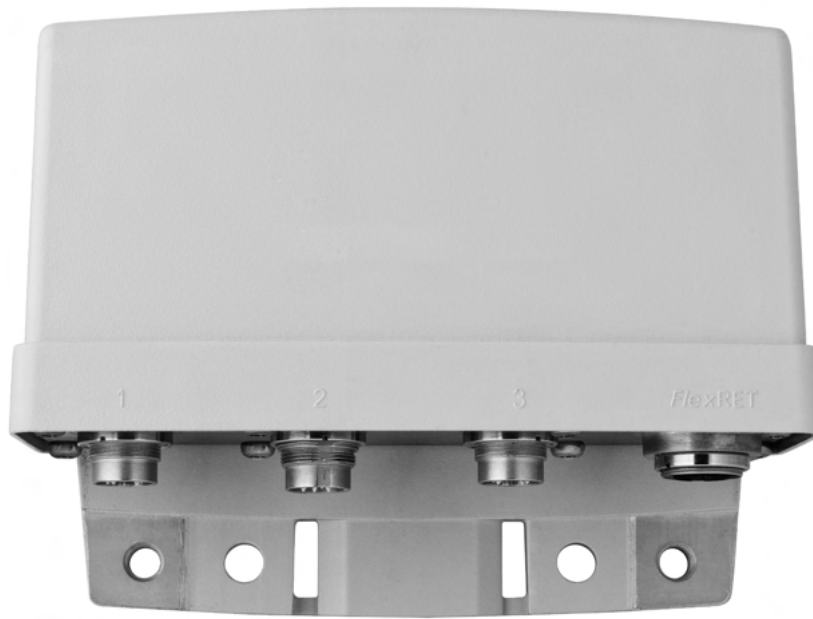
\* Depends on multipath environment, number of satellites in view; satellite geometry, ionospheric activity and use of SBAS.

**Please note:** Please follow the user manual for installation and operating details. The AMU needs to be powered by a LPS (Limited Power Source, Class: PS2) according to IEC/EN 62368-1.

Standards: IEC/EN 62368-1 (Safety),  
EN 60950-22 (Safety – Equipment installed outdoor),  
EN 55024 (Immunity),  
ETS 300019-1-4 class 4.1 and 4.2 H (Environmental).

EU-RED: Hereby, Ericsson declares that the radio equipment type 86010129 is in compliance with Directive 2014/53/EU.  
The full text of the EU declaration of conformity is available and can be requested at the following address: mobilcom.eag@ericsson.com

Certification: CE, FCC



# Site Sharing Adapter 3-way

86010154

- Compliant to AISG 1.1 and 3GPP/AISG 2.0
- Selectable arrangement of arrays
- Single RETs or Multi RET displayed
- Possible for up to three FlexRETs (daisy chain)



[ericsson.com/antenna-system](https://ericsson.com/antenna-system)



Scan or [click](#)



|  |              |  |
|--|--------------|--|
| <b>Product No.</b>   |              | <b>86010154</b>  |
| Protocols  |              | compliant to AISG 1.1 and 3GPP/AISG 2.0  |
| Logical interface ex factory   |              | 3GPP/AISG 2.0  |
| Input voltage range  | V            | 10 ... 30 (pin 1, pin 6)   |
| Power consumption  | W            | < 3 (stand by); < 12 (motor activated)   |
| Connectors   |              | 4x 8 pin connector according to IEC 60130-9; according to AISG<br>In: male; Out: female                  |
| Hardware interfaces  |              | RS 485A/B (pin 5, pin 3);<br>power supply (pin 1, pin 6); DC return (pin 7);<br>according to AISG / 3GPP |
| Temperature range  | °C   °F      | -40 ... +60   -40 ... +140   |
| Protection class   |              | IP 54 (installed)  |
| Lightning protection   |              | AISG interface (each pin)<br>2.5 kA (10/350 µs)<br>8 kA (8/20 µs)  |
| Max. cable length<br>(Site Sharing Adapter to<br>last FlexRET Antenna) | m<br>ft      | 150<br>492   |
| Housing material   |              | Cover: Aluminum die cast coated  |
| Weight   | g   lb       | 650   1.4 lb   |
| Dimensions<br>(H x W x D)  | mm<br>inches | 123 x 166 x 62<br>4.8 x 6.5 x 2.4  |
| Packing size   | mm<br>inches | 160 x 250 x 100<br>6.3 x 9.8 x 3.9 inches  |

**Please note:**

The Site Sharing Adapter can exclusively be used with FlexRET antennas. The FlexRET output of the Site Sharing Adapter needs to be directly connected to the FlexRET antenna. For selecting the arrangement of the antenna arrays, a separate software application is available.

The Site Sharing Adapter expands the AISG interface of max. three FlexRETs up to three AISG interfaces for three independent AISG primaries. The alignment of antenna arrays can be configured individually.

For site sharing with antennas which have 7 or 8 arrays, Site Sharing Adapter Firmware from version FW\_V02.03.00 is needed. The latest firmware and update information for the Site Sharing Adapter are provided via our customer portal on [www.ericsson.com/antenna-system](http://www.ericsson.com/antenna-system)

Only FlexRET devices from firmware version FW\_V02.01.00 are suitable for operation with the Site Sharing Adapter.

- The firmware version can be queried through the AISG command "get information".
- The latest firmware version for FlexRET can be downloaded at [www.ericsson.com/antenna-system](http://www.ericsson.com/antenna-system)
- FlexRET Antennas with firmware version FW\_V02.00.XX must be updated before the initial setup of the Site Sharing Adapter. The FlexRET device will not be detected otherwise.
- A firmware update can be performed with a corresponding primary (e.g. Node B) or Controller (e.g. Ericsson ALC, -PCA).

Standby power for Site Sharing Adapter and FlexRET system is taken by the BTS with the highest DC input voltage. When the motor is in operation, the electrical power is allocated fairly to the base stations, according to the individual input. The Site Sharing Adapter can not be used in combination with an AISG splitter. For the connection of the Site Sharing Adapter and the FlexRETs, a standard AISG cable shall be used.

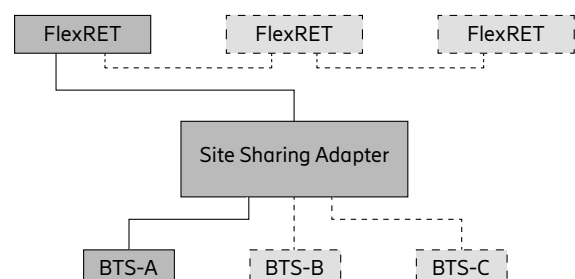
The latest configuration software and the manual with detailed configuration information are provided via our customer portal on [www.ericsson.com/antenna-system](http://www.ericsson.com/antenna-system)

Additional earthing may be needed depending on the used installation. Please follow the guidelines given in the manual.

Standards: EN 60950-1 (Safety),  
EN 60950-22 (Safety – Equipment installed outdoor)  
EN 55022 (Emission),  
EN 55024 (Immunity),  
ETS 300019-1-4 (Environmental),  
UL 60950-1; 1<sup>st</sup> edition

Certification: CE, FCC

Scope of supply: Site Sharing Adapter, tension band





# Site Sharing Adapter 6-way

86010155

- Compliant to AISG 1.1 and 3GPP/AISG 2.0
- Selectable arrangement of arrays
- Single RETs or Multi RET displayed
- Possible for up to three FlexRETs (daisy chain)



[ericsson.com/antenna-system](https://ericsson.com/antenna-system)



Scan or [click](#)

|  |  |  |
|--|--|--|
| <b>Product No.</b>   | <b>86010155</b>  |  |
| Protocols  | compliant to AISG 1.1 and 3GPP/AISG 2.0  |  |
| Logical interface ex factory                                     | 3GPP/AISG 2.0  |  |
| Input voltage range  | V  | 10 ... 30 (pin 1, pin 6)               |
| Power consumption  | W  | < 3 (stand by); < 12 (motor activated) |
| Connectors   | 7x 8 pin connector according to IEC 60130-9; according to AISG<br>In: male; Out: female                  |  |
| Hardware interfaces  | RS 485A/B (pin 5, pin 3);<br>power supply (pin 1, pin 6); DC return (pin 7);<br>according to AISG / 3GPP |  |
| Temperature range  | °C   °F  | -40 ... +60   -40 ... +140             |
| Protection class   | IP 54 (installed)  |  |
| Lightning protection   | AISG interface (each pin)<br>2.5 kA (10/350 µs)<br>8 kA (8/20 µs)  |  |
| Max. cable length (Site Sharing Adapter to last FlexRET Antenna) | m<br>ft  | 150<br>492                             |
| Housing material   | Cover: Aluminum die cast coated  |  |
| Weight   | g   lb   | 1350   3.0 lb                          |
| Dimensions (H x W x D)   | mm<br>inches   | 156 x 265 x 65<br>6.1 x 10.3 x 2.6     |
| Packing size   | mm<br>inches   | 195 x 360 x 110<br>7.7 x 14.2 x 4.3    |

**Please note:**

The Site Sharing Adapter can exclusively be used with FlexRET antennas. The FlexRET output of the Site Sharing Adapter needs to be directly connected to the FlexRET antenna. For selecting the arrangement of the antenna arrays, a separate software application is available.

The Site Sharing Adapter expands the AISG interface of max. three FlexRETs up to three AISG interfaces for six independent AISG primaries. The alignment of antenna arrays can be configured individually.

For site sharing with antennas which have 7 or 8 arrays, Site Sharing Adapter Firmware from version FW\_V02.03.00 is needed. The latest firmware and update information for the Site Sharing Adapter are provided via our customer portal on [www.ericsson.com/antenna-system](http://www.ericsson.com/antenna-system)

Only FlexRET devices from firmware version FW\_V02.01.00 are suitable for operation with the Site Sharing Adapter.

- The firmware version can be queried through the AISG command "get information".
- The latest firmware version for FlexRET can be downloaded from the Ericsson website.
- FlexRET Antennas with firmware version FW\_V02.00.XX must be updated before the initial setup of the Site Sharing Adapter. The FlexRET device will not be detected otherwise.
- A firmware update can be performed with a corresponding primary (e.g. Node B) or Controller (e.g. Ericsson ALC, -PCA).

When the motor is in operation, the electrical power is allocated fairly to the base stations, according to the individual input. The Site Sharing Adapter can not be used in combination with an AISG splitter. For the connection of the Site Sharing Adapter and the FlexRETs, a standard AISG cable shall be used.

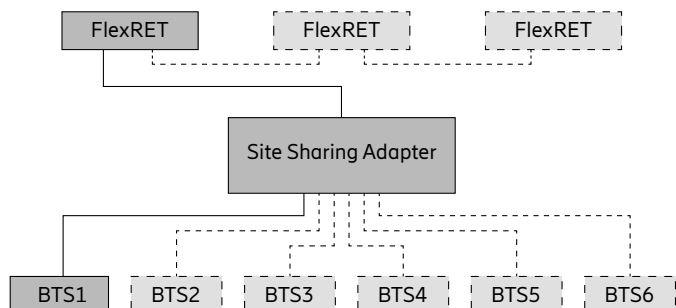
The latest configuration software and the manual with detailed configuration information are provided via our customer portal on [www.ericsson.com/antenna-system](http://www.ericsson.com/antenna-system)

Additional earthing may be needed depending on the used installation. Please follow the guidelines given in the manual.

Standards: EN 60950-1 (Safety),  
EN 60950-22 (Safety – Equipment installed outdoor)  
EN 55022 (Emission),  
EN 55024 (Immunity),  
ETS 300019-1-4 (Environmental),  
UL 60950-1; 1<sup>st</sup> edition

Certification: CE, FCC

Scope of supply: Site Sharing Adapter, tension band





# Gender Adapter for FlexRET

86010162



[ericsson.com/antenna-system](https://ericsson.com/antenna-system)



Scan or [click](#)

Converts the AISG out (female) to an AISG in (male) port in order to operate the FlexRET with two BTS.  
Not compatible with 86010167.

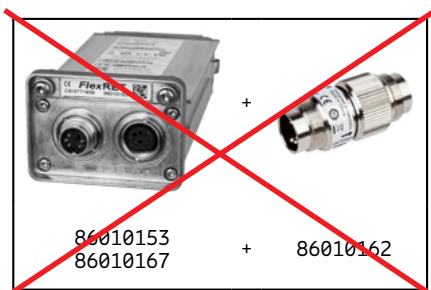
|                                     |              |   |
|-------------------------------------|--------------|---|
| <b>Product No.</b>                  |              | <b>86010162</b>   |
| <b>Protocols</b>                    |              | compliant to 3GPP/AISG 2.0  |
| <b>Input voltage range</b>          | V            | 10 ... 30 (pin 6)   |
| <b>Connectors</b>                   |              | 1x 8 pin connector (male) according to IEC 60130-9;<br>according to AISG C485<br>1x 8 pin connector (female) according to IEC 60130-9;<br>according to AISG C485<br>Female mates with FlexRET |
| <b>Hardware interfaces</b>          |              | RS 485A/B (pin 5, pin 3);<br>power supply (pin 6); DC return (pin 7);<br>according to AISG / 3GPP   |
| <b>Temperature range</b>            | °C           | -40 ... +60   |
| <b>Protection class</b>             |              | IP 67 (installed)   |
| <b>Surge current capability</b>     |              | AISG interface (each pin) in combination with FlexRET<br>2.5 kA (10/350 µs)<br>8 kA (8/20 µs) according to IEC 61000-4-5  |
| <b>Housing material</b>             |              | Connector shell: Zinc die cast Ni plated;<br>Contacts: Ag plated  |
| <b>Weight</b>                       | g   lb       | 45   0.099  |
| <b>Packing size<br/>(H x W x D)</b> | mm<br>inches | 43 x 20 x 20<br>1.7 x 0.78 x 0.78   |
| <b>Dimensions<br/>(H x W x D)</b>   | mm<br>inches | 43 x 20 x 20<br>1.7 x 0.78 x 0.78   |

**Standards:** EN 60950-1 (Safety)  
EN 60950-22 (Safety – Equipment installed outdoor)  
ETS 300019-1-4 (Environmental)  
UL 60950-1; 1<sup>st</sup> edition

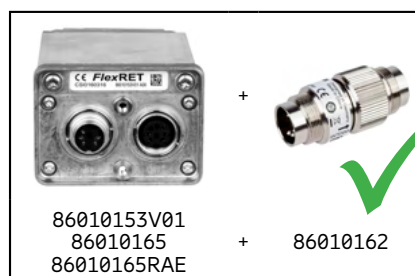
**Certification:** CE

**Scope of supply:** Gender Adapter

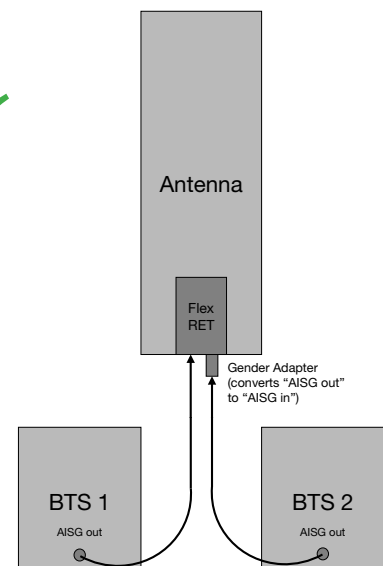
**Notice:** The Gender Adapter is solely to be used in combination with the FlexRET modules. A combination with the FlexRET module 86010153 and 86010167, must be avoided since this could lead to unexpected behaviour in the FlexRET module and could cause overvoltage in the primary power supply. For avoidance of doubt, the combination with 86010153 or 86010167, with exception of the FlexRET modules 86010153V01, 86010165 and 86010165RAE, could lead to a damage. In no event will Ericsson, its affiliates and/or subsidiaries be liable for direct, incidental, consequential, special, indirect damages arising from or relating to the combination with another module except FlexRET modules 86010153V01, 86010165 and 86010165RAE. These limitations will apply even if Ericsson has been advised of the possibility of such damages and whether such damages are foreseeable or not.



In combination with 86010153 and 86010167:  
Gender Adapter is not usable.



In combination with 86010153V01, 86010165 and 86010165RAE:  
Gender Adapter can be used.





# Port Extender for FlexRET

KRY 121 108/1



[ericsson.com/antenna-system](https://ericsson.com/antenna-system)



Scan or [click](#)

Port Extender allows daisy chaining of FlexRET 86010153V01, 86010165 and 86010165RAE when the FlexRET operates with two BTS. G-in and G-out is converting the AISG-out (female) of FlexRET to an AISG-in while maintaining the daisy chain capability on this port. Not compatible with 86010167.

|                                   |              |   |
|-----------------------------------|--------------|---|
| Product No.                       |              | KRY 121 108/1   |
| Protocols                         |              | compliant to 3GPP/AISG 2.0; AISG 3  |
| Input voltage range               | V            | 10 ... 30 (pin 6)   |
| Connectors                        |              | 4x 8 pin connector according to IEC 60130-9; according to AISG C485<br>Daisy chain in: male; Daisy chain out: female<br>Daisy chain G-in: male; Daisy chain G-out: female |
| Hardware interfaces               |              | RS 485A/B (pin 5, pin 3);<br>power supply (pin 6); DC return (pin 7);<br>according to AISG / 3GPP   |
| Temperature range                 | °C           | -40 ... +60   |
| Protection class                  |              | IP 67 (installed)   |
| Surge current capability          |              | AISG interface (each pin) in combination with FlexRET<br>2.5 kA (10/350 µs)<br>8 kA (8/20 µs) according to IEC 61000-4-5  |
| Weight                            | g<br>lb      | 150<br>0.33   |
| Dimensions approx.<br>(H x W x D) | mm<br>inches | 50.5 x 70 x 54<br>1.9 x 1.5 x 2.1   |

Standards: EN 60950-1 (Safety)  
EN 60950-22 (Safety – Equipment installed outdoor)  
ETS 300019-1-4 (Environmental)  
UL 60950-1; 1<sup>st</sup> edition

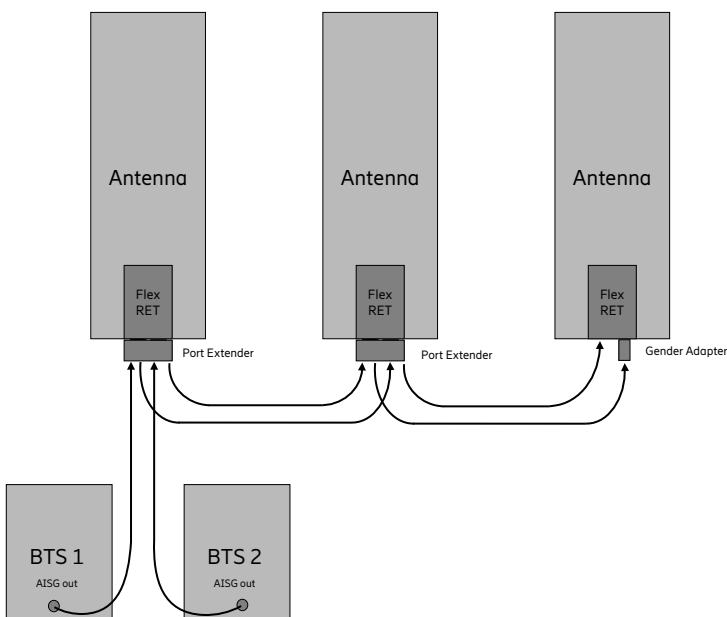
Certification: CE

Scope of supply: Port Extender

**Notice:**

The Port Extender is solely to be used in combination with the FlexRET modules. A combination with the FlexRET module 86010153 and 86010167, must be avoided since this could lead to unexpected behaviour in the FlexRET module and could cause overvoltage in the primary power supply.

For avoidance of doubt, the combination with 86010153 or 86010167, with exception of the FlexRET modules 86010153V01, 86010165 and 86010165RAE, could lead to a damage. In no event will Ericsson, its affiliates and/or subsidiaries be liable for direct, incidental, consequential, special, indirect damages arising from or relating to the combination with another module except FlexRET modules 86010153V01, 86010165 and 86010165RAE. These limitations will apply even if Ericsson has been advised of the possibility of such damages and whether such damages are foreseeable or not.





# Lightning Protection Device (LPD) for Remote Electrical Tilt (RET)

86010030



[ericsson.com/antenna-system](https://ericsson.com/antenna-system)



Scan or [click](#)



The device is designed for lightning protection of control cables carrying partial lightning currents up to 25 kA (shield) and 2.5 kA (inner conductor), according IEC 61643-1, IEC 61312-3. Each pin is protected individually.

#### Lightning Protection Device for RET

|   |  |                                   |
|---|--|-----------------------------------|
| Product No.                                     | 86010030   |                                   |
| Connectors <sup>1)</sup>                        | 2x 8 pin connector according IEC 60130-9, input: male, output: female  |                                   |
| SPD-Type  | 8 x bipolar gas tube   |                                   |
| Max. impuls current                             | 25 kA (housing, shield) (10/350 µs)<br>inner conductors: 2.5 kA/pin (10/350 µs)  |                                   |
| Max. dynamic overvoltage at spark gap (1 kV/µs) | V  | < 700                             |
| Static overvoltage (100 V/s)                    | V  | < 100                             |
| Grounding                                       | Via mounting plate / clamps at metallic surfaces or via separate cable, min. cross-section 5 mm <sup>2</sup> Cu (screw M6) |                                   |
| Max. operation current                          | A  | 4 at 50 °C                        |
| Max. operation voltage                          | V  | 60                                |
| Protection class                                | IP 55  |                                   |
| Weight  | g   lb   | 250   0.55                        |
| Packing size                                    | mm   in  | 114 x 117 x 117   4.5 x 4.7 x 4.7 |
| Dimensions (w x h x d)                          | mm   in  | 91 x 103 x 72   3.5 x 4.05 x 2.9  |

<sup>1)</sup> The tightening torque for fixing the connector must be 0.5 – 1.0 Nm ('hand-tightened'). The connector should be tightened by hand only!

**Material:** Connector plate: Aluminum.  
Cap: Plastic.

**Mounting:** Mast mounting (50 – 145 mm diameter) by clamp.  
Wall mounting by screws (not supplied).

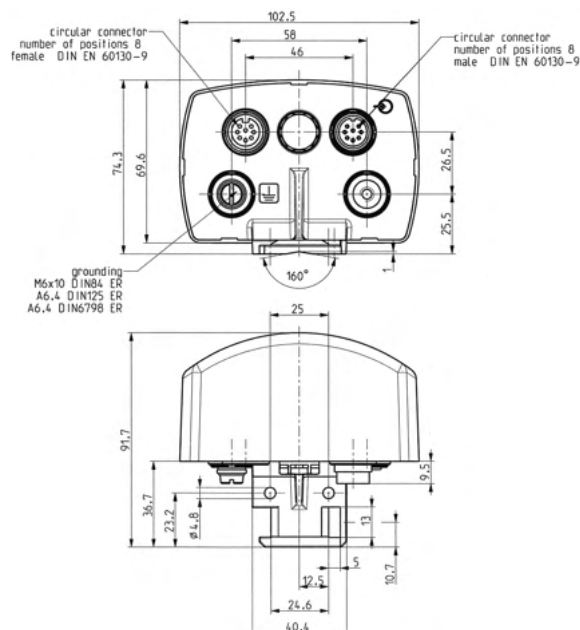
**Note:** No decoupling elements are integrated. The coordination with additional LPD's (device input) should be checked according to IEC 61312.

Grounding of the device via the mounting plate at metallic surfaces or via additional grounding cable (not included in the delivery extend).

Connectors must be situated at the bottom. No inverted mounting possible.

Important: A control cable with a minimum length of 2 meters is required between Lightning Protection Device and Central Control Unit at the BTS to achieve the required decoupling.

**Scope of supply:** Lightning Protection Device  
Clamp (50 ... 145 mm)





# RET control cable

86010011, ...



[ericsson.com/antenna-system](https://ericsson.com/antenna-system)



Scan or [click](#)

## For indoor and outdoor use

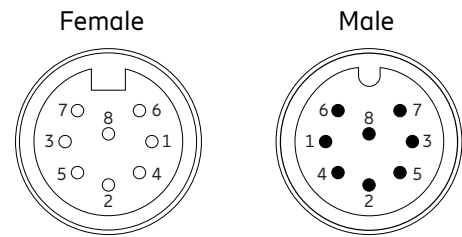
## RET Cable for power supply and control

|   |   |
|---|---|
| Product No.                                 | 86010011, ...   |
| Connectors                                  | 2x 8 pin connector<br>according IEC 60130-9, female/male  |
| Tightening torque for fixing the connectors | 0.5 – 1 Nm<br>(The connector should be tightened by hand or by special torque scredriver)                       |
| Construction                                | Screen<br>1x twisted pair 100 Ω/1 MHz<br>2x power supply, 1x ground<br>AWM style 20317 I/II A/B + 20549 + 20233 |
| Rated current                               | 4 A (power supply)<br>(at 50 °C air temperature)  |
| Temperature range                           | -40 °C to +80 °C, (fixed position)  |
| Protection class                            | IP 67 (connected)   |
| Cable diameter                              | 8 mm  |
| Flammability                                | VL 1581 VW-1<br>CSA FT 1  |
| Color                                       | Black, similar to RAL 9005  |

Minimum bending radius: One time 60 mm,  
several times 120 mm.

The male and female connectors of all Ericsson RET products are compatible components which are designed to operate under the environmental conditions as described in ETS 300 019-1-4 class 4.1 E.

| Length | Color | Product No. |
|--------|-------|-------------|
| 0.5 m  | black | 86010054    |
| 20 m   | black | 86010032    |
| 25 m   | black | 86010011    |
| 40 m   | black | 86010012    |
| 50 m   | black | 86010033    |
| 60 m   | black | 86010013    |
| 80 m   | black | 86010014    |
| 100 m  | black | 86010015    |



## PIN assignment according AISG:

- 1 +13 V DC (+12 V DC nominal)
- 2 not connected
- 3 RS485 B
- 4 not connected
- 5 RS485 A
- 6 +29 V DC (+24 V DC nominal)
- 7 DC Return
- 8 not connected



**Optional:**  
Torque screwdriver for AISG connecting cable  
(Product No. 85010080).  
With the torque screwdriver, Ericsson connecting  
cables can be easily fixed with the recommended  
torque of 1 Nm.



Old style connector:  
Torque screwdriver not  
usable



New style connector:  
Torque screwdriver usable

# RET control cable

1/TSR48421/xxxx, black

1/TSR48422/xxxx, grey



[ericsson.com/antenna-system](https://ericsson.com/antenna-system)



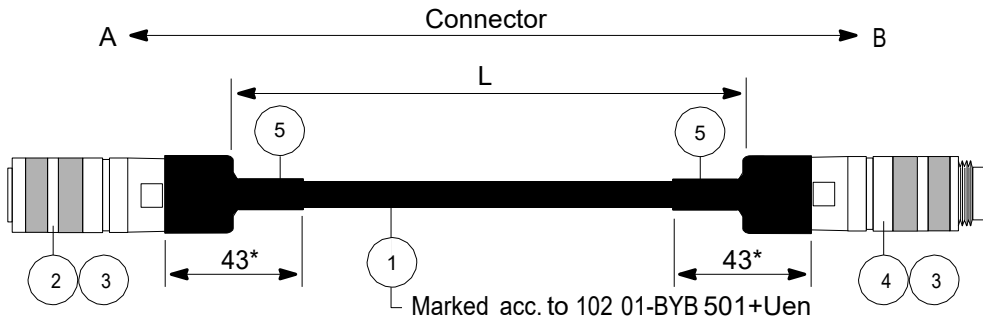
Scan or [click](#)

**Vital Safety Requirements**

This Assembly Shall Be Approved As A Recognized Wiring Harness According To Ericsson Specification.

**Mechanical Design**

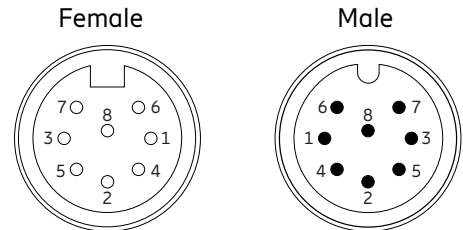
Length L, See Product Number And R-State (Clause 4) Length Tolerances Acc. To 1030-Tsr 101 + Uen



\*) The max. length after shrinkage (molding) is 43±3 mm.

NOTE! It is important to secure that item 5 shrinks down on the cable completely and its adhesive melts and makes a waterproof sealing.

| Length | Color | Product No.     |
|--------|-------|-----------------|
| 1 m    | black | 1/TSR48421/1000 |
| 1 m    | grey  | 1/TSR48422/1000 |
| 10 m   | black | 1/TSR48421/10M  |
| 15 m   | black | 1/TSR48421/15M  |
| 15 m   | grey  | 1/TSR48422/15M  |
| 2 m    | black | 1/TSR48421/2000 |
| 2 m    | grey  | 1/TSR48422/2000 |
| 3 m    | black | 1/TSR48421/3000 |
| 3 m    | grey  | 1/TSR48422/3000 |
| 5 m    | black | 1/TSR48421/5000 |

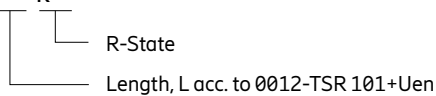


**PIN assignment according AISG:**

- 1 not connected
- 2 not connected
- 3 RS485 B
- 4 not connected
- 5 RS485 A
- 6 +29 V DC (+24 V DC nominal)
- 7 DC Return
- 8 not connected

NOTE! ALL THE DIMENSIONS OF THE INCLUDED CONNECTORS (RNT 148 07/x AND RPT 148 07/x) SHOULD BE IN ACCORDANCE WITH THE DIMENSIONS STATED IN IEC 60130-9 STANDARD.

1/TSR 484 21/==== R==



## Mounting Accessories

| Product No. | Product Name           | Pole Diameter | Page                |
|-------------|------------------------|---------------|---------------------|
| Clamps      |                        |               |                     |
| 731651      | Clamp L/M              | 28–60 mm      | <a href="#">865</a> |
| 738546      | Clamp L/M/H            | 42–115 mm     | <a href="#">865</a> |
| 85010002    | Clamp L/M/H            | 110–220 mm    | <a href="#">865</a> |
| 85010003    | Clamp L/M/H            | 210–380 mm    | <a href="#">865</a> |
| 85010111    | Clamp XM               | 55–115 mm     | <a href="#">867</a> |
| 85010096    | Clamp XH               | 55–115 mm     | <a href="#">869</a> |
| 85010097    | Clamp XH               | 110–220 mm    | <a href="#">871</a> |
| 85010101    | Clamp XH               | 210–380 mm    | <a href="#">873</a> |
| K742263     | 3-Sector Clamp Kit L/M | 88.9 mm       | <a href="#">875</a> |
| K742317     | 3-Sector Clamp Kit L/M | 88.9 mm       | <a href="#">875</a> |
| 742033      | 3-Sector Clamp Kit L/M | 114.3 mm      | <a href="#">875</a> |
| 742034      | 3-Sector Clamp Kit L/M | 139.7 mm      | <a href="#">875</a> |
| 85010058    | 3-Sector Clamp Kit H   | 114.3 mm      | <a href="#">875</a> |
| 85010059    | 3-Sector Clamp Kit H   | 139.7 mm      | <a href="#">875</a> |
| 85010102    | 3-Sector Clamp Kit XH  | 114.3 mm      | <a href="#">877</a> |
| 734360      | Tension Band           | 34–60 mm      | <a href="#">879</a> |
| 734365      | Tension Band           | 45–125 mm     | <a href="#">879</a> |
| 734364      | Tension Band           | 120–140 mm    | <a href="#">879</a> |

## Mounting Accessories

| Product No.                    | Product Name                             | Page                |
|--------------------------------|--|---------------------|
| <b>Downtilt Kits</b>           |  |                     |
| 732327                         | Downtilt Kit L                           | <a href="#">881</a> |
| 737978                         | Downtilt Kit L/M                         | <a href="#">883</a> |
| 85010009                       | Downtilt Kit H                           | <a href="#">885</a> |
| 85010110                       | Downtilt Kit XM                          | <a href="#">887</a> |
| 85010099                       | Downtilt Kit XH                          | <a href="#">889</a> |
| 85010112                       | Uptilt joint for Downtilt Kit XM/XH      | <a href="#">891</a> |
| 85010513                       | Spacer for Downtilt Kit XM               | <a href="#">893</a> |
| 85010512                       | Spacer for Downtilt Kit XH               | <a href="#">893</a> |
| <b>Azimuth Adjustment Kits</b> |  |                     |
| 85010014                       | Azimuth Adjustment Kit pole mounting L/M | <a href="#">895</a> |
| 85010015                       | Azimuth Adjustment Kit pole mounting H   | <a href="#">895</a> |
| 85010016                       | Azimuth Adjustment Kit wall mounting L/M | <a href="#">895</a> |
| 85010017                       | Azimuth Adjustment Kit wall mounting H   | <a href="#">895</a> |
| 85010098                       | Azimuth Adjustment Kit XH                | <a href="#">897</a> |
| <b>Offsets</b>                 |  |                     |
| 85010060                       | Offset L/M                               | <a href="#">899</a> |
| 85010061                       | Offset H                                 | <a href="#">899</a> |
| SXA 216 3025/1                 | Offset XM                                | <a href="#">901</a> |
| 85010104                       | Offset XH                                | <a href="#">903</a> |

# Mounting Accessories

| Product No.       | Product Name                                   | Page                |
|-------------------|--|---------------------|
| Other Accessories |  |                     |
| 742113            | 2-Panel Mounting Kit L/M                       | <a href="#">905</a> |
| 85010075          | 2-Panel Mounting Kit L/M                       | <a href="#">907</a> |
| 85010076          | 2-Panel Mounting Kit H                         | <a href="#">907</a> |
| 85010087          | 2-Panel Mounting Kit H                         | <a href="#">909</a> |
| 85010103          | 2-Panel Mounting Kit XH 110-220mm              | <a href="#">911</a> |
| 85010108          | 2-Panel Mounting Kit XH 210-380mm              | <a href="#">911</a> |
| 85010213V01       | MIK (Mechanical Integration Kit) for Nokia MAA | <a href="#">913</a> |
| 81610014          | Protection Cap 7-16                            | <a href="#">915</a> |
| 78211293          | Protection Cap 7-16                            | <a href="#">917</a> |
| 78211297          | Protection Cap 4.3-10                          | <a href="#">919</a> |
| 85010004          | Protection Cap RET Spindle (5pcs)              | <a href="#">921</a> |











## Mounting Configurations



## Mounting Accessories – Overview

| Type   | Windload Classification       | Pole Diameter in mm | Product No. | Remark  | Page                |
|--|-------------------------------|---------------------|-------------|---|---------------------|
| Clamp<br>                           | L/M (Light/Medium)            | ∅ 28–60             | 731651      |   | <a href="#">865</a> |
|  | L/M/H<br>(Light/Medium/Heavy) | ∅ 42–115            | 738546      |   |                     |
|  |                               | ∅ 110–220           | 85010002    |   |                     |
|  |                               | ∅ 210–380           | 85010003    |   |                     |
| Clamp<br>                           | XM (X-Medium)                 | ∅ 55–115            | 85010111    |   | <a href="#">867</a> |
|  | XH (X-Heavy)                  | ∅ 55–115            | 85010096    |   | <a href="#">869</a> |
|  | XH (X-Heavy)                  | ∅ 110–220           | 85010097    |   | <a href="#">871</a> |
|  | XH (X-Heavy)                  | ∅ 210–380           | 85010101    |   | <a href="#">873</a> |
| 3-Sector Clamp<br>                  | L/M (Light/Medium)            | ∅ 88.9              | K742263     |   | <a href="#">875</a> |
|  |                               | ∅ 88.9              | K742317     |   |                     |
|  |                               | ∅ 114.3             | 742033      |   |                     |
|  |                               | ∅ 139.7             | 742034      |   |                     |
|  | H (Heavy)                     | ∅ 114.3             | 85010058    |   |                     |
|  |                               | ∅ 139.7             | 85010059    |   |                     |
| XH (X-Heavy)   | ∅ 114.3                       | 85010102            |             | <a href="#">877</a>   |                     |
| Tension Band<br>                  | L (Light)                     | ∅ 34–60             | 734360      | only usable without downtilt kit  | <a href="#">879</a> |
|  |                               | ∅ 45–125            | 734365      |   |                     |
|  |                               | ∅ 120–140           | 734364      |   |                     |
| Downtilt Kit<br>                  | L (Light)                     |                     | 732327      | also released for uptilt mounting                                       | <a href="#">881</a> |
|  | L/M (Light/Medium)            |                     | 737978      |   | <a href="#">883</a> |
|  | H (Heavy)                     |                     | 85010009    |   | <a href="#">885</a> |
| Downtilt Kit<br>                  | XM (X-Medium)                 |                     | 85010110    | also released for uptilt mounting                                       | <a href="#">887</a> |
|  | XH (X-Heavy)                  |                     | 85010099    |   | <a href="#">889</a> |
| Uptilt Joint for Downtilt Kit<br> | XM/XH<br>(X-Medium/X-Heavy)   |                     | 85010112    | enables uptilt angles higher than 2.5° with 85010099 / 6° with 85010110 | <a href="#">891</a> |
| Spacer for Downtilt Kit<br>       | XM (X-Medium)                 |                     | 85010513    | eases mounting in „no-downtilt“ position (0°)                           | <a href="#">893</a> |
|  | XH (X-Heavy)                  |                     | 85010512    |   |                     |

## Mounting Accessories – Overview

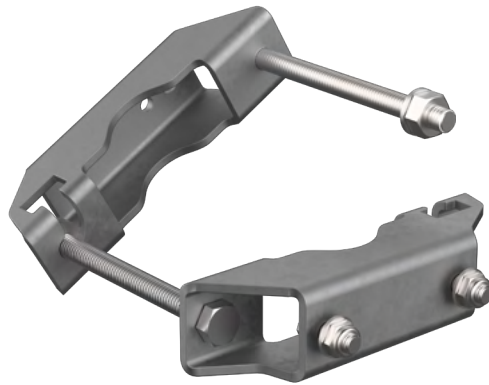
| Type  | Windload Classification | Pole Diameter in mm   |                         | Product No.    | Remark  | Page                |
|---|-------------------------|-----------------------|-------------------------|----------------|---|---------------------|
| Azimuth Adjustment Kit<br>             | L/M (Light/Medium)      |                       |                         | 85010014       | pole mounting<br>adjustment angle $\pm 30^\circ$            | <a href="#">895</a> |
|   | H (Heavy)               |                       |                         | 85010015       |   |                     |
| Azimuth Adjustment Kit<br>             | L/M (Light/Medium)      |                       |                         | 85010016       | wall mounting<br>adjustment angle $\pm 30^\circ$            | <a href="#">895</a> |
|   | H (Heavy)               |                       |                         | 85010017       |   |                     |
| Azimuth Adjustment Kit<br>             | XH (X-Heavy)            |                       |                         | 85010098       | pole mounting<br>adjustment angle $\pm 30^\circ$            | <a href="#">897</a> |
| Offset<br>                             | L/M (Light/Medium)      |                       |                         | 85010060       | increases clearance<br>between pole and<br>antenna          | <a href="#">899</a> |
|   | H (Heavy)               |                       |                         | 85010061       |   | <a href="#">901</a> |
|   | XM (X-Medium)           |                       |                         | SXA 216 3025/1 |   | <a href="#">903</a> |
|   | XH (X-Heavy)            |                       |                         | 85010104       |   | <a href="#">903</a> |
| 2-Panel Mounting Kit<br>             | L/M (Light/Medium)      | max. Panel width 160  |                         | 742113         | mounts two panel<br>antennas side by side                   | <a href="#">905</a> |
|   |                         | max. Panel width 325  |                         | 85010075       |   | <a href="#">907</a> |
|   | H (Heavy)               | max. Panel width 377  |                         | 85010076       |   | <a href="#">909</a> |
|   |                         |                       |                         | 85010087       |   | <a href="#">911</a> |
|   | XH (X-Heavy)            | $\varnothing$ 110–220 | max. Panel<br>width 378 | 85010103       |   | <a href="#">911</a> |
|   |                         | $\varnothing$ 210–380 |                         | 85010108       |   |                     |
| Mechanical Integration Kit (MIK)<br> |                         |                       |                         | 85010213V01    | for Nokia MAA and<br>antennas with panel<br>width of 448 mm | <a href="#">913</a> |
| Protection Cap<br>                   |                         |                       |                         | 81610014       | 7-16  | <a href="#">915</a> |
|   |                         |                       |                         | 78211293       | 7-16  | <a href="#">917</a> |
|   |                         |                       |                         | 78211297       | 4.3-10  | <a href="#">919</a> |
| Protection Cap<br>RET Spindle<br>    |                         |                       |                         | 85010004       | 5 pcs   | <a href="#">921</a> |

## Possible Combinations of Mounting Hardware XM and XH

|   | 85010111<br>Clamp XM | 85010096<br>85010097<br>85010101<br>Clamp XH | 85010110<br>Downtilt Kit<br>XM | 85010099<br>Downtilt Kit<br>XH | 85010112<br>Uptilt Joint<br>XM/XH | 85010102<br>3-Sector<br>Clamp Kit XH | SXA 216 3025/1<br>Offset<br>XM | 85010104<br>Offset<br>XH | 85010098<br>Azimuth Adjustment XH | 85010103<br>85010108<br>2-Panel Mounting Kit XH |
|---|----------------------|--|--------------------------------|--------------------------------|-----------------------------------|--------------------------------------|--------------------------------|--------------------------|-----------------------------------|---|
| 85010111<br>Clamp XM                            | —                    | —  | ✓                              | ✗                              | ✓                                 | —                                    | ✓                              | ✗                        | ✗                                 | —   |
| 85010096<br>85010097<br>85010101<br>Clamp XH    | —                    | —  | ✓                              | ✓                              | ✓                                 | —                                    | ✓                              | ✓                        | ✓                                 | —   |
| 85010110<br>Downtilt Kit XM                     | ✓                    | ✓  | —                              | —                              | ✓                                 | ✓ <sup>1)</sup>                      | ✗                              | ✗                        | ✗                                 | ✓   |
| 85010099<br>Downtilt Kit XH                     | ✗                    | ✓  | —                              | —                              | ✓                                 | ✓ <sup>1)</sup>                      | ✗                              | ✗                        | ✗                                 | ✓   |
| 85010112<br>Uptilt Joint XM/XH                  | ✓                    | ✓  | ✓                              | ✓                              | —                                 | ✓ <sup>1)</sup>                      | ✗                              | ✗                        | ✗                                 | ✓   |
| 85010102<br>3-Sector Clamp Kit XH               | —                    | —  | ✓ <sup>1)</sup>                | ✓ <sup>1)</sup>                | ✓ <sup>1)</sup>                   | —                                    | ✓ <sup>1)</sup>                | ✓ <sup>1)</sup>          | ✓ <sup>1)</sup>                   | ✗   |
| SXA 216 3025/1<br>Offset XM                     | ✓                    | ✓  | ✗                              | ✗                              | ✗                                 | ✓ <sup>1)</sup>                      | —                              | ✗                        | ✗                                 | ✗   |
| 85010104<br>Offset XH                           | ✗                    | ✓  | ✗                              | ✗                              | ✗                                 | ✓ <sup>1)</sup>                      | ✗                              | —                        | ✗                                 | ✗   |
| 85010098<br>Azimuth Adjustment XH               | ✗                    | ✓  | ✗                              | ✗                              | ✗                                 | ✓ <sup>1)</sup>                      | ✗                              | ✗                        | —                                 | ✗   |
| 85010103<br>85010108<br>2-Panel Mounting Kit XH | —                    | —  | ✓                              | ✓                              | ✓                                 | ✗                                    | ✗                              | ✗                        | ✗                                 | —   |
| XM Antenna                                      | ✓                    | ✓  | ✓                              | ✓ <sup>2)</sup>                | ✓                                 | ✓                                    | ✓                              | ✓ <sup>2)</sup>          | ✓ <sup>2)</sup>                   | ✓   |
| XH Antenna                                      | ✗                    | ✓  | ✗                              | ✓                              | ✓                                 | ✓                                    | ✗                              | ✓                        | ✓                                 | ✓   |

✓ OK  
✗ Not allowed

1) The use of Downtilt Kit XM / XH in combination with Offset XH / Azimuth Adjustment XH is strictly forbidden  
2) With Clamp XH / Accessories XH / Antenna XM



# Clamp L/M/H

731651, 738546, 85010002, 85010003



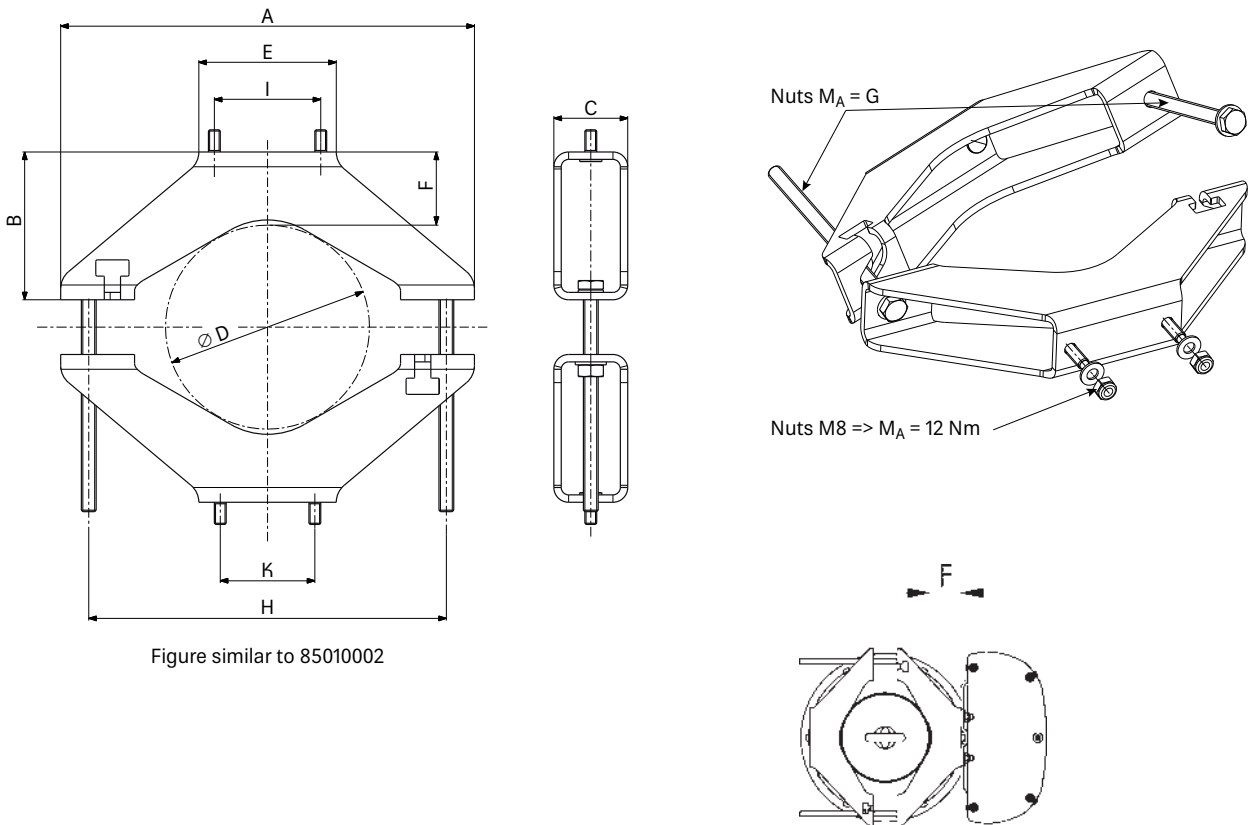
[ericsson.com/antenna-system](https://ericsson.com/antenna-system)



Scan or [click](#)

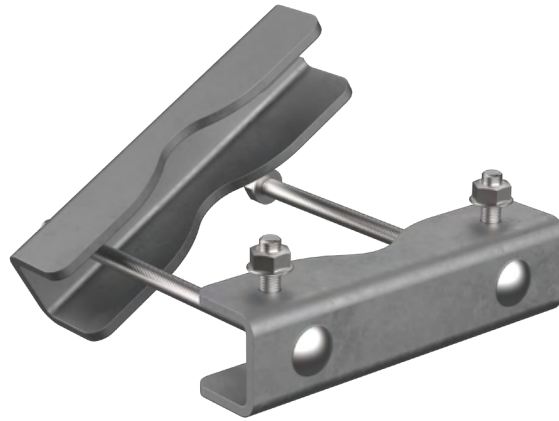
## Clamps

| Product No.                | 731651                                       | 738546                                       | 85010002                                     | 85010003                            |
|----------------------------|--|--|--|-------------------------------------|
| Suitable for mast diameter | 28–60 mm                                     | 42–115 mm                                    | 110–220 mm                                   | 210–380 mm                          |
| Antenna – mast distance F  | 25–28 mm                                     | 20–26 mm                                     | 47–55 mm                                     | 48–68 mm                            |
| Number of pieces           | 1 clamp                                      | 1 clamp                                      | 1 clamp                                      | 1 clamp                             |
| Material – Clamp           | Hot-dip galvanized steel                     | Hot-dip galvanized steel                     | Hot-dip galvanized steel                     | Hot-dip galvanized steel            |
| – Screws                   | Hot-dip galvanized steel/<br>Stainless steel | Hot-dip galvanized steel/<br>Stainless steel | Hot-dip galvanized steel/<br>Stainless steel | Stainless steel/<br>Stainless steel |
| – Nuts                     | Stainless steel                              | Stainless steel                              | Stainless steel                              | Stainless steel                     |
| Weight                     | 0.8 kg                                       | 1.1 kg                                       | 2.7 kg                                       | 4.8 kg                              |



| Product No. | A      | B      | C     | D          | E      | F        | G     | H      | I     | K     |
|-------------|--------|--------|-------|------------|--------|----------|-------|--------|-------|-------|
| 731651      | 116 mm | 40 mm  | 40 mm | 28–60 mm   | 93 mm  | 25–28 mm | 20 Nm | 84 mm  | –     | 64 mm |
| 738546      | 152 mm | 40 mm  | 40 mm | 42–115 mm  | 93 mm  | 20–26 mm | 25 Nm | 125 mm | 72 mm | 64 mm |
| 85010002    | 280 mm | 100 mm | 50 mm | 110–220 mm | 93 mm  | 47–55 mm | 35 Nm | 240 mm | 72 mm | 64 mm |
| 85010003    | 442 mm | 150 mm | 50 mm | 210–380 mm | 150 mm | 48–68 mm | 35 Nm | 392 mm | 72 mm | 64 mm |

Please note: Ericsson does not recommend to use counter nuts.  
The additional nutssupplied are only meant as spares.



# Clamp XM

85010111

pole diameter 55–115 mm



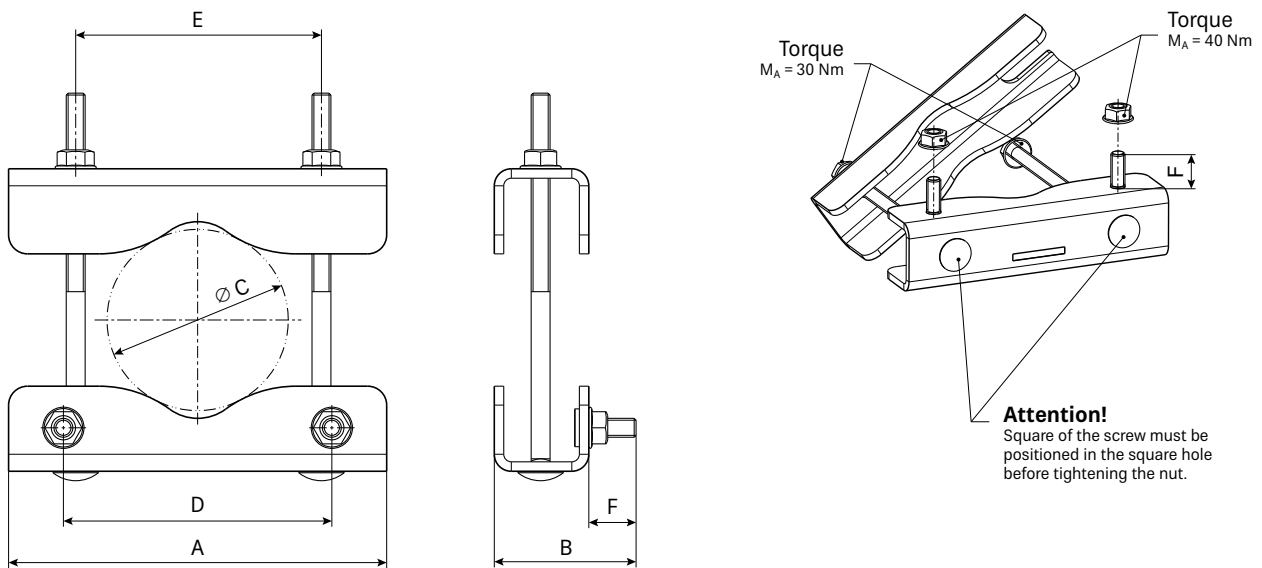
[ericsson.com/antenna-system](https://ericsson.com/antenna-system)



Scan or [click](#)

## Clamps 55–115mm XM

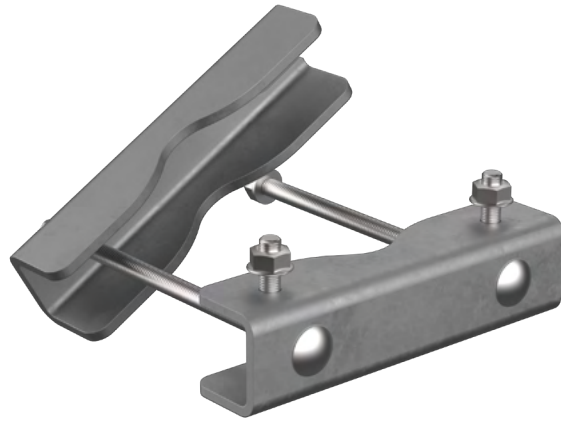
|   |              |   |  |
|---|--------------|---|--|
| Product No.                             |              | 85010111  |  |
| Suitable for mast diameter              | mm<br>inches | 55 – 115<br>2.2 – 4.5   |  |
| Scope of supply                         |              | 2 x clamps  |  |
| Material: – Clamp<br>– Screws<br>– Nuts |              | Hot-dip galvanized steel<br>Hot-dip galvanized steel<br>Stainless steel |  |
| Weight                                  | kg<br>lb     | 4.5<br>9.9  |  |



|        | A   | B   | C         | D   | E   | F    |
|--------|-----|-----|-----------|-----|-----|------|
| mm     | 200 | 75  | 55 – 115  | 142 | 130 | (25) |
| inches | 7.9 | 2.9 | 2.2 – 4.5 | 5.6 | 5.1 | (1)  |

Please note: Ericsson does not recommend to use counter nuts.





# Clamp XH

85010096

pole diameter 55–115 mm

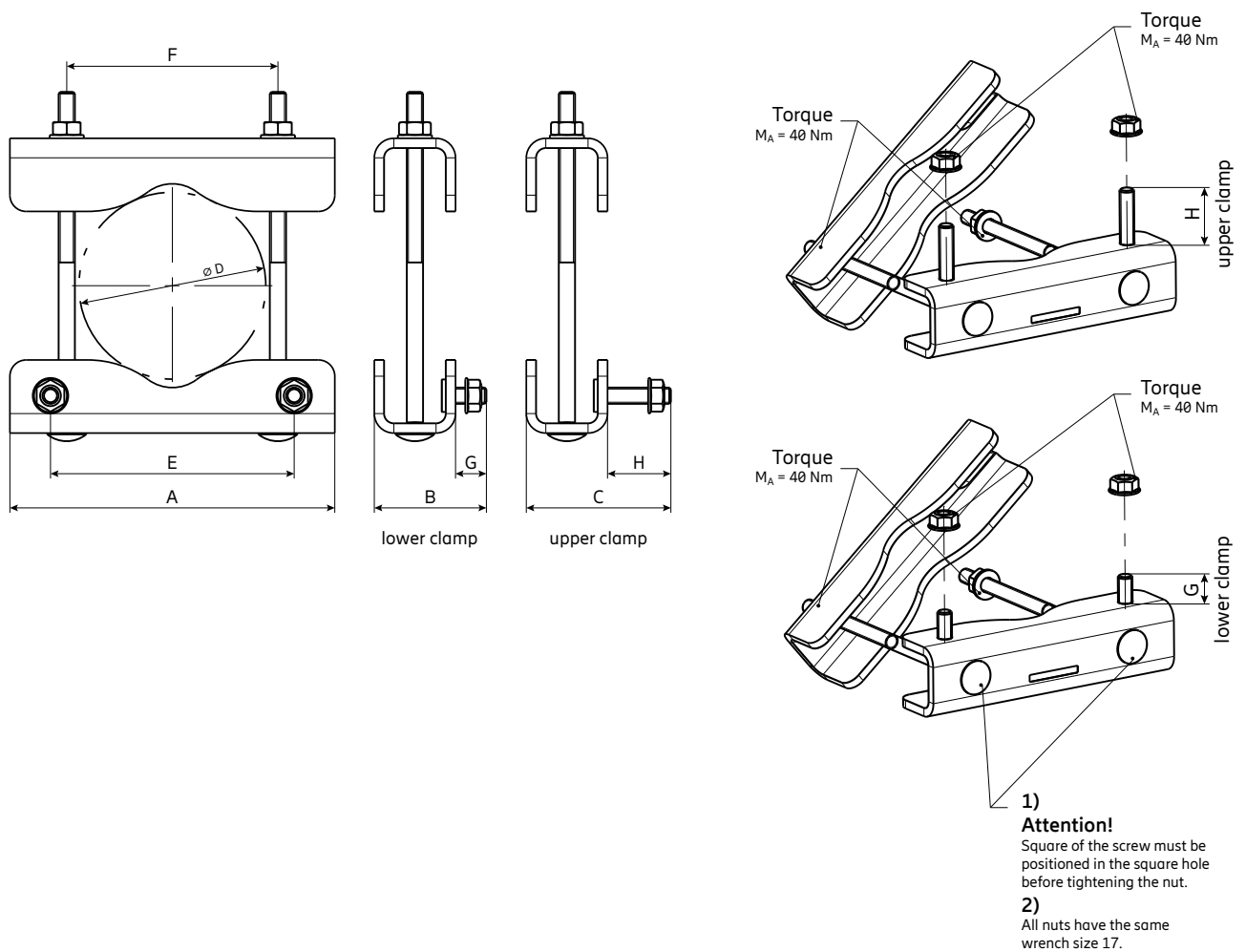


[ericsson.com/antenna-system](https://ericsson.com/antenna-system)



Scan or [click](#)

|   |              |   |
|---|--------------|---|
| <b>Product No.</b>                      |              | <b>85010096</b>   |
| Suitable for mast diameter              | mm<br>inches | 55 – 115<br>2.2 – 4.5   |
| Scope of supply                         |              | 1x lower clamp<br>1x upper clamp  |
| Material: – Clamp<br>– Screws<br>– Nuts |              | Hot-dip galvanized steel<br>Hot-dip galvanized steel<br>Stainless steel |
| Weight                                  | kg<br>lb     | 5.0<br>11.0   |



|        | A   | B   | C   | D         | E   | F   | G     | H     |
|--------|-----|-----|-----|-----------|-----|-----|-------|-------|
| mm     | 200 | 69  | 89  | 55 – 115  | 150 | 130 | (19)  | (39)  |
| inches | 7.9 | 2.7 | 3.5 | 2.2 – 4.5 | 5.9 | 5.1 | (0.7) | (1.5) |

Please note: Ericsson does not recommend to use counter nuts.

# Clamp XH

85010097

pole diameter 110–220 mm

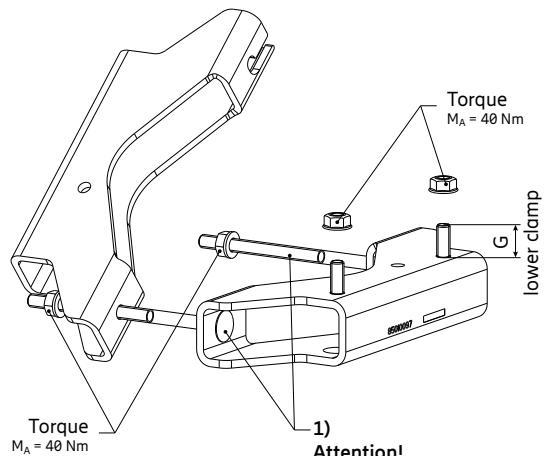
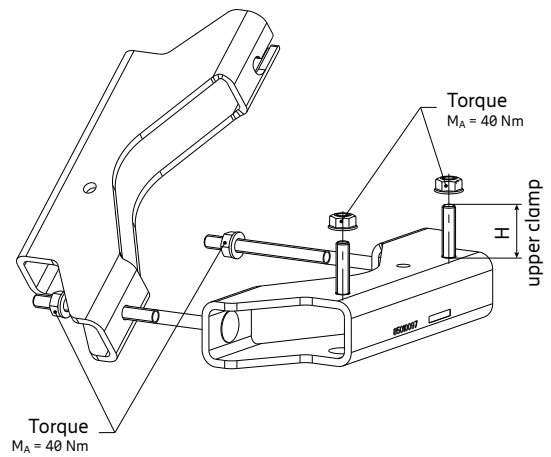
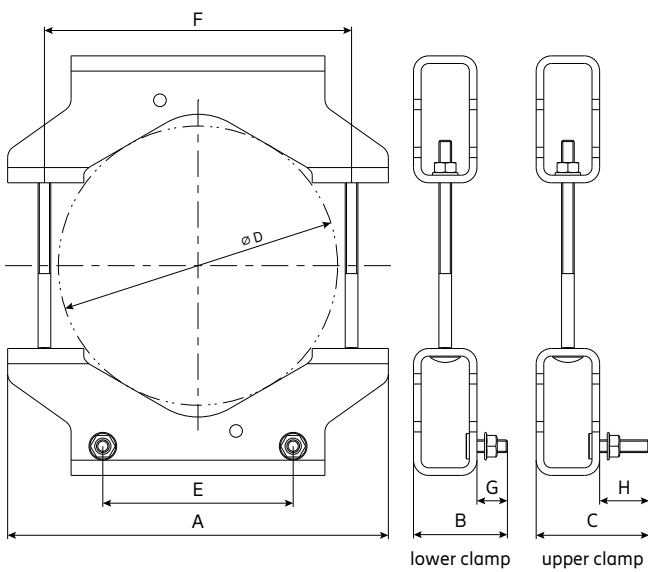


[ericsson.com/antenna-system](https://ericsson.com/antenna-system)



Scan or [click](#)

|   |              |   |
|---|--------------|---|
| <b>Product No.</b>                      |              | <b>85010097</b>   |
| Suitable for mast diameter              | mm<br>inches | 110 – 220<br>4.3 – 8.7  |
| Scope of supply                         |              | 1x lower clamp<br>1x upper clamp  |
| Material: – Clamp<br>– Screws<br>– Nuts |              | Hot-dip galvanized steel<br>Hot-dip galvanized steel<br>Stainless steel |
| Weight                                  | kg<br>lb     | 9.4<br>20.7   |



**1)**  
**Attention!**  
Square of the screw must be positioned in the square hole before tightening the nut.  
**2)**  
All nuts have the same wrench size 17.

|        | A    | B   | C   | D         | E   | F   | G     | H     |
|--------|------|-----|-----|-----------|-----|-----|-------|-------|
| mm     | 300  | 69  | 89  | 110 – 220 | 150 | 242 | (19)  | (39)  |
| inches | 11.8 | 2.7 | 3.5 | 4.3 – 8.7 | 5.9 | 9.5 | (0.7) | (1.5) |

Please note: Ericsson does not recommend to use counter nuts.

# Clamp XH

85010101

pole diameter 210–380 mm

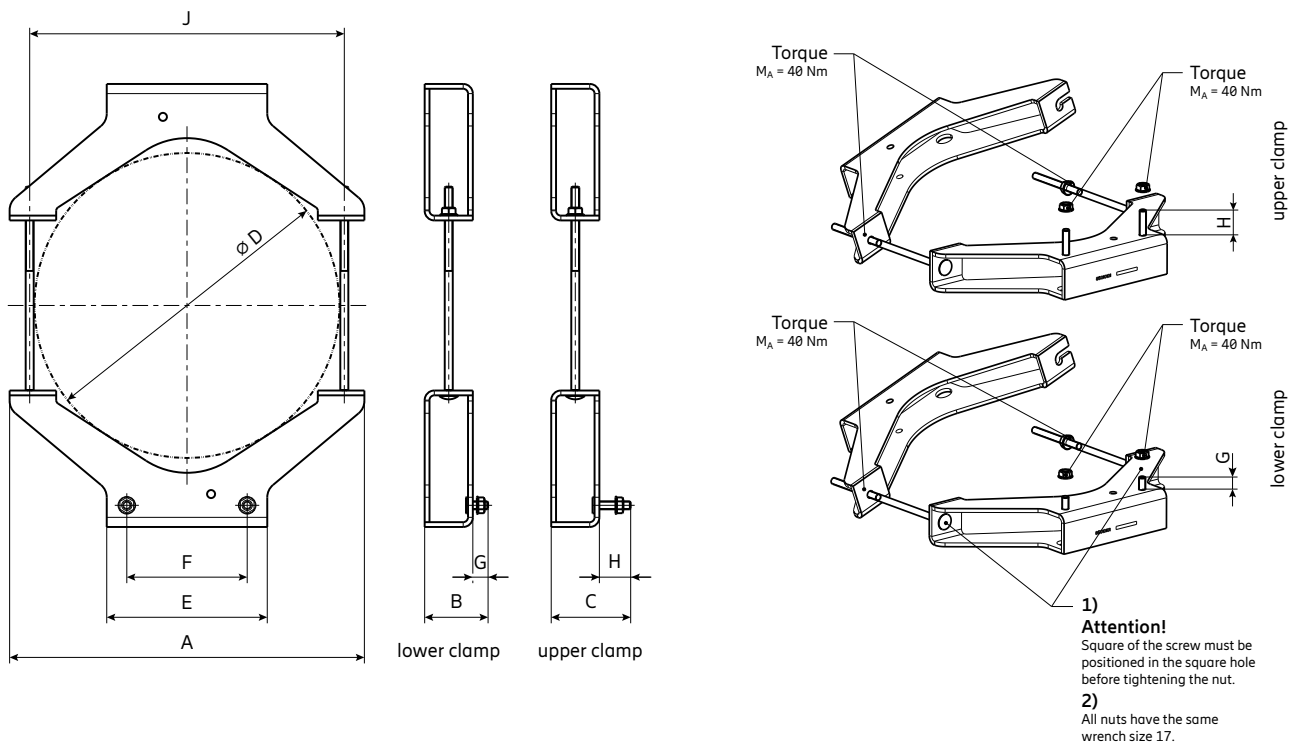


[ericsson.com/antenna-system](https://ericsson.com/antenna-system)



Scan or [click](#)

|   |              |   |
|---|--------------|---|
| <b>Product No.</b>                      |              | <b>85010101</b>   |
| Suitable for mast diameter              | mm<br>inches | 210 – 380<br>8.27 – 14.96   |
| Scope of supply                         |              | 1 x upper clamp<br>1 x lower clamp                                      |
| Material: – Clamp<br>– Screws<br>– Nuts |              | Hot-dip galvanized steel<br>Hot-dip galvanized steel<br>Stainless steel |
| Weight                                  | kg<br>lb     | 14.6<br>32.2  |



|        | A    | B   | C   | D            | E    | F   | G    | H    | J     |
|--------|------|-----|-----|--------------|------|-----|------|------|-------|
| mm     | 442  | 79  | 99  | 210 – 380    | 200  | 150 | 19   | 39   | 392   |
| inches | 17.4 | 3.1 | 3.9 | 8.27 – 14.96 | 7.87 | 5.9 | 0.75 | 1.54 | 15.43 |

Please note: Ericsson does not recommend to use counter nuts.



# 3-Sector Clamp Kit L/M/H

K742263, K742317, 742033,  
742034, 85010058, 85010059

- Slim and unobtrusive design.
- Nearly cylindrical optical appearance with small outer diameter.
- Suitable for all antennas with a panel width less than 400 mm | 15.7 inches (H<sub>max</sub>).



[ericsson.com/antenna-system](https://ericsson.com/antenna-system)



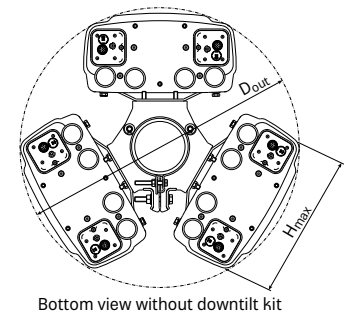
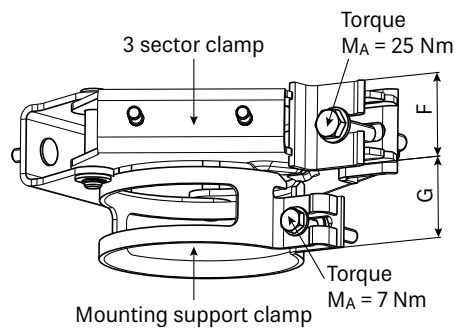
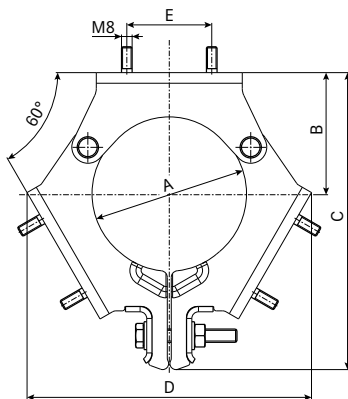
Scan or [click](#)

**3 Sector Clamp Kit (Antenna Wind load Category L and M)**

| Product No.                | K742263   | K742317   | 742033  | 742034  |
|----------------------------|---|---|---|---|
| Angle between antennas     | 120°  | 120°  | 120°  | 120°  |
| Suitable for mast diameter | 88.9 mm   3.5 inches  | 88.9 mm   3.5 inches  | 114.3 mm   4.5 inches   | 139.7 mm   5.5 inches   |
| Number of pieces           | 2 x 3 sector clamp<br>2 x mounting support clamp                                    | 2 x 3 sector clamp<br>2 x mounting support clamp                                    | 2 x 3 sector clamp<br>2 x mounting support clamp                                    | 2 x 3 sector clamp<br>2 x mounting support clamp                                    |
| Material                   | Hot-dip galvanized steel<br>Aluminum<br>Hot-dip galvanized steel<br>Stainless steel | Hot-dip galvanized steel<br>Aluminum<br>Hot-dip galvanized steel<br>Stainless steel | Hot-dip galvanized steel<br>Aluminum<br>Hot-dip galvanized steel<br>Stainless steel | Hot-dip galvanized steel<br>Aluminum<br>Hot-dip galvanized steel<br>Stainless steel |

**3 Sector Clamp Kit (Antenna Wind load Category H)**

| Product No.                | 85010058  | 85010059  |
|----------------------------|---|---|
| Angle between antennas     | 120°  | 120°  |
| Suitable for mast diameter | 114.3 mm   4.5 inches   | 139.7 mm   5.5 inches   |
| Number of pieces           | 2 x 3 sector clamp<br>2 x mounting support clamp                                    | 2 x 3 sector clamp<br>2 x mounting support clamp                                    |
| Material                   | Hot-dip galvanized steel<br>Aluminum<br>Hot-dip galvanized steel<br>Stainless steel | Hot-dip galvanized steel<br>Aluminum<br>Hot-dip galvanized steel<br>Stainless steel |



| Product No. | A           | B         | C         | D         | E        | F        | G        | Hmax       | Weight<br>kg   lb |
|-------------|-------------|-----------|-----------|-----------|----------|----------|----------|------------|-------------------|
| K742263     | 88.9   3.5  | 65   2.6  | 180   7.1 | 168   6.6 | 64   2.5 | 50   2.0 | 45   1.8 | 280   11.0 | 2.5   5.5         |
| K742317     | 88.9   3.5  | 88   3.5  | 213   8.4 | 199   7.8 | 64   2.5 | 50   2.0 | 45   1.8 | 361   14.2 | 4   8.8           |
| 742033      | 114.3   4.5 | 92   3.6  | 217   8.5 | 207   8.1 | 64   2.5 | 50   2.0 | 45   1.8 | 377   14.8 | 4   8.8           |
| 742034      | 139.7   5.5 | 100   3.9 | 236   9.3 | 228   9.0 | 64   2.5 | 50   2.0 | 45   1.8 | 400   15.7 | 4   8.8           |
| 85010058    | 114.3   4.5 | 92   3.6  | 217   8.5 | 207   8.1 | 72   2.8 | 50   2.0 | 45   1.8 | 377   14.8 | 4   8.8           |
| 85010059    | 139.7   5.5 | 100   3.9 | 236   9.3 | 228   9.0 | 72   2.8 | 50   2.0 | 45   1.8 | 400   15.7 | 4   8.8           |

All dimensions in mm | inches.

D<sub>out</sub> is determined by mounted components.

**Please note:** Panels with connector position "Rearside" fit only with downtilt kit, azimuth adjustment kit or offset mounted in-between.





# 3-Sector Clamp Kit XH

85010102

pole diameter 114.3 mm

- Slim and unobtrusive design.
- Nearly cylindrical optical appearance with small outer diameter.
- Suitable for all antennas with a panel width up to 488 mm | 19.2 inches, in combination with Offset or Downtilt Kit up to 596 mm | 23.5 inches.

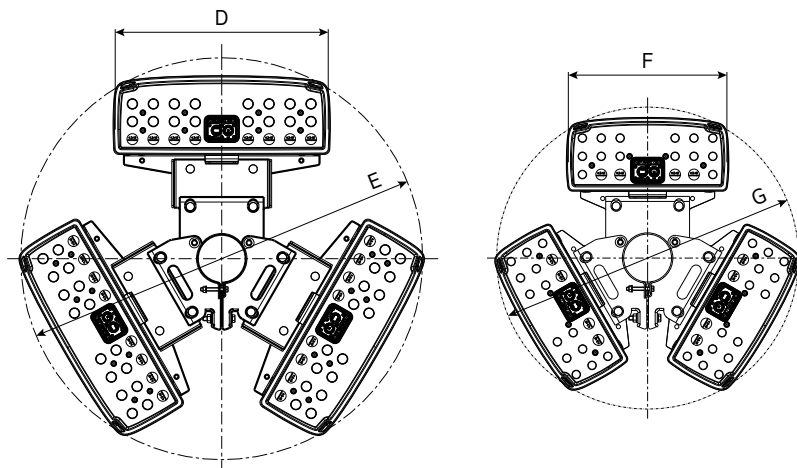
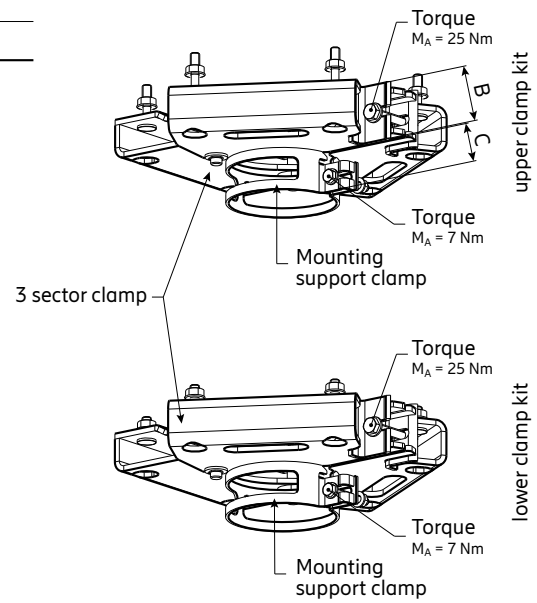
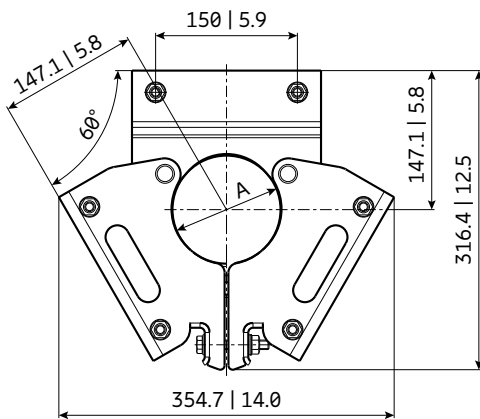


[ericsson.com/antenna-system](https://ericsson.com/antenna-system)



Scan or [click](#)

|  |         |   |
|--|---------|---|
| <b>Product No.</b>   |         | <b>85010102</b>   |
| Angle between antennas   | °       | 120   |
| Suitable for mast diameter   | mm      | 114.3   |
|  | inches  | 4.5   |
| Number of pieces   |         | 2x 3 sector clamp<br>2x mounting support clamp                                      |
| Material: – 3 sector clamp<br>– Mounting support clamp<br>– Screws / threaded stud<br>– Nuts |         | Hot-dip galvanized steel<br>Aluminum<br>Hot-dip galvanized steel<br>Stainless steel |
| Weight   | kg   lb | 14.5   31.9   |



Bottom view with offset

Bottom view without offset

| Dimensions | mm       | inches    |
|------------|----------|-----------|
| A          | ∅ 114.3  | ∅ 4.5     |
| B          | 62       | 2.4       |
| C          | 45       | 1.8       |
| D          | max. 596 | max. 23.5 |
| E          | ∅ 1005   | ∅ 39.6    |
| F          | max. 488 | max. 19.2 |
| G          | ∅ 797    | ∅ 31.4    |

All dimensions in mm | inches

**Please note:**

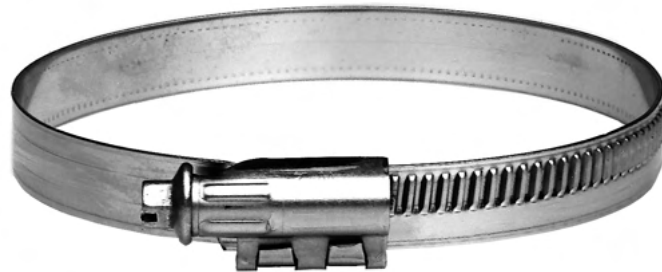
- Antennas with a panel width larger than 488 mm / 19.2 inches are only suitable in combination with offset 85010104 or downtilt kit 85010099.
- A simultaneous combination of downtilt kit and offset is not permitted.

**Possible accessories**

|          |              |
|----------|--------------|
| 85010104 | Offset       |
| 85010099 | Downtilt kit |

**Please note:**

Panels with connector position "Rearside" fit only with downtilt kit, azimuth adjustment kit or offset mounted in-between.



# Tension Band

734360, 734364, 734365

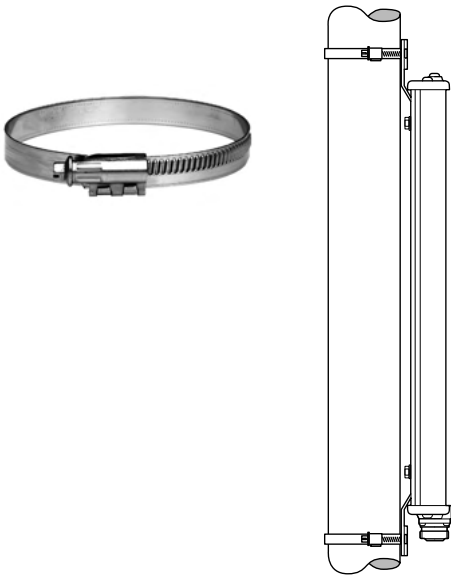


[ericsson.com/antenna-system](https://ericsson.com/antenna-system)



Scan or [click](#)

| Product No.                |        | 734360          | 734365          | 734364          |
|----------------------------|--------|-----------------|-----------------|-----------------|
| Suitable for mast diameter | mm     | 34–60           | 45–125          | 120–140         |
|                            | inches | 1.3–2.4         | 1.8–4.9         | 4.7–5.5         |
| Material                   |        | Stainless steel | Stainless steel | Stainless steel |
| Weight (approx.)           | kg     | 0.06            | 0.08            | 0.11            |
|                            | lb     | 0.13            | 0.18            | 0.24            |
| Contents                   |        | 2 pcs           | 2 pcs           | 2 pcs           |



**Please note:**  
Only usable without downtilt kit!



# Downtilt Kit L

732327



[ericsson.com/antenna-system](https://ericsson.com/antenna-system)



Scan or [click](#)

**Downtilt kit for Panel antennas with wind load category L.****Downtilt kit**

|                               |          |  |
|-------------------------------|----------|--|
| <b>Product No.</b>            |          | <b>732327</b>  |
| <b>Preferred range of use</b> |          | – Panel antennas with attached mounting plates<br>– Downtilt kit without scale for universal use |
| <b>Weight</b>                 | kg<br>lb | 1.3<br>2.9   |
| <b>Material</b>               |          | Hot-dip galvanized steel   |
| <b>Screws</b>                 |          | Hot-dip galvanized steel / stainless steel   |
| <b>Nuts / washers</b>         |          | Stainless steel  |

**Attention: The downtilt kit is not to be used together with azimuth kits or offsets.**

**Recommended torque for all bolted connections**

| <b>Screw size</b> |    | <b>Torque</b> |
|-------------------|----|---------------|
| M8                | Nm | 20            |

**Maximum acceptable load**

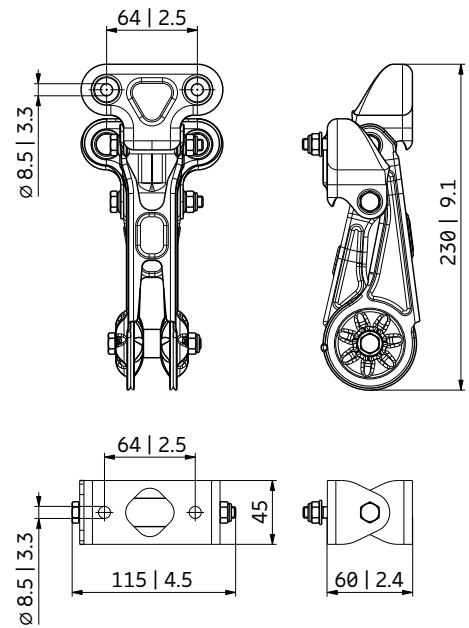
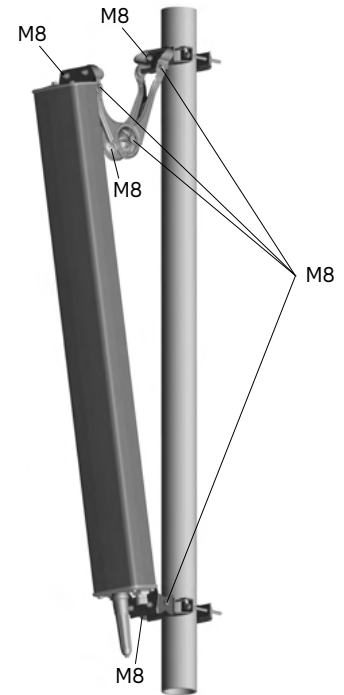
|                          |         |             |
|--------------------------|---------|-------------|
| <b>Frontal wind load</b> | N   lbf | < 725   163 |
| <b>Lateral wind load</b> | N   lbf | < 200   45  |

Before the adjustment, all joint bolts must be loosened.  
After the adjustment has been completed, all loosened bolts must be tightened.

Mounting this downtilt kit enlarges the spacing between mast and antenna by a minimum of 42 mm | 1.7 inches.

Use the downtilt kit together with the clamps as described in the antenna data-sheet.

The downtilt kit can also be used for uptilting the antenna.



All dimensions in mm | inches

**Max. possible mechanical downtilt / uptilt**

| Antenna type                        | 80020711 | 80010761 | 80010753 |
|-------------------------------------|----------|----------|----------|
| <b>Max. downtilt / uptilt angle</b> | 58°      | 46°      | 44°      |



# Downtilt Kit L/M

737978



[ericsson.com/antenna-system](https://ericsson.com/antenna-system)



Scan or [click](#)

**Downtilt kit for Panel antennas with wind load category L/M.****Downtilt kit**

|                               |  |            |
|-------------------------------|--|------------|
| <b>Product No.</b>            | <b>737978</b>  |            |
| <b>Preferred range of use</b> | – Panel antennas with attached mounting plates<br>– Downtilt kit without scale for universal use |            |
| <b>Weight</b>                 | kg<br>lb   | 2.3<br>5.1 |
| <b>Material</b>               | Hot-dip galvanized steel   |            |
| <b>Screws</b>                 | Hot-dip galvanized steel / stainless steel   |            |
| <b>Nuts / washers</b>         | Stainless steel  |            |

**Attention: The downtilt kit is not to be used together with azimuth kits or offsets.**

**Recommended torque for all bolted connections**

| <b>Screw size</b> |    | <b>Torque</b> |
|-------------------|----|---------------|
| M8                | Nm | 20            |
| M12               | Nm | 50            |

**Maximum acceptable load**

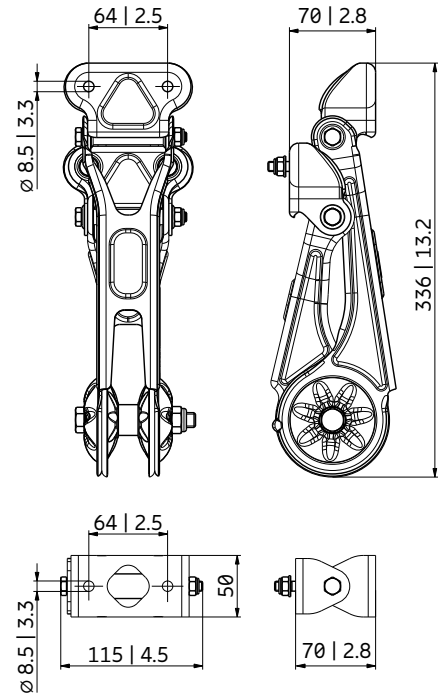
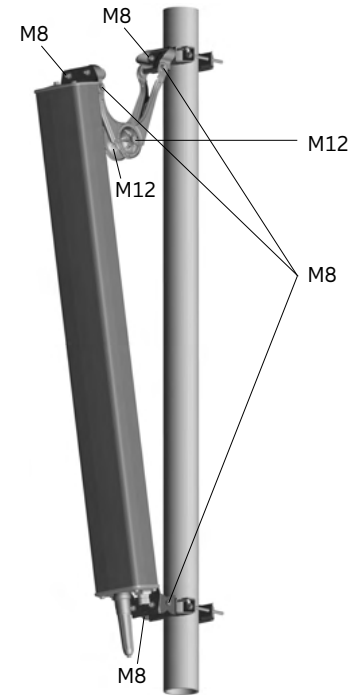
|                          |         |              |
|--------------------------|---------|--------------|
| <b>Frontal wind load</b> | N   lbf | < 1950   438 |
| <b>Lateral wind load</b> | N   lbf | < 725   163  |

Before the adjustment, all joint bolts must be loosened.  
After the adjustment has been completed, all loosened bolts must be tightened.

Mounting this downtilt kit enlarges the spacing between mast and antenna by a minimum of 70 mm | 2.8 inches.

Use the downtilt kit together with the clamps as described in the antenna data-sheet.

The downtilt kit can also be used for uptilting the antenna.



All dimensions in mm | inches

**Max. possible mechanical downtilt / uptilt**

| Antenna length class         | 1.3 m (4 ft) | 1.5 m | 1.8 m (6 ft) | 2.0 m | 2.4 m (8 ft) | 2.6 m |
|------------------------------|--------------|-------|--------------|-------|--------------|-------|
| Max. downtilt / uptilt angle | 17°          | 15°   | 12°          | 11°   | 9°           | 8°    |





# Downtilt Kit H

85010009



[ericsson.com/antenna-system](https://ericsson.com/antenna-system)

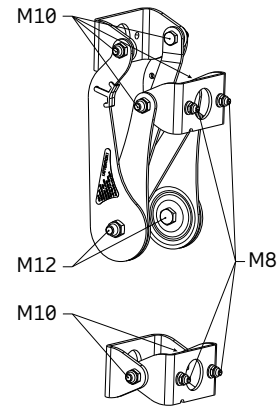


Scan or [click](#)

**Downtilt kit for Panel antennas with wind load category H.****Downtilt kit**

|                        |    |  |  |
|------------------------|----|--|--|
| <b>Product No.</b>     |    | <b>85010009</b>  |  |
| Preferred range of use |    | – Panel antennas with attached mounting plates<br>– Downtilt kit without scale for universal use |  |
| Weight                 | kg | 4.4  |  |
|                        | lb | 9.7  |  |
| Material               |    | Hot-dip galvanized steel   |  |
| Screws                 |    | Hot-dip galvanized steel / stainless steel   |  |
| Nuts                   |    | Stainless steel  |  |

**Attention: The downtilt kit is not to be used together with azimuth kits or offsets.**

**Recommended mast clamps**

| Product No. | Description | Mast diameter<br>mm   inches | Weight<br>approx. kg   lb | Units per<br>antenna |
|-------------|-------------|------------------------------|---------------------------|----------------------|
| 738546      | 1 clamp     | 42–115   1.7–4.5             | 1.1   2.4                 | 2                    |
| 85010002    | 1 clamp     | 110–220   4.3–8.7            | 2.7   6.0                 | 2                    |
| 85010003    | 1 clamp     | 210–380   8.3–14.9           | 4.8   10.6                | 2                    |

**Recommended torque for bolted connections**

| Screw size |    | Torque |
|------------|----|--------|
| M8         | Nm | 20     |
| M10        | Nm | 50     |
| M12        | Nm | 85     |

**Maximum acceptable load**

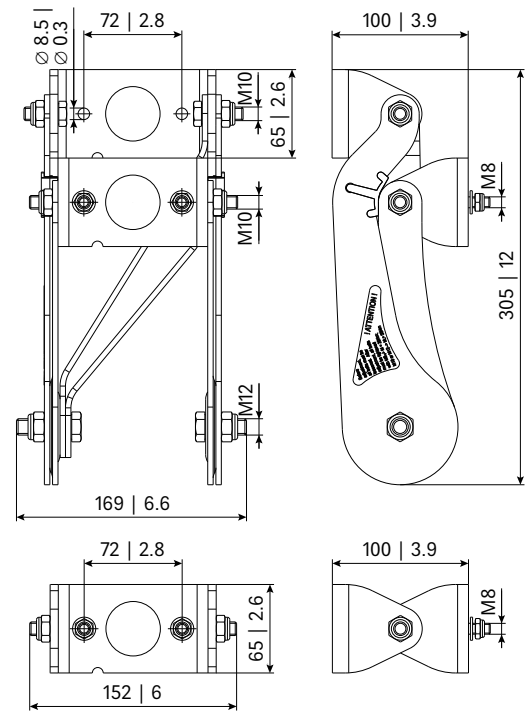
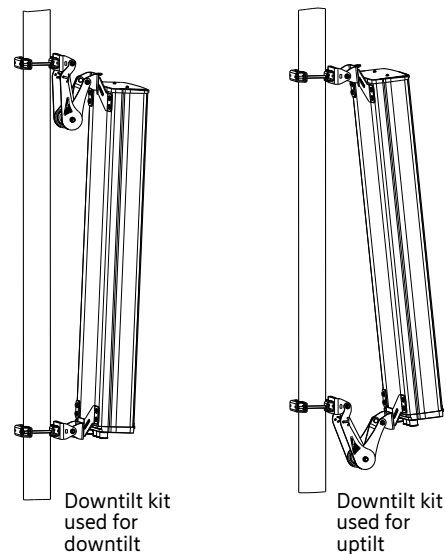
|                   |         |               |
|-------------------|---------|---------------|
| Frontal wind load | N   lbf | < 5000   1124 |
| Lateral wind load | N   lbf | < 1300   292  |

Before the adjustment, all joint bolts must be loosened.  
After the adjustment has been completed, all loosened bolts must be tightened.

Mounting this downtilt kit enlarges the spacing between mast and antenna by a minimum of 100 mm | 3.9 inches.

Use the downtilt kit together with the clamps as described in the antenna data-sheet.

The downtilt kit can also be used for uptilting the antenna.



All dimensions in mm | inches

**Max. possible mechanical downtilt / uptilt**

| Antenna length class         | 1.5 m | 1.8 m (6 ft) | 2.0 m | 2.4 m (8 ft) | 2.6 m |
|------------------------------|-------|--------------|-------|--------------|-------|
| Max. downtilt / uptilt angle | 14°   | 12°          | 11°   | 8°           | 8°    |



# Downtilt Kit XM

85010110



[ericsson.com/antenna-system](https://ericsson.com/antenna-system)

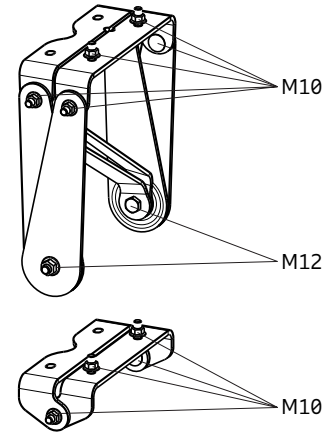


Scan or [click](#)

**Downtilt kit for Panel antennas with wind load category XM (X-Medium).****Downtilt kit**

|                               |          |  |
|-------------------------------|----------|--|
| <b>Product No.</b>            |          | <b>85010110</b>  |
| <b>Preferred range of use</b> |          | – Panel antennas with attached mounting plates<br>– Downtilt kit without scale for universal use |
| <b>Weight</b>                 | kg<br>lb | 8.5<br>18.7  |
| <b>Material</b>               |          | Hot-dip galvanized steel   |
| <b>Screws</b>                 |          | Hot-dip galvanized steel   |
| <b>Nuts</b>                   |          | Stainless steel  |

**Attention: The downtilt kit is not to be used together with azimuth kits or offsets.**

**Recommended mast clamps:**

| Product No. | Description | Mast diameter<br>mm   inches | Weight<br>approx. kg   lb | Units per<br>antenna |
|-------------|-------------|------------------------------|---------------------------|----------------------|
| 85010111    | 2 clamps    | 55 – 115   2.2 – 4.5         | 4.5   9.9                 | 1                    |
| 85010097    | 2 clamps    | 110 – 220   4.3 – 8.7        | 9.7   20.7                | 1                    |
| 85010101    | 2 clamps    | 210–380   8.3–14.9           | 14.6   32.2               | 1                    |

**Recommended torque for bolted connections**

| <b>Screw size</b> |    | <b>Torque</b> |
|-------------------|----|---------------|
| M10               | Nm | 50            |
| M12               | Nm | 85            |

**Maximum acceptable load**

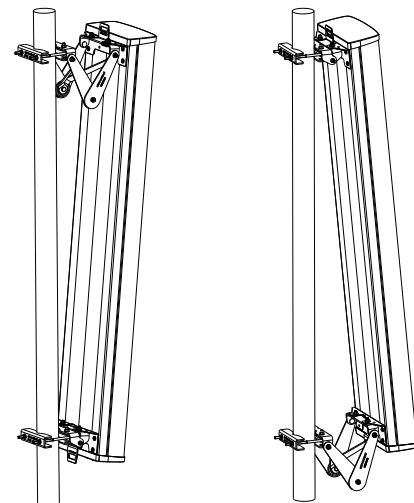
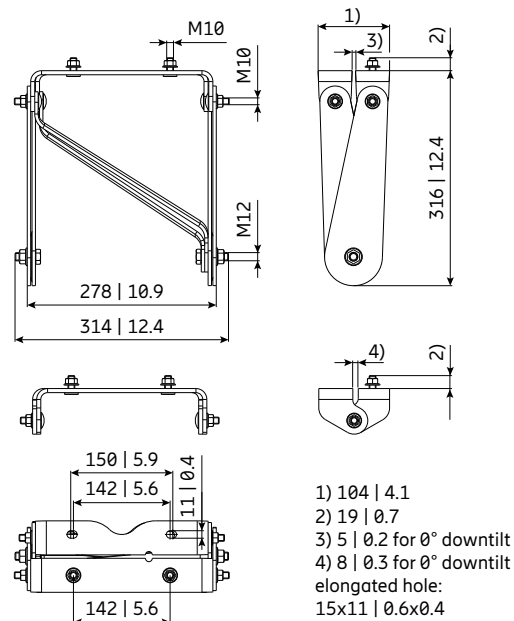
|                   |         |               |
|-------------------|---------|---------------|
| Frontal wind load | N   lbf | < 5500   1236 |
| Lateral wind load | N   lbf | < 1450   326  |

Before the adjustment, all joint bolts must be loosened.  
After the adjustment has been completed, all loosened bolts must be tightened.

Mounting this downtilt kit enlarges the spacing between mast and antenna by a minimum of 59mm | 2.3 inches.

Use the downtilt kit together with the clamps as described in the antenna data-sheet.

The downtilt kit can also be used for uptilting the antenna with an angle up to max. 6°.

Downtilt kit  
used for downtiltDowntilt kit  
used for uptilt

All dimensions in mm | inches

**Max. possible mechanical downtilt / uptilt**

| Antenna length class         | 1.3 m (4 ft) | 1.5 m | 1.8 m (6 ft) | 2.0 m | 2.4 m (8 ft) | 2.6 m |
|------------------------------|--------------|-------|--------------|-------|--------------|-------|
| Max. downtilt / uptilt angle | 21°          | 17°   | 14°          | 12°   | 10°          | 9°    |

Uptilt only in connection with 85010112



# Downtilt Kit XH

85010099



[ericsson.com/antenna-system](https://ericsson.com/antenna-system)

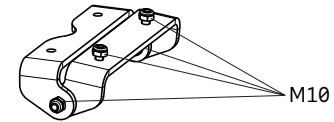
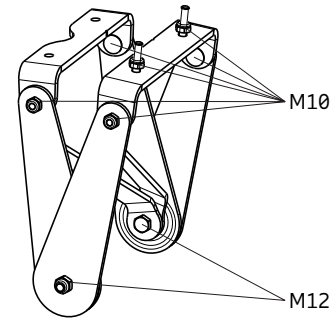


Scan or [click](#)

**Downtilt kit for Panel antennas with wind load category XH (X-Heavy).****Downtilt kit**

|                               |  |              |
|-------------------------------|--|--------------|
| <b>Product No.</b>            | <b>85010099</b>  |              |
| <b>Preferred range of use</b> | – Panel antennas with attached mounting plates<br>– Downtilt kit without scale for universal use |              |
| <b>Weight</b>                 | kg<br>lb   | 10.6<br>23.4 |
| <b>Material</b>               | Hot-dip galvanized steel   |              |
| <b>Screws</b>                 | Hot-dip galvanized steel   |              |
| <b>Nuts</b>                   | Stainless steel  |              |

**Attention: The downtilt kit is not to be used together with azimuth kits or offsets.**

**Recommended mast clamps**

| Product No. | Description | Mast diameter<br>mm   inches | Weight<br>approx. kg   lb | Units per<br>antenna |
|-------------|-------------|------------------------------|---------------------------|----------------------|
| 85010096    | 2 clamps    | 55–115   2.2–4.5             | 5.0   11.0                | 1                    |
| 85010097    | 2 clamps    | 110–220   4.3–8.7            | 9.7   20.7                | 1                    |
| 85010101    | 2 clamps    | 210–380   8.3–14.9           | 14.6   32.2               | 1                    |

**Recommended torque for all bolted connections**

| Screw size |    | Torque |
|------------|----|--------|
| M10        | Nm | 50     |
| M12        | Nm | 85     |

**Maximum acceptable load**

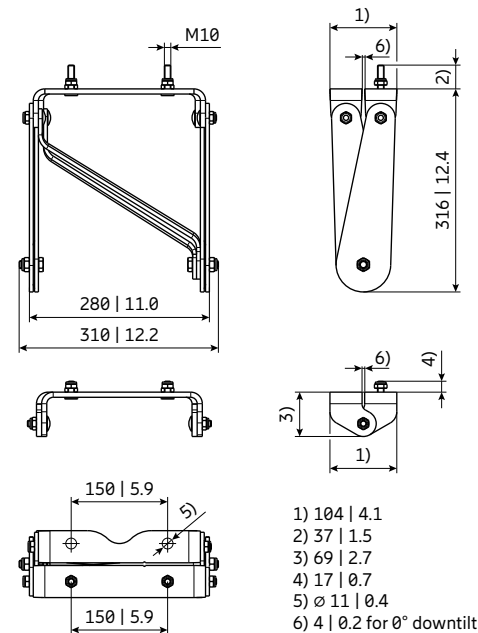
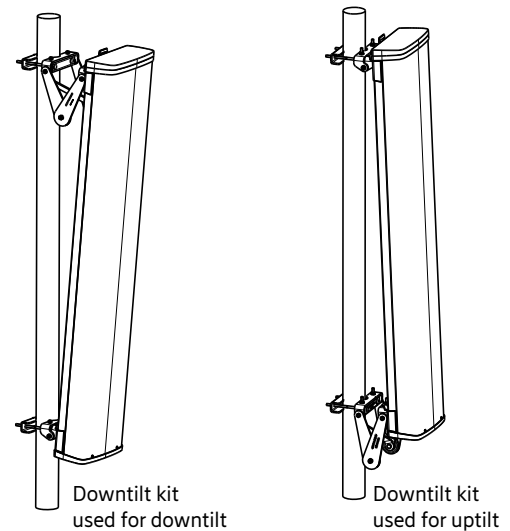
|                   |         |               |
|-------------------|---------|---------------|
| Frontal wind load | N   lbf | < 6000   1349 |
| Lateral wind load | N   lbf | < 1950   438  |

Before the adjustment, all joint bolts must be loosened.  
After the adjustment has been completed, all loosened bolts must be tightened.

Mounting this downtilt kit enlarges the spacing between mast and antenna by a minimum of 59 mm | 2.3 inches.

Use the downtilt kit together with the clamps as described in the antenna data-sheet.

The downtilt kit can also be used for uptilting the antenna with an angle up to max. 2.5°.

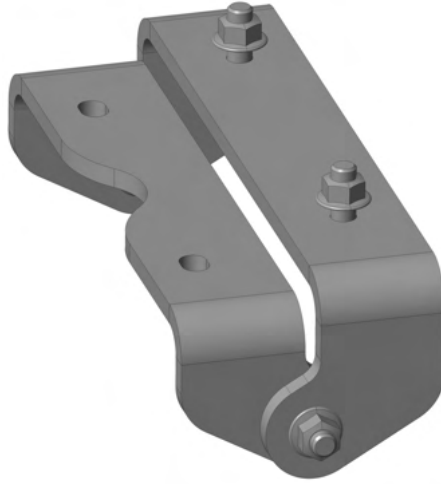


All dimensions in mm | inches

**Max. possible mechanical downtilt / uptilt**

| Antenna length class         | 1.5 m | 1.8 m (6 ft) | 2.0 m | 2.4 m (8 ft) | 2.6 m |
|------------------------------|-------|--------------|-------|--------------|-------|
| Max. downtilt / uptilt angle | 16°   | 13°          | 12°   | 10°          | 9°    |

Uptilt only in connection with 85010112



# Uptilt Joint for Downtilt Kit XM/XH

85010112

- Enhances the functionality of the existing downtilt kits 85010099 and 85010110 to a fully functional uptilt kit
- The max. possible uptilt angle is identical to the max. downtilt angle (depending on antenna length)
- Enables easy antenna installation on sites with special uptilt requirements without the need of cost intensive site-specific constructions
- Compatible with antennas, clamps and downtilt kits in windload category XM and XH



[ericsson.com/antenna-system](https://ericsson.com/antenna-system)



Scan or [click](#)

**Uptilt joint for downtilt kit**

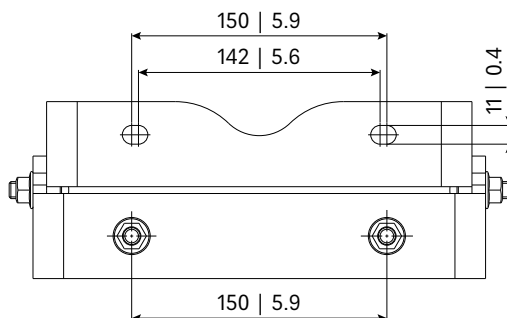
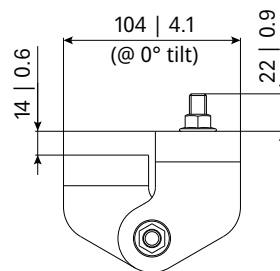
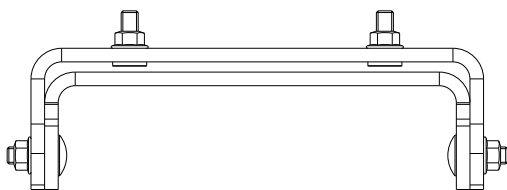
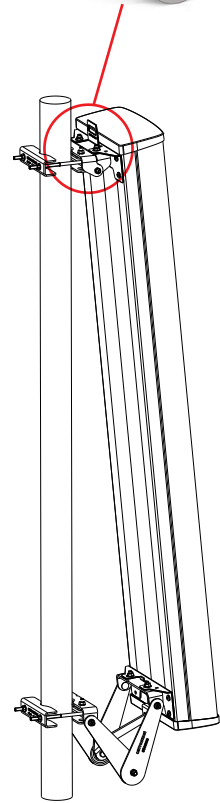
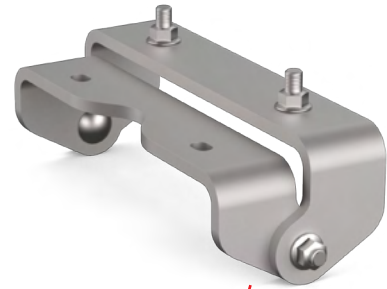
|                    |    |                          |
|--------------------|----|--------------------------|
| <b>Product No.</b> |    | <b>85010112</b>          |
| <b>Weight</b>      | kg | 2.5                      |
|                    | lb | 5.5                      |
| <b>Material</b>    |    | Hot-dip galvanized steel |
| <b>Bolts</b>       |    | Hot-dip galvanized steel |
| <b>Nuts</b>        |    | Stainless steel          |

**Recommended torque for bolted connections:**

| <b>Screw size</b> |    | <b>Torque</b> |
|-------------------|----|---------------|
| M10               | Nm | 50            |

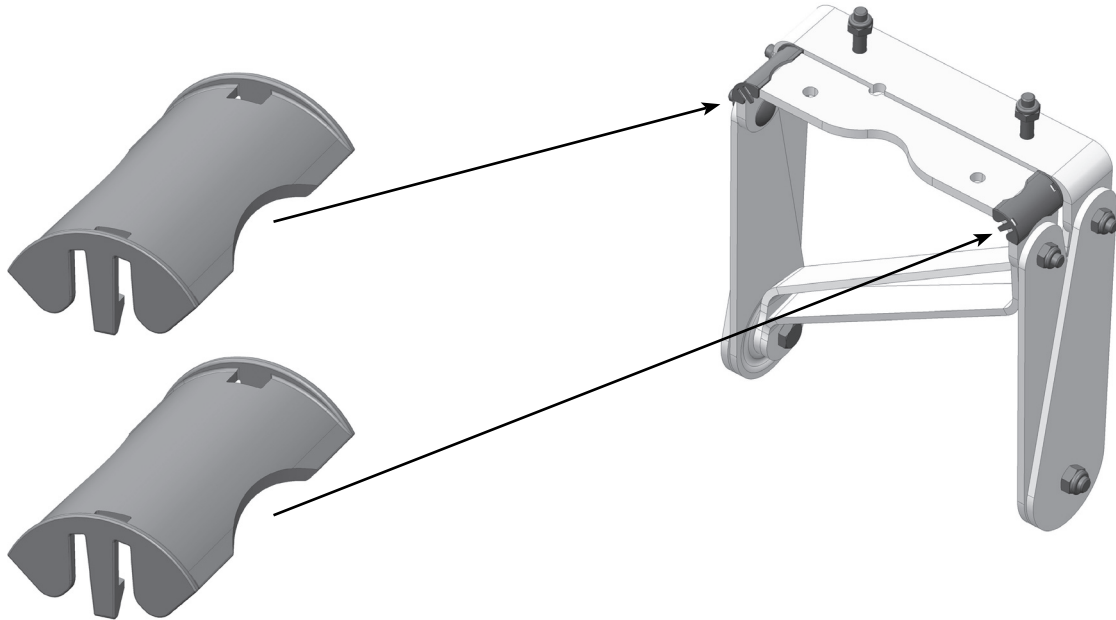
**Attention:** Always make sure, that the used mounting accessories fit to the windload category of the antenna to be mounted. It is NOT permitted to use a XM-clamp for a XH-antenna in combination with this uptilt joint.

**Scope of supply:** One uptilt joint (downtilt kit, clamps etc. need to be ordered separately)



All dimensions in mm | inches





# Spacer for Downtilt Kit XM/XH

85010512, 85010513

- Plastic spacer to ease mounting of the Downtilt Kit XH 85010099 and XM 85010110 in “no-downtilt” position ( $0^\circ$ ), only.
- For downtilt positions  $> 0^\circ$ , no spacer is needed. If spacers have been attached anyway, they have to be removed.
- High performance plastic with exceptional UV-stability.
- Snap-on design for easy assembly prior mounting the downtilt kit.
- Two spacers necessary for each downtilt kit.

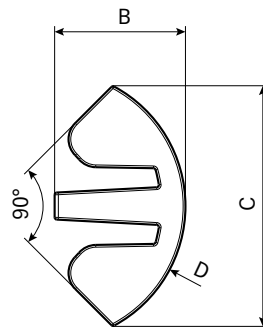
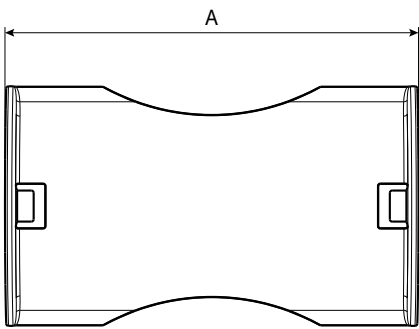
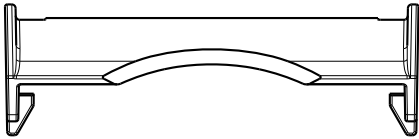


[ericsson.com/antenna-system](https://ericsson.com/antenna-system)

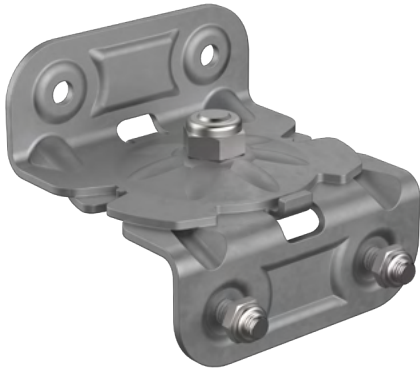


Scan or [click](#)

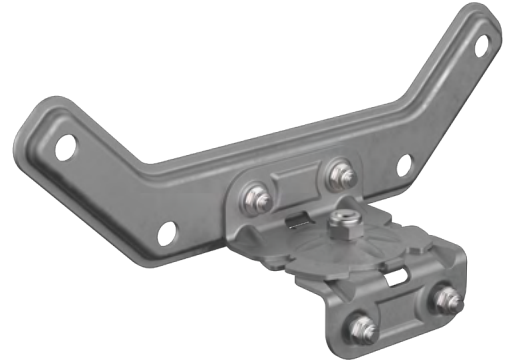
| Product No. | Description                         | Packing unit |
|-------------|-------------------------------------|--------------|
| 85010512    | Spacer for Downtilt Kit XH 85010099 | 50 pcs.      |
| 85010513    | Spacer for Downtilt Kit XM 85010110 | 50 pcs.      |



|   |             | 85010512       | 85010513       |
|---|-------------|----------------|----------------|
| A | mm   inches | 54.7   2.2     | 54.7   2.2     |
| B | mm   inches | 17.3   0.7     | 15.3   0.6     |
| C | mm   inches | 31.8   1.3     | 29.0   1.1     |
| D | mm   inches | R 19.5   R 0.8 | R 17.5   R 0.7 |



pole mounting



wall mounting

# Azimuth Adjustment Kits L/M/H

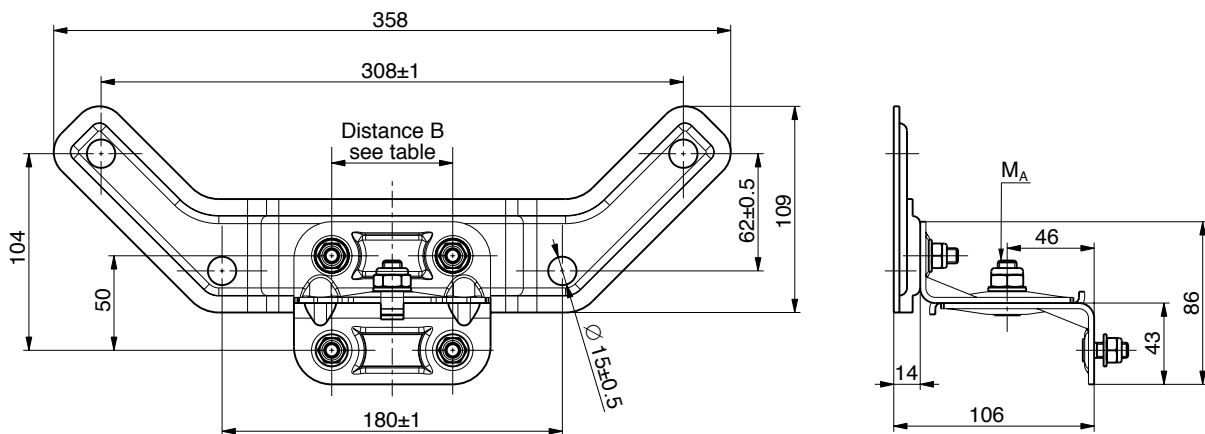
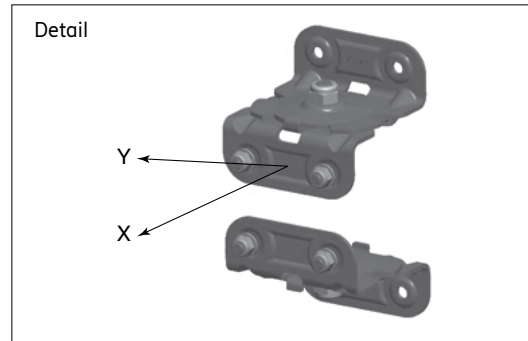
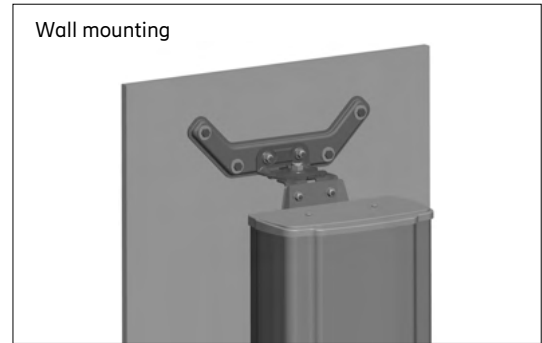
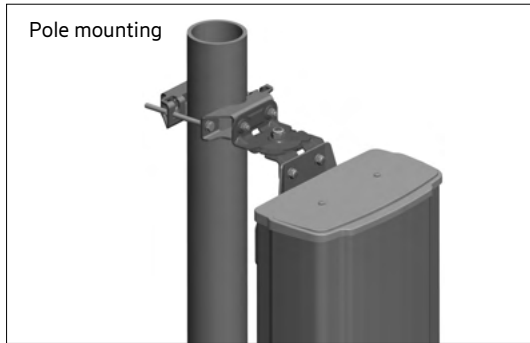
85010014, 85010015,  
85010016, 85010017



[ericsson.com/antenna-system](https://ericsson.com/antenna-system)



Scan or [click](#)



The azimuth adjustment kit for pole mounting can be mounted with all suitable clamps, 3-Sector clamps and 2x Panel mounting kits (with the latter only as an interface between mounting kit and antenna).

| Product No.                        | 85010014   | 85010015       | 85010016   | 85010017       |
|------------------------------------|--|----------------|--|----------------|
| Suitable for                       | pole mounting  |                | wall mounting  |                |
| Number of pieces                   | 2 brackets   | 2 brackets     | 2 brackets   | 2 brackets     |
| Distance between screws [B]        | 64 mm  | 72 mm          | 64 mm  | 72 mm          |
| Angular range                      | ± 30°  |                | ± 30°  |                |
| Weight / kit                       | approx. 1260 g   | approx. 1260 g | approx. 2500 g   | approx. 2500 g |
| Supplied mounting accessories      | all screws   |                | Screws and dowels for wall fastening are not supplied, they must be chosen by installer according to on-site requirements. |                |
| Materials                          | Parts are hot-dip galvanized steel; Captive nuts are stainless steel |                |  |                |
| Max. permissible static load / kit |  |                |  |                |
| • X direction                      | 2150 N   | 5100 N         | 2150 N   | 5100 N         |
| • Y direction                      | 760 N  | 1350 N         | 760 N  | 1350 N         |

Recommended torque: Screws M6: 8 Nm; Screws M8: 20 Nm; MoS<sub>2</sub> greased.

Minimum torque MA: 30 Nm; MoS<sub>2</sub> greased



# Azimuth Adjustment Kit XH

85010098

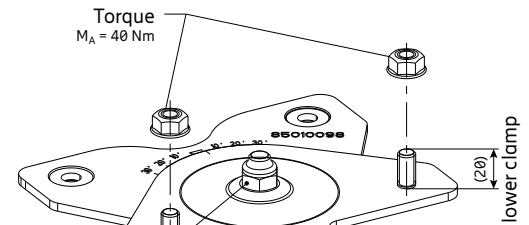
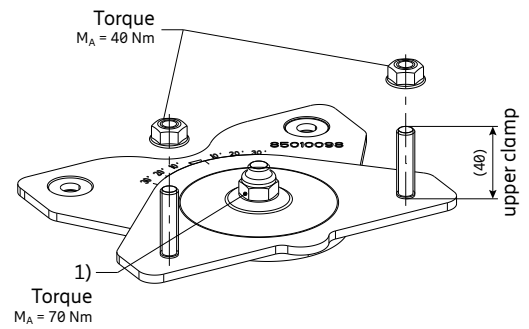
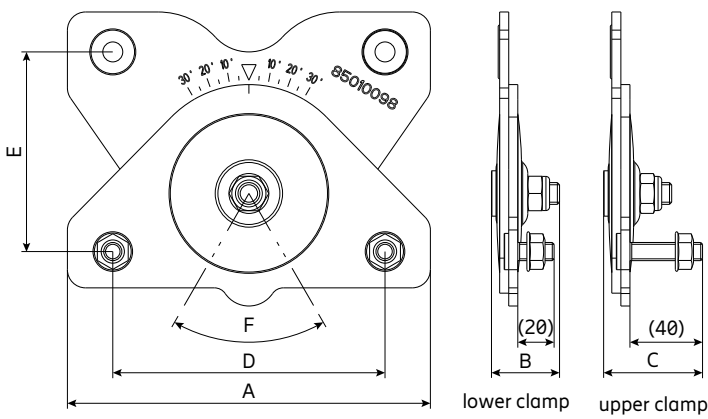


[ericsson.com/antenna-system](https://ericsson.com/antenna-system)

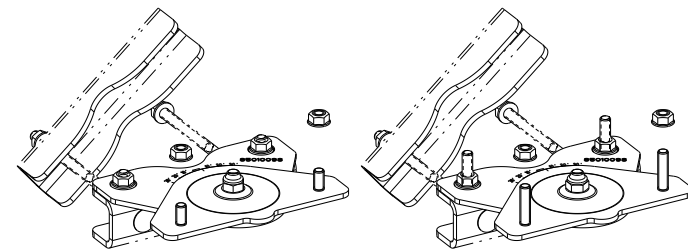


Scan or [click](#)

|   |    |   |  |
|---|----|---|--|
| <b>Product No.</b>                            |    | <b>85010098</b>   |  |
| <b>Scope of supply</b>                        |    | 1x lower clamp<br>1x upper clamp  |  |
| <b>Material:</b> – Clamp<br>– Bolts<br>– Nuts |    | Hot-dip galvanized steel<br>Hot-dip galvanized steel<br>Stainless steel |  |
| <b>Weight</b>                                 | kg | 3.3   |  |
|   | lb | 7.3   |  |

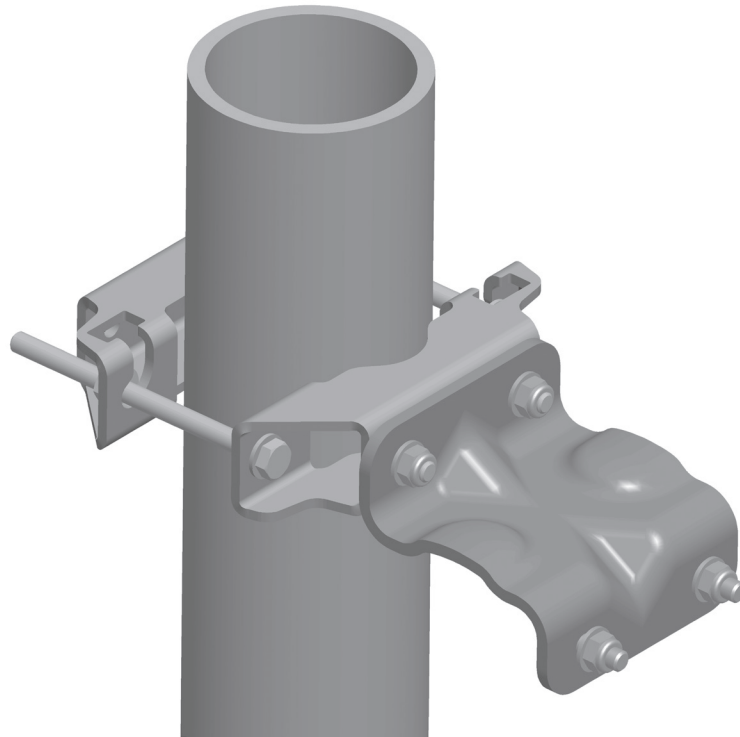


**1)**  
**Attention!**  
Do not remove the self-locking nut.  
For the azimuth adjustment range loosen only the self-locking nut (one or two rotations) and afterwards tighten it with a torque  $M_A = 70 \text{ Nm}$ .



|        | A   | B    | C    | D   | E   | F              |
|--------|-----|------|------|-----|-----|----------------|
| mm     | 200 | 37.5 | 54.5 | 150 | 110 | $\pm 30^\circ$ |
| inches | 7.9 | 1.48 | 2.15 | 5.9 | 4.3 |                |

Please note: Ericsson does not recommend to use counter nuts.



# Offset L/M/H

85010060, 85010061

- Increases distance to pole by 90 mm | 3.6 inches



[ericsson.com/antenna-system](https://ericsson.com/antenna-system)

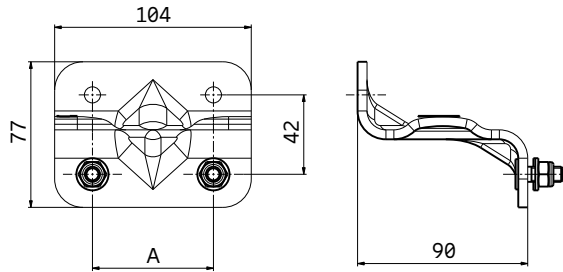


Scan or [click](#)

|                              |   |           |                 |
|------------------------------|---|-----------|-----------------|
| <b>Product No.</b>           | <b>85010060</b>                             |           | <b>85010061</b> |
| Wind load category           | L/M   |           | H               |
| Quantity needed per antenna  | 2x spacer                                   |           |                 |
| Material: – spacer<br>– nuts | Hot-dip galvanized steel<br>Stainless steel |           |                 |
| Dimension "A"                | mm   in                                     | 64   2.5  | 72   2.8        |
| Weight                       | kg   lb                                     | 0.7   1.5 |                 |
| Scope of supply              | 1x spacer, Fitting accessories              |           |                 |

Recommended torque for M8 bolted connections: 20 Nm

Please use the offset in combination with clamps corresponding to the pole diameter.



#### Mounting accessories (order separately)

Possible clamps in combination with:

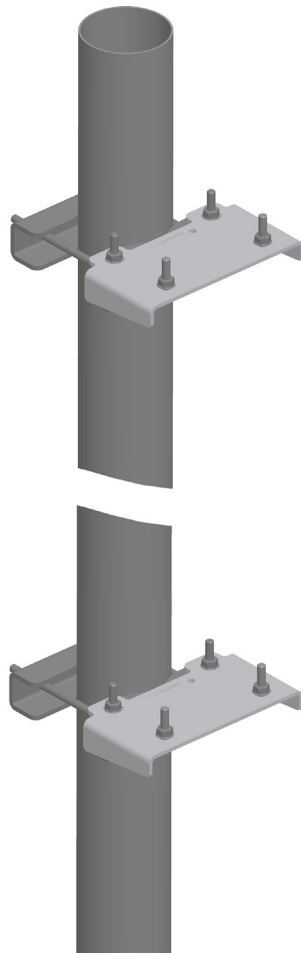
##### 85010060

| Product No. | Description       | Mast diameter | Weight approx. | Units per antenna |
|-------------|-------------------|---------------|----------------|-------------------|
| 731651      | 1 clamp           | 28 – 64 mm    | 0.8 kg         | 2                 |
| 738546      | 1 clamp           | 42 – 115 mm   | 1.1 kg         | 2                 |
| 85010002    | 1 clamp           | 110 – 220 mm  | 2.9 kg         | 2                 |
| 85010003    | 1 clamp           | 210 – 380 mm  | 4.8 kg         | 2                 |
| 742263      | 2x 3 sector clamp | 88.9 mm       | 4.0 kg         | 1                 |
| 742317      | 2x 3 sector clamp | 88.9 mm       | 4.0 kg         | 1                 |
| 742033      | 2x 3 sector clamp | 114.3 mm      | 4.0 kg         | 1                 |
| 742034      | 2x 3 sector clamp | 139.7 mm      | 4.0 kg         | 1                 |

##### 85010061

| Product No. | Description       | Mast diameter | Weight approx. | Units per antenna |
|-------------|-------------------|---------------|----------------|-------------------|
| 738546      | 1 clamp           | 42 – 115 mm   | 1.1 kg         | 2                 |
| 85010002    | 1 clamp           | 110 – 220 mm  | 2.9 kg         | 2                 |
| 85010003    | 1 clamp           | 210 – 380 mm  | 4.8 kg         | 2                 |
| 85010058    | 2x 3 sector clamp | 114.3 mm      | 4.0 kg         | 1                 |
| 85010059    | 2x 3 sector clamp | 139.7 mm      | 4.0 kg         | 1                 |





# Offset XM

SXA 216 3025/1

- Increases distance to pole by 60 mm | 2.4 inches



[ericsson.com/antenna-system](https://ericsson.com/antenna-system)

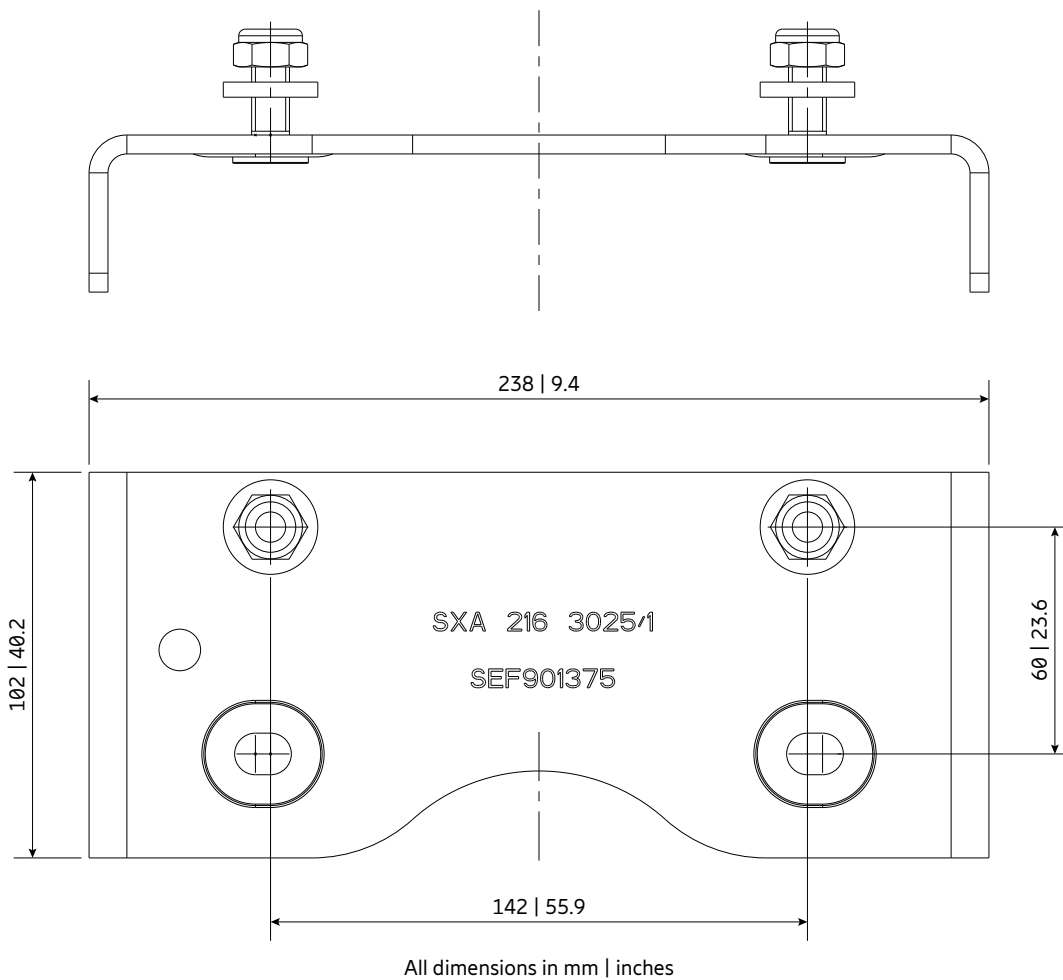


Scan or [click](#)

|  |    |   |
|--|----|---|
| <b>Product No.</b>                       |    | <b>SXA 216 3025/1</b>                       |
| Wind load category                       |    | XM (X-Medium)                               |
| Quantity needed per antenna              |    | 1x spacer kit                               |
| Material: – spacer<br>– nuts and washers |    | Hot-dip galvanized steel<br>Stainless steel |
| Weight                                   | kg | 2.45  |
|  | lb | 5.40  |
| Scope of supply                          |    | 2x spacer, Fitting accessories              |

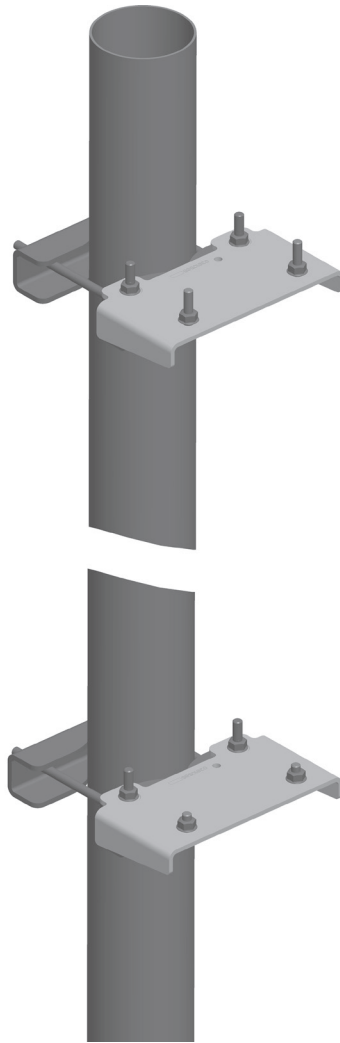
Recommended torque for M10 bolted connections: 40 Nm

Please use the offset in combination with clamps corresponding to the pole diameter.



#### Mounting accessories (order separately)

| Product No. | Description       | Remarks<br>mm   inches             | Weight<br>approx. kg   lb | Units per antenna |
|-------------|-------------------|------------------------------------|---------------------------|-------------------|
| 85010111    | Clamp XM          | Mast diameter: 55–115   2.2–4.5    | 4.5   9.9                 | 1 kit             |
| 85010097    | Clamps XH         | Mast diameter: 110–220   4.3–8.7   | 9.4   20.7                | 1 kit             |
| 85010101    | Clamps XH         | Mast diameter: 280–380   11.0–15.0 | 14.6   32.2               | 1 kit             |
| 85010102    | 3 Sector Clamp XH | Mast diameter: 114.3   4.5         | 14.5   31.9               | 1 kit             |



# Offset XH

85010104

- Increases distance to pole by 90 mm | 3.6 inches



[ericsson.com/antenna-system](https://ericsson.com/antenna-system)

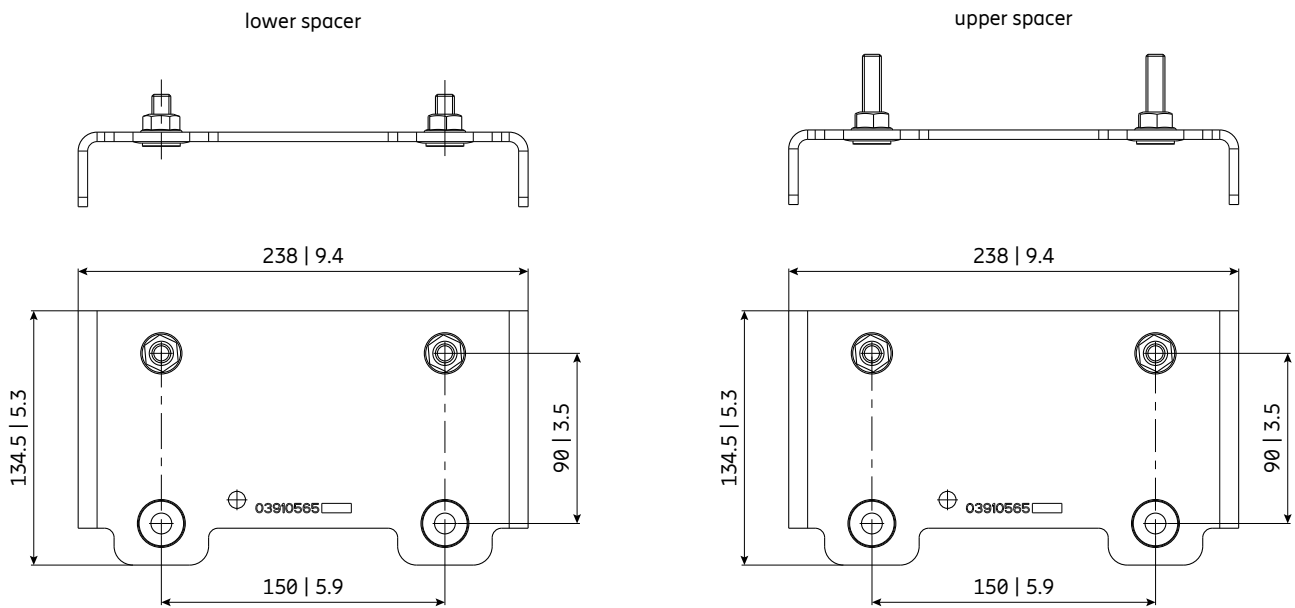


Scan or [click](#)

|                              |  |             |
|------------------------------|--|-------------|
| <b>Product No.</b>           | <b>85010104</b>                                      |             |
| Wind load category           | XH   |             |
| Quantity needed per antenna  | 1x spacer kit  |             |
| Material: – spacer<br>– nuts | Hot-dip galvanized steel<br>Hot-dip galvanized steel |             |
| Weight                       | kg   lb  | 2.88   6.35 |
| Scope of supply              | 2x spacer, Fitting accessories                       |             |

Recommended torque for M10 bolted connections: 40 Nm

Please use the offset in combination with clamps corresponding to the pole diameter.



All dimensions in mm | inches

#### Mounting accessories (order separately)

| Product No. | Description       | Remarks<br>mm   inches             | Weight<br>kg   lb | Units per antenna |
|-------------|-------------------|------------------------------------|-------------------|-------------------|
| 85010096    | Clamp XH          | Mast diameter: 55–115   2.2–4.5    | 5.0   11.0        | 1 kit             |
| 85010097    | Clamp XH          | Mast diameter: 110–220   4.3–8.7   | 9.4   20.7        | 1 kit             |
| 85010101    | Clamp XH          | Mast diameter: 280–380   11.0–15.0 | 14.6   32.2       | 1 kit             |
| 85010102    | 3 Sector Clamp XH | Mast diameter: 114.3   4.5         | 14.5   31.9       | 1 kit             |



# 2-Panel Mounting Kit L/M

## 742113

- For antennas with a maximum panel width of 160 mm | 6.3 inches



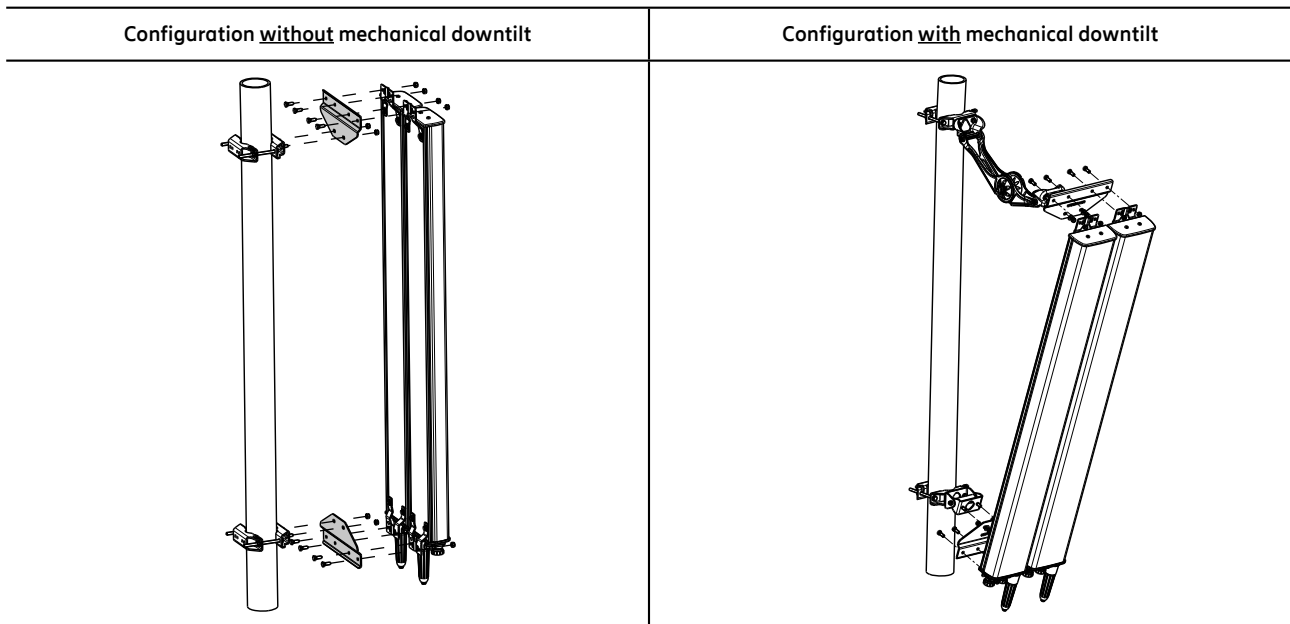
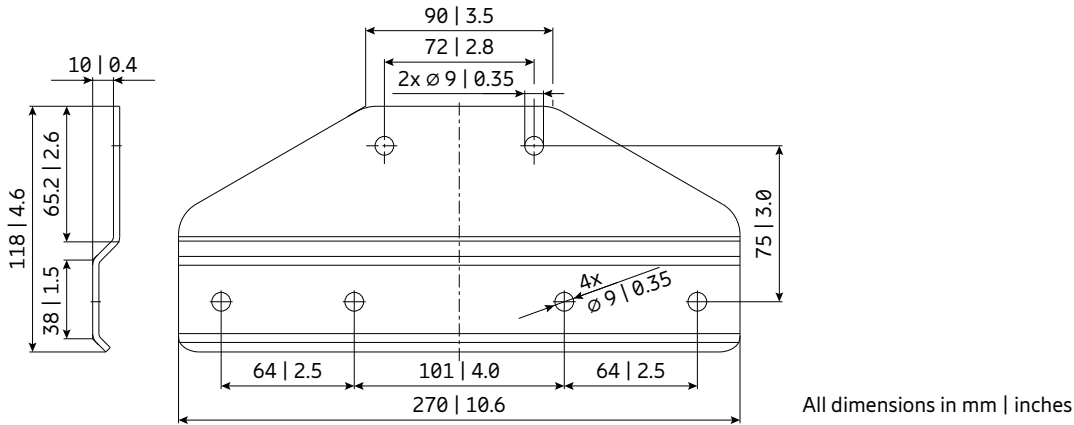
[ericsson.com/antenna-system](https://ericsson.com/antenna-system)



Scan or [click](#)

|  |   |                   |
|--|---|-------------------|
| Product No.  | 742113                                      |                   |
| Contens  | 2 x brackets and mounting accessories       |                   |
| Material: – Clamp and screws<br>– Nuts and washers | Hot-dip galvanized steel<br>Stainless steel |                   |
| Weight   | kg   lb                                     | Approx. 1.6   3.5 |

Recommended torque for M8 bolted connections: 20 Nm | 4.5 lbf



Use the 2 x Panel Mounting Kit together with the following mounting accessories

| Product No. | Description      | Remarks<br>mm   inches                         | Units per<br>antenna |
|-------------|------------------|--|----------------------|
| 731651      | Clamp L          | Mast diameter: 28–60   1.1–2.4                 | 2                    |
| 738546      | Clamp L/M/H      | Mast diameter: 4–115   1.7–4.5                 | 2                    |
| 85010002    | Clamp L/M/H      | Mast diameter: 110–220   4.3–8.7               | 2                    |
| 85010003    | Clamp L/M/H      | Mast diameter: 210–380   8.3–15.0              | 2                    |
| 85010060    | Offset L/M       | in combination with the clamps                 | 2                    |
| 737978      | Downtilt kit L/M | Downtilt angle:<br>depending on antenna height | 1                    |

If a downtilt kit is used, please choose the fitting one from the antenna data sheet.

For a three sector panel arrangement, use the mounting kit type no. 742113 together with the three sector clamp 742317, 742033 or 742034. Three sector clamp 742263 does not match.



# 2-Panel Mounting Kit L/M, H

85010075, 85010076

- For antennas with a maximum panel width of 325 mm | 12.8 inches



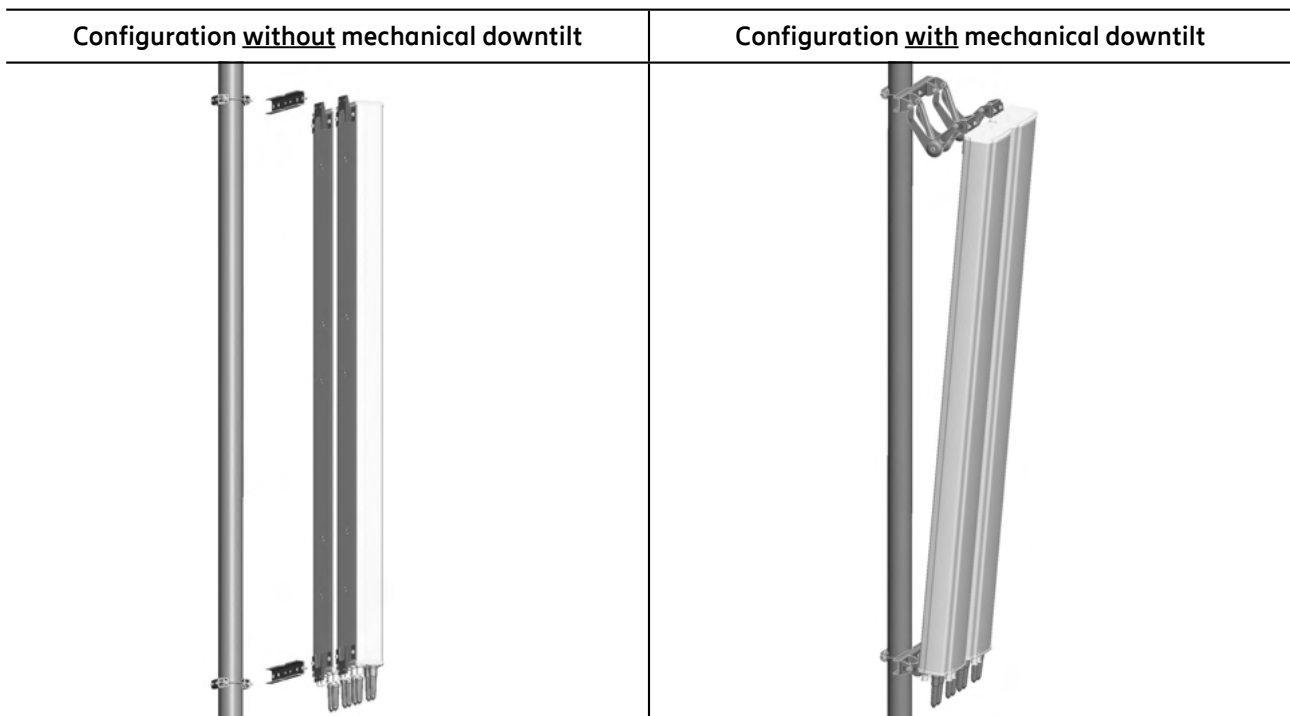
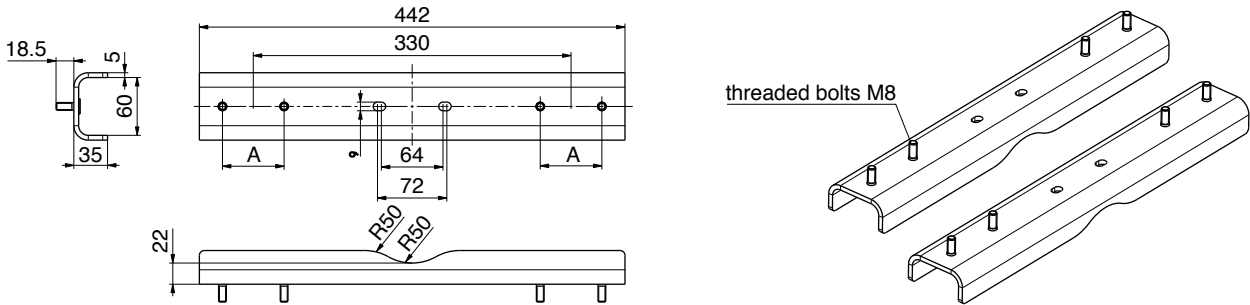
[ericsson.com/antenna-system](https://ericsson.com/antenna-system)



Scan or [click](#)

|   |   |                 |
|---|---|-----------------|
| <b>Product No.</b>  | <b>85010075</b>                             | <b>85010076</b> |
| <b>Contents</b>   | 2 x brackets and mounting accessories       |                 |
| <b>Material:</b> – Clamp and screws<br>– Nuts and washers | Hot-dip galvanized steel<br>Stainless steel |                 |
| <b>Weight</b>   | kg   lb                                     | 3.3   7.3       |
| <b>Hole distance "A"</b>                                  | mm   in                                     | 64   2.5        |
| <b>Windload category (Antenna)</b>                        | L/M   | H               |

Recommended torque for M8 bolted connections: 20 Nm



Mounting Accessories (order separately)  
Clamps (only the listed clamps are allowed!)

| Product No. | Description | Remarks<br>mm   in                | Weight<br>kg   lb | Units per<br>mounting kit |
|-------------|-------------|-----------------------------------|-------------------|---------------------------|
| 85010002    | Clamp L/M/H | Mast diameter: 110–220   4.3–8.7  | 2.7   6.0         | 2                         |
| 85010003    | Clamp L/M/H | Mast diameter: 210–380   8.3–15.0 | 4.8   10.6        | 2                         |
| 85010060    | Offset L/M  |                                   | 1.3   2.9         | 4                         |
| 85010061    | Offset H    |                                   | 1.3   2.9         | 4                         |

If a downtilt kit is used, please choose the fitting one from the antenna datasheet.





# 2-Panel Mounting Kit H

85010087

- For antennas with a maximum panel width of 377 mm | 14.8 inches



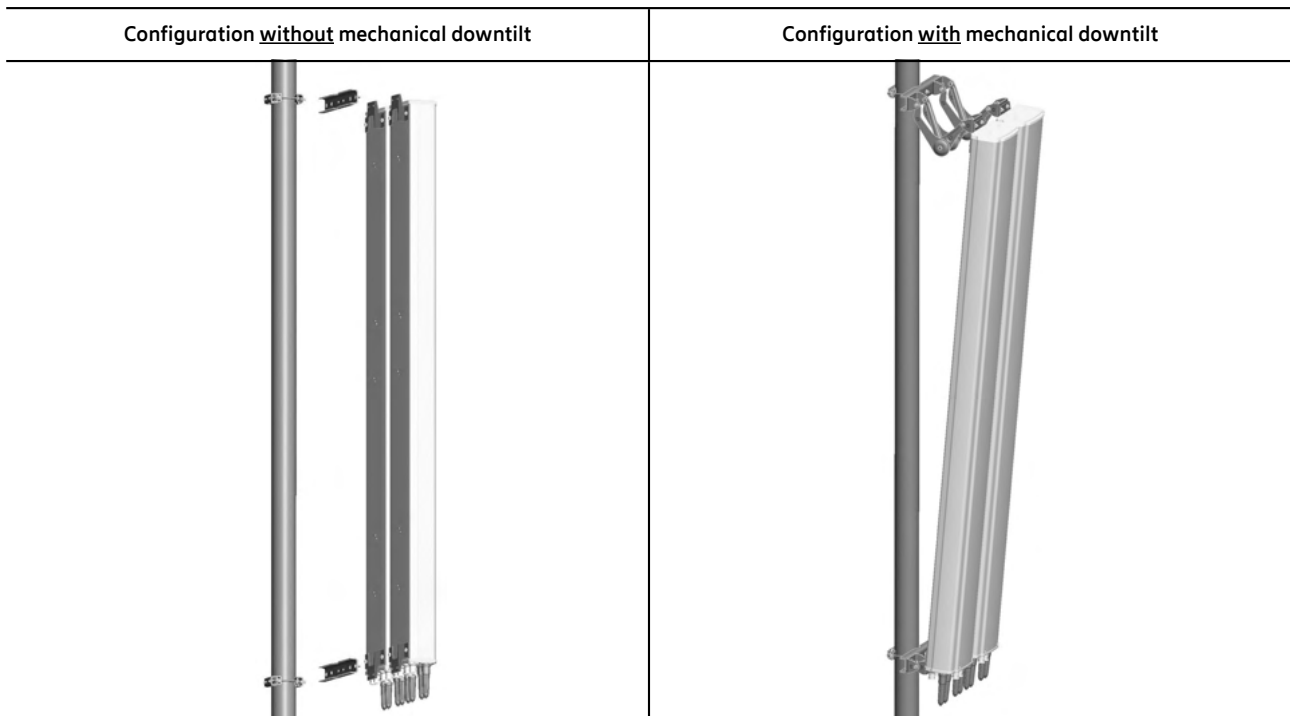
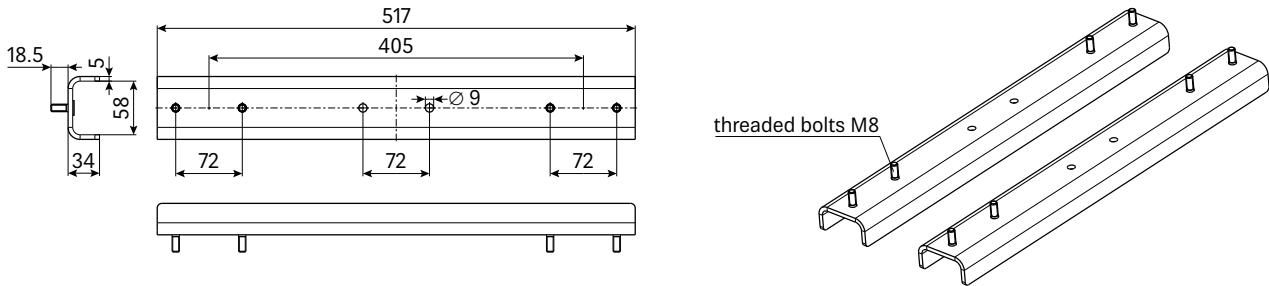
[ericsson.com/antenna-system](https://ericsson.com/antenna-system)



Scan or [click](#)

|   |         |   |
|---|---------|---|
| <b>Product No.</b>  |         | <b>85010087</b>                             |
| <b>Contents</b>   |         | 2x brackets and mounting accessories        |
| <b>Material:</b> – Clamp and screws<br>– Nuts and washers |         | Hot-dip galvanized steel<br>Stainless steel |
| <b>Weight</b>   | kg   lb | 3.3   7.3                                   |
| <b>Hole distance</b>                                      | mm   in | 72   2.8                                    |
| <b>Windload category (Antenna)</b>                        |         | H   |

Recommended torque for M8 bolted connections: 20 Nm

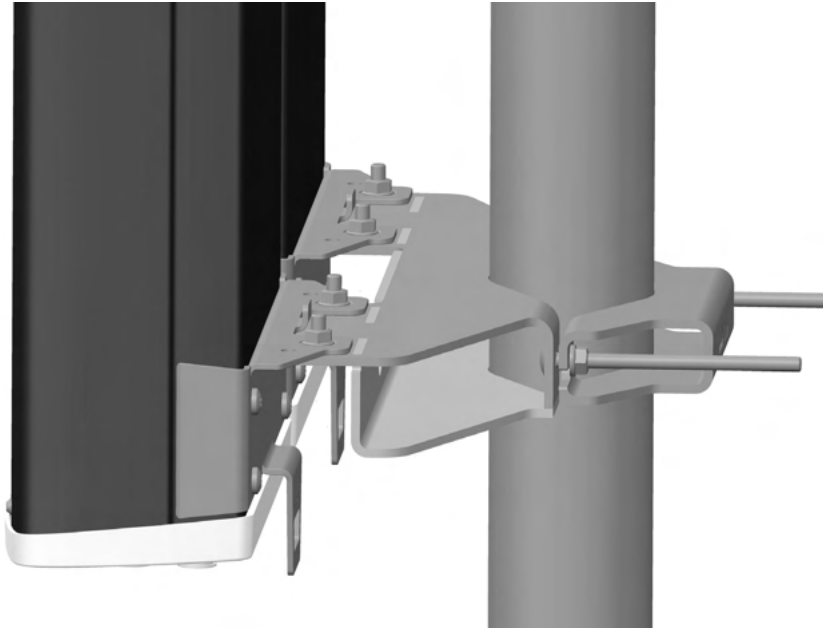


#### Mounting Accessories (order separately)

Clamps (only the listed clamps are allowed!)

| Product No. | Description    | Remarks<br>mm   in                | Weight<br>kg   lb | Units per<br>mounting kit |
|-------------|----------------|-----------------------------------|-------------------|---------------------------|
| 85010002    | Clamp L/M/H    | Mast diameter: 110–220   4.3–8.7  | 2.7   6.0         | 2                         |
| 85010003    | Clamp L/M/H    | Mast diameter: 210–380   8.3–15.0 | 4.8   10.6        | 2                         |
| 85010009    | Downtilt Kit H |                                   | 4.3   9.5         | 2                         |

The downtilt kit can not be used in combination with any offset (85010060 and 85010061).



# 2-Panel Mounting Kit XH

85010103, 85010108

- For antennas with a maximum panel width of 378 mm | 14.9 inches

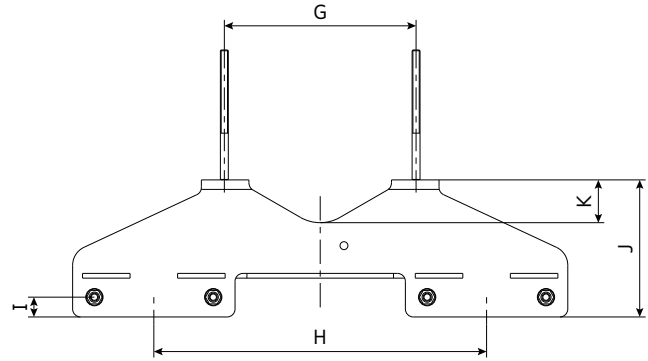
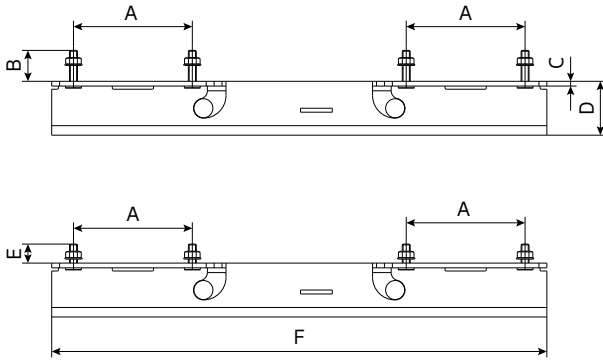
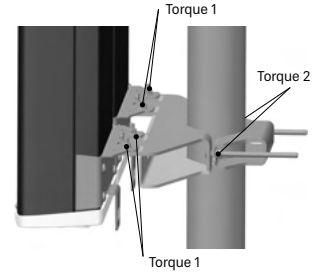


[ericsson.com/antenna-system](https://ericsson.com/antenna-system)



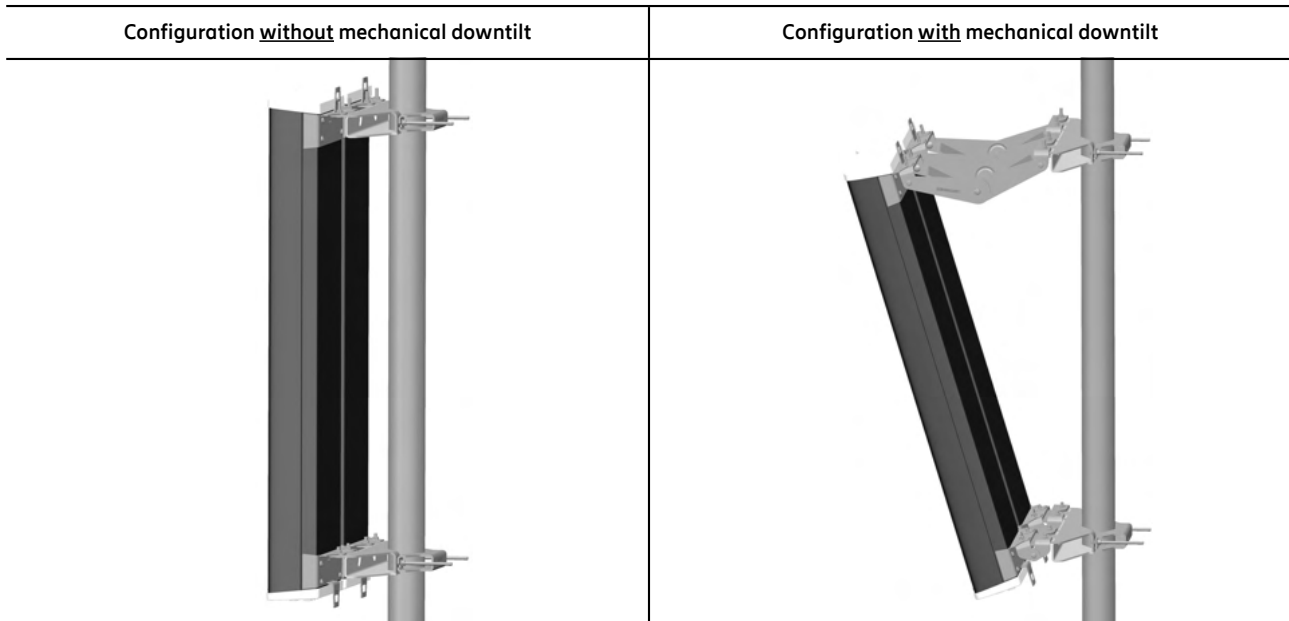
Scan or [click](#)

|   |              |   |                         |
|---|--------------|---|-------------------------|
| <b>Product No.</b>  |              | <b>85010103</b>                             | <b>85010108</b>         |
| <b>Contents</b>   |              | 2x clamps and mounting accessories          |                         |
| <b>Material:</b> – Clamp and screws<br>– Nuts and washers |              | Hot-dip galvanized steel<br>Stainless steel |                         |
| <b>Weight</b>   | kg<br>lb     | 20.5<br>45.2                                | 27.5<br>60.6            |
| <b>Suitable for mast ø</b>                                | mm<br>inches | 110 – 220<br>4.3 – 8.7                      | 210 – 380<br>8.3 – 15.0 |
| <b>Torque 1</b>   | Nm           | 40  | 40                      |
| <b>Torque 2</b>   |              | 25  | 40                      |
| <b>Windload category (Antenna)</b>                        |              | XH  |                         |



| <b>Product No.</b> |        | <b>A</b> | <b>B</b> | <b>C</b> | <b>D</b> | <b>E</b> | <b>F</b> | <b>G</b> | <b>H</b> | <b>I</b> | <b>J</b> | <b>K</b> |
|--------------------|--------|----------|----------|----------|----------|----------|----------|----------|----------|----------|----------|----------|
| <b>85010103</b>    | mm     | 150      | 39       | 6        | 68       | 24       | 625      | 242      | 420      | 25       | 173      | 54       |
|                    | inches | 5.91     | 1.54     | 0.24     | 2.68     | 0.84     | 24.61    | 9.53     | 16.54    | 0.98     | 6.81     | 2.13     |
| <b>85010108</b>    | mm     | 150      | 39       | 6        | 68       | 24       | 625      | 392      | 420      | 25       | 221      | 102      |
|                    | inches | 5.91     | 1.54     | 0.24     | 2.68     | 0.84     | 24.61    | 14.43    | 16.54    | 0.98     | 8.7      | 4.02     |

Please note: Ericsson does not recommend to use counter nuts.



**Mounting accessories (order separately)**

| <b>Product No.</b> | <b>Description</b> | <b>Weight<br/>kg   lb</b> | <b>Units per<br/>mounting kit</b> |
|--------------------|--------------------|---------------------------|-----------------------------------|
| 85010099           | Downtilt Kit XH    | 10.6   23.4               | 2                                 |
| 85010104           | Offset XH          | 2.9   6.4                 | 4                                 |

# Mechanical Integration Kit (MIK) for Nokia mMIMO Adaptive Antennas (MAA) and 448 Platform Antennas

85010213V01



[ericsson.com/antenna-system](https://ericsson.com/antenna-system)



Scan or [click](#)

|   |             |   |
|---|-------------|---|
| <b>Product No.</b>                          |             | <b>85010213V01</b>  |
| Preferred range of use                      |             | Integration of massive MIMO adaptive antenna (MAA) with a 448 platform antenna  |
| MAA Compatibility                           |             | Compatible with a large variety of 32 and 64 TRX Nokia 5G NR MAA in band n78;<br>for specific radio model please contact your Nokia representative. |
| Wind loaded (at Rated Wind Speed: 150 km/h) | N   lbf     | Frontal: 450   101<br>Maximal: 545   123  |
| Max. Wind Velocity                          | km/h<br>mph | 241<br>150  |
| Weight                                      | kg   lb     | 13.6   30.0 excl. windshield<br>16.6   36.6 incl. windshield<br>23.6   52.0 incl. windshield, clamps, spacer  |
| Packing size                                | mm   in     | 1183 x 513 x 380   46.6 x 20.2 x 15.0   |

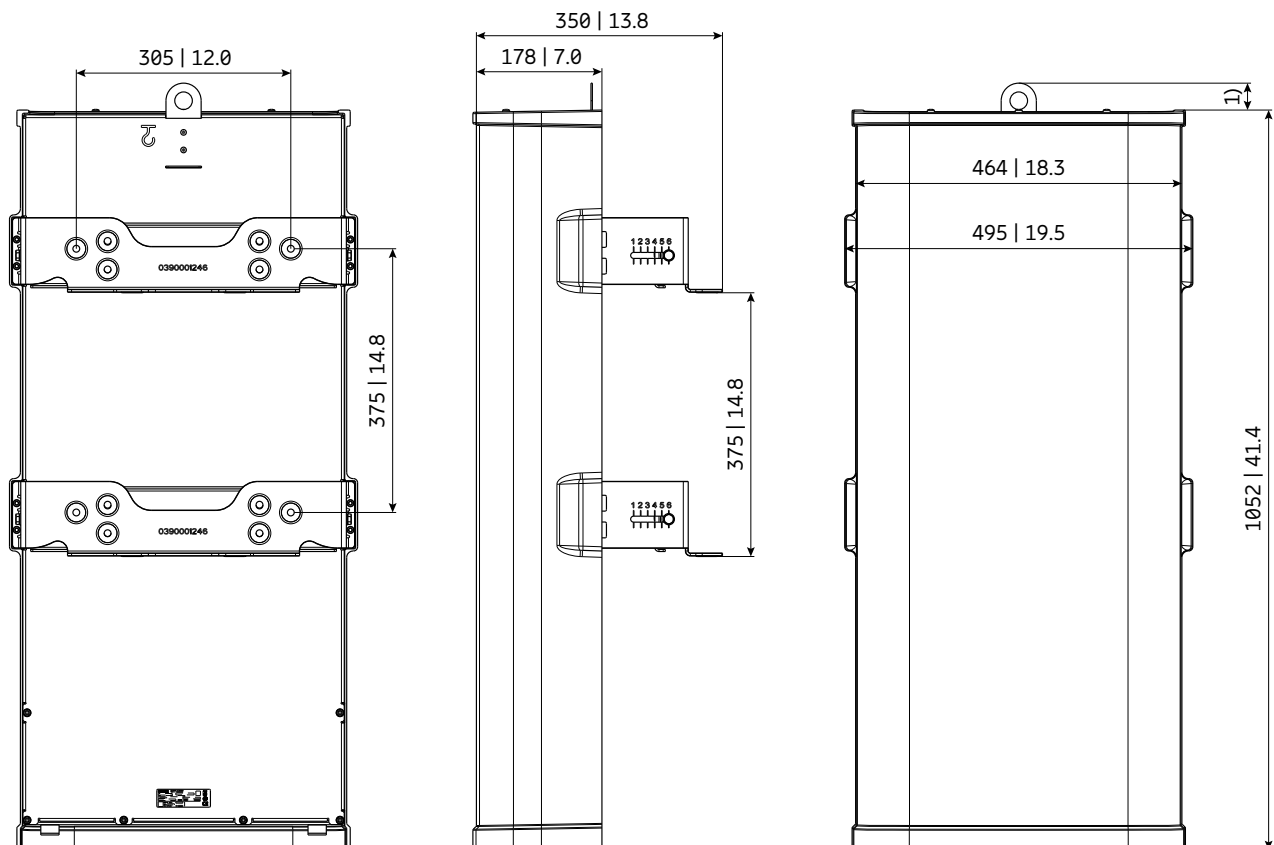
**Attention: This MIK is only compatible to 448 platform antennas**

#### Scope of supply

|        |  |
|--------|--|
| MIK    | Radome and windshield (windshield only needed for installation without active antenna) |
| Clamps | 2 units of clamps for 55-115 mm   2.2-4.5 inches diameter                              |
| Spacer | 2 spacers for passive antenna to get aligned with MIK                                  |

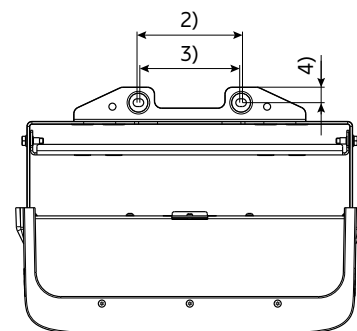
#### Accessories

| Product No. | Description | Mast diameter<br>mm   inches | Units per<br>antenna |
|-------------|-------------|------------------------------|----------------------|
| 85010097    | 2 clamps    | 110-220   4.3-8.7            | 1                    |



- 1) 38 | 1.5
- 2) 150 | 5.9
- 3) 142 | 5.6
- 4) 22 | 0.9

All dimensions in mm | inches





# Protection Cap

81610014

- Protection cap IP68 for 7-16 female connectors



[ericsson.com/antenna-system](https://ericsson.com/antenna-system)



Scan or [click](#)

|                   |    |                          |
|-------------------|----|--------------------------|
| Product No.       |    | 81610014                 |
| Material          |    | ABS PC                   |
| Application       |    | Indoor or outdoor (IP68) |
| Temperature range | °C | -30 ... +95              |
| Weight            | g  | 3                        |
|                   | lb | 0.007                    |
| Height            | mm | 16                       |
|                   | in | 0.63                     |
| Diameter          | mm | 32                       |
|                   | in | 1.26                     |





# Protection Cap

78211293

- Protection cap IP68 for 7-16 female connectors



[ericsson.com/antenna-system](https://ericsson.com/antenna-system)



Scan or [click](#)

|                    |         |                             |
|--------------------|---------|-----------------------------|
| <b>Product No.</b> |         | <b>78211293</b>             |
| Material           |         | Brass, silver -plated       |
| Application        |         | Indoor or outdoor (IP68)    |
| Temperature range  | °C   °F | -65 ... +165   -85 ... +329 |
| Weight             | g   lb  | 60   0.132                  |
| Diameter           | mm   in | 32   1.26                   |
| Height             | mm   in | 22   0.87                   |



# Protection Cap

78211297

- Protection cap IP 68 for 4.3-10 female connectors



[ericsson.com/antenna-system](https://ericsson.com/antenna-system)



Scan or [click](#)

|                        |         |                            |
|------------------------|---------|----------------------------|
| Product No.            |         | 78211297                   |
| Material               |         | metal                      |
| Application            |         | Indoor or outdoor (IP 68)  |
| Temperature range      | °C   °F | -55 ... +90   -67 ... +194 |
| Weight                 | g   lb  | 27.9   0.062               |
| Diameter               | mm   in | 24.8   0.97                |
| Height                 | mm   in | 17.3   0.68                |
| Max. torque tightening | Nm      | 5                          |



# Protection Cap for RET Spindle

85010004

- Packing unit: 5 pieces



[ericsson.com/antenna-system](https://ericsson.com/antenna-system)



Scan or [click](#)

# List of all products

The products are listed by product number in numerical order.

| Product No.     | Page | Product No. | Page | Product No. | Page | Product No. | Page |
|-----------------|------|-------------|------|-------------|------|-------------|------|
| 1/TSR48421/1000 | 856  | 78210588V02 | 728  | 78211180V43 | 504  | 78211461    | 540  |
| 1/TSR48421/10M  | 856  | 78210620V43 | 566  | 78211181V43 | 504  | 78211462    | 540  |
| 1/TSR48421/15M  | 856  | 78210621V43 | 566  | 78211275V43 | 665  | 78211463    | 540  |
| 1/TSR48421/2000 | 856  | 78210622V43 | 566  | 78211288V43 | 509  | 78211466    | 543  |
| 1/TSR48421/3000 | 856  | 78210623V43 | 566  | 78211288V44 | 509  | 78211468    | 546  |
| 1/TSR48421/5000 | 856  | 78210626V43 | 569  | 78211293    | 917  | 78211468V01 | 546  |
| 1/TSR48422/1000 | 856  | 78210628V43 | 572  | 78211297    | 919  | 78211470    | 522  |
| 1/TSR48422/15M  | 856  | 78210628V44 | 572  | 78211330V43 | 686  | 78211471    | 522  |
| 1/TSR48422/2000 | 856  | 78210660    | 549  | 78211340    | 654  | 78211472    | 522  |
| 1/TSR48422/3000 | 856  | 78210660V43 | 555  | 78211341    | 654  | 78211473    | 522  |
| 731651          | 865  | 78210661    | 549  | 78211348    | 657  | 78211476    | 525  |
| 732327          | 881  | 78210661V43 | 555  | 78211348V01 | 657  | 78211478    | 528  |
| 734360          | 879  | 78210662    | 549  | 78211400V43 | 640  | 78211478V01 | 528  |
| 734364          | 879  | 78210662V43 | 555  | 78211401V43 | 640  | 78211490    | 607  |
| 734365          | 879  | 78210663    | 549  | 78211402V43 | 640  | 78211491    | 607  |
| 737978          | 883  | 78210663V43 | 555  | 78211403V43 | 640  | 78211498    | 610  |
| 738546          | 865  | 78210669    | 552  | 78211404V43 | 640  | 78211498V01 | 610  |
| 742033          | 875  | 78210669V43 | 558  | 78211405V43 | 640  | 78211530    | 575  |
| 742034          | 875  | 78210850V01 | 781  | 78211407V43 | 643  | 78211531    | 575  |
| 742113          | 905  | 78210970V43 | 531  | 78211407V44 | 643  | 78211532    | 575  |
| 742192V02       | 478  | 78210971V43 | 531  | 78211408V43 | 643  | 78211533    | 575  |
| 78210430V43     | 668  | 78210972V43 | 531  | 78211408V44 | 643  | 78211536    | 578  |
| 78210473        | 814  | 78210973V43 | 531  | 78211430V43 | 514  | 78211538    | 581  |
| 78210475        | 817  | 78210974V43 | 531  | 78211431V43 | 514  | 78211538V01 | 581  |
| 78210484        | 809  | 78210975V43 | 531  | 78211438V43 | 517  | 78211560    | 619  |
| 78210506        | 766  | 78210978V43 | 534  | 78211438V44 | 517  | 78211561    | 619  |
| 78210507        | 769  | 78210978V44 | 534  | 78211450    | 613  | 78211562    | 619  |
| 78210517V44     | 692  | 78210979V43 | 537  | 78211451    | 613  | 78211563    | 619  |
| 78210526        | 774  | 78210990V44 | 695  | 78211452    | 613  | 78211568    | 622  |
| 78210527        | 772  | 78211000    | 783  | 78211453    | 613  | 78211568V01 | 622  |
| 78210536        | 775  | 78211055    | 785  | 78211458    | 616  | 78211570    | 625  |
| 78210583V43     | 675  | 78211056    | 785  | 78211458V01 | 616  | 78211571    | 625  |
| 78210587V02     | 724  | 78211107V02 | 698  | 78211460    | 540  | 78211574    | 625  |

# List of all products

The products are listed by product number in numerical order.

| Product No. | Page | Product No. | Page | Product No. | Page | Product No. | Page |
|-------------|------|-------------|------|-------------|------|-------------|------|
| 78211575    | 625  | 78211798    | 592  | 80010901    | 41   | 840590966   | 222  |
| 78211578    | 628  | 78211798V01 | 592  | 80010902    | 37   | 845350910   | 390  |
| 78211578V01 | 628  | 78211820    | 601  | 80010922    | 65   | 85010002    | 865  |
| 78211580    | 648  | 78211821    | 601  | 80010964    | 172  | 85010003    | 865  |
| 78211581    | 648  | 78211828    | 604  | 80010965    | 177  | 85010004    | 921  |
| 78211582    | 648  | 78211828V01 | 604  | 80010966    | 202  | 85010009    | 885  |
| 78211583    | 648  | 78211847    | 751  | 80010991    | 254  | 85010014    | 895  |
| 78211584    | 648  | 78211910V02 | 717  | 80010992    | 302  | 85010015    | 895  |
| 78211585    | 648  | 78211912V02 | 713  | 80020126    | 491  | 85010016    | 895  |
| 78211588    | 651  | 78410367    | 807  | 80020448    | 466  | 85010017    | 895  |
| 78211588V01 | 651  | 80010123V03 | 104  | 80020622    | 61   | 85010058    | 875  |
| 78211592    | 789  | 80010234    | 468  | 800372965   | 192  | 85010059    | 875  |
| 78211593    | 789  | 80010305V02 | 22   | 800372966   | 217  | 85010060    | 899  |
| 78211628    | 561  | 80010306V02 | 25   | 800372991   | 290  | 85010061    | 899  |
| 78211628V01 | 561  | 80010431    | 487  | 800372992   | 296  | 85010075    | 907  |
| 78211690    | 631  | 80010456V02 | 19   | 800372995   | 362  | 85010076    | 907  |
| 78211691    | 631  | 80010621V02 | 52   | 800442001   | 383  | 85010080    | 836  |
| 78211696    | 634  | 80010664    | 93   | 800442004   | 242  | 85010087    | 909  |
| 78211697    | 637  | 80010665V01 | 85   | 800442008   | 368  | 85010096    | 869  |
| 78211697V01 | 637  | 80010666V01 | 100  | 800442009   | 350  | 85010097    | 871  |
| 78211698    | 637  | 80010678    | 55   | 800442025   | 344  | 85010098    | 897  |
| 78211698V01 | 637  | 80010682    | 69   | 800442802   | 426  | 85010099    | 889  |
| 78211760    | 811  | 80010715    | 89   | 800442803   | 433  | 85010101    | 873  |
| 78211761    | 811  | 80010725    | 454  | 800482001   | 266  | 85010102    | 877  |
| 78211762    | 811  | 80010726    | 460  | 800482002   | 272  | 85010103    | 911  |
| 78211763    | 811  | 80010753    | 97   | 800482021   | 356  | 85010104    | 903  |
| 78211790    | 586  | 80010761    | 58   | 800482028   | 375  | 85010108    | 911  |
| 78211791    | 586  | 80010817    | 45   | 81610014    | 915  | 85010110    | 887  |
| 78211792    | 586  | 80010828V01 | 481  | 840370799   | 284  | 85010111    | 867  |
| 78211793    | 586  | 80010846    | 489  | 840370966   | 207  | 85010112    | 891  |
| 78211794    | 586  | 80010864    | 118  | 840480965   | 197  | 85010213V01 | 913  |
| 78211795    | 586  | 80010865    | 108  | 840480966   | 212  | 85010512    | 893  |
| 78211796    | 589  | 80010866    | 132  | 840590003   | 320  | 85010513    | 893  |

## List of all products

The products are listed by product number in numerical order.

| Product No. | Page | Product No.  | Page | Product No.  | Page | Product No.  | Page |
|-------------|------|--------------|------|--------------|------|--------------|------|
| 86010011    | 854  | K742263      | 875  | KRE1012563/1 | 152  | KRF102436/1  | 733  |
| 86010012    | 854  | K742317      | 875  | KRE1012564/1 | 158  | KRF102442/12 | 739  |
| 86010013    | 854  | KRC115032/6  | 793  | KRE1012565/1 | 187  | KRF102442/13 | 739  |
| 86010014    | 854  | KRC115032/7  | 793  | KRE1012566/1 | 237  | KRF102444/2  | 758  |
| 86010015    | 854  | KRC115108/1  | 795  | KRE1012567/1 | 260  | KRF102444/4  | 760  |
| 86010030    | 852  | KRE1012405/1 | 444  | KRE1012568/1 | 308  | KRF102446/2  | 756  |
| 86010032    | 854  | KRE1012406/1 | 79   | KRE1012570/1 | 472  | KRF102449/1  | 646  |
| 86010033    | 854  | KRE1012408/1 | 420  | KRE1012571/1 | 484  | KRF102449/2  | 646  |
| 86010046    | 838  | KRE1012409/1 | 408  | KRE1012572/1 | 470  | KRF102452/2  | 749  |
| 86010054    | 854  | KRE1012411/1 | 28   | KRE1012574/1 | 182  | KRF102452/3  | 747  |
| 86010101    | 799  | KRE1012412/1 | 48   | KRE1012575/1 | 278  | KRF102452/4  | 747  |
| 86010103    | 799  | KRE1012413/1 | 128  | KRE1012581/1 | 142  | KRF102456/1  | 745  |
| 86010105    | 799  | KRE1012451/1 | 34   | KRF102301/2  | 507  | KRF201483/1  | 764  |
| 86010129    | 842  | KRE1012452/1 | 72   | KRF102301/9  | 507  | KRF201483/2  | 764  |
| 86010131    | 797  | KRE1012458/1 | 164  | KRF102301/10 | 507  | KRY112144/2  | 678  |
| 86010136    | 801  | KRE1012473/1 | 232  | KRF102352/1  | 741  | KRY112227/12 | 701  |
| 86010137    | 801  | KRE1012475/1 | 395  | KRF102352/2  | 741  | KRY112228/11 | 689  |
| 86010138    | 801  | KRE1012476/1 | 248  | KRF102352/3  | 741  | KRY112234/1  | 704  |
| 86010148V01 | 826  | KRE1012487/1 | 332  | KRF102352/4  | 741  | KRY112235/1  | 707  |
| 86010150    | 803  | KRE1012493/1 | 31   | KRF102378/12 | 512  | KRY112236/1  | 721  |
| 86010151    | 803  | KRE1012520/1 | 326  | KRF102386/8  | 564  | KRY112238/1  | 710  |
| 86010152    | 803  | KRE1012523/1 | 75   | KRF102395/1  | 743  | KRY1124159/2 | 671  |
| 86010153V01 | 828  | KRE1012526/1 | 314  | KRF102405/2  | 520  | KRY112442/16 | 683  |
| 86010154    | 844  | KRE1012527/1 | 338  | KRF102407/2  | 597  | KRY112488/12 | 678  |
| 86010155    | 846  | KRE1012528/1 | 414  | KRF102409/1  | 595  | KRY112587/16 | 673  |
| 86010158    | 840  | KRE1012531/1 | 401  | KRF102409/2  | 595  | KRY121108/1  | 850  |
| 86010162    | 848  | KRE1012538/1 | 449  | KRF102409/3  | 595  | SXA2163025/1 | 901  |
| 86010165    | 830  | KRE1012540/1 | 227  | KRF102415/1  | 754  |              |      |
| 86010165RAE | 832  | KRE1012557/1 | 441  | KRF102415/2  | 754  |              |      |
| 86010167    | 834  | KRE1012559/1 | 123  | KRF102419/1  | 584  |              |      |
| 86020136    | 805  | KRE1012560/1 | 113  | KRF102432/4  | 599  |              |      |
| 86020137    | 805  | KRE1012561/1 | 137  | KRF102433/1  | 735  |              |      |
| 86020138    | 805  | KRE1012562/1 | 147  | KRF102433/4  | 737  |              |      |



# Phase-out information



We continuously check the validity of our portfolio and compare it with the needs of our customers. Products that are no longer needed are phased out. We want to always provide you with the latest status.

Therefore, you will find the corresponding information on the product page in [Portfolio & Commerce](#).

On the details page, a discontinuation is displayed in the status. In addition, detailed information can be found in the "Downloads" section.

And as always: Your sales contact will inform you first and discuss alternatives.

For further questions please reach out to your direct sales contact or [here](#).

## Antenna 2300 0L 4M 1.5m

80010728

8-Port Antenna 4HB 1.5m 65°; 2x1710-2170 MHz, 17.5dBi; 2x2490-2690 MHz, 18dBi

STATUS ⓘ

Orderable, phase out ongoing

CHOOSE QUANTITY

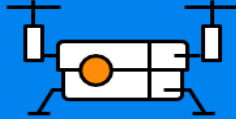
1 Request price Add to Cart Compare

Specifications
Downloads
Download all ▼

| TITLE  | DOWNLOAD | DATE         | REVISION | SIZE(MB) |
|--|----------|--------------|----------|----------|
| <b>Antenna Pattern</b>   |          |              |          |          |
| Pattern file 80010728  | ZIP      | Nov 10, 2020 | A        | 1.35     |
| Pattern file 80010728 planet   | ZIP      | Sep 4, 2020  | A        | 1.40     |
| Pattern file 80010728 tems   | ZIP      | Sep 17, 2020 | A        | 1.19     |
| <b>Commercial Data Sheet</b>   |          |              |          |          |
| Datasheet Antenna 80010728 <span style="color: #28a745; font-weight: bold;">Updated</span> | PDF      | Oct 27, 2022 | B        | 0.51     |
| <b>Product Information</b>   |          |              |          |          |
| 2022-06 Product phase-outs until June 2023   | PDF      | Jun 30, 2022 | B        | 0.07     |

# Ease antenna installation

Availability of required information during installation and maintenance of our products is an essential issue.



We want to ensure you have it immediately and easily available on site.

That is why we provide ALL related product information via just one QR-code. Whether on the label of your next Ericsson Antenna System product or right here in the catalog – just one scan away\*.

\*Recommended is the current version of the Ericsson Product Information Assistant from your Play Store or Apple Store.



Ericsson enables communications service providers to capture the full value of connectivity. The company's portfolio spans Networks, Digital Services, Managed Services, and Emerging Business and is designed to help our customers go digital, increase efficiency and find new revenue streams. Ericsson's investments in innovation have delivered the benefits of telephony and mobile broadband to billions of people around the world. The Ericsson stock is listed on Nasdaq Stockholm and on Nasdaq New York.  
[www.ericsson.com](http://www.ericsson.com)

Ericsson Antenna Technology Germany GmbH  
Klepperstraße 26  
83026 Rosenheim  
Germany  
Tel: +49-(0)8031-184-0  
[www.ericsson.com](http://www.ericsson.com)  
[mobilcom.eag@ericsson.com](mailto:mobilcom.eag@ericsson.com)  
Registration number HRB 27988, registered office in Rosenheim/Germany